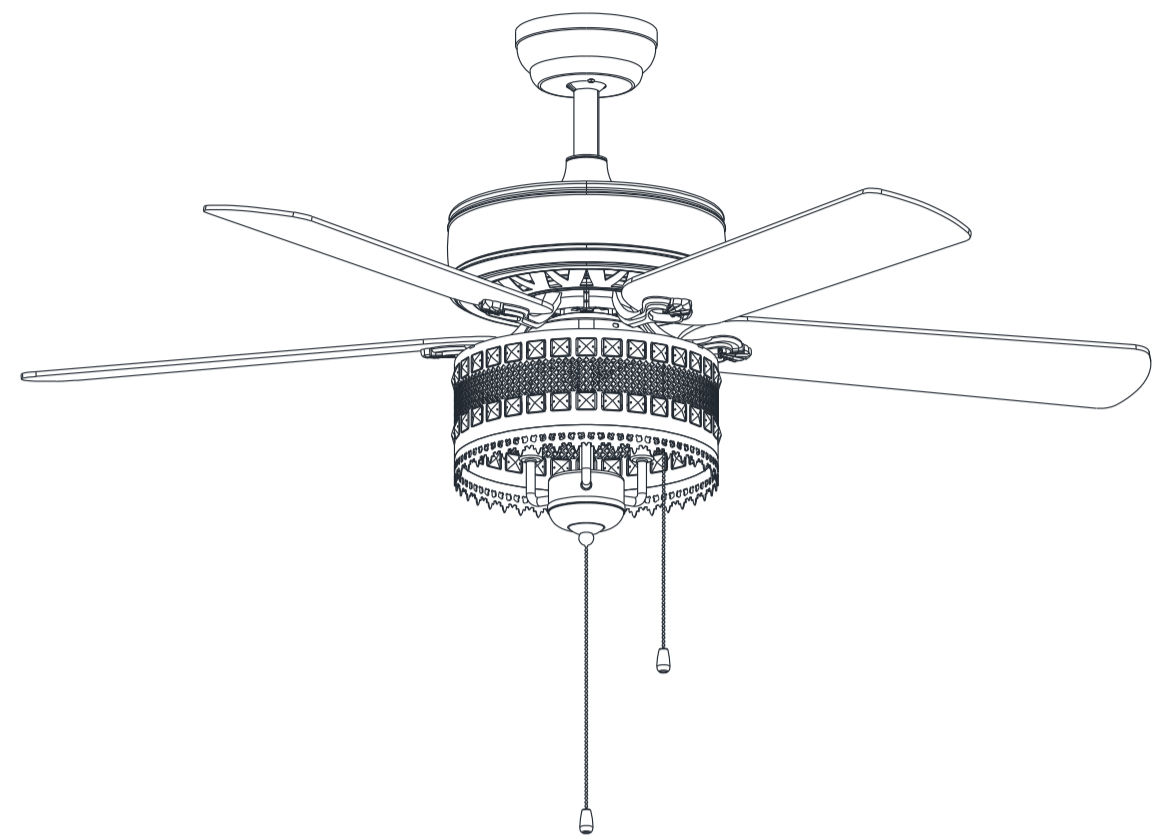


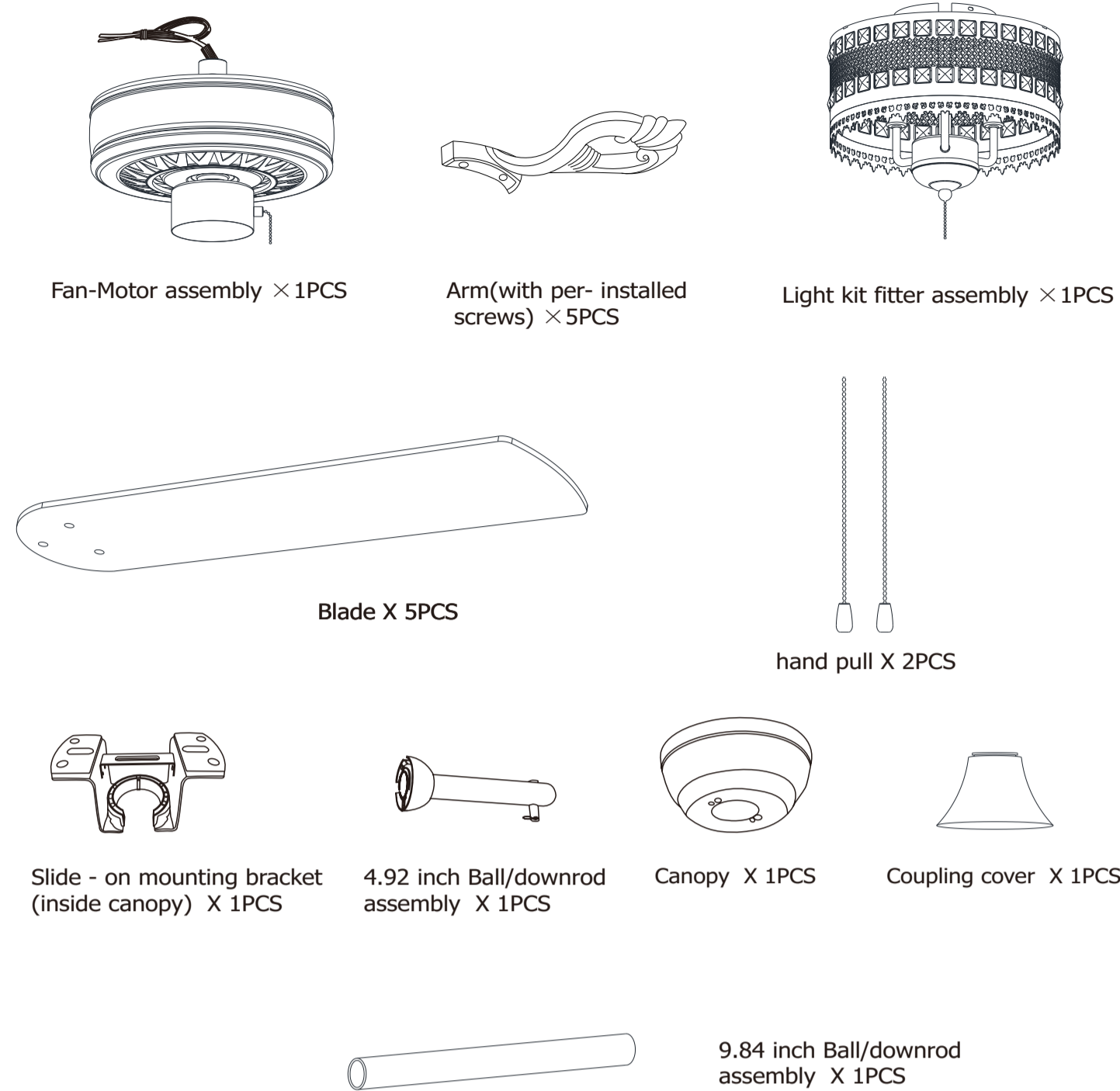
CUCULIDAE

CEILING FAN

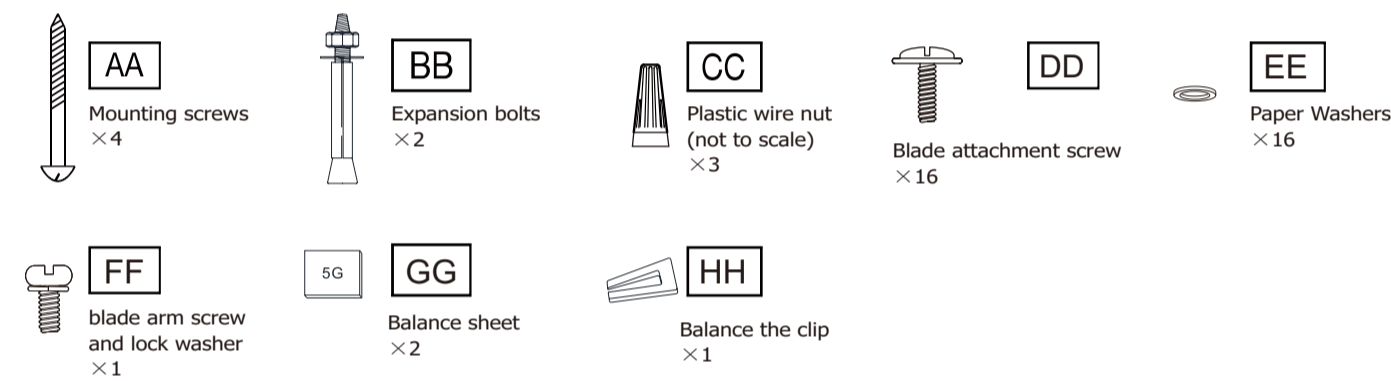


52-INCH DEROCATE CEILING FAN USE AND CARE GUIDE

Pre-Installation

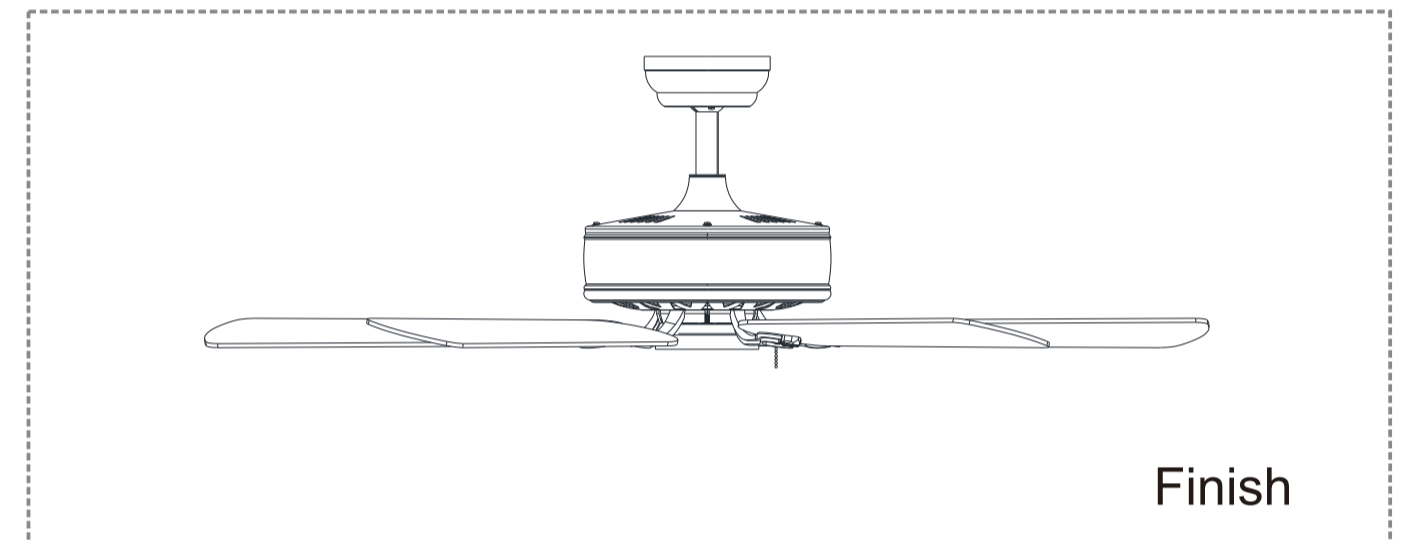
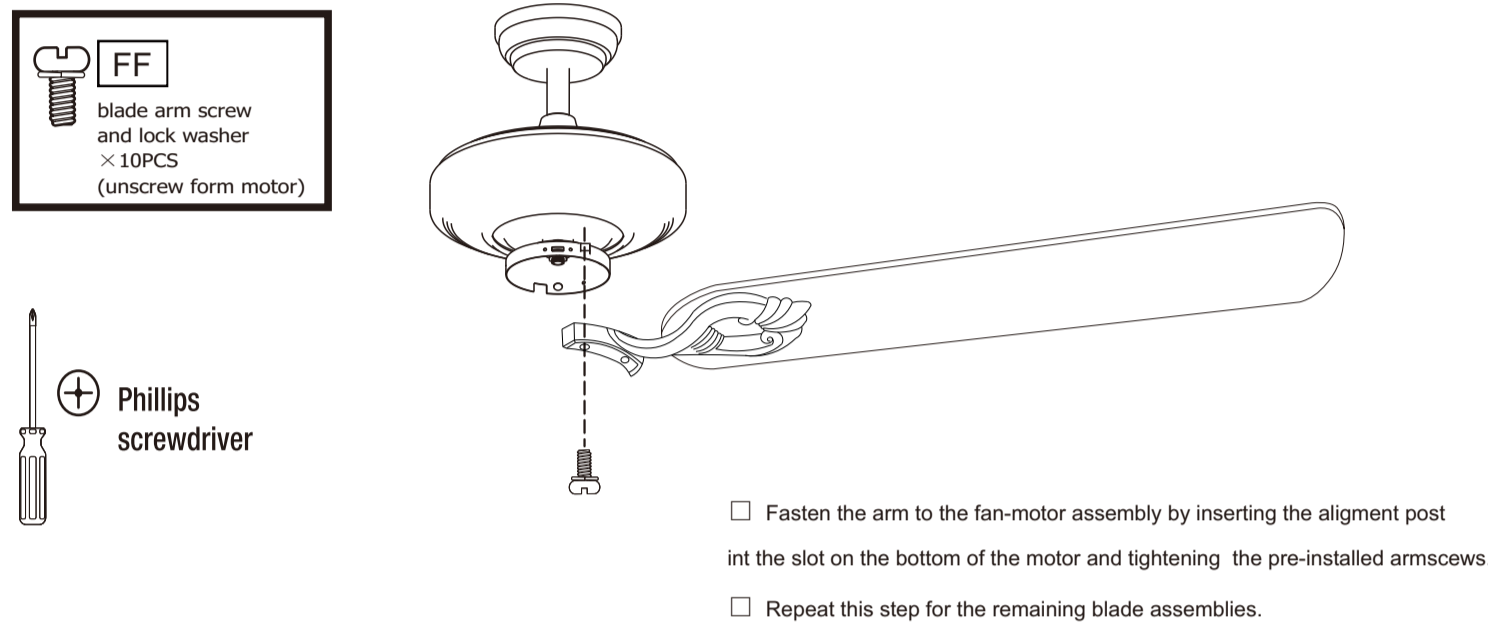
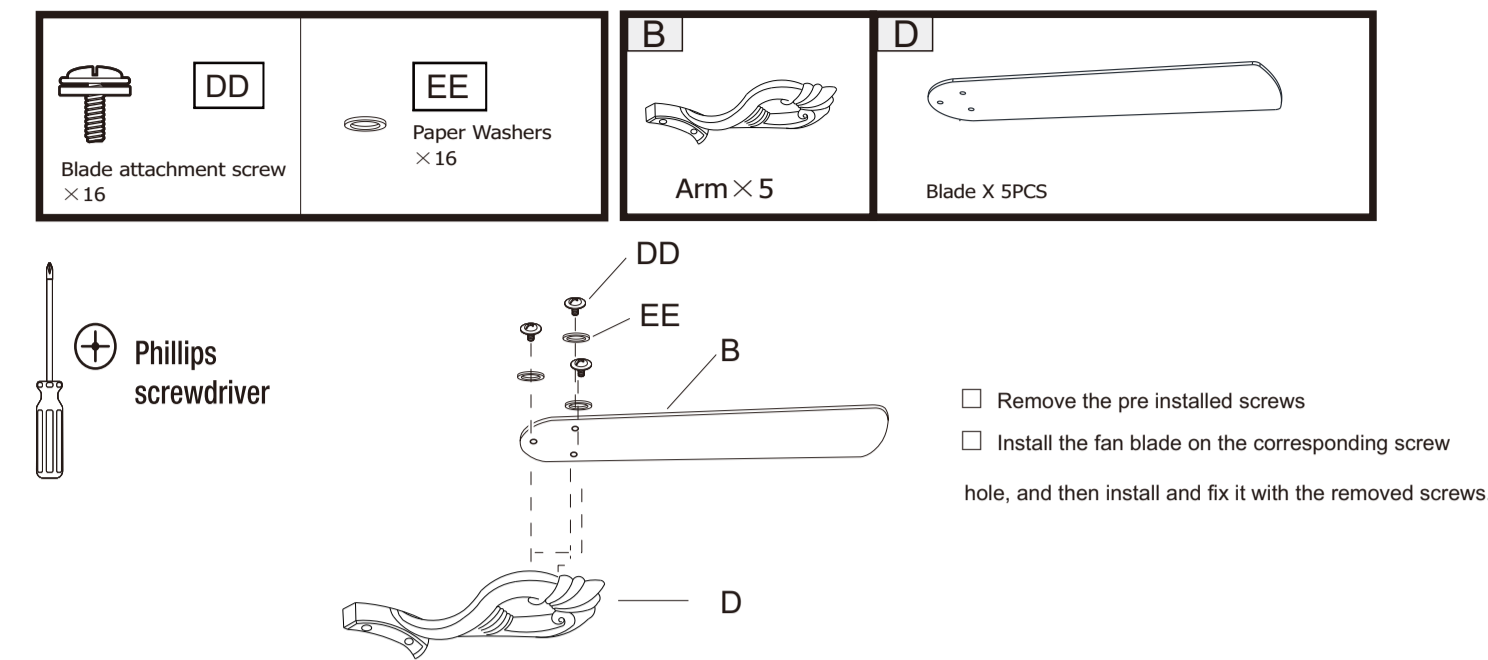


Parts Kit

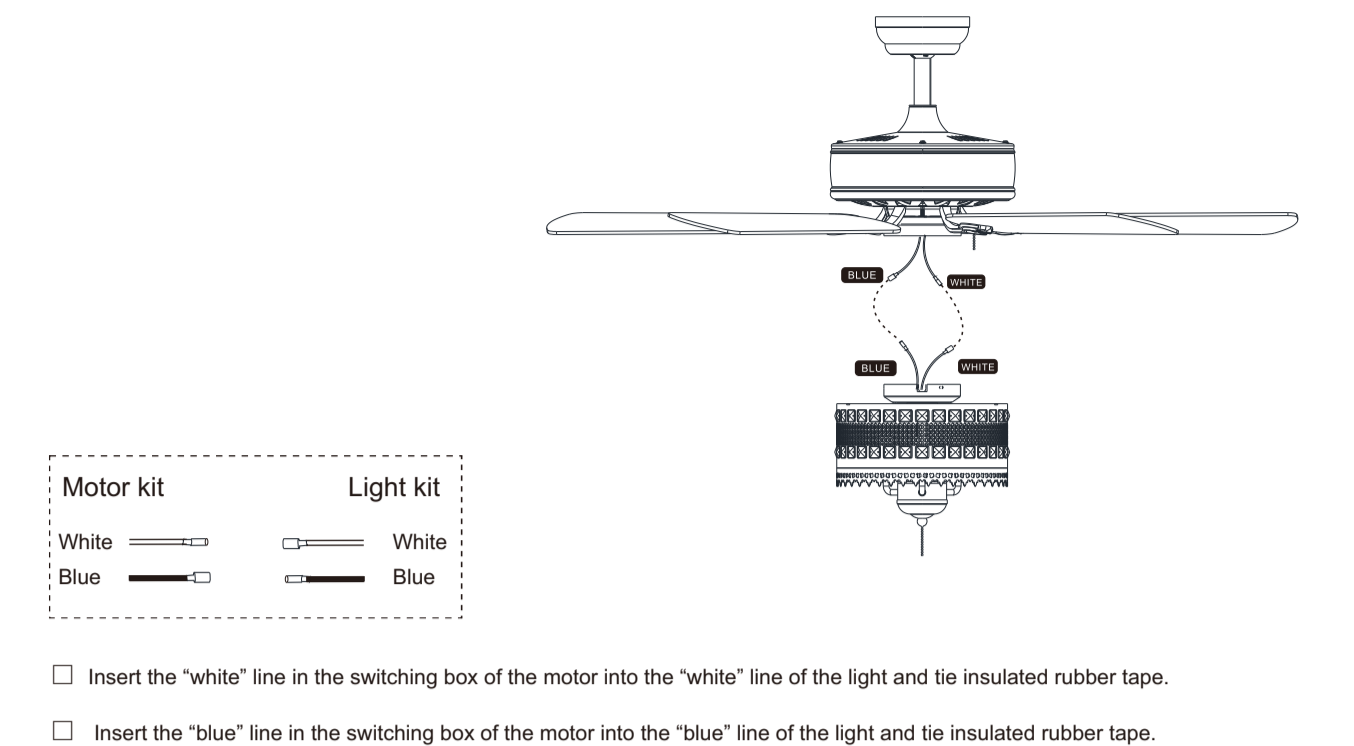


NOTE Hardware not shown to actual size.

Fastening the blade arms to the motor



Assembly-Attaching the Lights

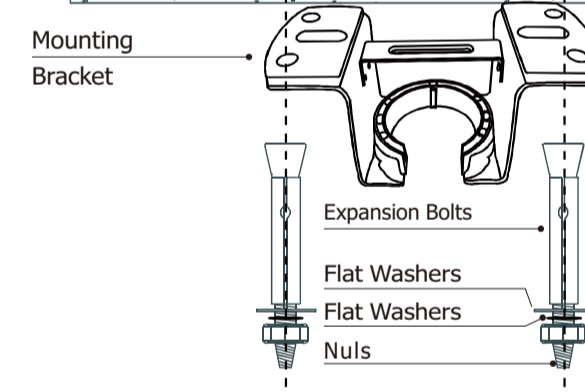


- Take the wire into the switching box of the motor.
- Align the opening of switching box of the light at switch locking position of the positive and negative rotation of the motors with the box.
- Place the cover screw in the screw of the switching box.

Y52CAC3001-CH

Installation of the hanging bracket

CONCRETE CEILING



For concrete ceiling, use the percussion bit with diameter 8mm to drill holes according to the length of expansion screws. Then use the attached expansion screws to fix the hanging bracket onto the ceiling (selection is made according to actual requirements of the customers).

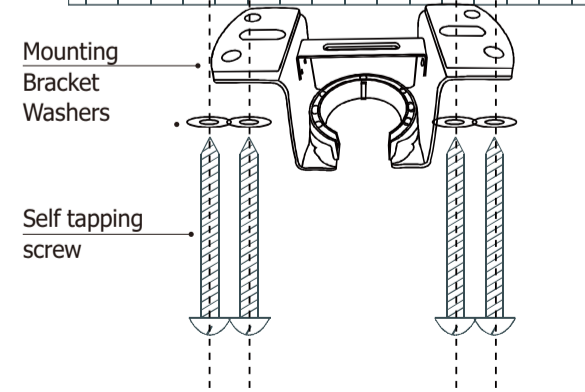
STEP 1 A-CONCRETE CEILING

SWITCH OFF THE ELECTRICAL MAINS AT THE CIRCUIT BREAKER FUSE BOX.

- Use the Mounting Bracket as a guide, mark the spots where the 4 Expansion Bolts will be drilled.
- Remove the Mounting Bracket, drill 2 holes and insert 2 Expansion Bolts into the concrete ceiling, install the mounting bracket and secure with Flat Washers, Spring Washers and Nuts.

IMPORTANT: SCREWS & NUTS MUST BE TIGHTENED TILL SNUG

WOODEN CEILING



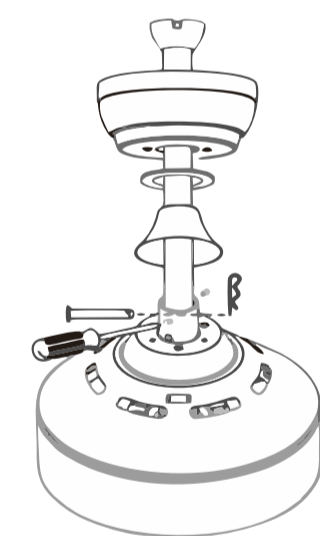
For wooden ceiling, use wood screw to drill on the wooden beam or the "junction box" to fix the hanging bracket (selection is made according to actual requirements of the customers).

STEP 2 A-WOODEN CEILING

SWITCH OFF THE ELECTRICAL MAINS AT THE CIRCUIT BREAKER FUSE BOX.

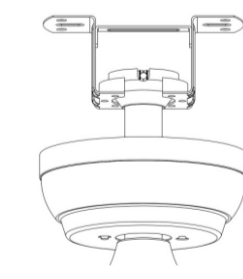
- Use the Mounting Bracket as a guide, mark the spots where the 4 Self Tapping Screws will be drilled.
- Remove the Mounting Bracket, drill 4 holes for 3MM diameter, install the mounting bracket onto wooden ceiling with the 4 Self Tapping Screws & Washers

Install downrod assembly



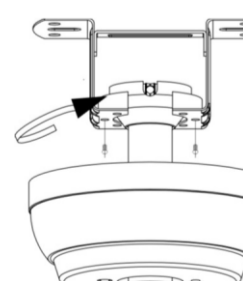
- Carefully feed the motor wires up through the downrod
- Align the holes and replace hanger pin and locking pin.
- Tighten the two collar setscrews.
- Slip coupling cover, canopy cover and canopy onto the downrod.

Hang the fan



- Lift the fan motor assembly up to the mounting bracket and seat the hanger ball in the mounting bracket socket. Rotate the fan motor assembly until the check groove drops into the registration slot and seats firmly. The downrod should not rotate if this is done correctly

Install canopy



- Ensure the loosened screws is inserted into the key holes on the mounting bracket.
- Carefully raise the canopy up to the mounting bracket. Rotate the canopy clockwise.
- Secure the canopy by replacing the screws previously removed and tightening the screw previously loosened
- Place the canopy cover (if applicable) and rotate the canopy cover clockwise until it locks into position.

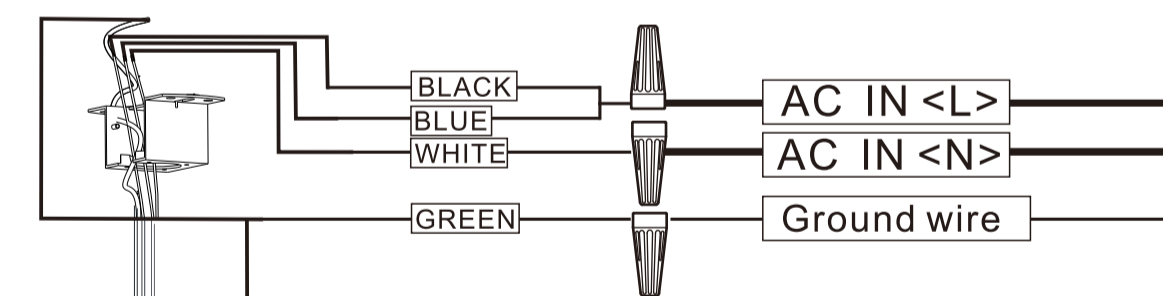
Making the electrical connections

WARNING: Each wire not supplied with this fan is designed to accept up to one 12-gauge house wire and two wires from the fan. If you have larger than 12-gauge house wiring or more than one house wire to connect to the fan wiring, consult an electrician for the proper size wire nuts to use.

WARNING: Each wire not supplied with this fan is designed to accept up to one 12-gauge house wire and two wires from the fan. If you have larger than 12-gauge house wiring or more than one house wire to connect to the fan wiring, consult an electrician for the proper size wire nuts to use.

WARNING: Remove the rubber motor stops on the bottom of the fan before installing the blades or testing the motor.

IMPORTANT: Use the plastic wire connectors (BB) supplied with your fan. Secure the connectors with electrical tape and ensure there are no loose strands or connections.

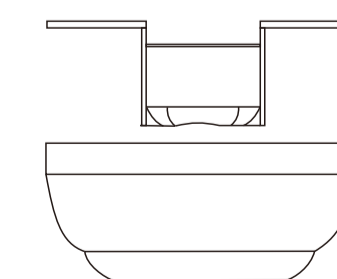


- The motor "green" wire to the "Ground wire" wire from outside Outlet Box.
- The motor "white" wire to the "AC IN <N>" wire from outside Outlet Box.
- The motor "black" wire to the "blue" wire to the "AC IN <L>" wire from outside Outlet Box.
- Finally, put the connected wires in the hanger.

<Hand Pull Chain ONLY>

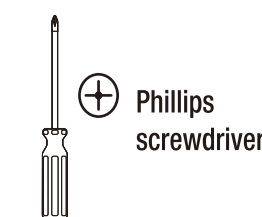
Assembly - Hanging the Fan (continued)

Preparing for mounting

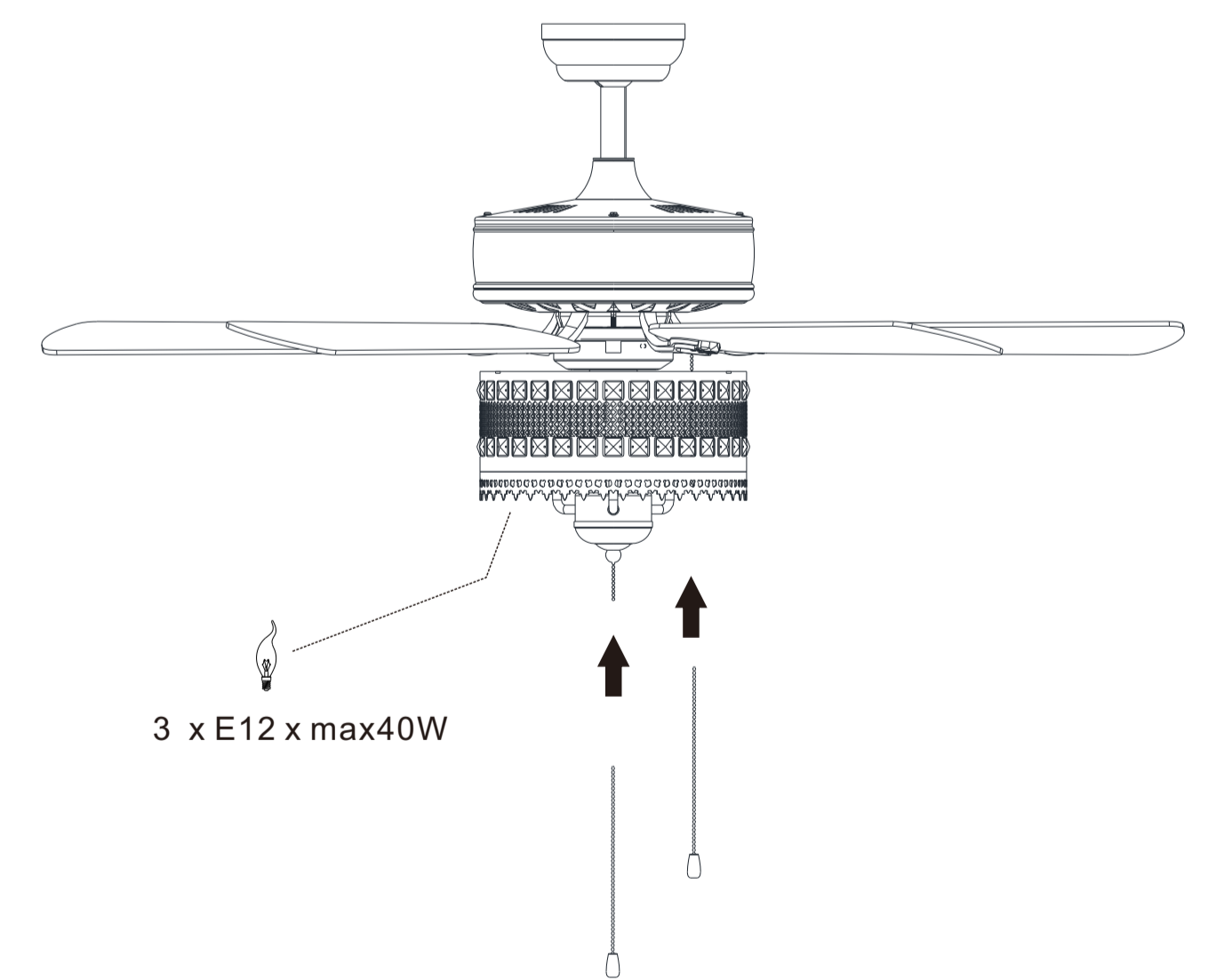


<Hand Pull Chain ONLY>

- Remove the mounting bracket from the canopy by loosening the two canopy screws located in the L shaped slots.
- Remove and save the two canopy screws in the round holes. This will enable you to remove the mounting bracket



Use of hand pull chain



3 x E12 x max40W

- knot the chain to the excessive switch chain (pull rope only)
- knot the appointed crystal to the appointed place.
- install the bulb to the lamp holder.