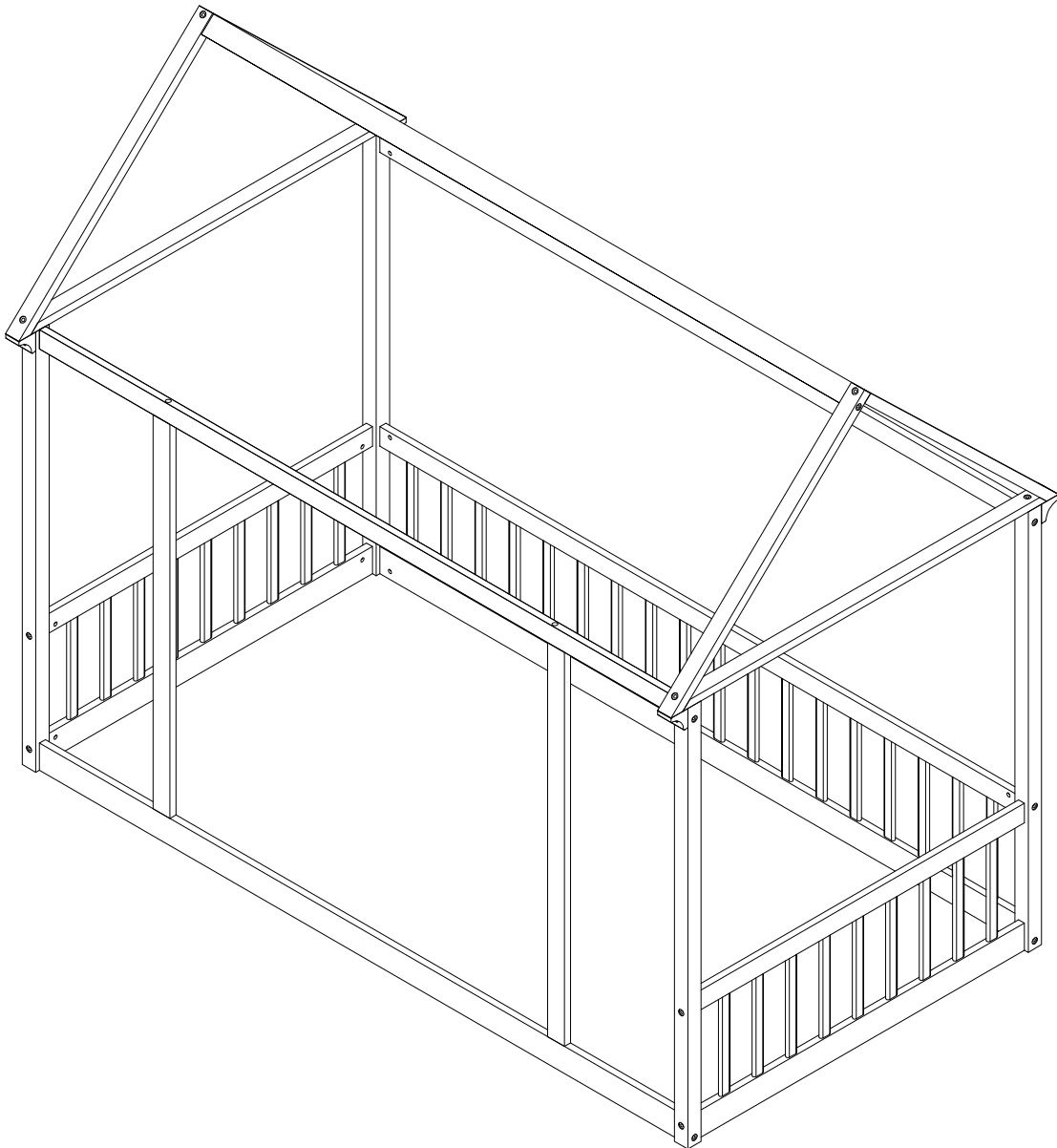


ASSEMBLY INSTRUCTION
SKU CODE: (BW00054)

TWIN HOUSE BED

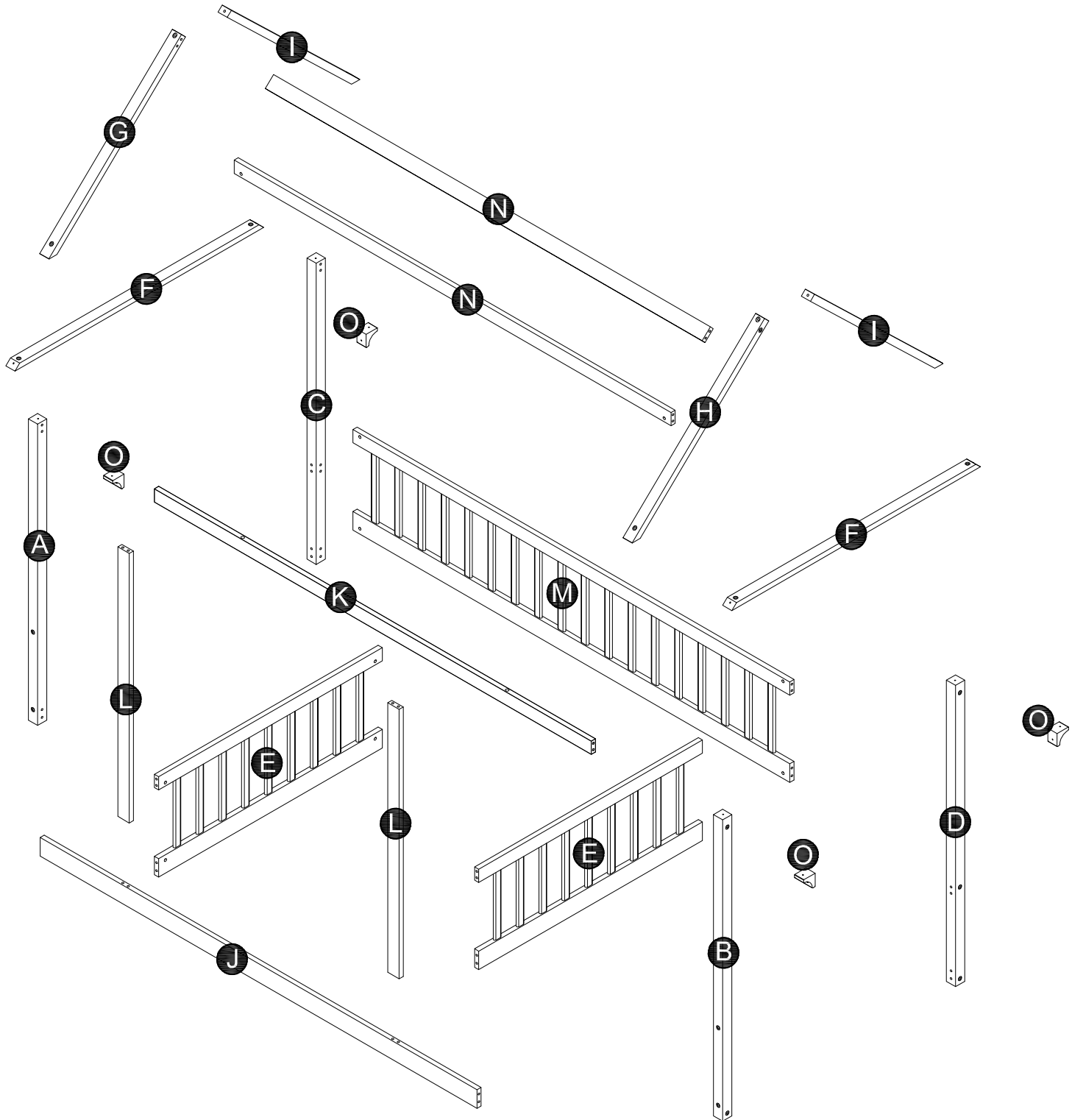
NOTE : Do Not Fully Tighten Screws until Fully Assembled



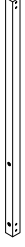
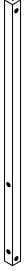


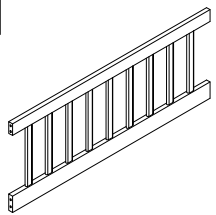
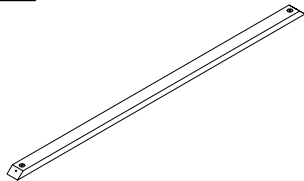
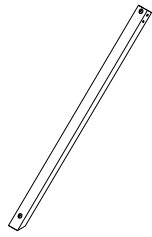
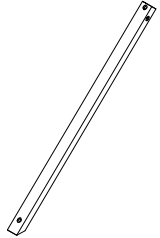
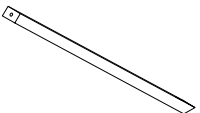
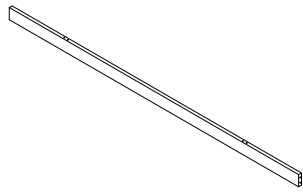
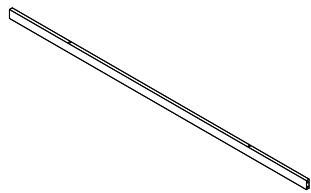

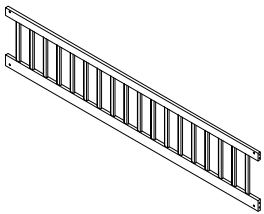
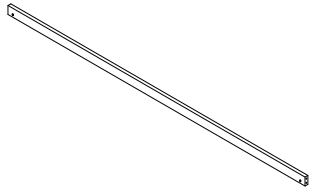
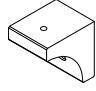
IMPORTANT NOTE

1. PLACE ALL PARTS ON A CLEAN AND SMOOTH SURFACE SUCH AS A RUG OR CARPET TO AVOID THE PARTS FROM BEING SCRATCHED.
2. BEFORE YOU BEGIN, KINDLY FOLLOW THE ASSEMBLY INSTRUCTIONS STEP BY STEP DO NOT TIGHTEN ALL SCREWS AND BOLTS UNTIL THE BED IS FULLY SET-UP

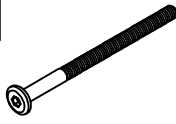
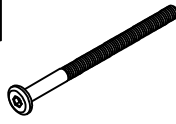
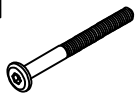
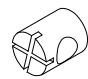
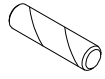
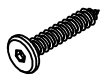
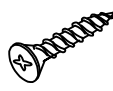

Detail View



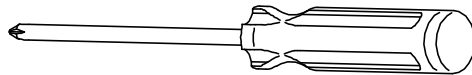
Note : Do Not Fully Tighten Screws until Fully Assembled

A		B	
	Leg (Left Front) - 1pc		Leg (Right Front) - 1pc
C		D	
	Leg (Left Back) - 1pc		Leg (Right Back) - 1pc
E		F	
	Frame HB/FB - 2pcs		Upper horizontal bar- 2pcs
G		H	
	Upper (Left front)- 1pc		Upper (Right front)- 1pc
I		J	
	Upper (Back) - 2pcs		Rail(Front) - 1pc
K		L	
	Upper Horizontal (front) - 1pc		Vertical guard rail (front) - 2pcs
M		N	
	Long guard rail (Back) - 1pc		Horizontal bar (Top,Back) - 2pcs
O			
	Corner bar (Front,Back) - 4pcs		

Note : Do Not Fully Tighten Screws until Fully Assembled




<p>1</p>  <p>(Ø15)1/4" * 80 mm Hex-Head bolts 20 pcs</p>	<p>2</p>  <p>(Ø12)1/4" * 90 mm Hex-Head bolts 4 pcs</p>	<p>3</p>  <p>(Ø15)1/4" * 65 mm Hex-Head bolts 2 pcs</p>	<p>4</p>  <p>Ø10 * 1/4"*12mm Horizontal-Hole bolts 26 pcs</p>	<p>5</p>  <p>Ø8*30 mm Wood dower 24 pcs</p>
<p>6</p>  <p>(Ø15) 1/4" * 45 mm Hex-Head bolts 8 pcs</p>	<p>7</p>  <p>M4 x 25 mm Wood Screws 8 pcs</p>	<p>8</p>  <p>(1/4)4.5*58mm Allen key 1 pc</p>		

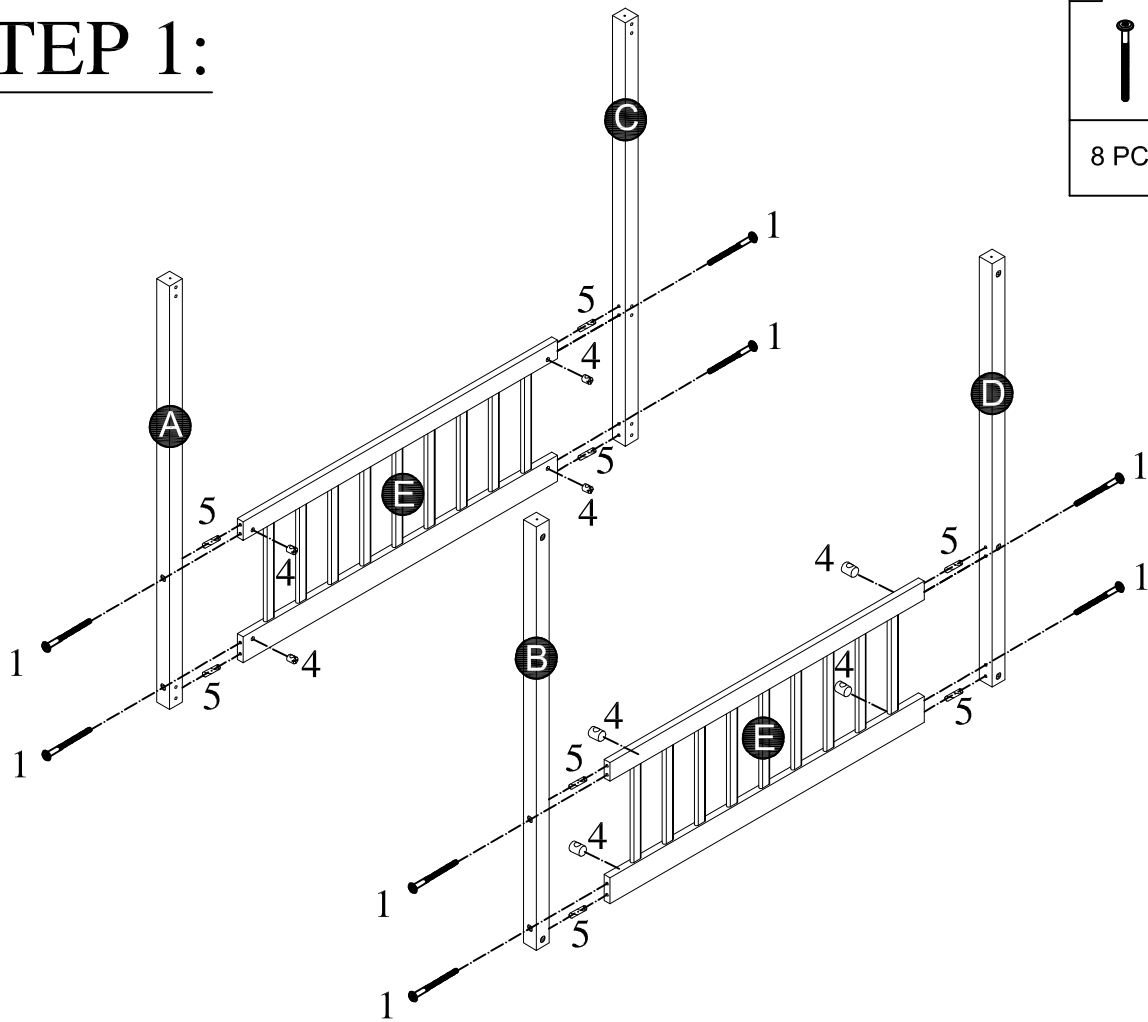
ASSEMBLY TOOLS REQUIRED (NOT INCLUDED)




PLEASE BE CAREFUL DO NOT DAMAGE THE HOLE POSITION WHEN YOU USE POWER TOOLS !

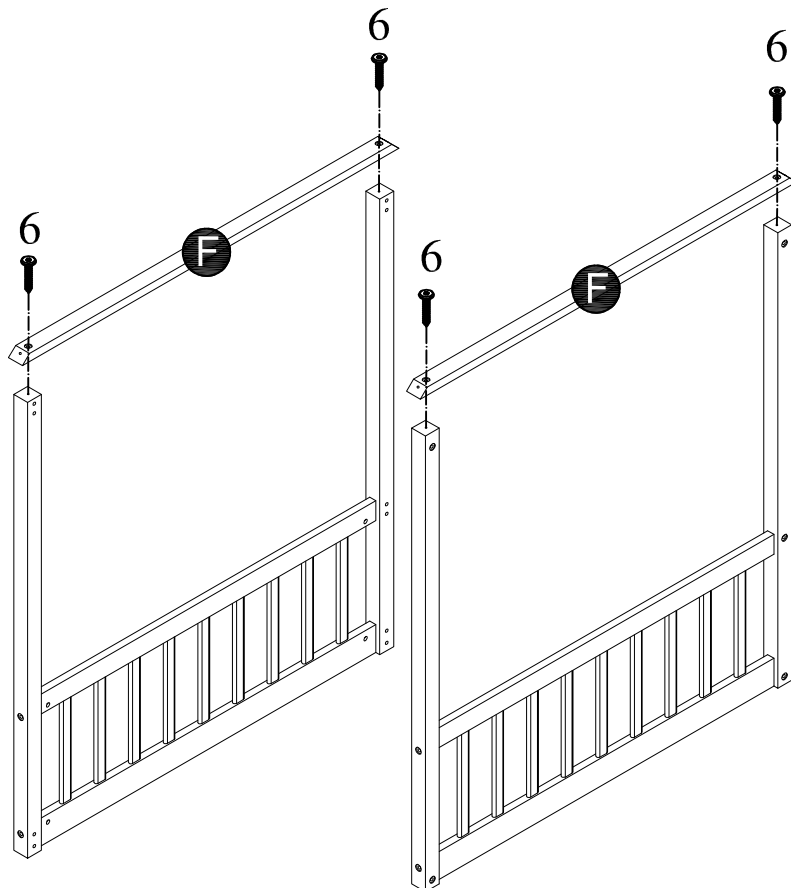
STEP 1:

1	4	5
		
8 PCS	8 PCS	8 PCS

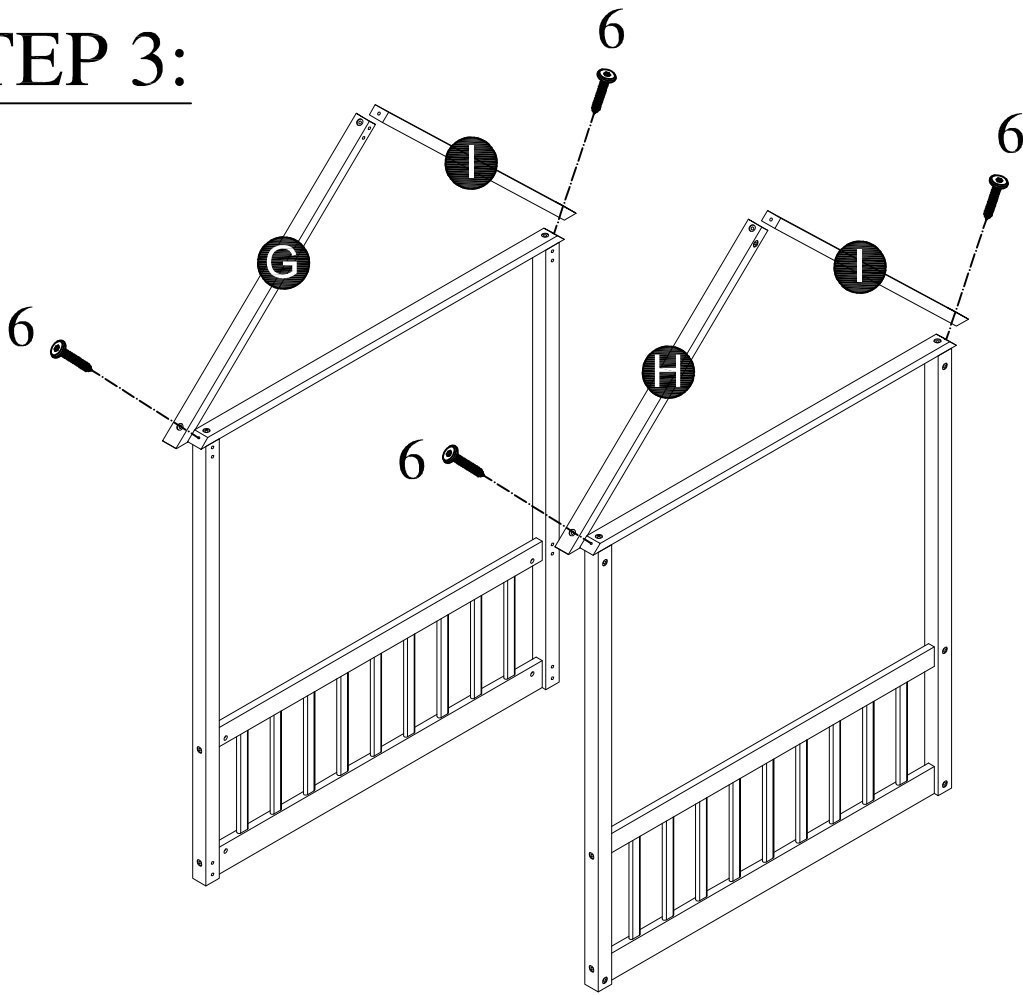


STEP 2:

6

4 PCS



STEP 3:

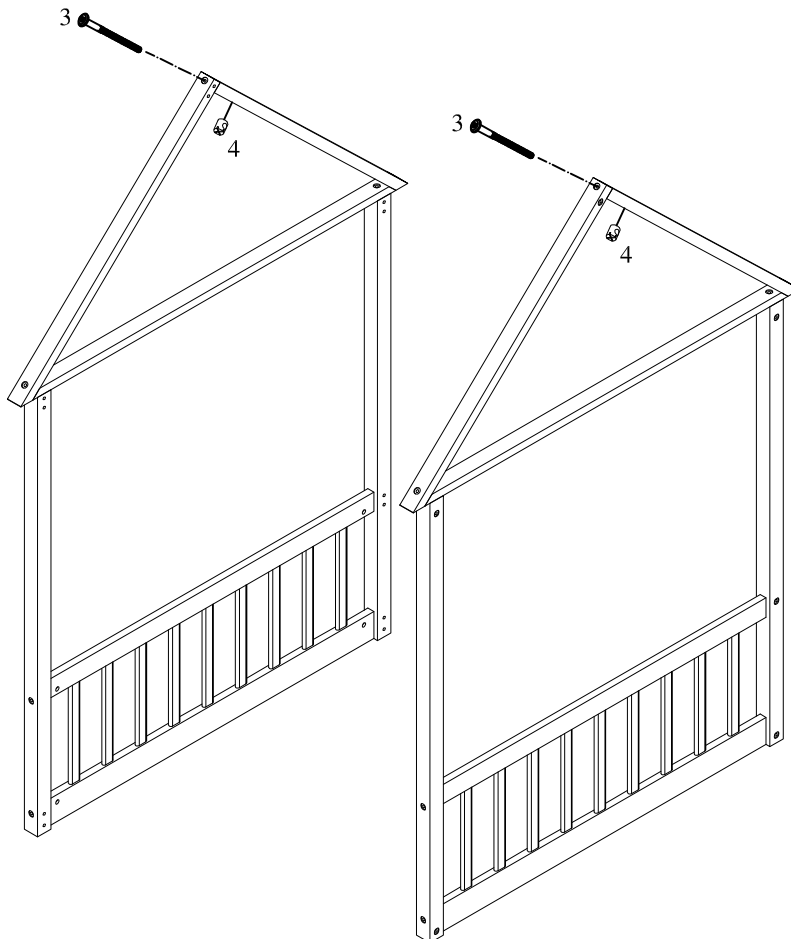


6



4 PCS

STEP 4:



3



2 PCS

4



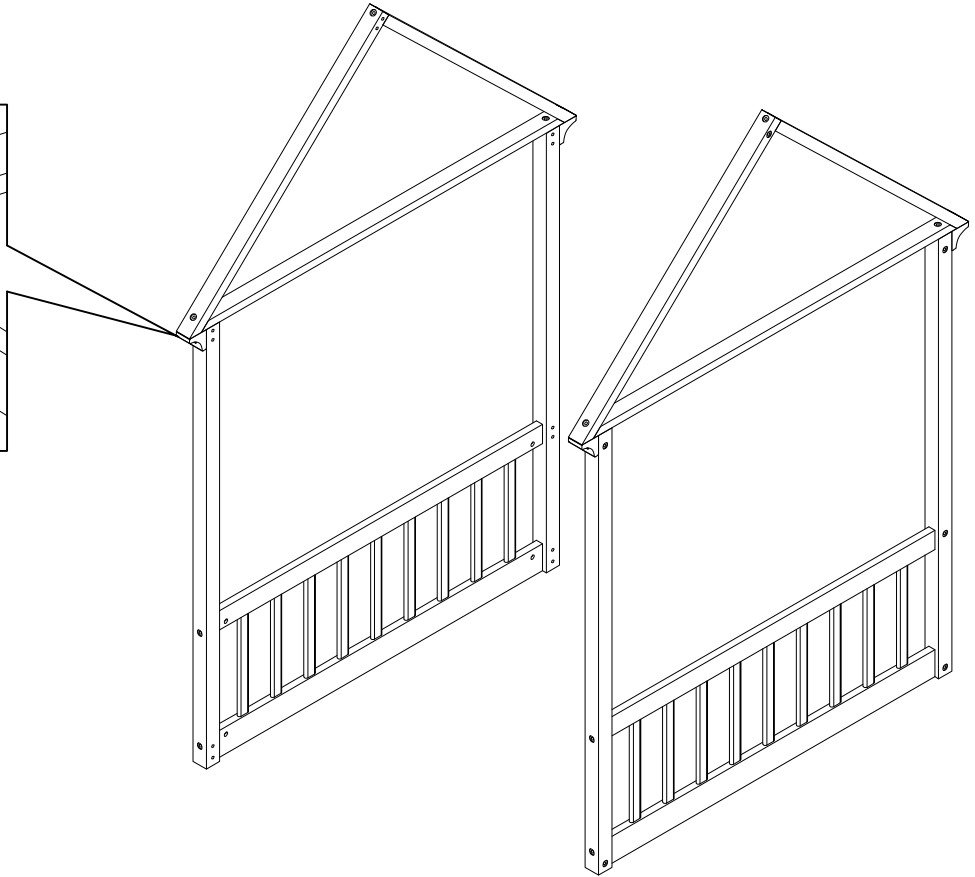
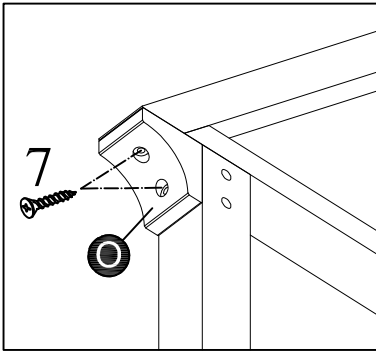
2 PCS

STEP 5:

7



8 PCS



STEP 6:

2

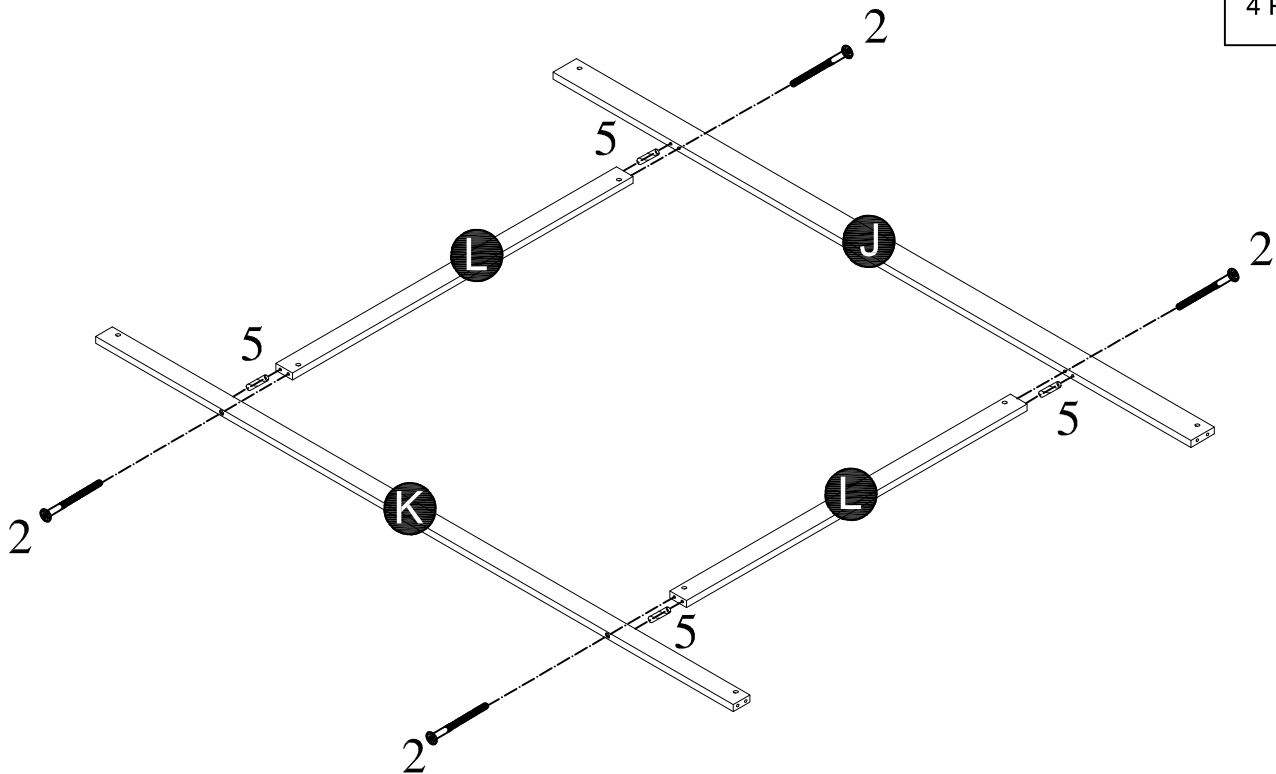


4 PCS




4

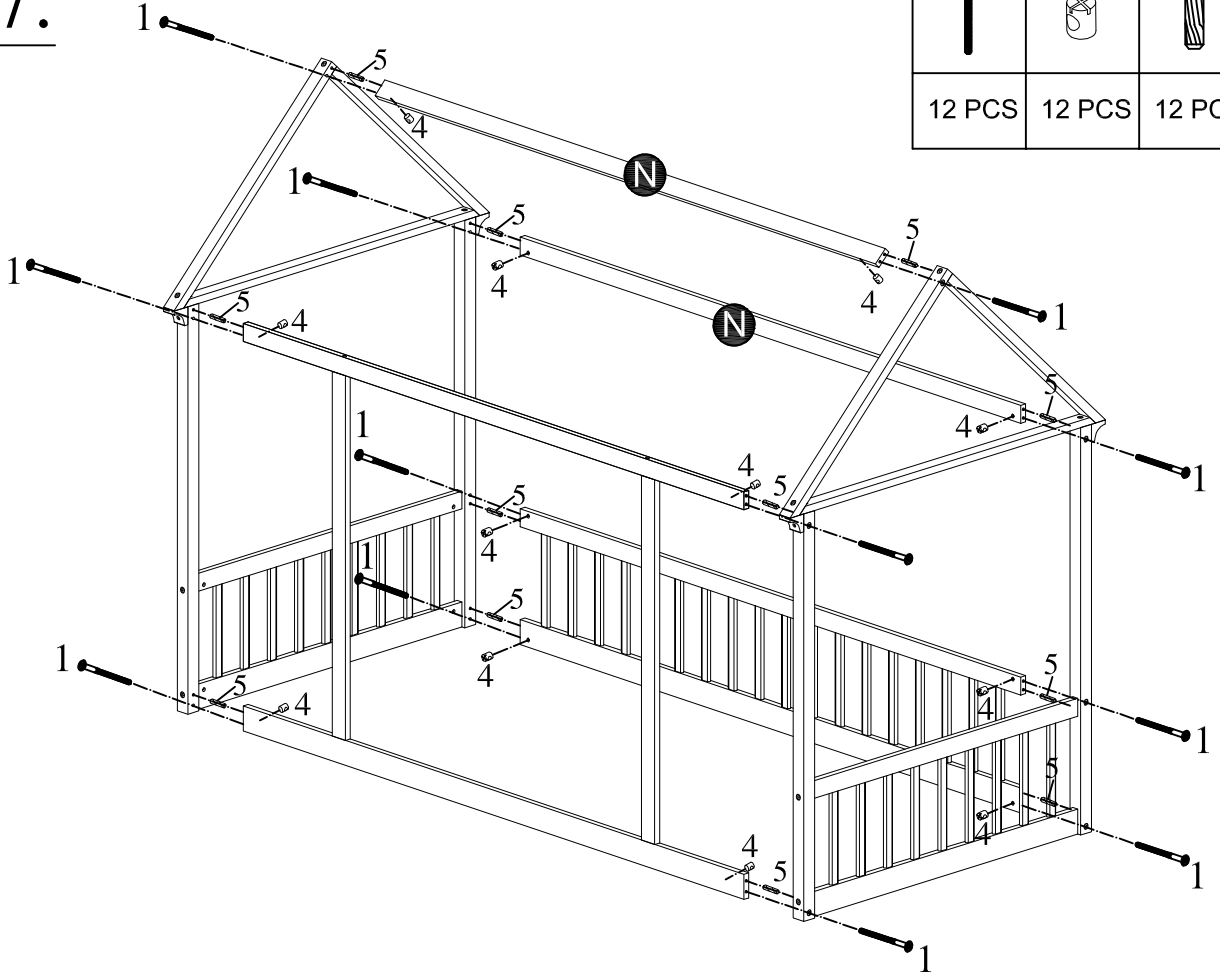


4 PCS



STEP 7:

1	4	5
		
12 PCS	12 PCS	12 PCS



COMPLETED:

