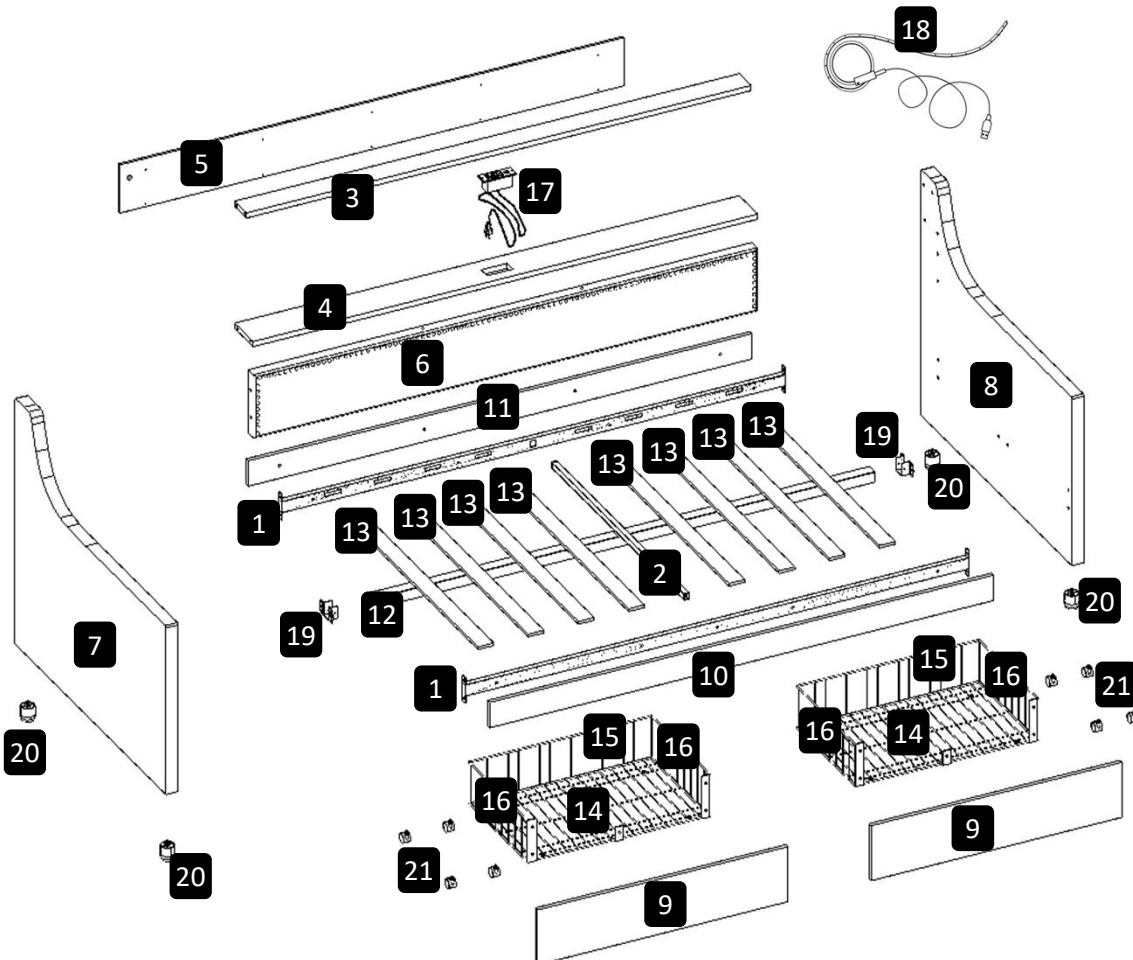
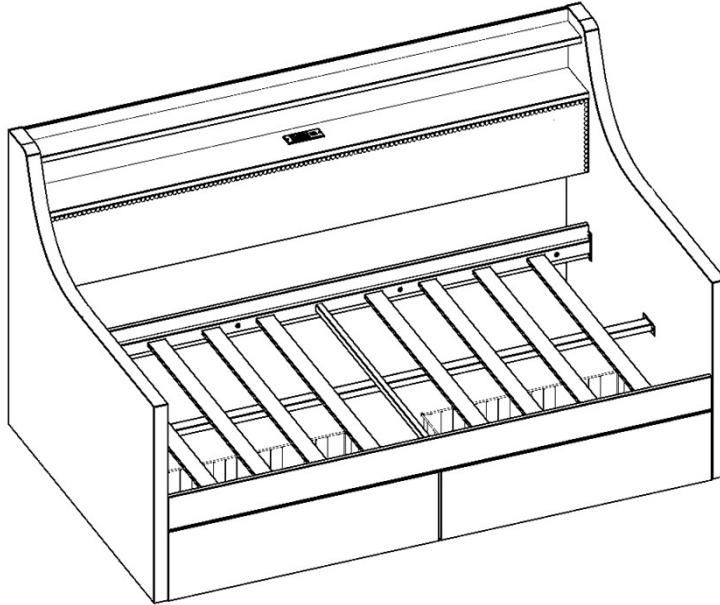


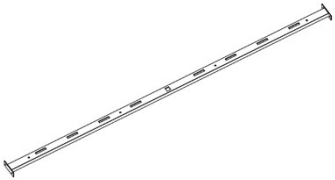
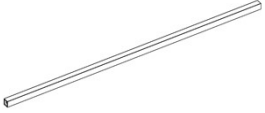

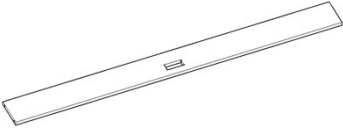

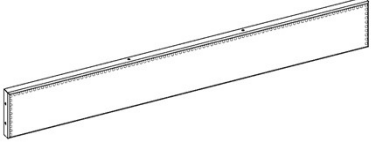
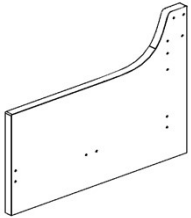
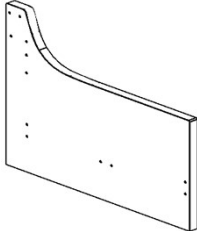
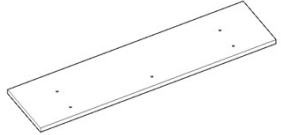
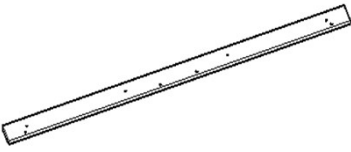
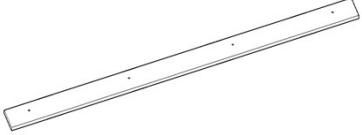
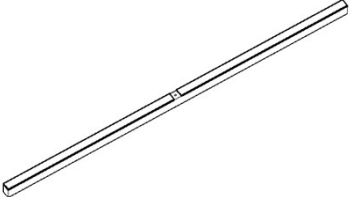

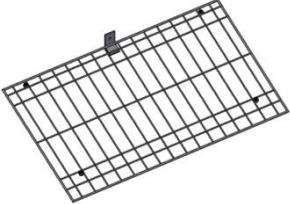

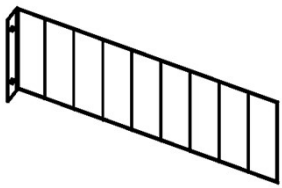
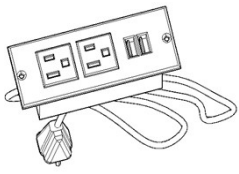
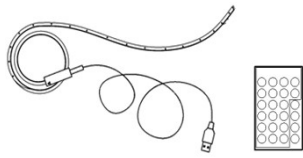
ASSEMBLY INSTRUCTION

BW00047AAA / BW00047AAE / BW00047AAK

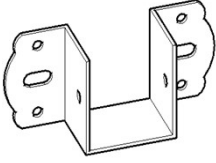


- TIPS**
1. This bed fit standard twin mattress 75" L x 39" W.
 2. Always use the recommended size mattresses or mattress supports, or both, to help prevent the likelihood of entrapment or falls.
 3. Do not allow horseplay on or under the bed and prohibit jumping on the bed.
 4. Do not use substitute part. Contact the manufacture or dealer for replacement part.







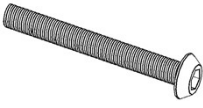
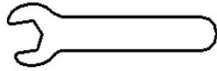



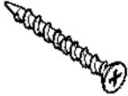

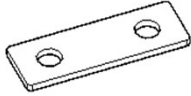



Part List

<p>1</p>  <p>Metal Slat Frame x2</p>	<p>2</p>  <p>Rail x1</p>	<p>3</p>  <p>Panel x1</p>
<p>4</p>  <p>Panel x1</p>	<p>5</p>  <p>Backboard x1</p>	<p>6</p>  <p>Headboard x1</p>
<p>7</p>  <p>Left Handrail x1</p>	<p>8</p>  <p>Right Handrail x1</p>	<p>9</p>  <p>Panels x2</p>
<p>10</p>  <p>Front Panels x1</p>	<p>11</p>  <p>Back Panels x1</p>	<p>12</p>  <p>Bearing Bar x1</p>
<p>13</p>  <p>Slats x8</p>	<p>14</p>  <p>Drawers Bottom Net x2</p>	<p>15</p>  <p>Side Net x2</p>
<p>16</p>  <p>Drawers Side Net x4</p>	<p>17</p>  <p>Socket X1</p>	<p>18</p>  <p>Lamp Strip Kit x1</p>

Part List

<p style="text-align: center;">19</p>  <p style="text-align: center;">U-Shaped Bracket x2</p>	<p style="text-align: center;">20</p>  <p style="text-align: center;">Plastic Feet x4</p>	<p style="text-align: center;">21</p>  <p style="text-align: center;">Caster x8</p>
---	---	---

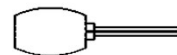
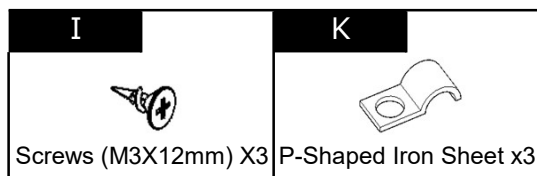
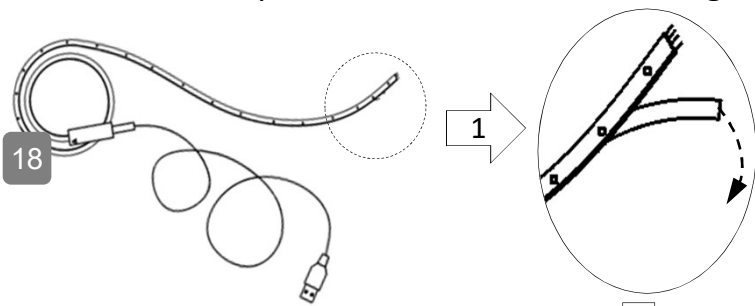
Hardware List

<p style="text-align: center;">A</p>  <p style="text-align: center;">Bolts(M6X10mm) X14</p>	<p style="text-align: center;">B</p>  <p style="text-align: center;">Bolts(M6X16mm) X14</p>	<p style="text-align: center;">C</p>  <p style="text-align: center;">Bolts(M6X30mm) X8</p>
<p style="text-align: center;">D</p>  <p style="text-align: center;">Bolts(M6X35mm) X2</p>	<p style="text-align: center;">E</p>  <p style="text-align: center;">Bolts(M6X50mm) X5</p>	<p style="text-align: center;">F</p>  <p style="text-align: center;">Spanner(M6) X1</p>
<p style="text-align: center;">G</p>  <p style="text-align: center;">Allen Key X1</p>	<p style="text-align: center;">H</p>  <p style="text-align: center;">Flat Gasket X6</p>	<p style="text-align: center;">I</p>  <p style="text-align: center;">Screws (M3X12mm) X5</p>
<p style="text-align: center;">J</p>  <p style="text-align: center;">Screws (M4X25mm) X10</p>	<p style="text-align: center;">K</p>  <p style="text-align: center;">P-Shaped Iron Sheet x3</p>	<p style="text-align: center;">L</p>  <p style="text-align: center;">Iron Sheet x4</p>
<p style="text-align: center;">M</p>  <p style="text-align: center;">Clasp X22</p>	<p style="text-align: center;">N</p>  <p style="text-align: center;">Eccenter X8</p>	<p style="text-align: center;">O</p>  <p style="text-align: center;">Connecting screw rod X8</p>

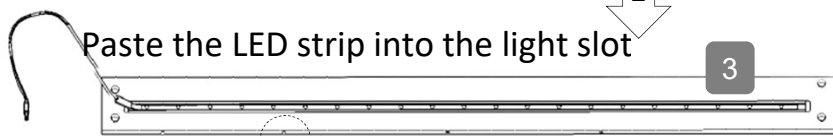
Step1

Attention: Do not tighten the screws before completing the entire installation. If you have any difficulty with the installation process, please feel free to contact us.

Tear the tape from the back of the LED light

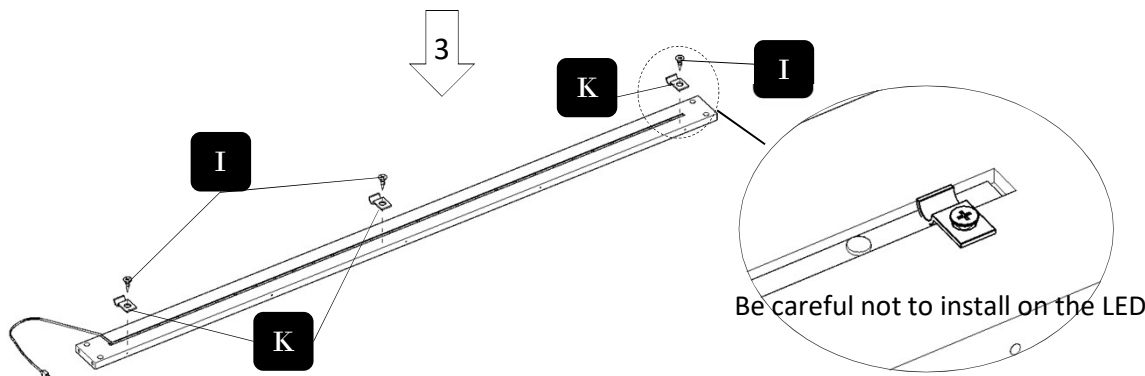


Assembly Tools Required(Not Included)



Paste the LED strip into the light slot

Watch the direction. There are screw holes on the edge of the board

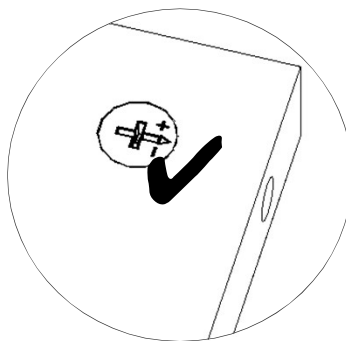


Step2

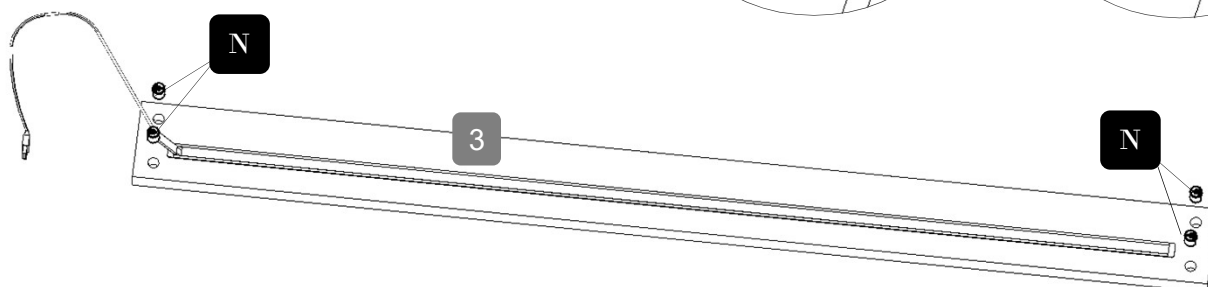
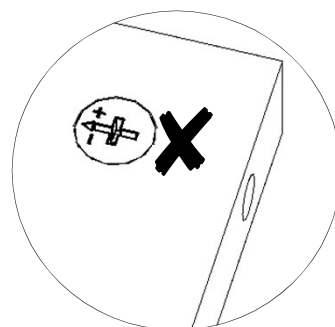
N



RIGHT



WRONG



Step3

I

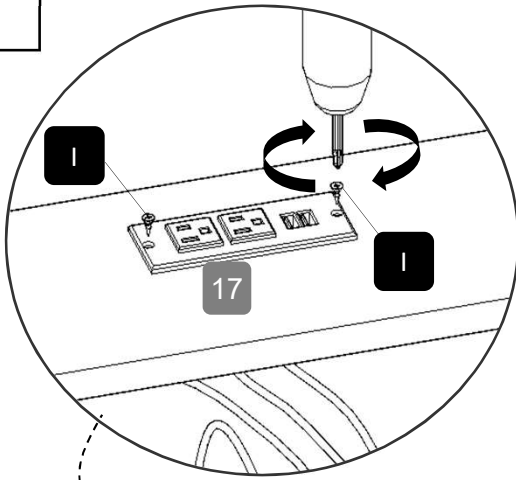


Screws (M3X12mm) X2

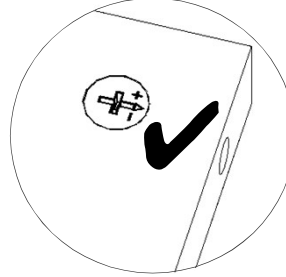
N



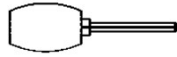
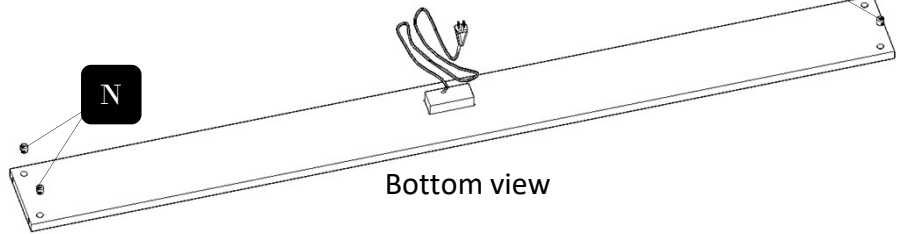
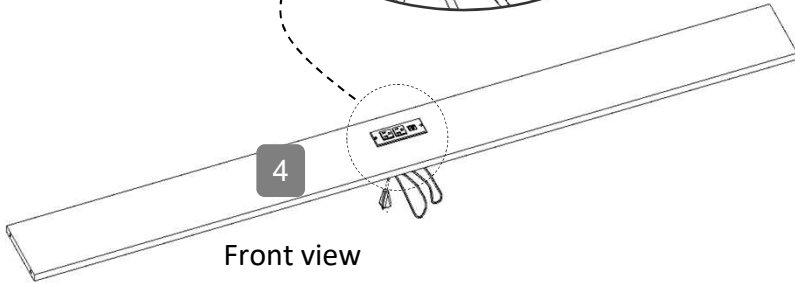
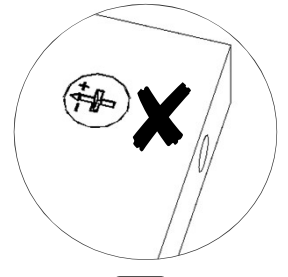
Eccenter X4



RIGHT



WRONG



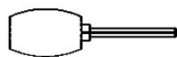
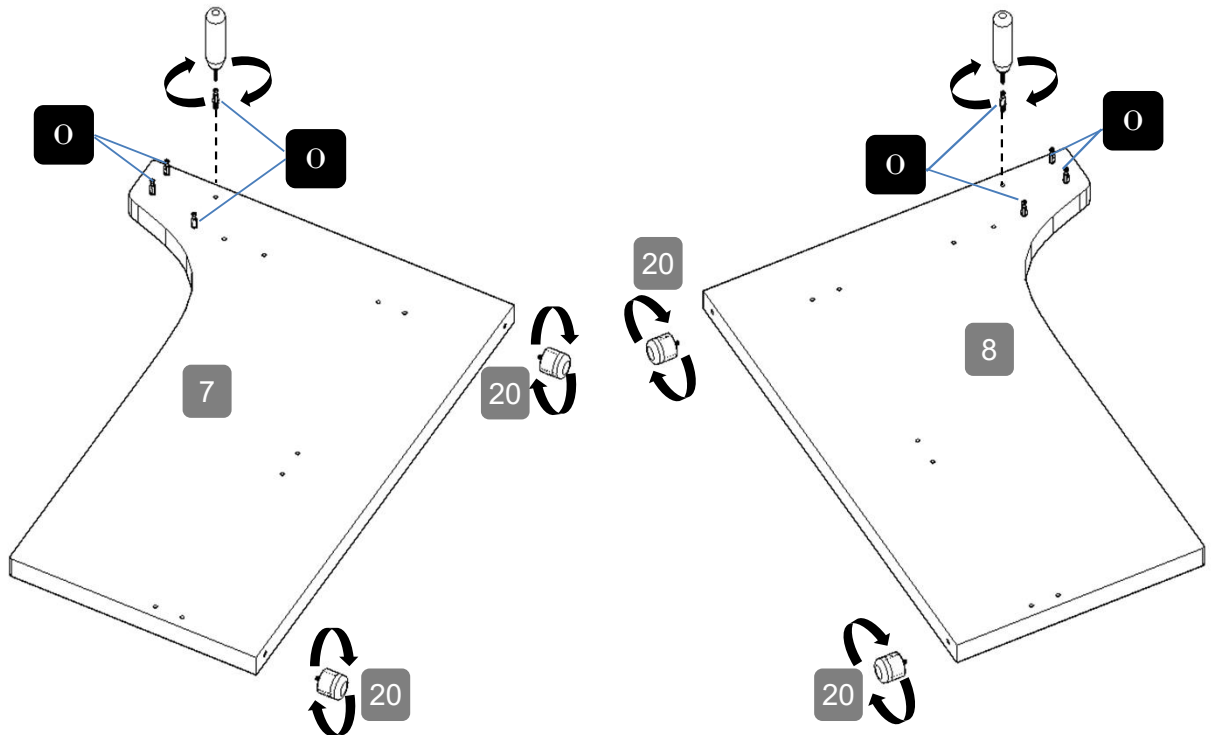
Assembly Tools Required(Not Included)

Step4

O

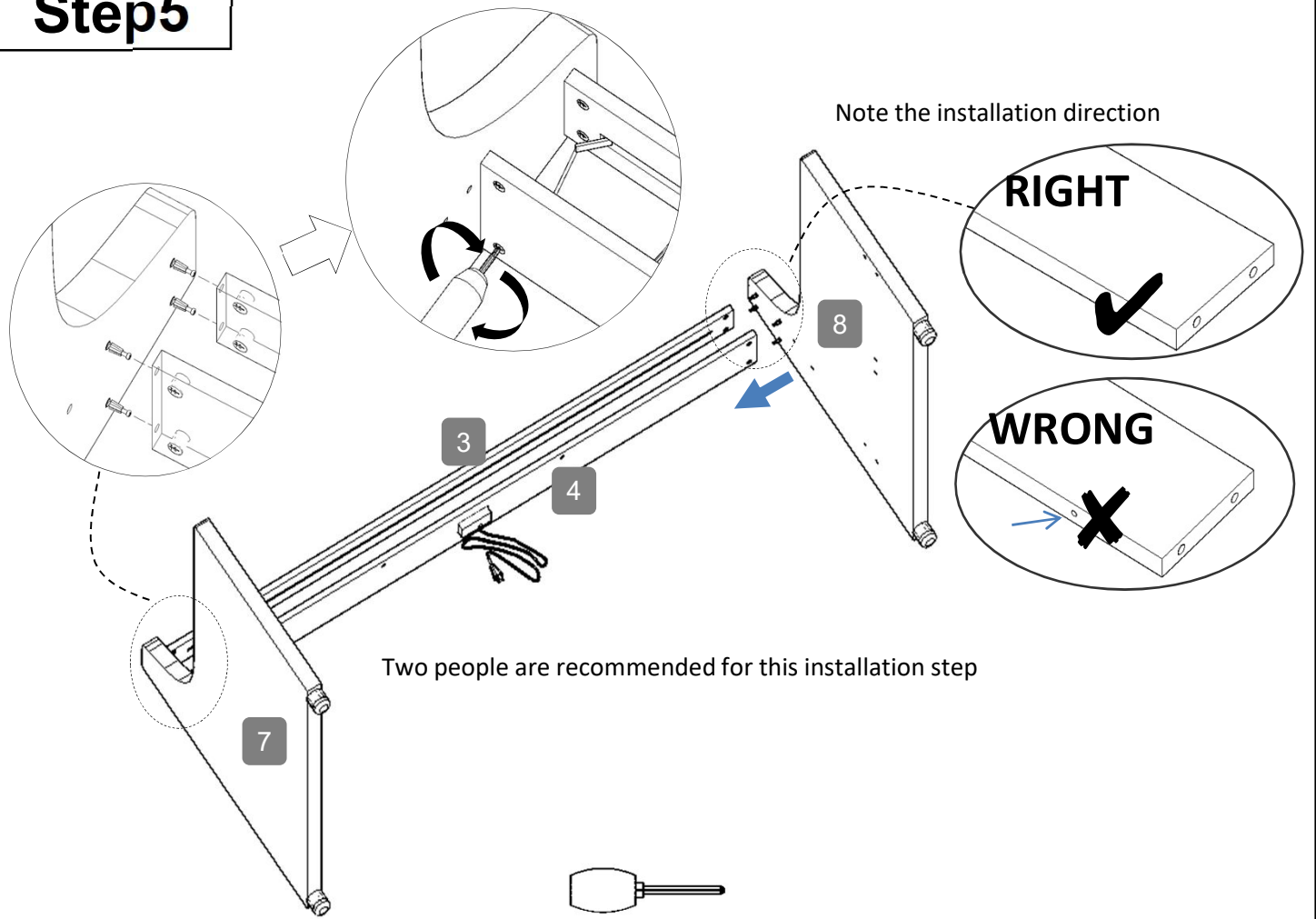


Connecting screw rod X8



Assembly Tools Required(Not Included)

Step5



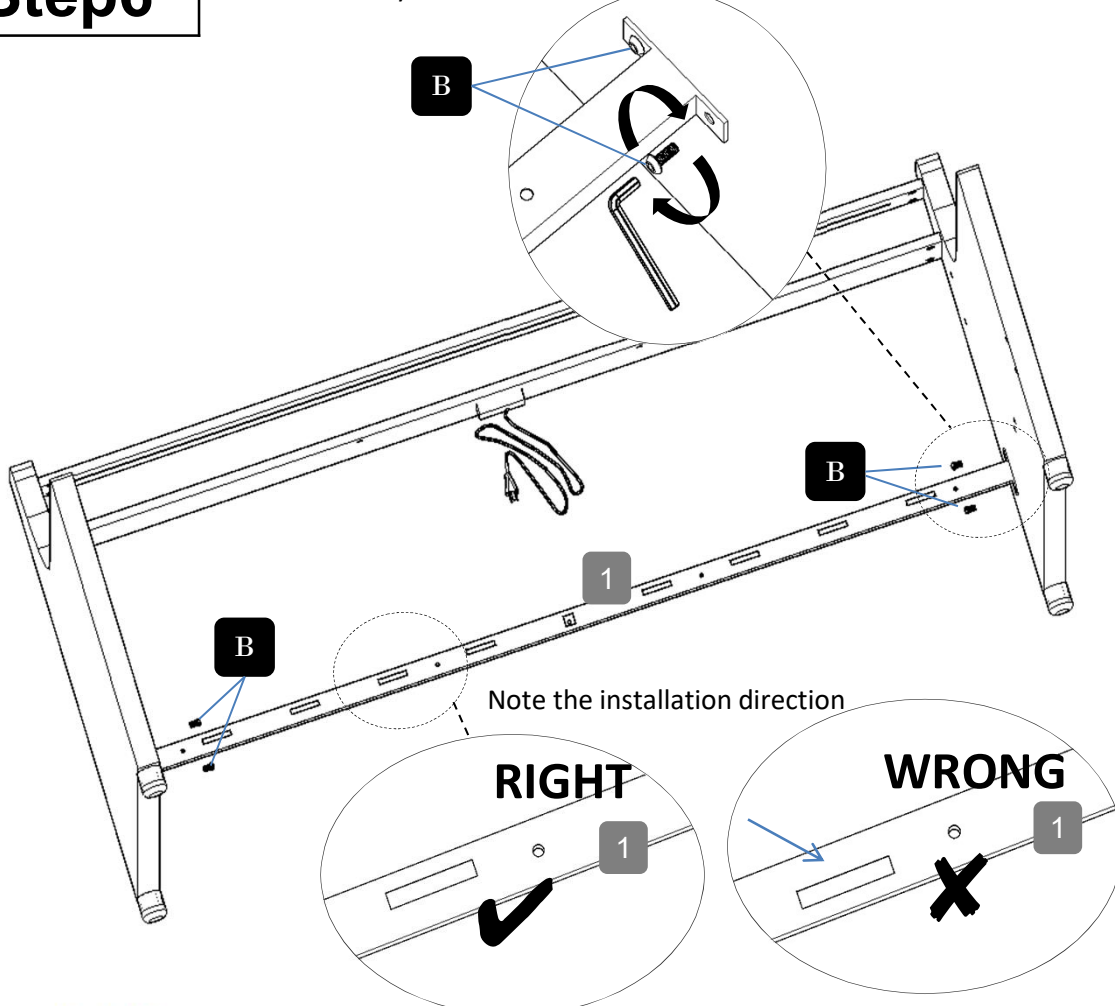
Step6

Use your bare hands or a tool to turn the screw to 80%

B



Bolts(M6X16mm) X4

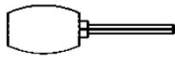
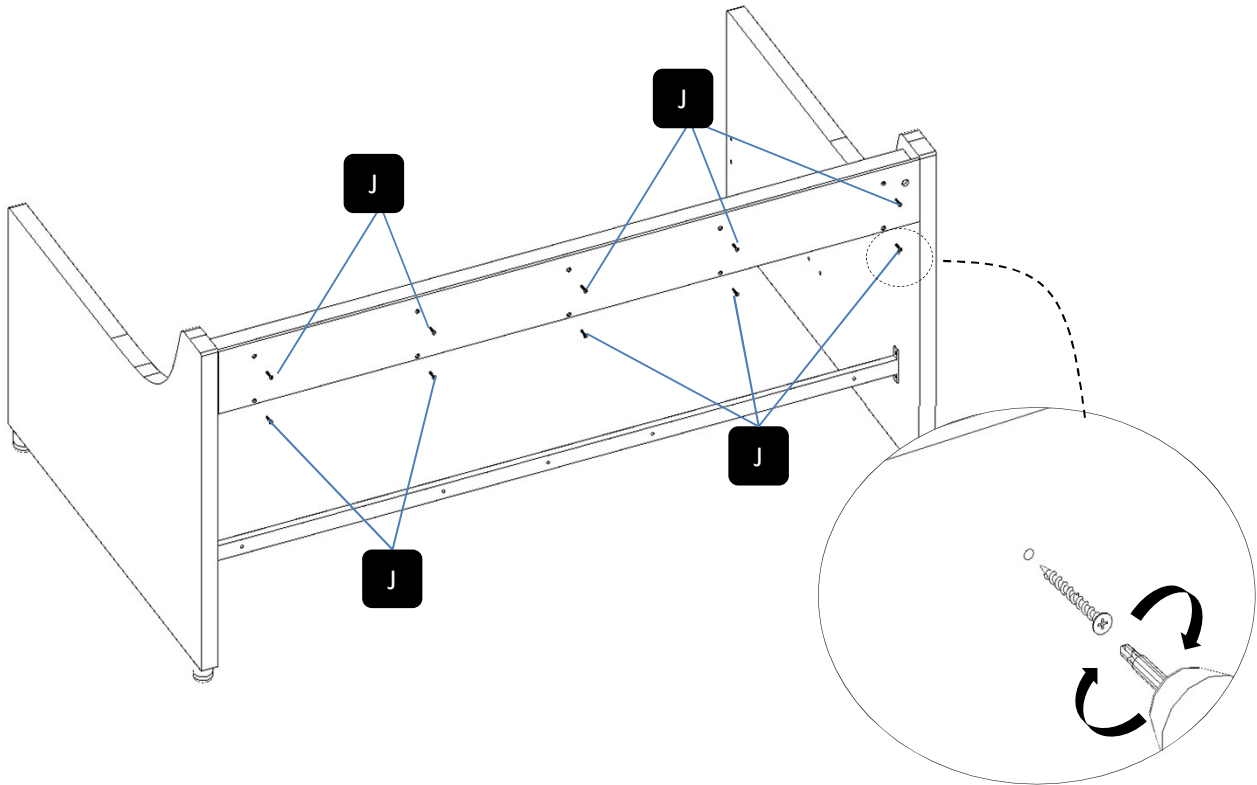


Step7

J



Screws (M4X25mm) X10



Assembly Tools Required(Not Included)

Step8

D



Bolts(M6X35mm) X2

E

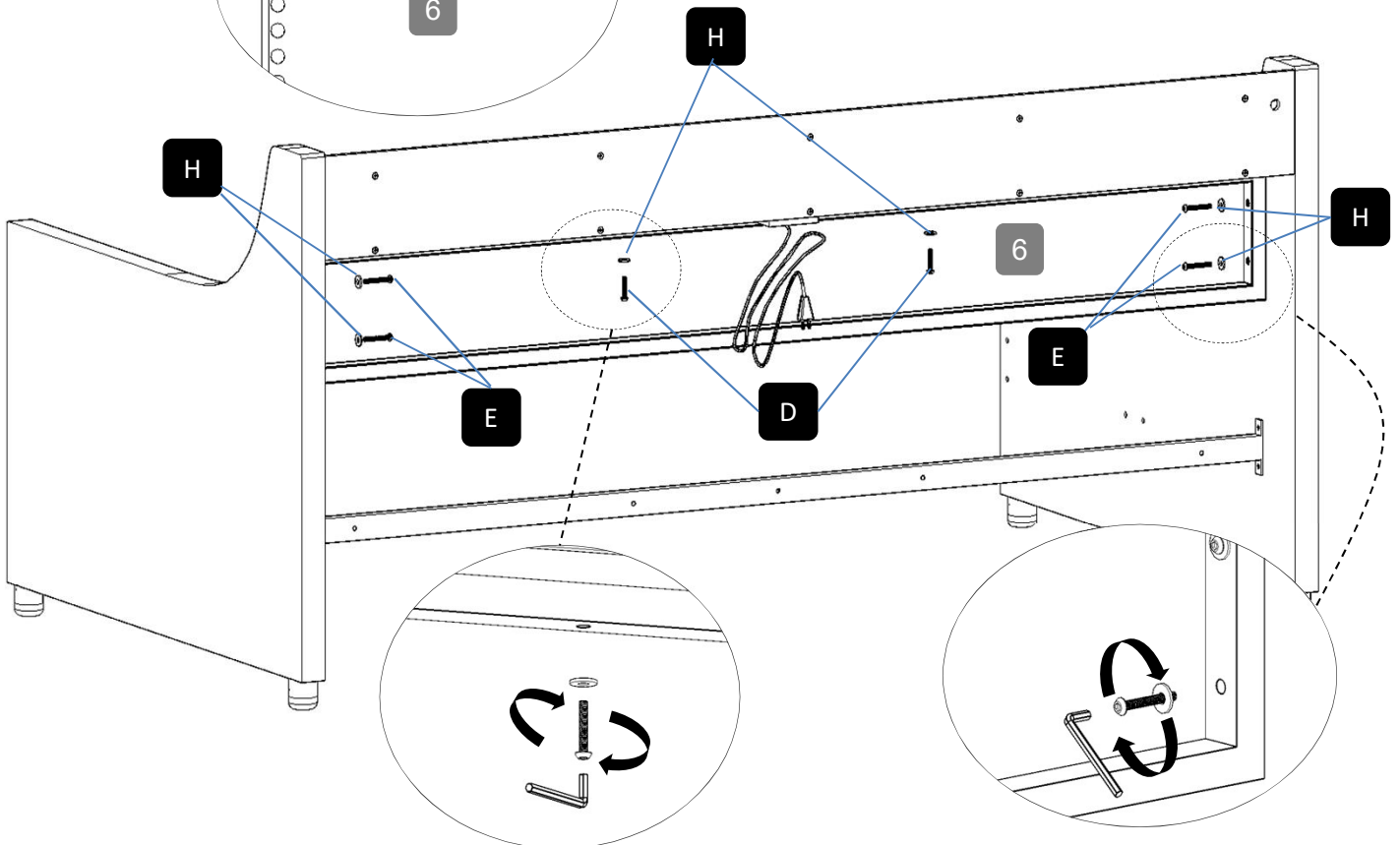
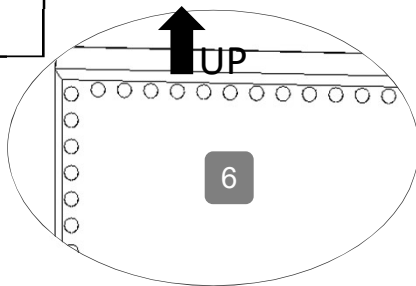


Bolts(M6X50mm) X4

H



Flat Gasket X6

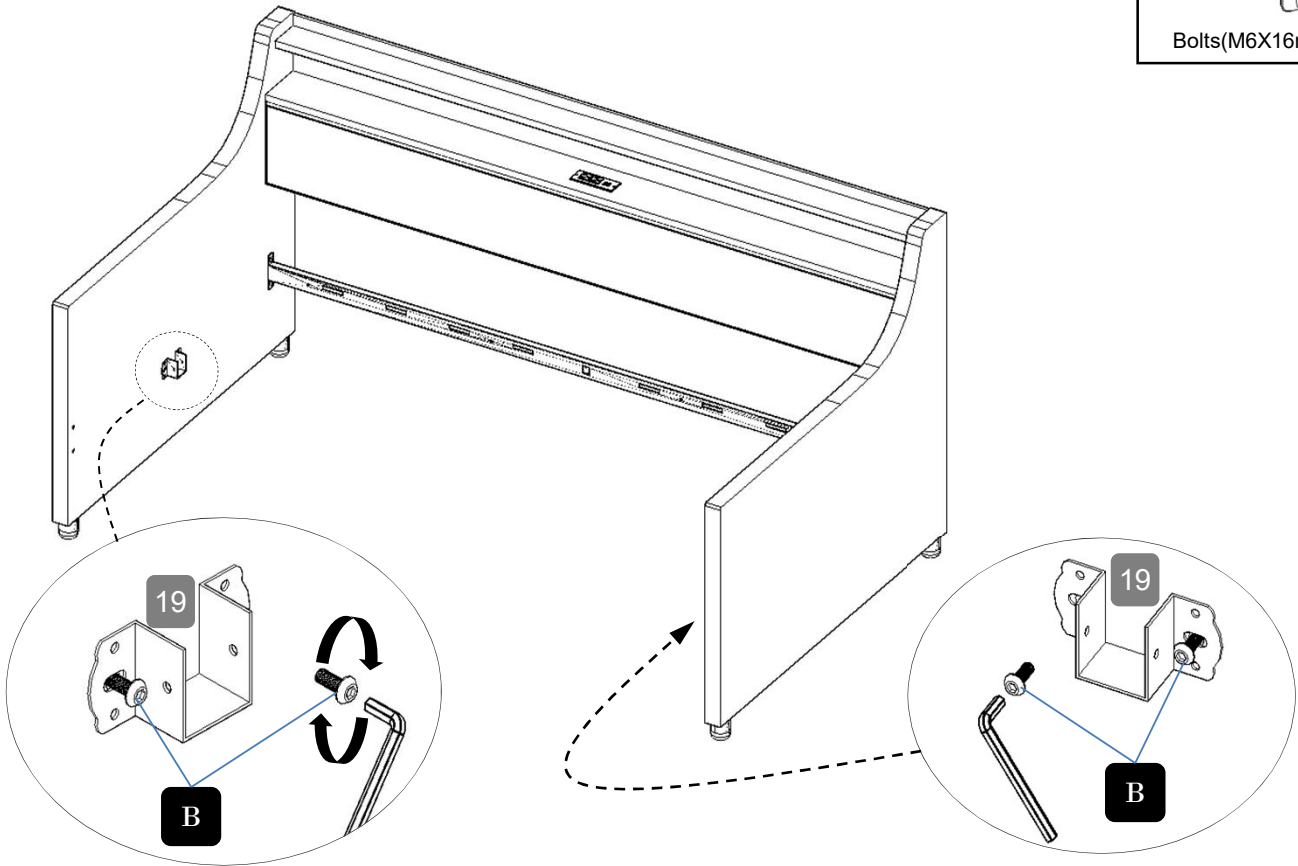


Step9

B



Bolts(M6X16mm) X4



Step10

B

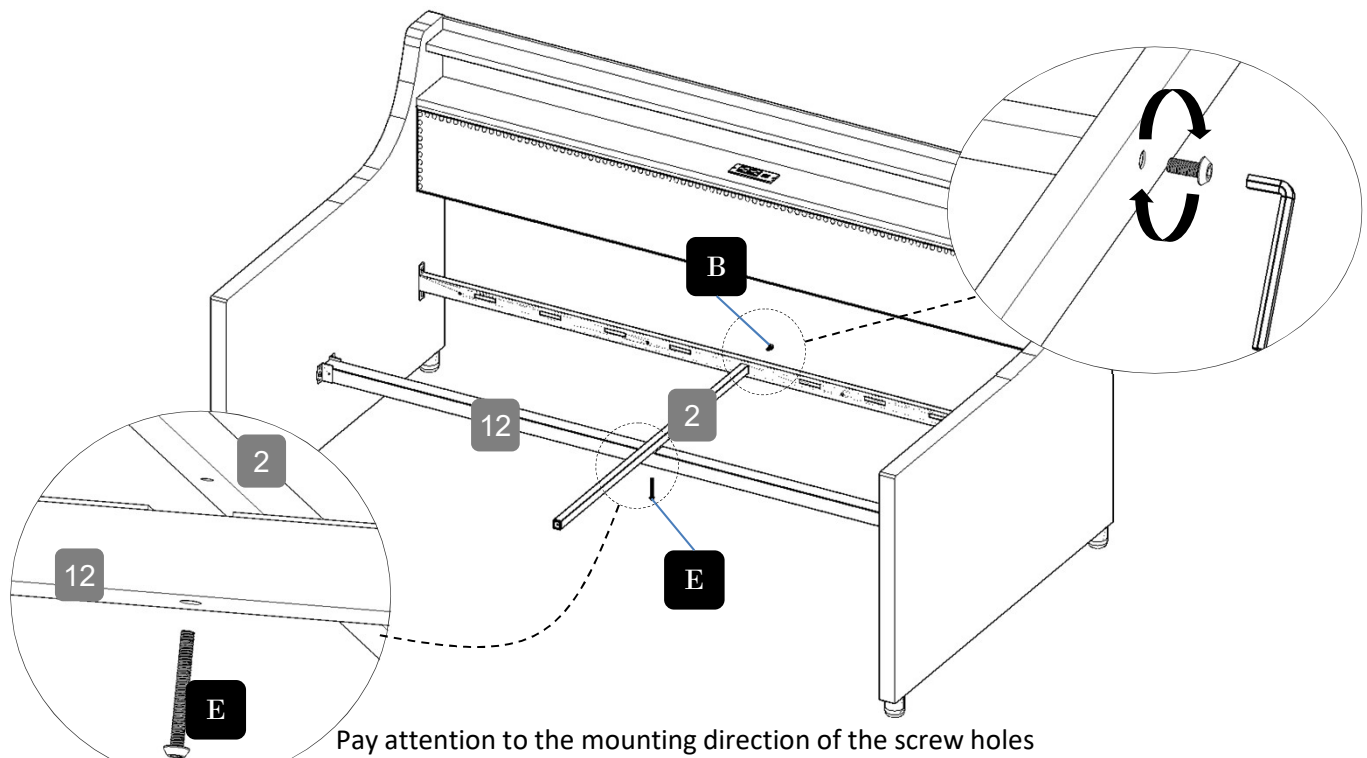


Bolts(M6X16mm) X1

E



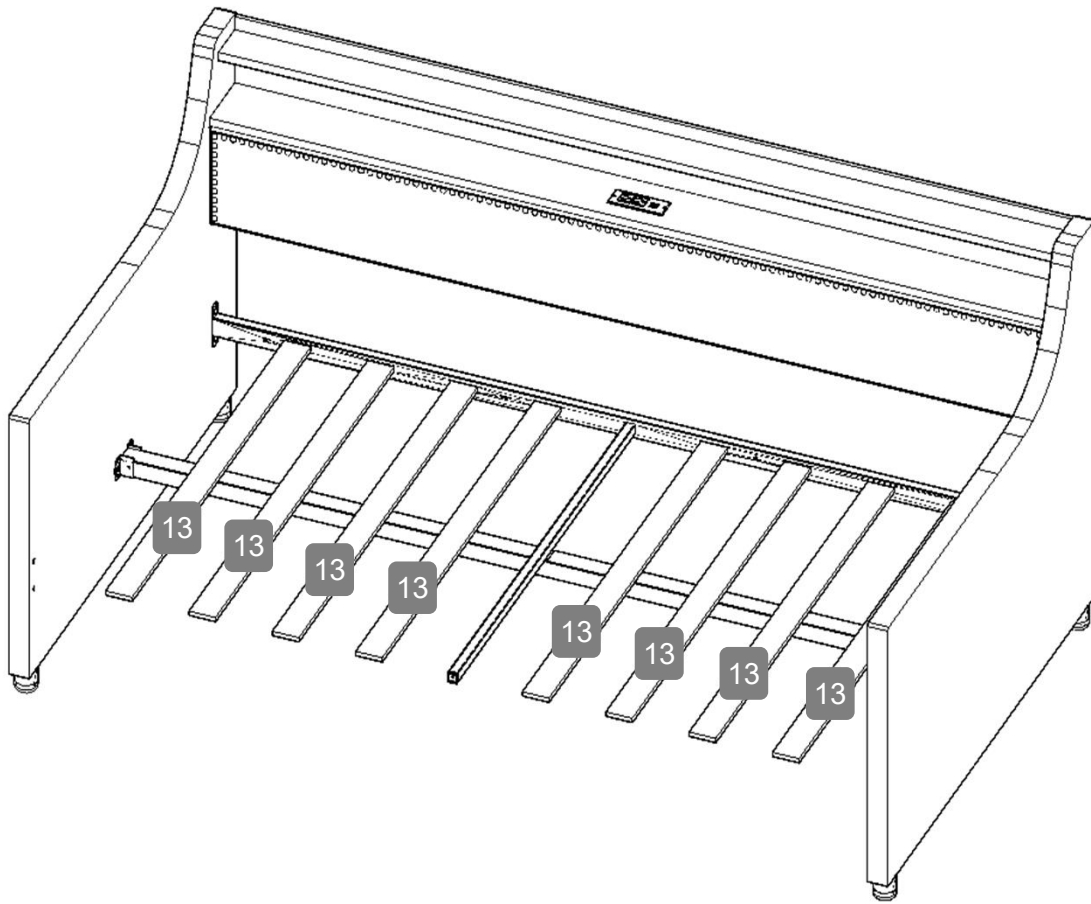
Bolts(M6X50mm) X1



Pay attention to the mounting direction of the screw holes

Bottom view

Step11

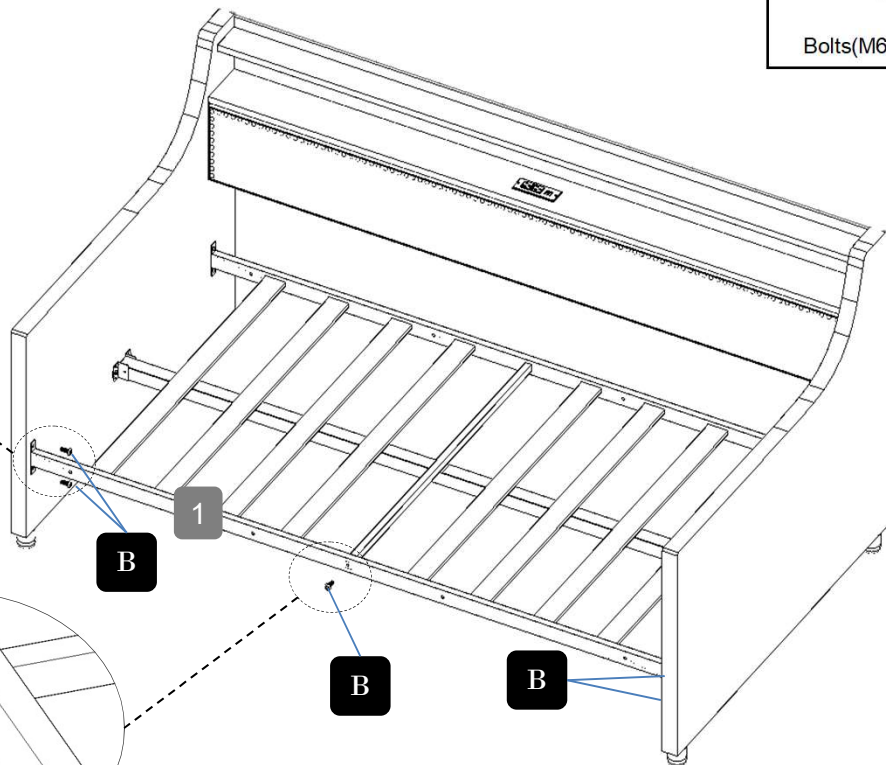
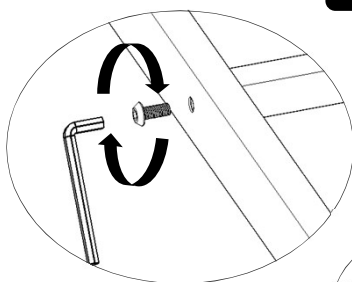
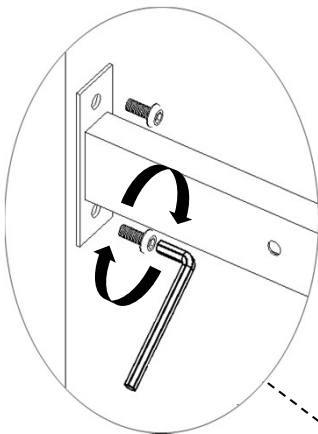


Step12

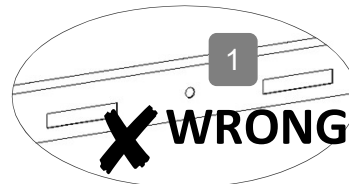
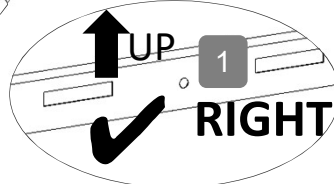
B



Bolts(M6X16mm) X5



Note the installation direction of metal slat frame NO.1

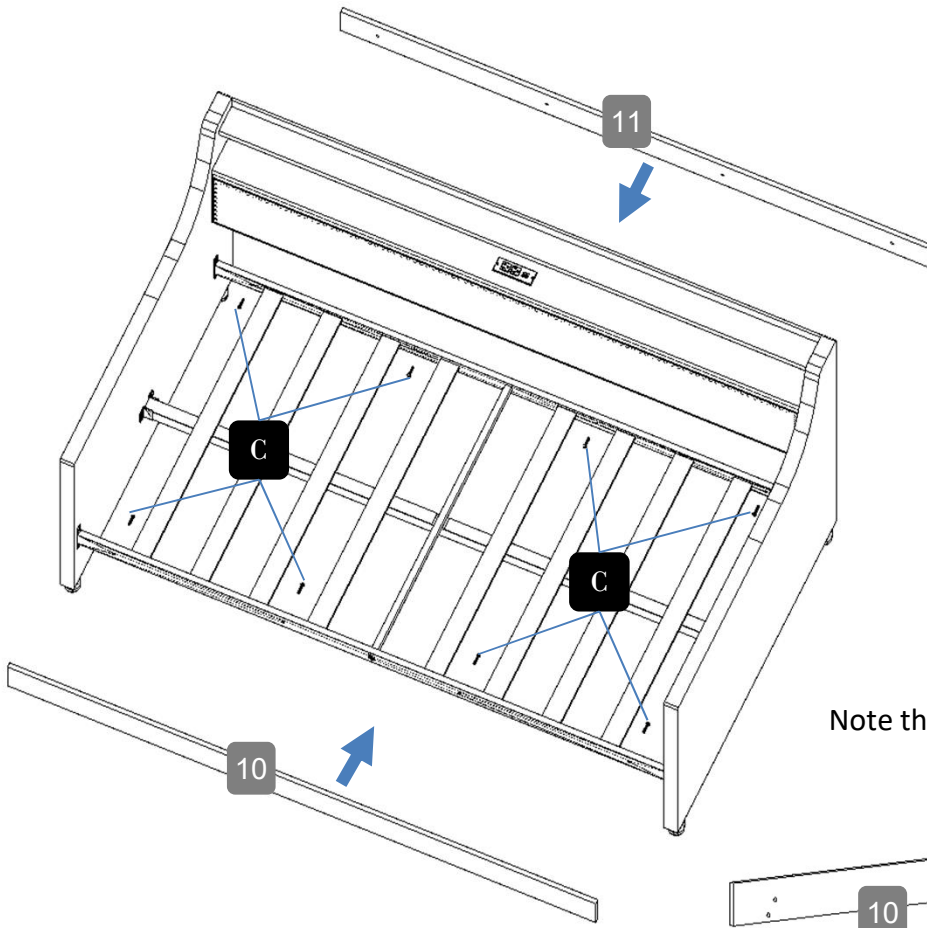


Step13

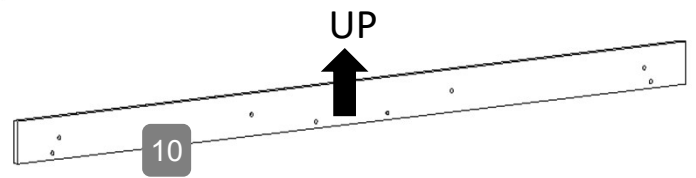
C



Bolts(M6X30mm) X8



Note the installation direction of panel NO.10



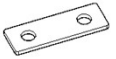
Step14

A

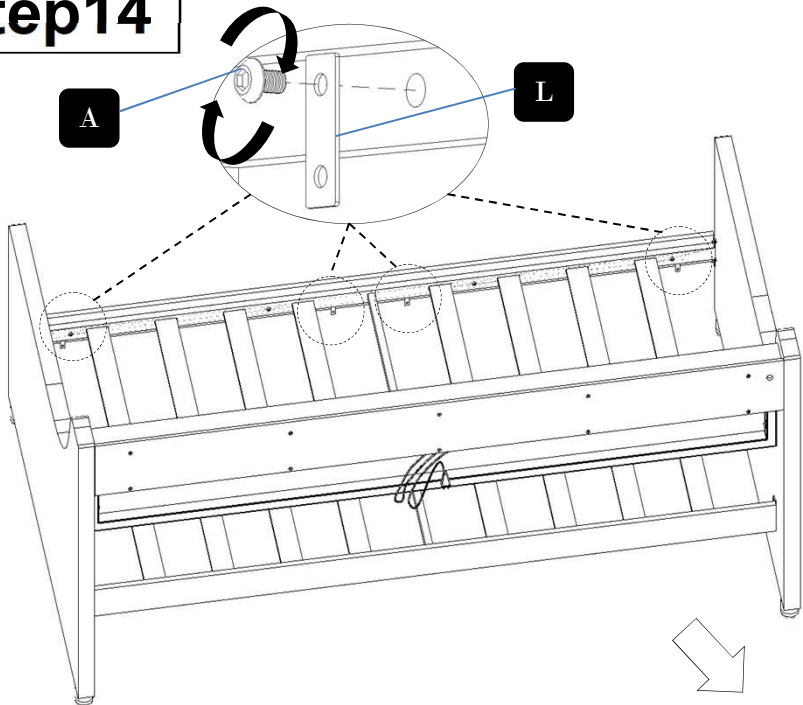


Bolts(M6X10mm) X4

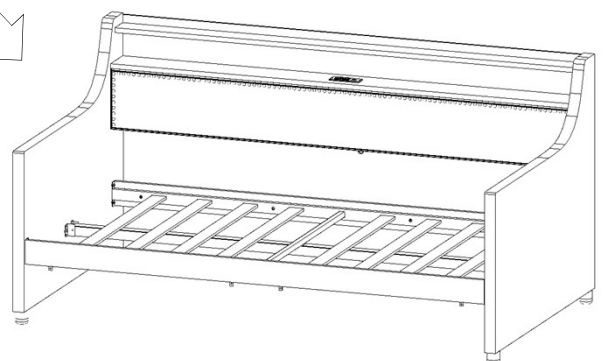
L



Iron Sheet x4



After this step, you can lock the other bolts tightly



Step15

A

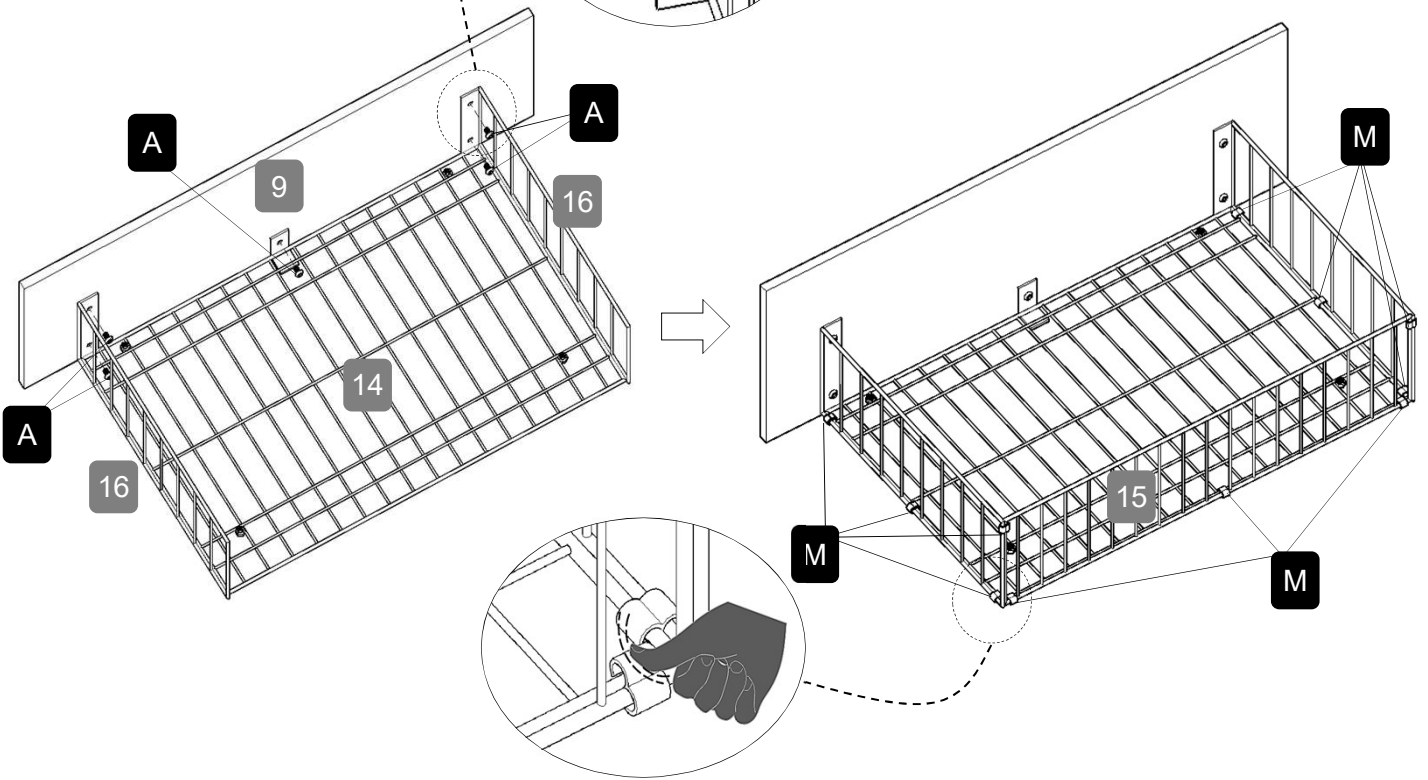


Bolts(M6X10mm) X5

M



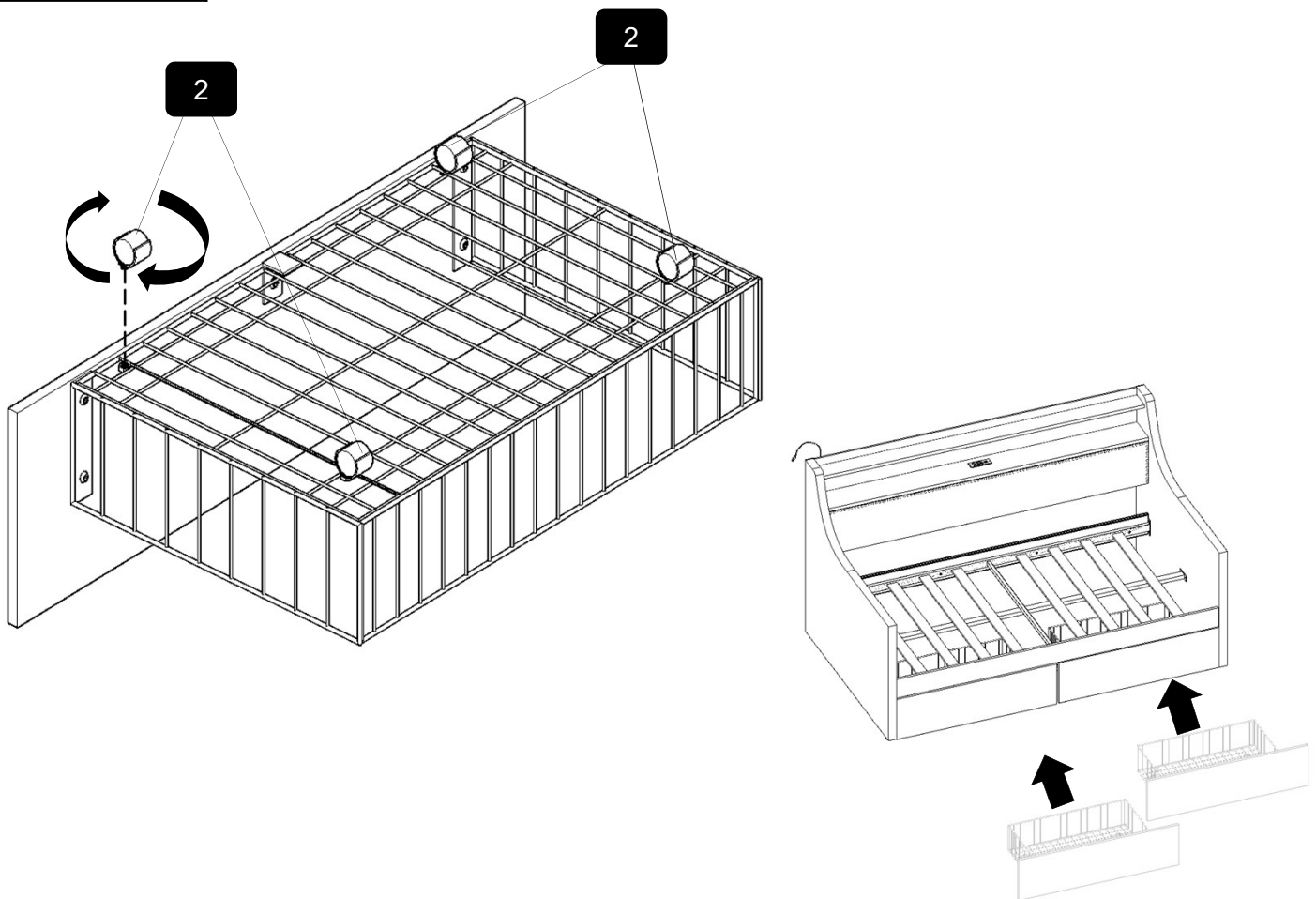
Clasp X11



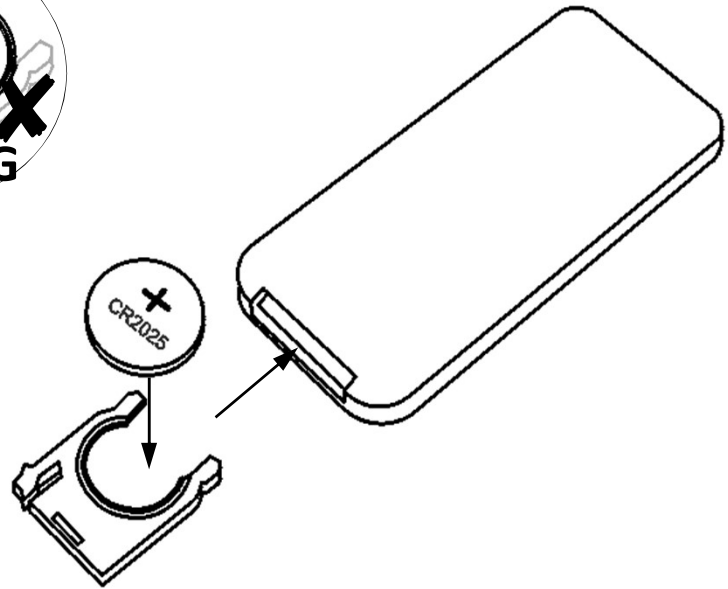
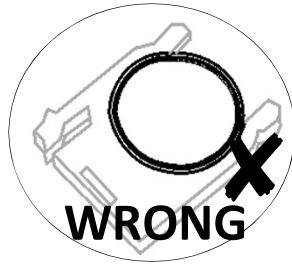
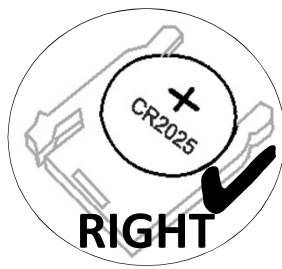
Step16

2

2



Step17



Remote control does not contain batteries, please buy your own a CR2025 button battery installed into the remote control