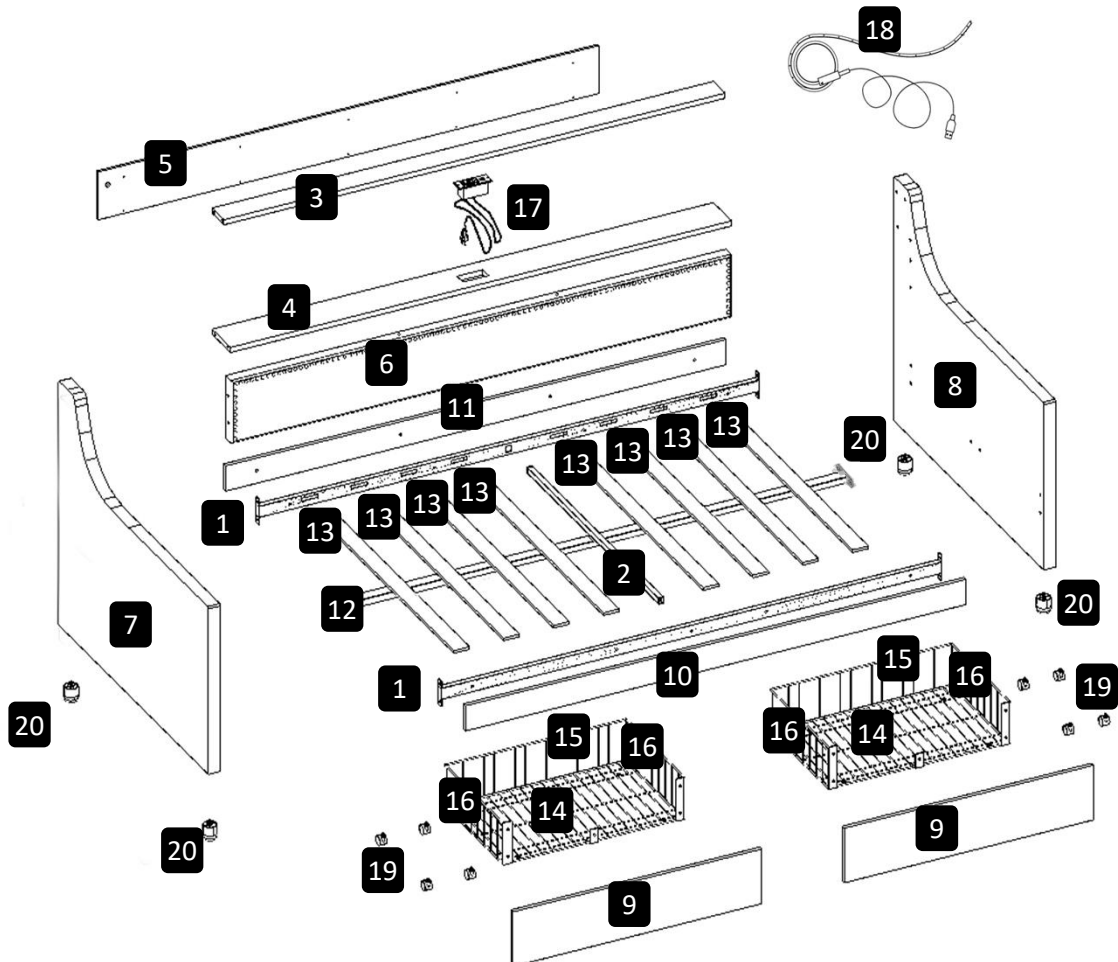
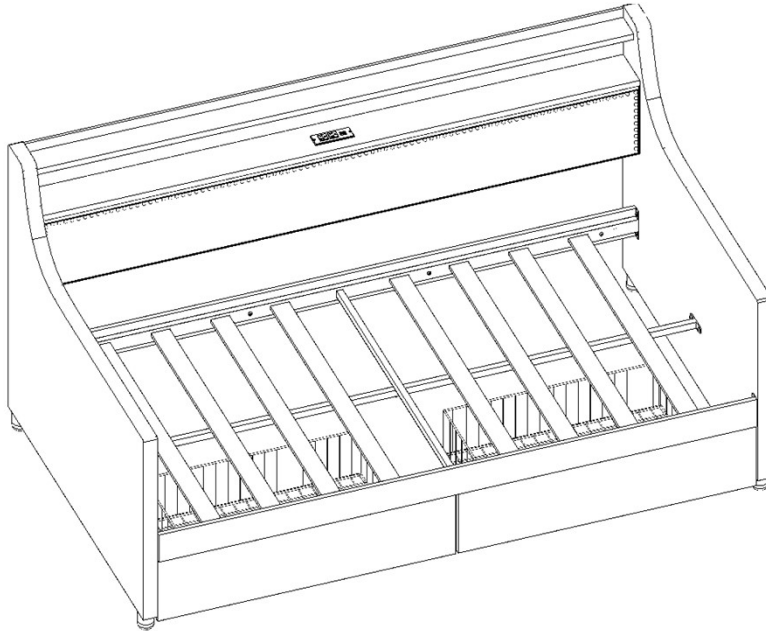


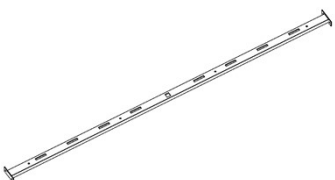
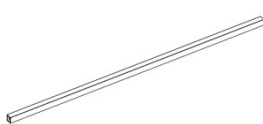

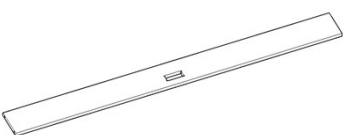
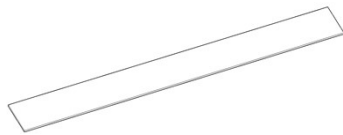
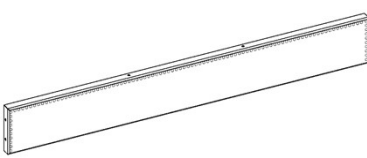
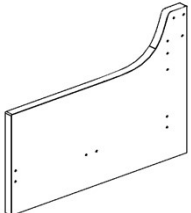
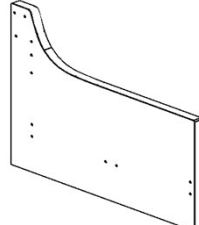
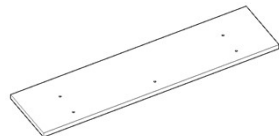
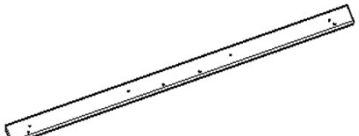
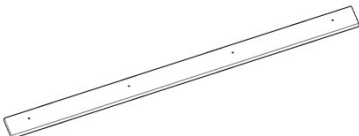



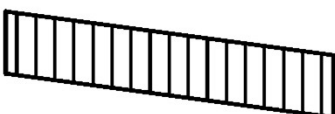
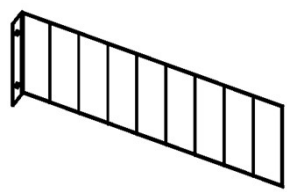
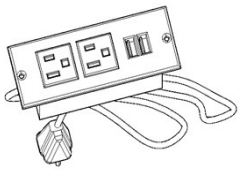
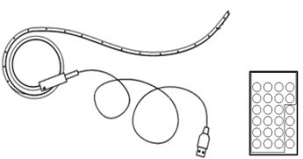
ASSEMBLY INSTRUCTION

BW00057AAA / BW00057AAE / BW00057AAK

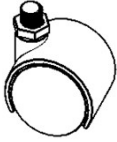

- TIPS**
1. This bed fit standard twin mattress 75" L x 39" W.
 2. Always use the recommended size mattresses or mattress supports, or both, to help prevent the likelihood of entrapment or falls.
 3. Do not allow horseplay on or under the bed and prohibit jumping on the bed.
 4. Do not use substitute part. Contact the manufacture or dealer for replacement part.








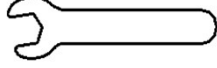



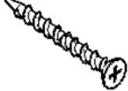

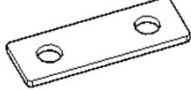




Part List

<p>1</p>  <p>Metal Slat Frame x2</p>	<p>2</p>  <p>Rail x1</p>	<p>3</p>  <p>Panel x1</p>
<p>4</p>  <p>Panel x1</p>	<p>5</p>  <p>Backboard x1</p>	<p>6</p>  <p>Headboard x1</p>
<p>7</p>  <p>Left Handrail x1</p>	<p>8</p>  <p>Right Handrail x1</p>	<p>9</p>  <p>Panels x2</p>
<p>10</p>  <p>Front Panel x1</p>	<p>11</p>  <p>Back Panel x1</p>	<p>12</p>  <p>Rail x1</p>
<p>13</p>  <p>Slats x8</p>	<p>14</p>  <p>Drawers Bottom Net x2</p>	<p>15</p>  <p>Side Net x2</p>
<p>16</p>  <p>Drawers Side Net x4</p>	<p>17</p>  <p>Socket X1</p>	<p>18</p>  <p>Lamp Strip Kit x1</p>

Part List

<p>19</p>  <p>Caster x8</p>	<p>20</p>  <p>Plastic Feet x4</p>
---	---

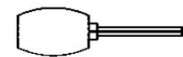
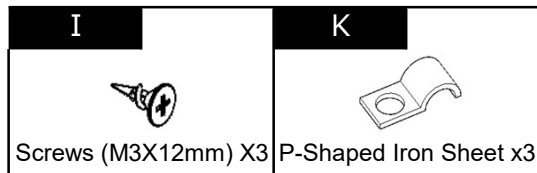
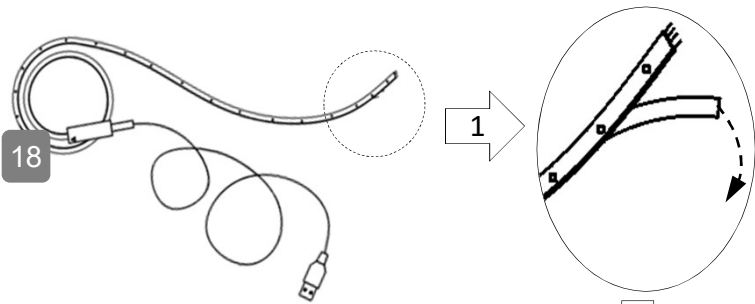
Hardware List

<p>A</p>  <p>Bolts(M6X10mm) X14</p>	<p>B</p>  <p>Bolts(M6X16mm) X14</p>	<p>C</p>  <p>Bolts(M6X30mm) X8</p>
<p>D</p>  <p>Bolts(M6X35mm) X3</p>	<p>E</p>  <p>Bolts(M6X50mm) X4</p>	<p>F</p>  <p>Spanner(M6) X1</p>
<p>G</p>  <p>Allen Key X1</p>	<p>H</p>  <p>Flat Gasket X6</p>	<p>I</p>  <p>Screws (M3X12mm) X5</p>
<p>J</p>  <p>Screws (M4X25mm) X10</p>	<p>K</p>  <p>P-Shaped Iron Sheet x3</p>	<p>L</p>  <p>Iron Sheet x4</p>
<p>M</p>  <p>Clasp X22</p>	<p>N</p>  <p>Eccenter X8</p>	<p>O</p>  <p>Connecting screw rod X8</p>
<p>P</p>  <p>Foam Pad X8</p>		

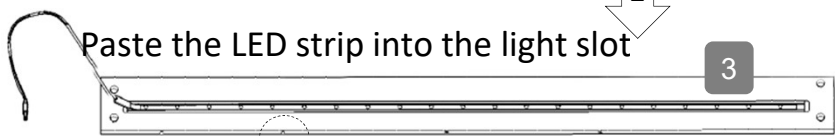
Step1

Attention: Do not tighten the screws before completing the entire installation. If you have any difficulty with the installation process, please feel free to contact us.

Tear the tape from the back of the LED light

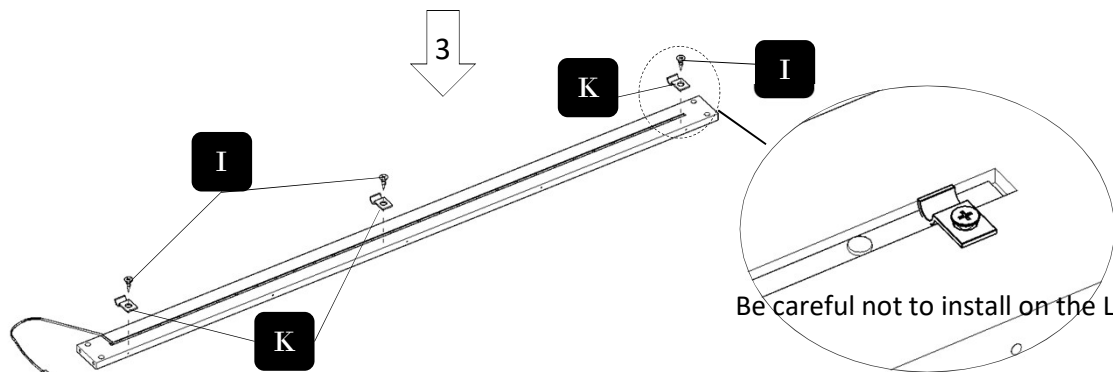


Assembly Tools Required(Not Included)

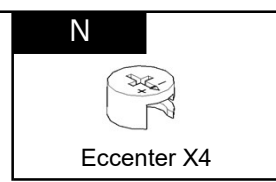


Paste the LED strip into the light slot

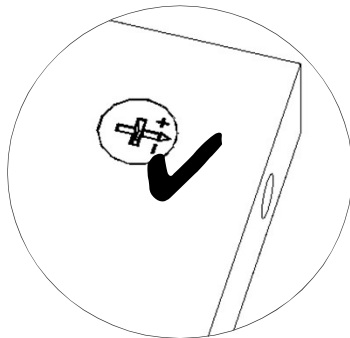
Watch the direction. There are screw holes on the edge of the board



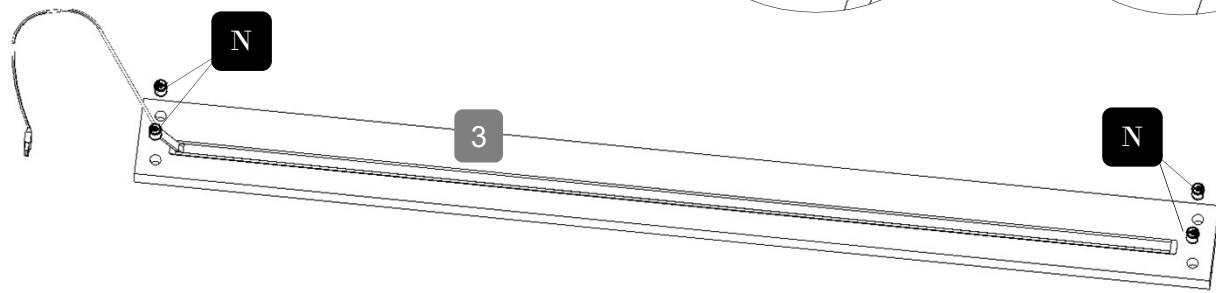
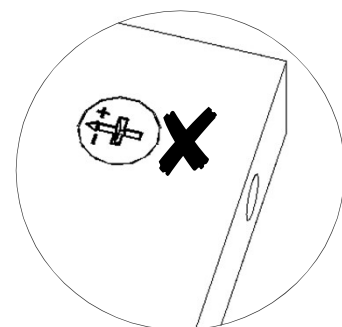
Step2



RIGHT




WRONG




Step3

I

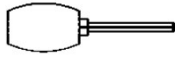
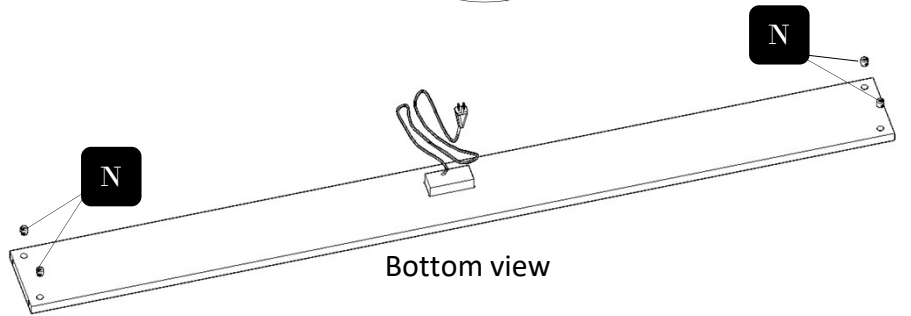
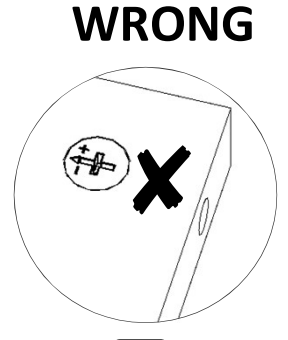
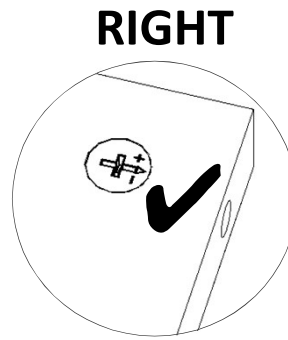
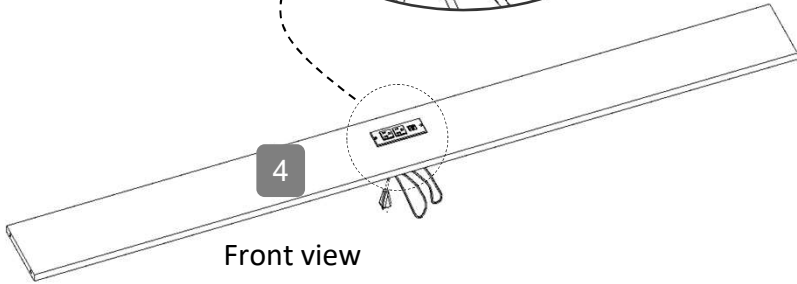
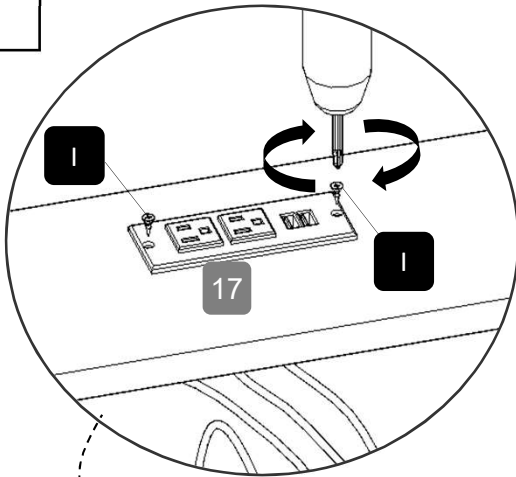


Screws (M3X12mm) X2

N



Eccenter X4



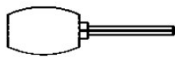
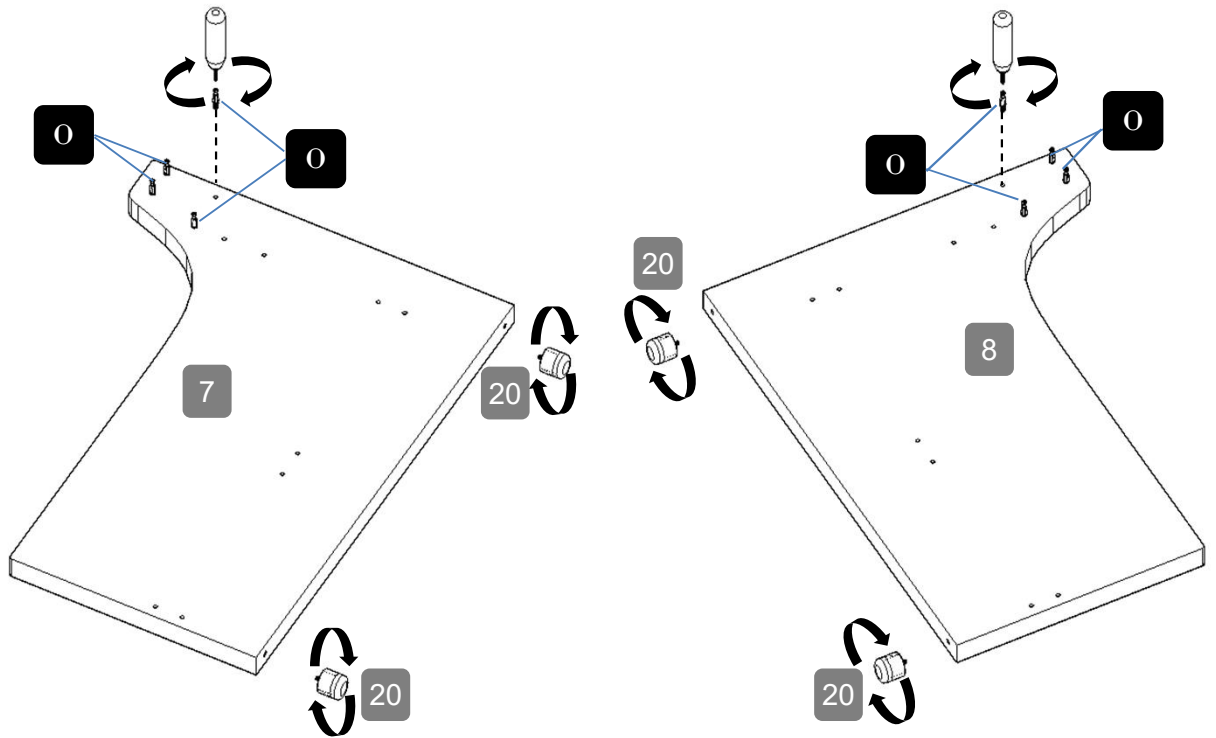
Assembly Tools Required(Not Included)

Step4

O

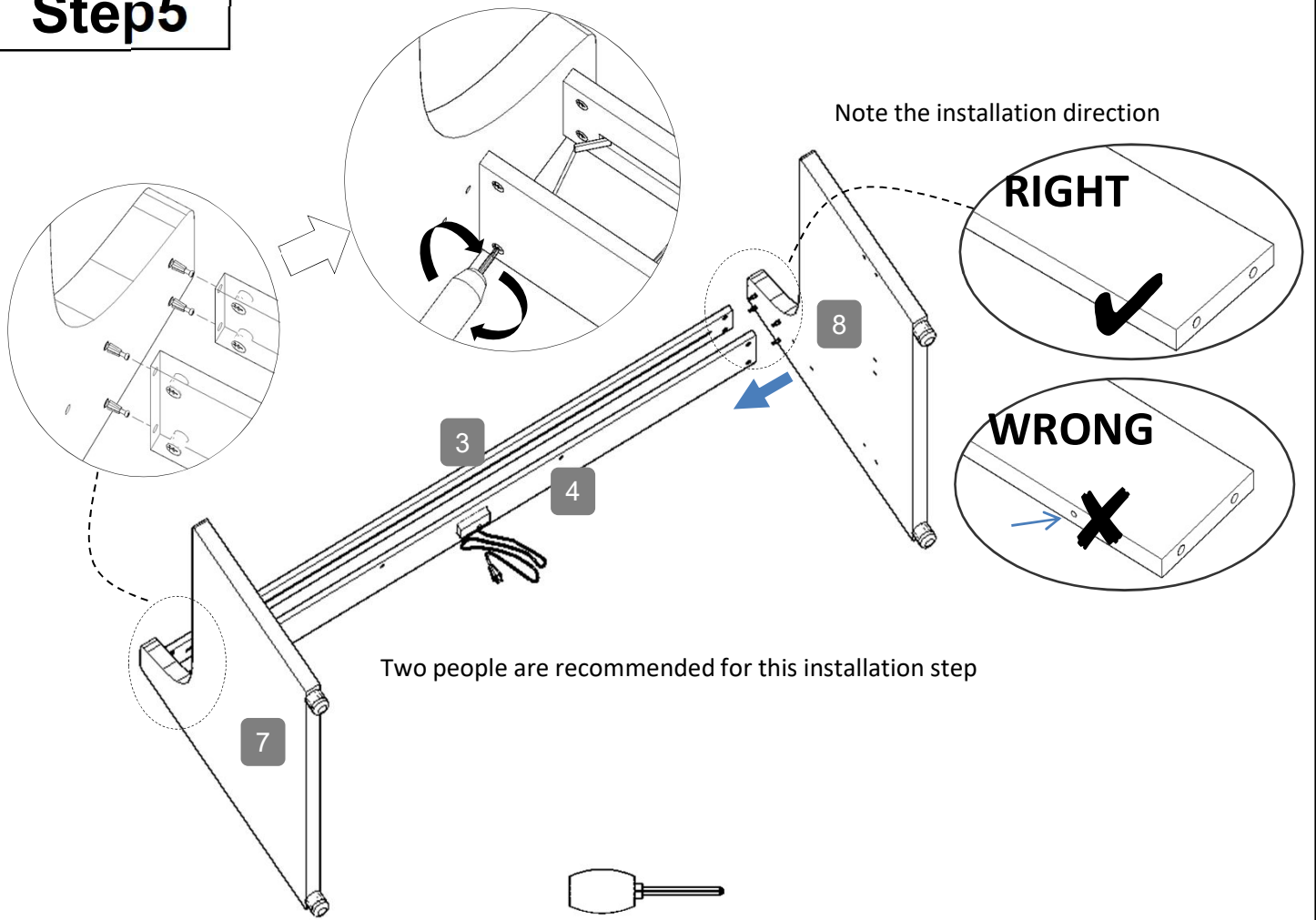


Connecting screw rod X8

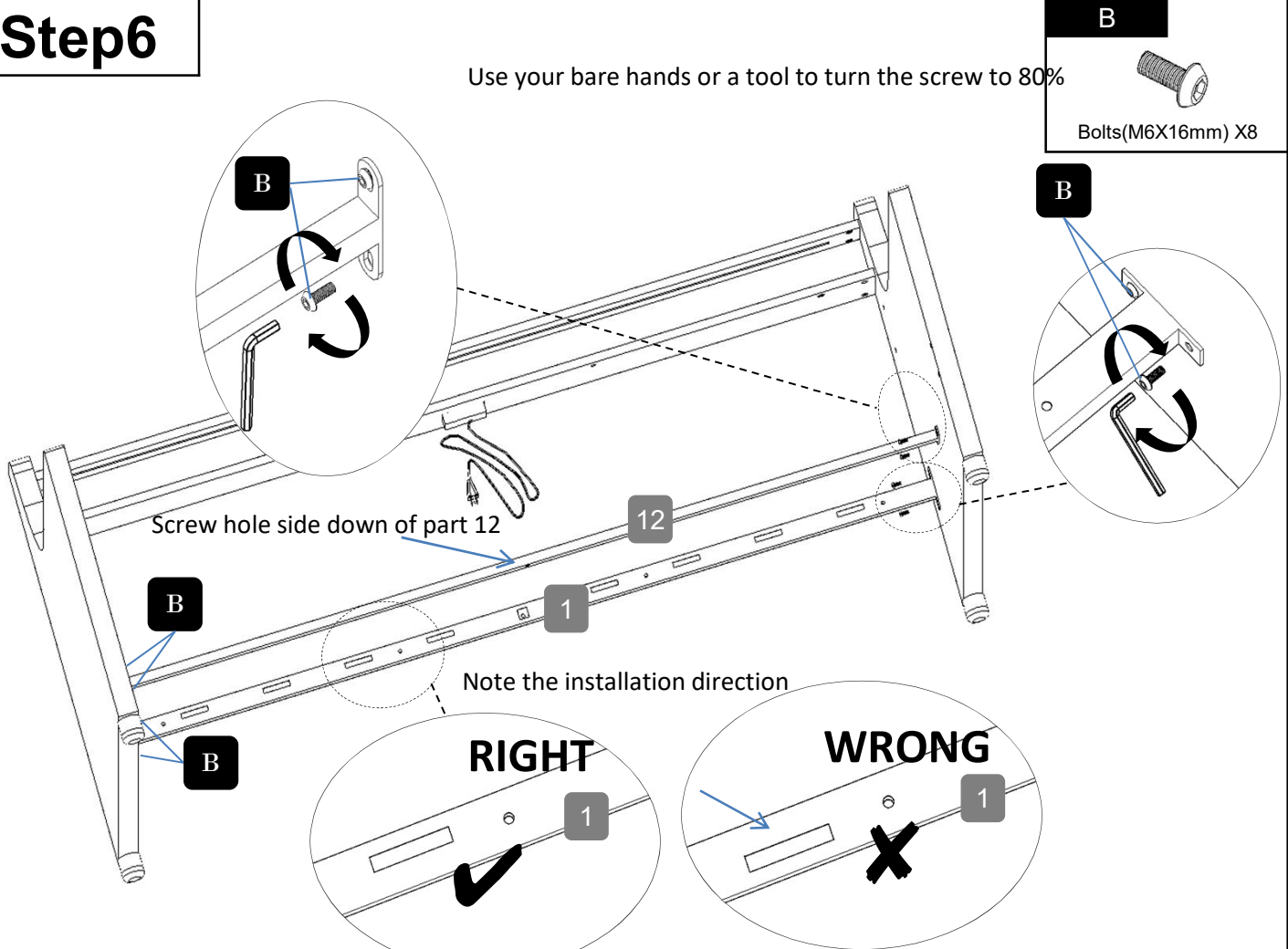


Assembly Tools Required(Not Included)

Step 5



Step 6

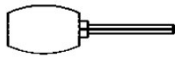
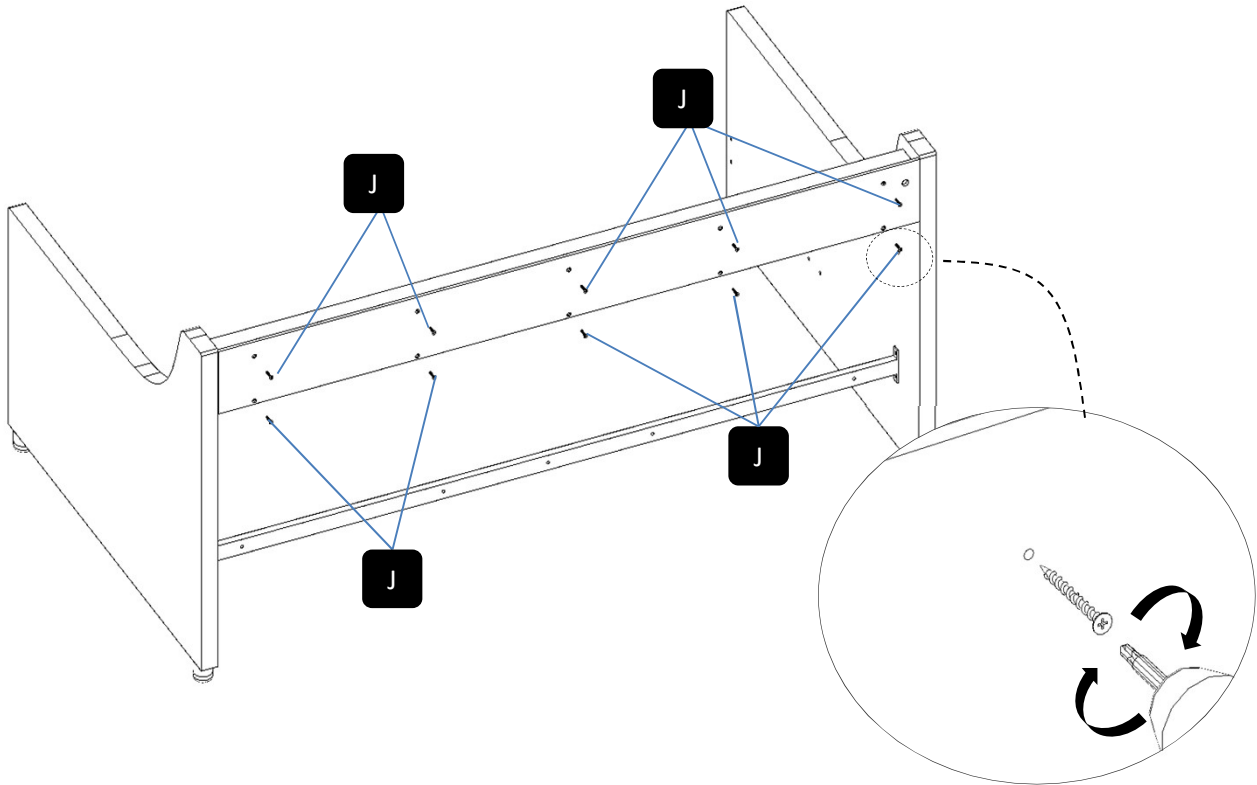


Step7

J



Screws (M4X25mm) X10



Assembly Tools Required(Not Included)

Step8

D



Bolts(M6X35mm) X2

E

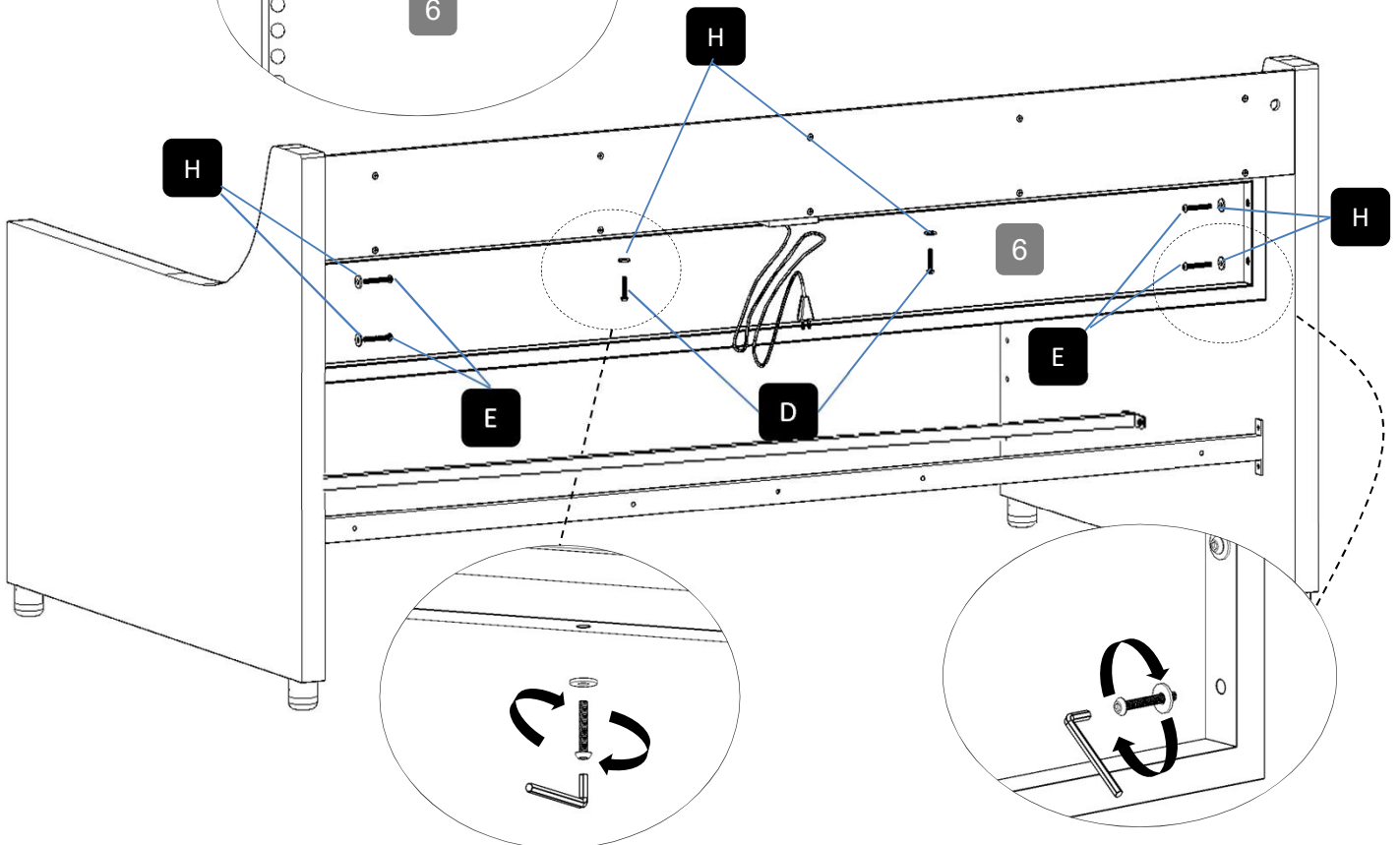
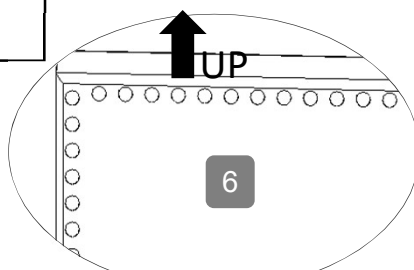


Bolts(M6X50mm) X4

H



Flat Gasket X6



Step10

B

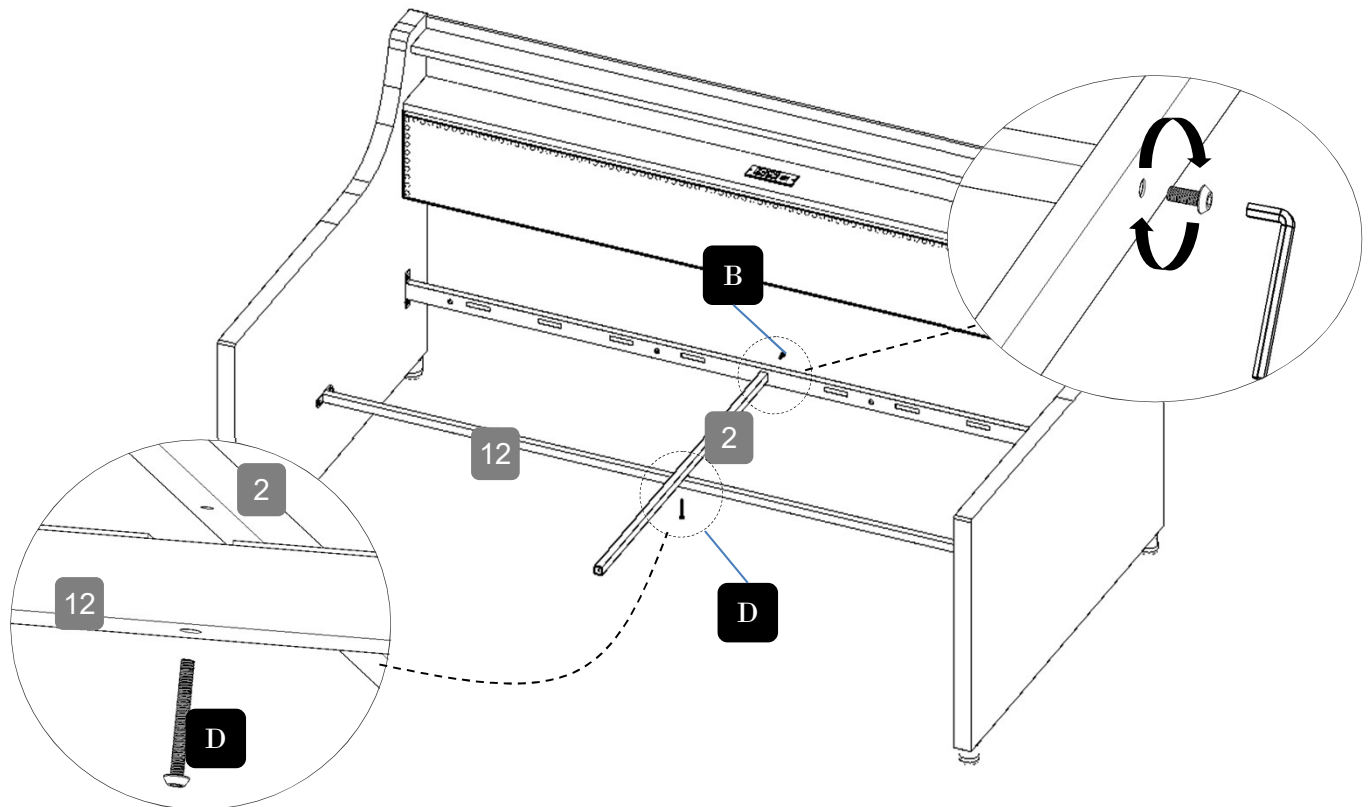


Bolts(M6X16mm) X1

D



Bolts(M6X35mm) X1



Bottom view

Pay attention to the mounting direction of the screw holes

Page 8 of 12

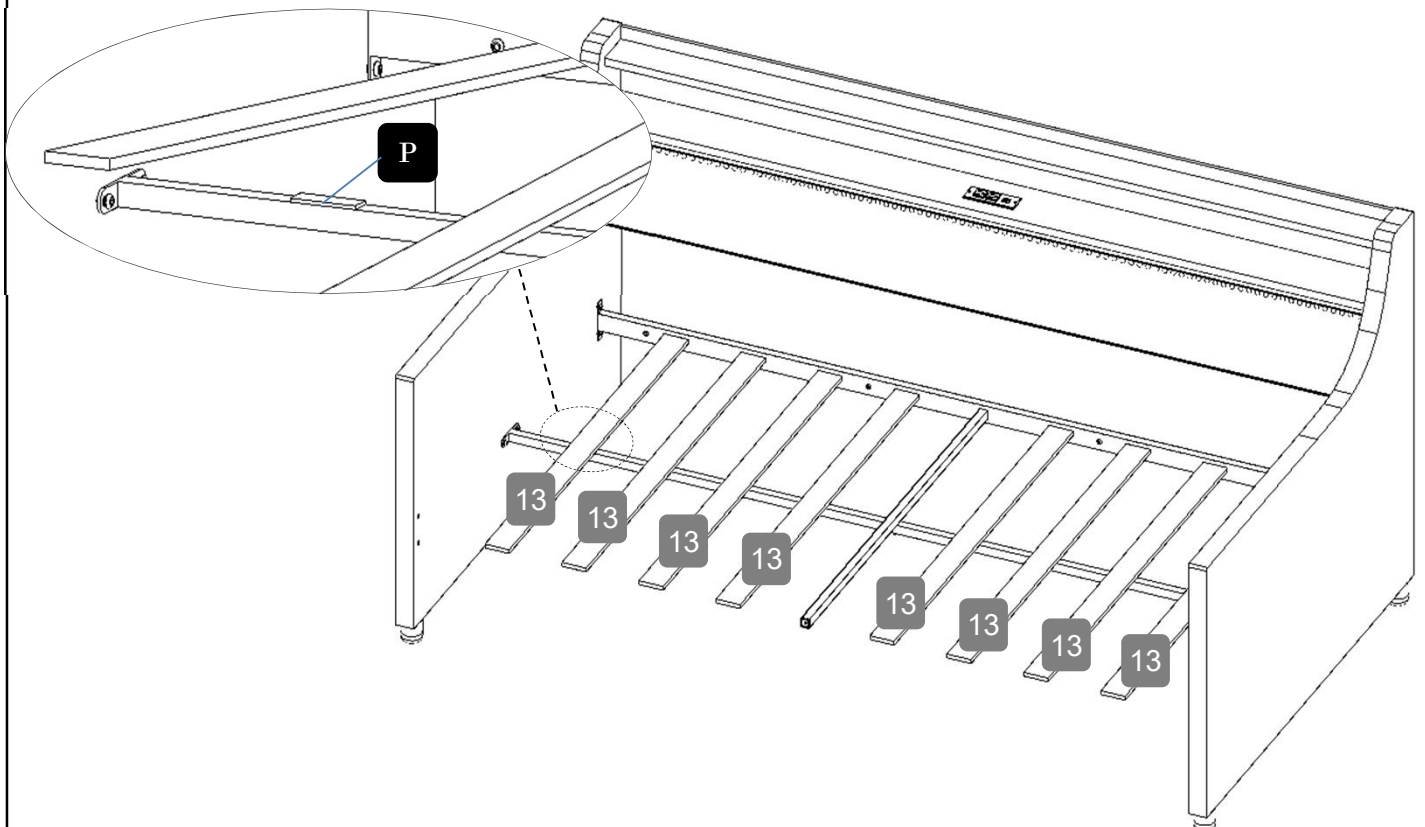
Step11

P



Foam Pad X8

Paste foam pad where the bed slats touch the rail



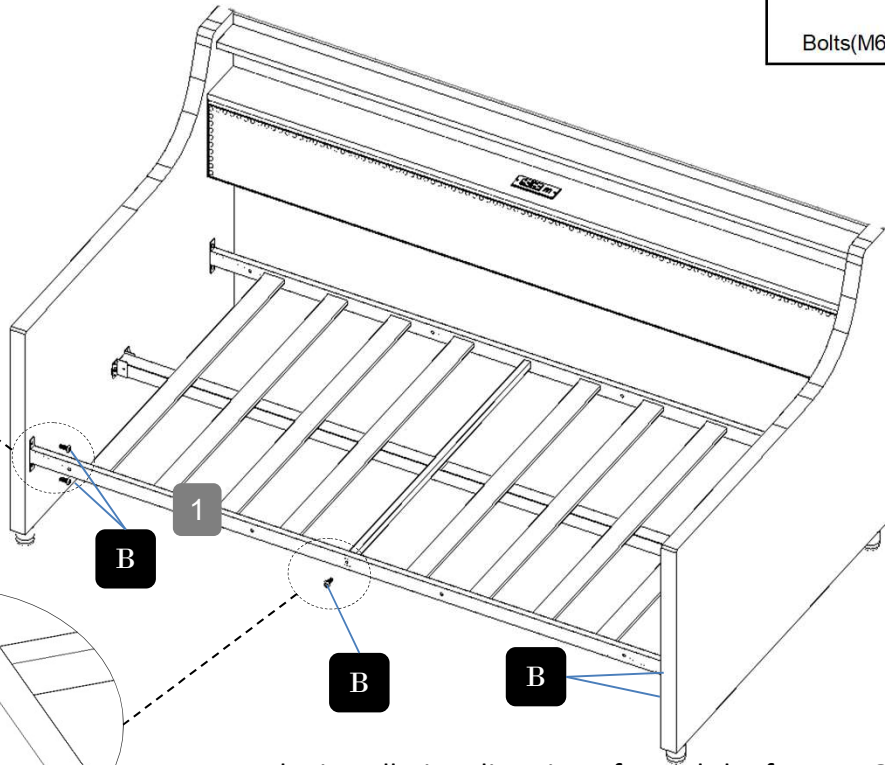
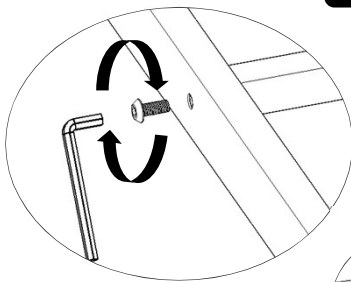
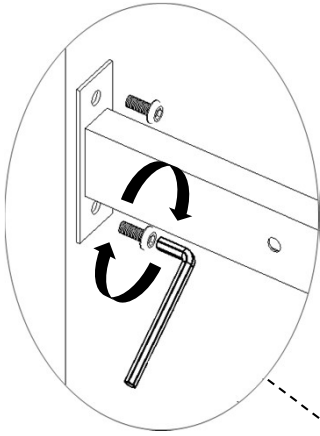
Page 8 of 11

Step12

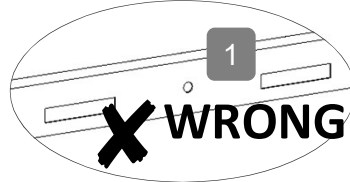
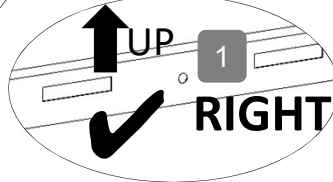
B



Bolts(M6X16mm) X5



Note the installation direction of metal slat frame NO.1

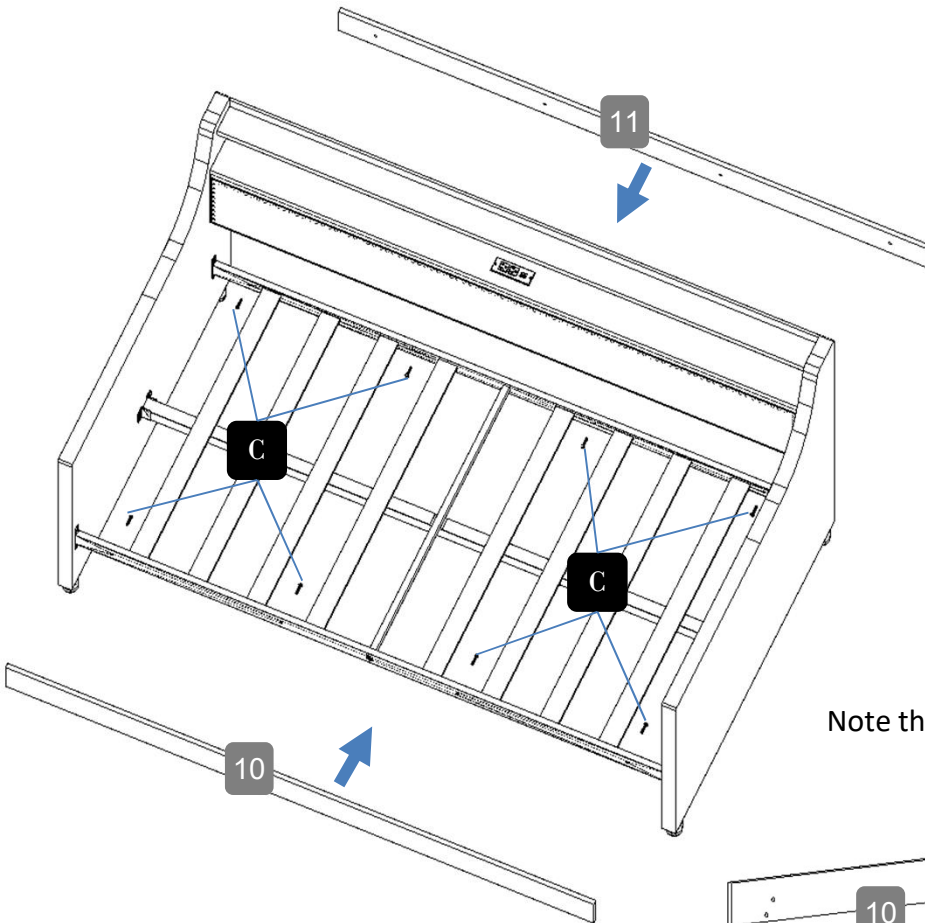


Step13

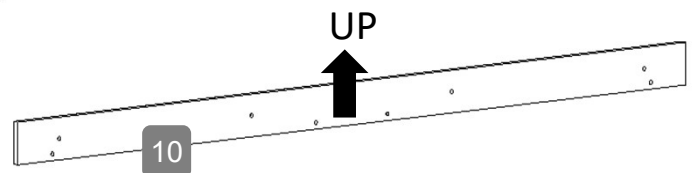
C



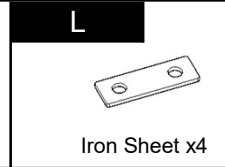
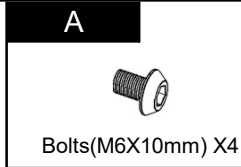
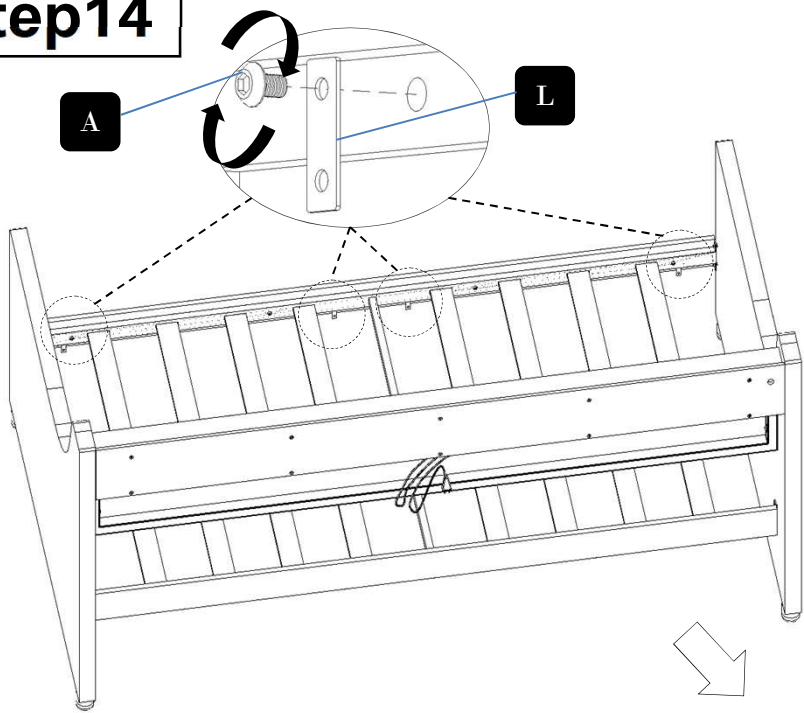
Bolts(M6X30mm) X8



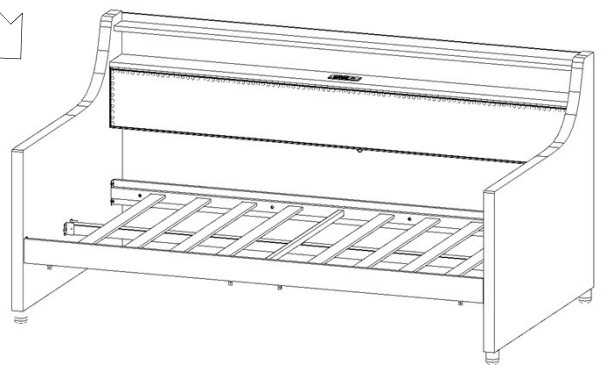
Note the installation direction of panel NO.10



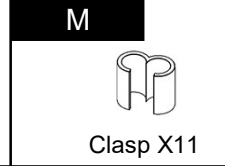
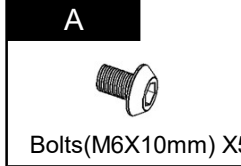
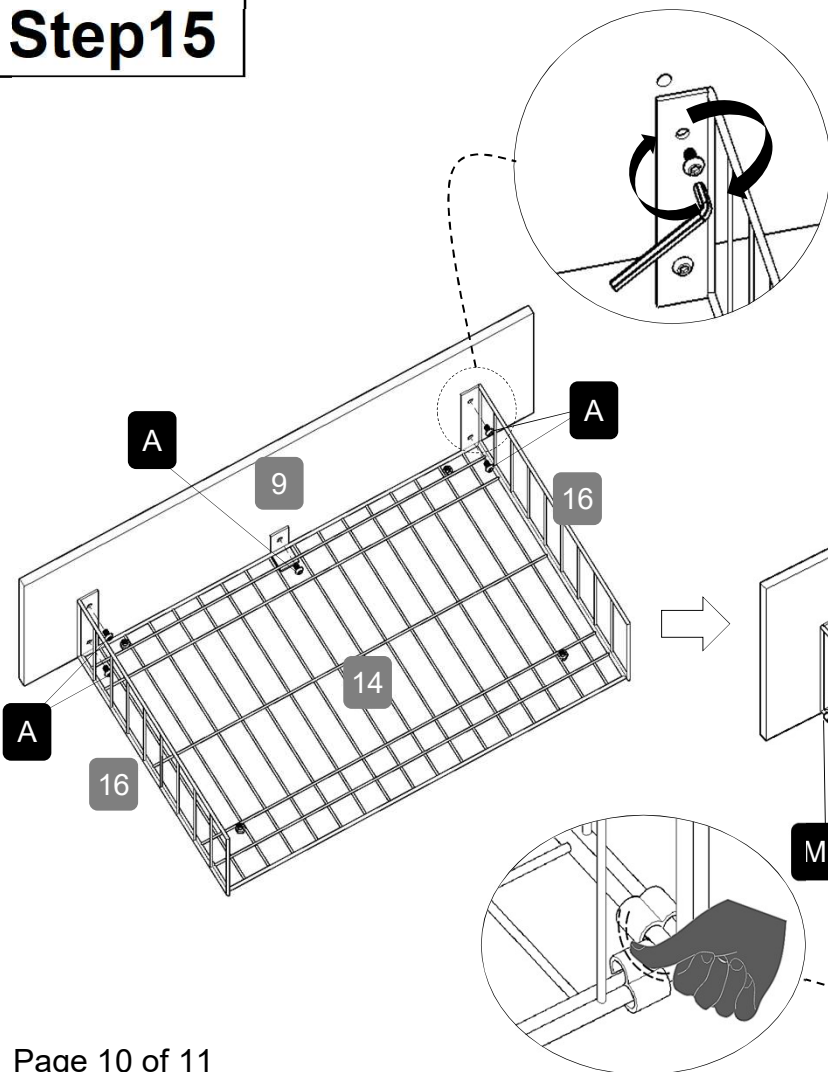
Step14



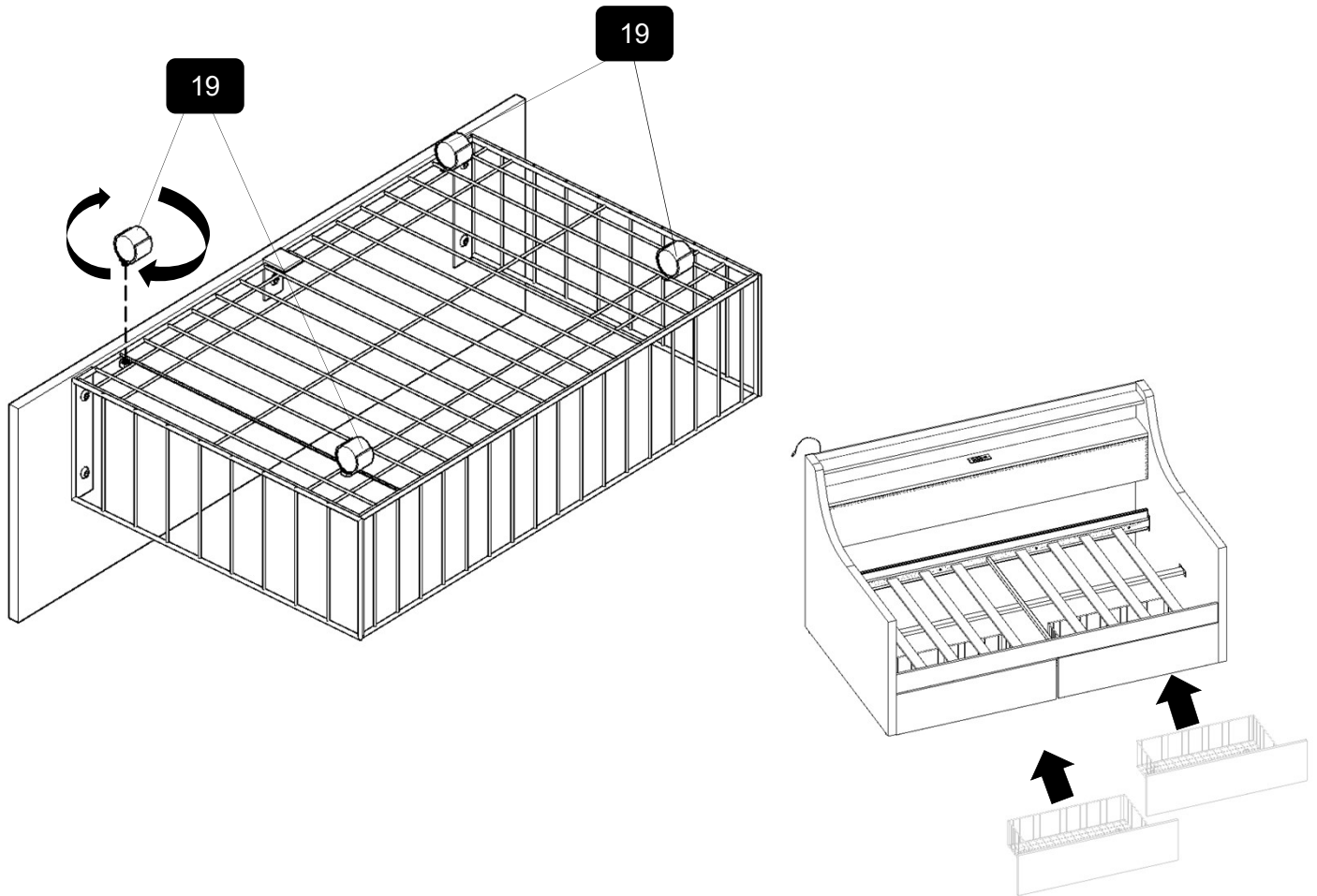
After this step, you can lock the other bolts tightly



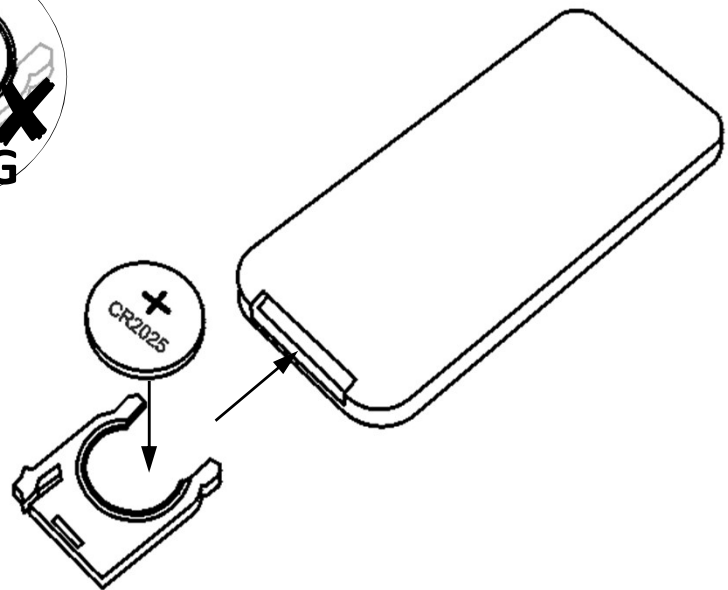
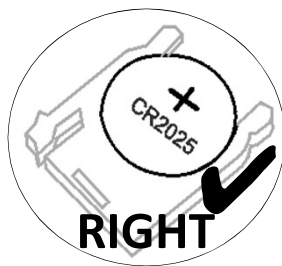
Step15



Step16



Step17



Remote control does not contain batteries, please buy your own a CR2025 button battery installed into the remote control