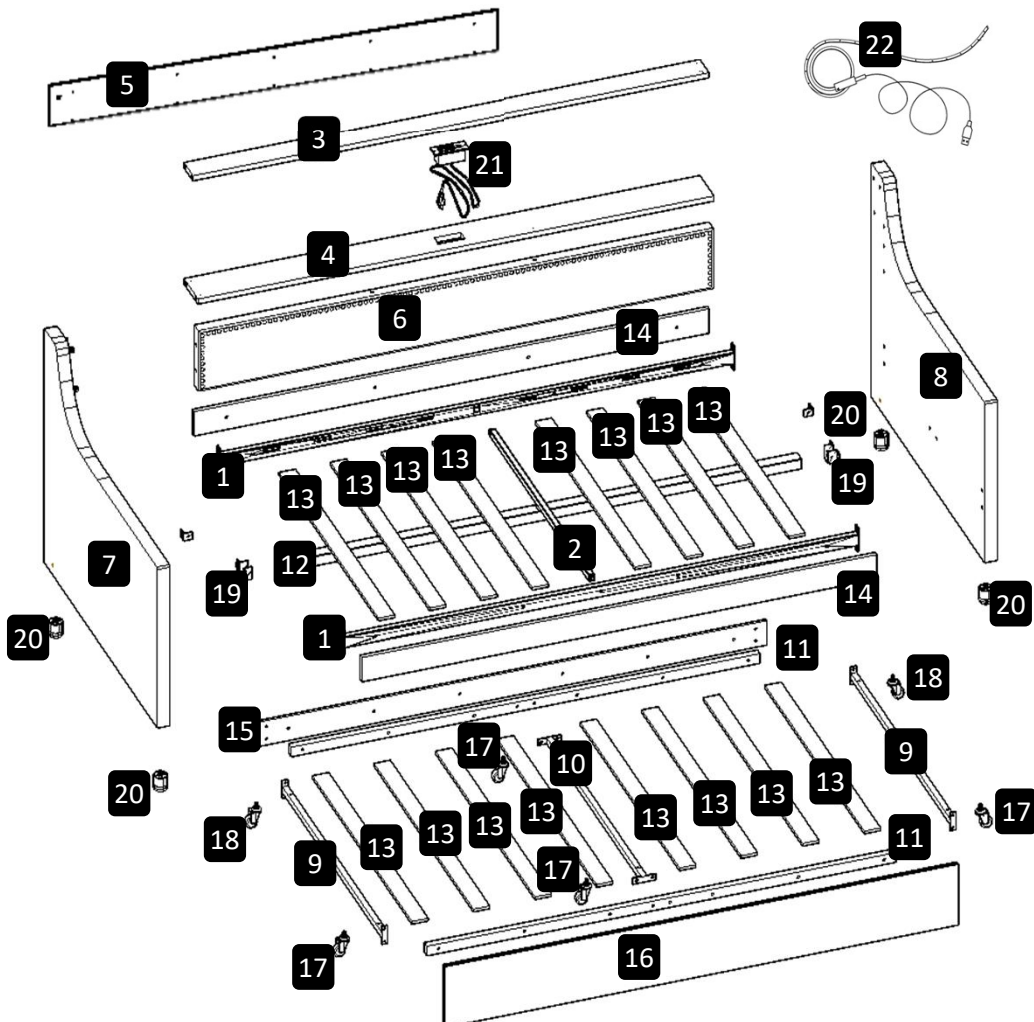
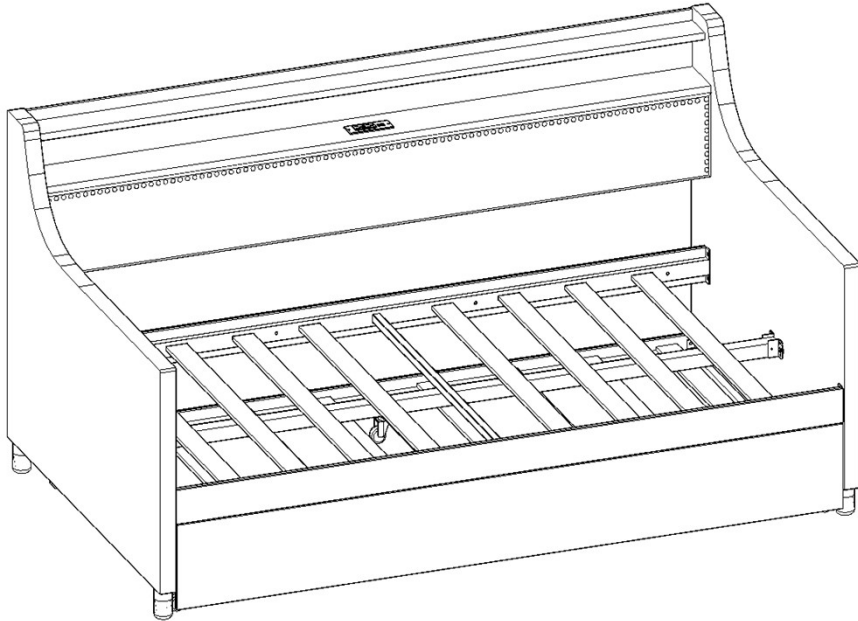


ASSEMBLY INSTRUCTION

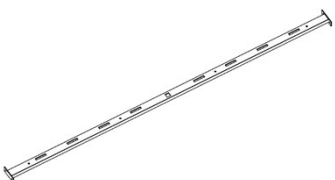
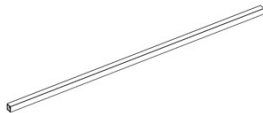

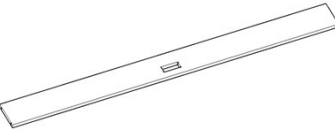
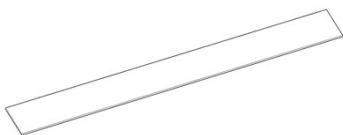
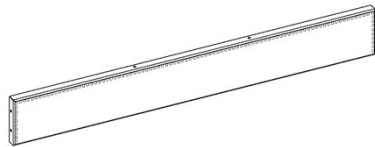
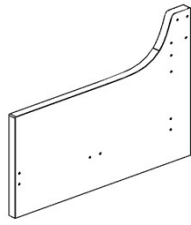
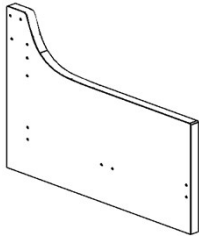
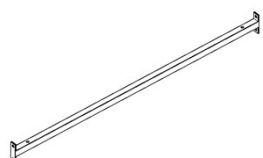
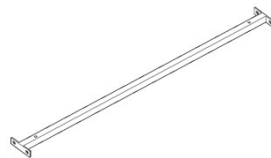
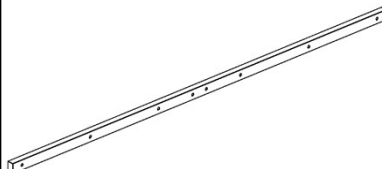
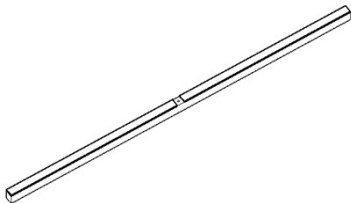

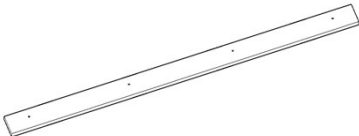
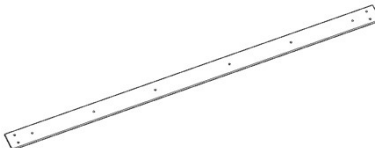
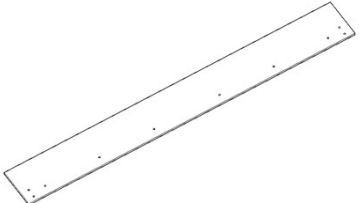

BW00048AAA / BW00048AAE / BW00048AAK

TIPS

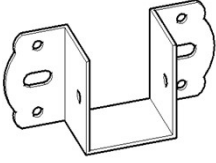

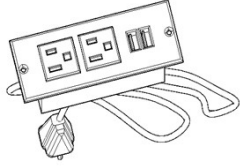
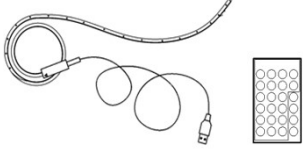
1. This bed fit standard twin mattress 75" L x 39" W.
2. Always use the recommended size mattresses or mattress supports, or both, to help prevent the likelihood of entrapment or falls.
3. Do not allow horseplay on or under the bed and prohibit jumping on the bed.
4. Do not use substitute part. Contact the manufacture or dealer for replacement part.








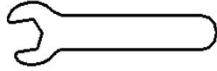



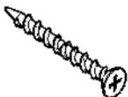


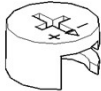

Part List

<p>1</p>  <p>Metal Slat Frame x2</p>	<p>2</p>  <p>Rail x1</p>	<p>3</p>  <p>Panel x1</p>
<p>4</p>  <p>Panel x1</p>	<p>5</p>  <p>Backboard x1</p>	<p>6</p>  <p>Headboard x1</p>
<p>7</p>  <p>Left Handrail x1</p>	<p>8</p>  <p>Right Handrail x1</p>	<p>9</p>  <p>Connecting Iron Pipe x2</p>
<p>10</p>  <p>Connecting Iron Pipe x1</p>	<p>11</p>  <p>Support Slat x2</p>	<p>12</p>  <p>Lower Support Slat x1</p>
<p>13</p>  <p>Slats x16</p>	<p>14</p>  <p>Panel x2</p>	<p>15</p>  <p>Back Trundle Panel x1</p>
<p>16</p>  <p>Front Trundle Panel x1</p>	<p>17</p>  <p>Caster x4</p>	

Part List

<p>19</p>  <p>U-Shaped Bracket x2</p>	<p>20</p>  <p>Plastic Feet x4</p>	<p>21</p>  <p>Socket X1</p>
<p>22</p>  <p>Lamp Strip Kit x1</p>		

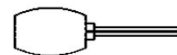
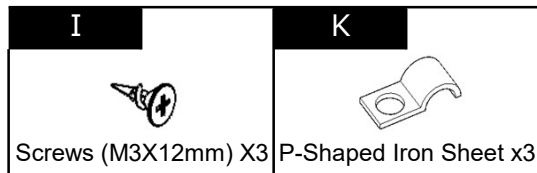
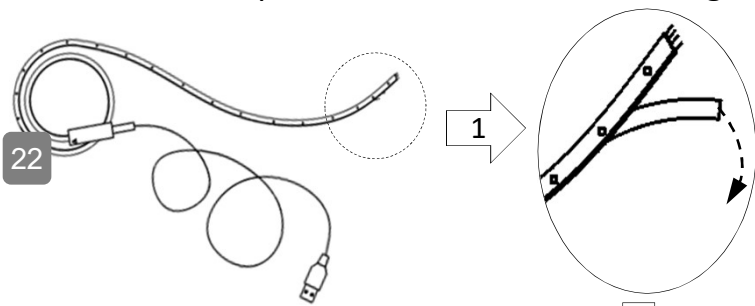
Hardware List

<p>A</p>  <p>Bolts(M6X10mm) X8</p>	<p>B</p>  <p>Bolts(M6X16mm) X18</p>	<p>C</p>  <p>Bolts(M6X30mm) X8</p>
<p>D</p>  <p>Bolts(M6X35mm) X14</p>	<p>E</p>  <p>Bolts(M6X50mm) X5</p>	<p>F</p>  <p>Spanner(M6) X1</p>
<p>G</p>  <p>Allen Key X1</p>	<p>H</p>  <p>Flat Gasket X18</p>	<p>I</p>  <p>Screws (M3X12mm) X5</p>
<p>J</p>  <p>Screws (M4X25mm) X10</p>	<p>K</p>  <p>P-Shaped Iron Sheet x3</p>	<p>L</p>  <p>Angle iron x2</p>
<p>M</p>  <p>Eccenter X8</p>	<p>N</p>  <p>Connecting screw rod X8</p>	

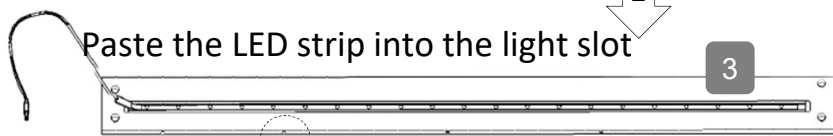
Step1

Attention: Do not tighten the screws before completing the entire installation. If you have any difficulty with the installation process, please feel free to contact us.

Tear the tape from the back of the LED light

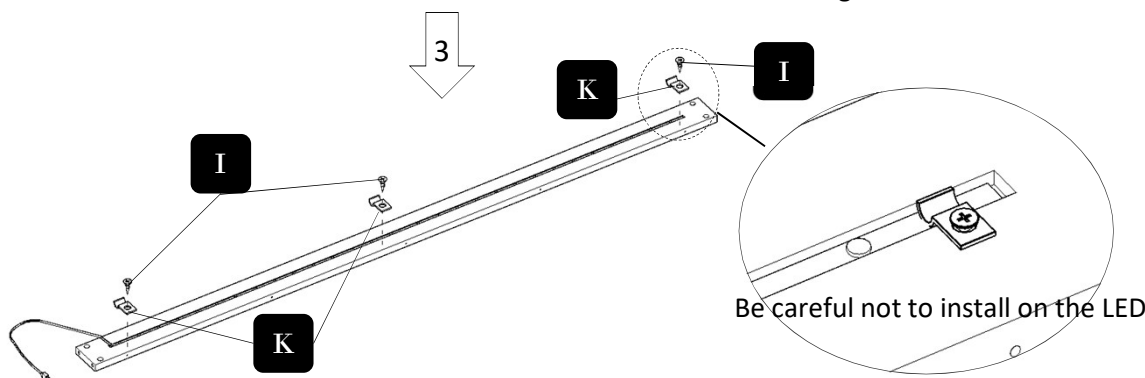


Assembly Tools Required(Not Included)



Paste the LED strip into the light slot

Watch the direction. There are screw holes on the edge of the board

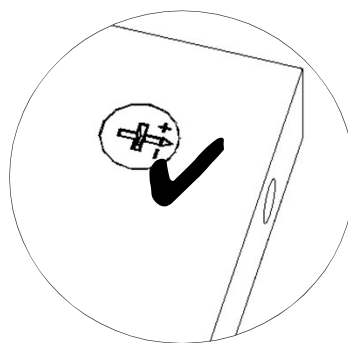


Step2

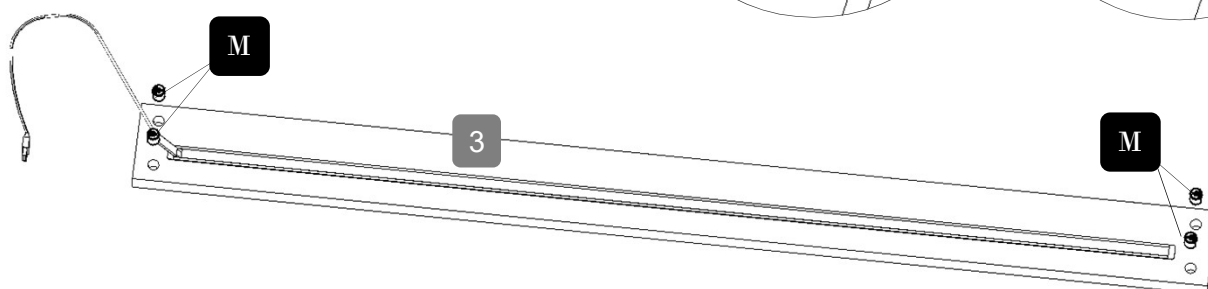
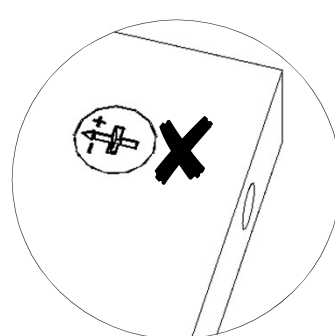
M



RIGHT



WRONG



Step3

I

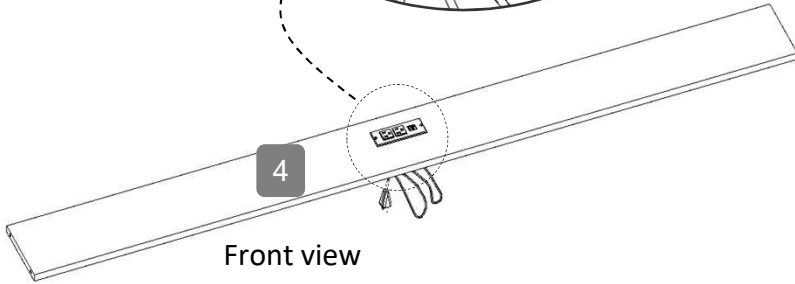
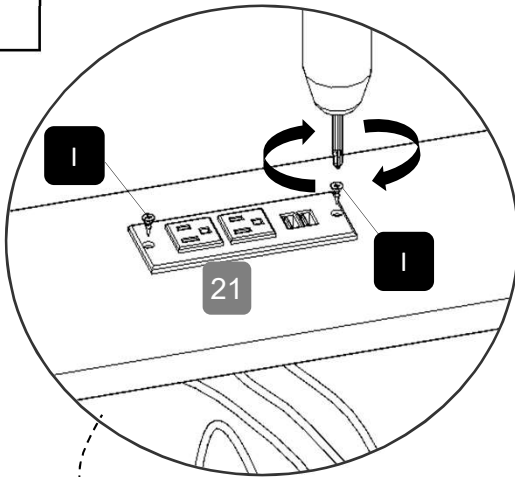


Screws (M3X12mm) X2

M

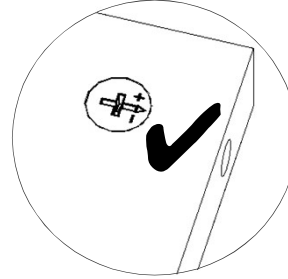


Eccenter X4

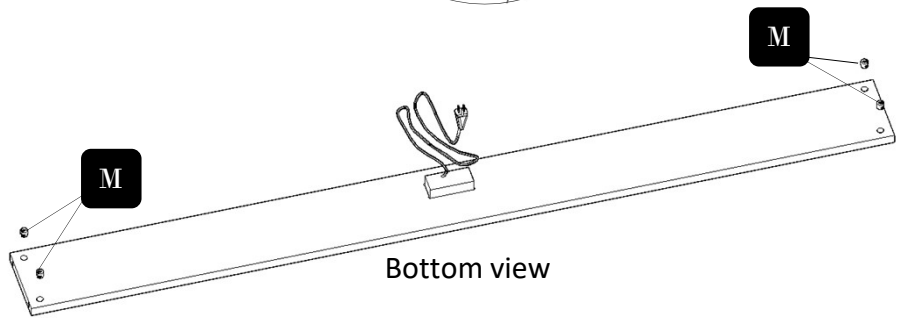
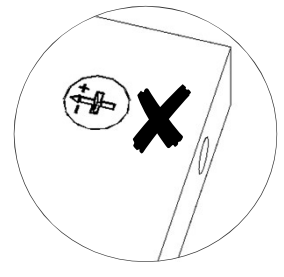


Front view

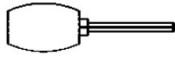
RIGHT



WRONG



Bottom view



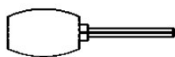
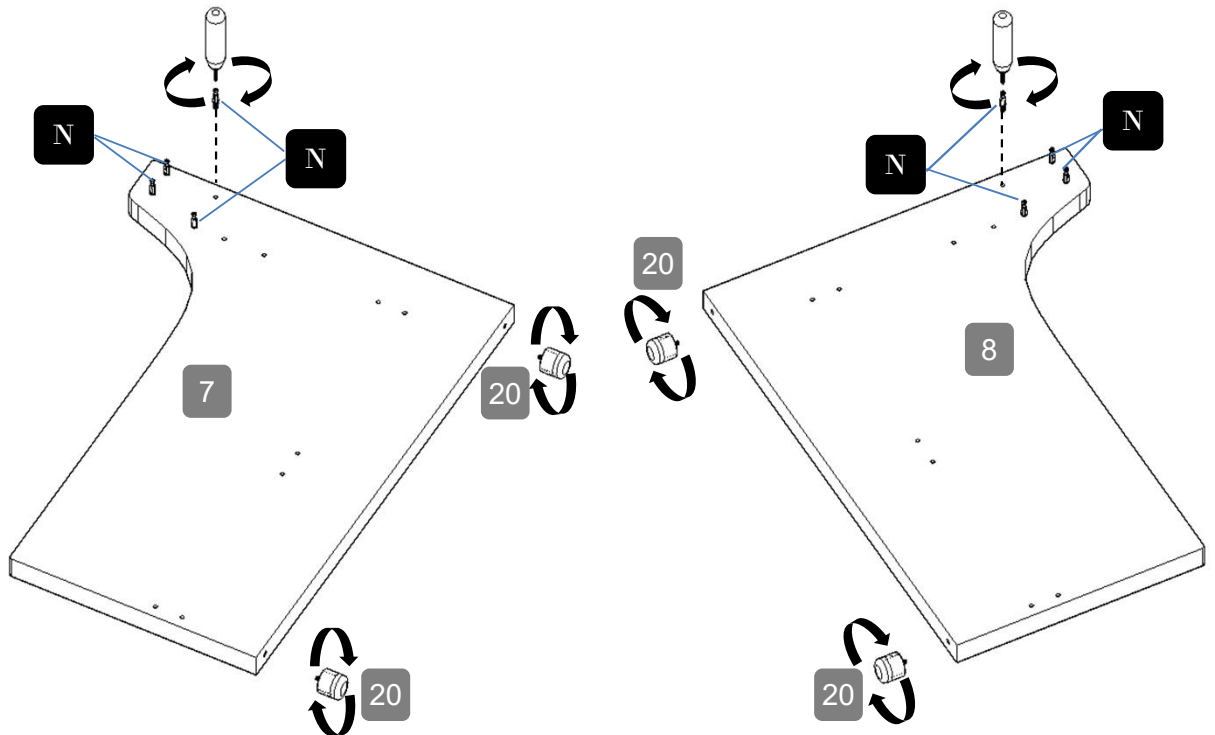
Assembly Tools Required(Not Included)

Step4

N

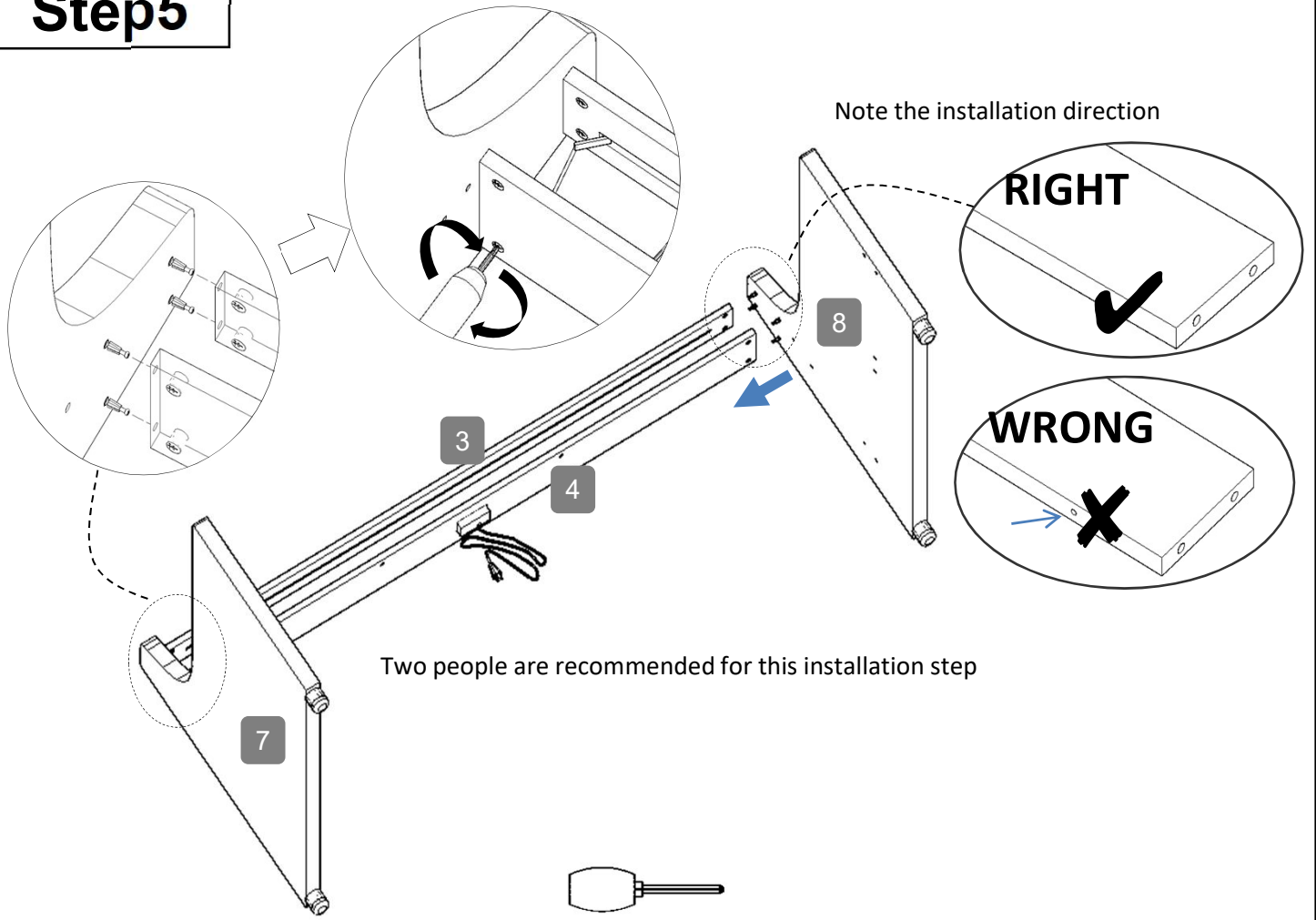


Connecting screw rod X8



Assembly Tools Required(Not Included)

Step5



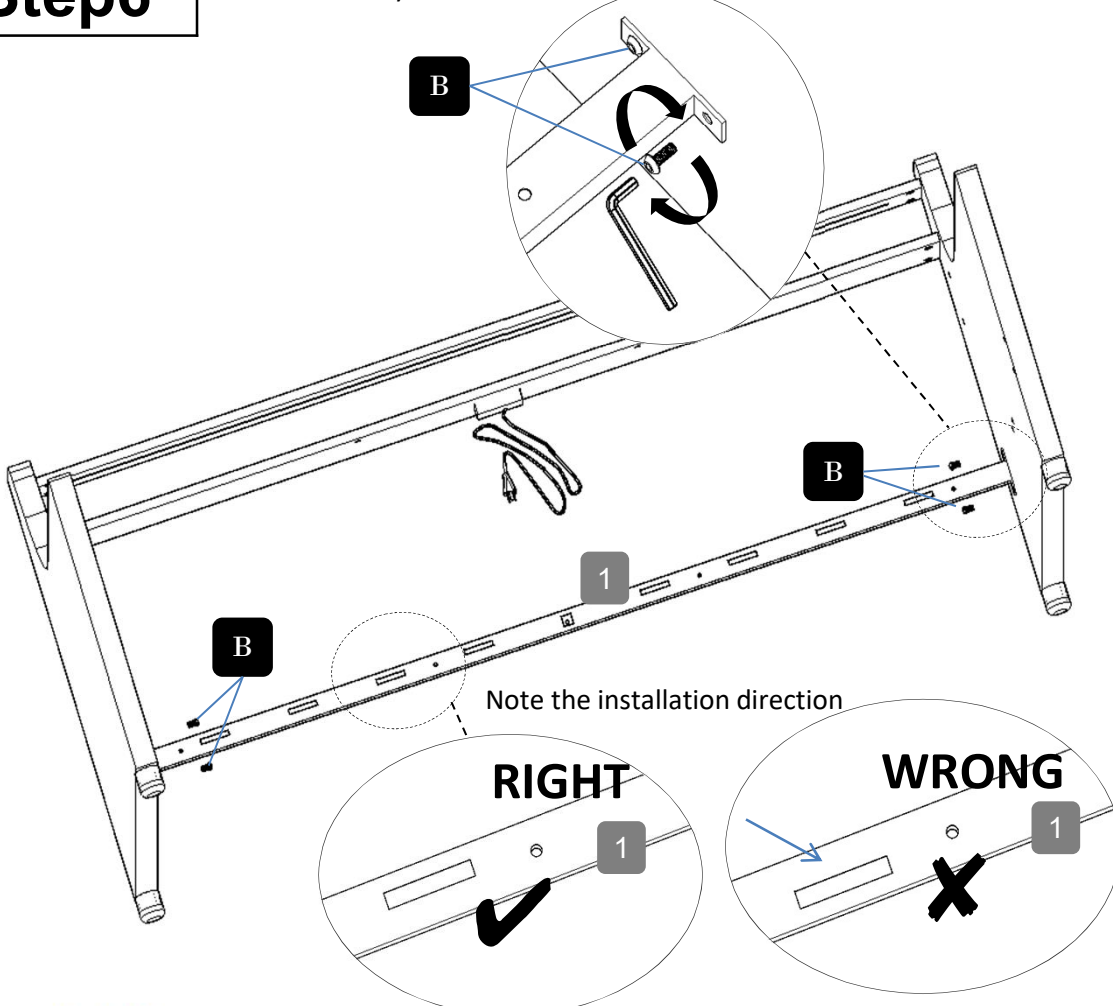
Step6

Use your bare hands or a tool to turn the screw to 80%

B



Bolts(M6X16mm) X4

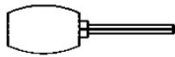
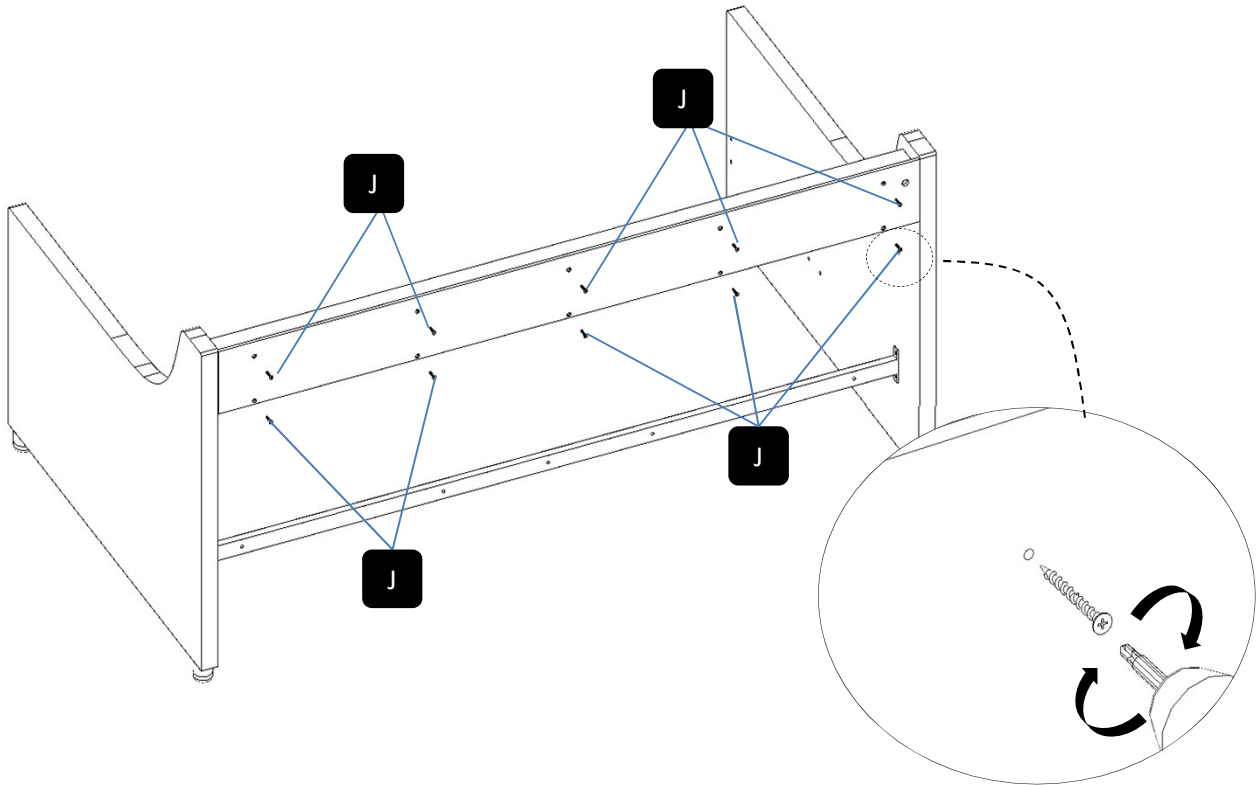


Step7

J



Screws (M4X25mm) X10



Assembly Tools Required(Not Included)

Step8

D



Bolts(M6X35mm) X2

E

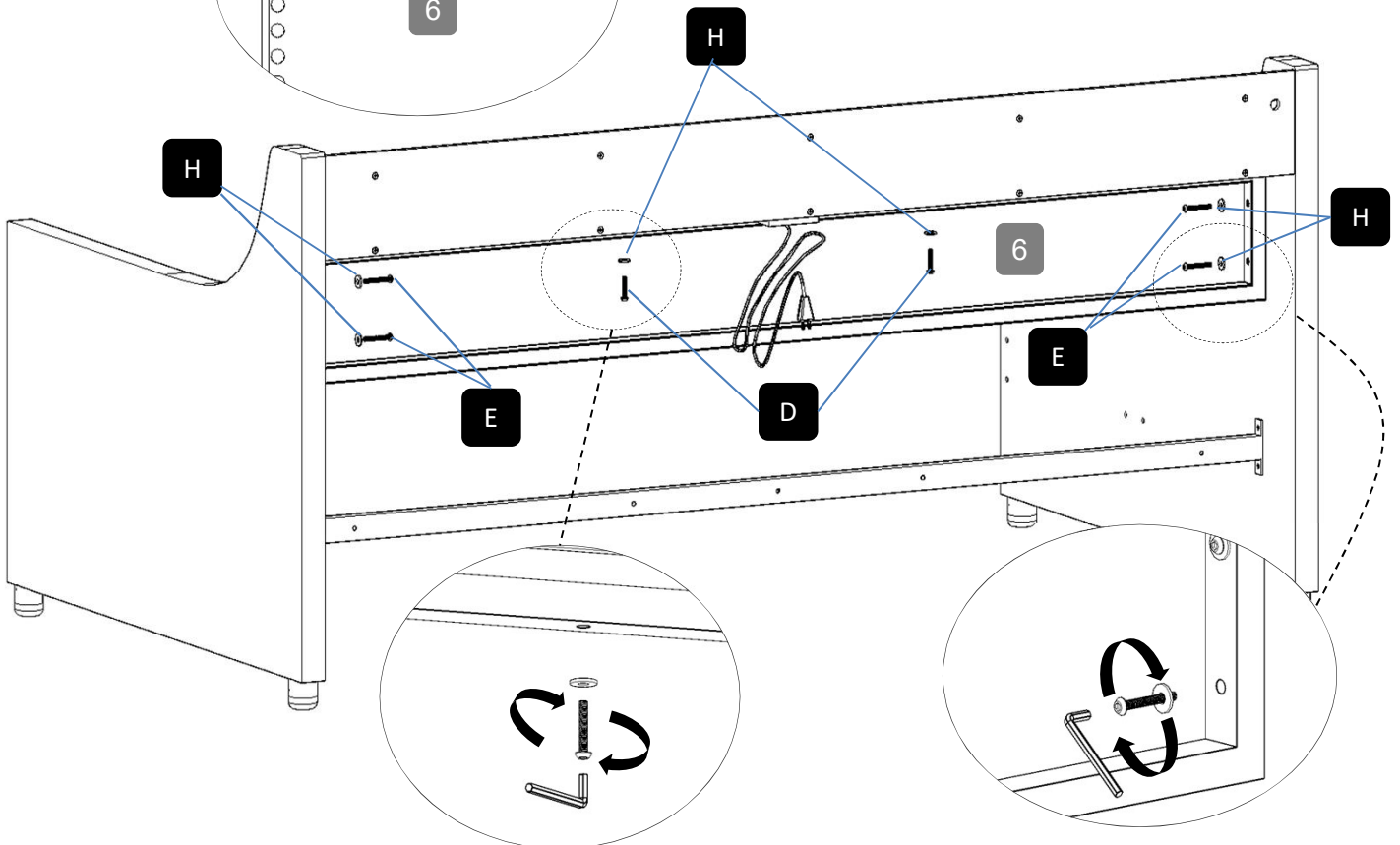
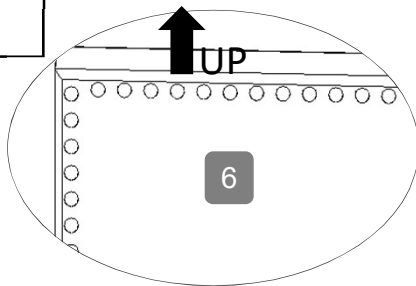


Bolts(M6X50mm) X4

H



Flat Gasket X6

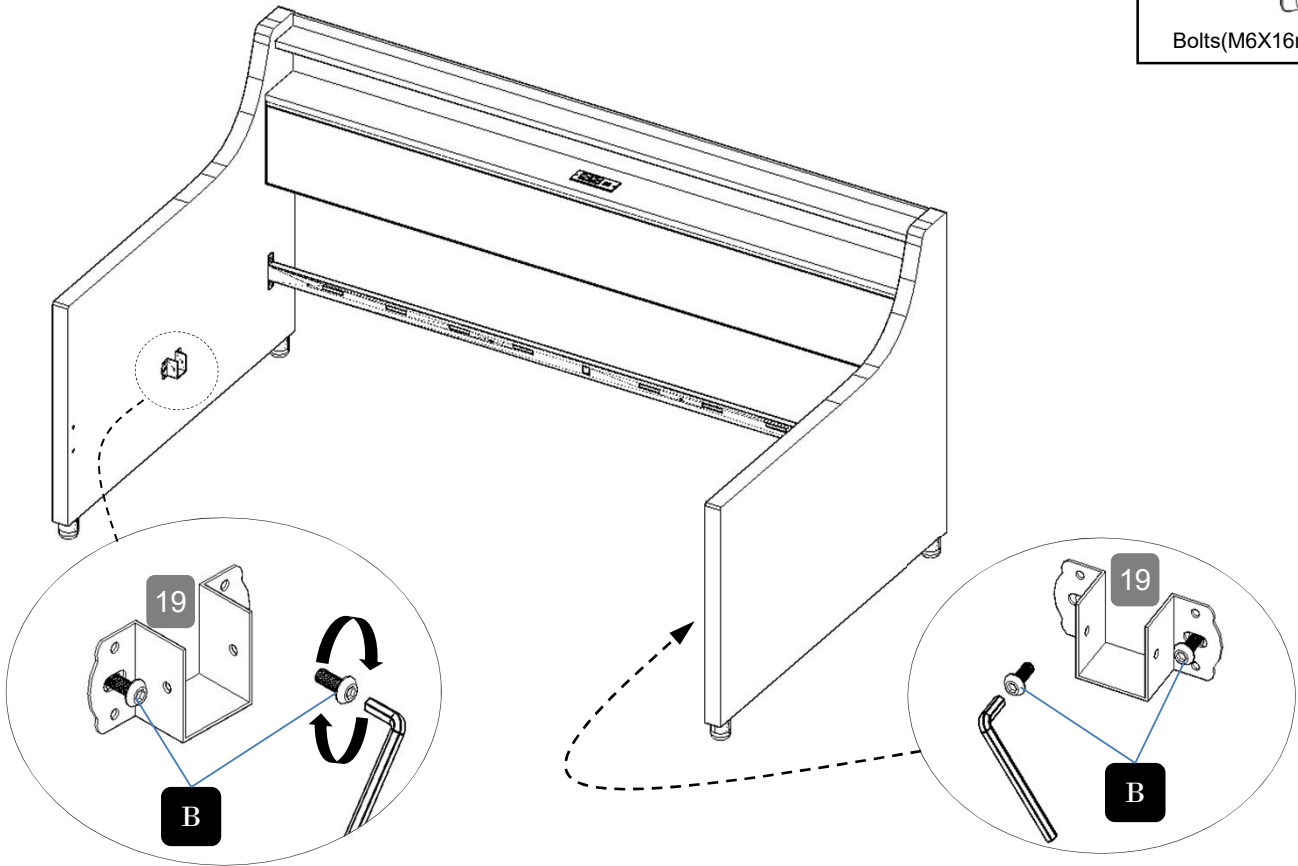


Step9

B



Bolts(M6X16mm) X4



Step10

B

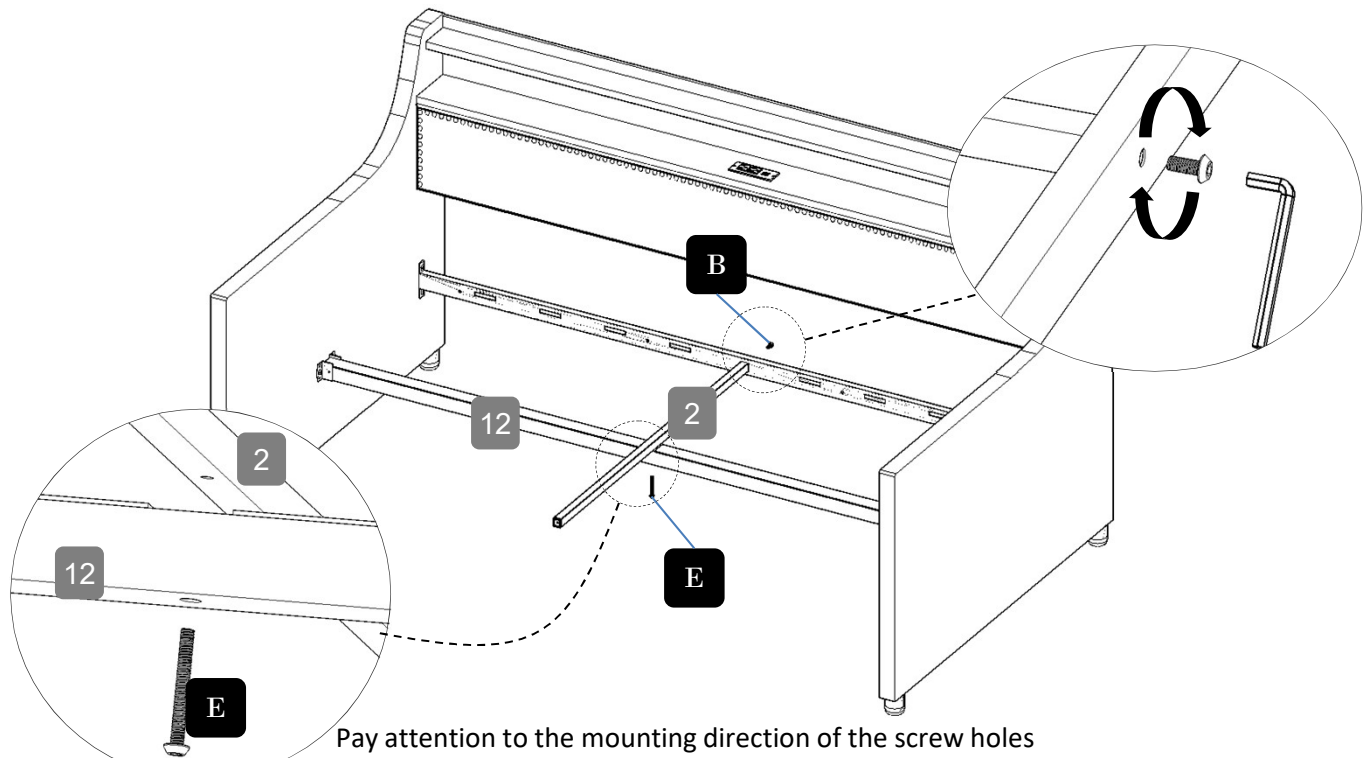


Bolts(M6X16mm) X1

E



Bolts(M6X50mm) X1



12

2

12

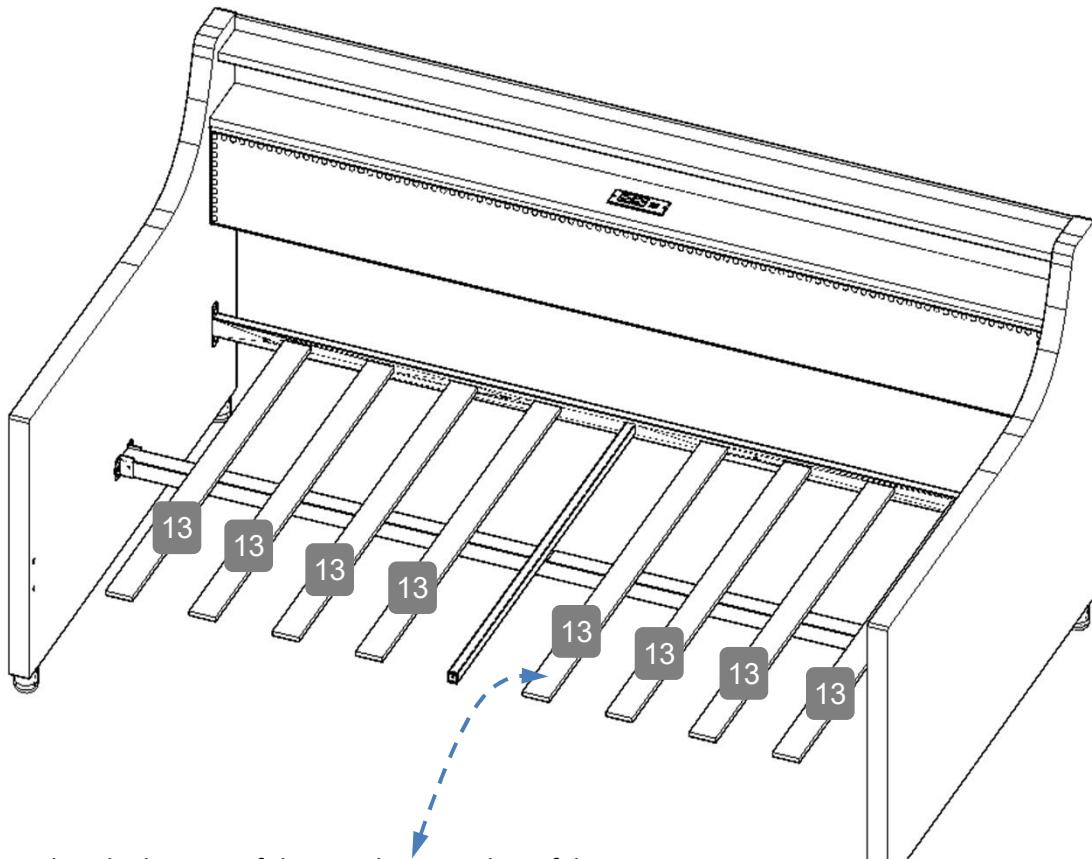
2

E

Bottom view

Pay attention to the mounting direction of the screw holes

Step11



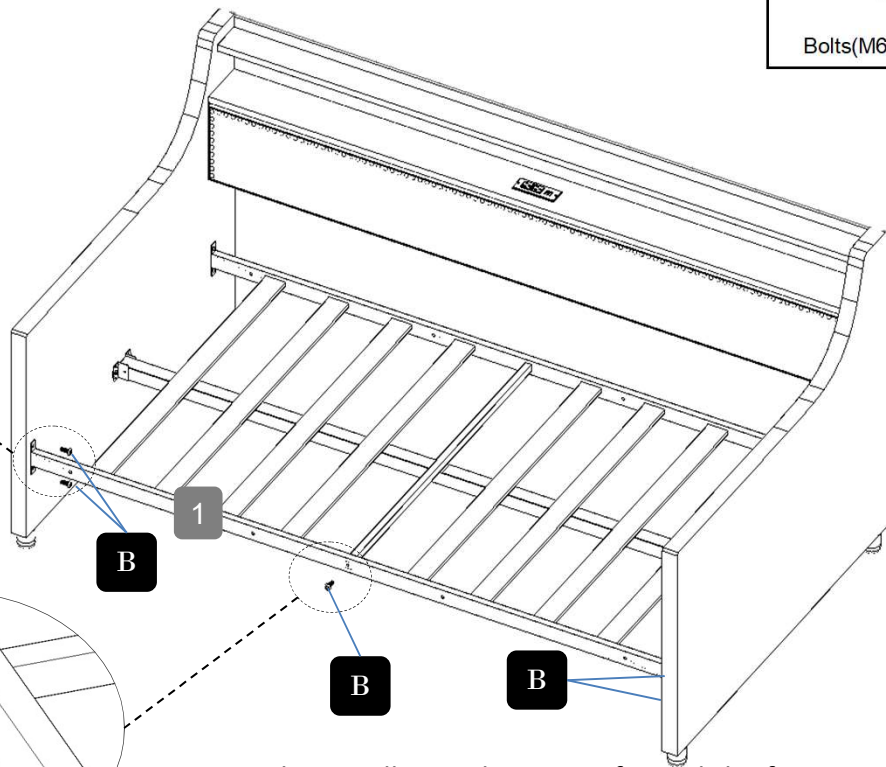
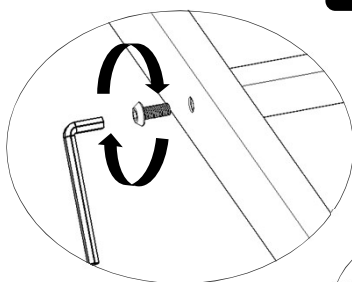
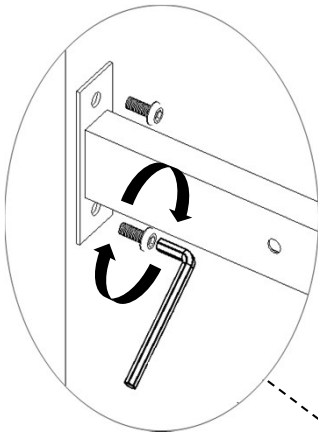
Please note that the bottom of these 8 slats is without felt, and the bottom of the other 8 slats with felt is used in step 18 of the installation diagram

Step12

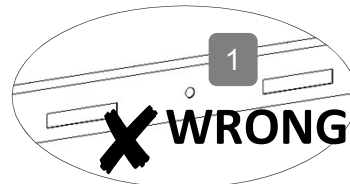
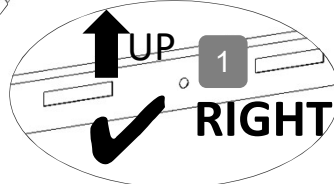
B



Bolts(M6X16mm) X5



Note the installation direction of metal slat frame NO.1

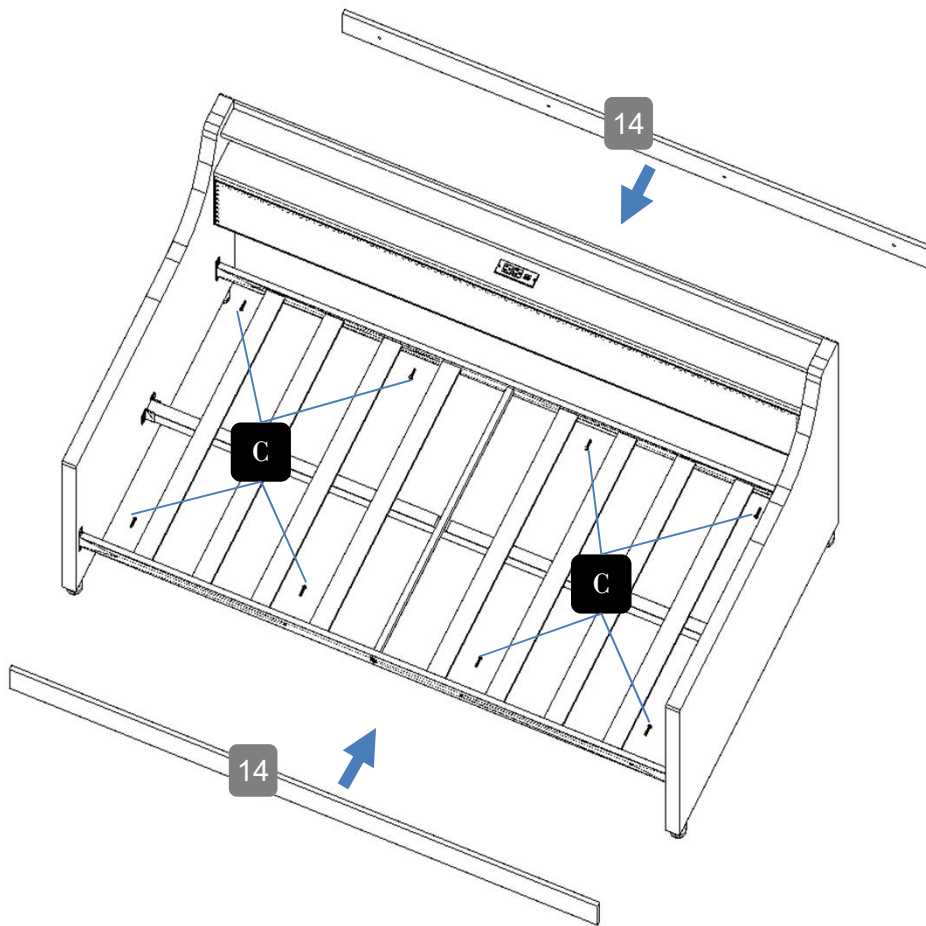


Step13

C



Bolts(M6X30mm) X8



Step14

B



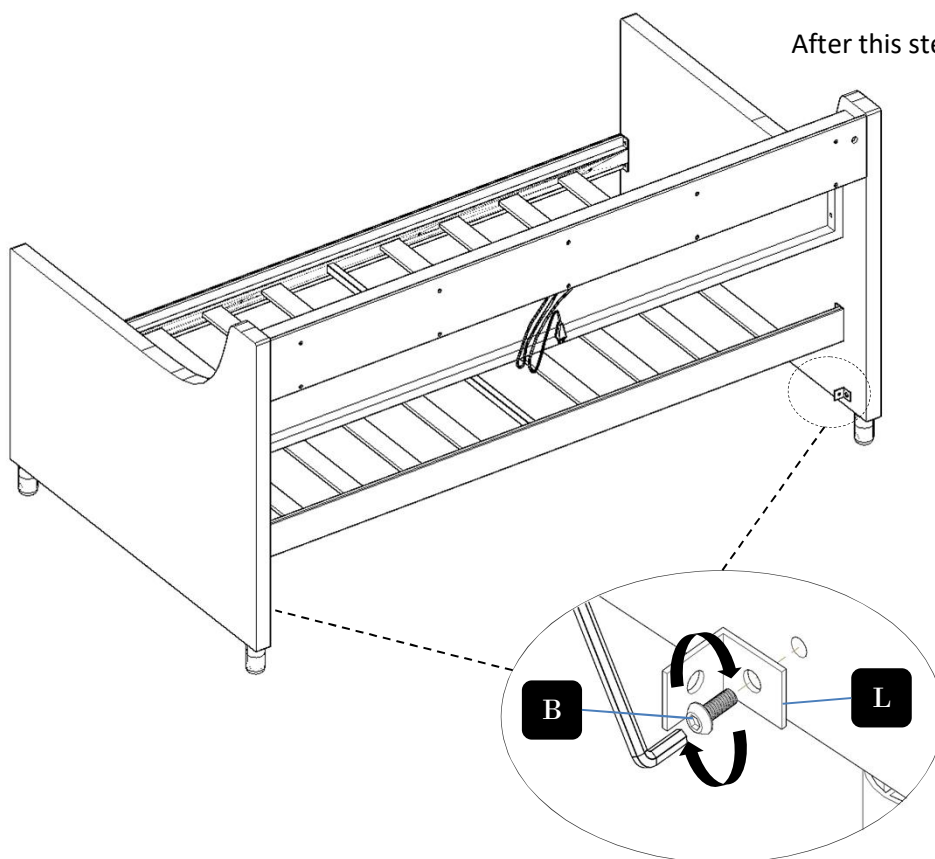
Bolts(M6X16mm) X2

L



Angle iron x2

After this step, you can lock the other bolts tightly



Step15

D

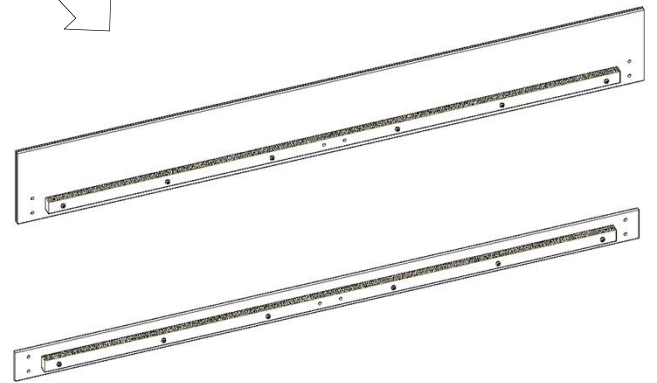
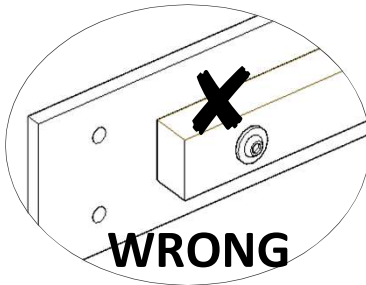
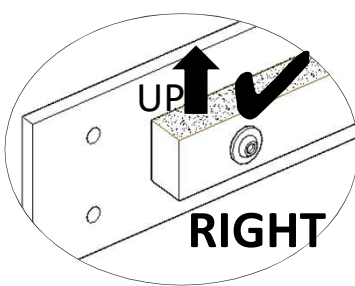
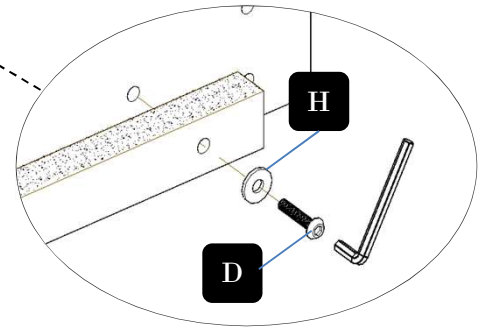
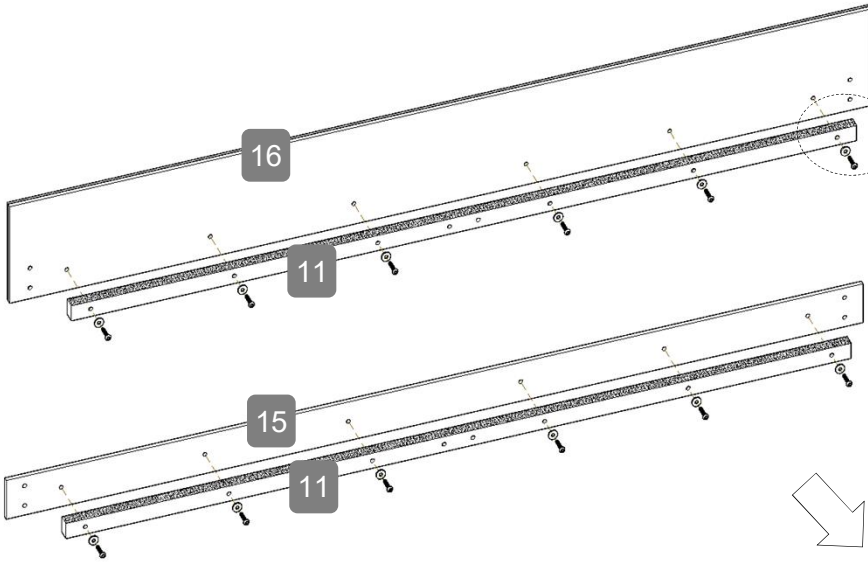


Bolts(M6X35mm) X12

H



Flat Gasket X12



Step16

A

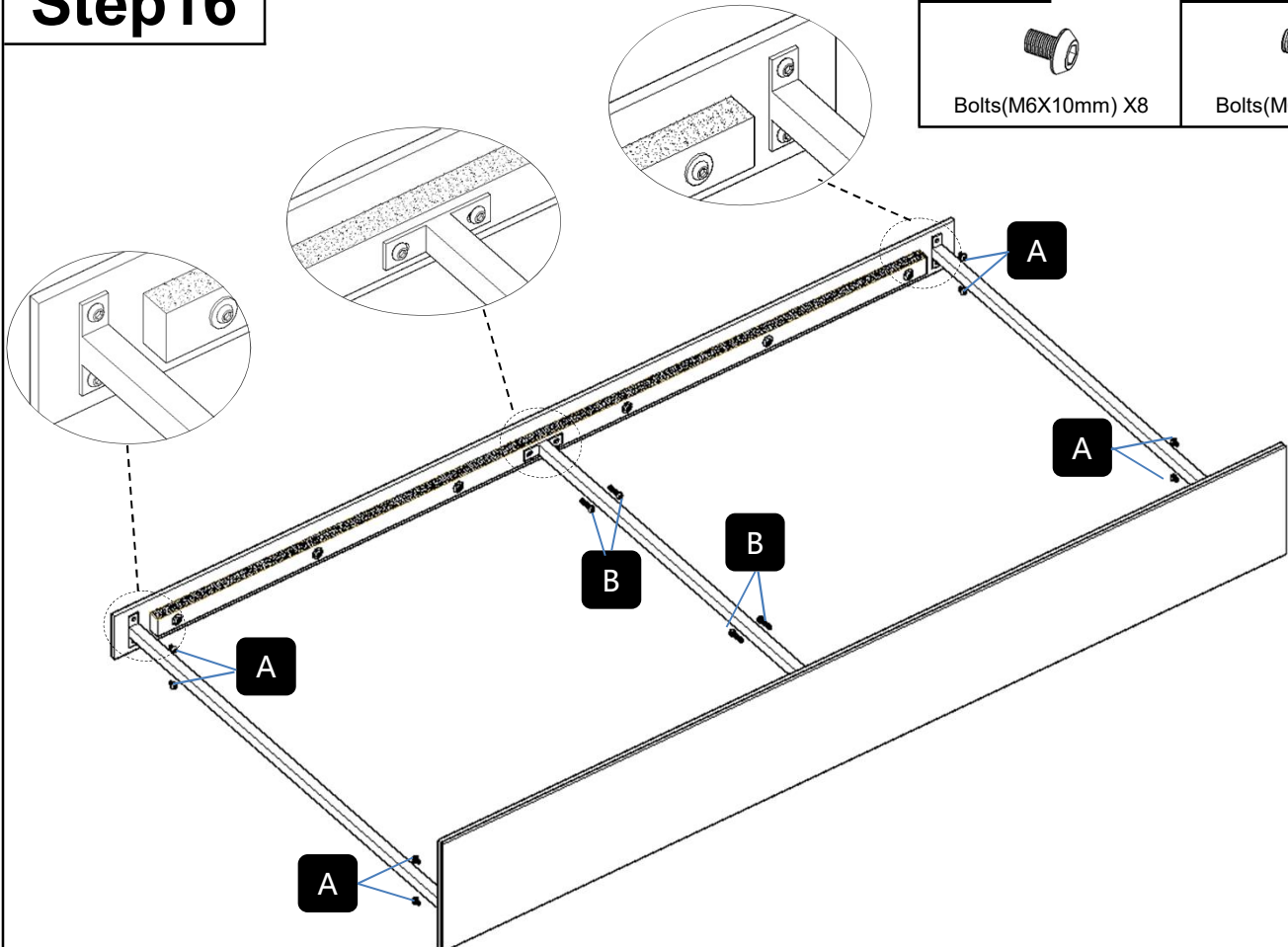


Bolts(M6X10mm) X8

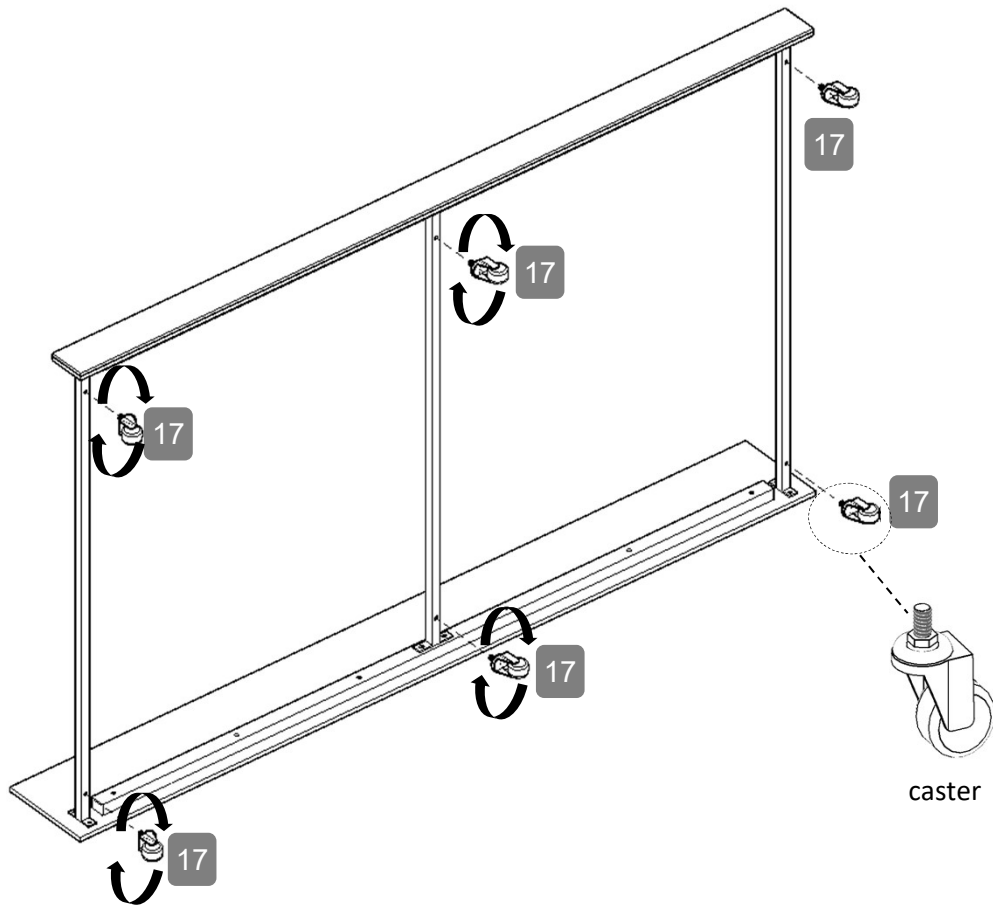
B



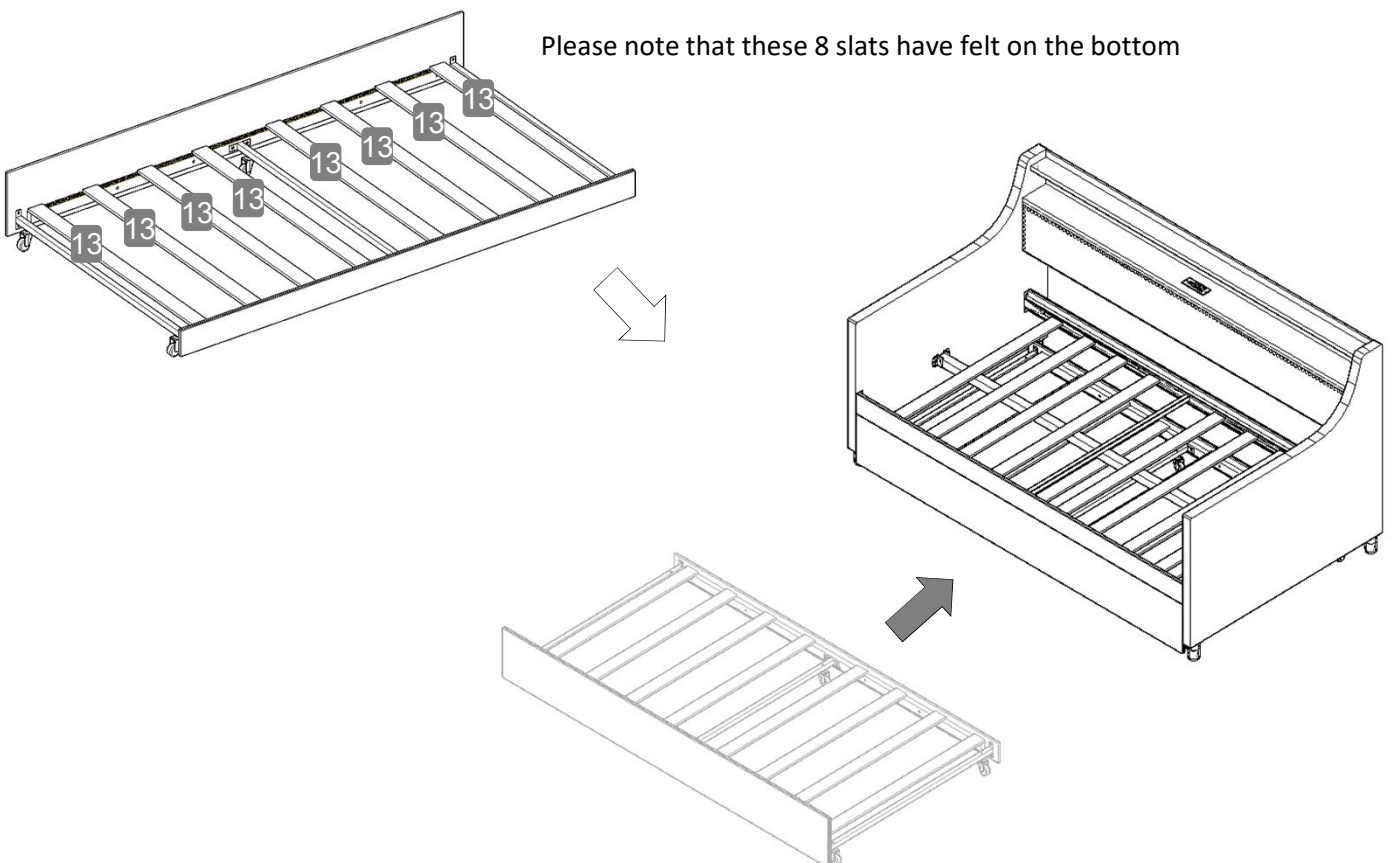
Bolts(M6X16mm) X4



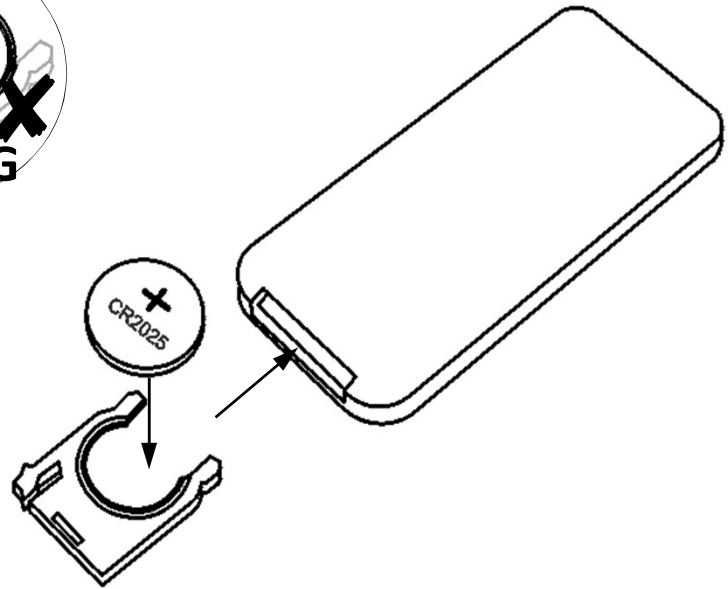
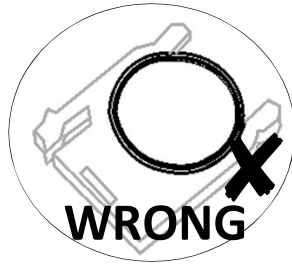
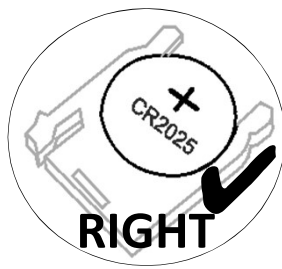
Step 17



Step 18

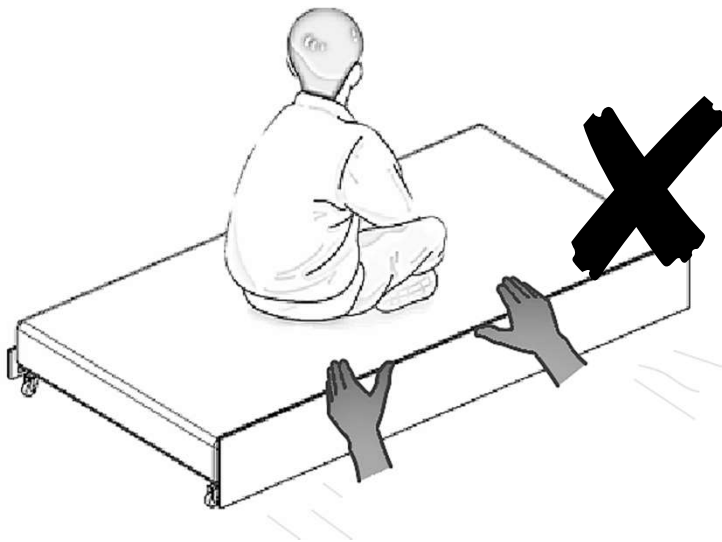


Step19



Remote control does not contain batteries, please buy your own a CR2025 button battery installed into the remote control

Step20



Note: Please don't move the bed when someone is in it