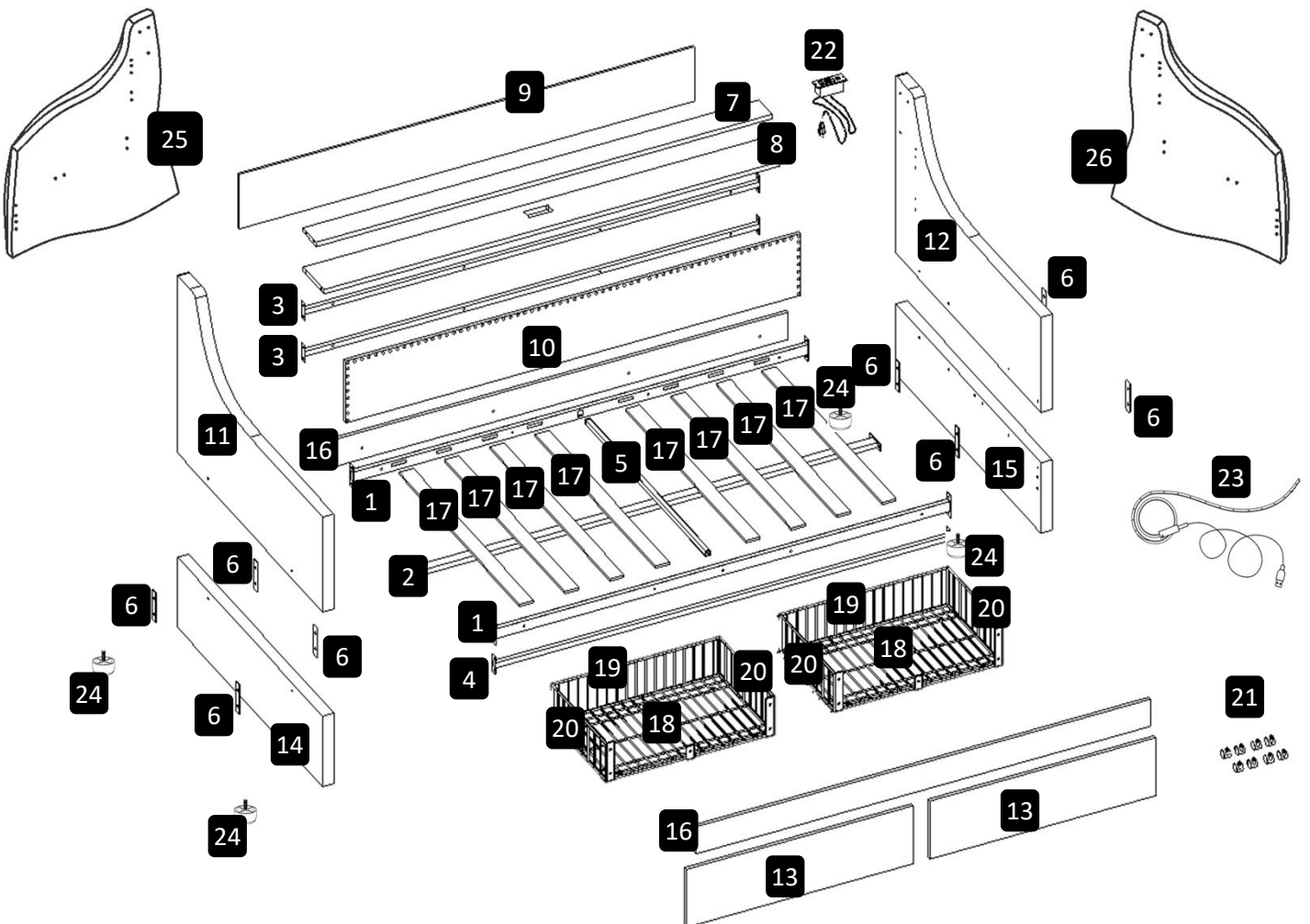
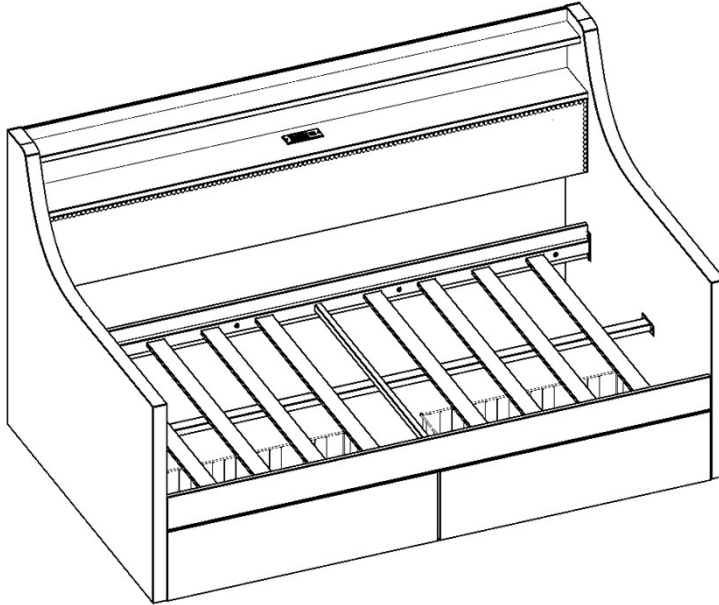


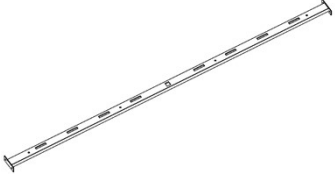
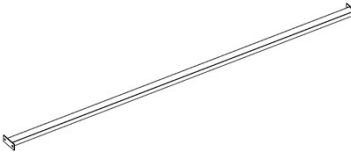
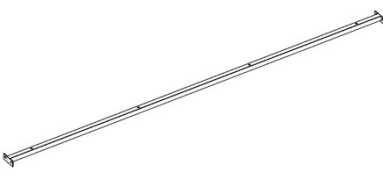
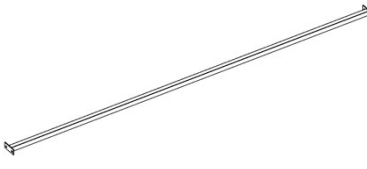
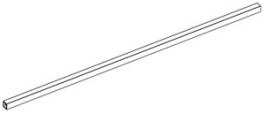


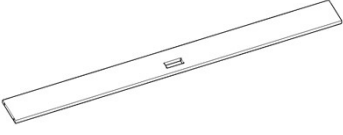
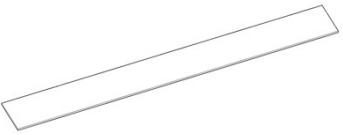
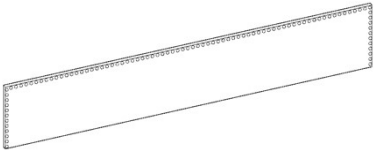
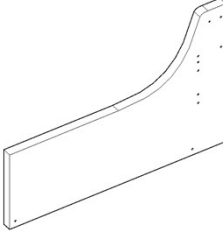
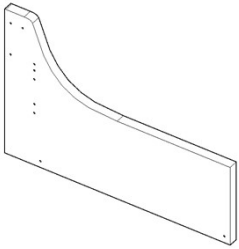
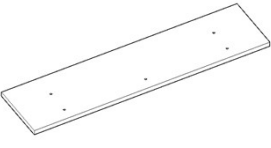
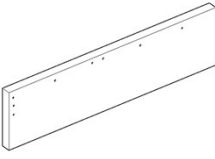
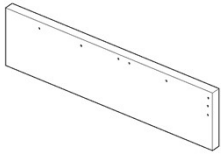
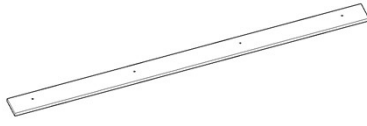


# ASSEMBLY INSTRUCTION

W00042AAA / W00042AAE/ W00042AAK


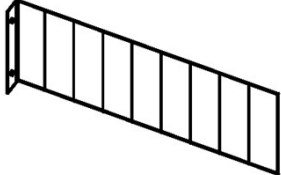
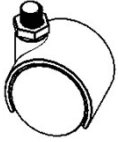
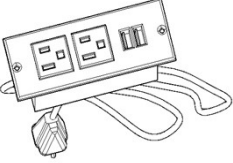
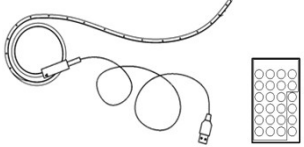
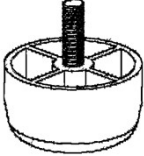
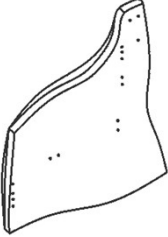
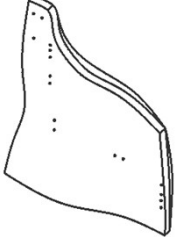

- TIPS**
1. This bed fit standard twin mattress 75" L x 39" W.
  2. Always use the recommended size mattresses or mattress supports, or both, to help prevent the likelihood of entrapment or falls.
  3. Do not allow horseplay on or under the bed and prohibit jumping on the bed.
  4. Do not use substitute part. Contact the manufacture or dealer for replacement part.










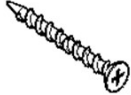
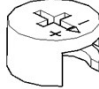

# Part List

<p><b>1</b></p>  <p>Metal Slat Frame x2</p>	<p><b>2</b></p>  <p>Support Frame x1</p>	<p><b>3</b></p>  <p>Rail x2</p>
<p><b>4</b></p>  <p>Rail x1</p>	<p><b>5</b></p>  <p>Rail x1</p>	<p><b>6</b></p>  <p>Iron Sheet x8</p>
<p><b>7</b></p>  <p>Panel x1</p>	<p><b>8</b></p>  <p>Panel x1</p>	<p><b>9</b></p>  <p>Backboard x1</p>
<p><b>10</b></p>  <p>Headboard x1</p>	<p><b>11</b></p>  <p>Upper Handrail x1</p>	<p><b>12</b></p>  <p>Upper Handrail x1</p>
<p><b>13</b></p>  <p>Panels x2</p>	<p><b>14</b></p>  <p>Lower Handrail x1</p>	<p><b>15</b></p>  <p>Lower Handrail x1</p>
<p><b>16</b></p>  <p>Panels x2</p>	<p><b>17</b></p>  <p>Slats x8</p>	<p><b>18</b></p>  <p>Drawers Bottom Net x2</p>

## Part List

<p>19</p>  <p>Side Net x2</p>	<p>20</p>  <p>Drawers Side Net x4</p>	<p>21</p>  <p>Drawers Side Net x8</p>
<p>22</p>  <p>Socket X1</p>	<p>23</p>  <p>Lamp Strip Kit x1</p>	<p>24</p>  <p>Plastic Feet x4</p>
<p>25</p>  <p>Left Coat X1</p>	<p>26</p>  <p>Right Coat X1</p>	<p>27</p>  <p>Plastic Lamp Shade X1</p>

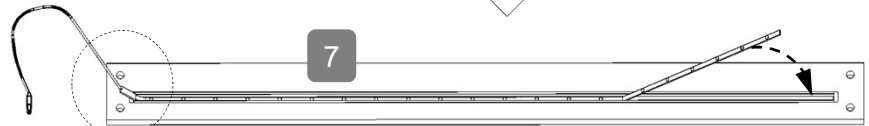
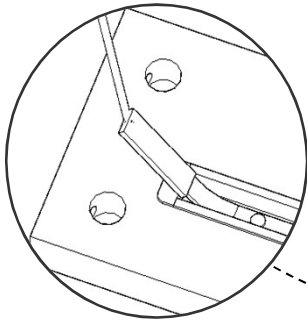
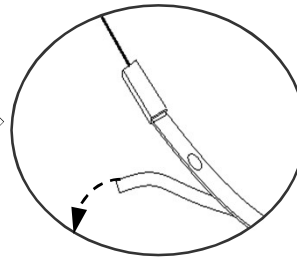
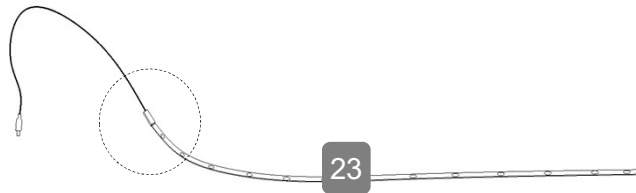
## Hardware List

<p>A</p>  <p>Bolts(M6X10mm) X10</p>	<p>B</p>  <p>Bolts(M6X12mm) X10</p>	<p>C</p>  <p>Bolts(M6X16mm) X32</p>
<p>D</p>  <p>Bolts(M6X30mm) X16</p>	<p>E</p>  <p>Allen Key X1</p>	<p>F</p>  <p>Clasp X22</p>
<p>G</p>  <p>Screws (M3X12mm) X2</p>	<p>H</p>  <p>Screws (M4X25mm) X14</p>	<p>I</p>  <p>Eccenter X8</p>
<p>J</p>  <p>Connecting screw rod X8</p>		

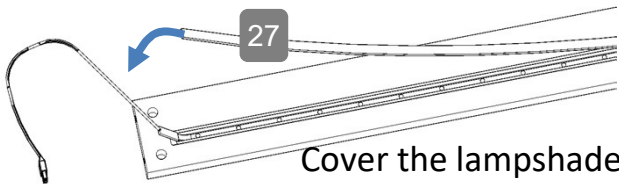
# Step1

**Attention:** Do not tighten the screws before completing the entire installation. If you have any difficulty with the installation process, please feel free to contact us.

Tear the tape from the back of the LED light



Paste the LED strip into the light slot



Cover the lampshade

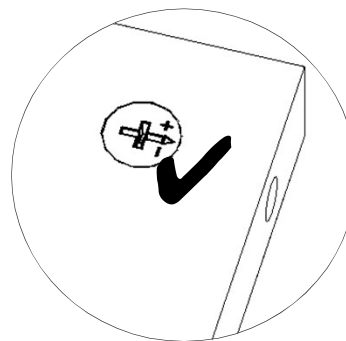
# Step2

I

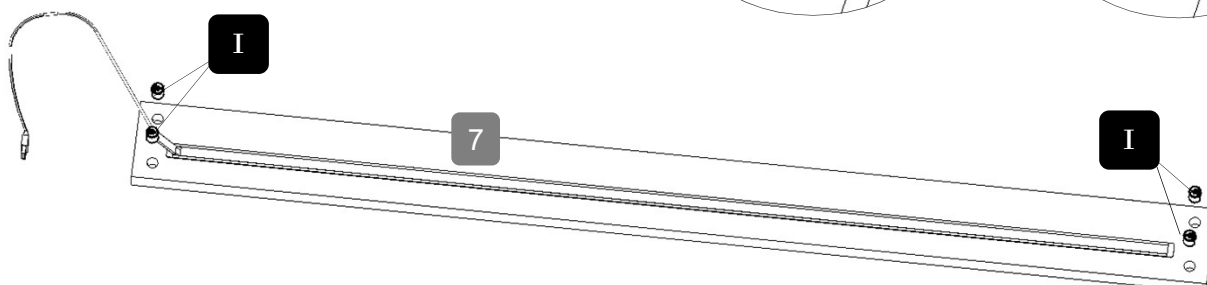
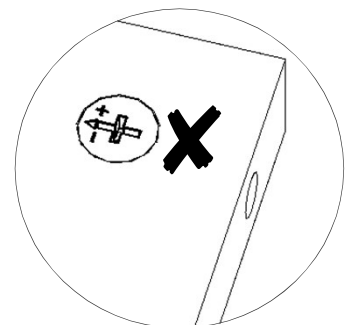


Eccenter X4

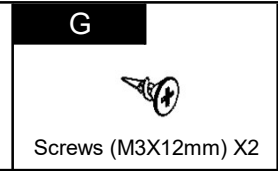
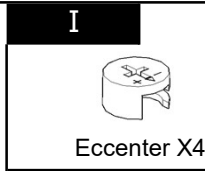
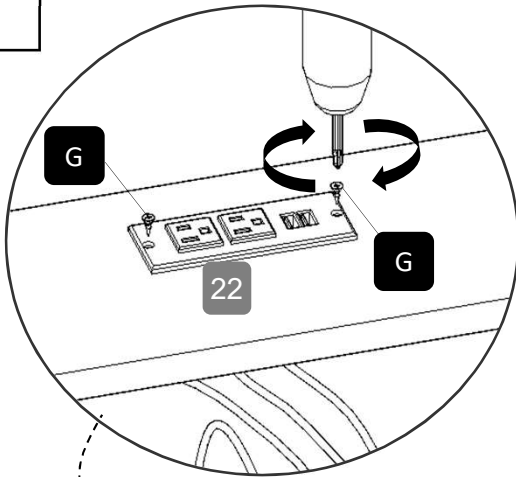
**RIGHT**



**WRONG**

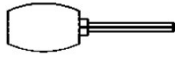
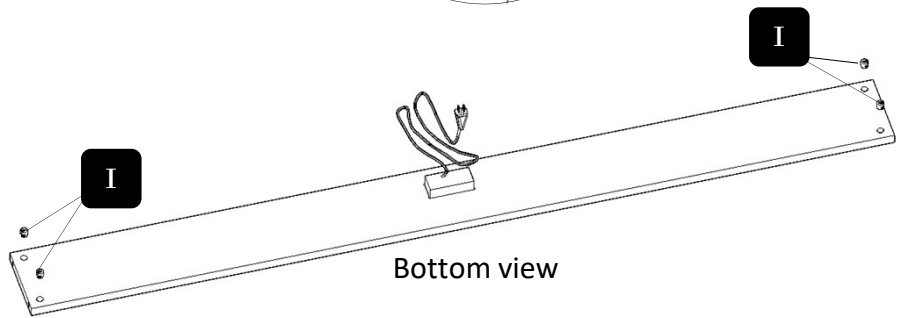
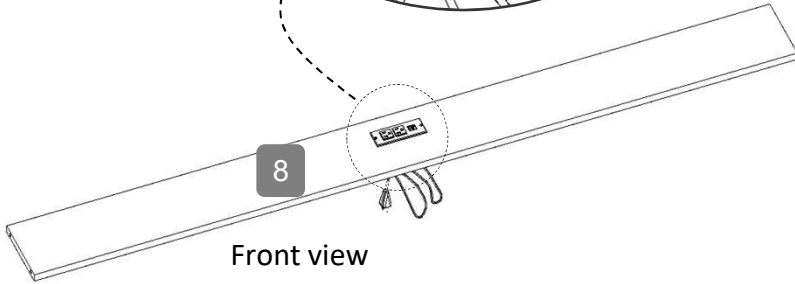
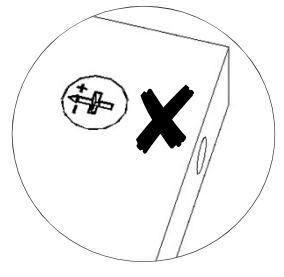
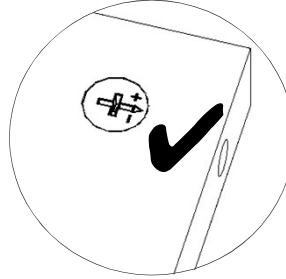


# Step3



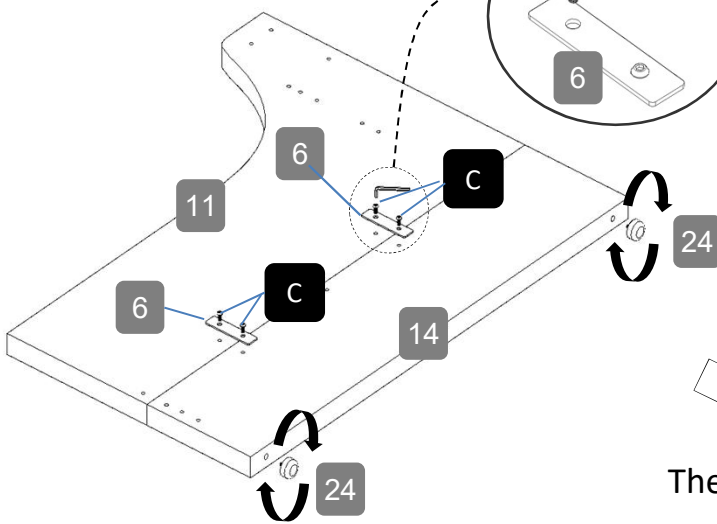
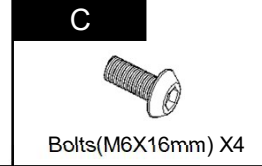
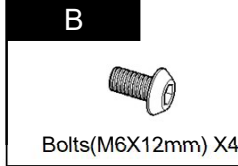
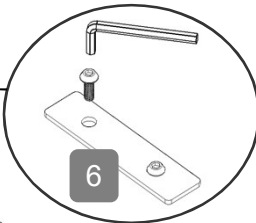
**RIGHT**

**WRONG**

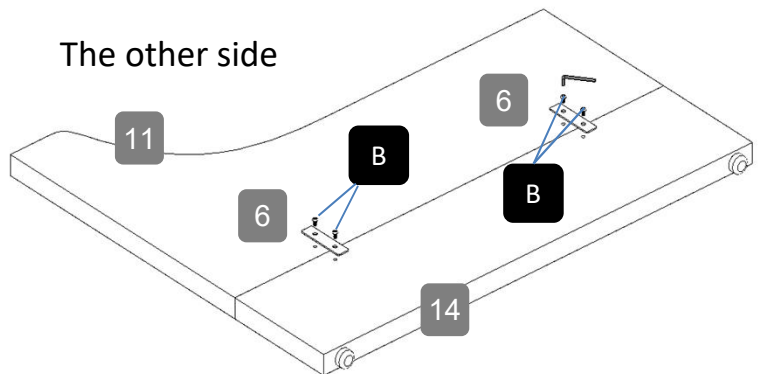


Assembly Tools Required(Not Included)

# Step4



The other side



# Step5

**B**

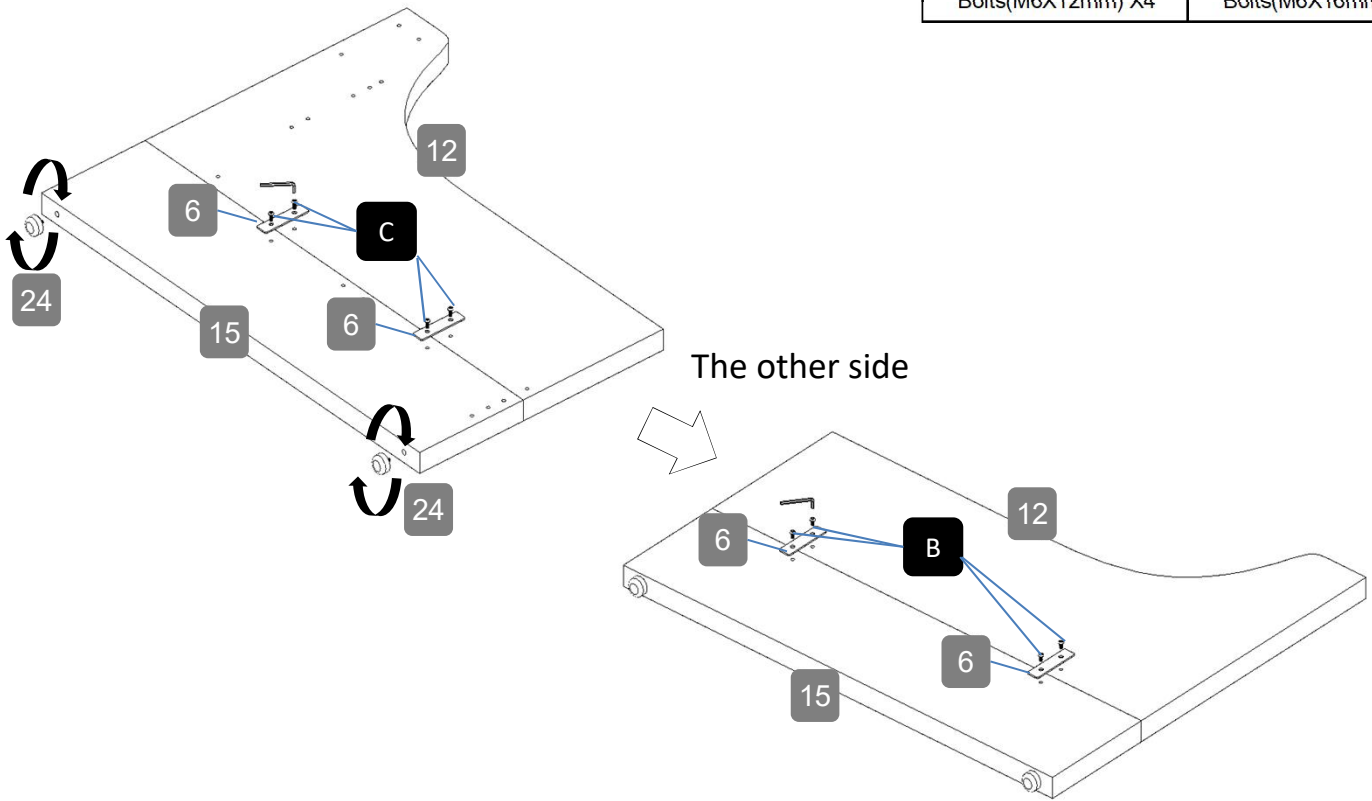


Bolts(M6X12mm) X4

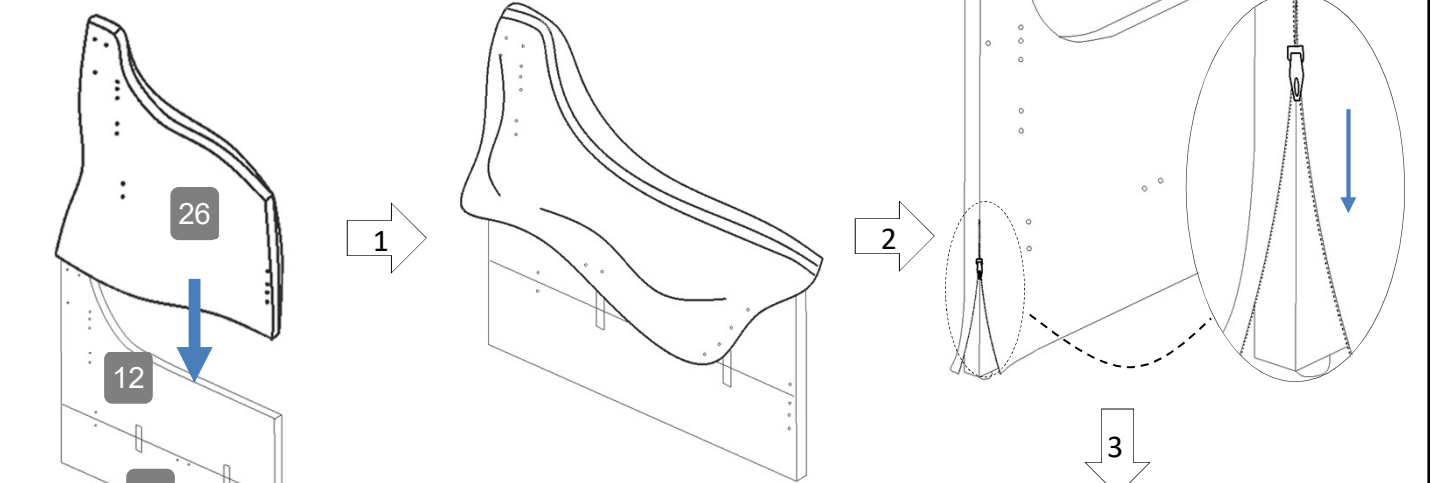
**C**



Bolts(M6X16mm) X4

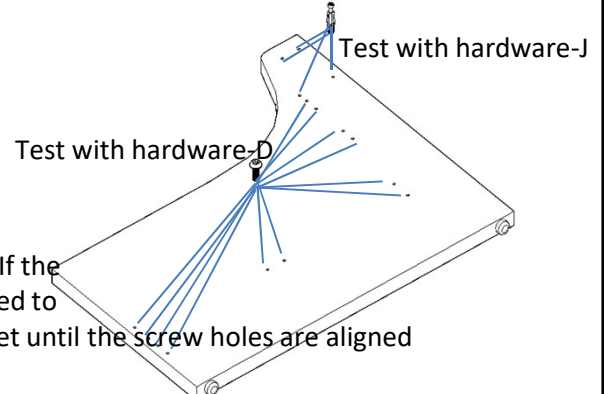


# Step6



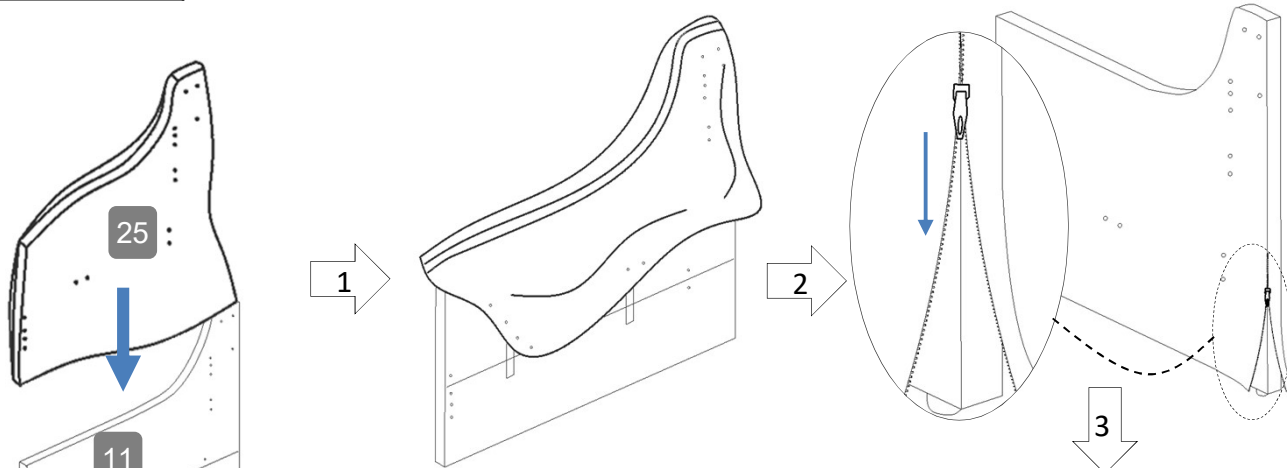
Please note the direction

This step will affect the difficulty of subsequent installation  
Please check the screw holes patiently



Use the screws to check that the screw holes are aligned. If the screw holes are not positioned correctly, it is recommended to open the screw holes with a sharp cone, or move the jacket until the screw holes are aligned

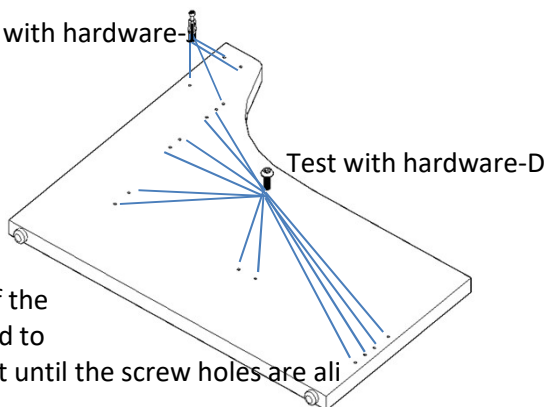
# Step7



Please note the direction

This step will affect the difficulty of subsequent installation  
Please check the screw holes patiently

Test with hardware-



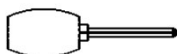
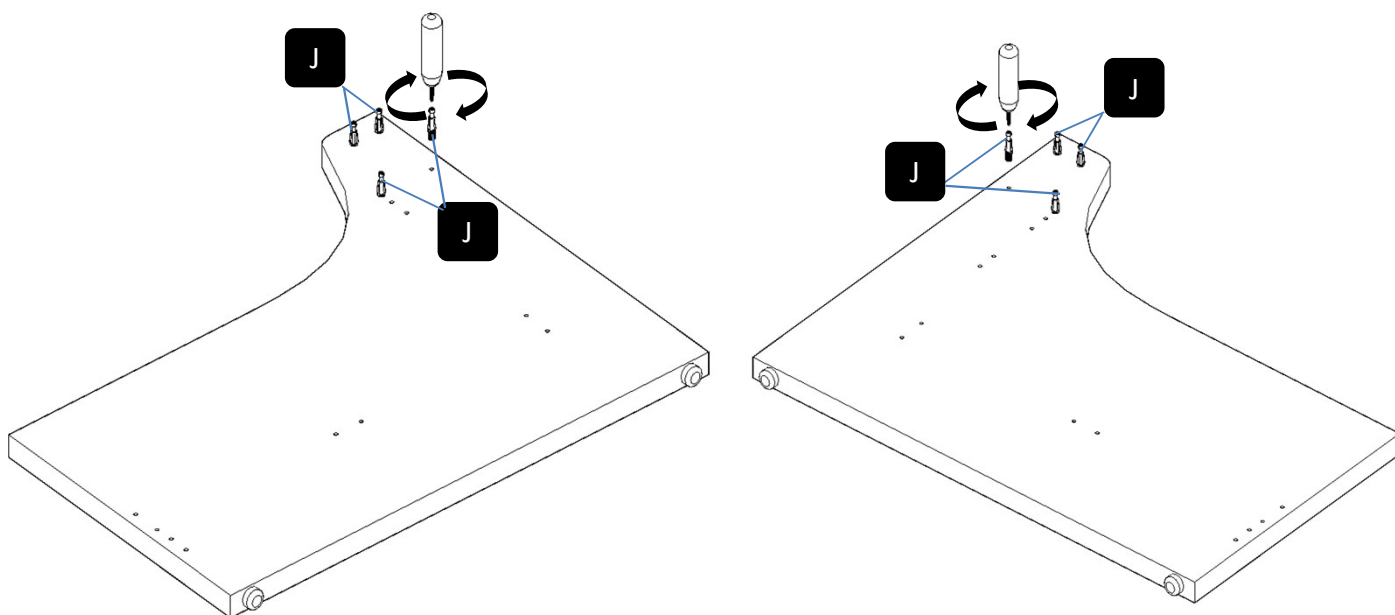
Use the screws to check that the screw holes are aligned. If the screw holes are not positioned correctly, it is recommended to open the screw holes with a sharp cone, or move the jacket until the screw holes are aligned.

# Step8

J

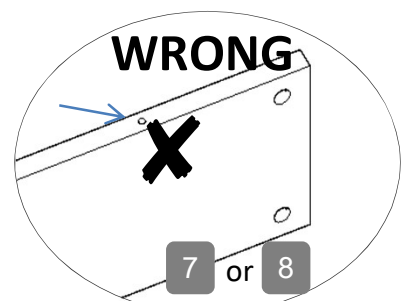
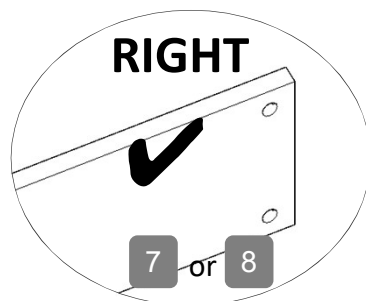


Connecting screw rod X8

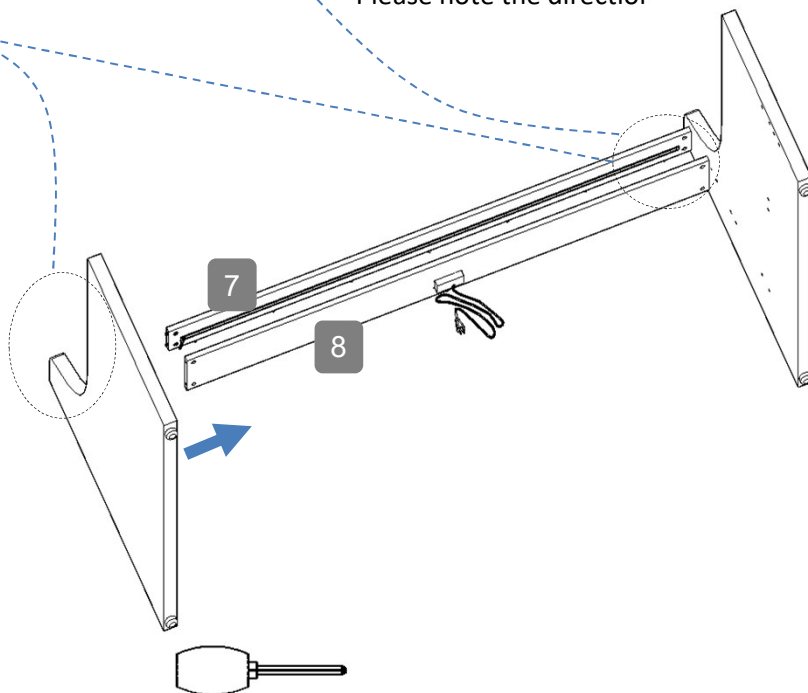
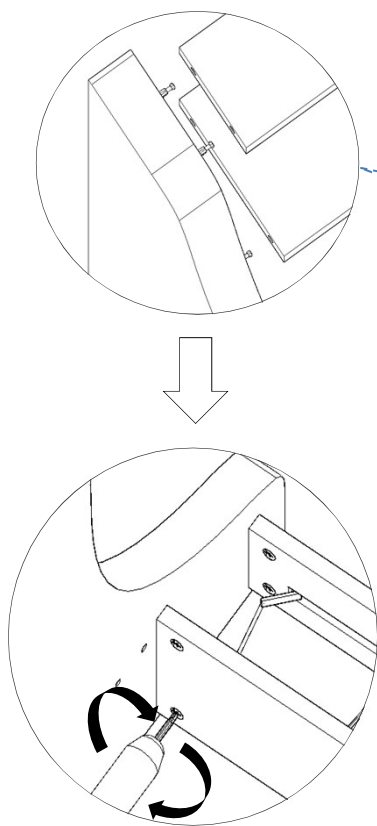


Assembly Tools Required(Not Included)

# Step9



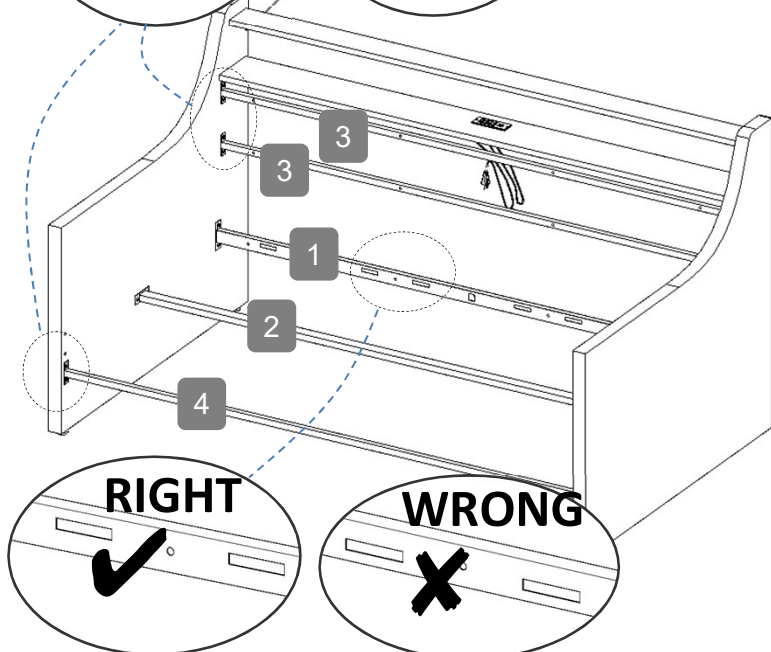
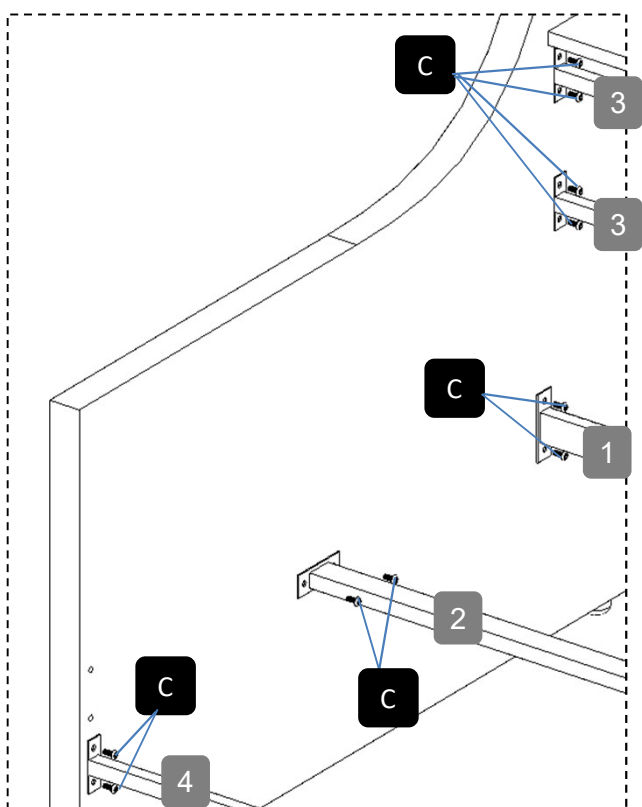
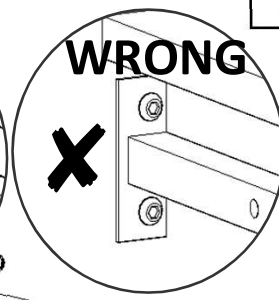
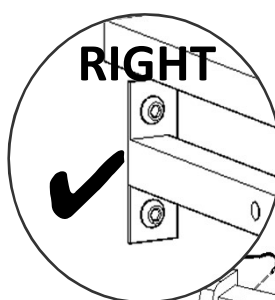
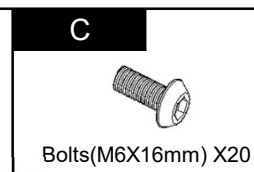
Please note the direction



Assembly Tools Required(Not Included)

# Step10

Use your bare hands or a tool to turn the screw to 80%



If the screw hole is difficult to locate.  
You can use a sharp cone or other tool to find holes

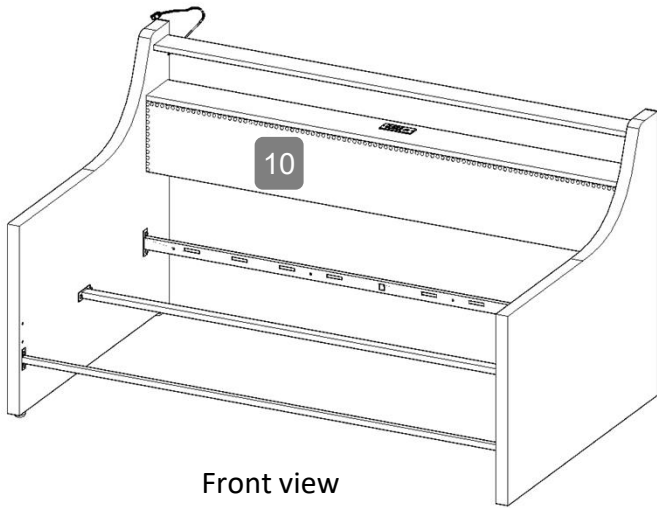


# Step11

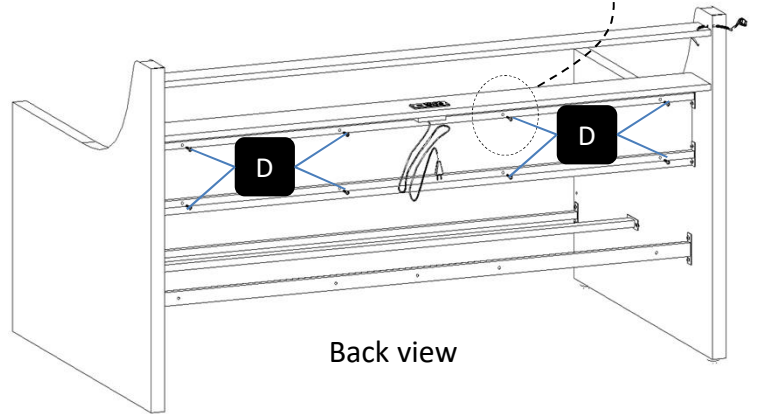
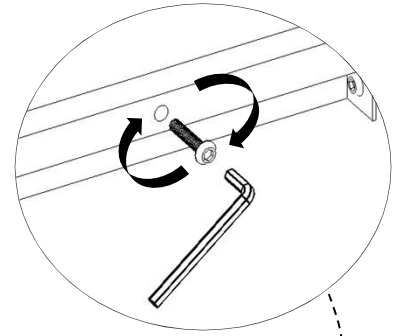
D



Bolt(M6X30mm) X8



Front view



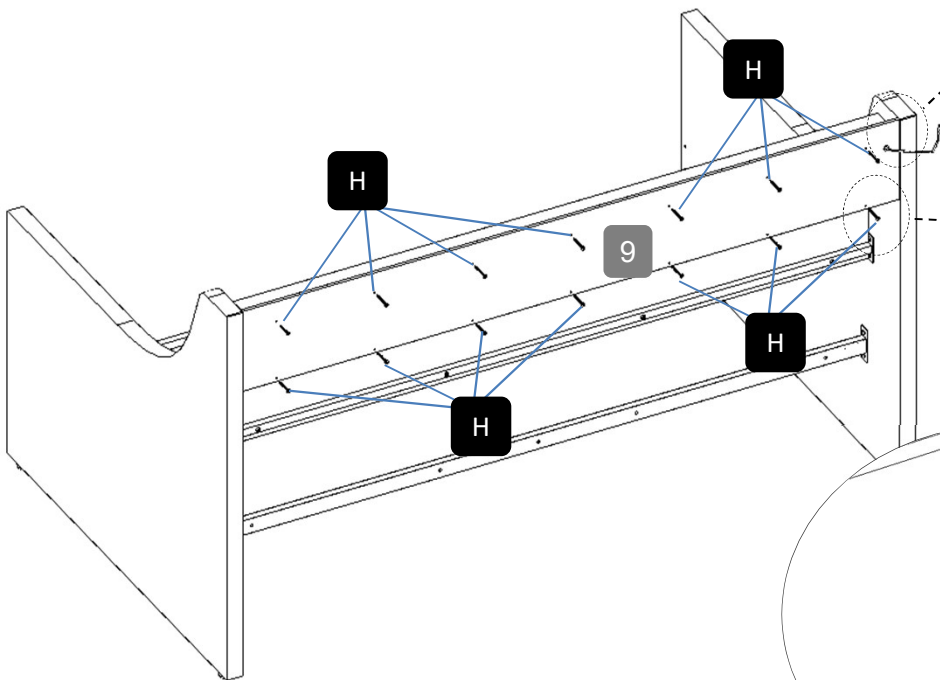
Back view

# Step12

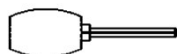
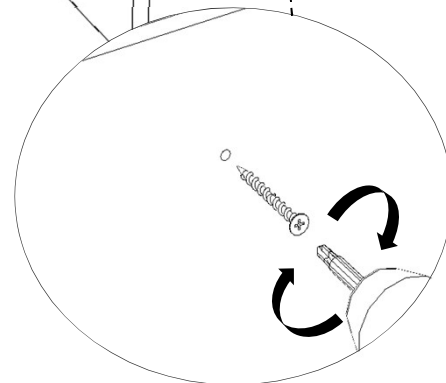
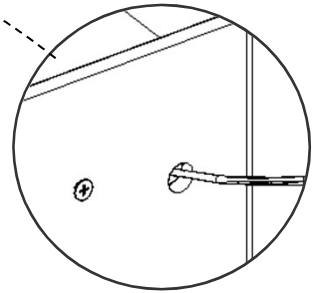
H



Screws (M4X25mm) X14



The power cord runs through the hole



Assembly Tools Required(Not Included)

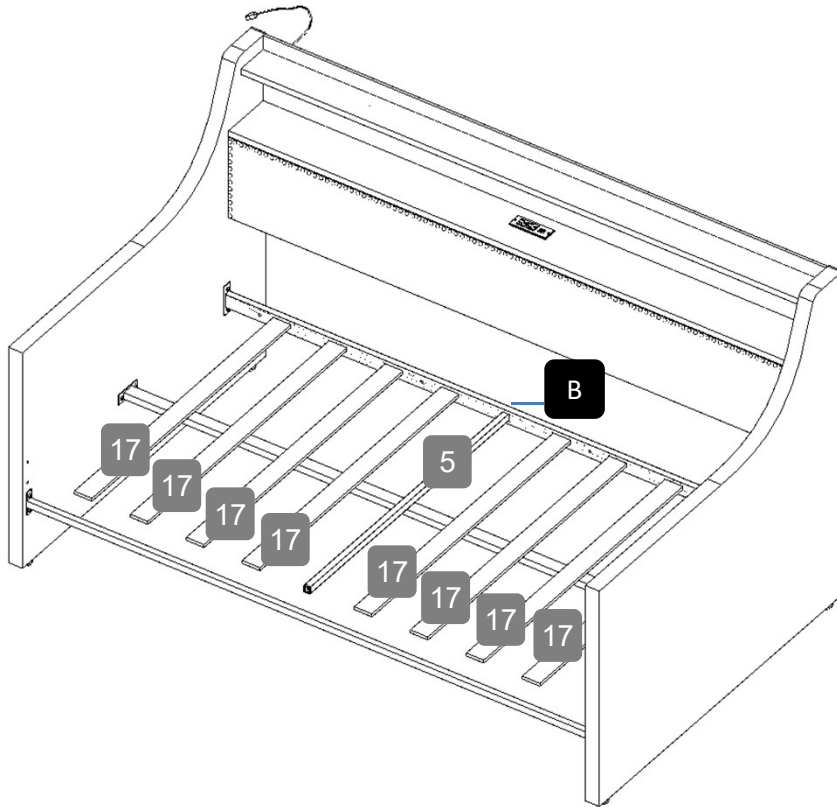
Page 9 of 12

# Step13

B



Bolts(M6X12mm) X1



# Step14

Use your bare hands or a tool to turn the screw to 80%

B

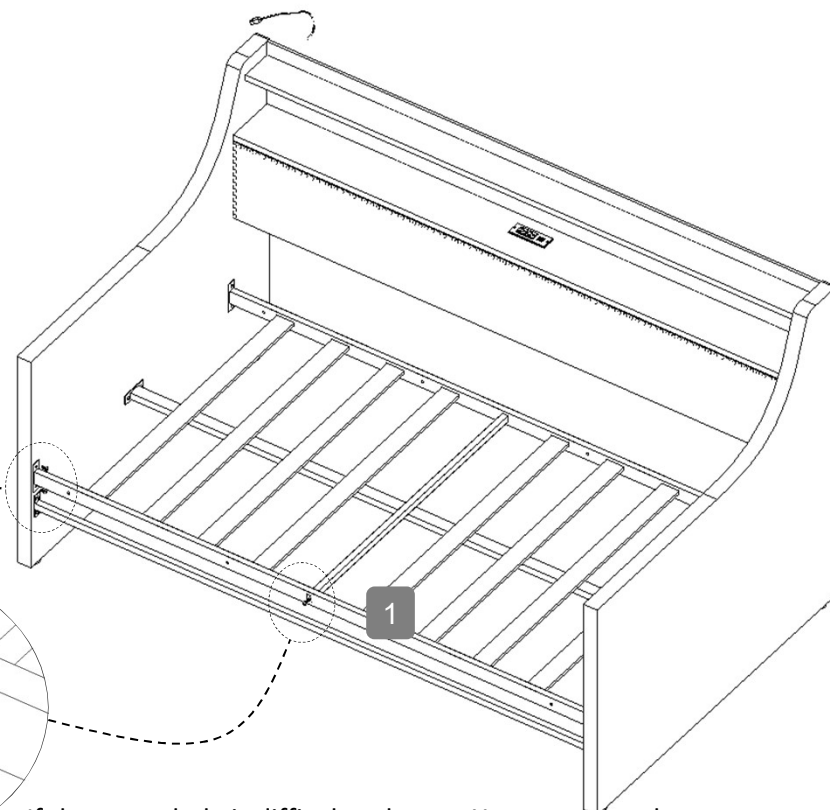
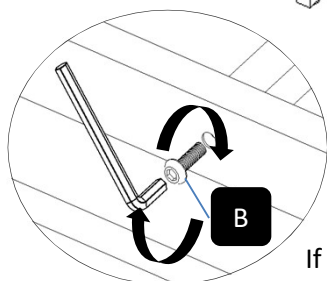
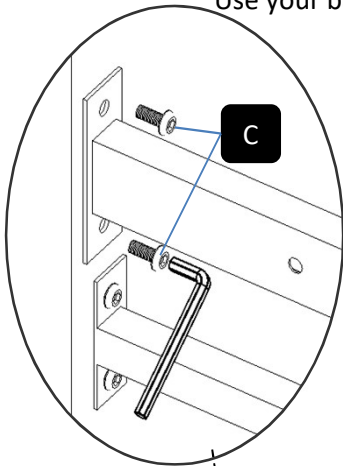


Bolts(M6X12mm) X1

C



Bolts(M6X16mm) X4



If the screw hole is difficult to locate. You can use a sharp cone or other tool to find hole

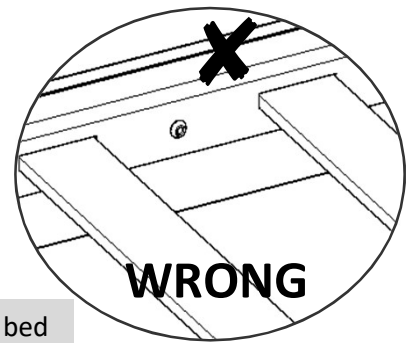
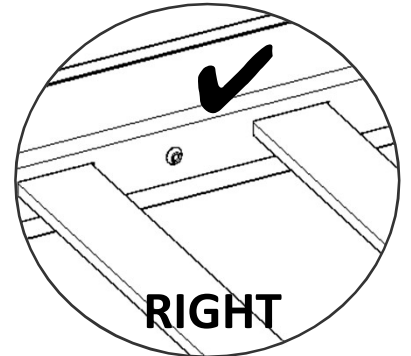
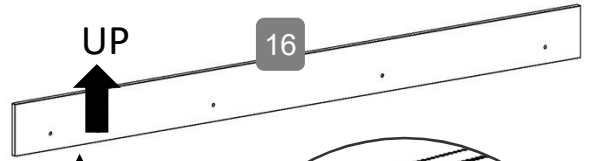
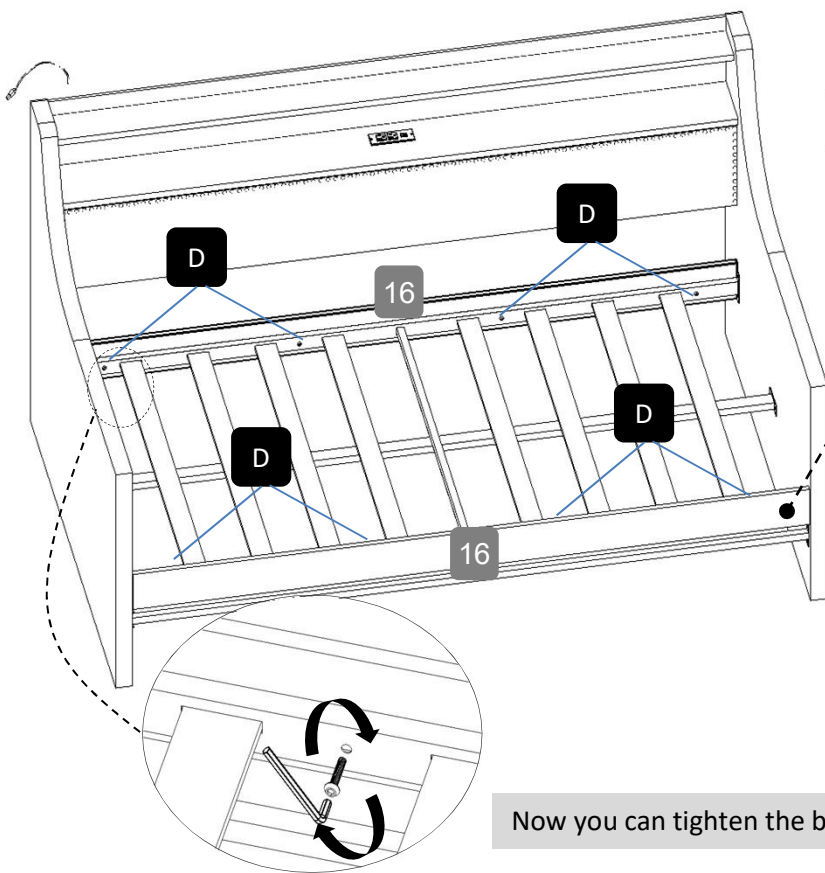
# Step15

Note the installation direction of panel NO.16

D

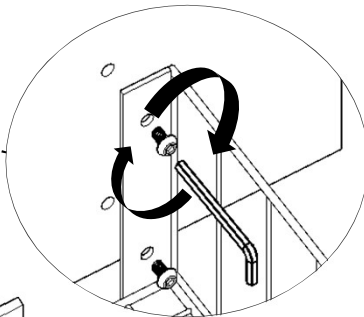


Bolt(M6X30mm) X8



Now you can tighten the bolts all over the bed

# Step16



A

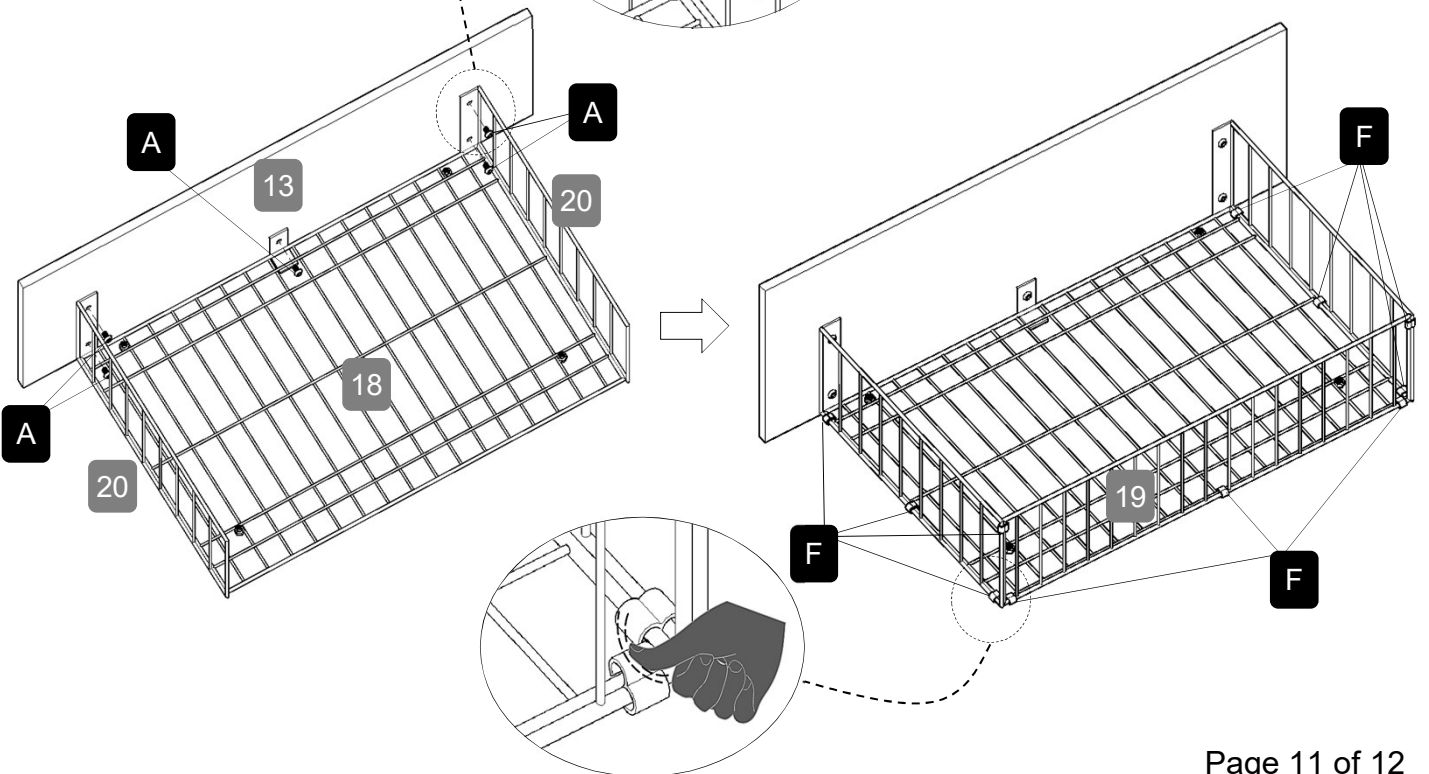


Bolts(M6X10mm) X5

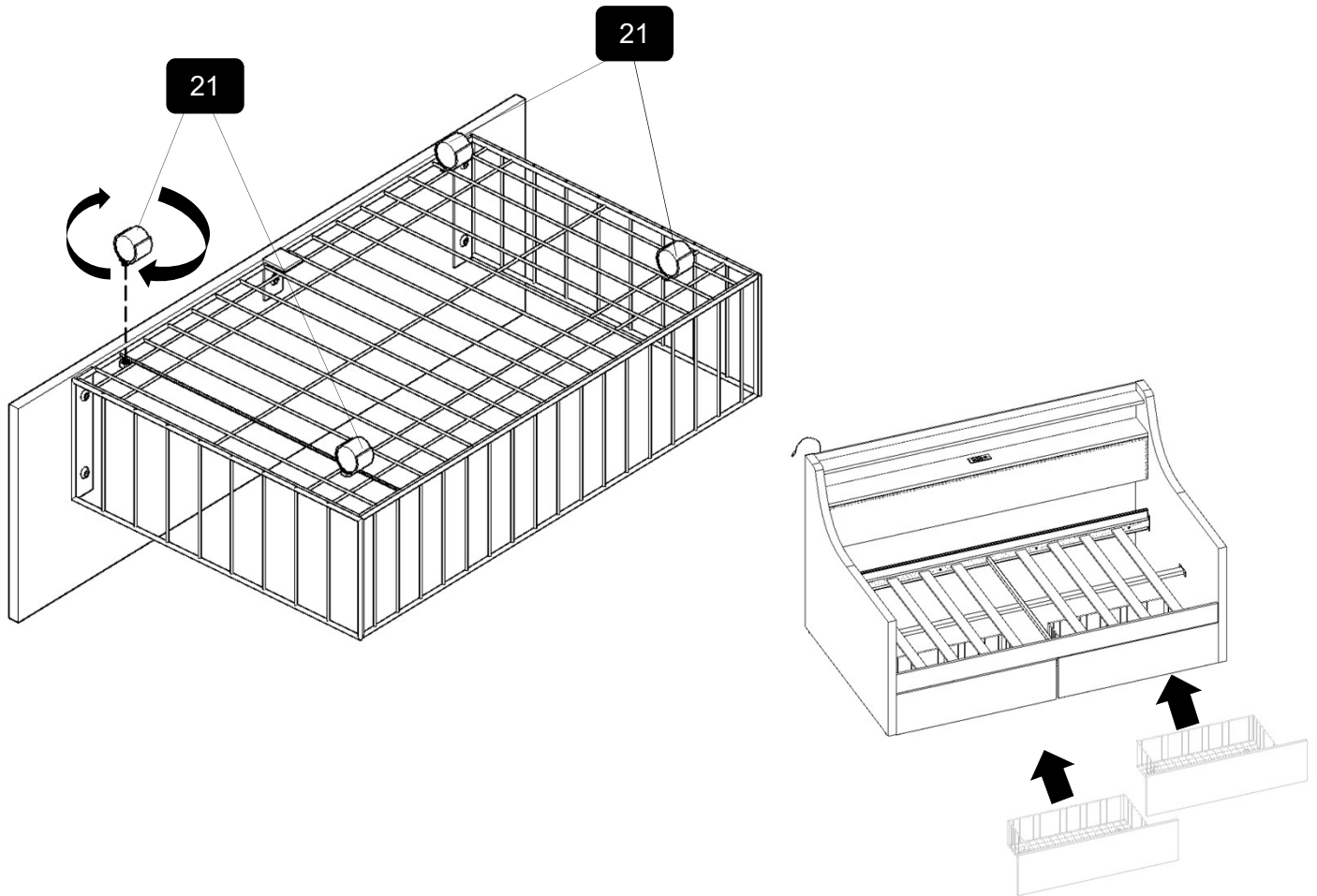
H



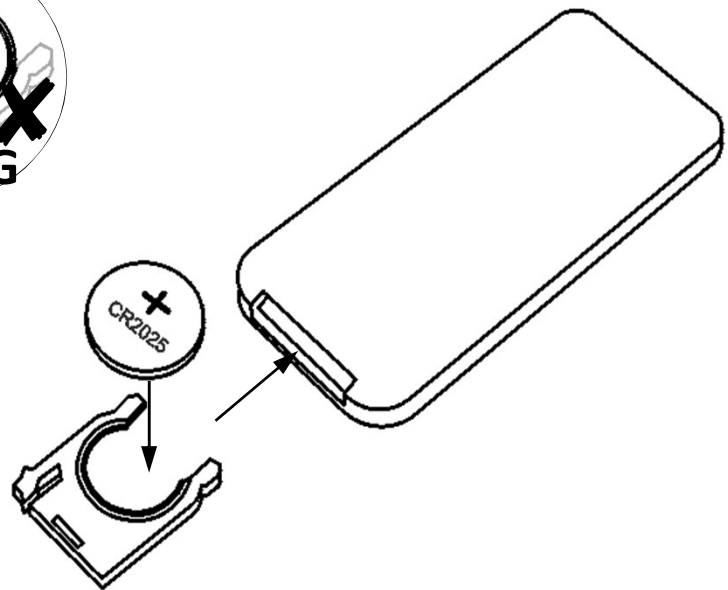
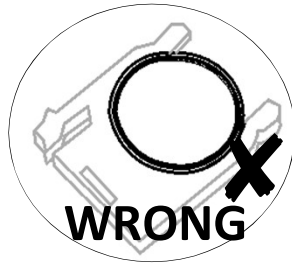
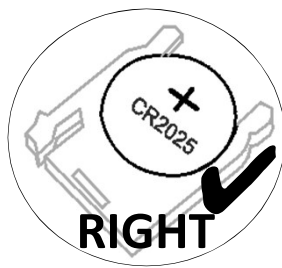
Clasp X11



## Step17



## Step18



Remote control does not contain batteries, please buy your own a CR2025 button battery installed into the remote control