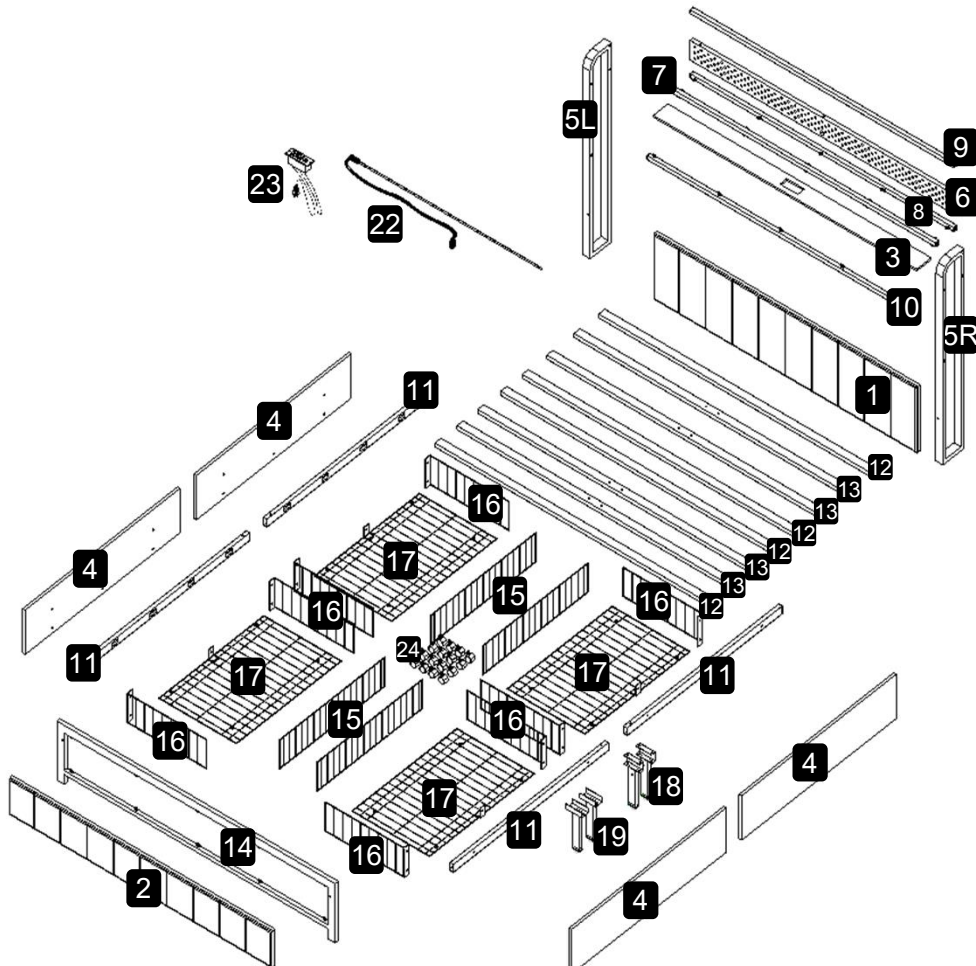
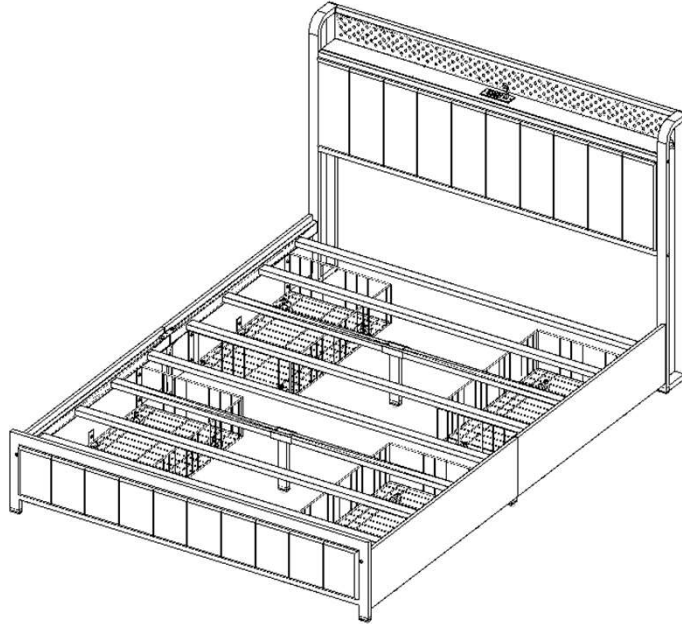


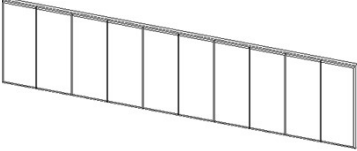
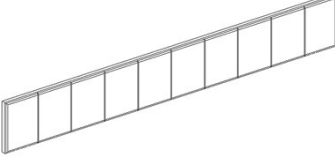
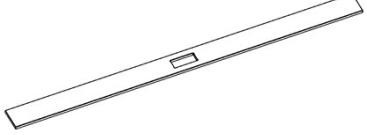
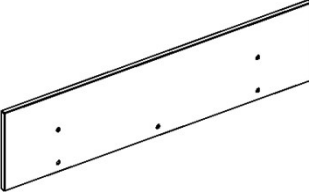


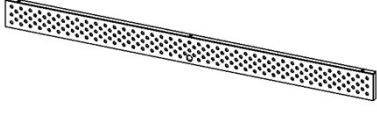

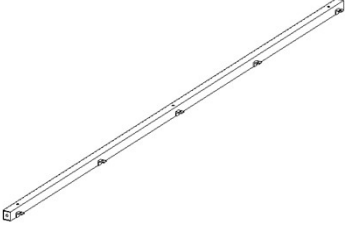
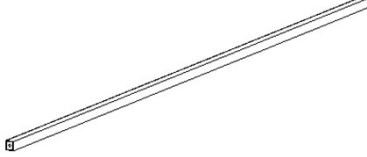
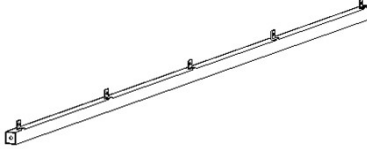
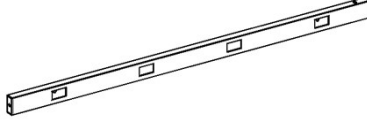
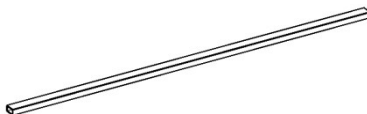
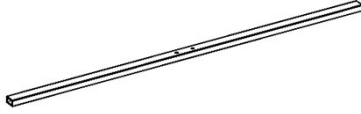
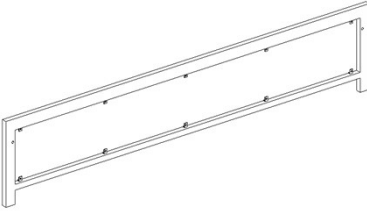
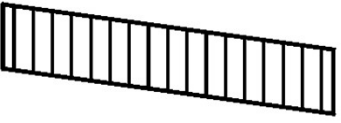
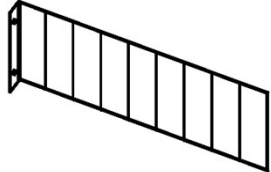
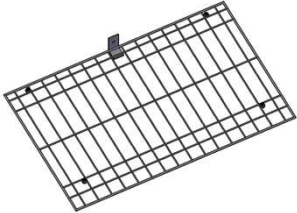
ASSEMBLY INSTRUCTION

W1580113787 / W1580113790 / W1580113791

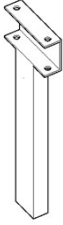
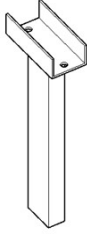
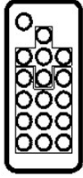
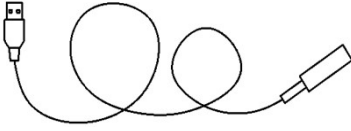

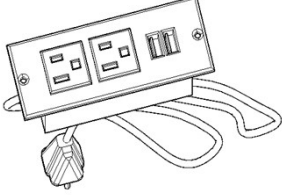

- TIPS**
1. This bed fit standard queen mattress 80" L x 60" W.
 2. Always use the recommended size mattresses or mattress supports, or both, to help prevent the likelihood of entrapment or falls.
 3. Do not allow horseplay on or under the bed and prohibit jumping on the bed.
 4. Do not use substitute part. Contact the manufacture or dealer for replacement part.



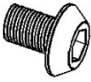
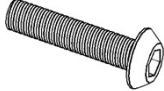
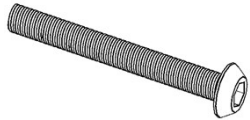

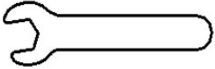




Part List

<p>1</p>  <p>Headboard x1</p>	<p>2</p>  <p>Footboard x1</p>	<p>3</p>  <p>Panel x1</p>
<p>4</p>  <p>Panels x4</p>	<p>5L</p>  <p>Headboard Leg x1</p>	<p>5R</p>  <p>Headboard Leg x1</p>
<p>6</p>  <p>Decorative Iron Plate x1</p>	<p>7</p>  <p>Frame x1</p>	<p>8</p>  <p>Frame x1</p>
<p>9</p>  <p>Frame x1</p>	<p>10</p>  <p>Frame x1</p>	<p>11</p>  <p>Side Rails X4</p>
<p>12</p>  <p>Rail x4</p>	<p>13</p>  <p>Rail x4</p>	<p>14</p>  <p>Frame x1</p>
<p>15</p>  <p>Side Net x4</p>	<p>16</p>  <p>Drawers Side Net x8</p>	<p>17</p>  <p>Drawers Bottom Net x4</p>

Part List

<p>18</p>  <p>Support Leg x2</p>	<p>19</p>  <p>Support Leg x2</p>	<p>20</p>  <p>Remote Control X1</p>
<p>21</p>  <p>USB Cable X1</p>	<p>22</p>  <p>LED Light X1</p>	<p>23</p>  <p>Socket X1</p>
<p>24</p>  <p>Caster x16</p>		

Hardware List

<p>A</p>  <p>Bolts(M6X10mm) X34</p>	<p>B</p>  <p>Bolts(M6X30mm) X8</p>	<p>C</p>  <p>Bolts(M6X55mm) X12</p>
<p>D</p>  <p>Nut(M6) X8</p>	<p>E</p>  <p>Spanner X1</p>	<p>F</p>  <p>Allen Key X1</p>
<p>G</p>  <p>Screws (M4X16mm) X20</p>	<p>H</p>  <p>Screws (M3X12mm) X12</p>	<p>I</p>  <p>Clasp X44</p>

Step1

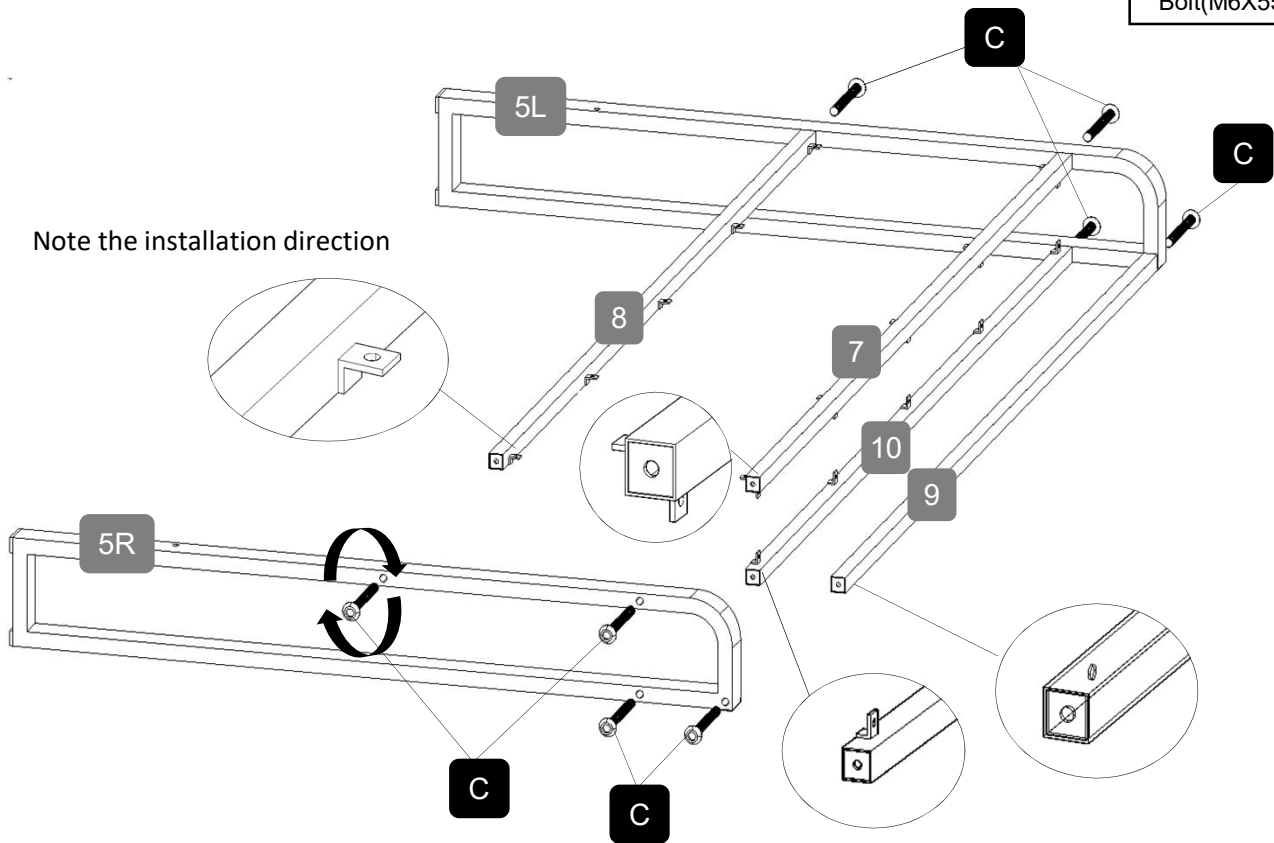
Attention: Do not tighten the screws before completing the entire installation. If you have any difficulty with the installation process, please feel free to contact us.

C



Bolt(M6X55mm) X8

Note the installation direction

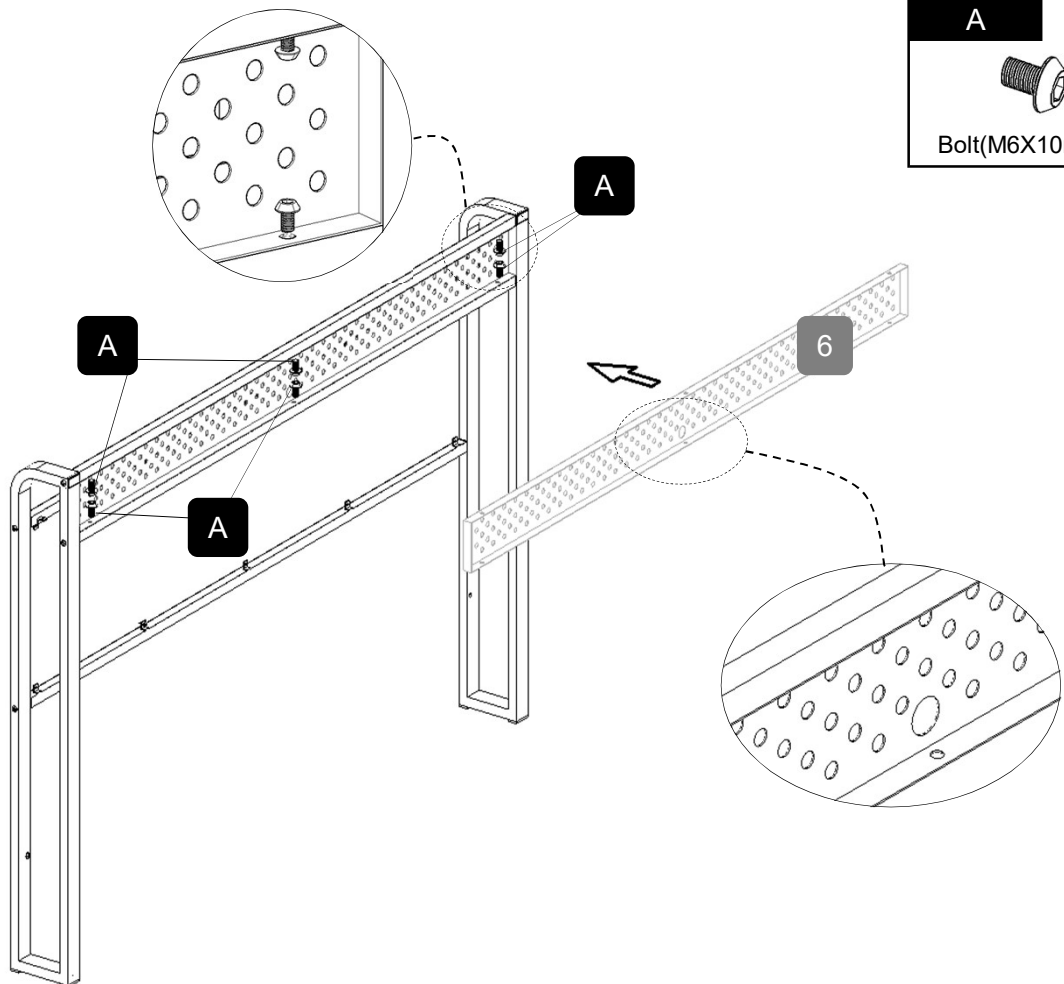


Step2

A



Bolt(M6X10mm) X6

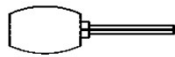
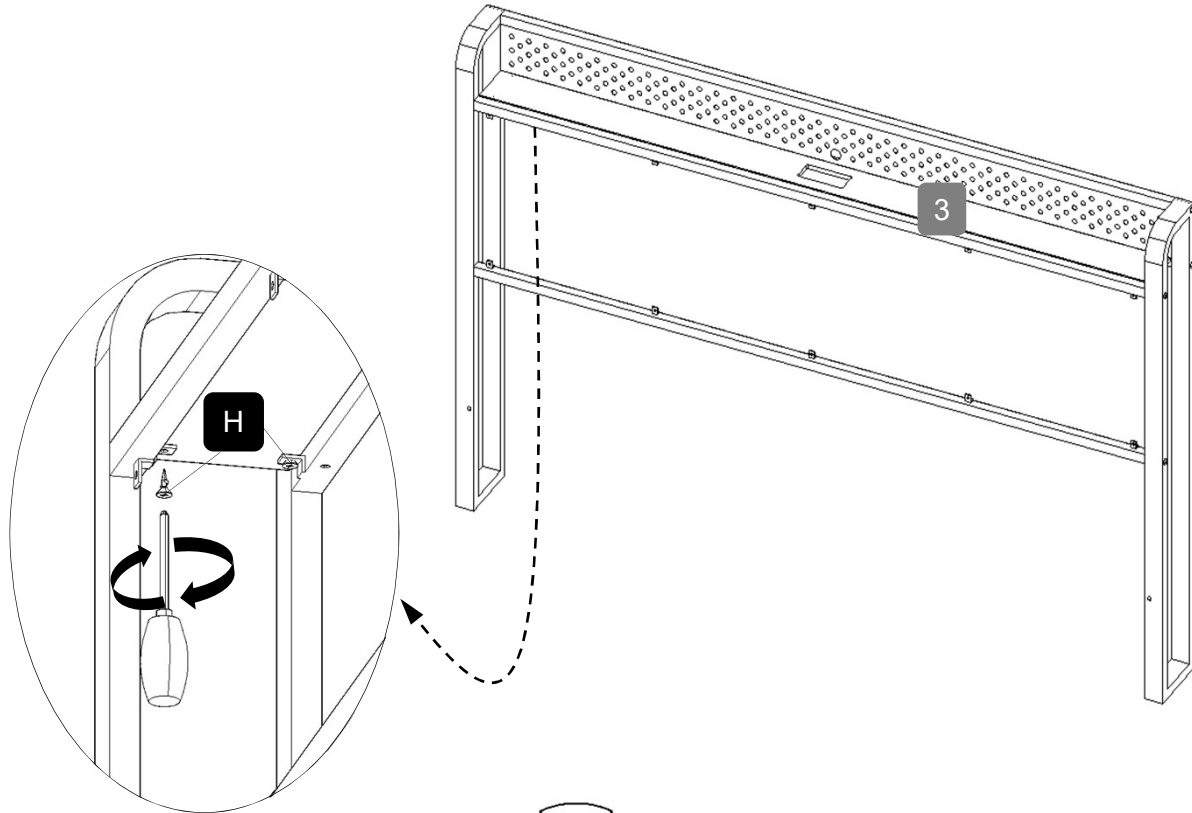


Step3

H



Screws (M3X12mm) X10



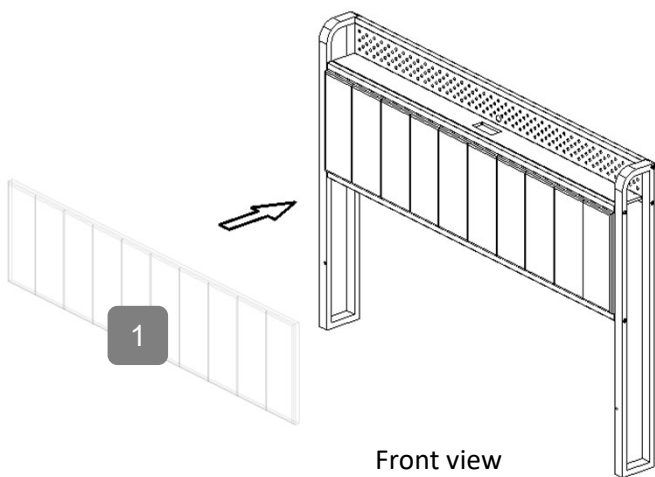
Assembly Tools Required(Not Included)

Step4

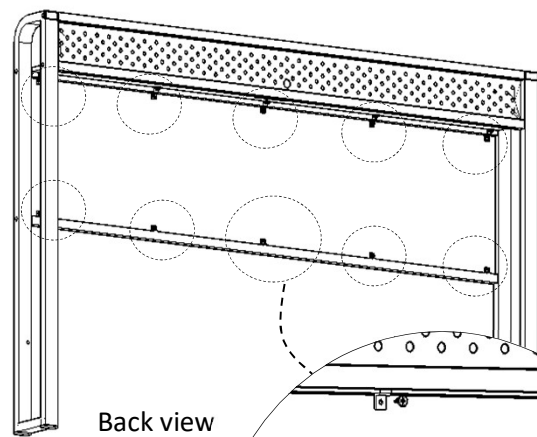
G



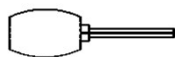
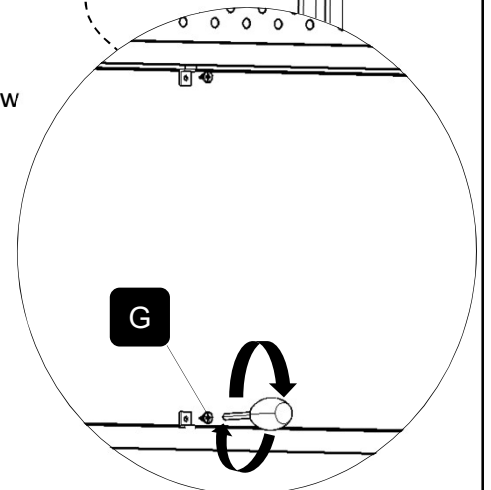
Screws(M4X16mm) X10



Front view



Back view



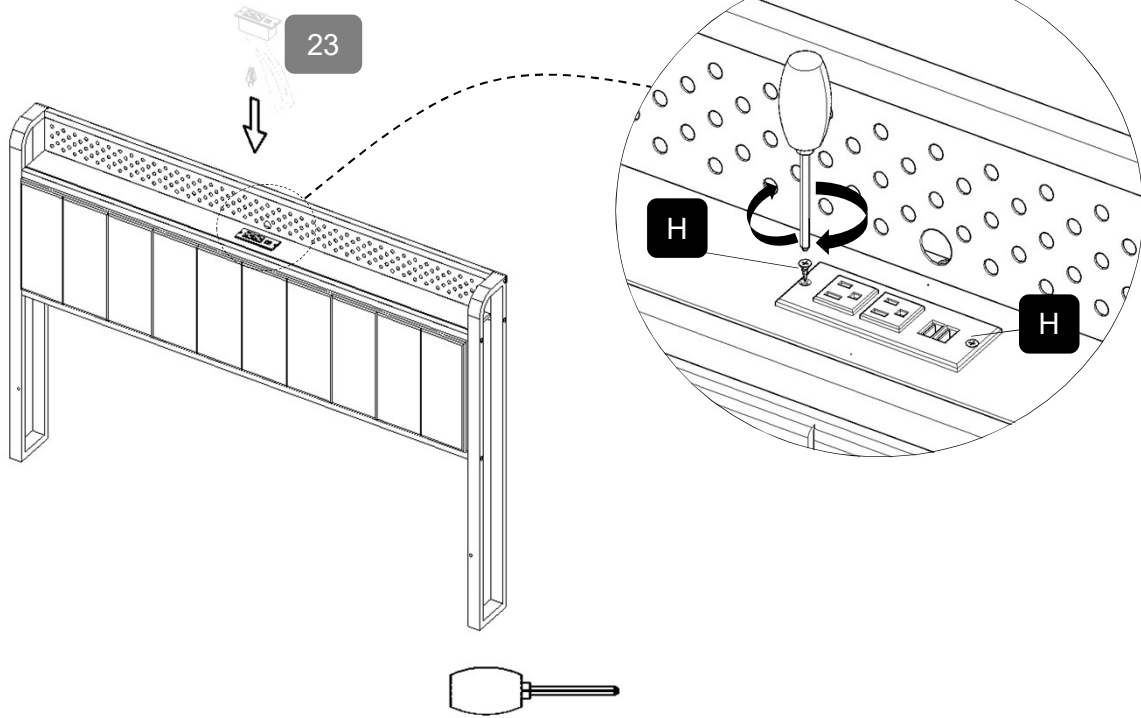
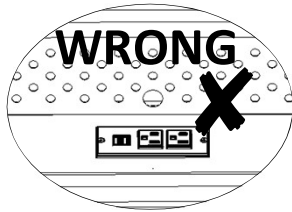
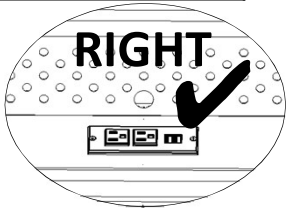
Assembly Tools Required(Not Included)

Step5

H



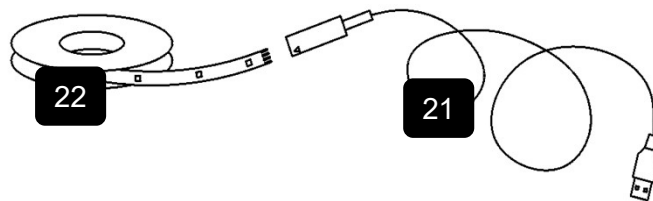
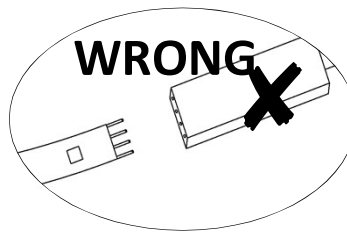
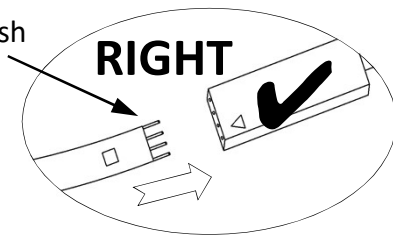
Screws (M3X12mm) X2



Assembly Tools Required(Not Included)

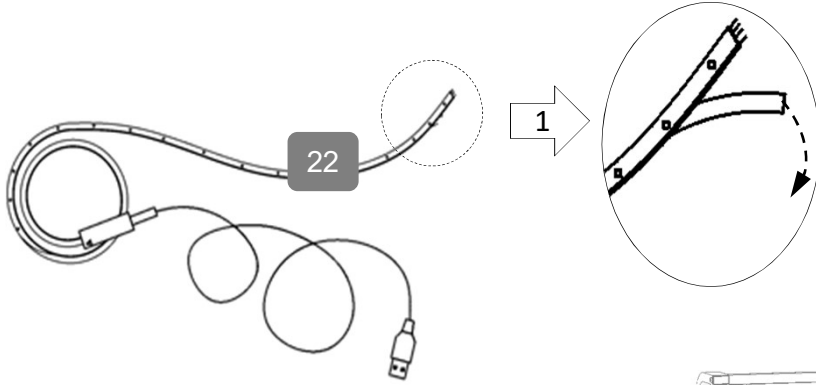
Step6

Ensure that the four wires are flush

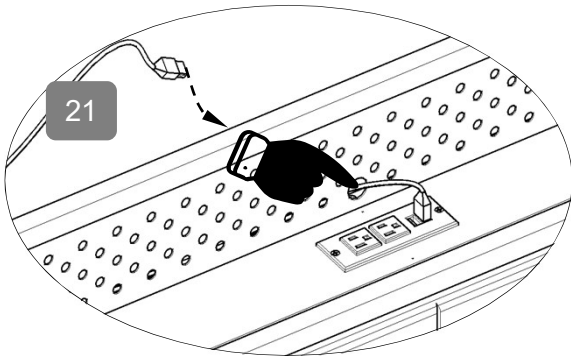
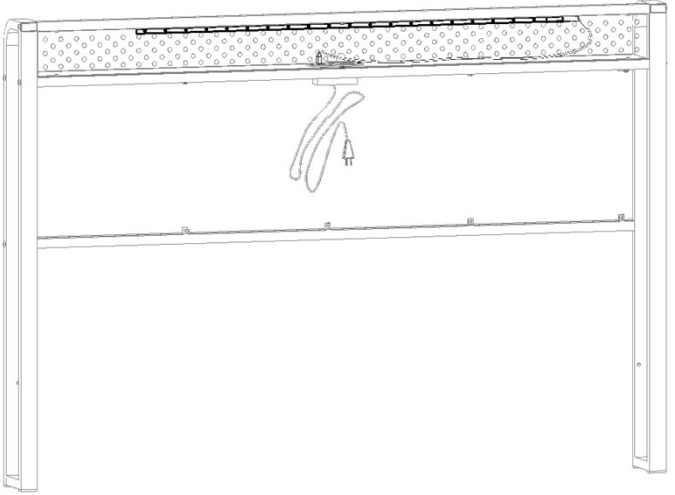


Step7

Tear the tape from the back of the LED light

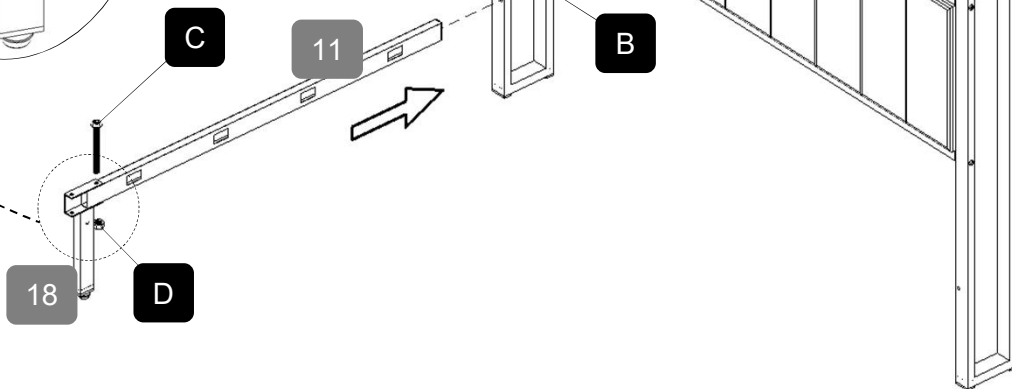
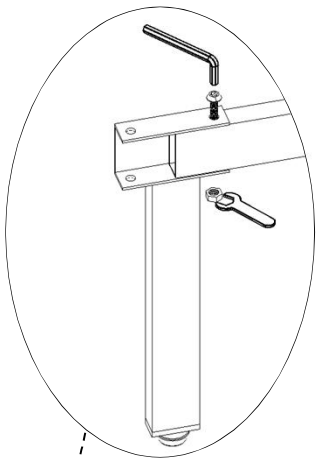
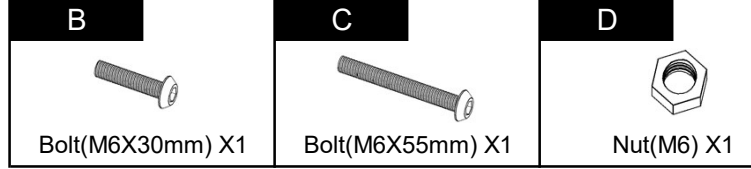


2 Paste on top of the baffle in turn



The USB cable goes through the hole

Step8



Step9

B



Bolt(M6X30mm) X3

C

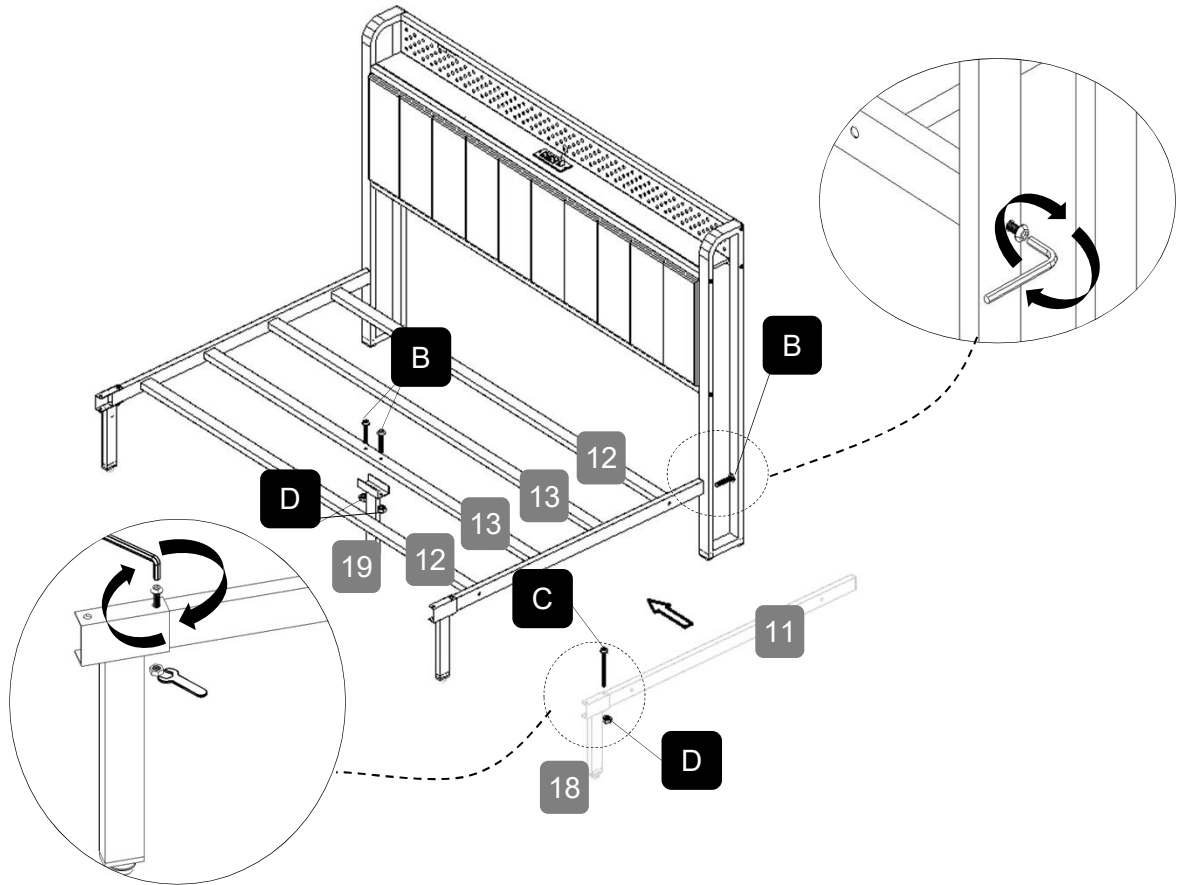


Bolt(M6X55mm) X1

D



Nut(M6) X3

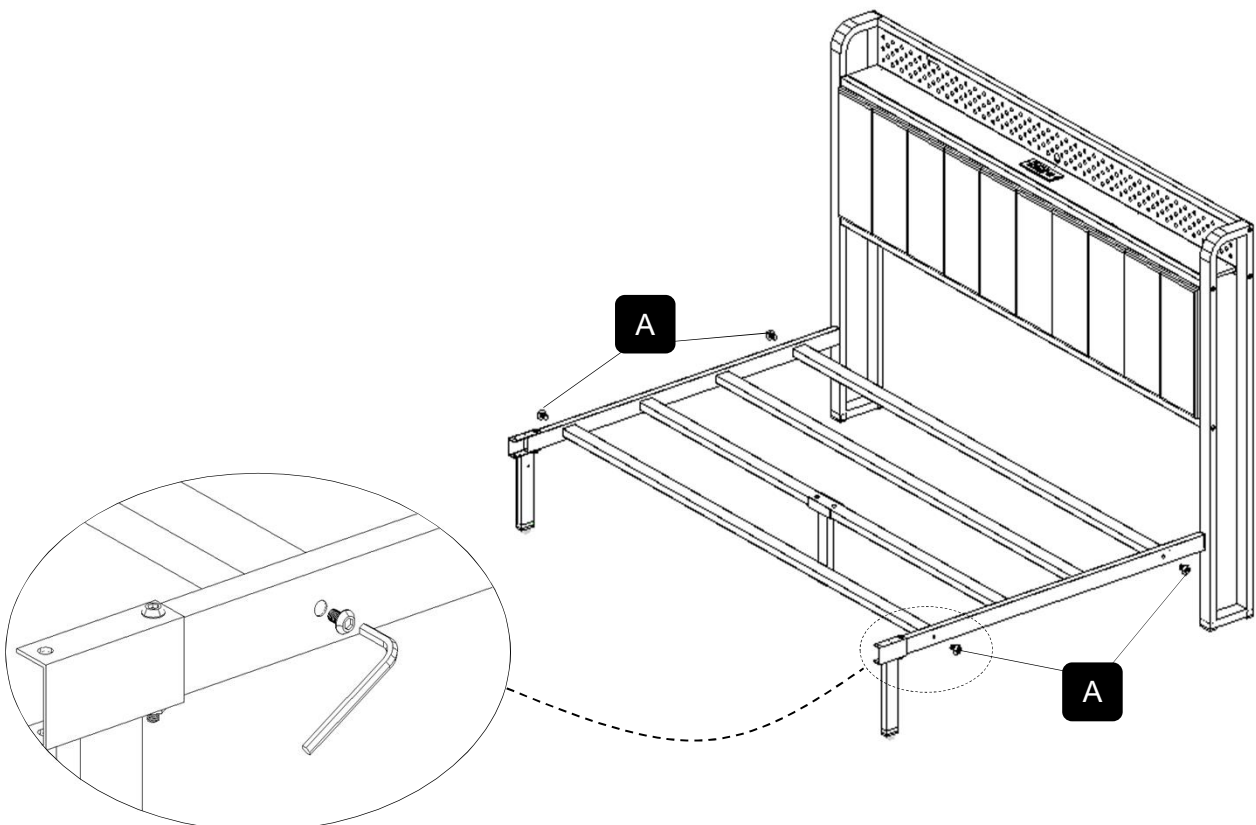


Step10

A



Bolt(M6X10mm) X4



Step 11

C

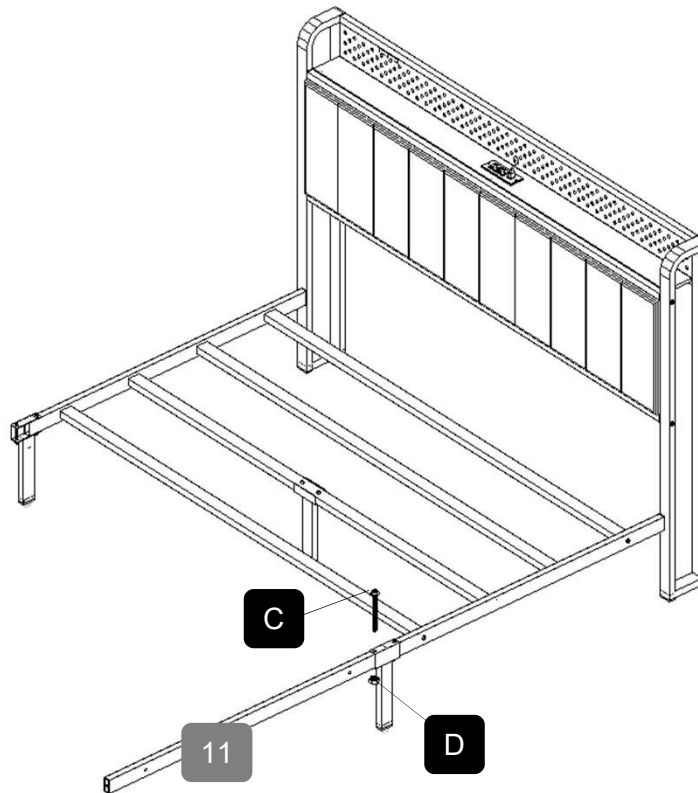


Bolt(M6X55mm) X1

D



Nut(M6) X1



Step 12

B



Bolt(M6X30mm) X2

C

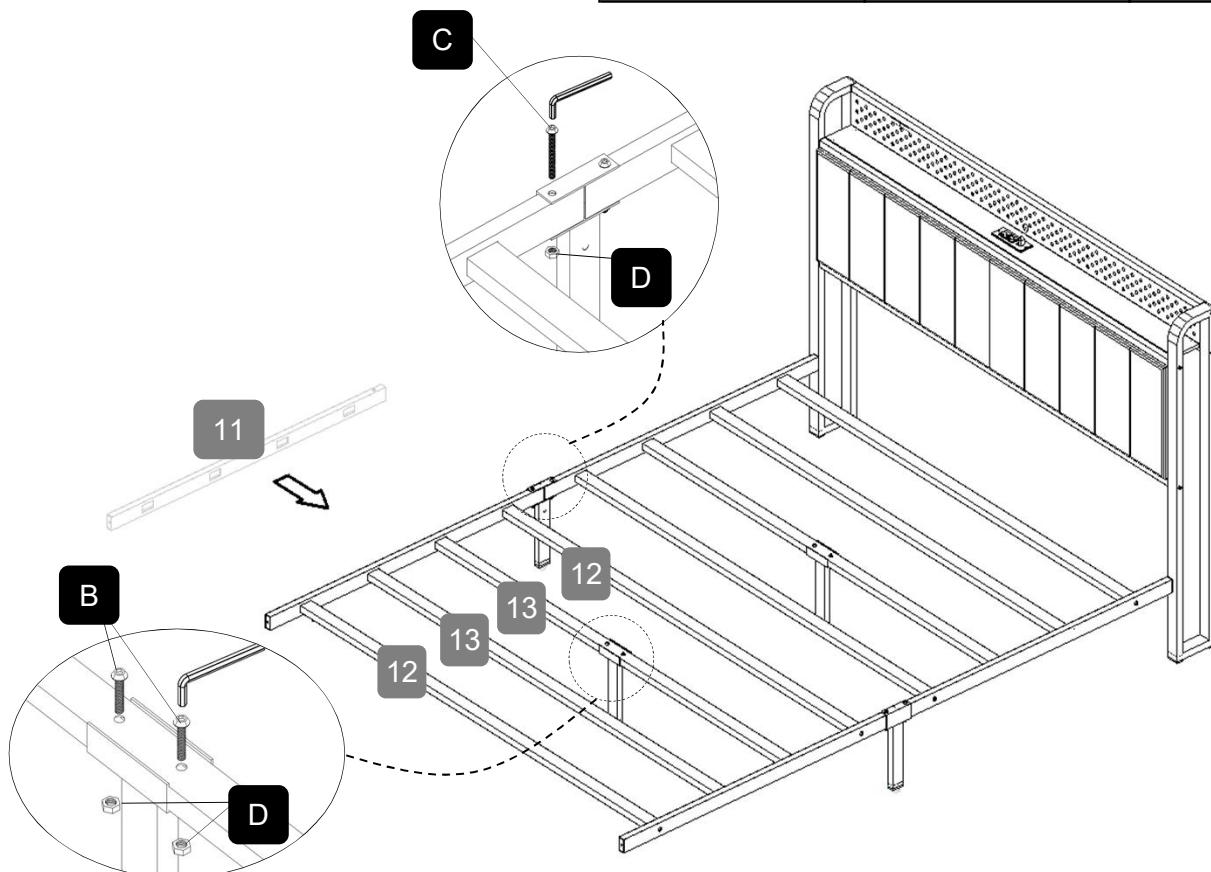


Bolt(M6X55mm) X1

D



Nut(M6) X3

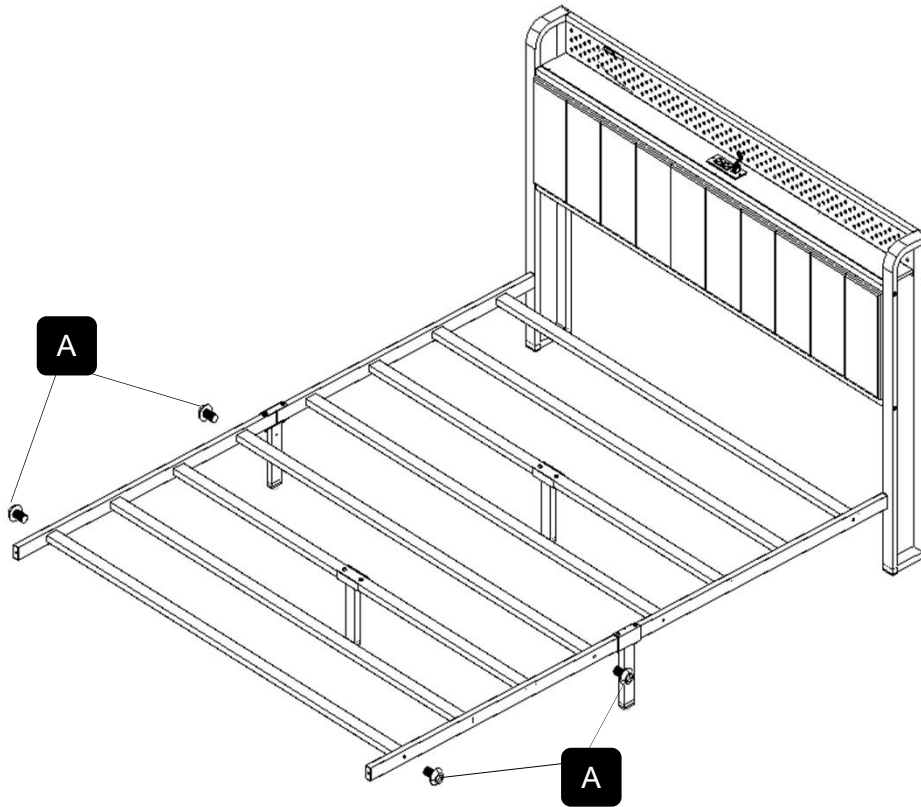


Step13

A



Bolt(M6X10mm) X4

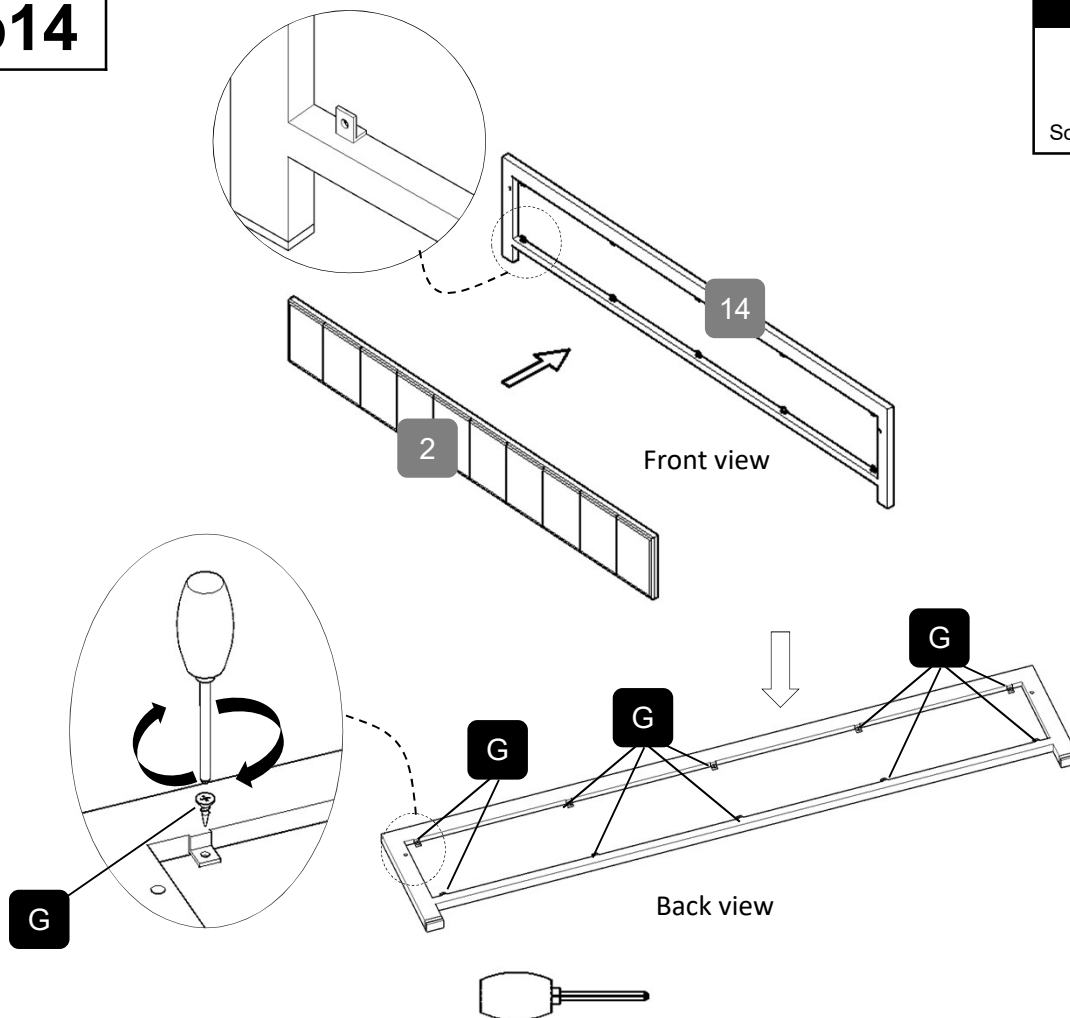


Step14

G



Screws(M4X16mm) X10

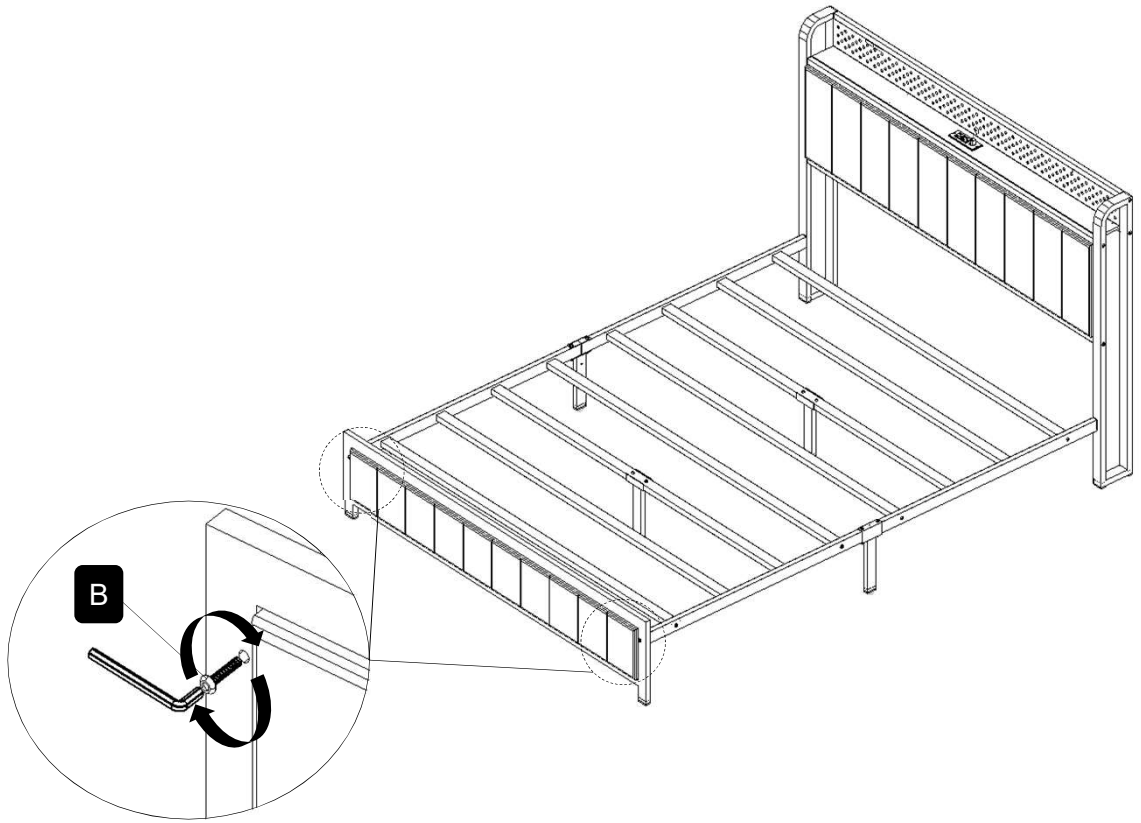


Step15

B



Bolt(M6X30mm) X2



Step16

A

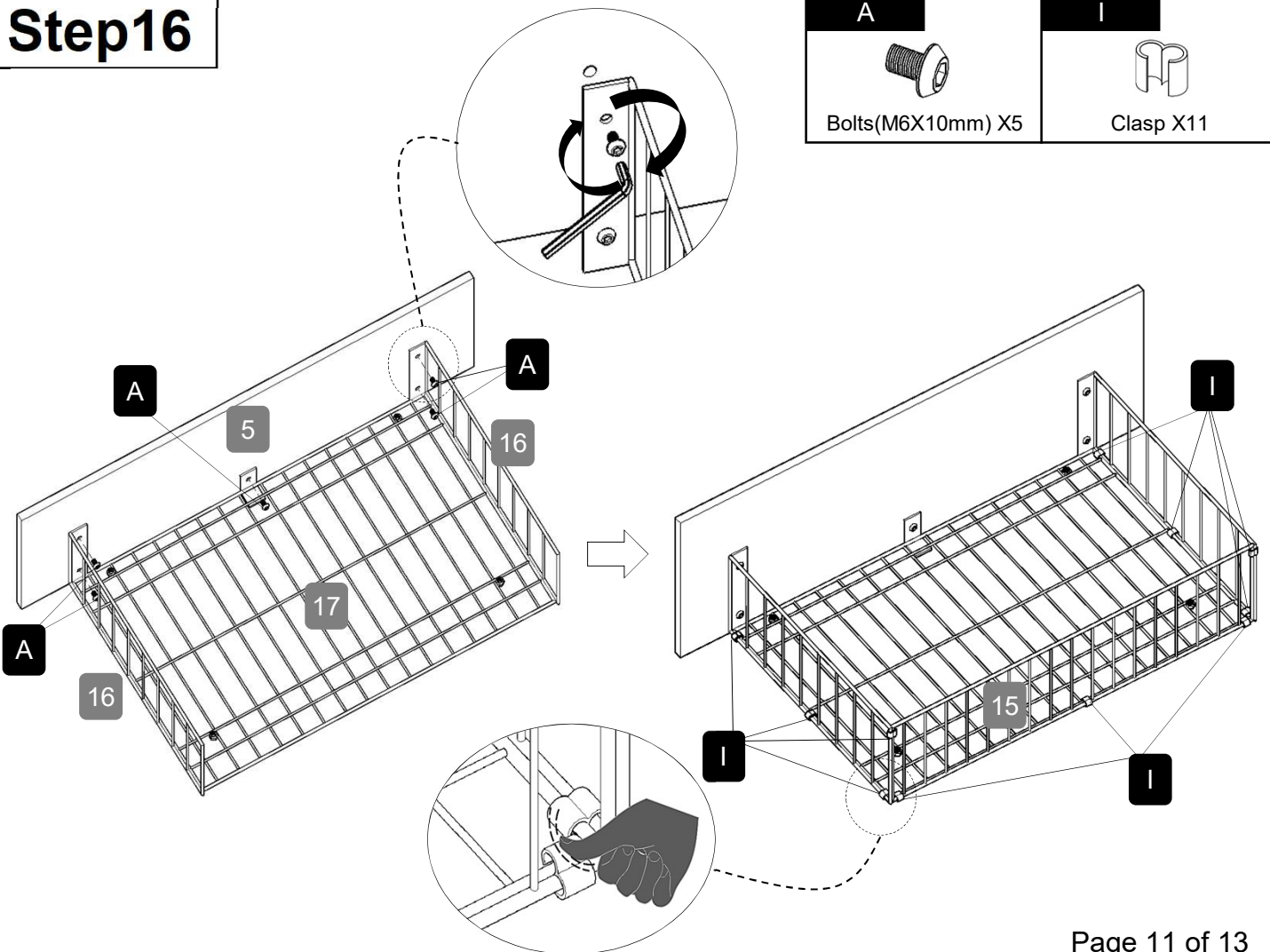


Bolts(M6X10mm) X5

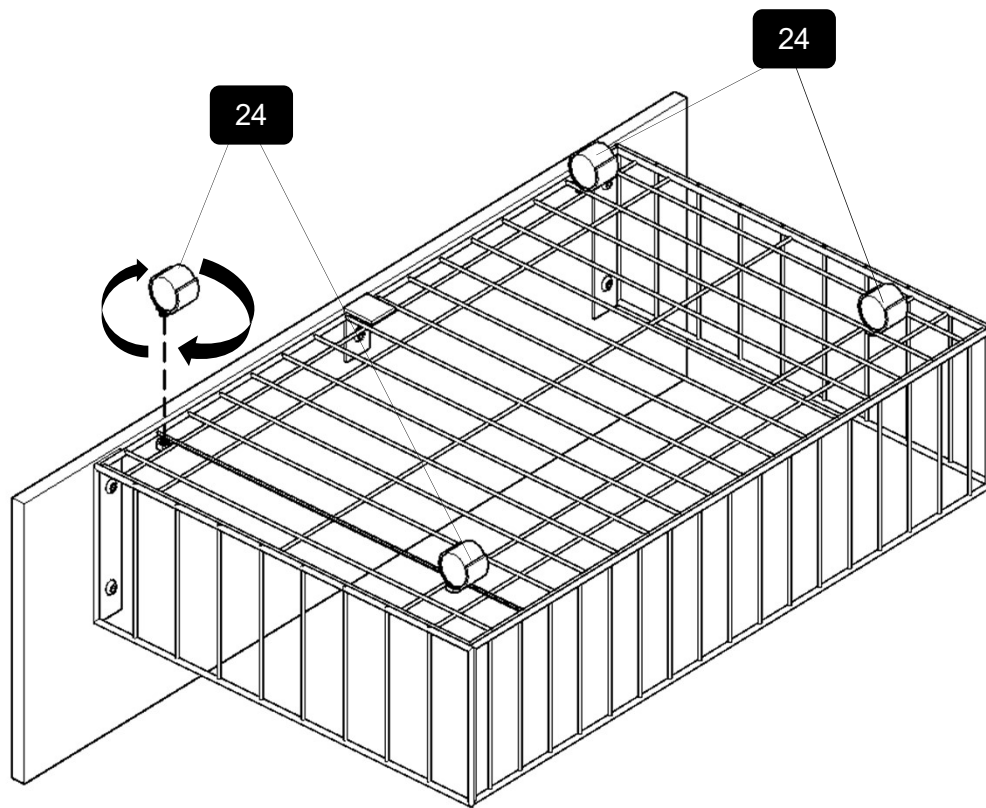
I



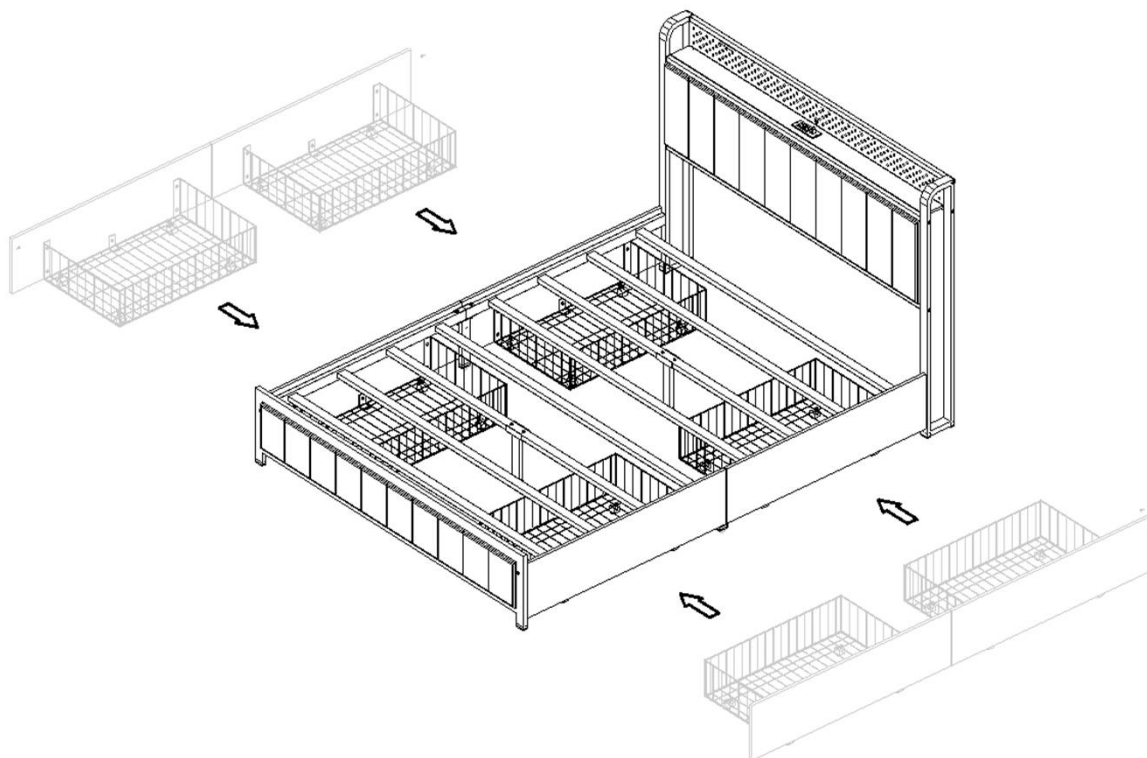
Clasp X11



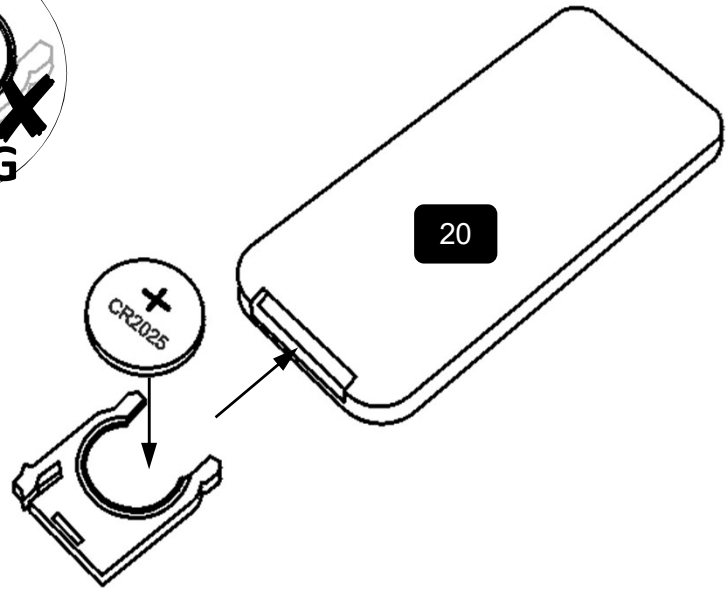
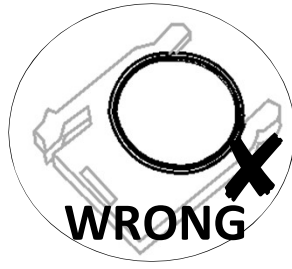
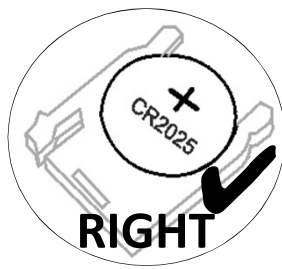
Step17



Step18



Step19



Remote control does not contain batteries, please buy your own a CR2025 button battery installed into the remote control