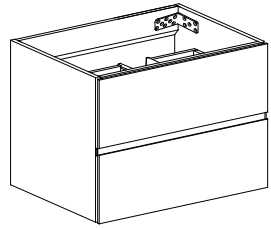


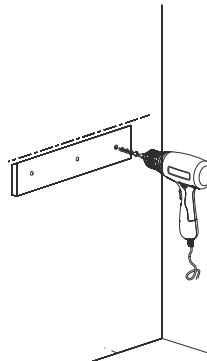
Installation Guide



Edi30B

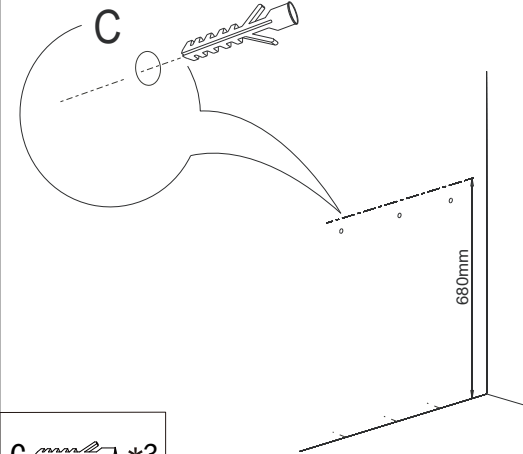
1

Hole
dia=Φ5
Depth=40



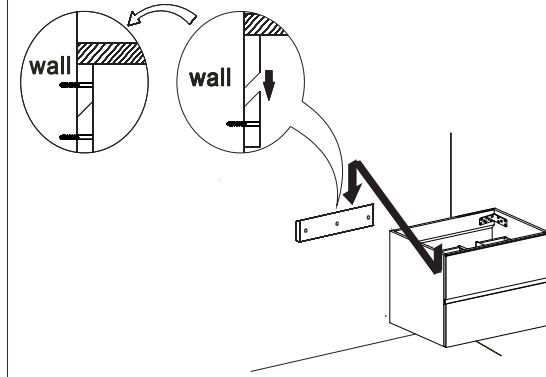
D *1

4

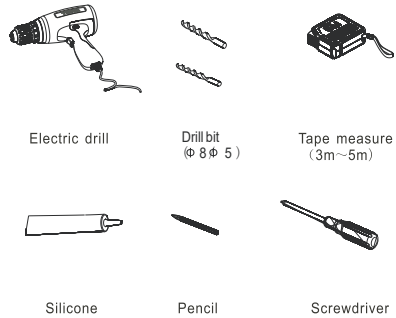


C *3

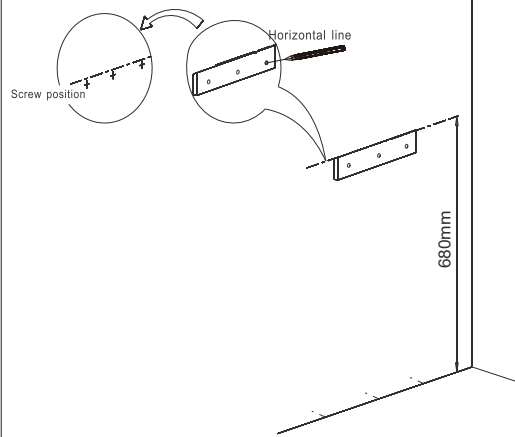
6



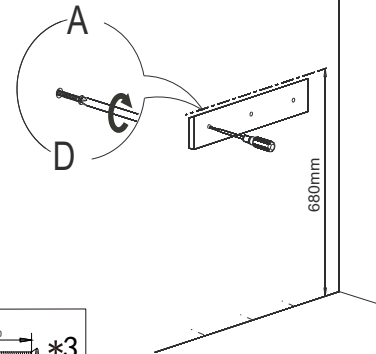
Tools required for installation



2

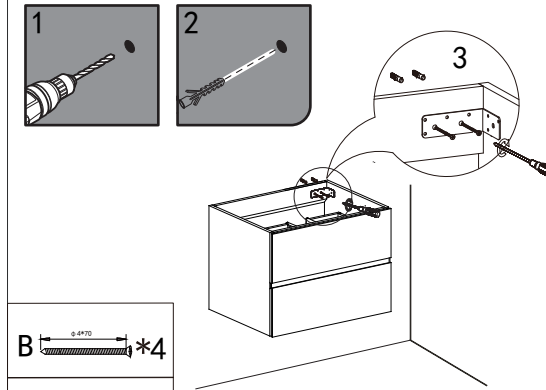


5



A *3

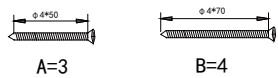
7



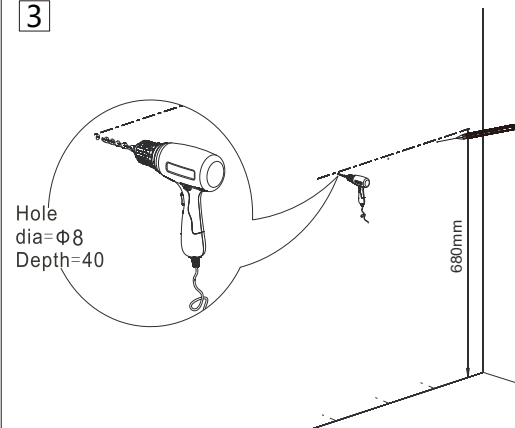
B *4

C *4

CABINET



3



8

