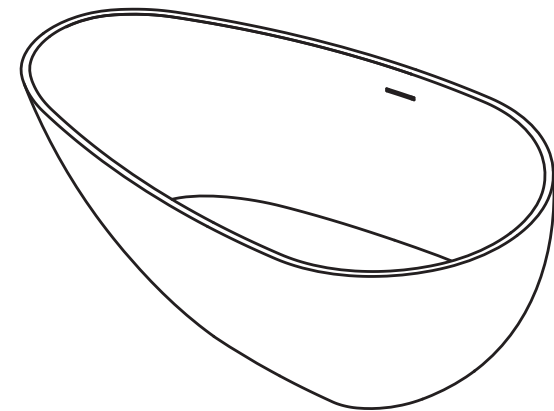


Bathtub Installation Instructions

(Solid Surface)



As the product style is continuously updated, the actual product may not match the illustration, but the basic principle is the same.
After the installation is completed, this manual must be kept by the customer.



This bathtub manual must be given to the user along with the bathtub.
This warranty is only valid if installed by a professional installer following the steps in the instructions.



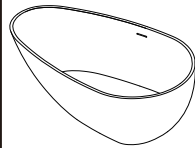
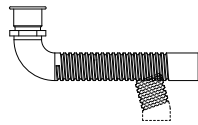

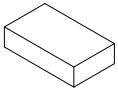
Precautions Before and After Installation

1. Please check the product for completeness and possible damage immediately after receiving the goods (see the parts list on page 02 for details).
 2. Inform your dealer immediately if any damage occurs, we are not responsible for any damage incurred during or after installation.
 3. Please check the door width before starting work, and whether the purchased bathtub can safely pass through the door of the room where the bathtub will be installed.
 4. Only use the transport straps to lift/move the tub, be careful not to use hoses or mounting parts.
 5. Do not lay any circuit under the bathtub. Please use a suitable protective cover during installation to avoid damage to the product surface or internal blockage due to falling debris or dust during installation.
 6. Check the waterproofness of the bathtub. After connecting the water supply and drainage pipes, you must test the water in the bathtub to check whether there is any water leakage.
 7. Special precautions:
 - When cleaning the tiles, please ensure that no ammonia or similar aggressive cleaning agents come into contact with the installed parts.
 - Artificial stone bathtub in use, need to consider the relative temperature difference between water temperature and ambient temperature, can not be in the very cold areas suddenly add high temperature water (preferably less than 50 °C), otherwise easy to cause damage to the product due to thermal stress.
- Note: We reserves the right to modify or change this product without prior notice.

Parts List



After unpacking, please confirm the parts and quantity according to the following contents.

Product Name	Bathtub	Side Drain Fittings	Installation Instructions	Sanding -sponge
Quantity	1	1	1	1
Schematic Diagram				

Installation Requirements

A. Required tools

- Wrench
- Scale
- Spirit level
- Safety shoes
- Square ruler
- Screwdriver
- Pliers
- Utility knife

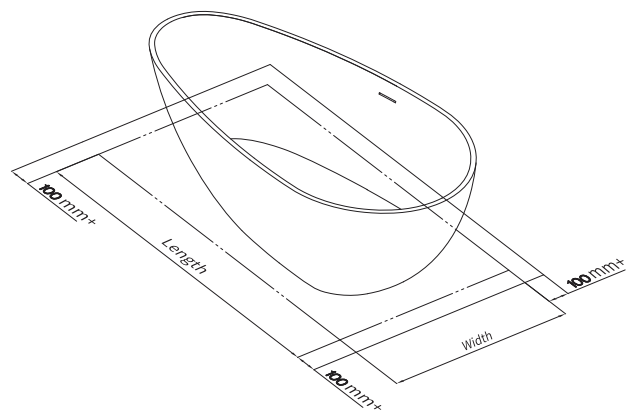
B. Required Materials

- Plumbing putty
- Wall protector
- Sealing silicone

Installation Steps

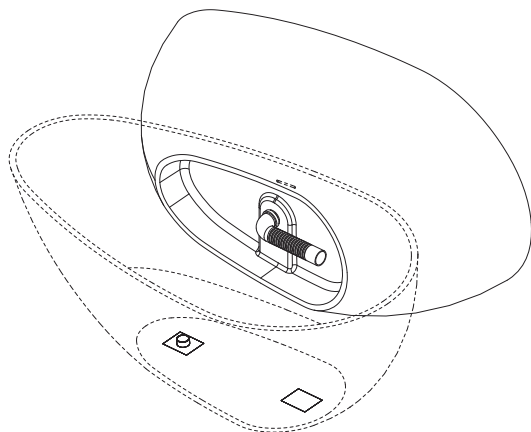
! Bathtub installation preparation

Please ensure a space 100mm larger than the product size of the bathtub, and determine the installation position of the bathtub.

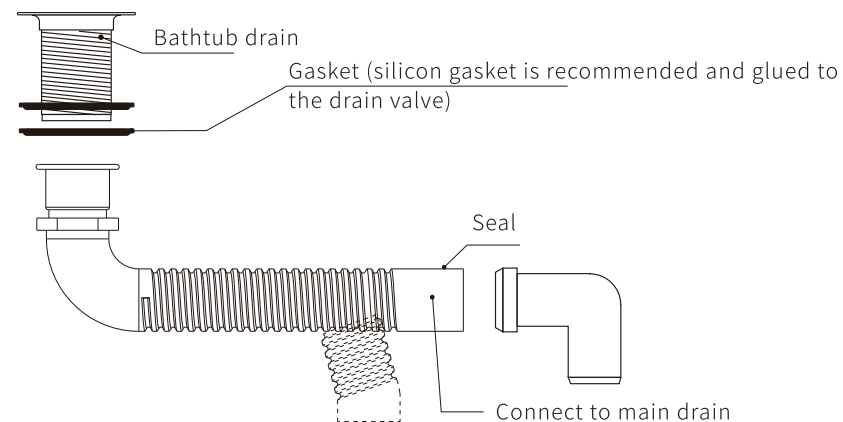


! Bathtub installation

Put the side of the bathtub on the soft pad (as shown in the picture) and connect the drain pipe. After installation, fill with water to check if the seal is good.

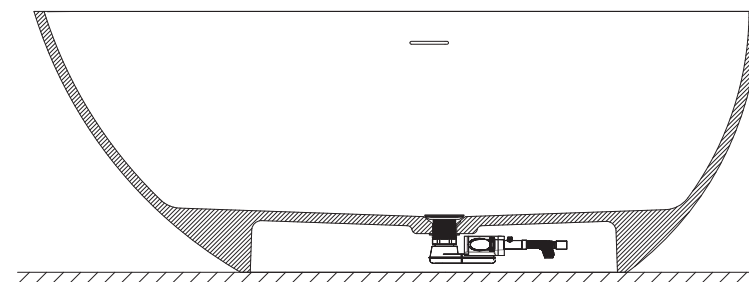


Installation Steps

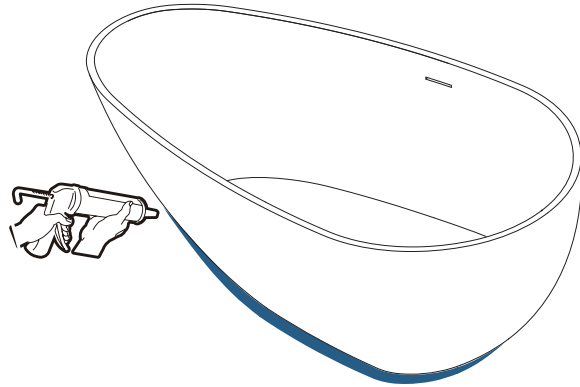


! Fix the Bathtub

Fix the base to the floor with silicone until the tub is level as a whole (overhanging parts can be filled with silicone or cement). Let it cure for 24 hours before proceeding with other construction.



Installation Steps



! Clean up

After the installation, please clean the floor, and finally clean the bathtub with a rag dipped in a neutral detergent.

Maintenance

Solid surface products have excellent physical properties, and food, dust, and bacteria will not invade its surface. Daily maintenance only needs to use sponge, soap or window cleaner, paper towel to remove dust and dirt. To disinfect, you can use diluted bleach and water (1:1) or other disinfectant to wipe the surface.

1. Do not place colored items in the tank for a long time to prevent seepage.

If the water stays on the surface for a long time (because the water contains a lot of bleach and scale) to form stubborn dirt and affect the appearance, or because of other stubborn stains such as hair dye, food coloring, etc., dip a non-abrasive cloth with a scouring pad. The cleaner rubs in a circular motion and enhances the surface with a non-abrasive polish.

2. Do not directly scratch the surface of the solid surface bathtub with blades and other hard objects, do not let heavy or sharp objects hit the surface directly, and do not scald with boiling water immediately after rinsing with cold water, so as not to leave marks. If there are scratches on the surface, use 600-1200 mesh water abrasive paper to wipe it, and spray brightener after drying. If there are small white marks, use cooking oil and a dry cloth to wipe the surface lightly.

After-sales and guarantee

Free maintenance policy

1. During the warranty period, if the user correctly follows the instructions of the installation manual and uses the products of the company, the company will repair the faulty products free of charge.
2. If the damage occurs within the warranty period and needs to be repaired free of charge, please entrust the installation company with this warranty and purchase invoice.
3. During the warranty period, the maintenance of the occasions listed below is not within the scope of free maintenance.
 - Faults and damages caused by improper use or unauthorized repair and modification.
 - Faults and damages caused by inattention or negligence during installation and construction.
 - Faults and damages caused by using this product outside the scope of use.
 - Damage caused by sand or dirt.
 - Dirty, rusted plating parts, etc. caused by improper daily maintenance
 - Failure and damage due to fire, earthquake, flood, lightning strike, and other natural disasters, public hazards, gas hazards (liquefied gas), salt damage, abnormal voltage, and use of an unspecified power supply.
 - Occasions not specified in this warranty.
 - When the user's name, installation company, and purchase date are not filled in this warranty. When the purchase receipt cannot be presented.
4. This warranty will not be replaced if it is lost, please keep it properly.