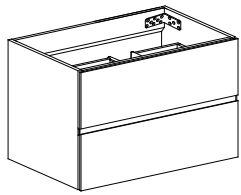
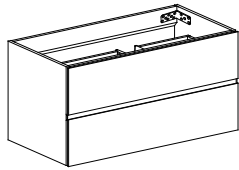


Installation Guide



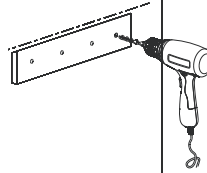
Edi36B



Edi48B

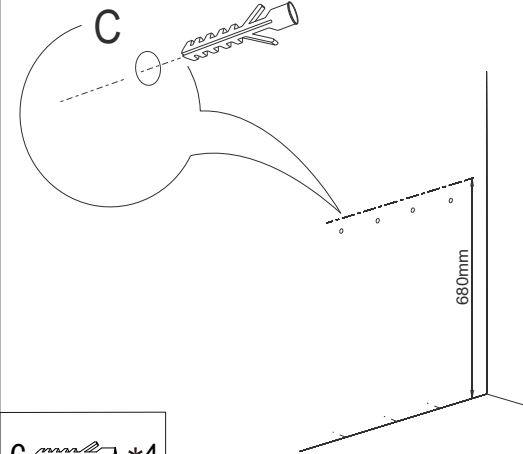
1

Hole
dia=Φ5
Depth=40



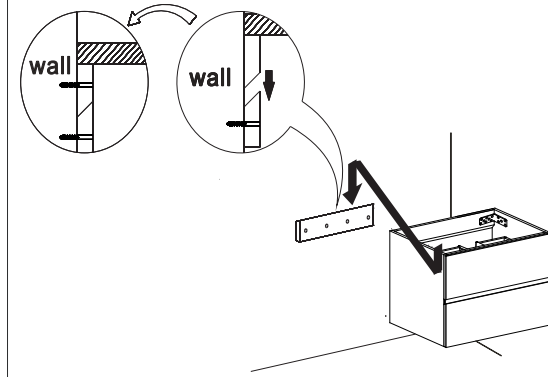
*1

4



*4

6



Tools required for installation



Electric drill



Drill bit
(Φ 8 Φ 5)



Tape measure
(3m~5m)



Silicone

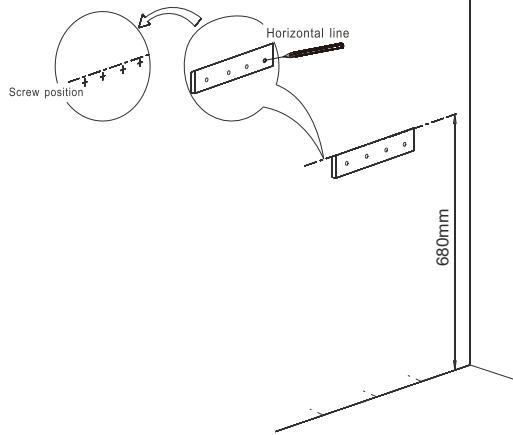


Pencil

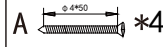
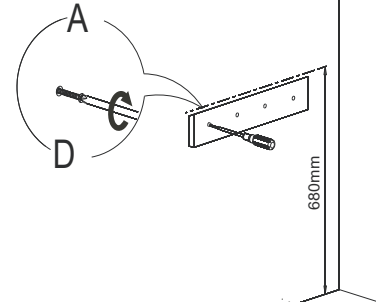


Screwdriver

2

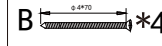
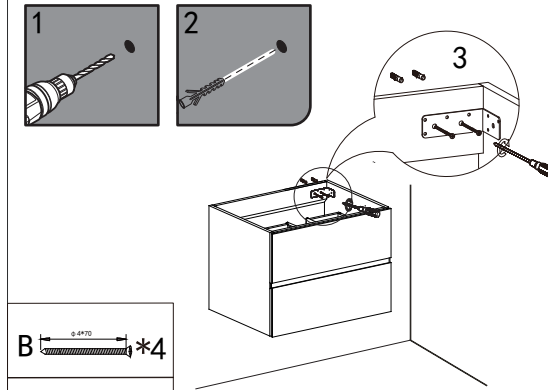


5



*4

7



*4

*4

CABINET



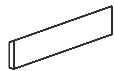
A=4



B=4

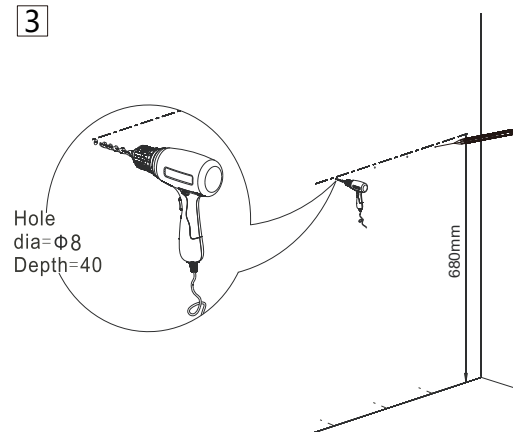


C=8



D=1

3



Hole
dia=Φ8
Depth=40

8

