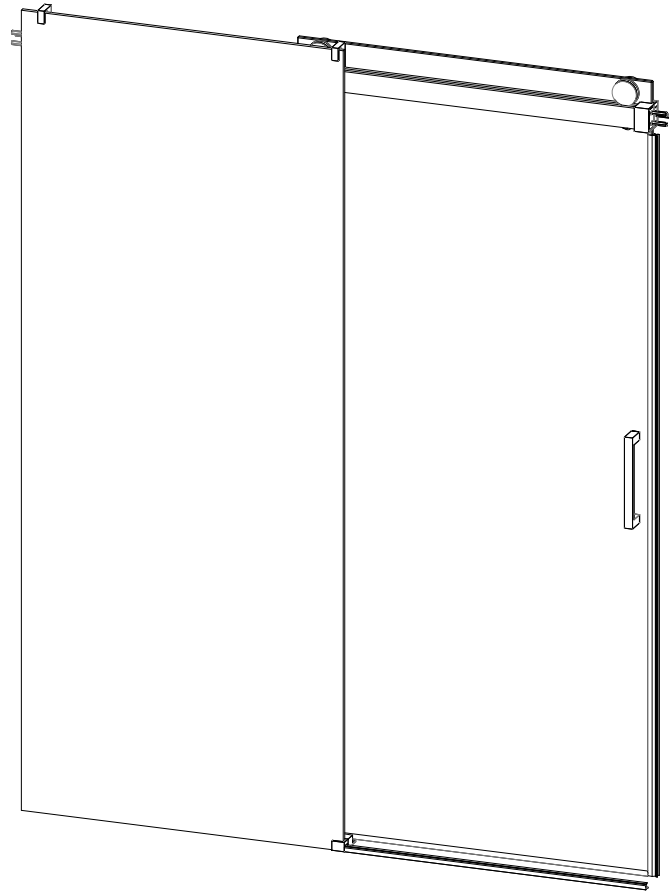


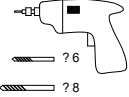


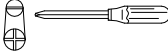
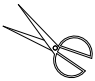
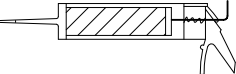
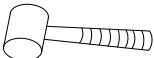
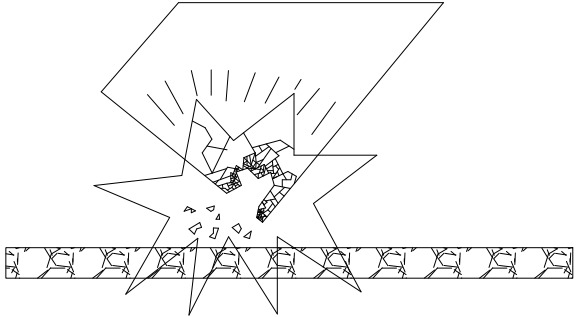
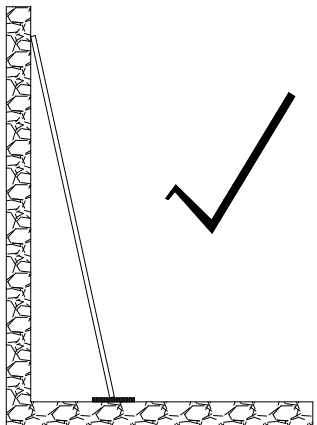
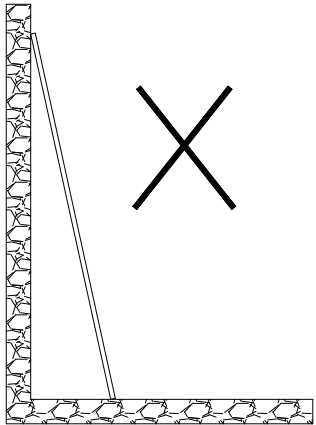


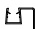

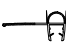

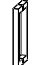





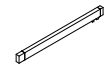




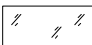






22D01

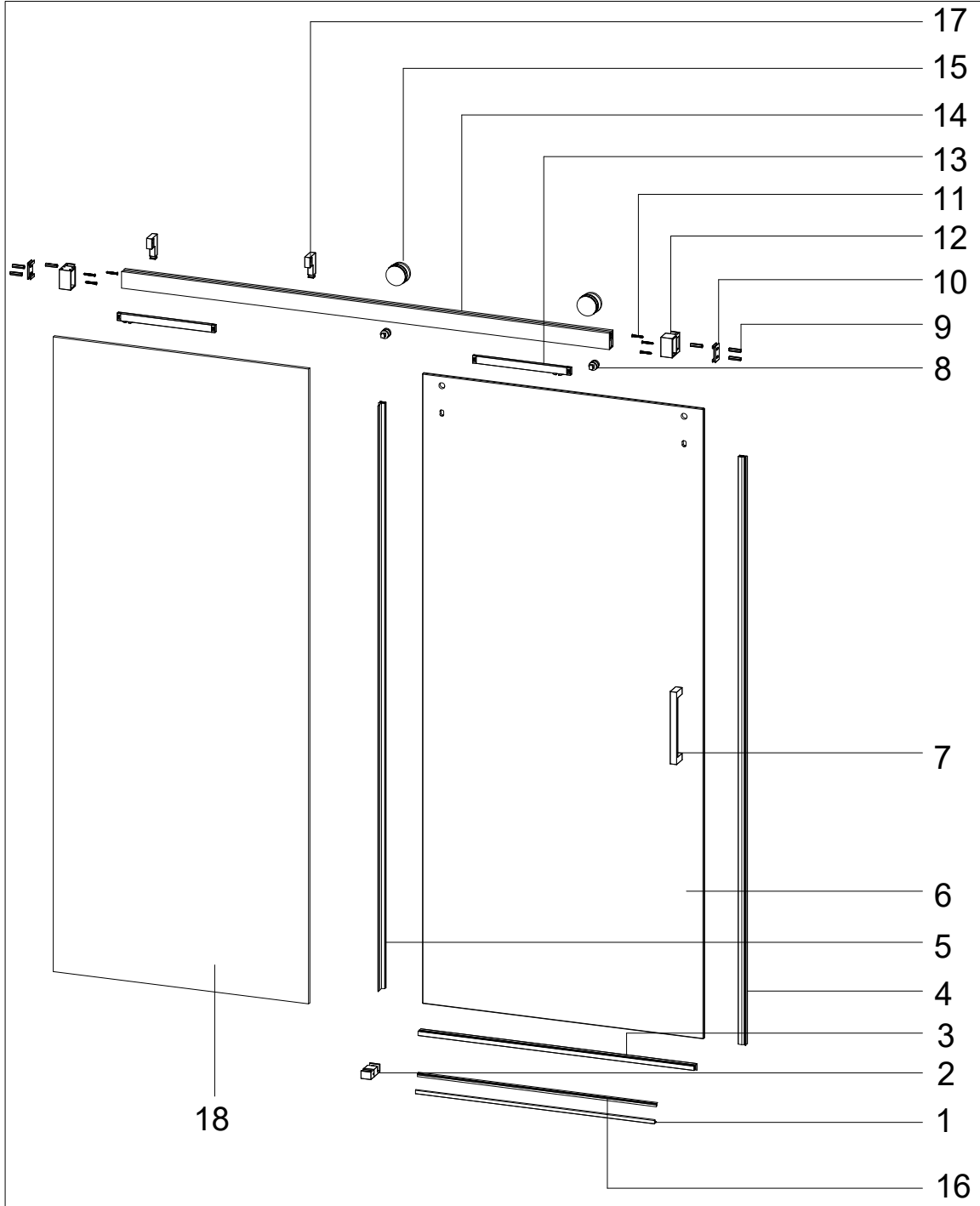


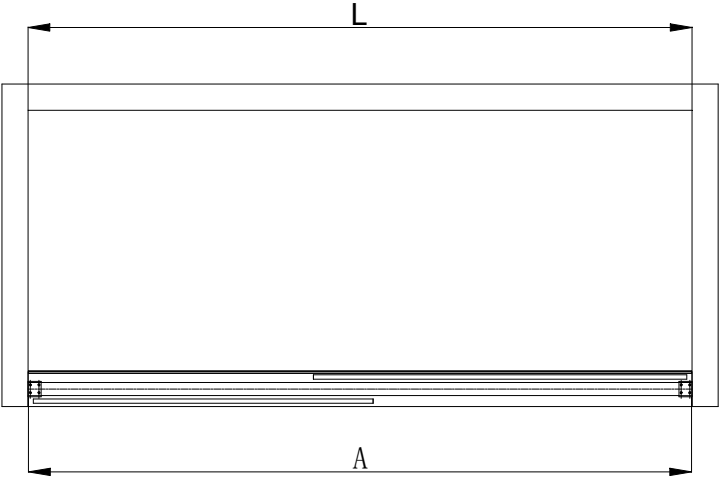


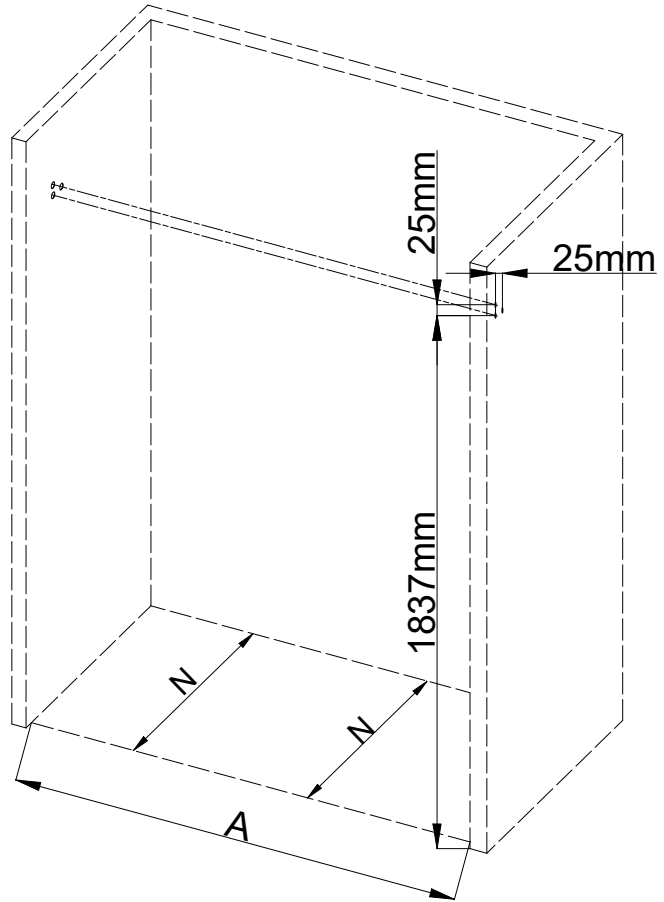
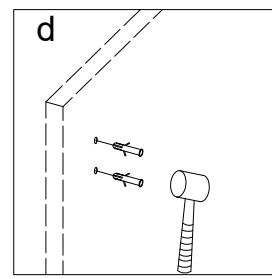
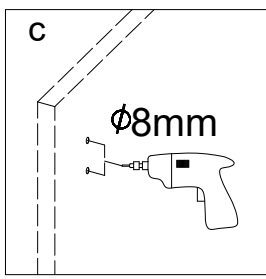
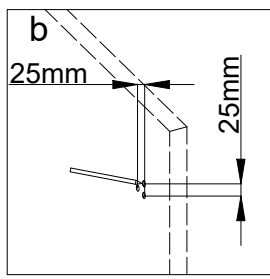
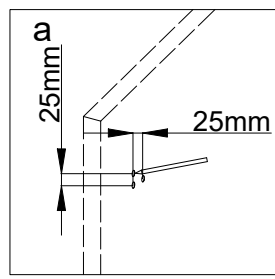
Serial Number	Graphical	Name	Quantity	Remark
01		anti-splash threshold	1PCS	
02		guide block	1PCS	
03		lower cross tape	1PCS	
04		door seal	1PCS	
05		fixed panel seal	1PCS	
06		sliding door	1PCS	
07		towel bar	1PCS	
08		anti-jumping knob	2PCS	
09		∅8	6PCS	
10		wall mounting	2PCS	
11		ST5*40	6PCS	
12		wall bracket	2PCS	
13		buffer (optional)	2PCS	
14		rail	1PCS	
15		roller	2PCS	
16		Lower water retaining tape	1PCS	
17		Glass Clamp	2PCS	
18		glass panel	1PCS	

18		M2.0	1PCS	
19		M2.5	1PCS	
20		M4.0	1PCS	
21		M5.0	1PCS	

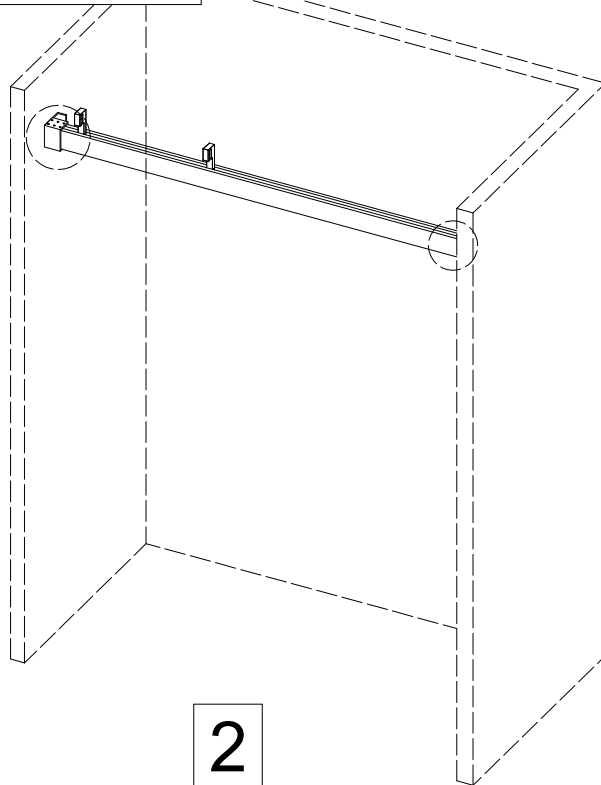
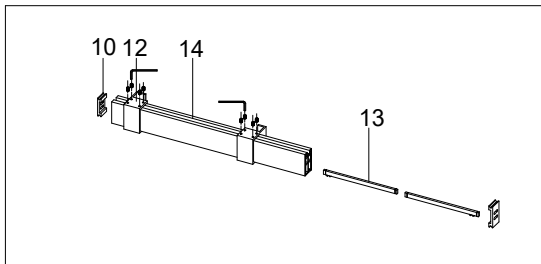
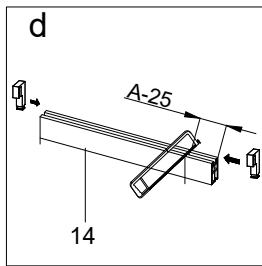
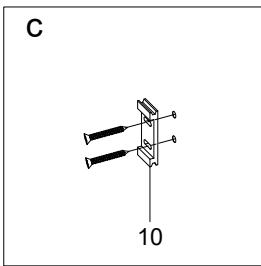
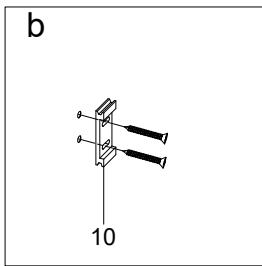
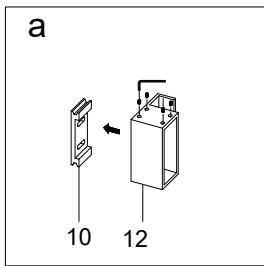


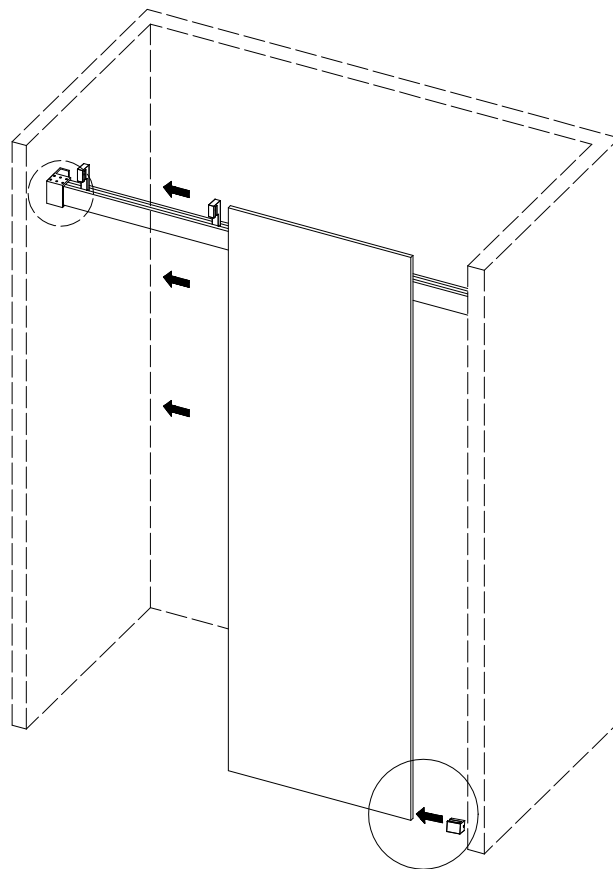
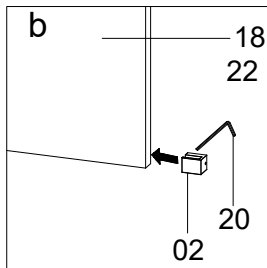
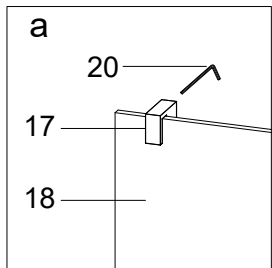
L	A(mm)
1524	1514-1524
1829	1819-1829

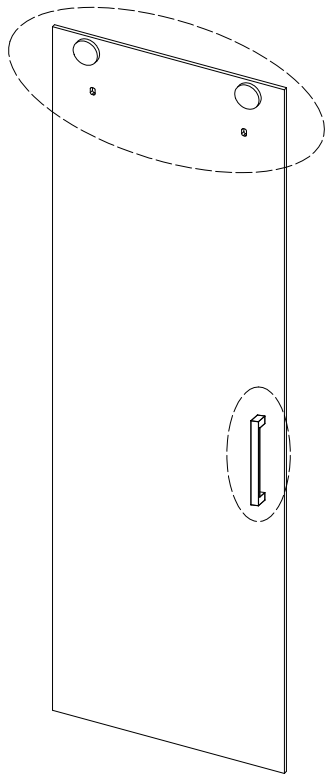
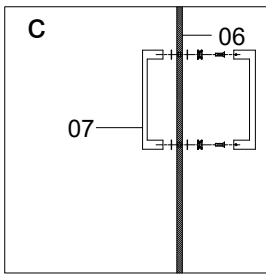
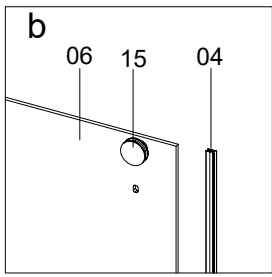
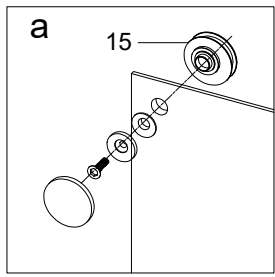




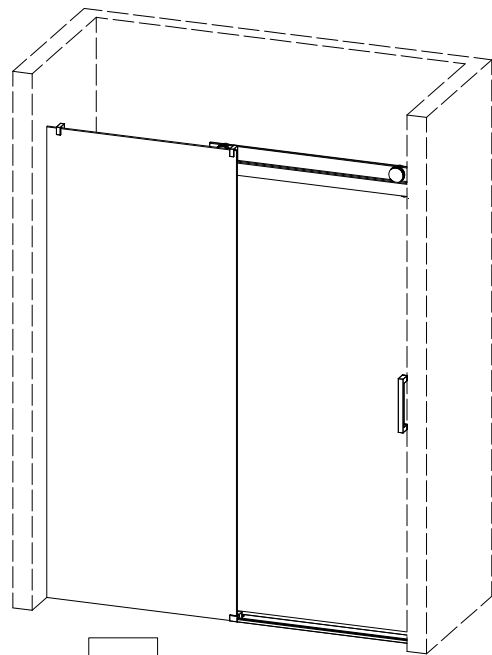
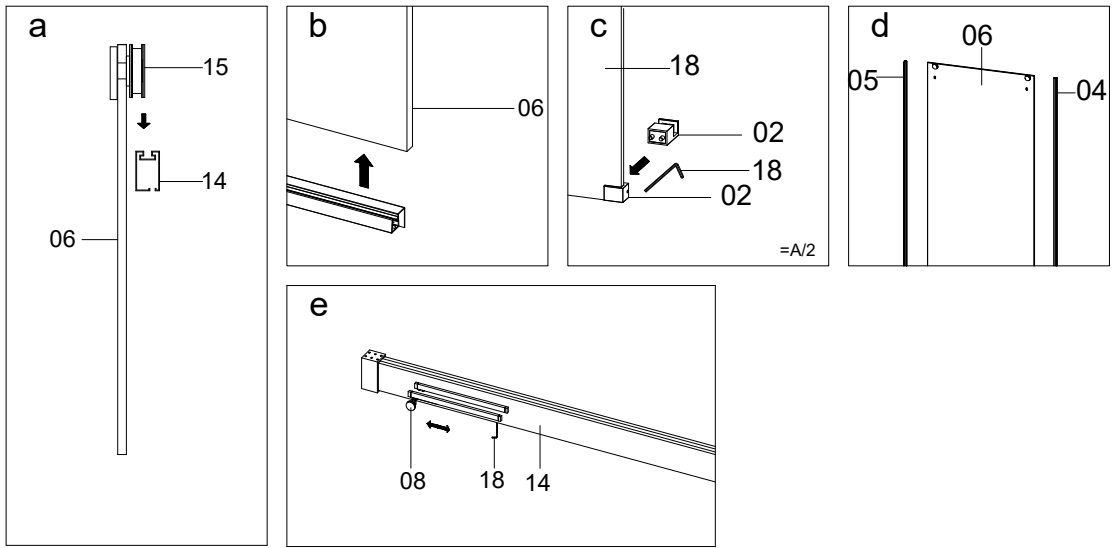
1



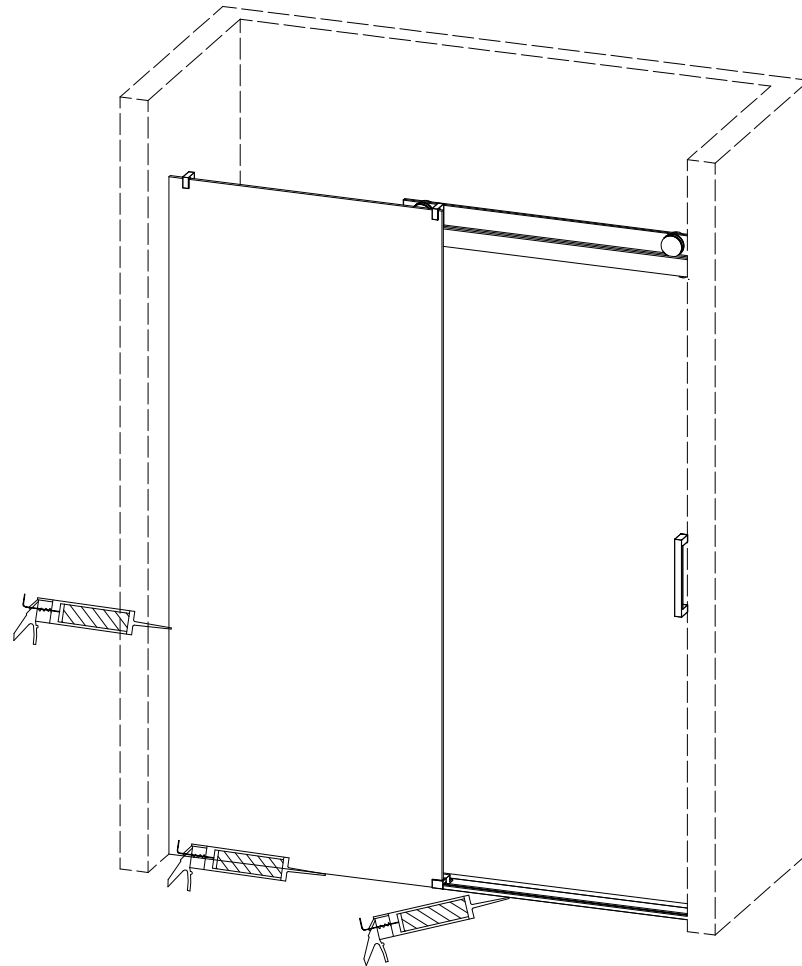




4



5



6