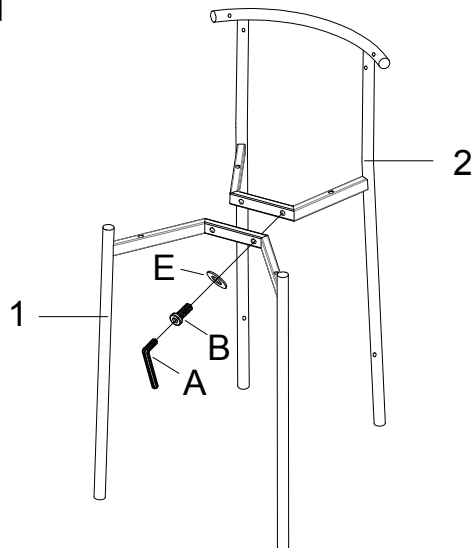
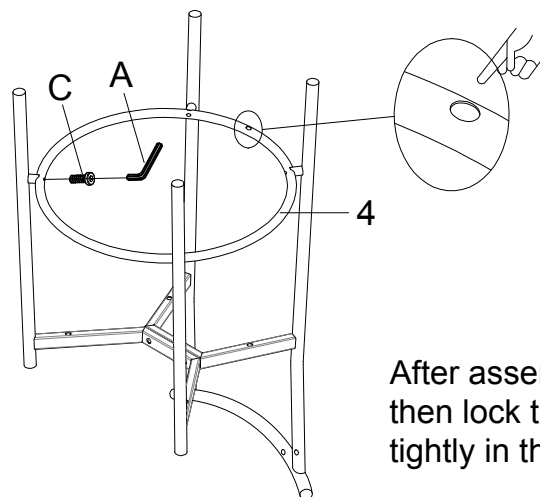


Step 1



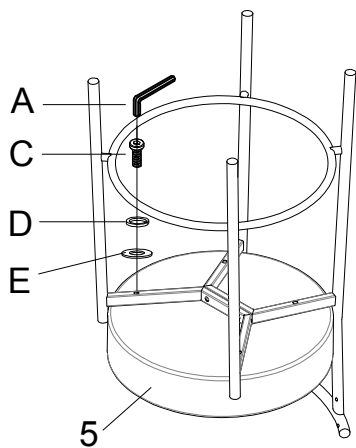
Step 2



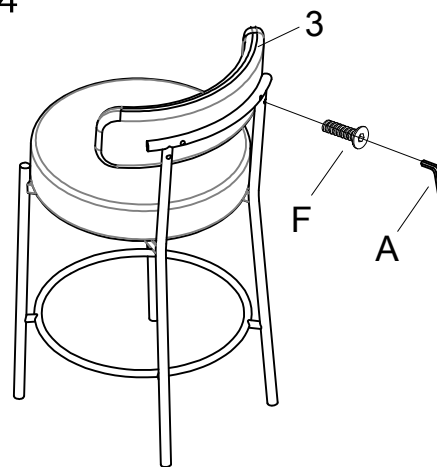
Don't lock the two screws tightly first.

After assembling the ring, then lock the two screws tightly in the step 1.

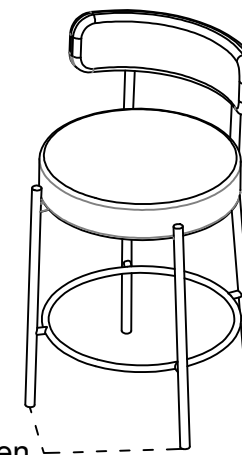
Step 3



Step 4



Step 5



Adjust if uneven

	1	2	3	4	5	A	B	C	D	E	F
6773 6774											
	1pc	1pc	1pc	1pc	1pc	1pc 4.0	2pcs M6*35	8pcs M6*45	4pcs φ13	6pcs φ16	4pcs M6*35