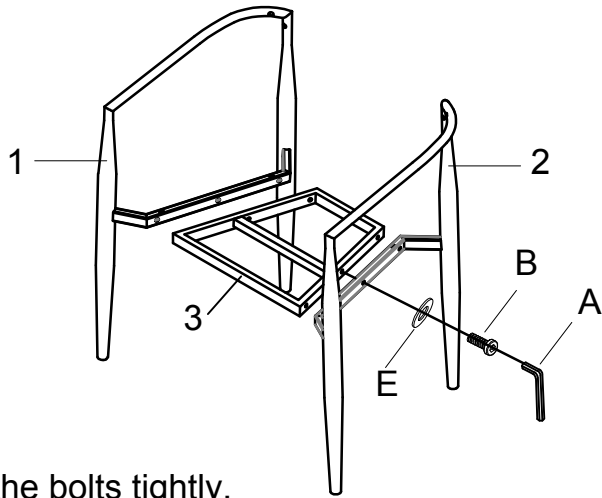
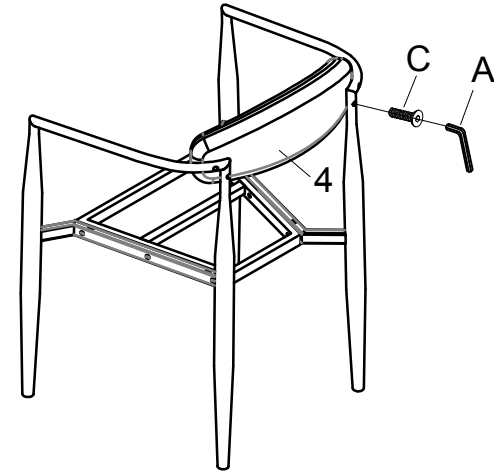


Step 1



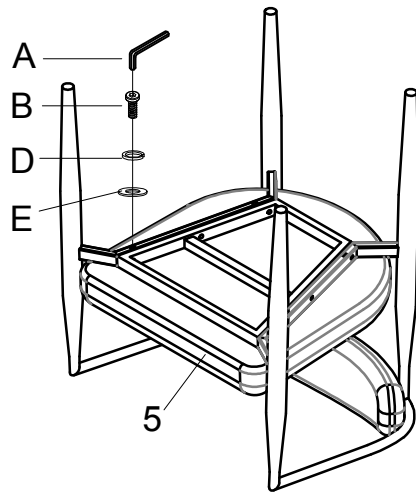
Don't lock the bolts tightly.

Step 2

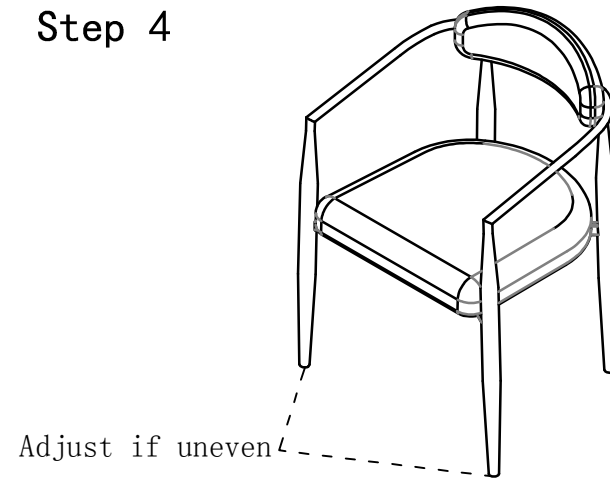


Don't lock the bolts tightly first, level the chair and tighten all the bolts at the end.

Step 3



Step 4



Adjust if uneven

	1	2	3	4	5	A	B	C	D	E
6769 6770										
	1pc	1pc	1pc	1pc	1pc	4.0	M6*40	M6*35	φ13	φ16
	1pc	1pc	1pc	1pc	1pc	1pc	10pcs+2	4pcs+2	4pcs+2	10pcs+2