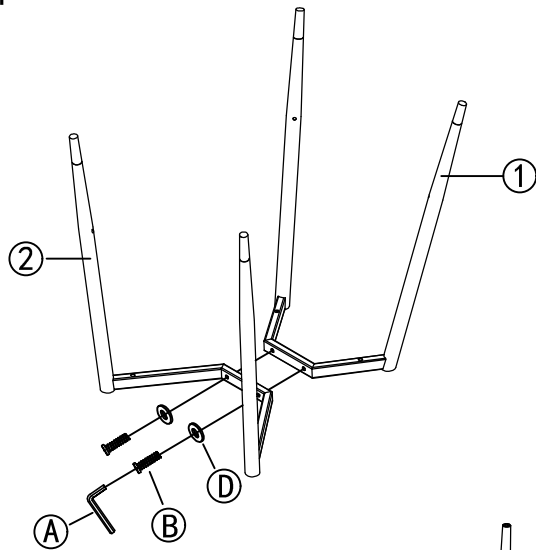
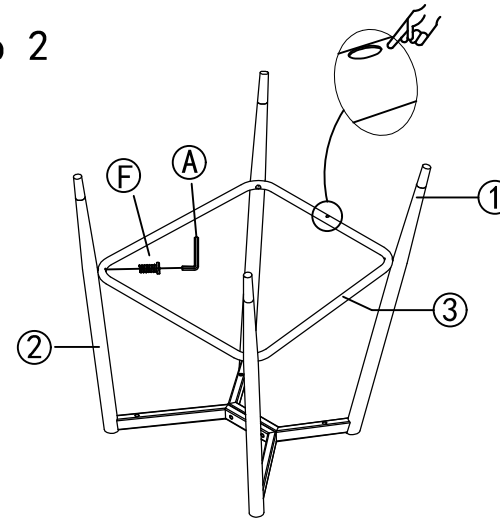


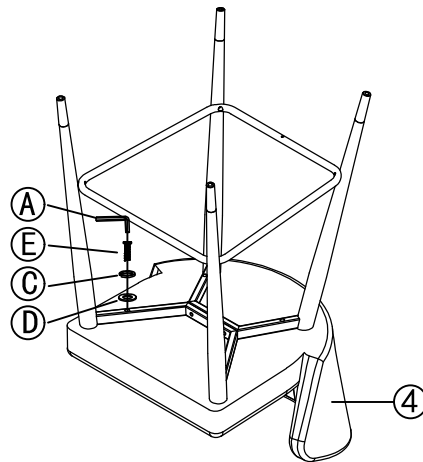
Step 1



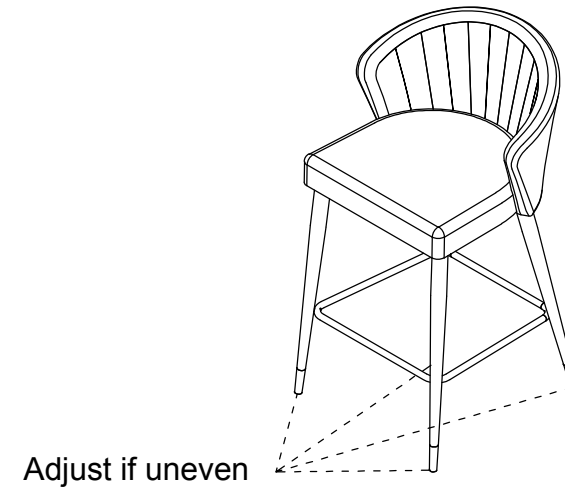
Step 2





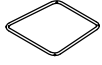







Step 3



Step 4



WARNING : Assembly all the bolts then tighten one by one.

	1	2	3	4	A	B	C	D	E	F
6793	back 	front 			 4.0	 M6*35	 Ø13	 Ø16*Ø6	 M6*45	 M6*20
	1pc	1pc	1pc	1pc	1pc	2pcs	4pcs	6pcs	4pcs	4pcs