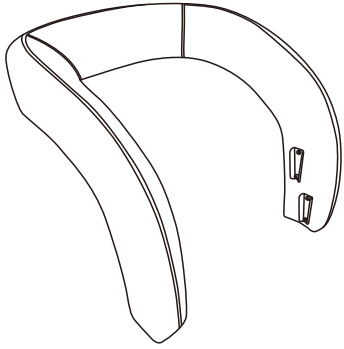
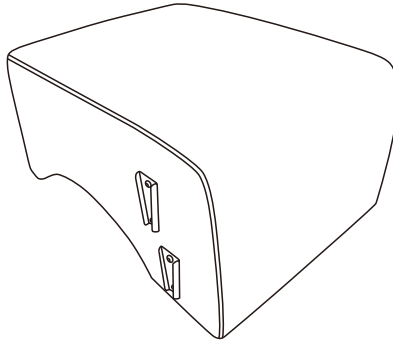


ASSEMBLY INSTRUCTIONS HFSN-723

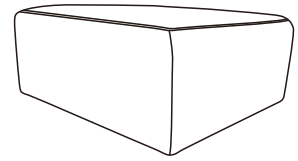
Ax1



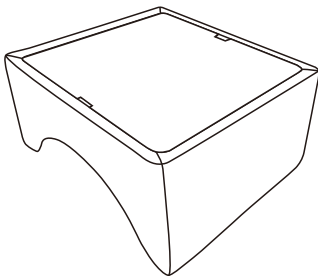
Bx1



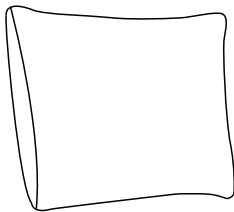
Cx1



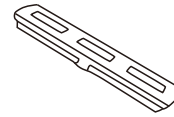
Dx1



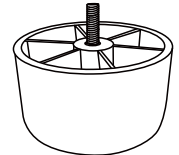
Ex1



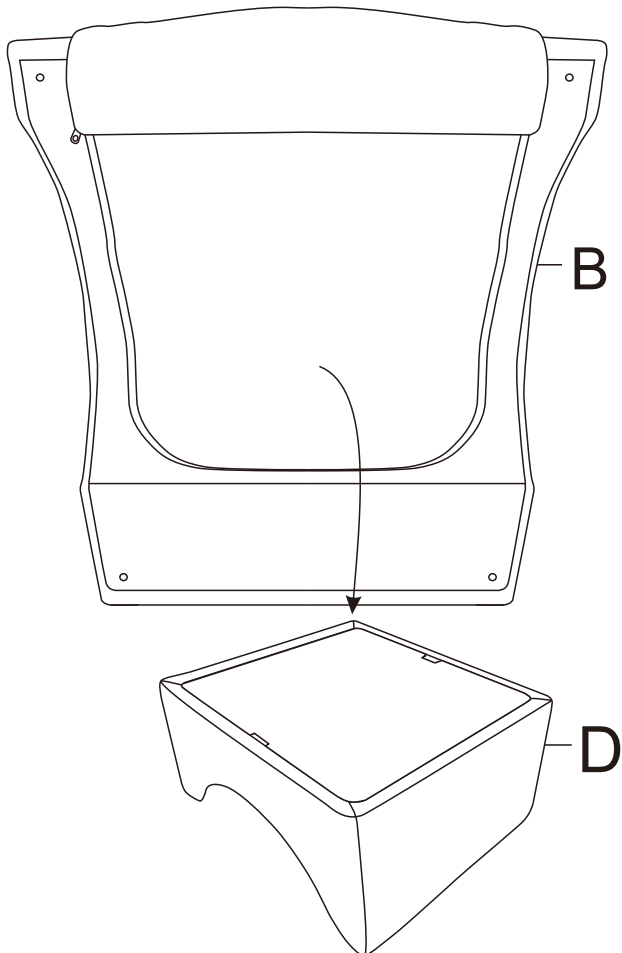
Fx2



Gx4

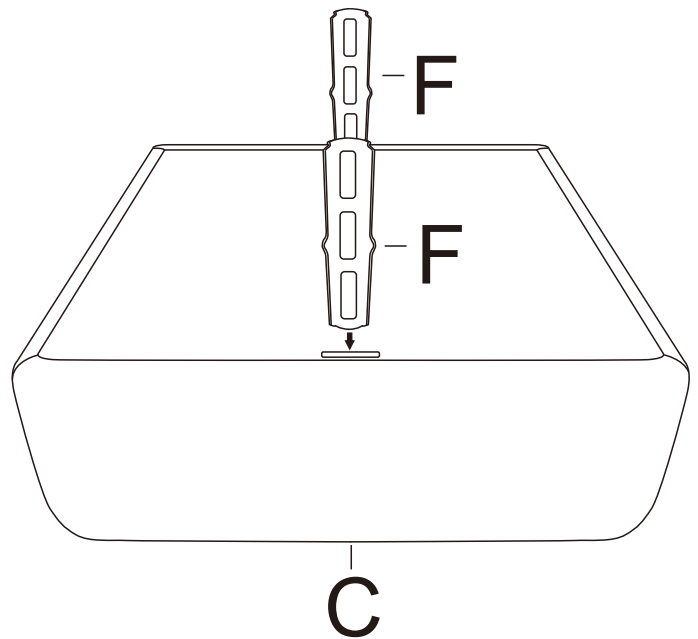


①

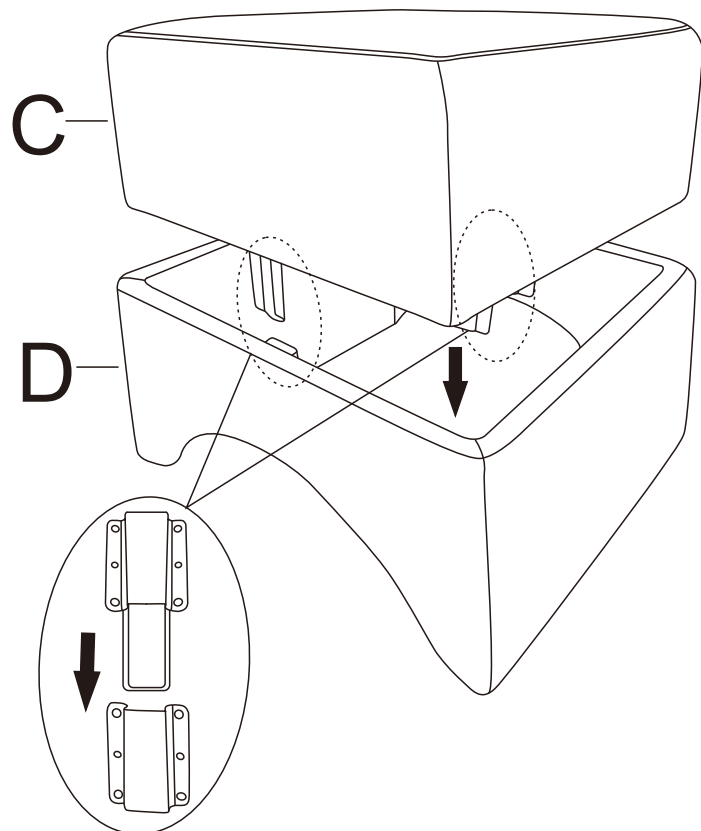


Open the bottom zipper and take out part D

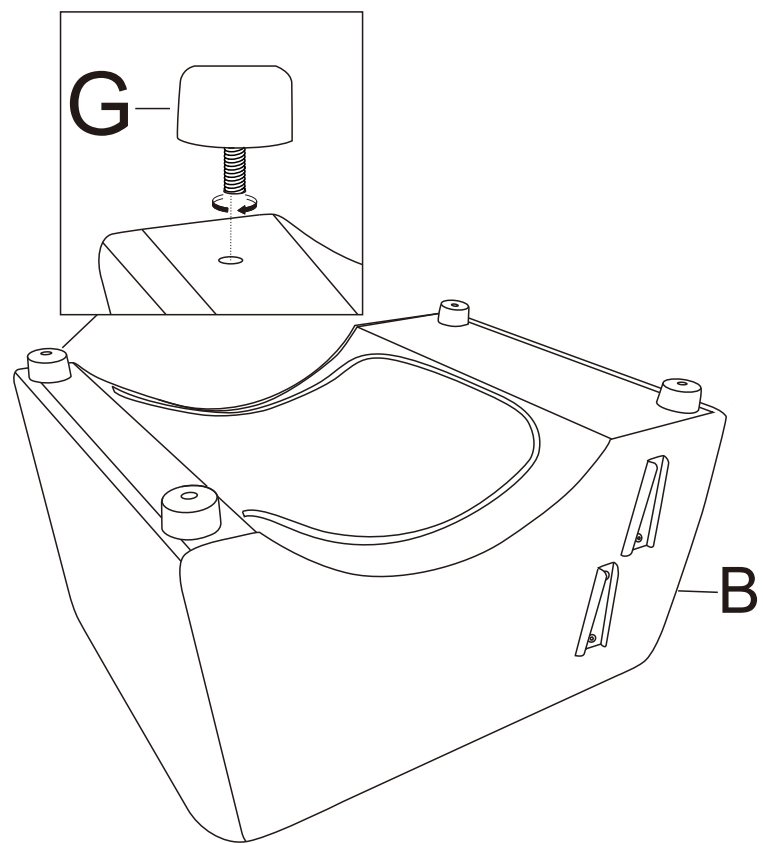
②



3

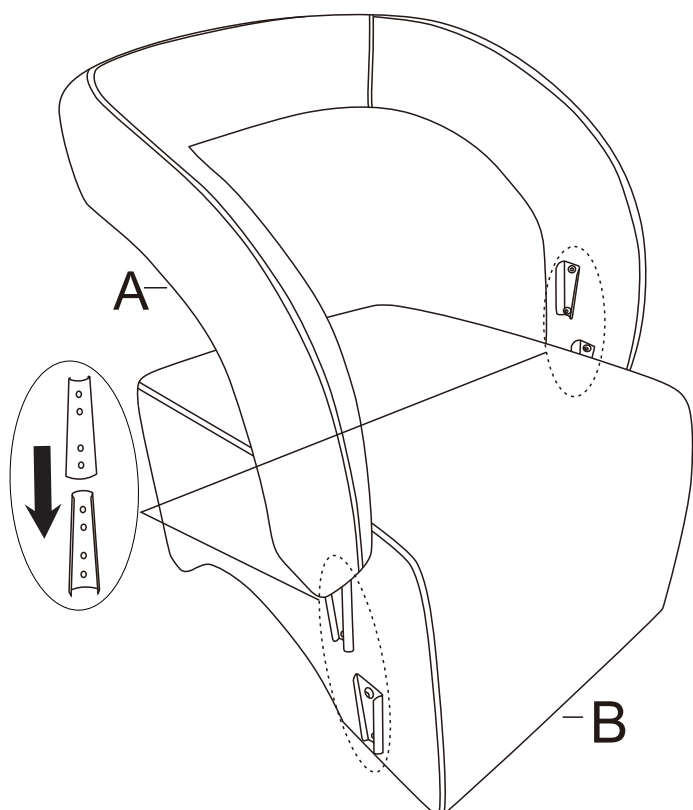


4



5

Align the illustration on the backrest with the illustration on the cushion and insert them to the end.



6

