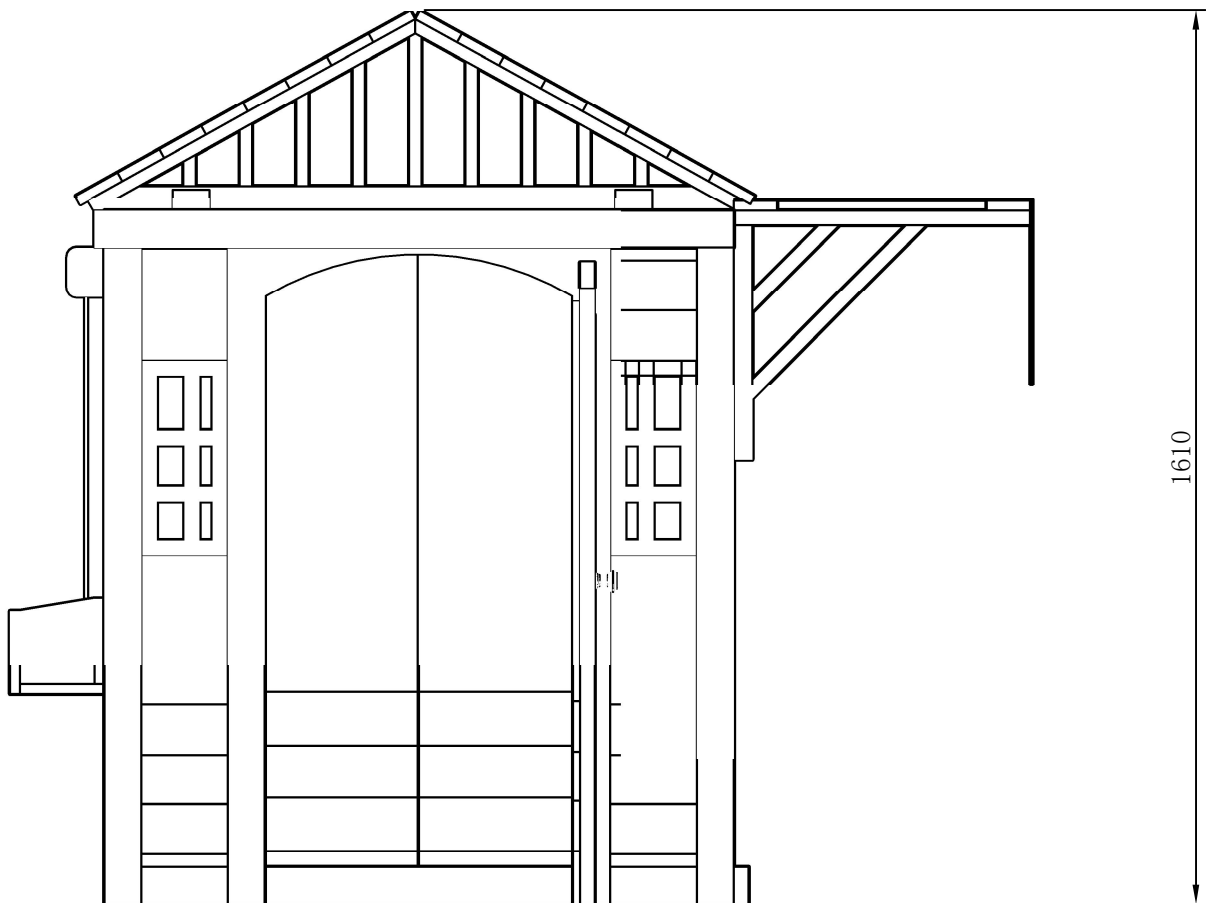
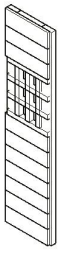


VERTICAL HEIGHT



TIMBERS

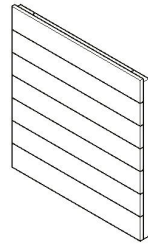
A1×1



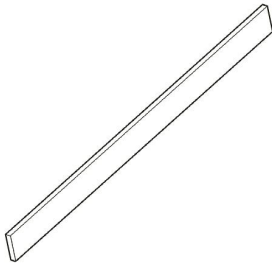
A2×1



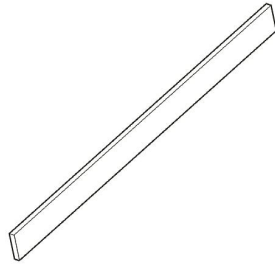
A3×2



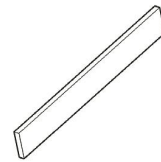
A4×1



A5×2



A6×1



F2×1



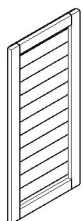
F3×1



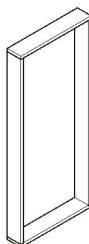
F4×1



C1×1



C2×2



C3×5



TIMBERS

C4×3



C5×4



C6×1



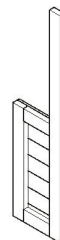
C7×1



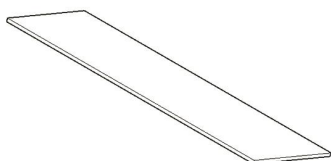
C8×1



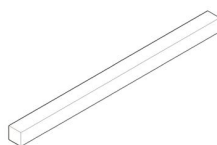
C9×1



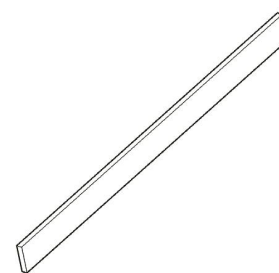
R1×16



R5×1

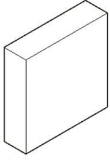


C11×1

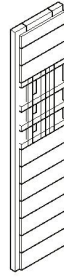


TIMBERS

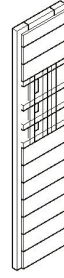
P1×5



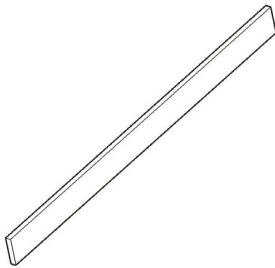
B1×1



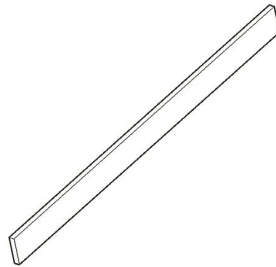
B2×1



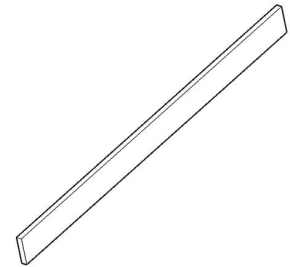
B3×1



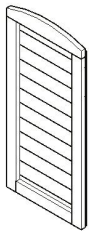
B4×1



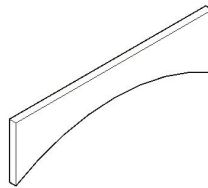
C10×1



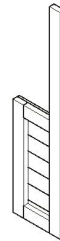
B6×1



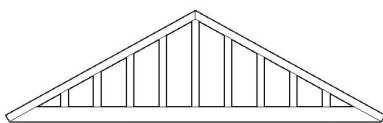
B5×1



B7×1

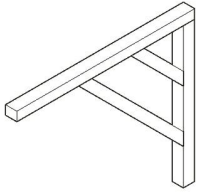


E1×2

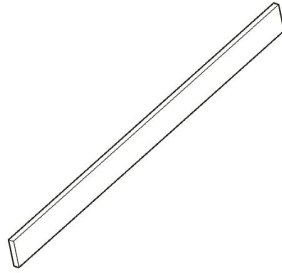


TIMBERS

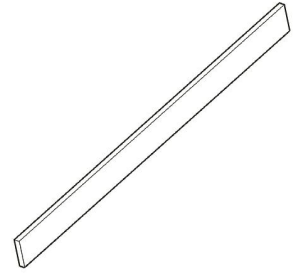
D1×2



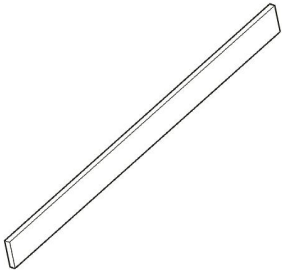
D2×1



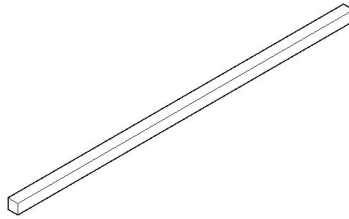
D3×1



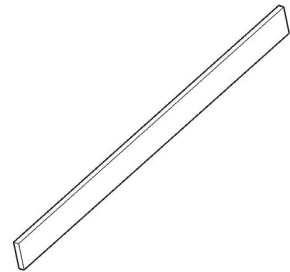
D4×1



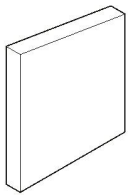
D5×1



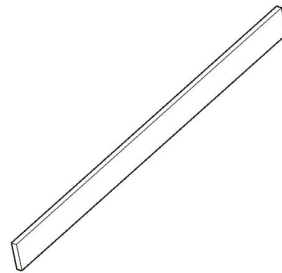
S1×1



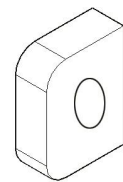
F1×2



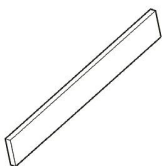
A7×1



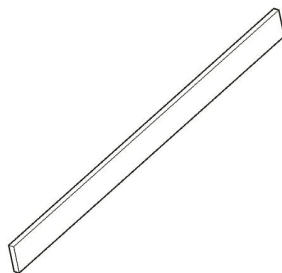
A8×2



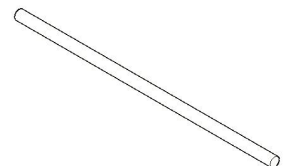
C2-1×2



C9-1×1



A9×1



FIXINGS

S35×208



S55×24



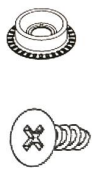
S15×14



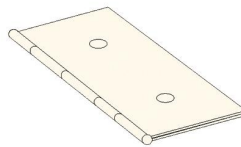
S40×15



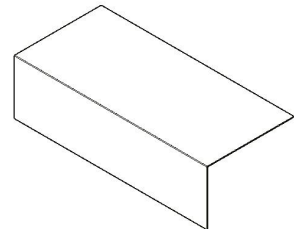
NK×4



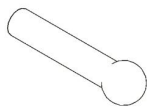
HY1×2



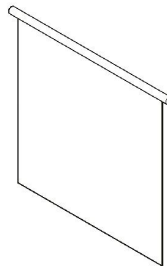
PB×1



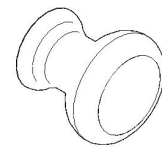
MG×17



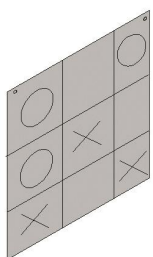
QB×1



LS×1



JG×1



LSS×1



STEP 1

C3 × 5

S35 × 58

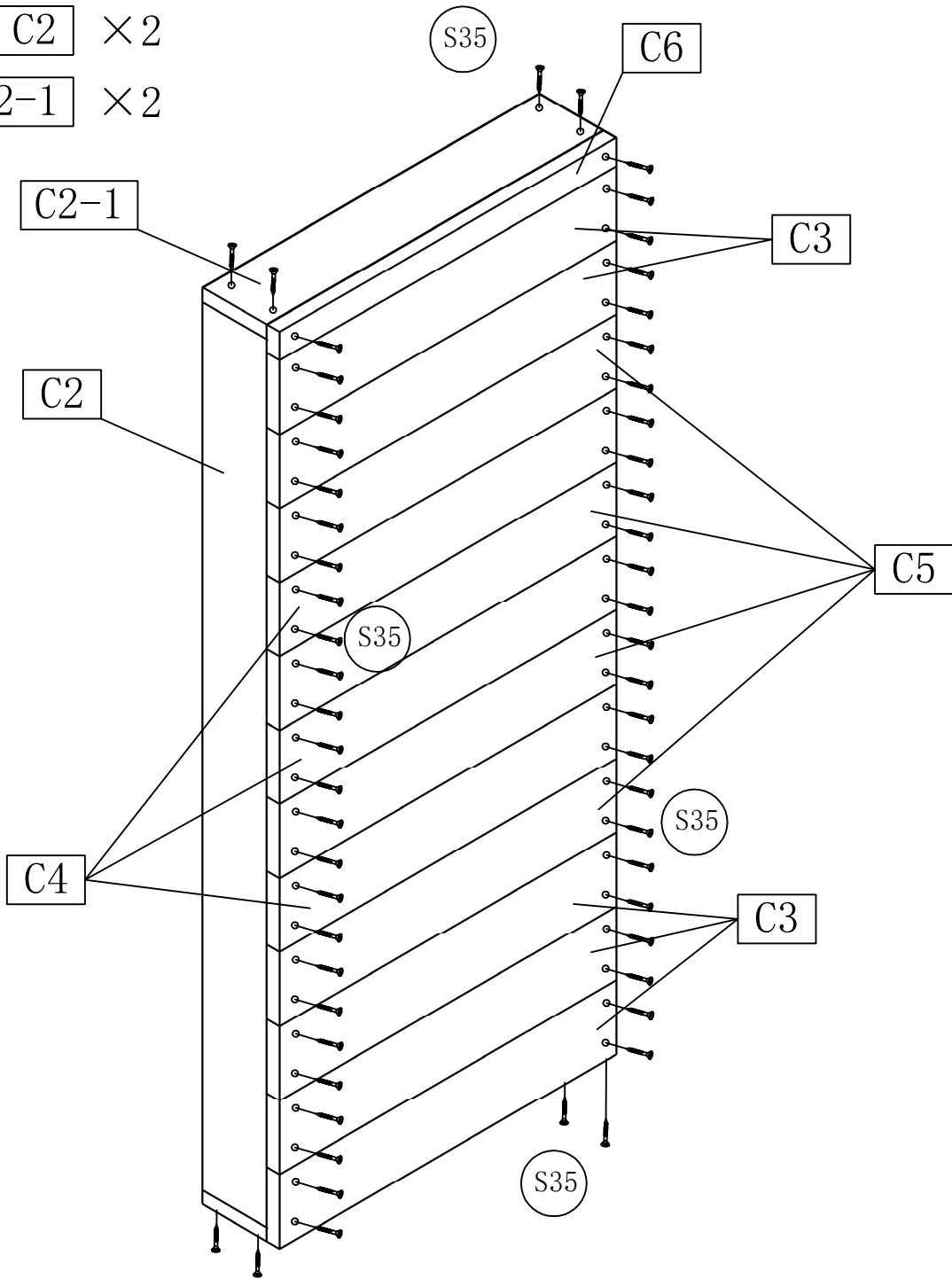
C4 × 3

C5 × 4

C6 × 1

C2 × 2

C2-1 × 2



STEP 2

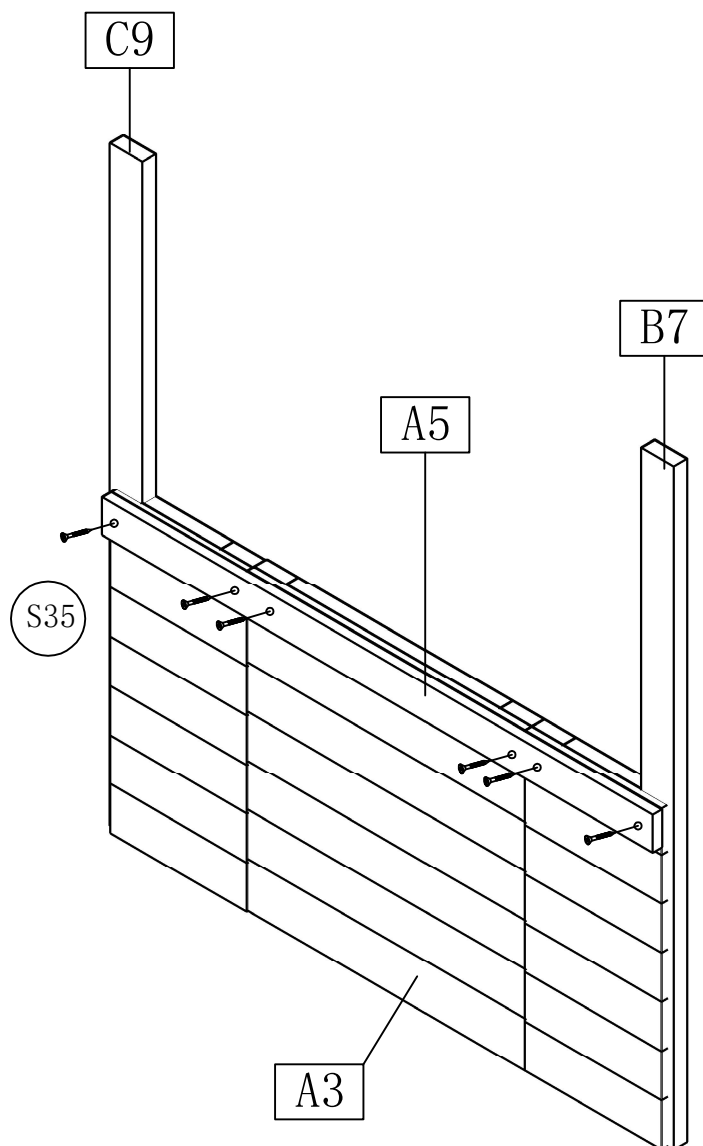
C9 × 1

S35 × 6

A3 × 1

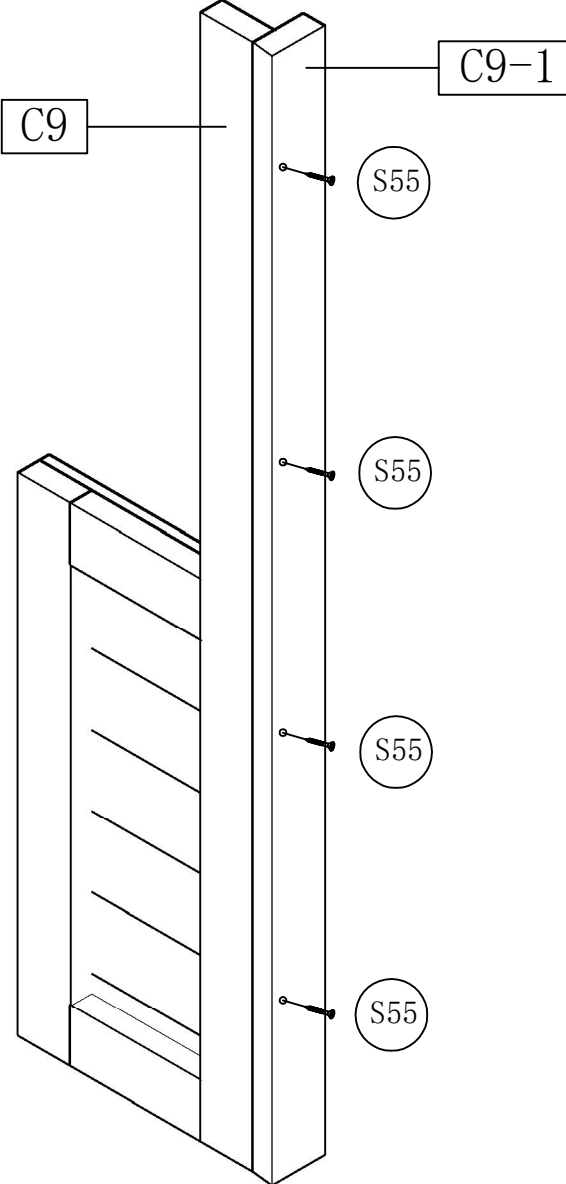
B7 × 1

A5 × 1



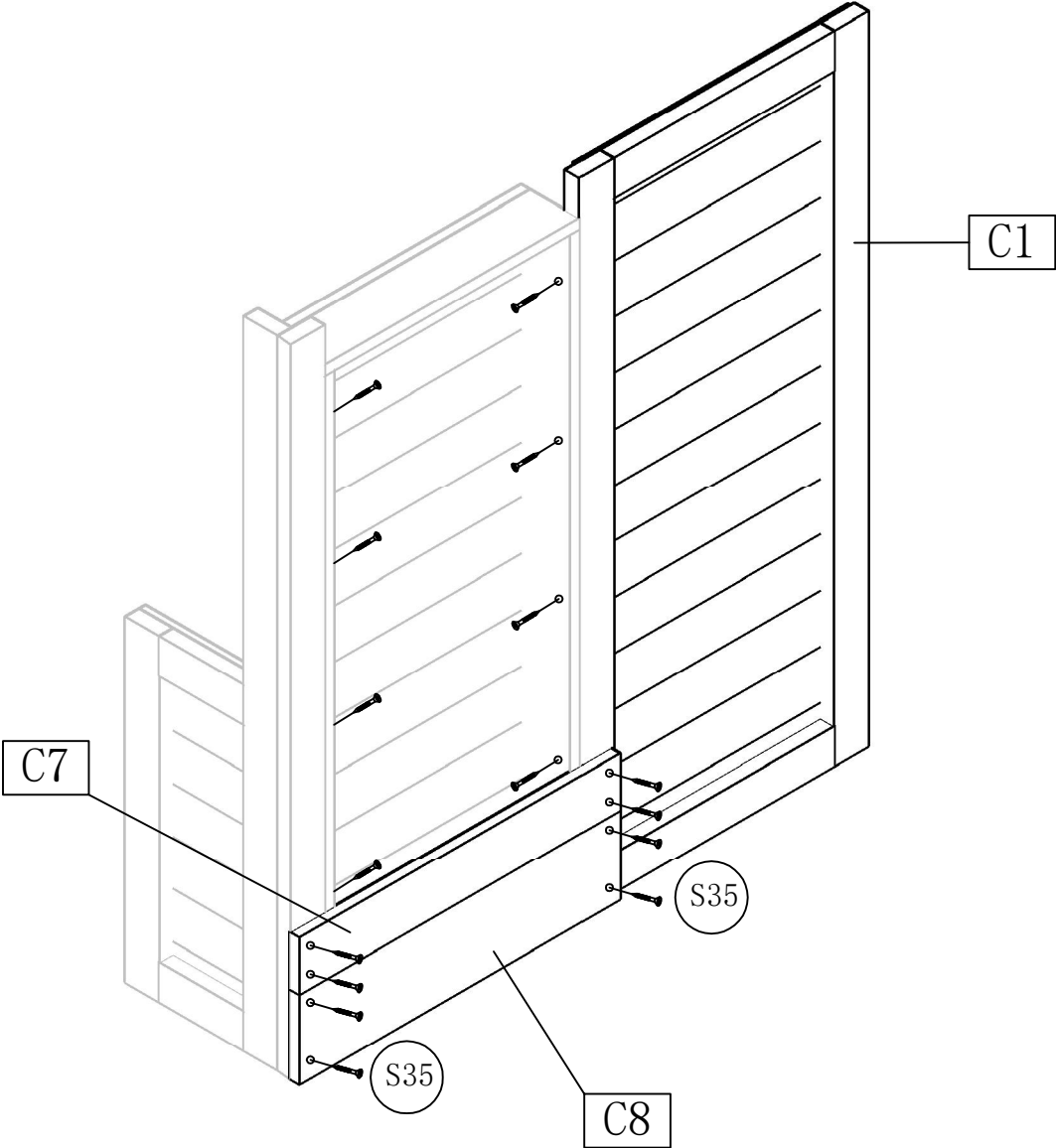
STEP 3

- C9 × 1
- C9-1 × 1
- S55 × 4



STEP 4

- C1 ×1 S35 ×16
- C7 ×1
- C8 ×1



STEP 5

A1 × 1

S35 × 18

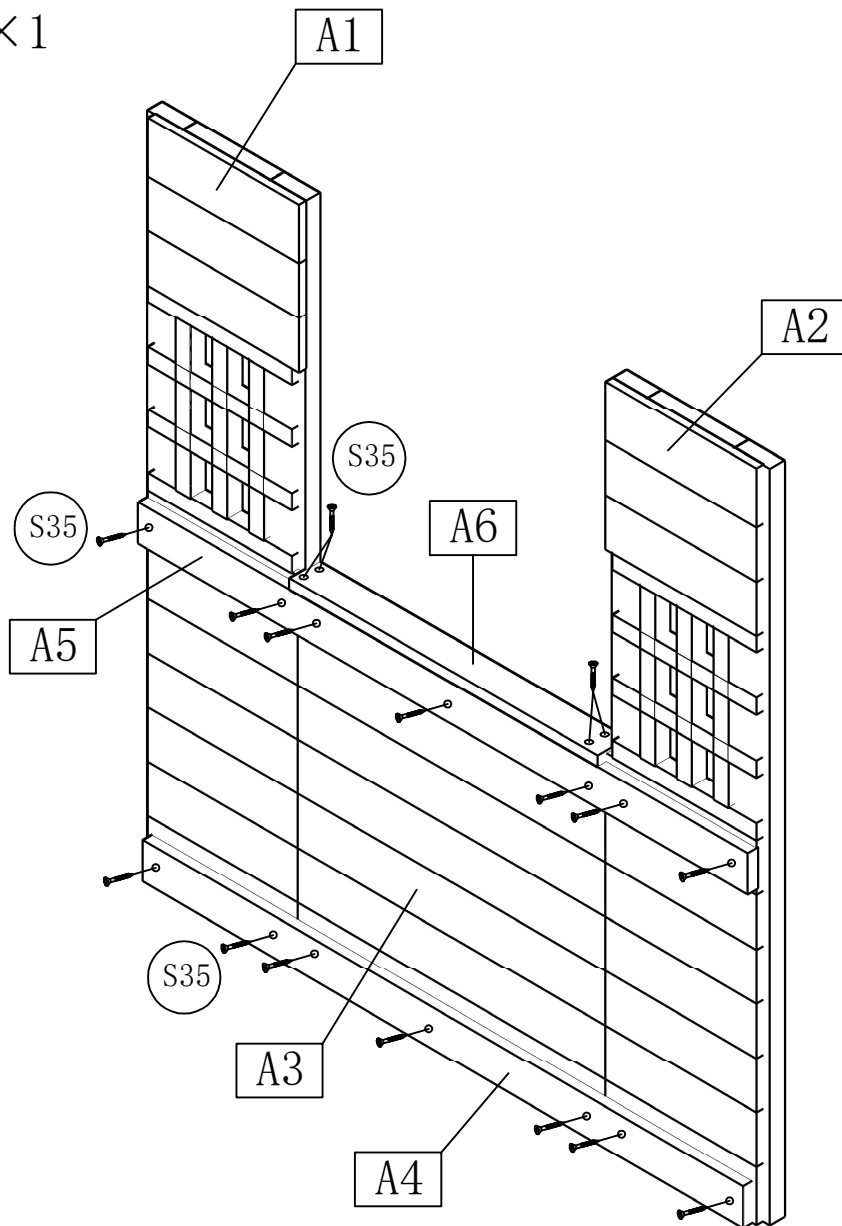
A2 × 1

A3 × 1

A4 × 1

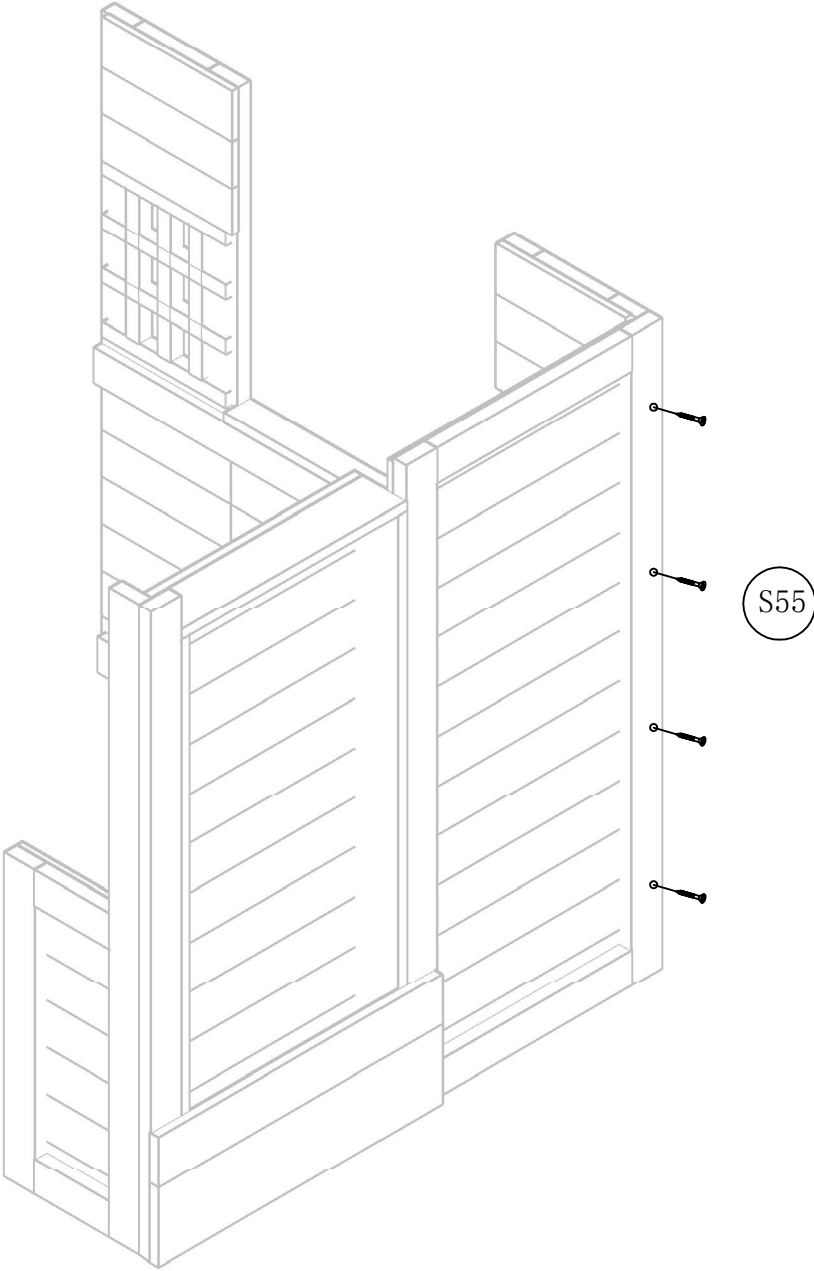
A5 × 1

A6 × 1



STEP 6

Ⓢ55 × 4



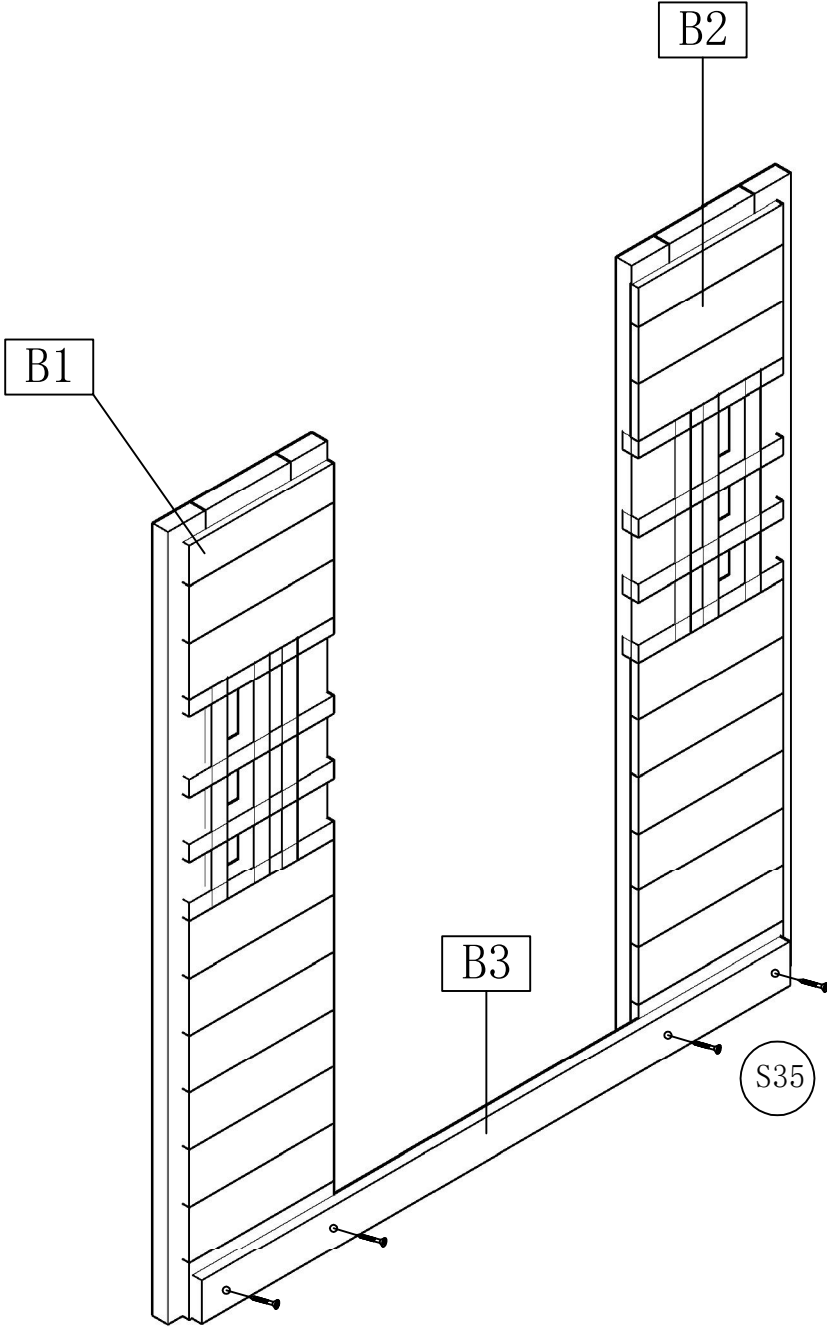
STEP 7

B1 × 1

S35 × 4

B2 × 1

B3 × 1



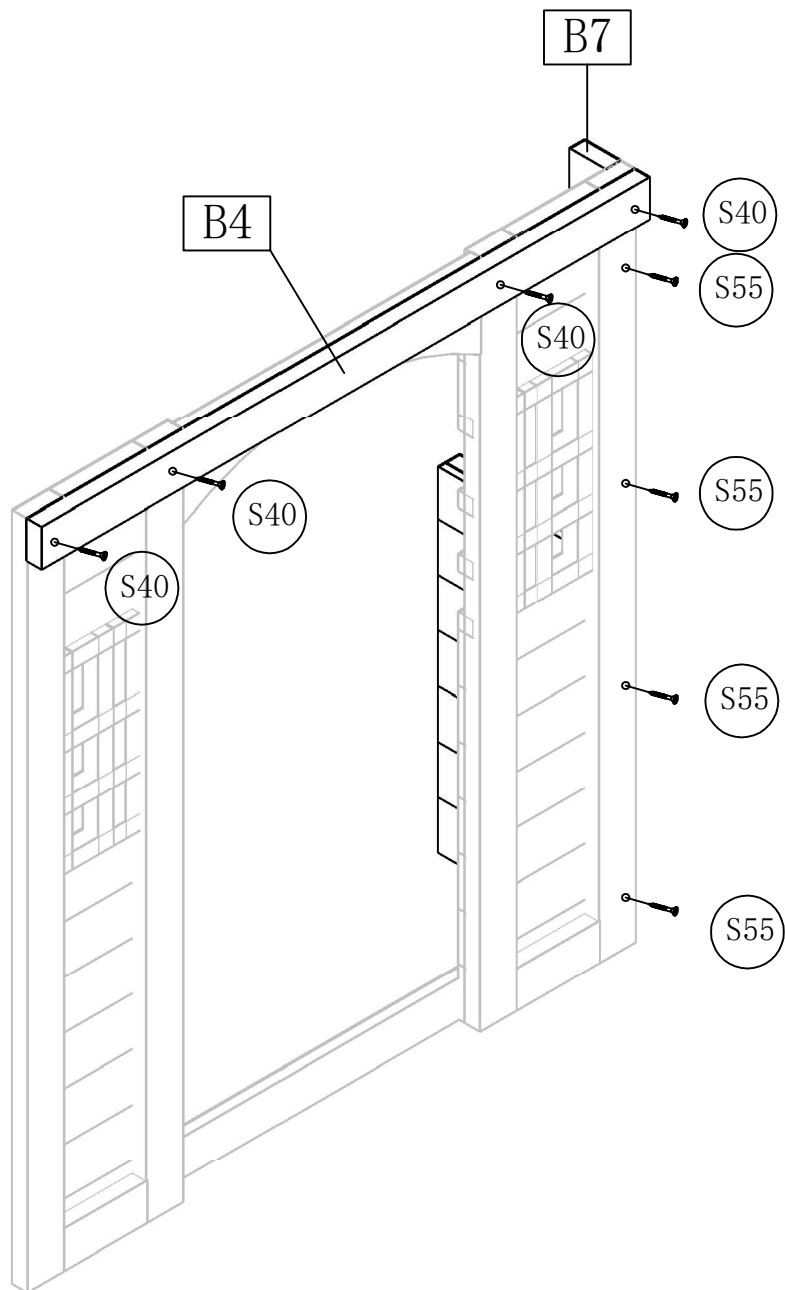
STEP 8

B4 × 1

S40 × 4

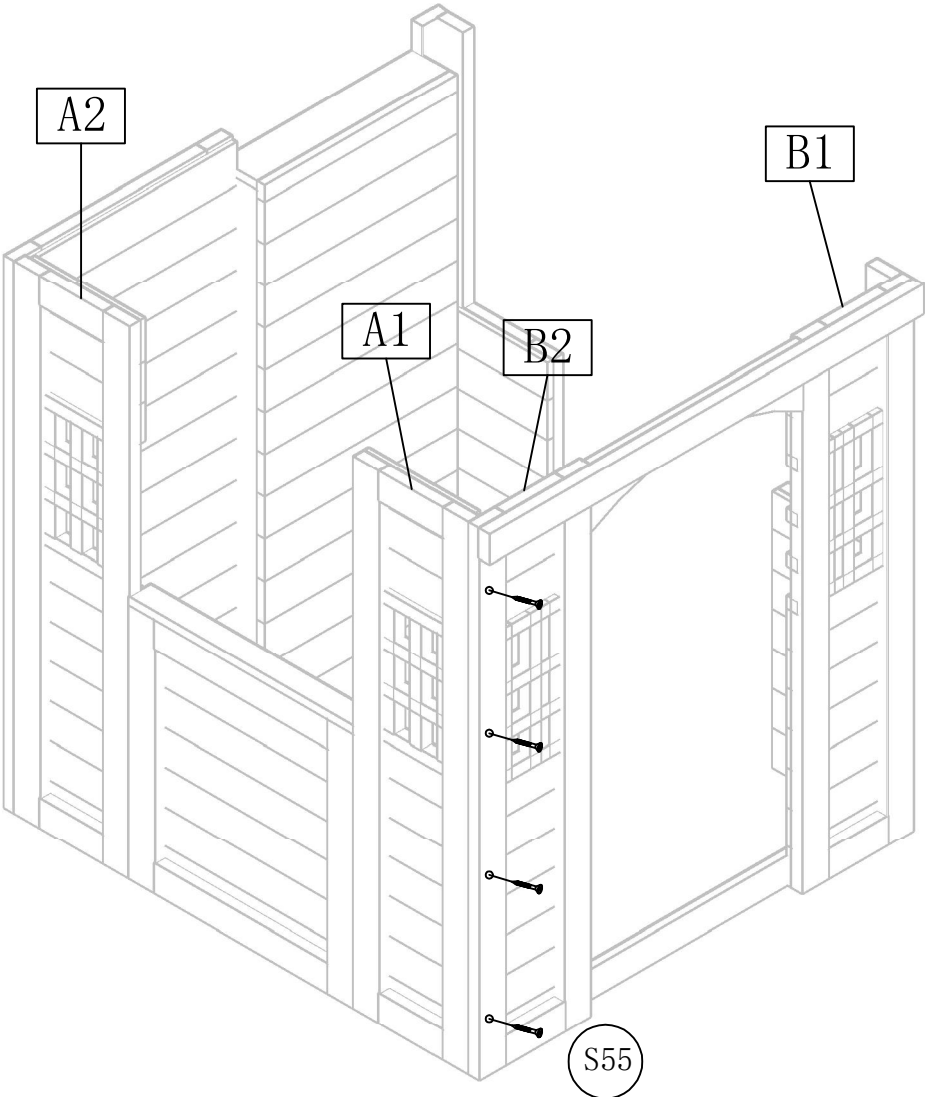
B7 × 1

S55 × 4



STEP 9

(S55) × 4



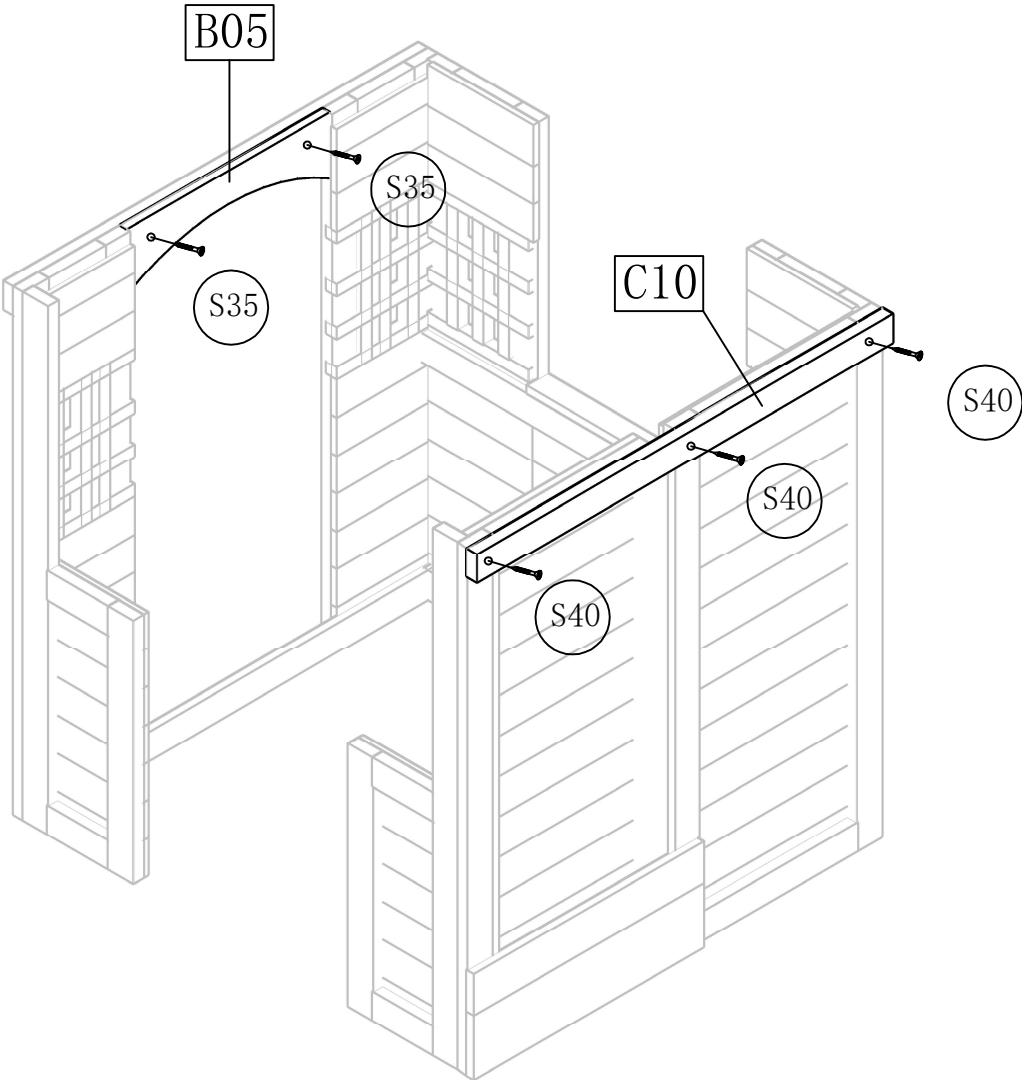
STEP 10

C10 × 1

S40 × 3

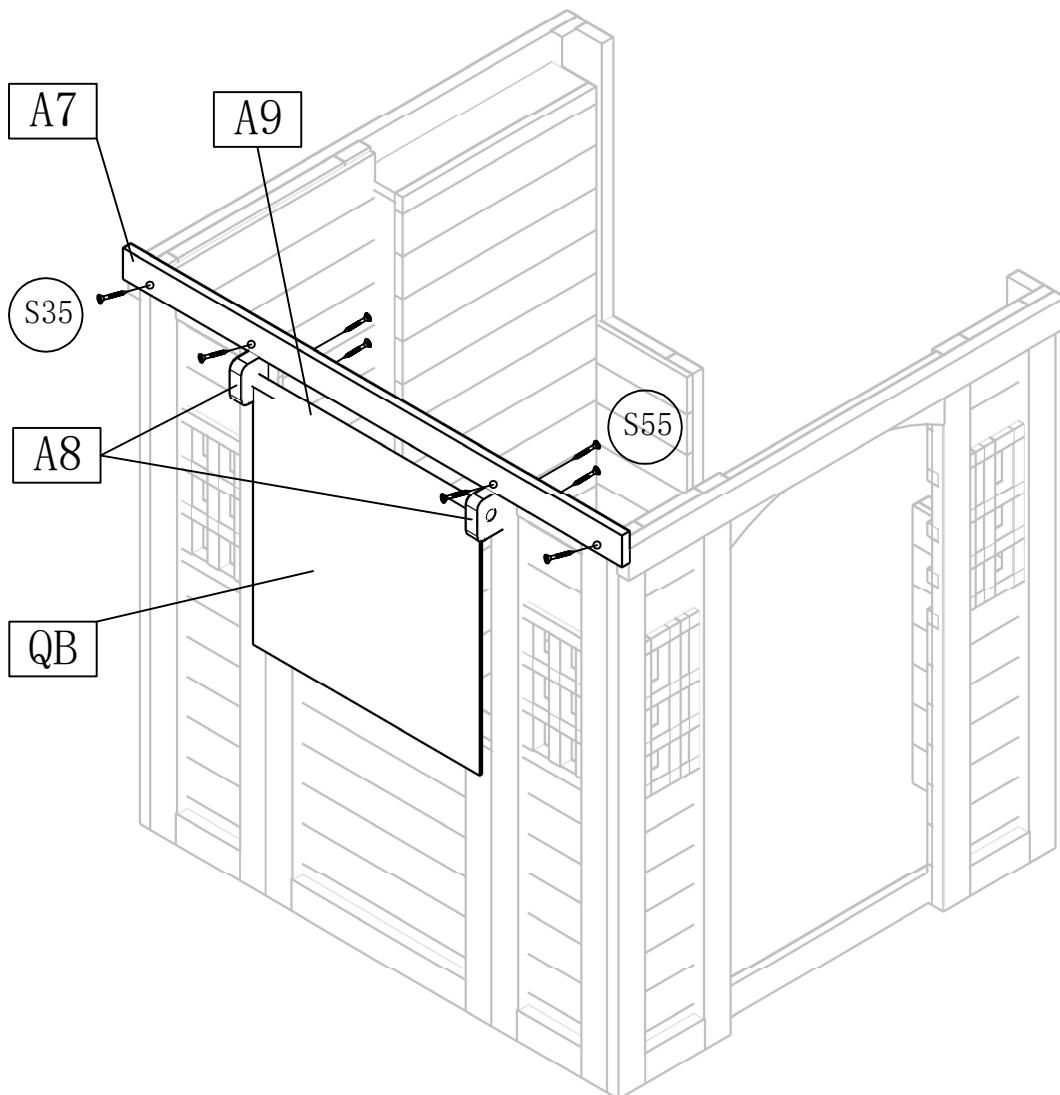
B05 × 1

S35 × 2



STEP 11

- | | |
|--|---|
| A7 × 1 | S35 × 4 |
| A8 × 2 | S55 × 4 |
| QB × 1 | |
| A9 × 1 | |

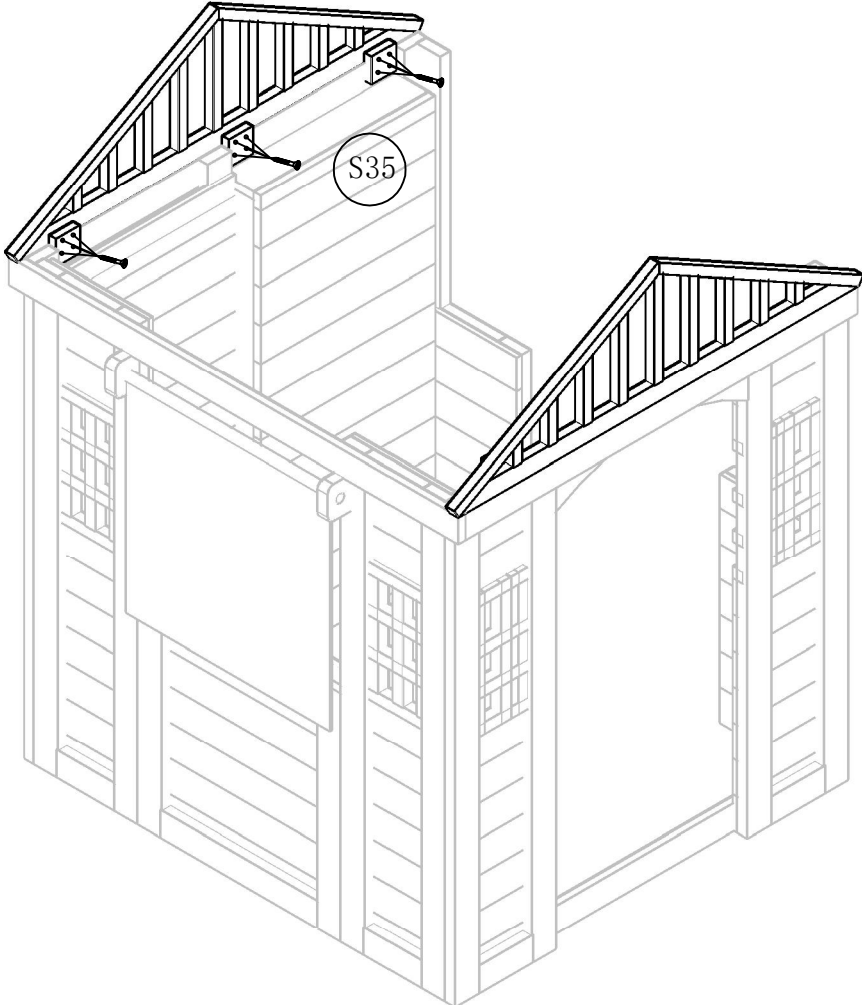


Cloth QB is directly put on stick A9.

STEP 12

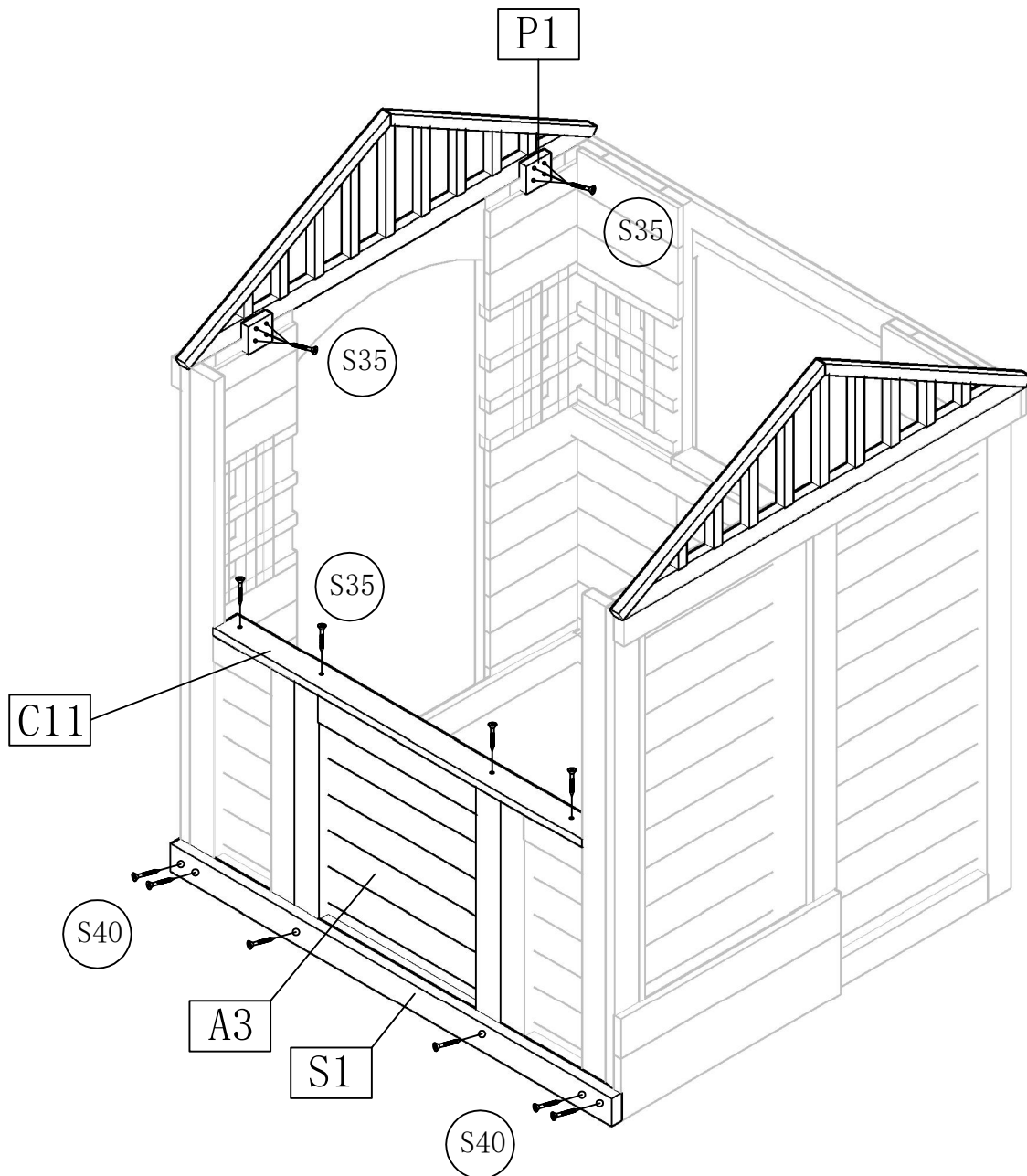
P1 × 3

S35 × 12



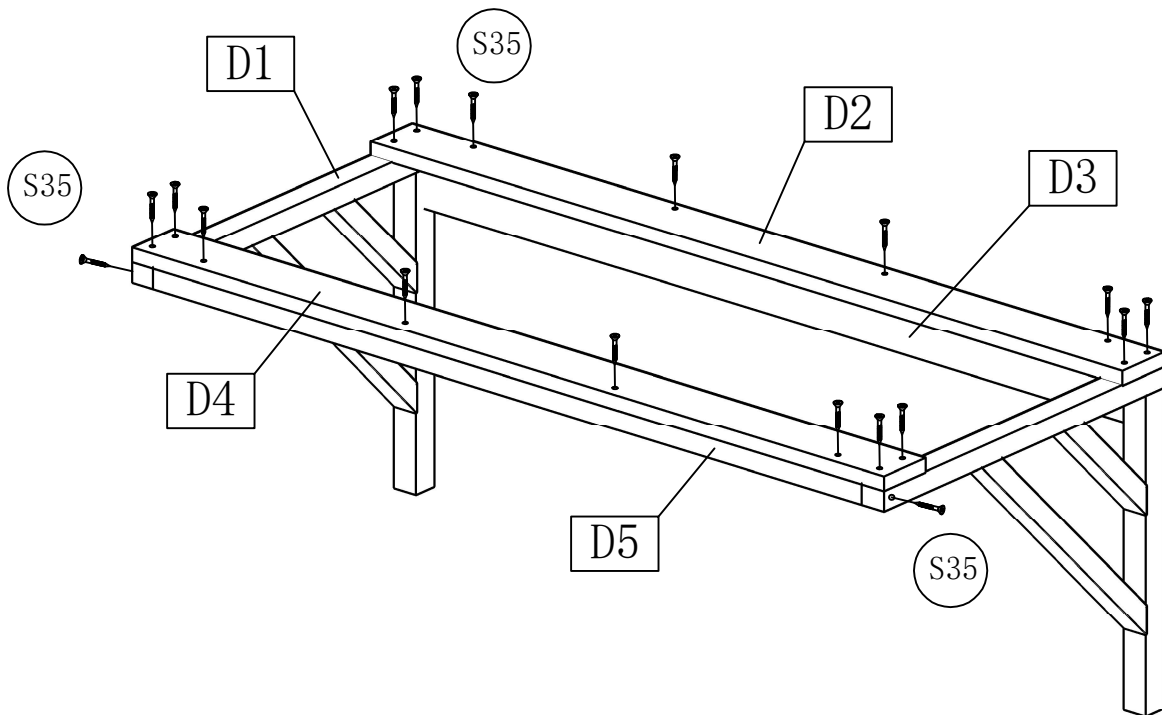
STEP 13

- P1 × 2 S35 × 12
- S1 × 1 S40 × 6
- A3 × 1
- C11 × 1



STEP 14

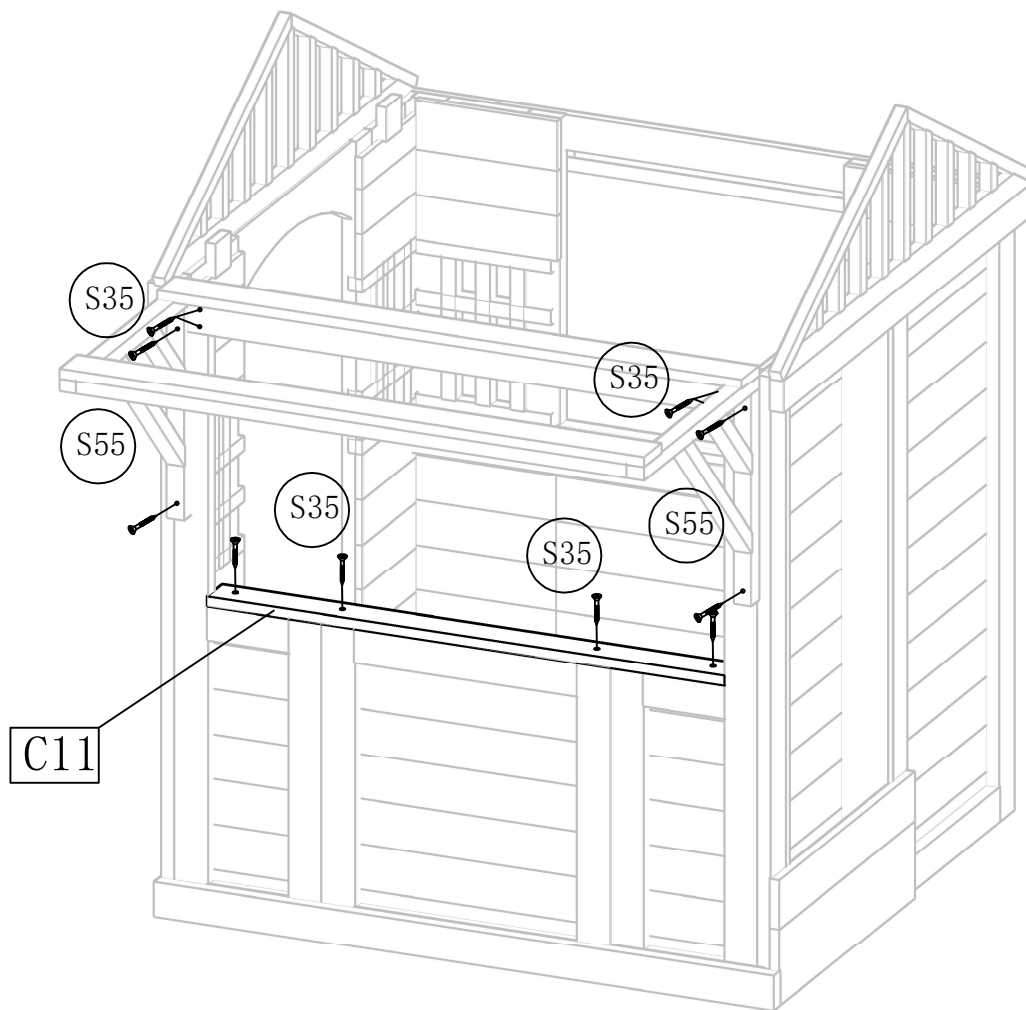
- D1 × 2 S35 × 18
- D2 × 1
- D3 × 1
- D4 × 1
- D5 × 1



STEP 15

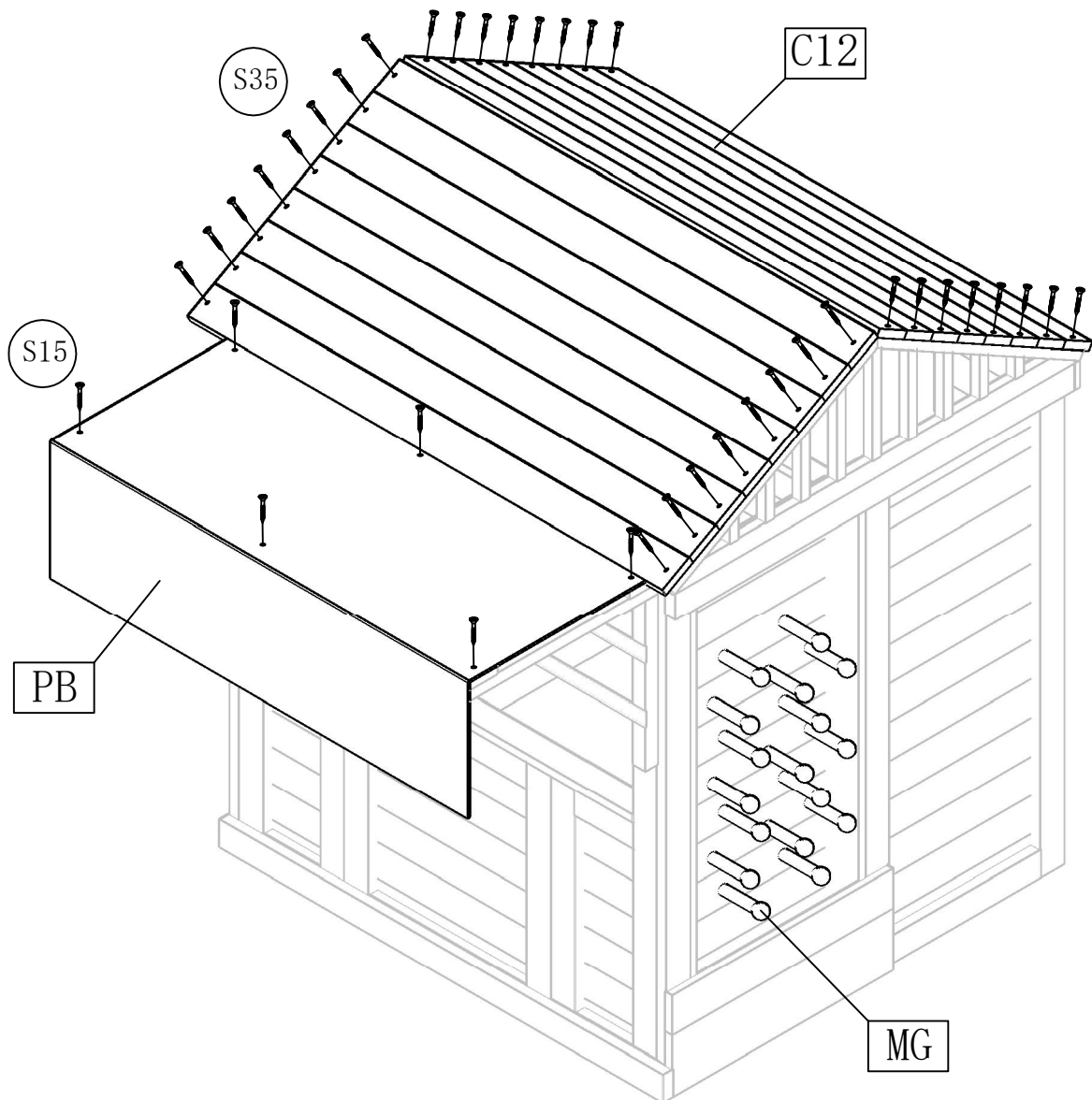
○S55 × 4 □C11 × 1

○S35 × 8



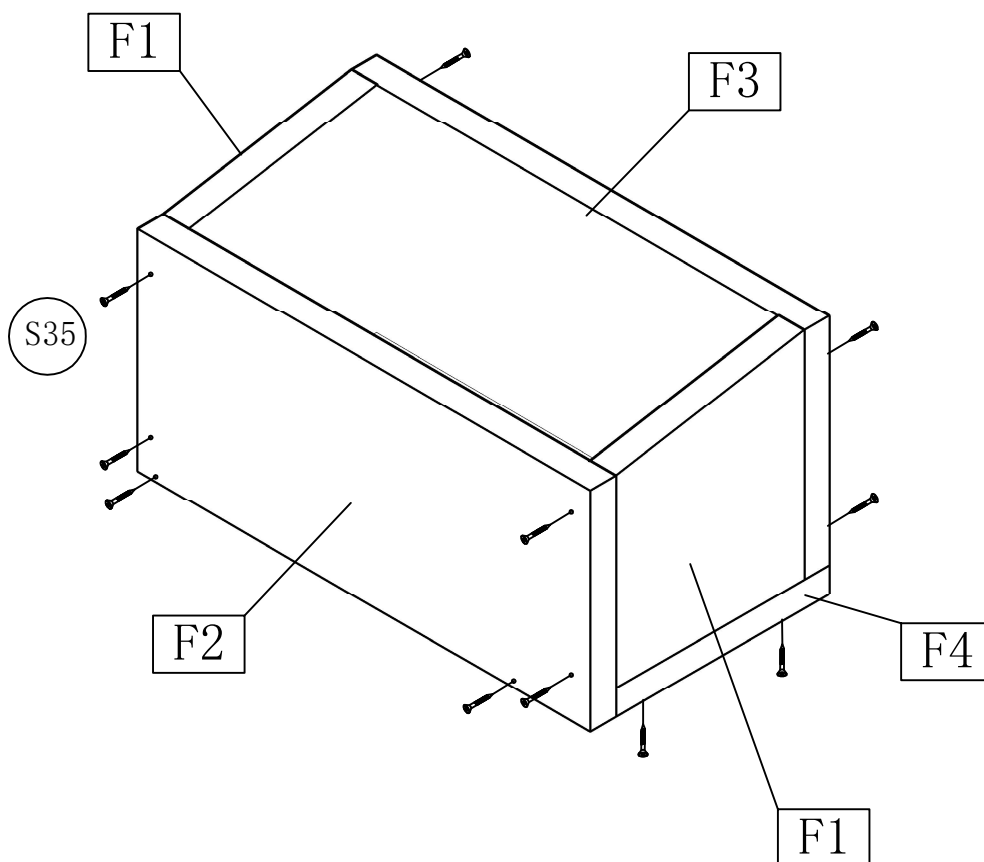
STEP 16

- | | |
|--|--|
| PB × 1 | S35 × 32 |
| MG × 17 | S15 × 6 |
| C12 × 16 | |



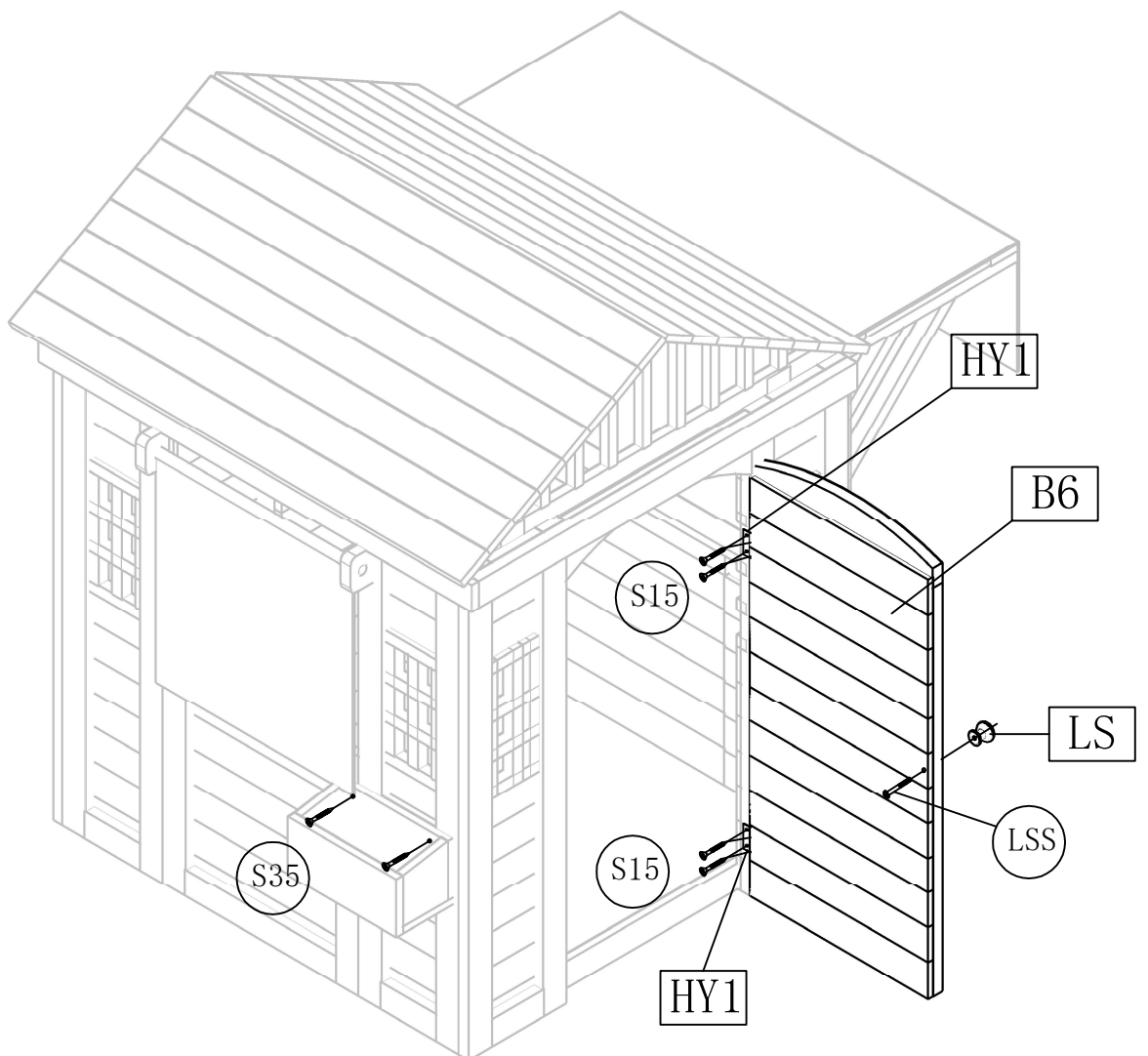
STEP 17

- F1 × 2 S35 × 16
- F2 × 1
- F3 × 1
- F4 × 1



STEP 18

- | | |
|---|---|
| B6 × 1 | S35 × 2 |
| LS × 1 | S15 × 8 |
| HY1 × 2 | LSS × 1 |



STEP 19

JG × 1

NK × 4

