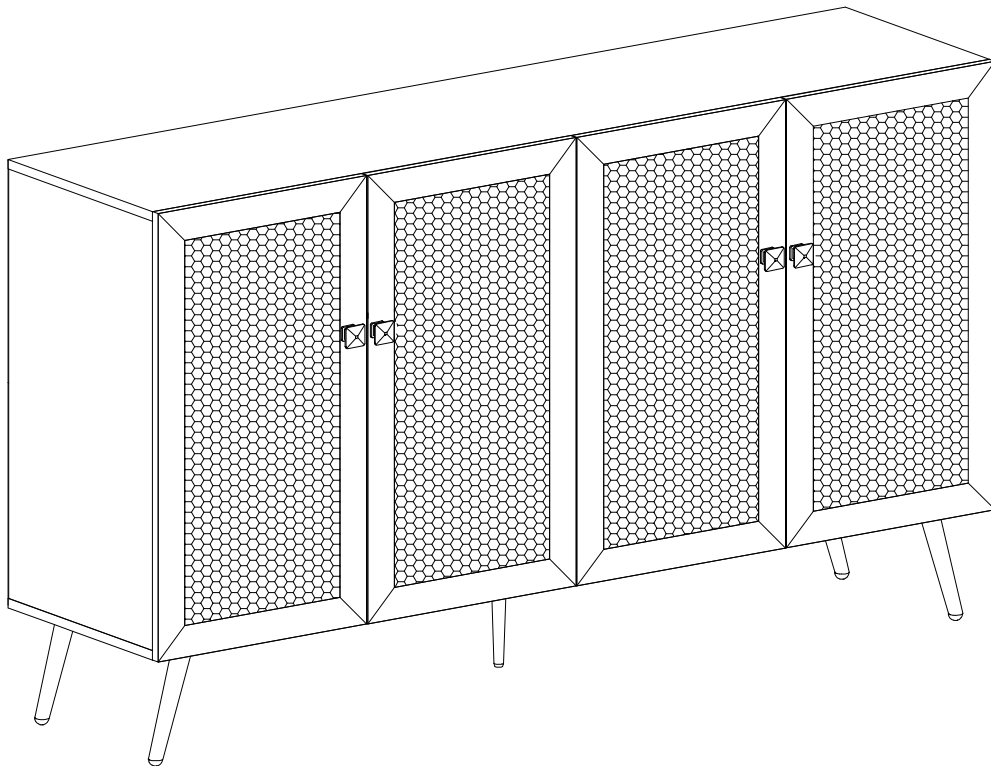


ASSEMBLY INSTRUCTION FOR ACME FURNITURE

MODEL#AC01939

Thank you for purchasing the quality product. Be sure to check all packing material carefully for small parts which may have come loose inside the carton during shipment. Separate, identify and count all parts and metal hardware. Compare with all parts list to be sure all parts are present. If any part(s) are missing or damaged, please contact your local furniture dealer. For efficient and speedy service, please indicate the model number and code letter of part(s) needed.

*****Do not fully tighten screws until fully assembled*****

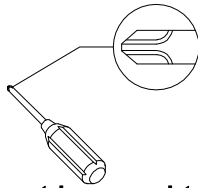


Attention:

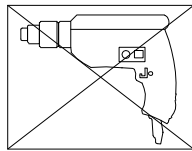
*****Some number parts listed on the instruction sheet may not be in parts bag as they may already be assembled. Carefully check parts and packing materials prior to ordering replacements.**

General Assembly Guidelines

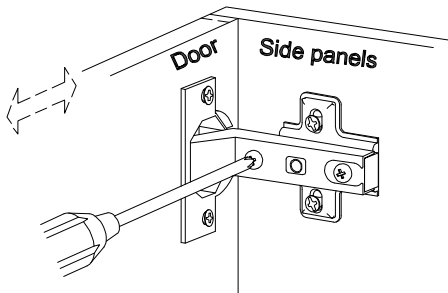
- I. Ensure that all parts and hardware are available before beginning assembly.
- II. Follow each step carefully to ensure the proper assembly of this product.
- III. Two people are recommended for ease in the assembly of this product.
- IV. The three main types of hardware used to assemble this product are: wood dowels, screws and bolts.
- V. A Phillips head screwdriver is required for the assembly of this product.



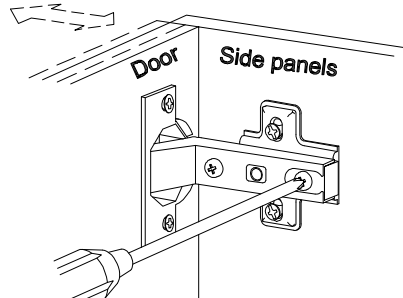
- VI. Power tools should not be used to assemble this product.



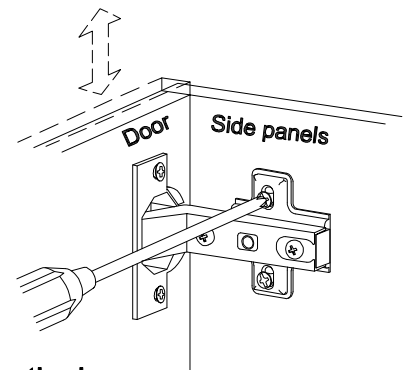
- VII. Concealed hinges are three-way adjustable.



Horizontal
by screw adjustment

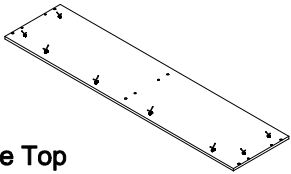
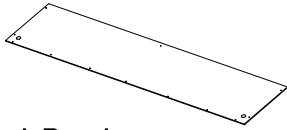
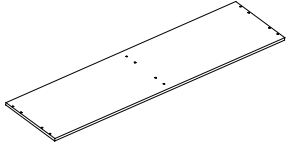

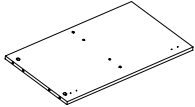

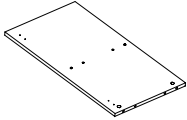
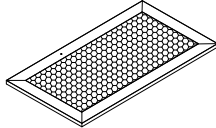

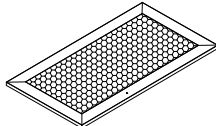
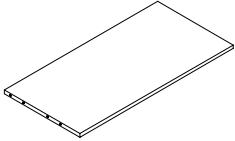
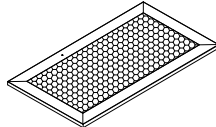
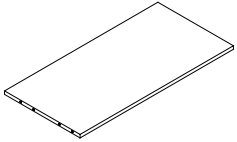
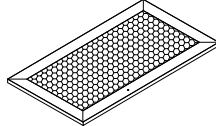
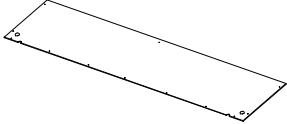


In-and-Out
by loosening the hinge-arm
mounting screw or via cam
adjustment


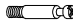



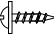


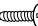








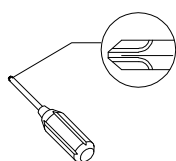
Vertical
Via slots in the mounting
plate or via cam adjustment

COMPONENT PARTS

DESCRIPTION	PART NAME	QTY(PCS)	DESCRIPTION	PART NAME	QTY(PCS)
①	Table Top 	1	⑨	Back Panel 	1
②	Table Bottom 	1	⑩	Metal Legs 	4
③	Left Side Panel 	1	⑪	Metal Legs 	1
④	Right Side Panel 	1	⑫	Door 	1
⑤	Middle Side Panel 	1	⑬	Door 	1
⑥	Shelf 	1	⑭	Door 	1
⑦	Shelf 	1	⑮	Door 	1
⑧	Back Panel 	1			

Hardware List

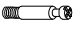
A		Ø8x30mm	Wooden dowel	20 pcs
B		Ø6x35mm	Cam bolt	14 pcs
C		Ø15x12mm	Cam lock	14 pcs
D		Ø6x50mm	Screw	6 pcs
E		4mm	Allen Key	1 pcs
F		Ø3.5x12mm	Screw	24 pcs
G		Ø3.5x14mm	Screw	32 pcs
H		Ø4x22mm	Screw	4 pcs
J		Ø4x14mm	Screw	20 pcs
K			Hinge	4 pcs
L			Hinge	4 pcs
M			Handle	4 pcs
N			Led strip light	1 pcs
O			Anti-collision Colloidal particles	8 pcs
P				2 pcs

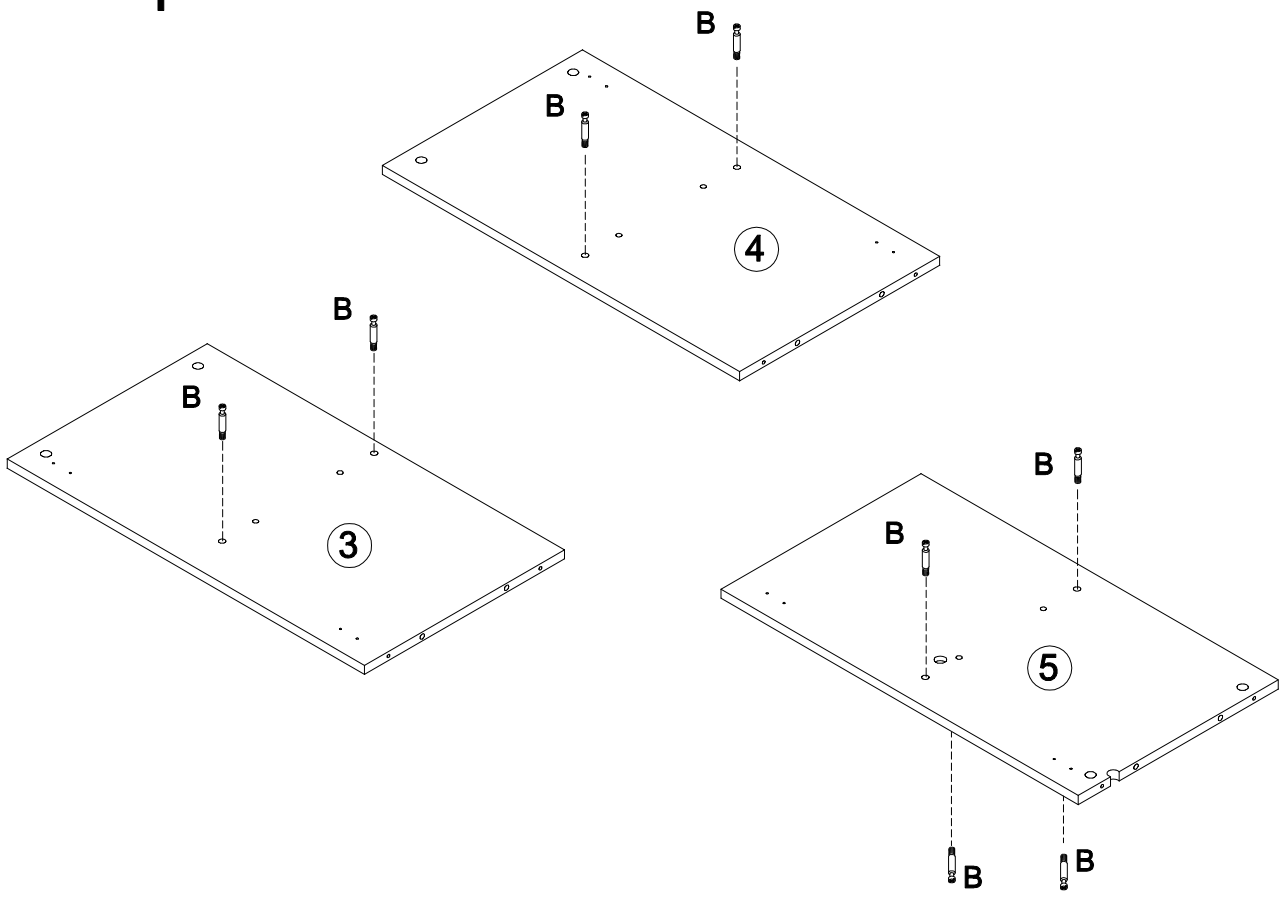


Philips head screwdriver required for assembly
(not included)



*The hardware quantities listed above are required for proper assembly.
Some extra hardware may also have been included.*

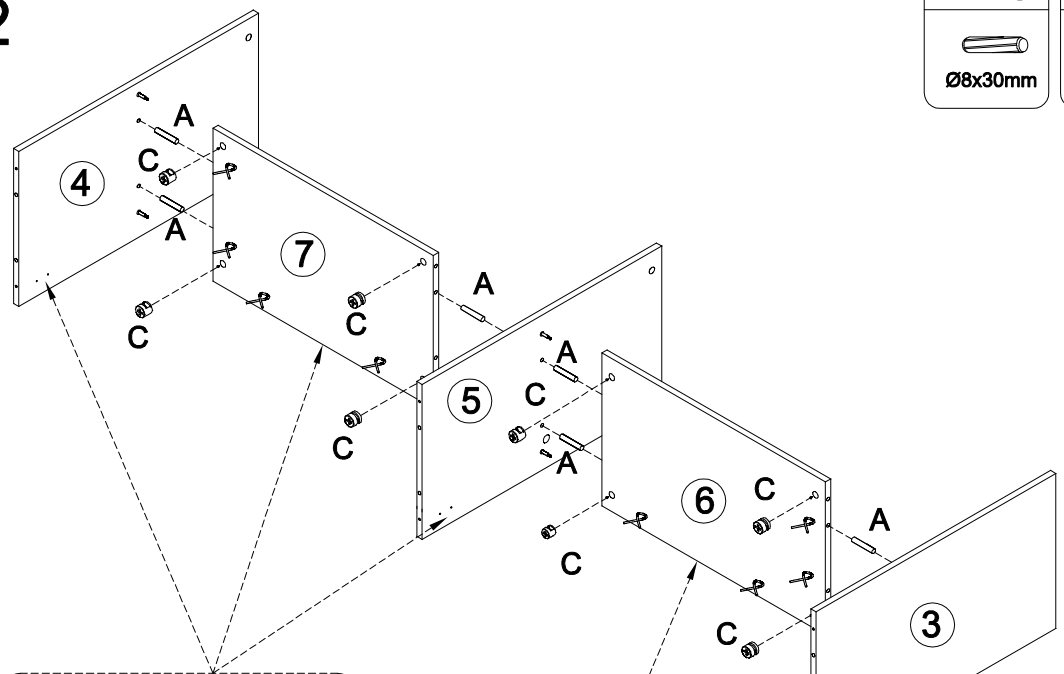
Step 1


B x 8

Ø6x35mm




Step 2

A x 8 **C x 8**
 
Ø8x30mm Ø15x12mm



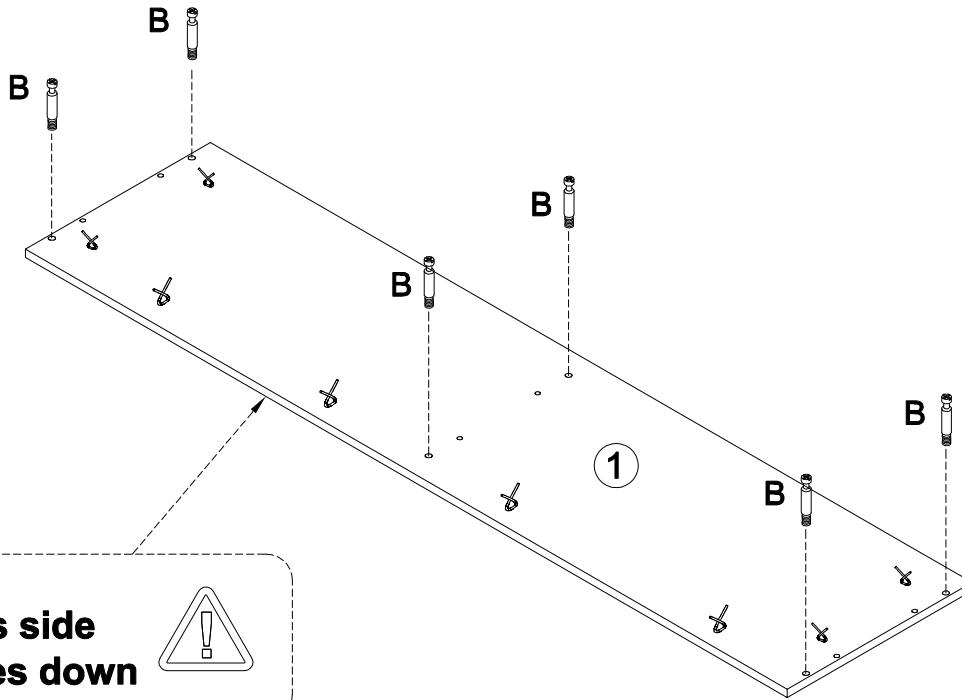
The Edge sealing place and Drilling holes are on the same side 

The Edge sealing place and Drilling holes are on the same side 

Step 3

B x 6


Ø6x35mm



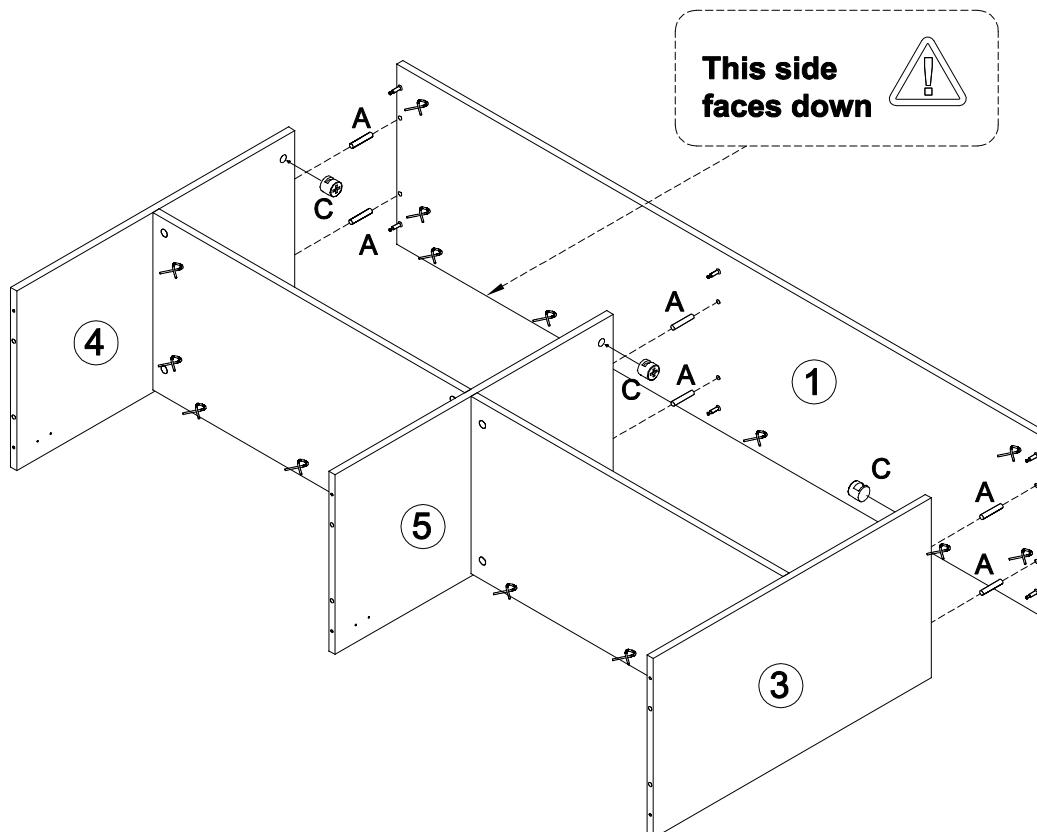
Step 4

A x 6





Ø8x30mm

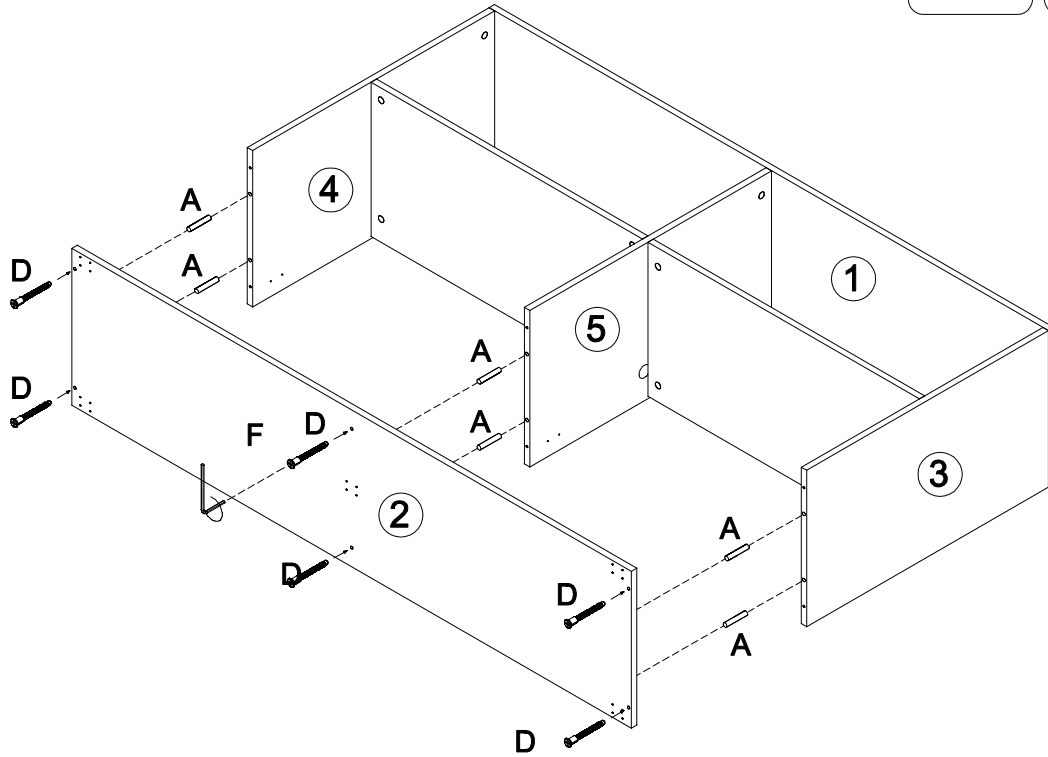
C x 6


Ø15x12mm




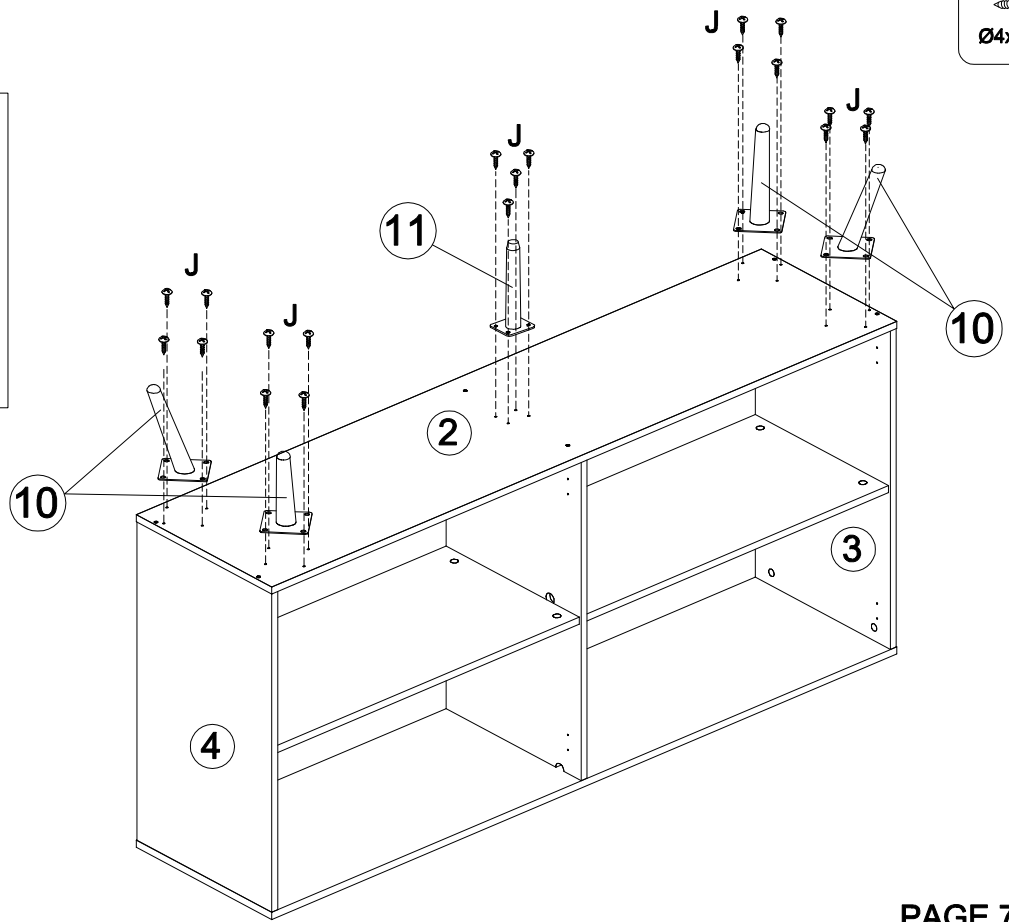
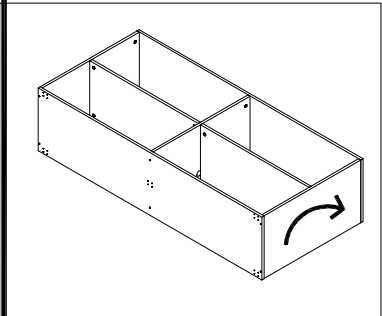
Step 5

A x 6  Ø8x30mm	D x 6  Ø6x50mm	E x 1  4mm
--	--	--



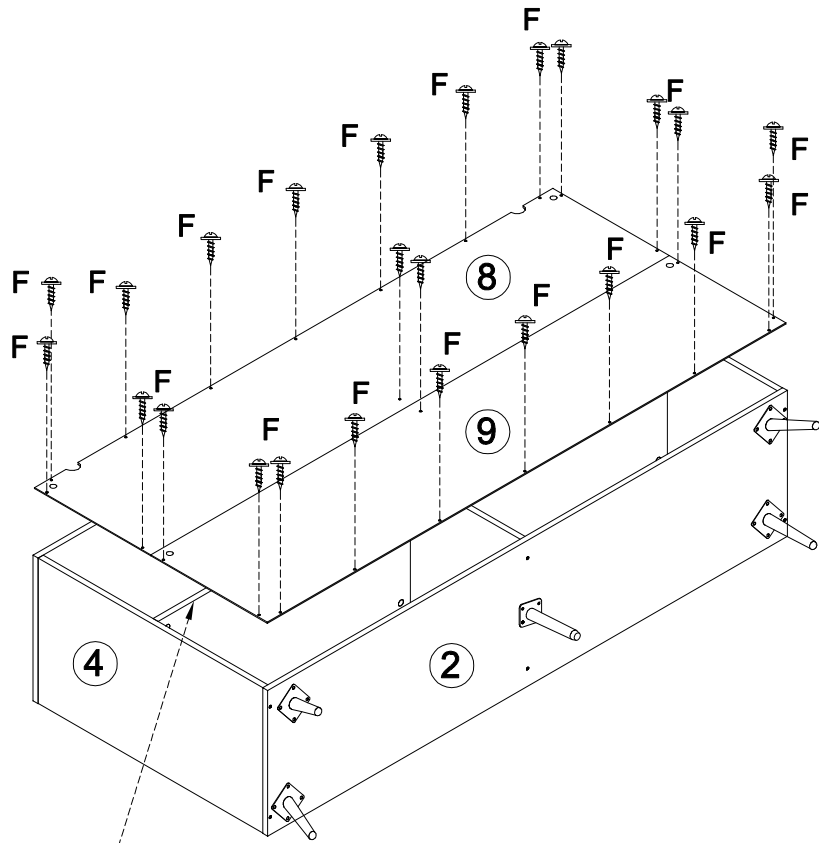
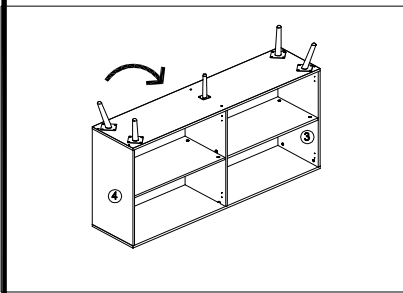
Step 6

J x 20  Ø4x14mm



Step 7

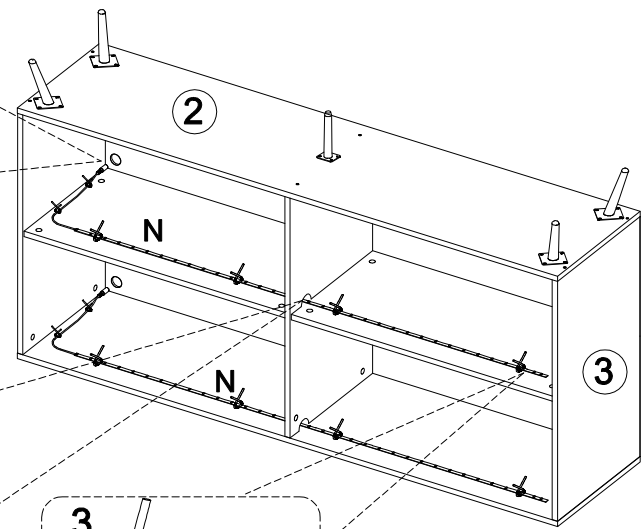
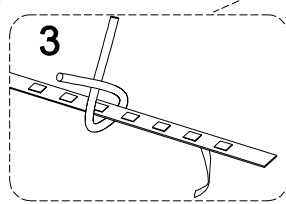
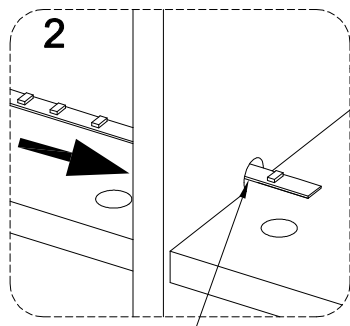
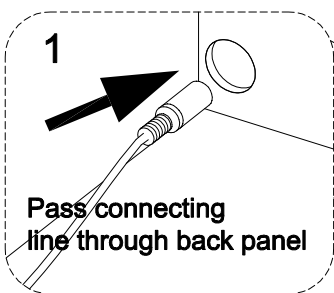
F x 24
Ø3.5x12mm



This surface plate has no edge sealing

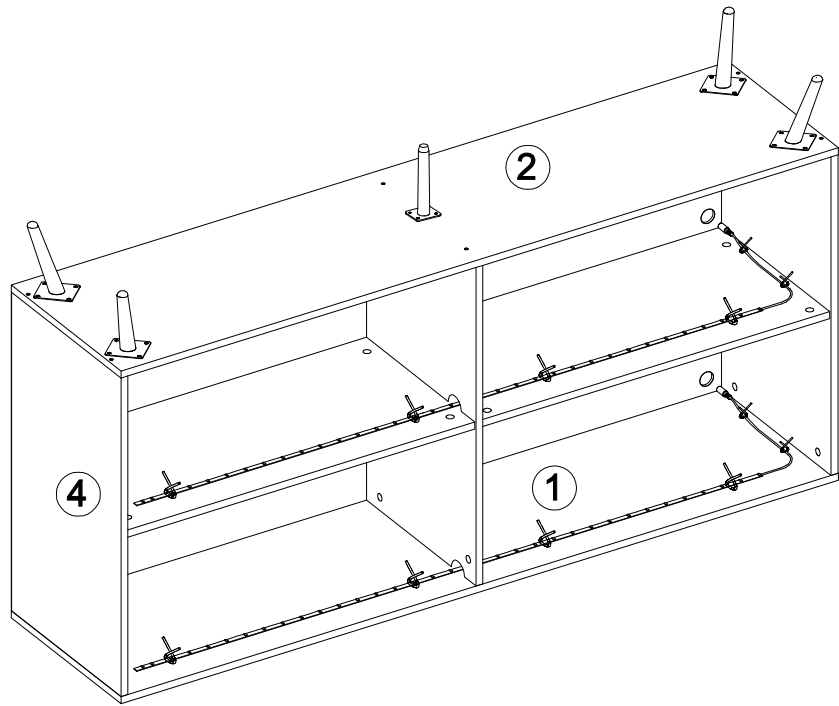
Step 8

N x 1

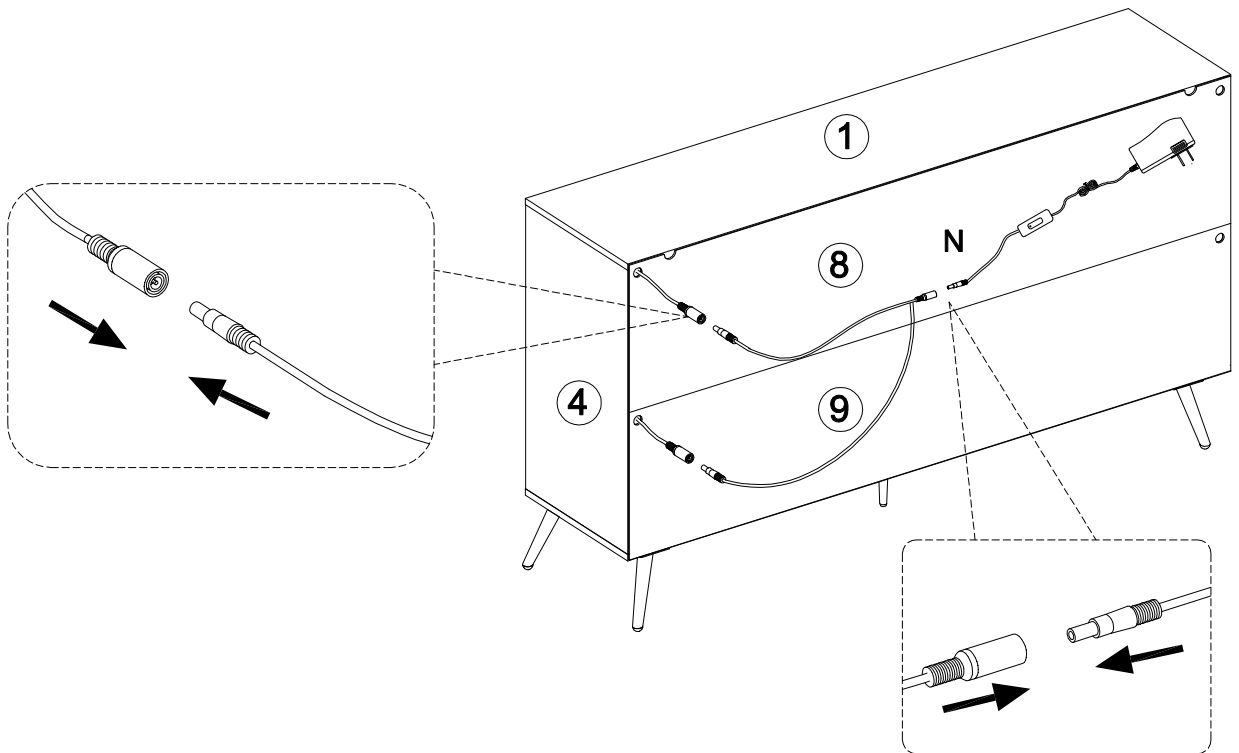
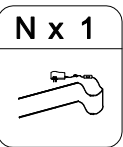


Step 9

or

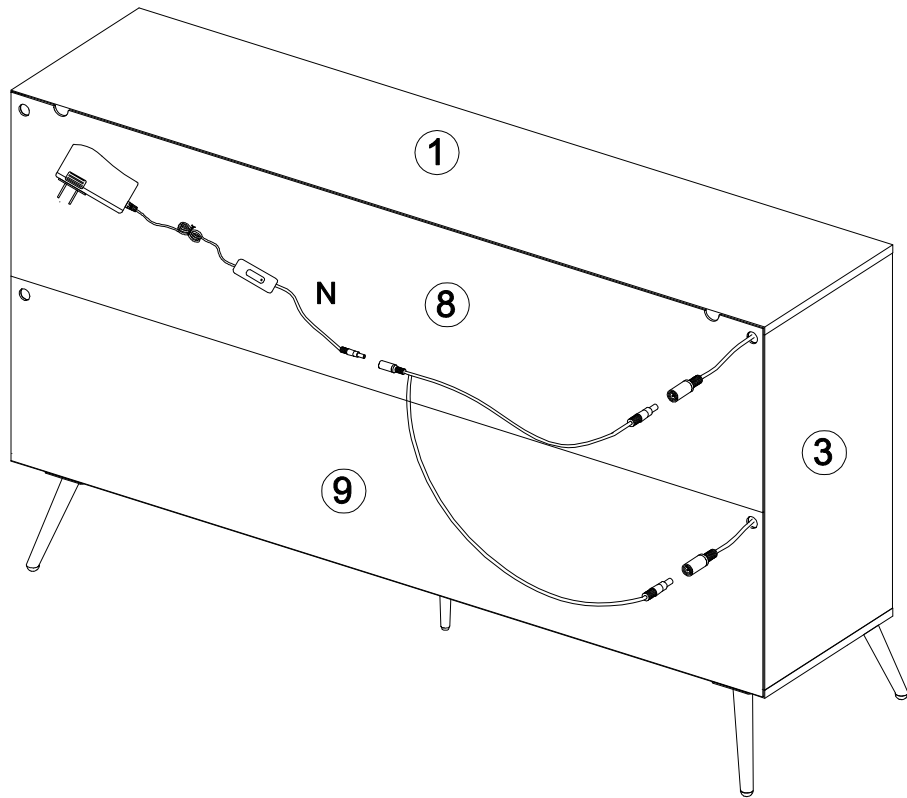


Step 10








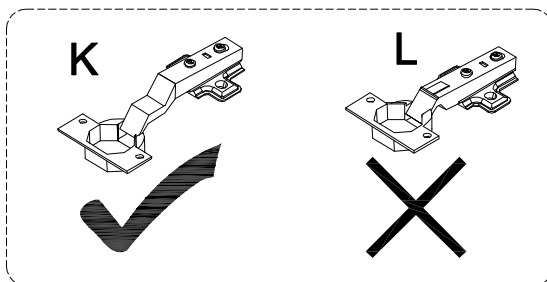
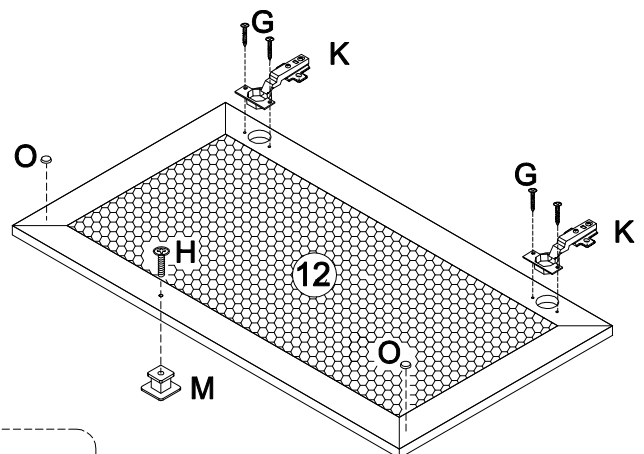
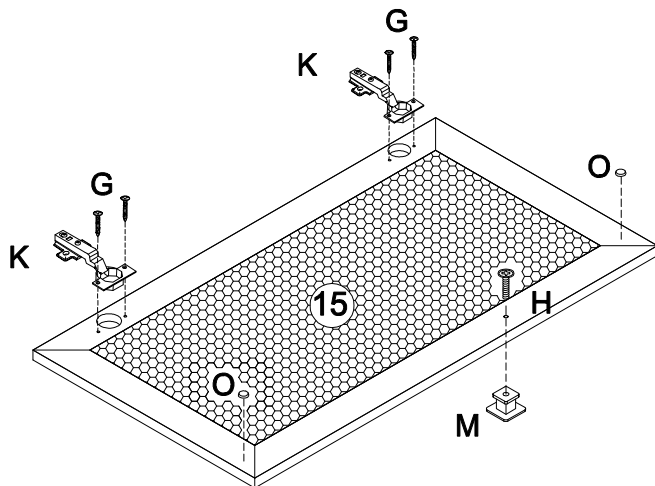
Step 11

or





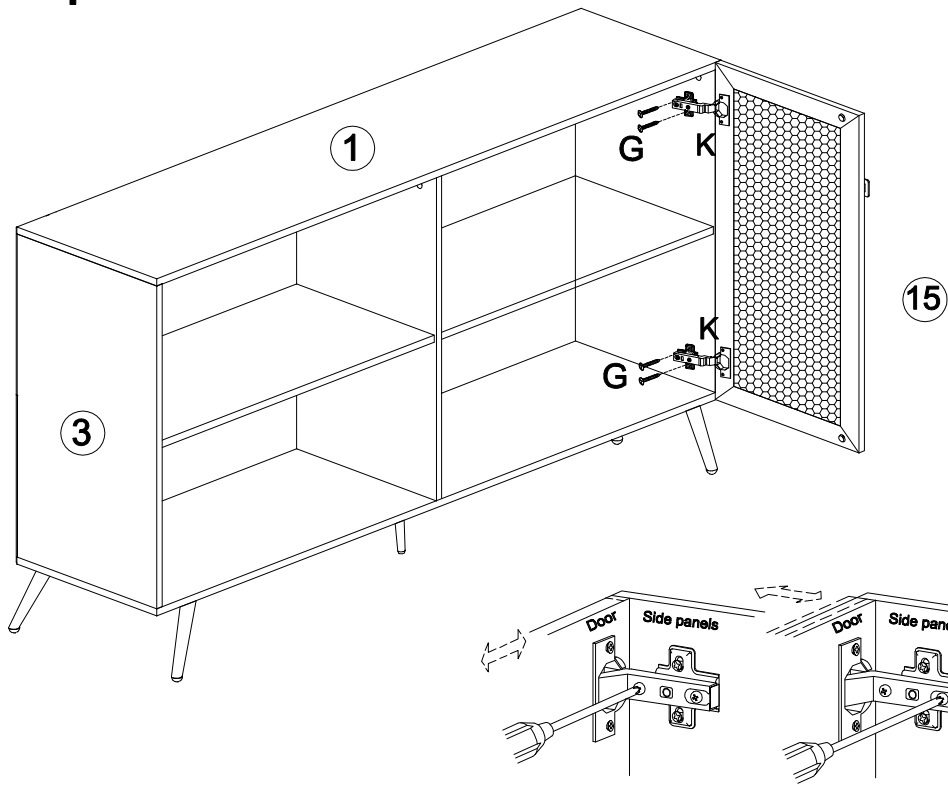
Step 12

H x 2	K x 4	G x 8	M x 2	O x 4
				
Ø4x22mm		Ø3.5x14mm		





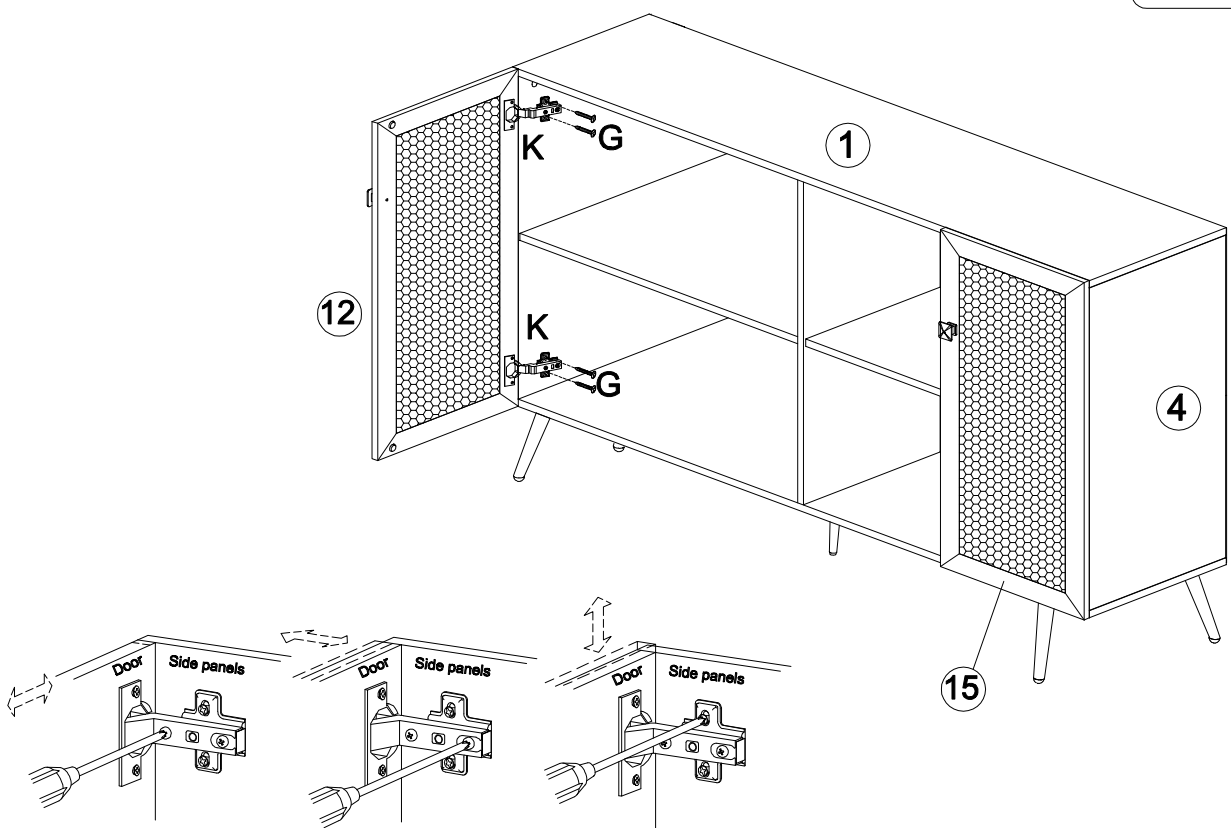
Step 13

K x 4 	G x 4  Ø3.5x14mm
---	--


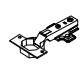





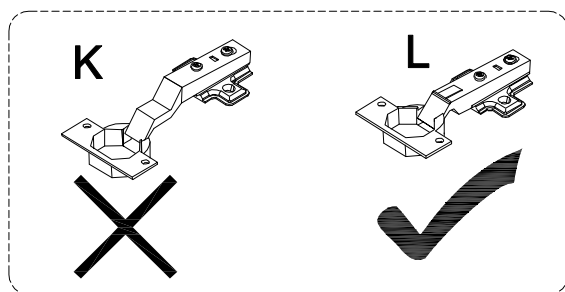
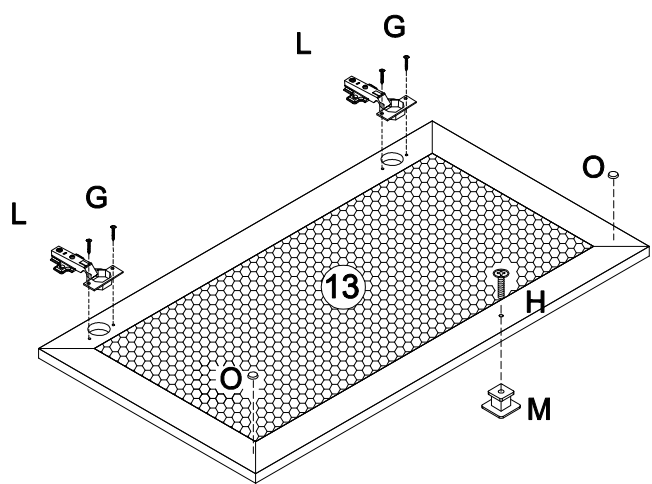
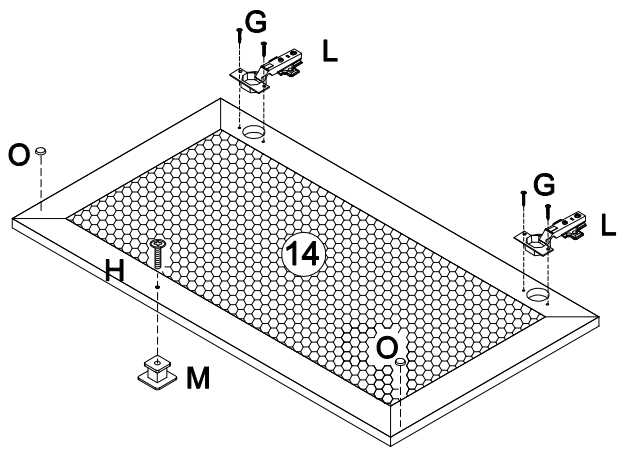
Step 14

K x 4 	G x 4  Ø3.5x14mm
---	--





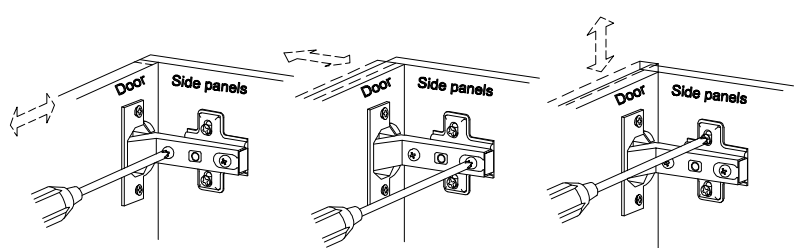
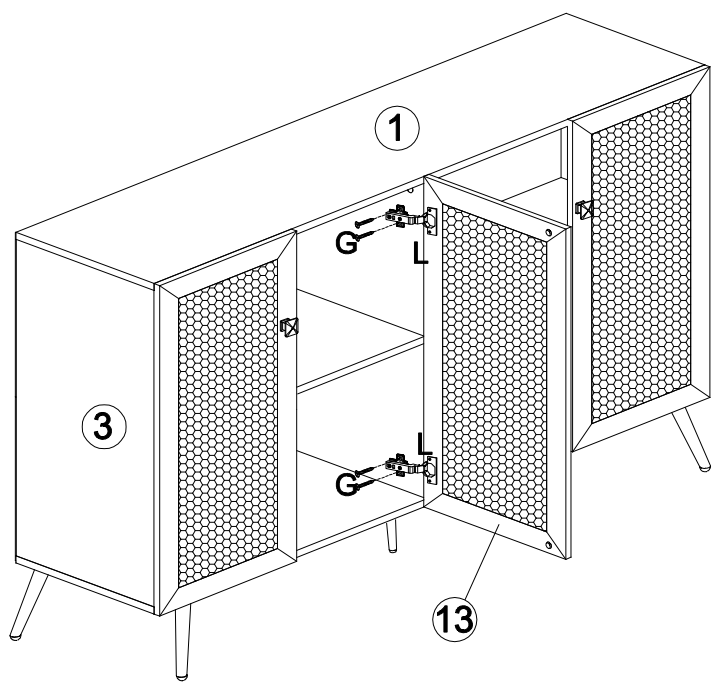
Step 15

H x 2  Ø4X22mm	L x 4 	G x 8  Ø3.5x14mm	M x 2 	O x 4 
---	--	---	--	--





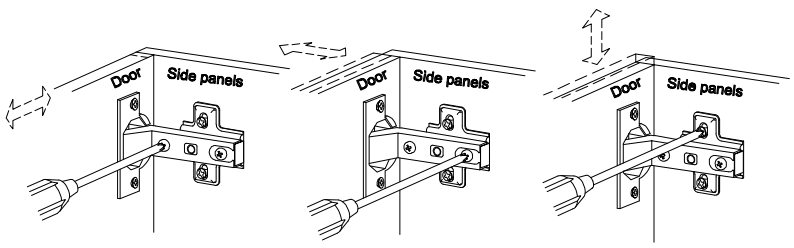
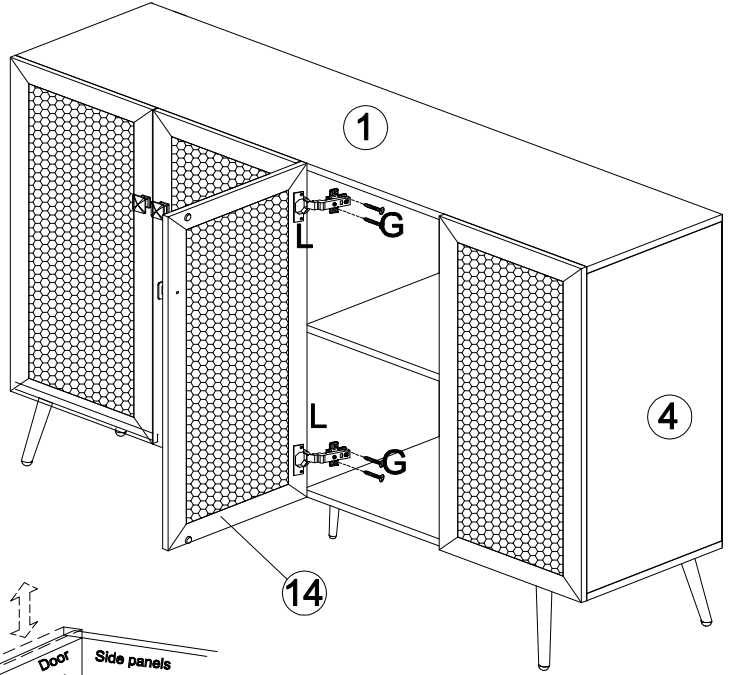
Step 16

L x 4 	G x 4  Ø3.5x14mm
--	---

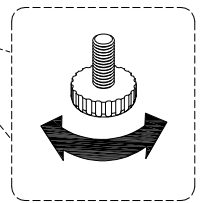
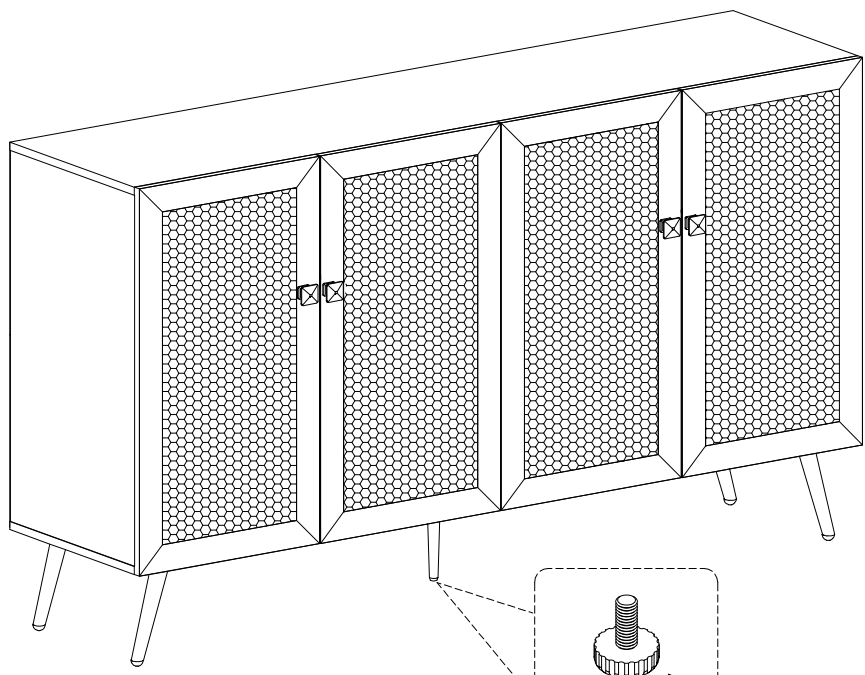


Step 17

L x 4	G x 4
	
	Ø3.5x14mm

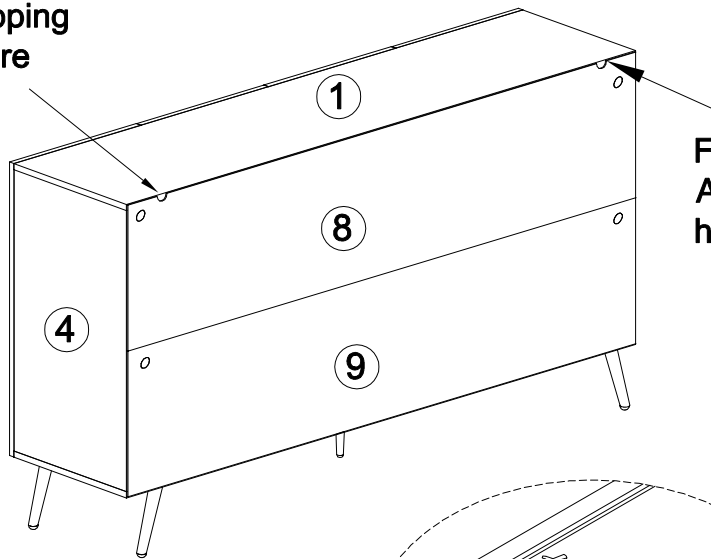


Step 18

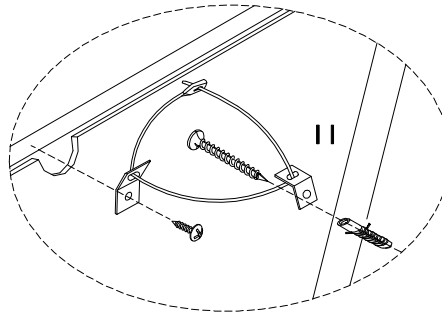


Step 19

For Assemble
Anti Tipping
hardware



For Assemble
Anti Tipping
hardware



WARNING



Children have died from furniture tipover. To reduce the risk of furniture tipover:

- ALWAYS install tipover restraint provided.
- NEVER put a TV on this product.
- NEVER allow children to stand, climb or hang on drawers, doors, or shelves.
- NEVER open more than one drawer at a time.
- Place heaviest items in the lowest drawers.