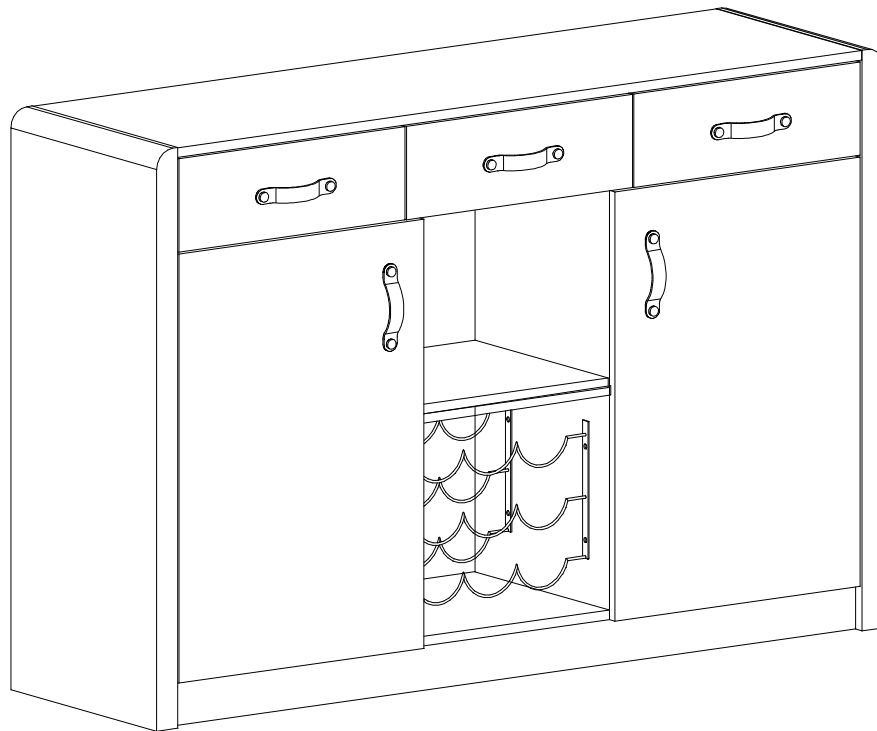


# ASSEMBLY INSTRUCTION FOR ACME FURNITURE

## MODEL#DN01612

Thank you for purchasing the quality product. Be sure to check all packing material carefully for small parts which may have come loose inside the carton during shipment. Separate, identify and count all parts and metal hardware. Compare with all parts list to be sure all parts are present. If any part(s) are missing or damaged, please contact your local furniture dealer. For efficient and speedy service, please indicate the model number and code letter of part(s) needed.

**\*\*\*Do not fully tighten screws until fully assembled\*\*\***

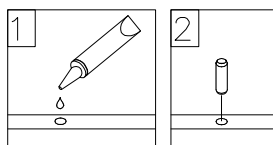


### Attention:

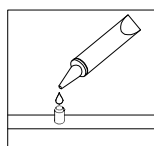
**\*\*\*Some number parts listed on the instruction sheet may not be in parts bag as they may already be assembled. Carefully check parts and packing materials prior to ordering replacements.**

# General Assembly Guidelines

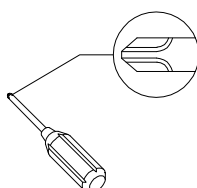
- I. Ensure that all parts and hardware are available before beginning assembly.
- II. Follow each step carefully to ensure the proper assembly of this product.
- III. Two people are recommended for ease in the assembly of this product.
- IV. The three main types of hardware used to assemble this product are: wood dowels, screws and bolts.
- V. The provided glue is to secure wood dowels in place. When first inserting dowels, locate the appropriate hole for the dowel, place a small amount of glue in the hole and insert the dowel. Wipe away excess glue immediately.



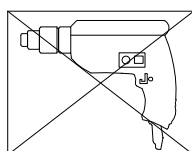
In future assembly steps when dowels are necessary to attach assembly parts together, place a small amount of glue on the end of the dowel before attaching parts together. Wipe away excess glue immediately.



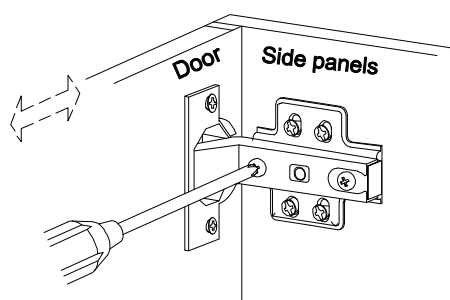
- VI. A Phillips head screwdriver is required for the assembly of this product.



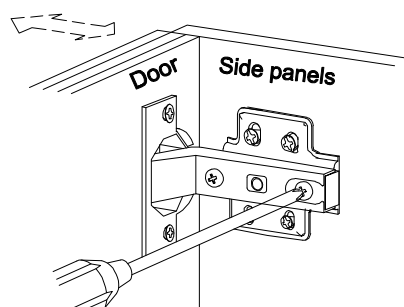
- VII. Power tools should not be used to assemble this product.



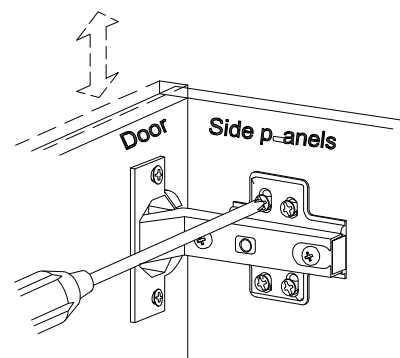
- VIII. Concealed hinges are three-way adjustable.



Horizontal  
by screw adjustment

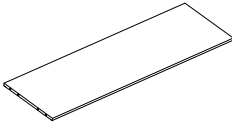
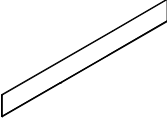
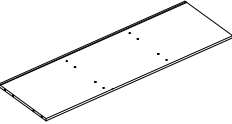
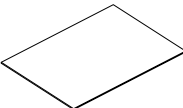
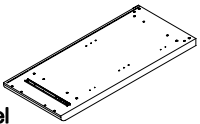
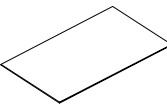
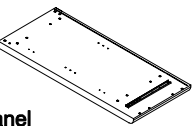
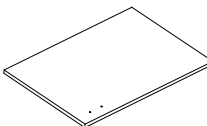
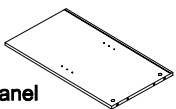
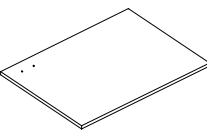
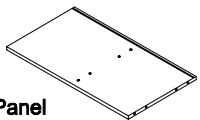
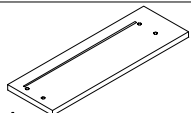
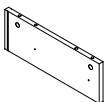
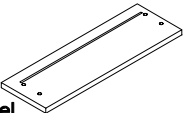
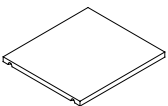
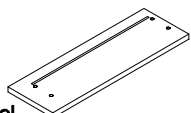
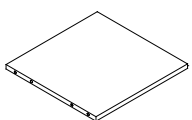
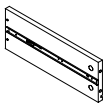
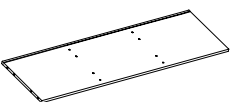
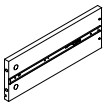
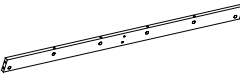
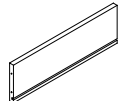
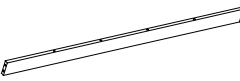
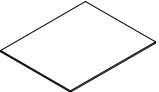
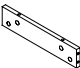
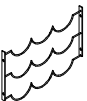


In-and-Out  
by loosening the hinge-arm  
mounting screw or via cam  
adjustment









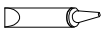











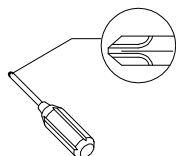
Vertical  
Via slots in the mounting  
plate or via cam adjustment

# COMPONENT PARTS

DESCRIPTION	PART NAME	QTY(PCS)	DESCRIPTION	PART NAME	QTY(PCS)
①	Table Top 	1	⑭	Back Panel 	1
②	Table Bottom 	1	⑮	Back Panel 	2
③	Left Side Panel 	1	⑯	Back Panel 	1
④	Right Side Panel 	1	⑰	Door 	1
⑤	Middle Side Panel 	1	⑱	Door 	1
⑥	Middle Side Panel 	1	⑲	Drawer Front Panel 	1
⑦	Middle Side Panel 	2	⑳	Drawer Front Panel 	1
⑧	Shelf 	2	㉑	Drawer Front Panel 	1
⑨	Shelf 	1	㉒	Drawer Side Panel(L) 	3
⑩	Shelf 	1	㉓	Drawer Side Panel(R) 	3
⑪	Bottom Rail 	1	㉔	Drawer Back Panel 	3
⑫	Bottom Rail 	1	㉕	Drawer Bottom Panel 	3
⑬	Support Panel 	1	㉖	Wine Rack 	2

# Hardware List


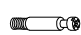

A		Ø8x30mm	Wooden dowel	38 pcs
B		Ø6x35mm	Cam bolt	52 pcs
C		Ø15x12mm	Cam lock	52 pcs
D			Sticker	20 pcs
E		Ø6x50mm	Screw	8 pcs
F			Hinge	4 pcs
G		4mm	Allen Key	1 pcs
H			Handle	5 pcs
I			Glue tube	1 pcs
J		Ø4x30mm	Screw	12 pcs
K		Ø3.5x14mm	Screw	32 pcs
L			Plastic wedge	18 pcs
M		Ø3x18mm	Screw	18 pcs
N		Ø8x5x16mm	Shelf support pin	8 pcs
O		Ø4x14mm	Screw	10 pcs
P		M6x12mm	Bolt	8 pcs
Q			Corner code	4 pcs
R				2 pcs

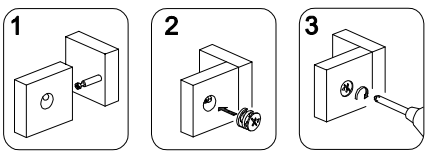
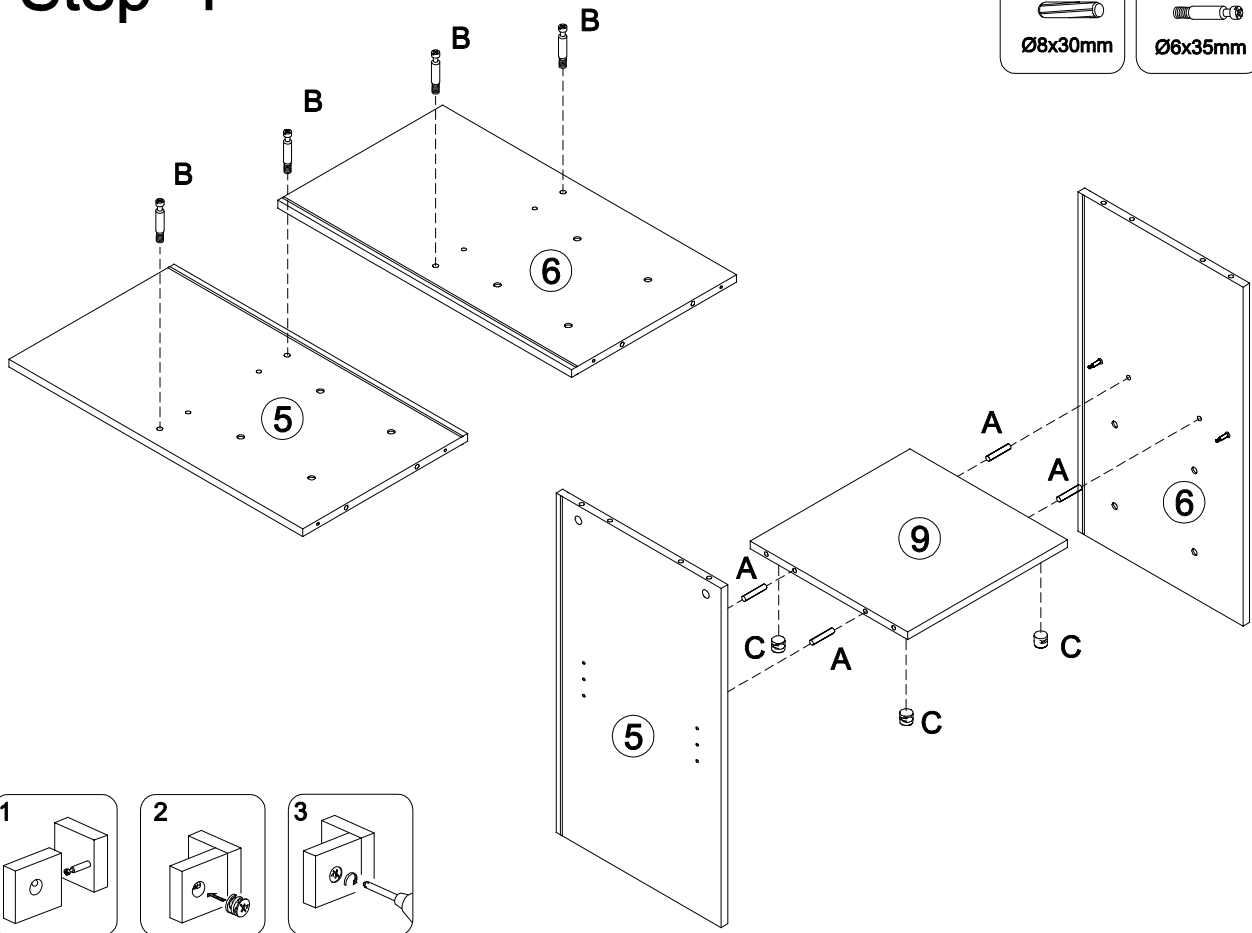


Philips head screwdriver required for assembly  
(not included)




*The hardware quantities listed above are required for proper assembly.  
Some extra hardware may also have been included.*

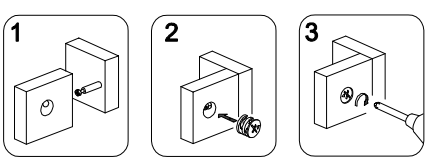
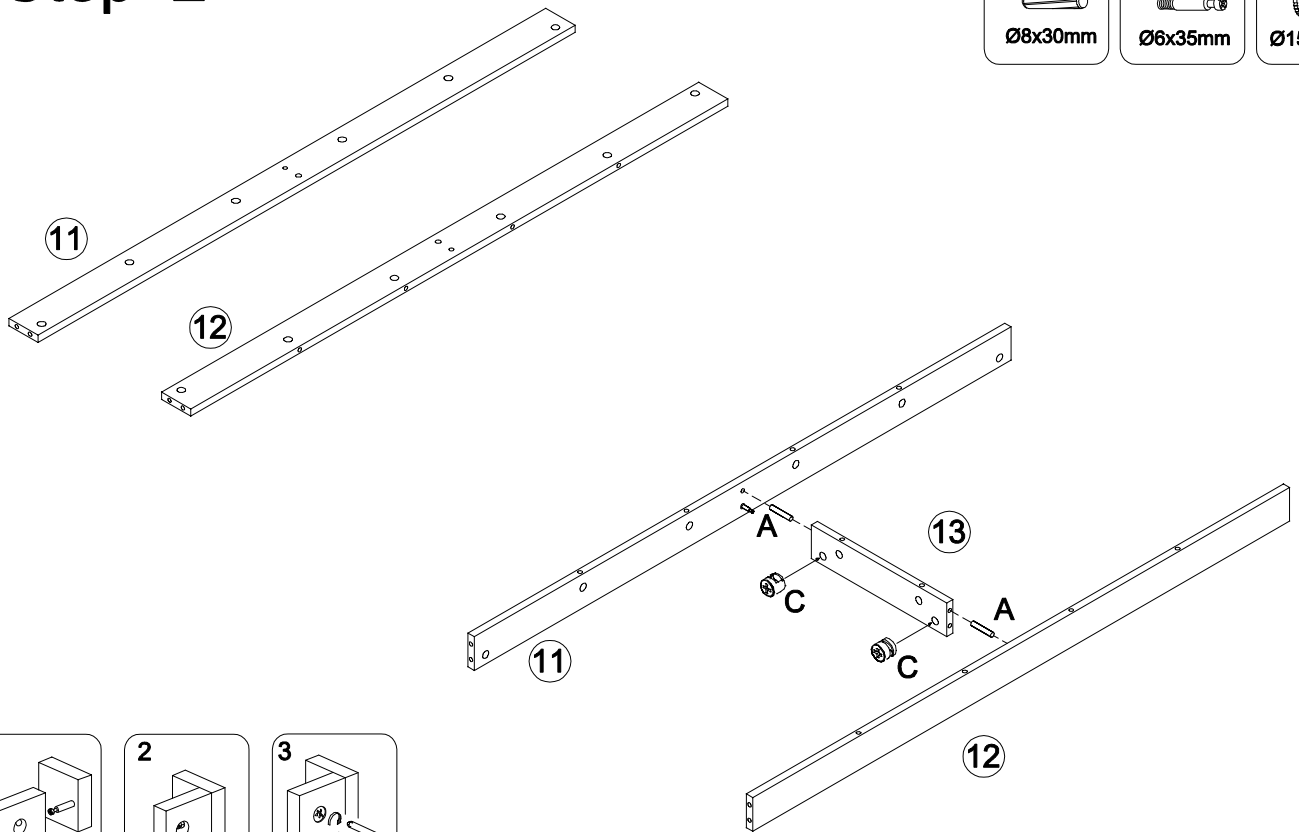
# Step 1

<b>A x 4</b>	<b>B x 4</b>	<b>C x 4</b>
		
Ø8x30mm	Ø6x35mm	Ø15x12mm

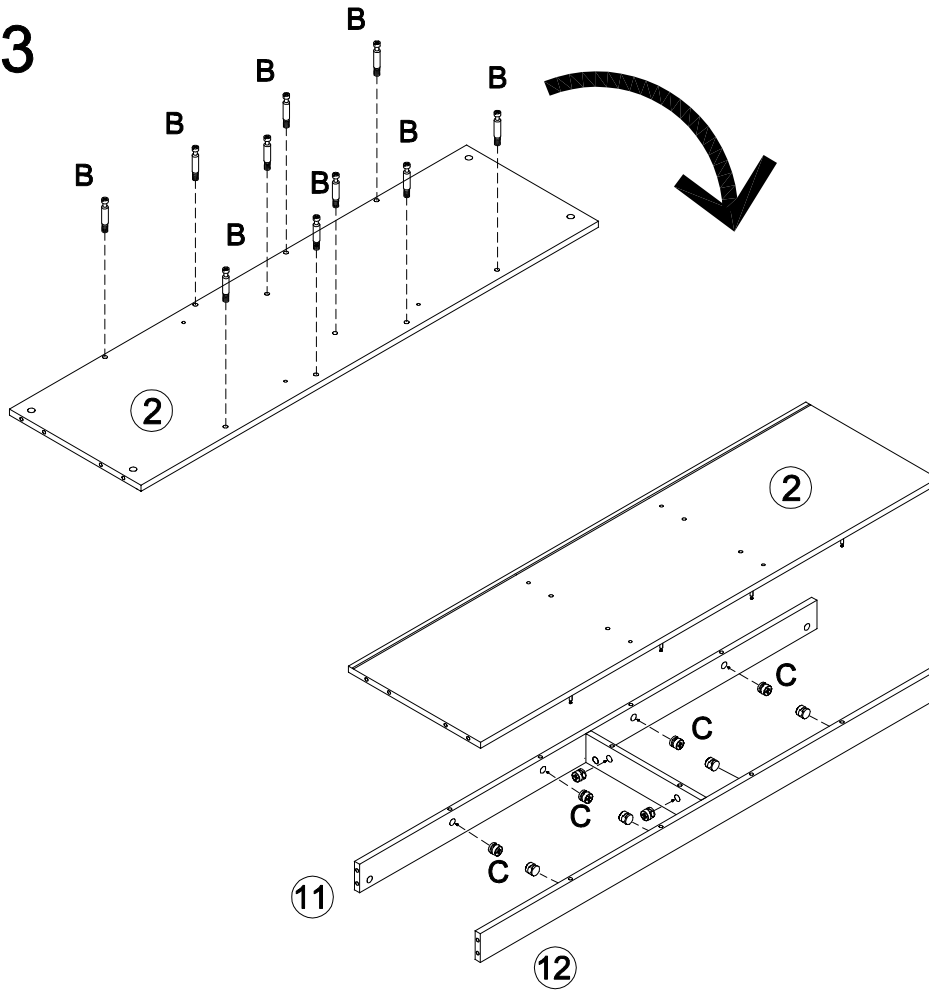




# Step 2

<b>A x 2</b>	<b>B x 2</b>	<b>C x 2</b>
		
Ø8x30mm	Ø6x35mm	Ø15x12mm

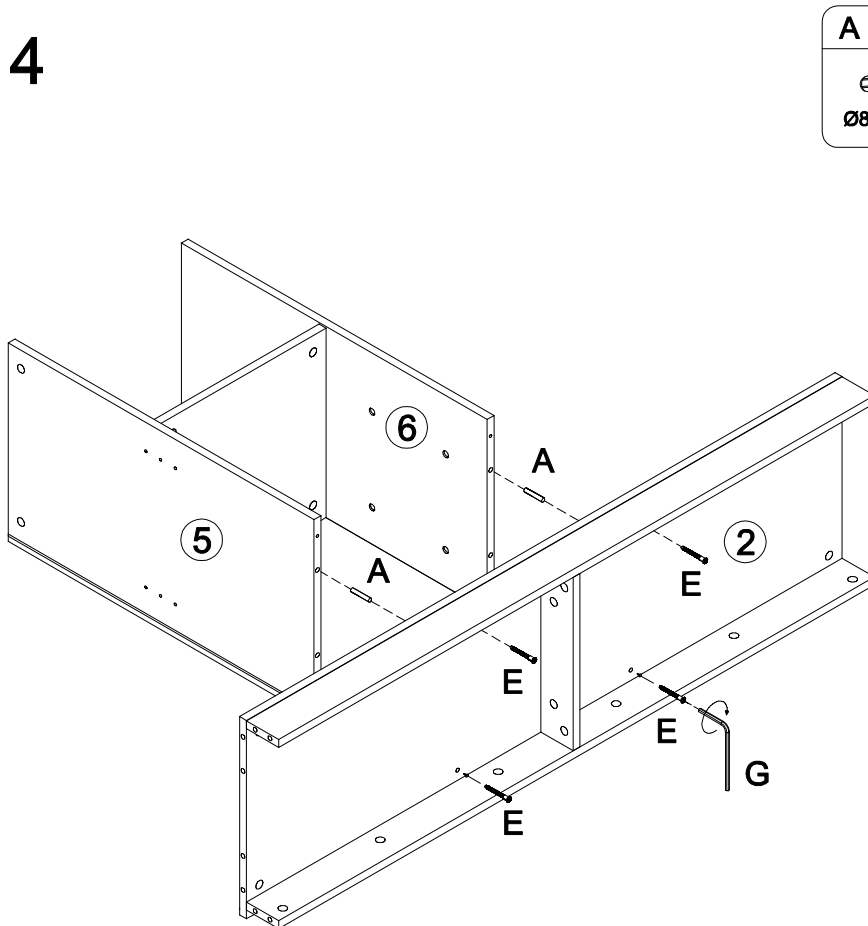





# Step 3






<b>B x 10</b>  Ø6x35mm	<b>C x 10</b>  Ø15x12mm
---	--

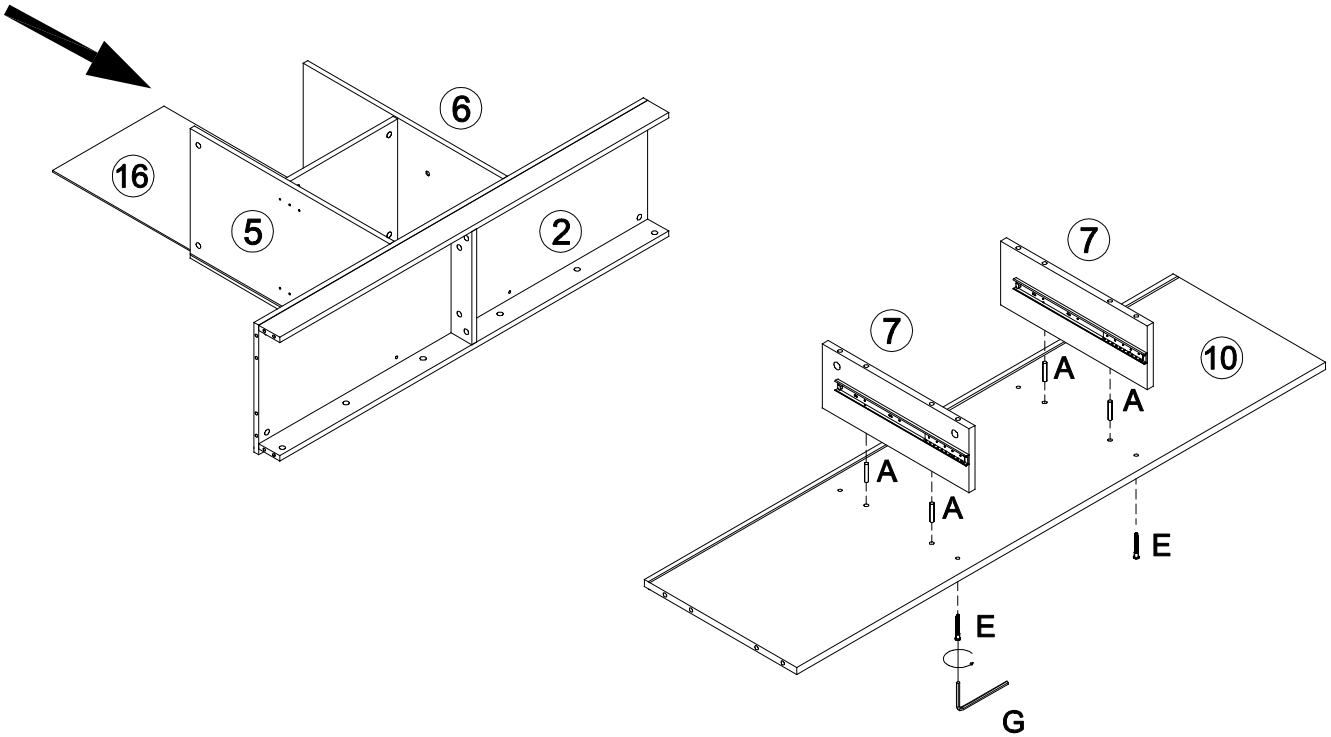
# Step 4






<b>A x 4</b>  Ø8x30mm	<b>E x 4</b>  Ø6x50mm	<b>G x 1</b>  4mm
--	--	--

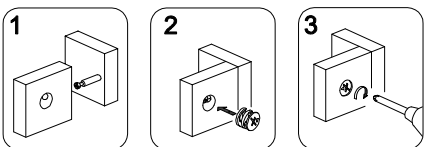
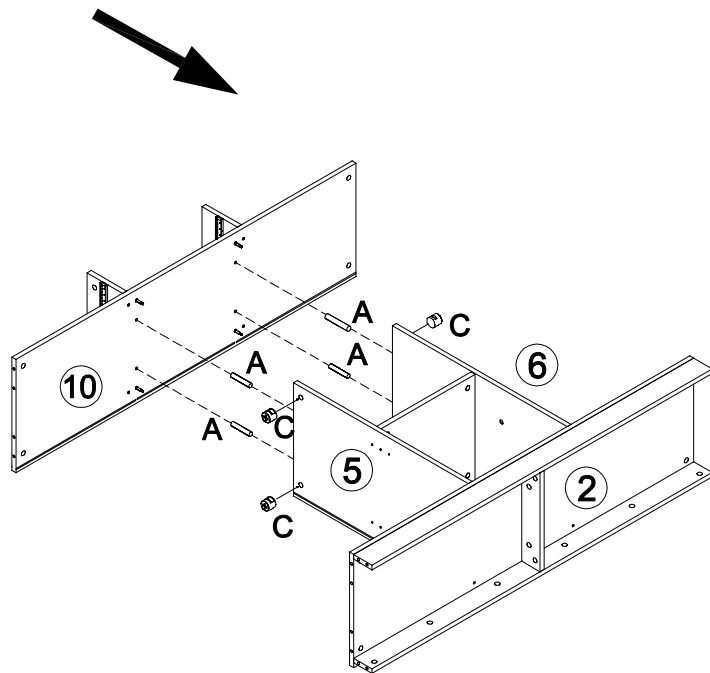
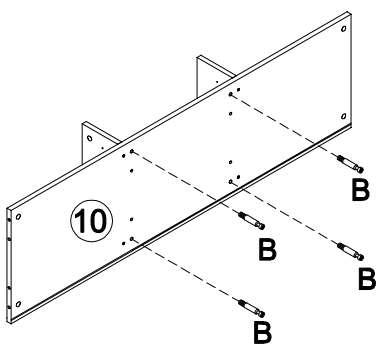
# Step 5

<b>A x 4</b>  Ø8x30mm	<b>E x 4</b>  Ø6x50mm	<b>G x 1</b>  4mm
--	--	--






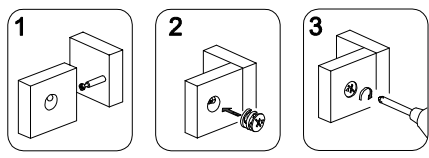
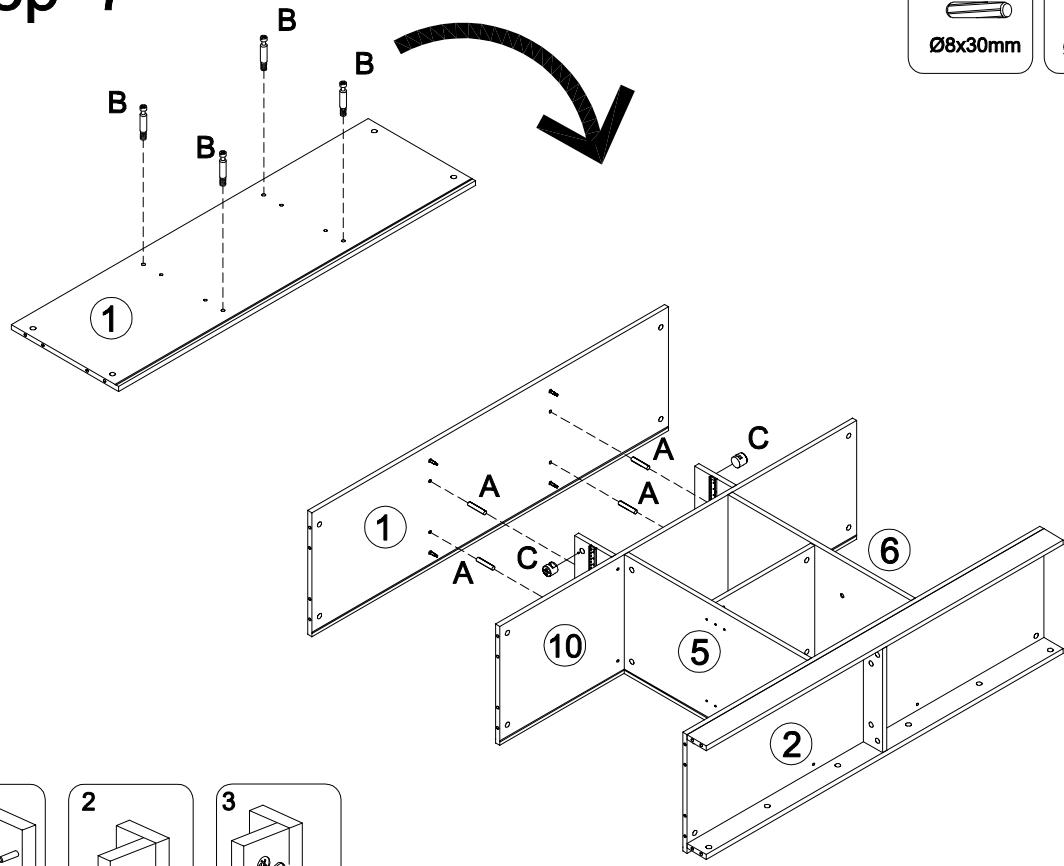
# Step 6

<b>A x 4</b>  Ø8x30mm	<b>B x 4</b>  Ø6x35mm	<b>C x 4</b>  Ø15x12mm
--	--	---



# Step 7

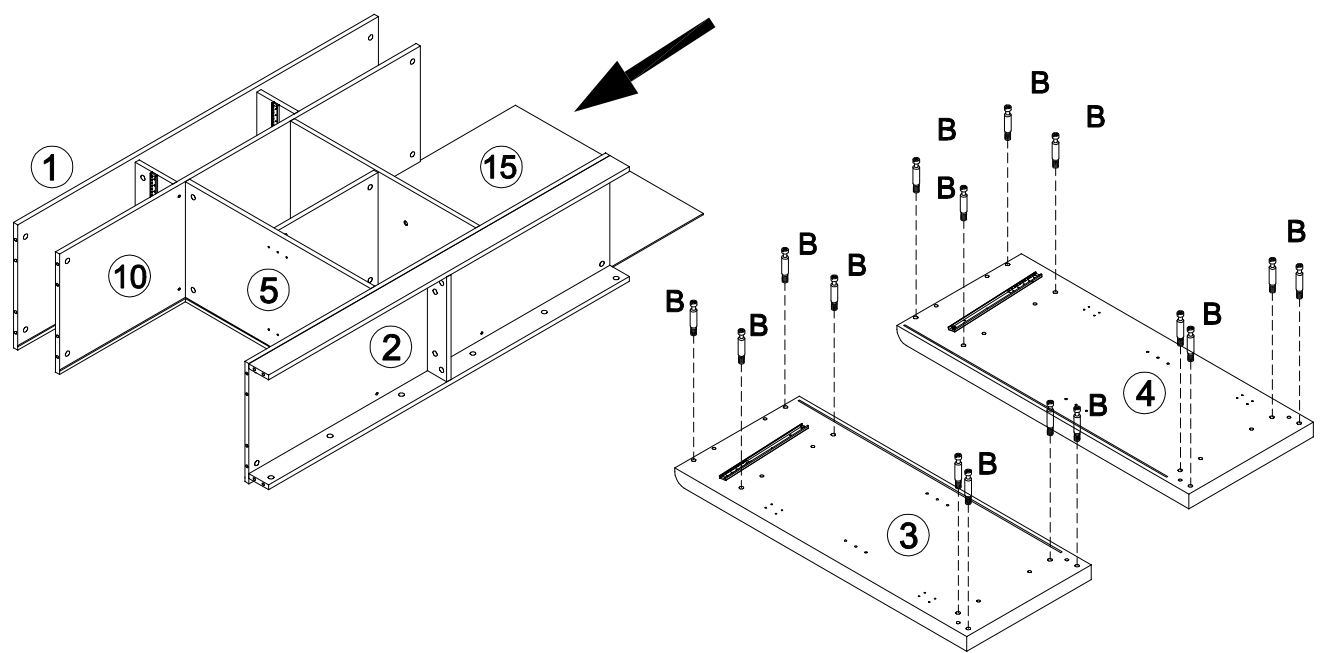
<b>A x 4</b>	<b>B x 4</b>	<b>C x 4</b>
		
Ø8x30mm	Ø6x35mm	Ø15x12mm



# Step 8



<b>B x 16</b>

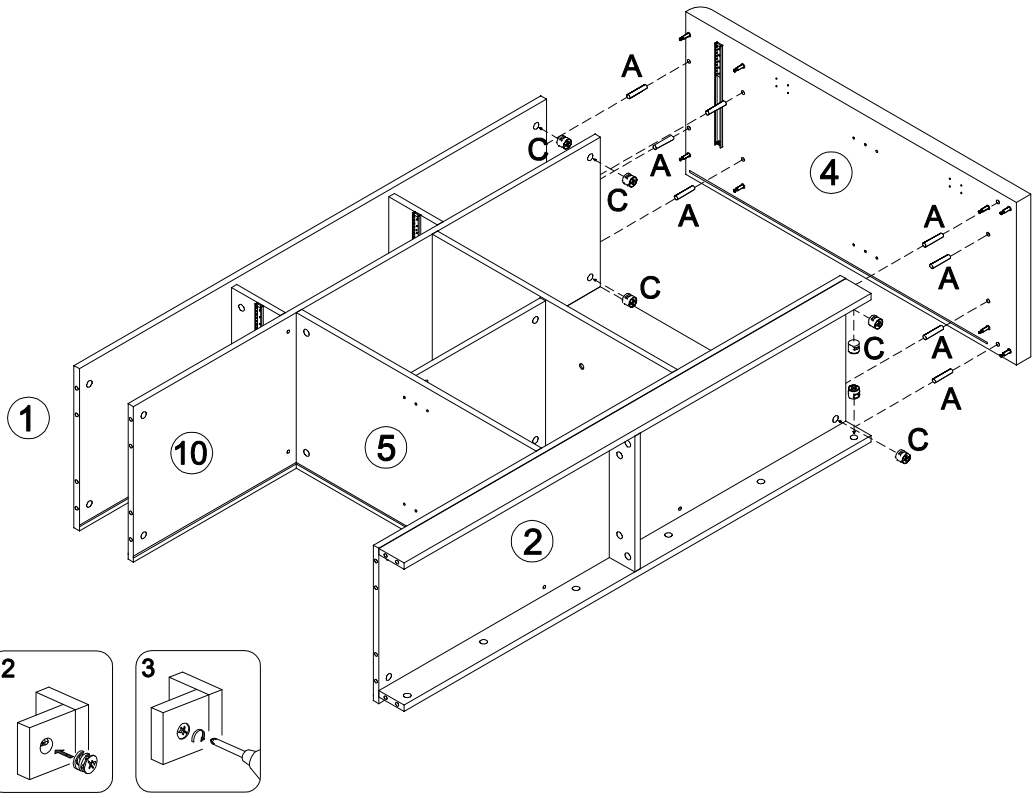
Ø6x35mm



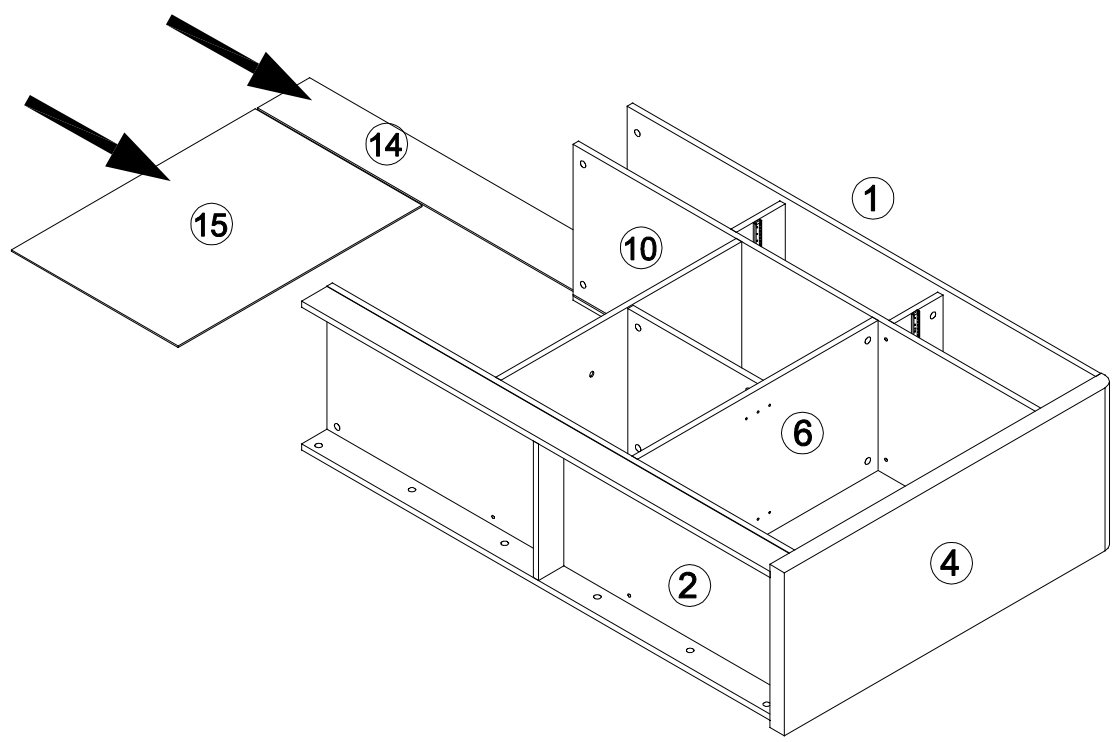


# Step 9



A x 8	C x 8
	
Ø8x30mm	Ø15x12mm

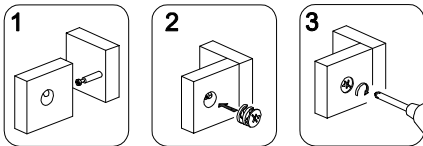
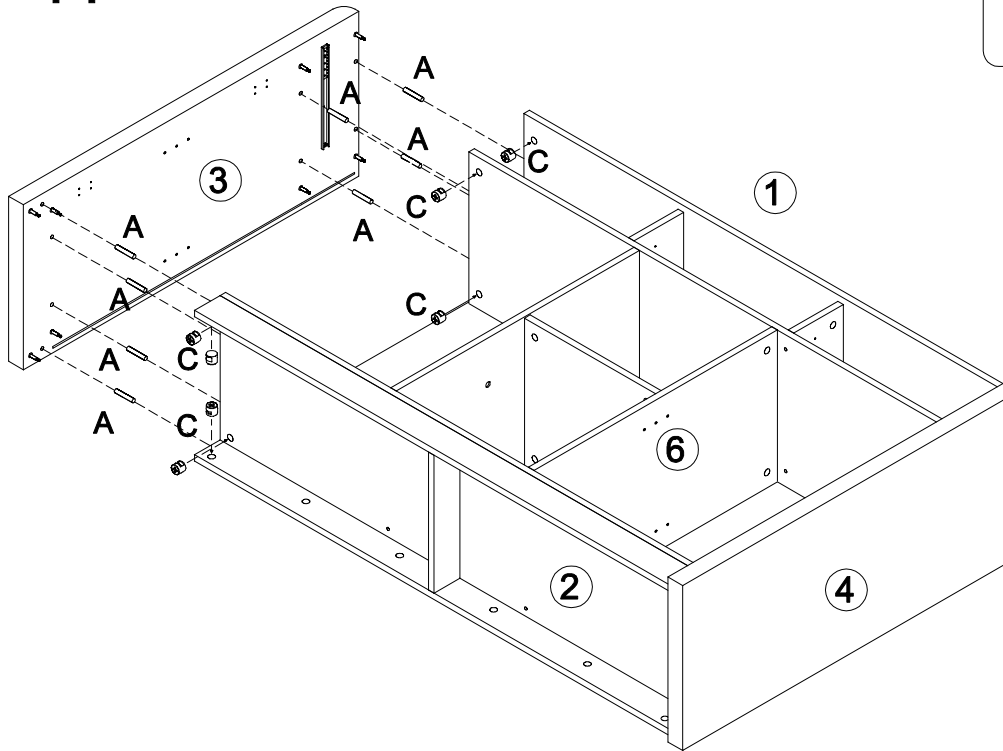


# Step 10




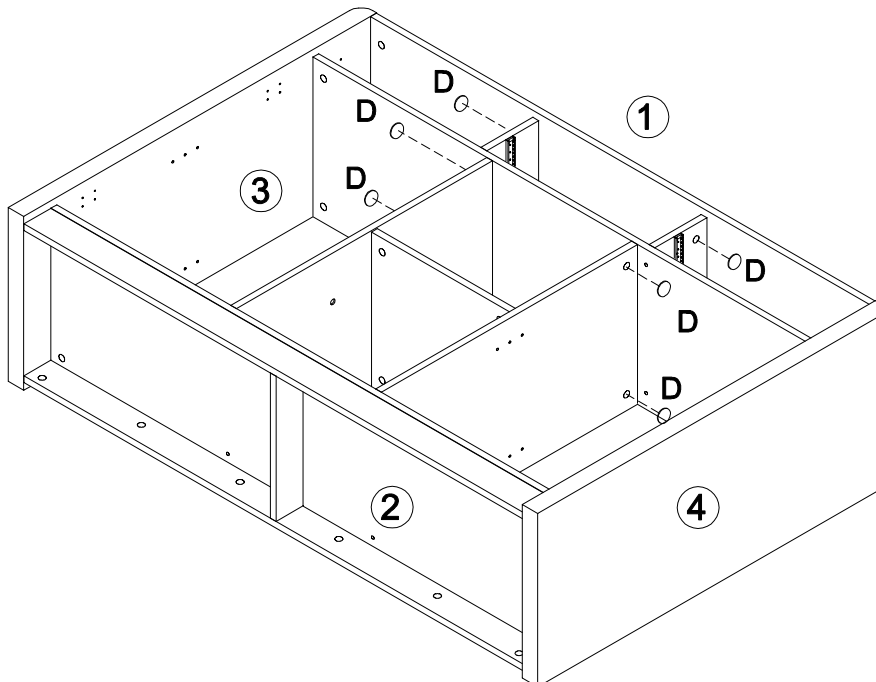
# Step 11

A x 8	C x 8
	
Ø8x30mm	Ø15x12mm

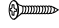



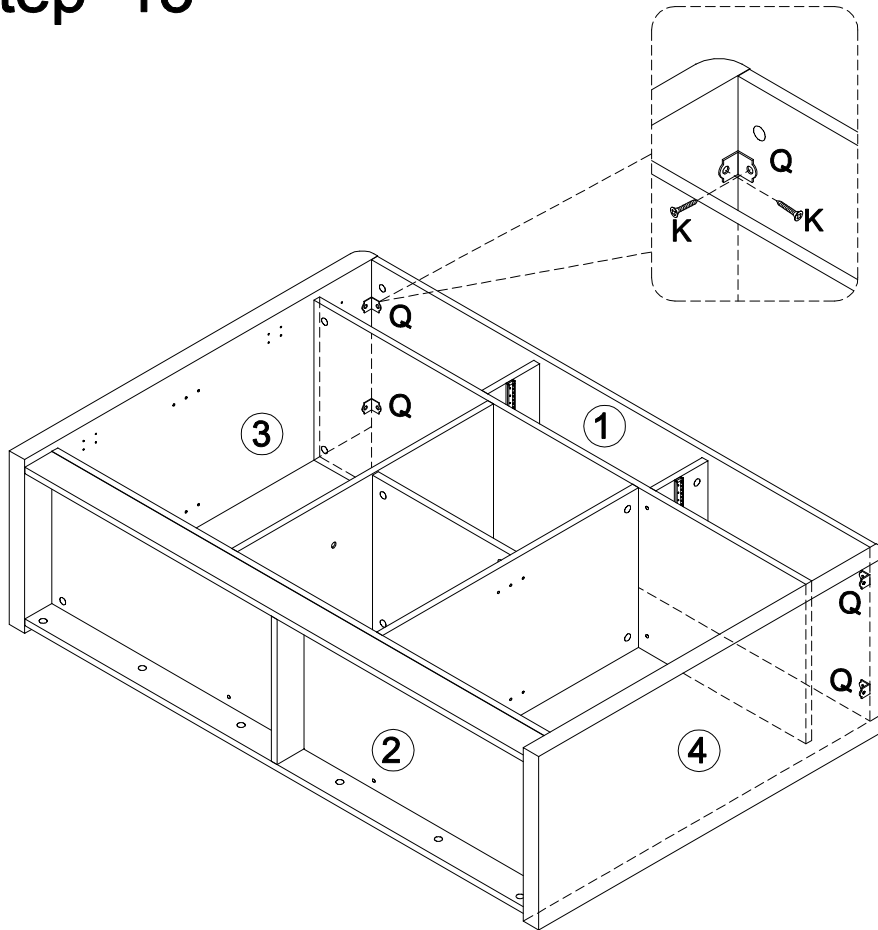
# Step 12

D x 8



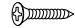


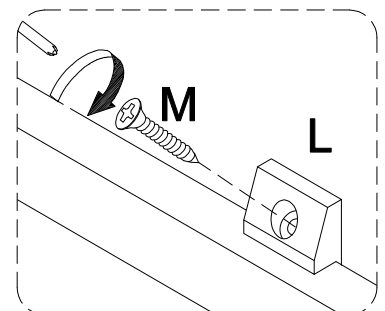
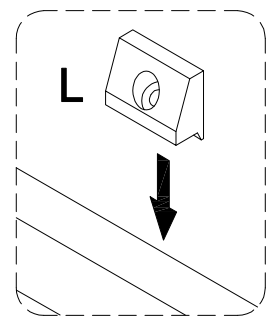
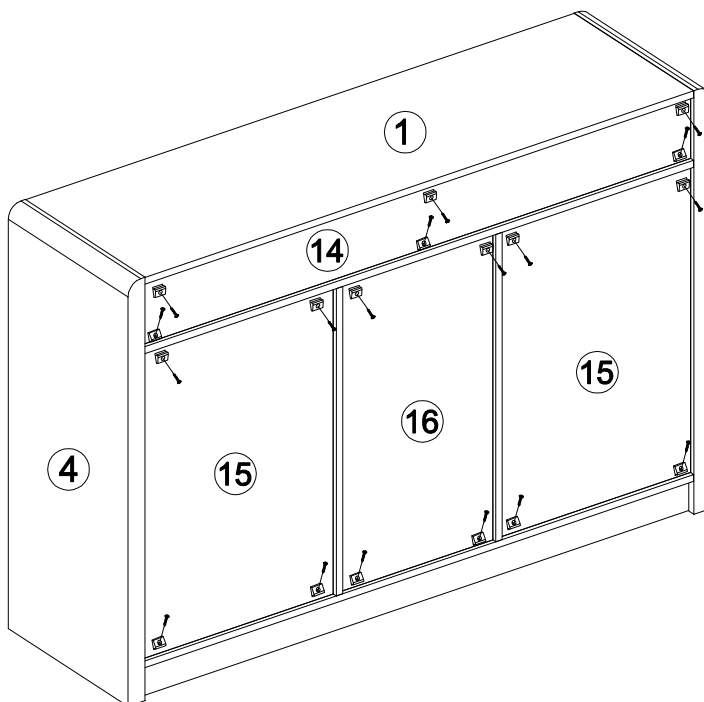
# Step 13

<b>K x 8</b>	<b>Q x 4</b>
 Ø3.5x14mm	

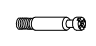




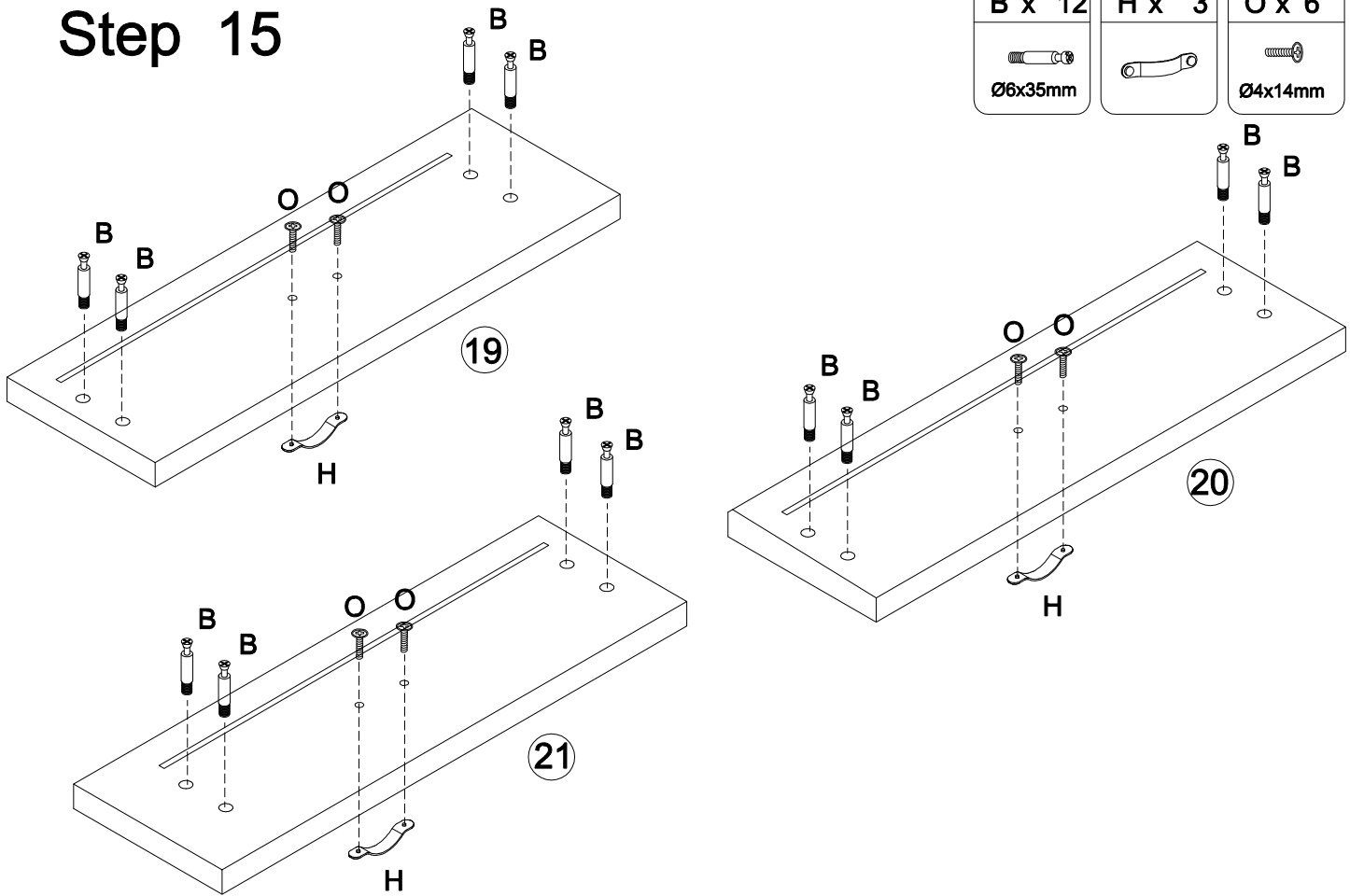
# Step 14

<b>L x 18</b>	<b>M x 18</b>
	 Ø3x18mm




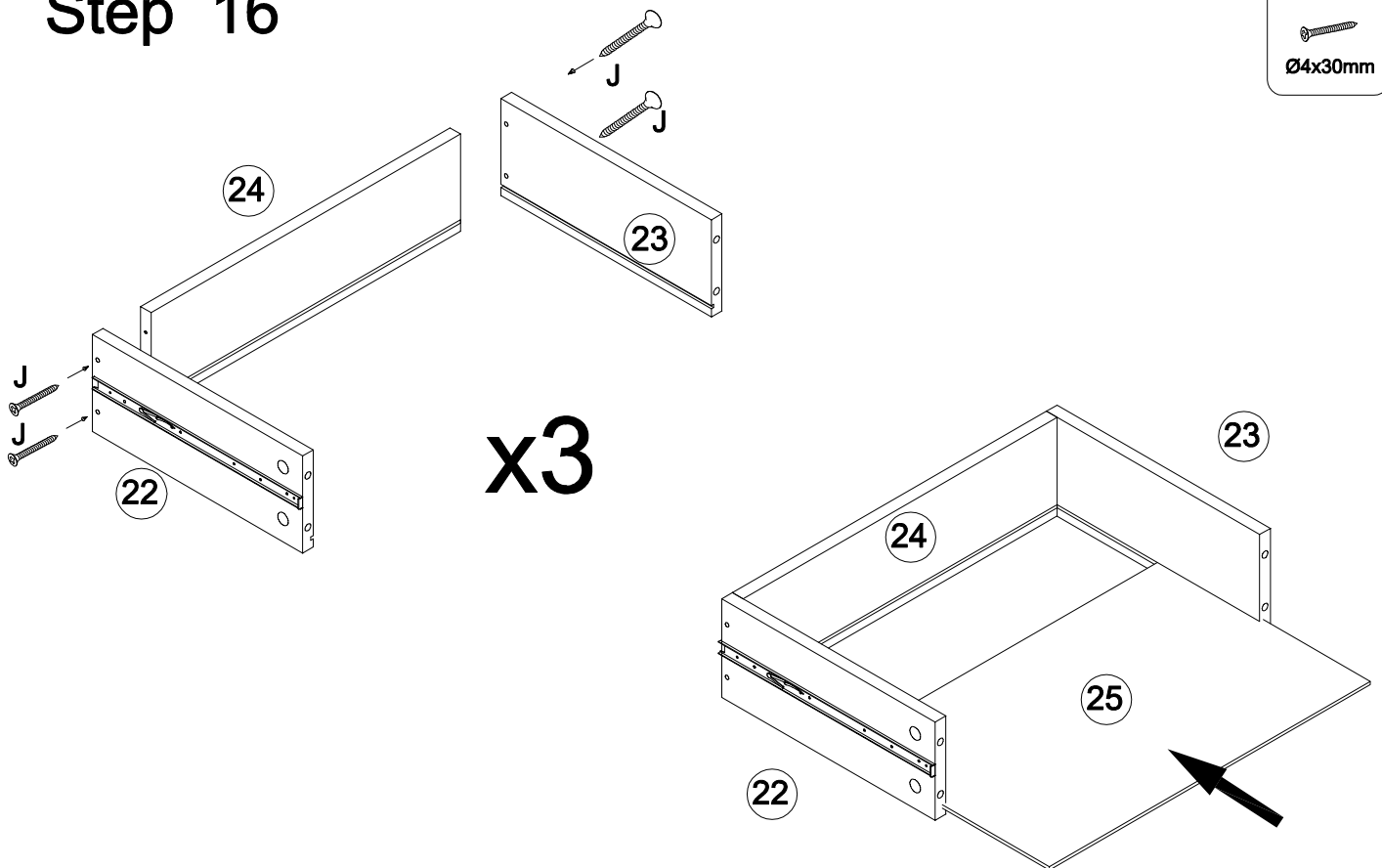
# Step 15

<b>B x 12</b>  Ø6x35mm	<b>H x 3</b> 	<b>O x 6</b>  Ø4x14mm
---	---	--





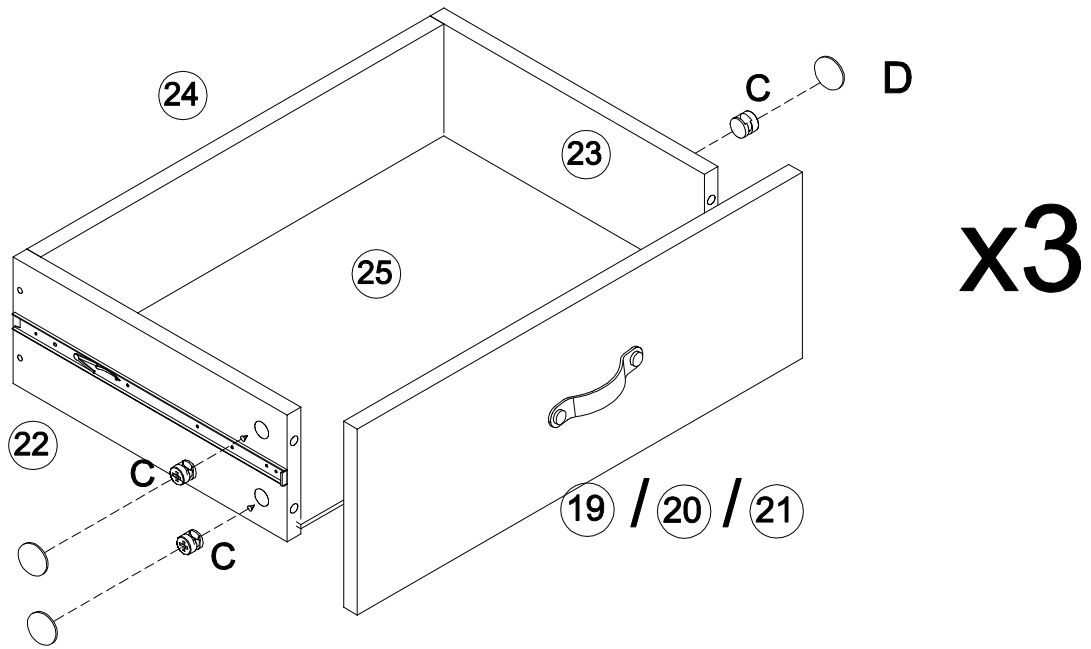
# Step 16

<b>J x 12</b>  Ø4x30mm
---

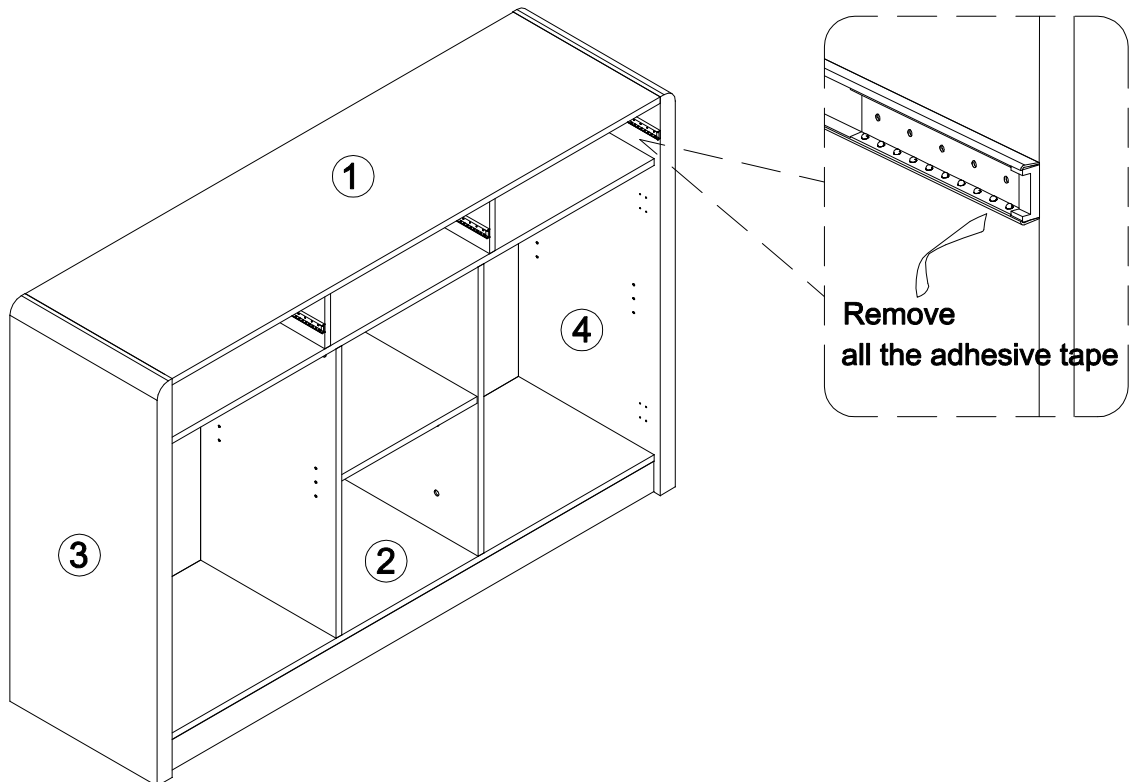


# Step 17

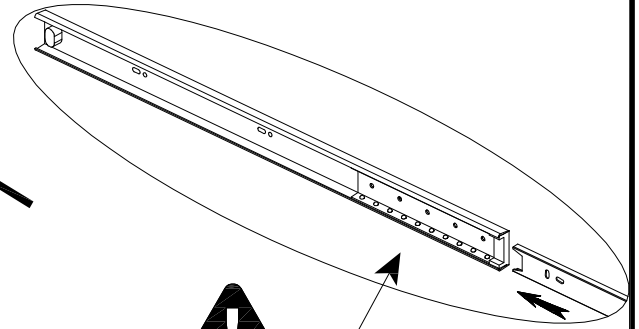
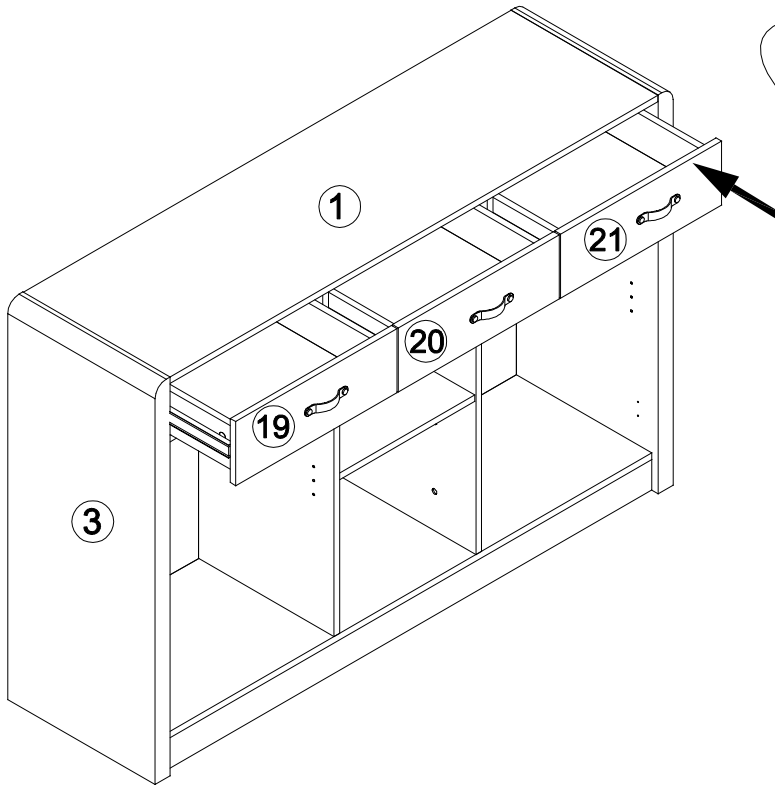
C x 12	D x 12
 Ø15x12mm	



# Step 18



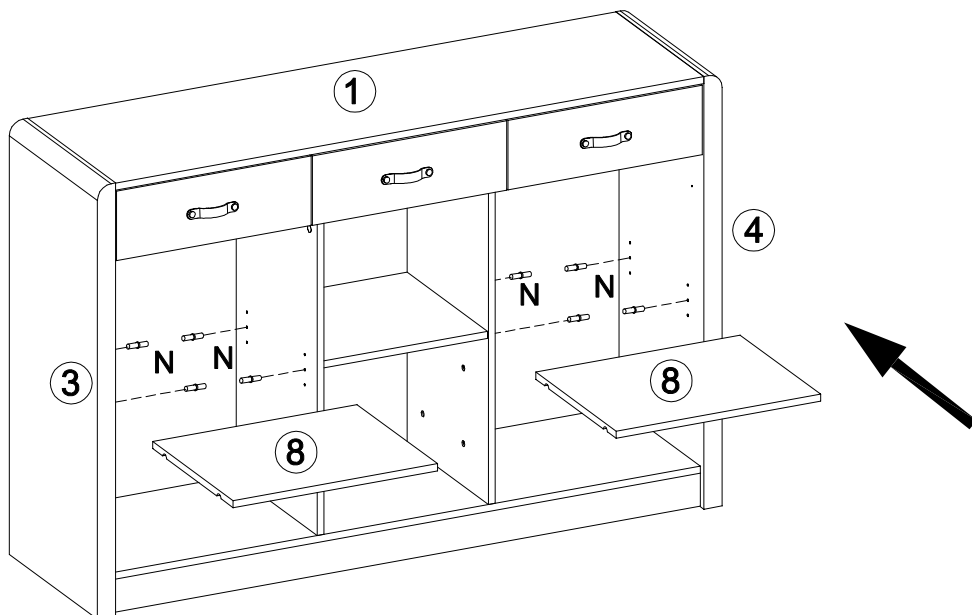
# Step 19



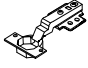



Make sure the ball rails section keeps in the front end of the junction when attached the drawer.

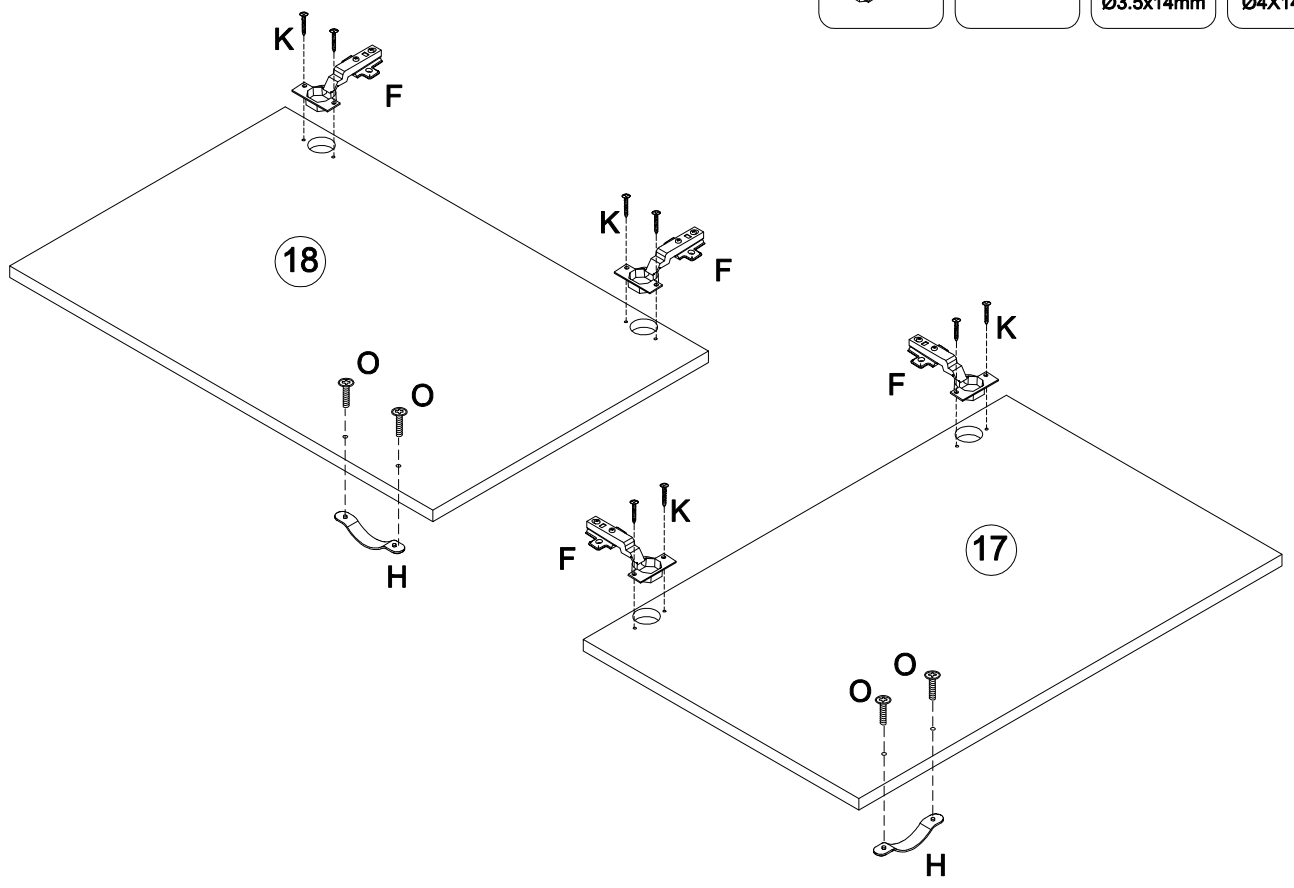
# Step 20

N x 8


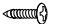


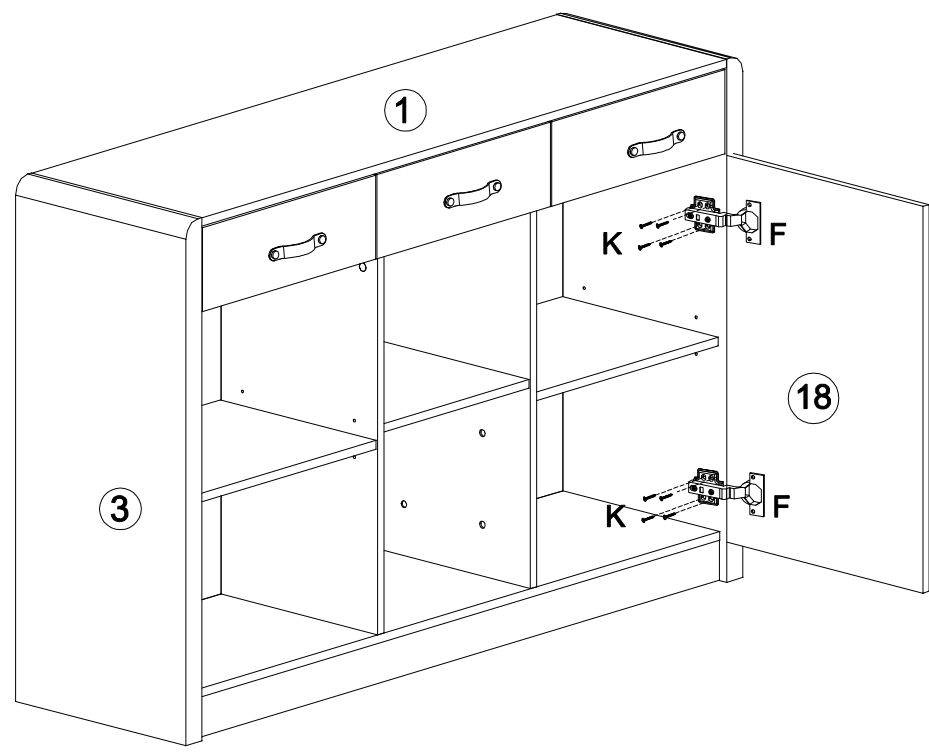
# Step 21

<b>F x 4</b> 	<b>H x 2</b> 	<b>K x 8</b>  Ø3.5x14mm	<b>O x 4</b>  Ø4x14mm
--	---	--	--


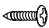


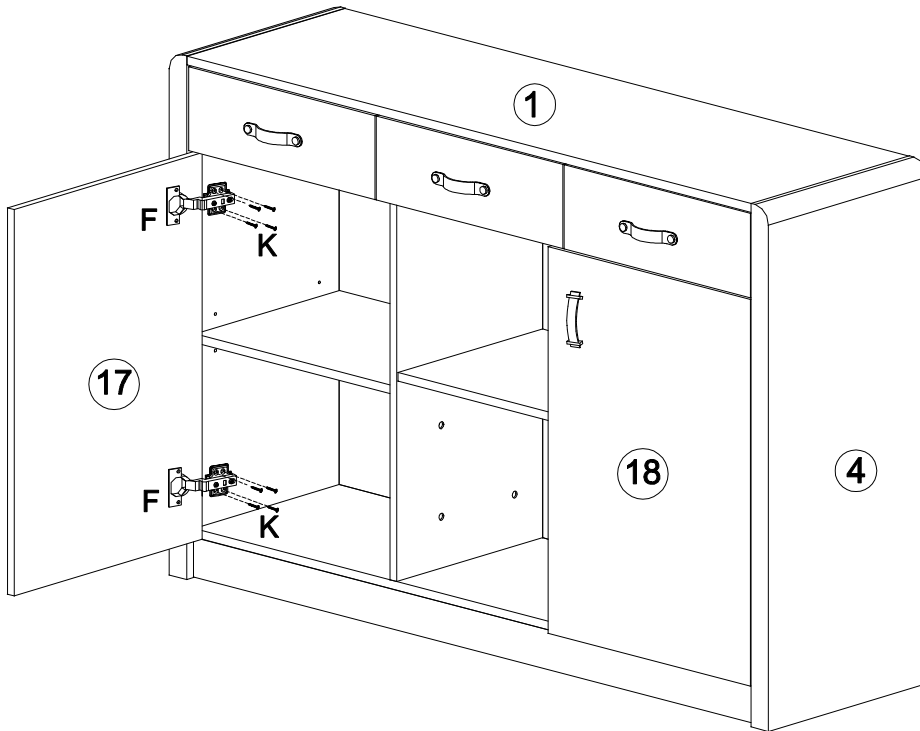
# Step 22

<b>F x 2</b> 	<b>K x 8</b>  Ø3.5x14mm
---	--





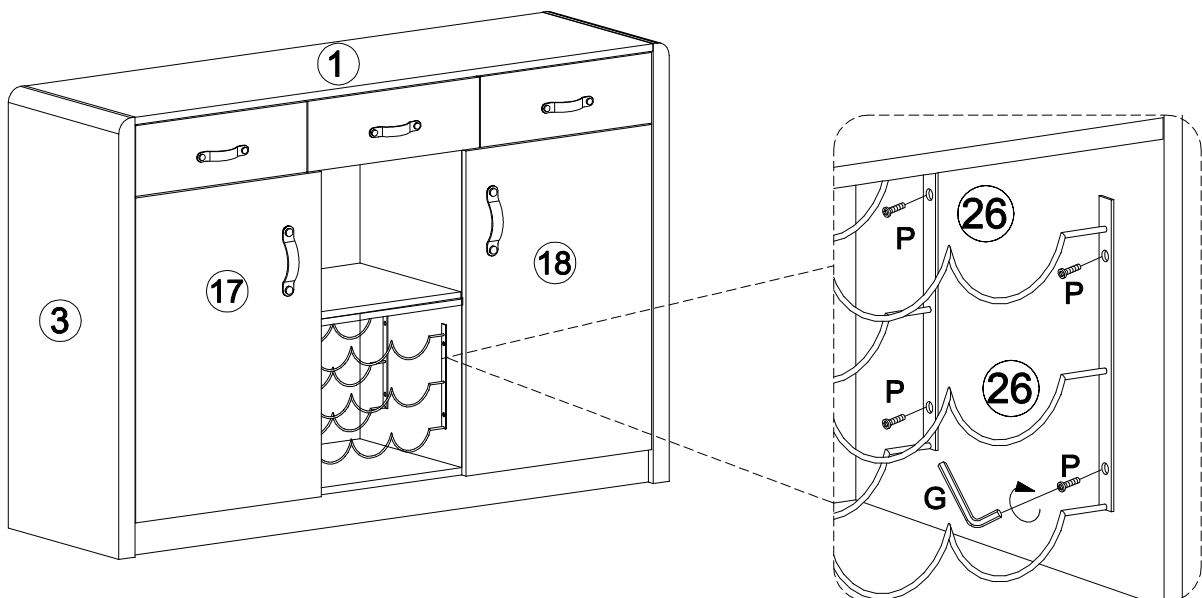
# Step 23

<b>F x 2</b>	<b>K x 8</b>
	
	Ø3.5x14mm




# Step 24

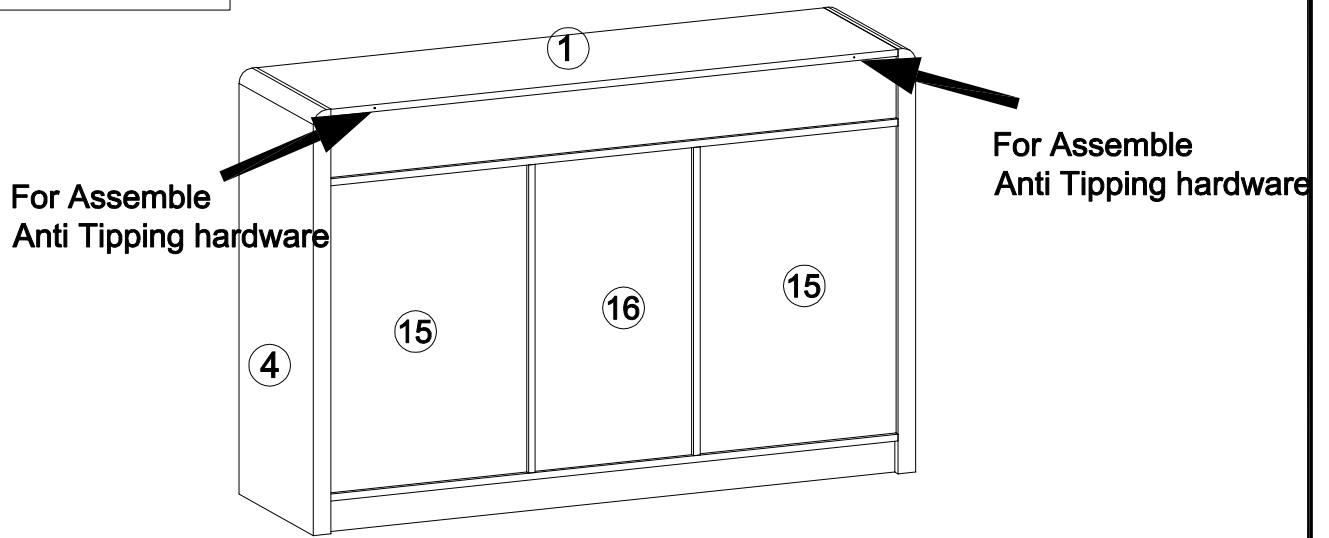
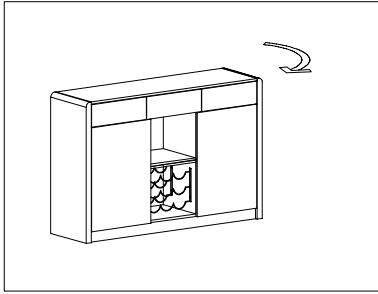
<b>G x 1</b>	<b>P x 8</b>
	
4mm	M6x12mm



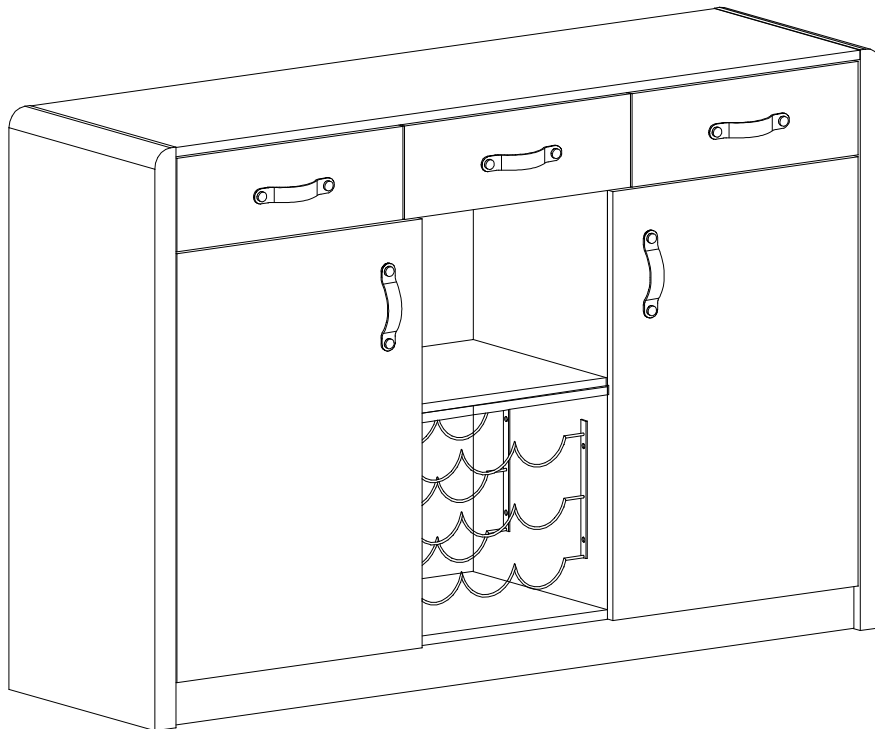


# Step 25

R x 2  




# Step 26





## WARNING



Children have died from furniture tipover. To reduce the risk of furniture tipover:

- **ALWAYS** install tipover restraint provided.
- **NEVER** put a TV on this product.
- **NEVER** allow children to stand, climb or hang on drawers, doors, or shelves.
- **NEVER** open more than one drawer at a time.
- Place heaviest items in the lowest drawers.

