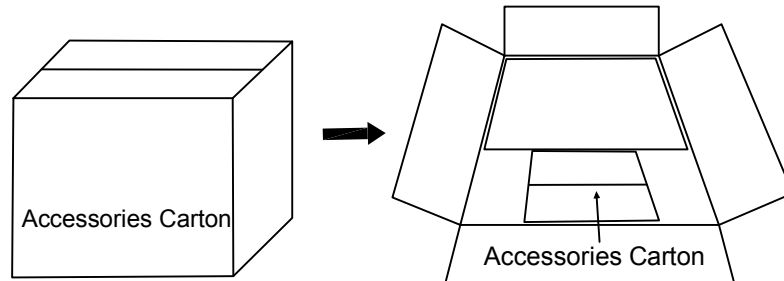
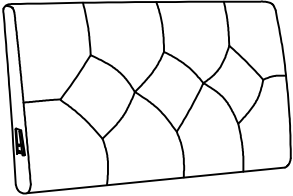
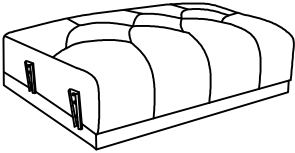
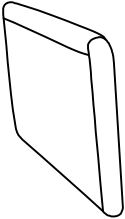
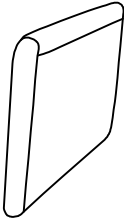
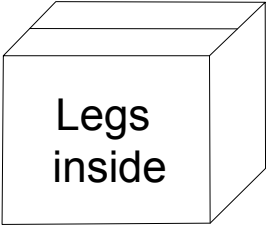
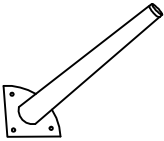
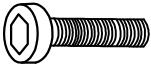



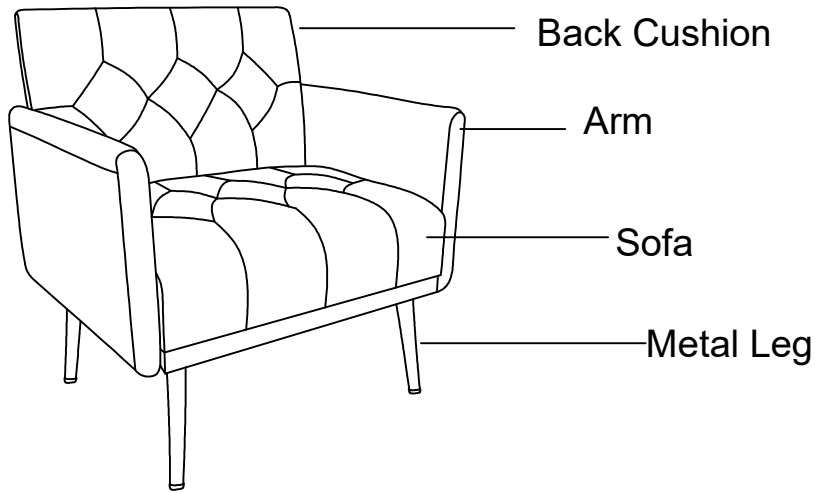
# Assembly Instructions

## Parts List

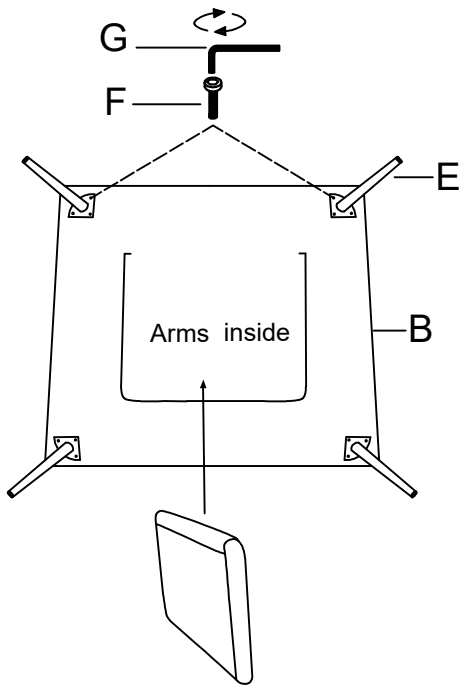


Label	Picture	Description	QTY	
A		Back Cushion	1	
B		Sofa	1	
C		Left Arm	1	
D		Right Arm	1	
Accessories Carton 	E		Metal Leg	4
	F		Screw	12
	G		Wrench	1

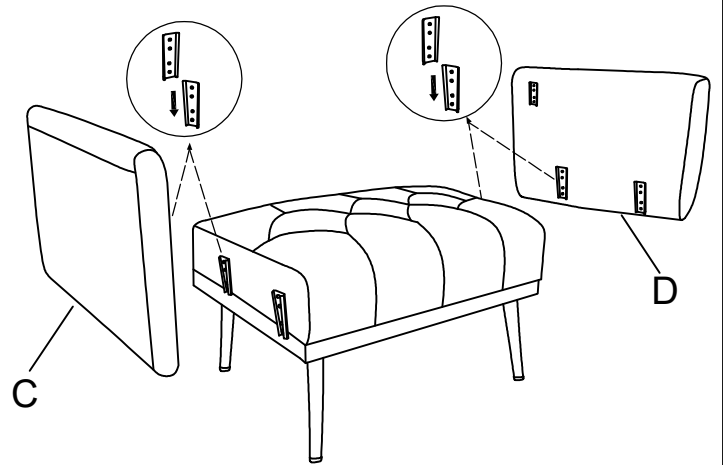
# Assembly Steps



①

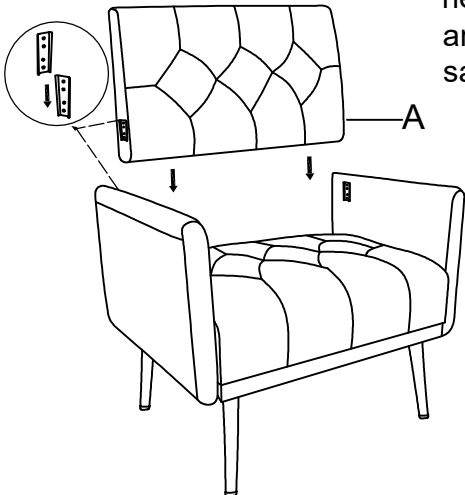


②



③

When installing the backrest, two people need to squeeze the arm inward at the same time.



④

