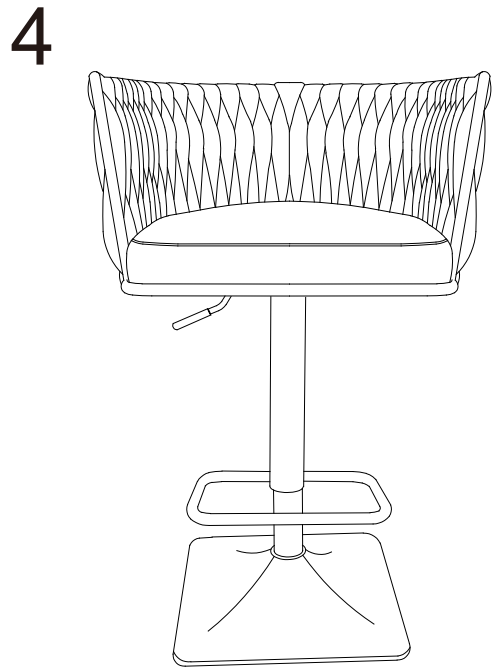
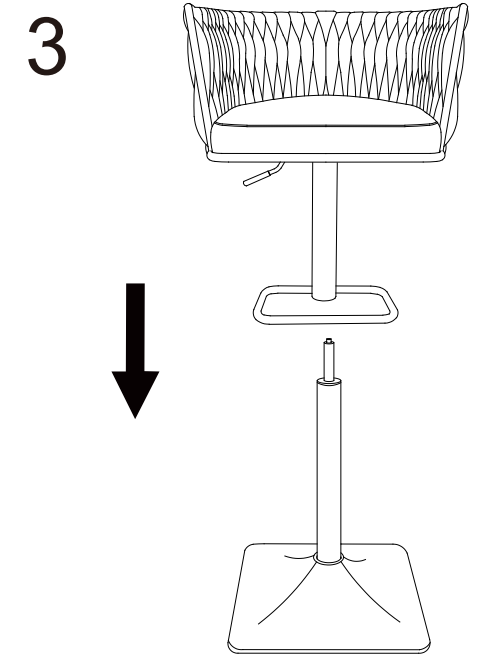
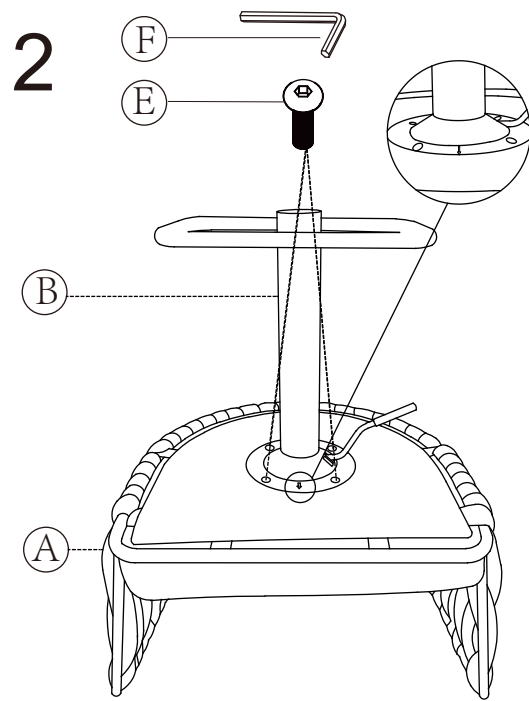
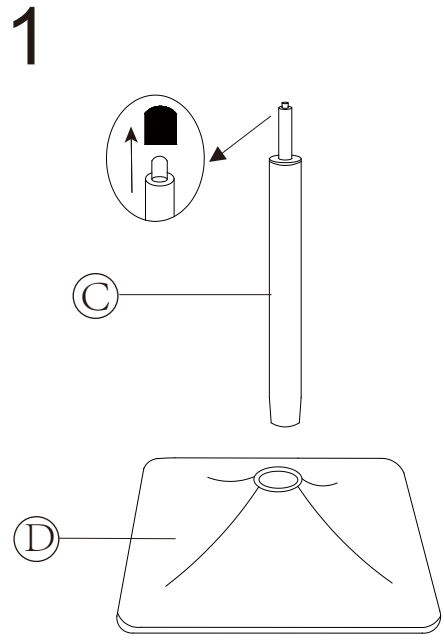
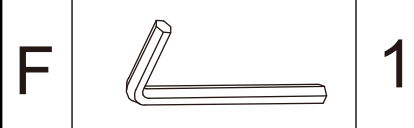
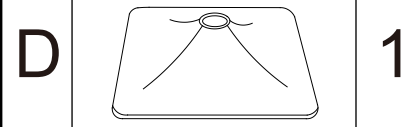
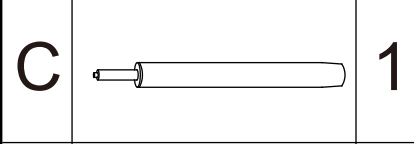
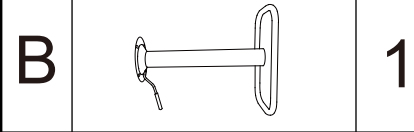
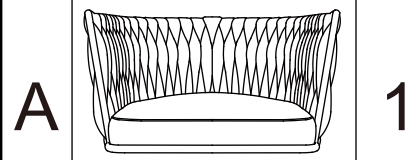


Model:3258



— Customer service —

If you have any problems, please contact our Customer Service team directly via the Buyer Page ""contact seller"" or send emails to our B2C customer service. Email: [service@jonpony.com](mailto:service@jonpony.com)  
Satisfactory service within 24 hours.