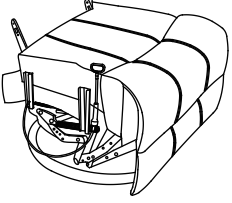
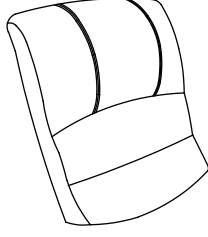
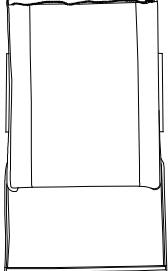
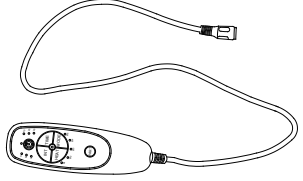
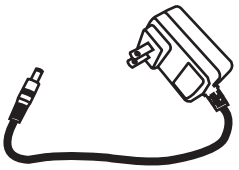
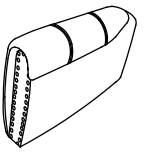
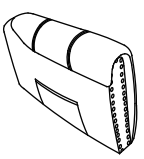
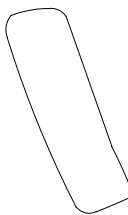
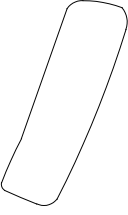


**INSTRUCTION MANUAL**  
**MODEL:1250-2GSM**

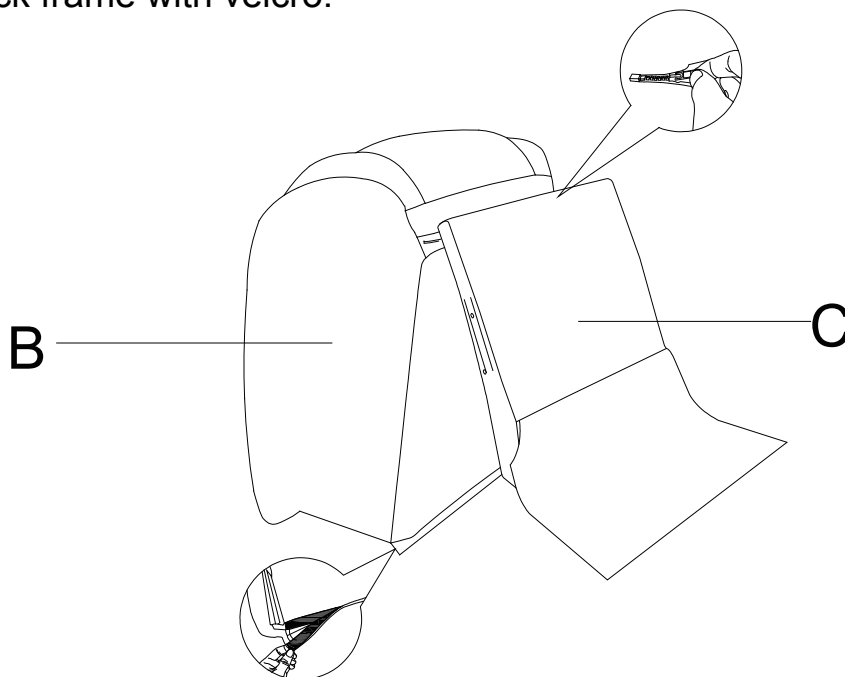
Edition:202309191642S

# Assembly Instruction

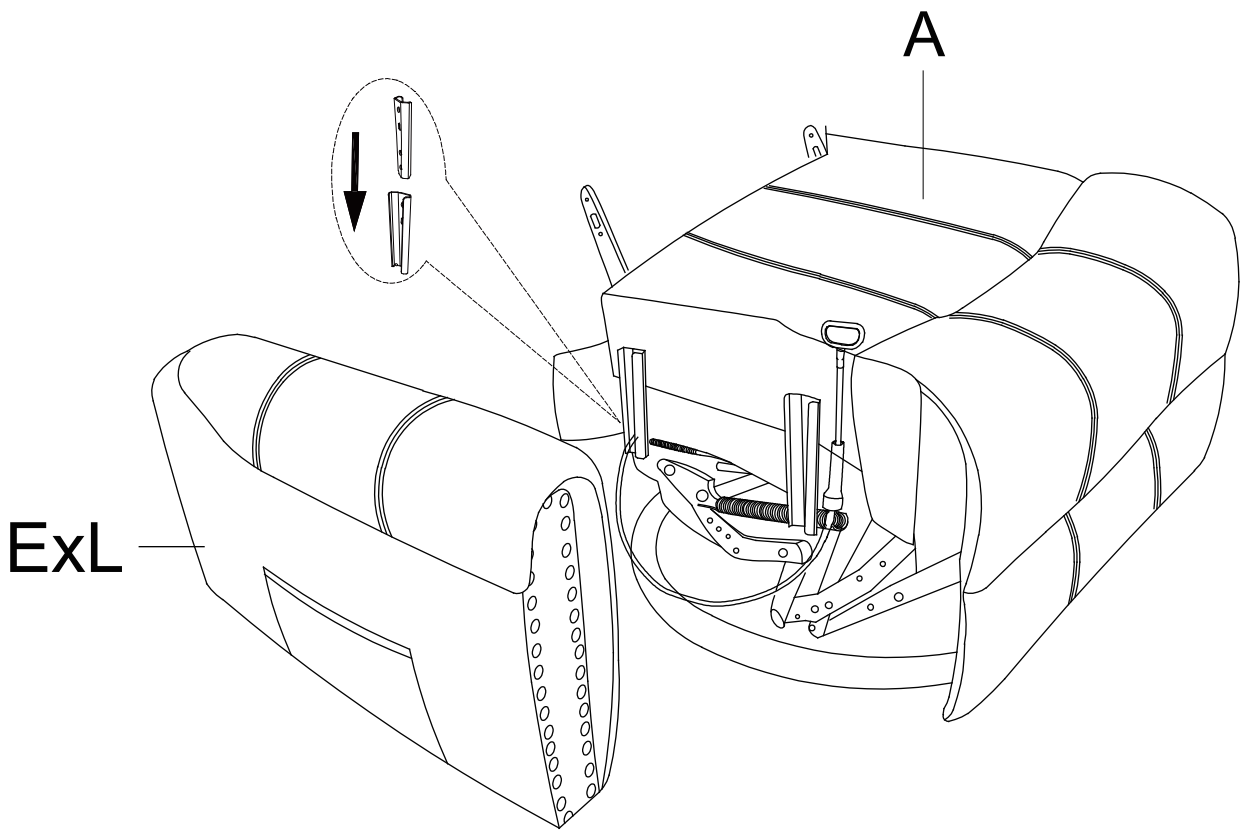
## PART LIST

<p>Ax1</p>  <p>Seat</p>	<p>Bx1</p>  <p>Back</p>	<p>Cx1</p>  <p>Backrest</p>	<p>Gx1</p>  <p>Massager remote control board</p>
<p>Hx1</p>  <p>Massager power supply</p>			
<p>ExRx1</p>  <p>Right armrest</p>	<p>E xLx1</p>  <p>Left armrest</p>	<p>DxLx1</p>  <p>Left dorsal ear</p>	<p>DxRx1</p>  <p>Right dorsal ear</p>

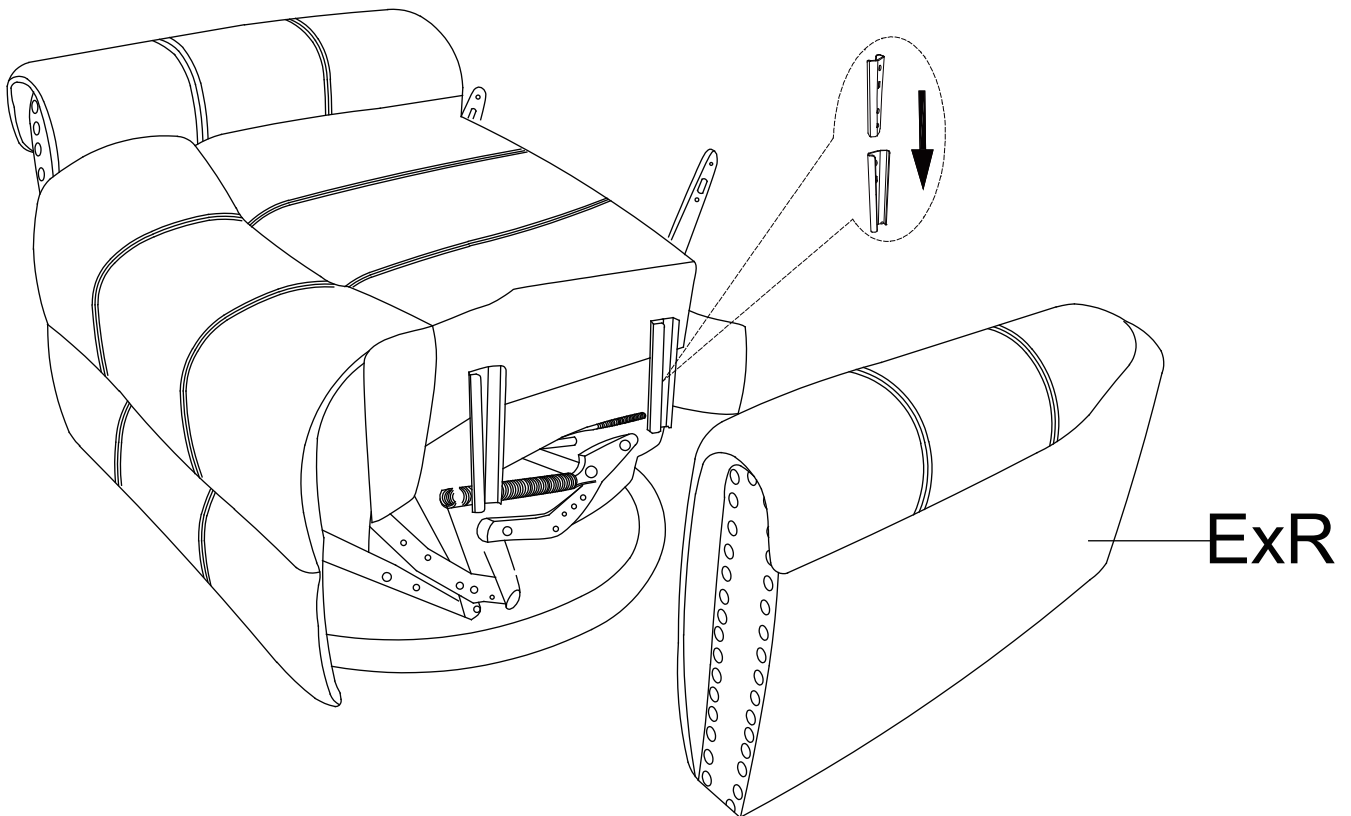
**Step 1** Zip up the backpack to the back frame ,then connect the backpack and back frame with velcro.



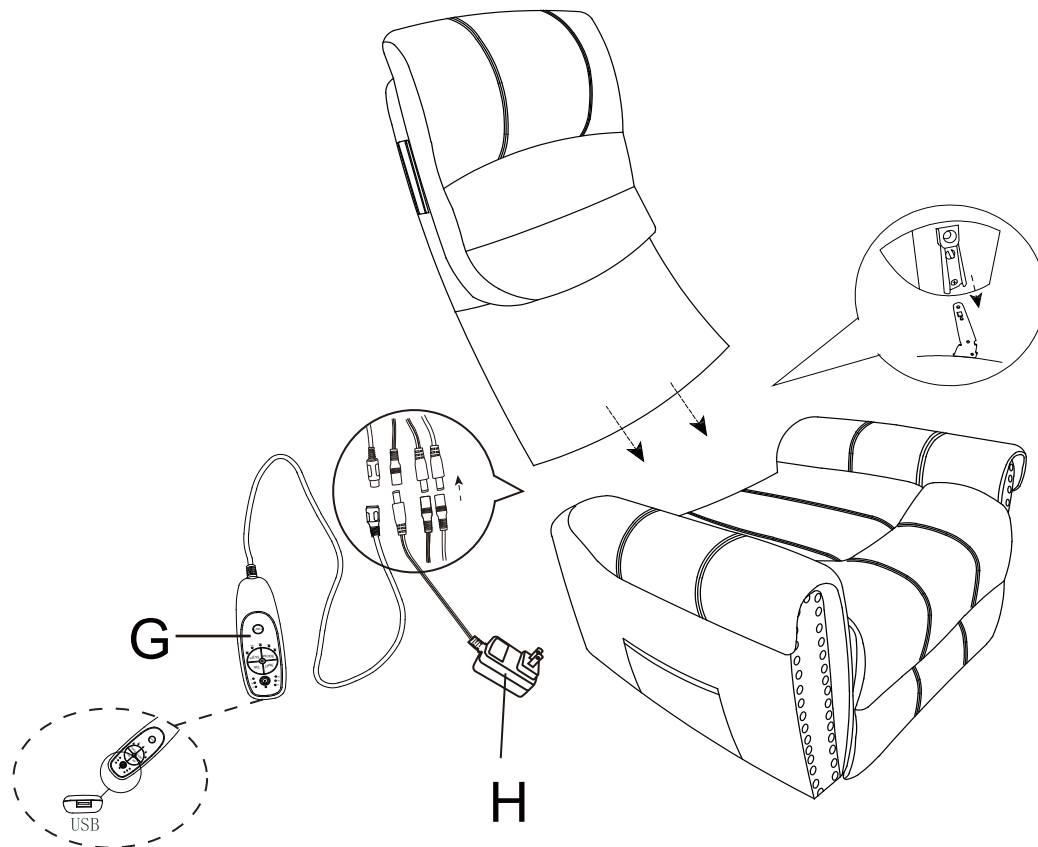
Step 2 Insert the arms into the seat in a way that they fit properly . You will hear a click when they are securely engaged.



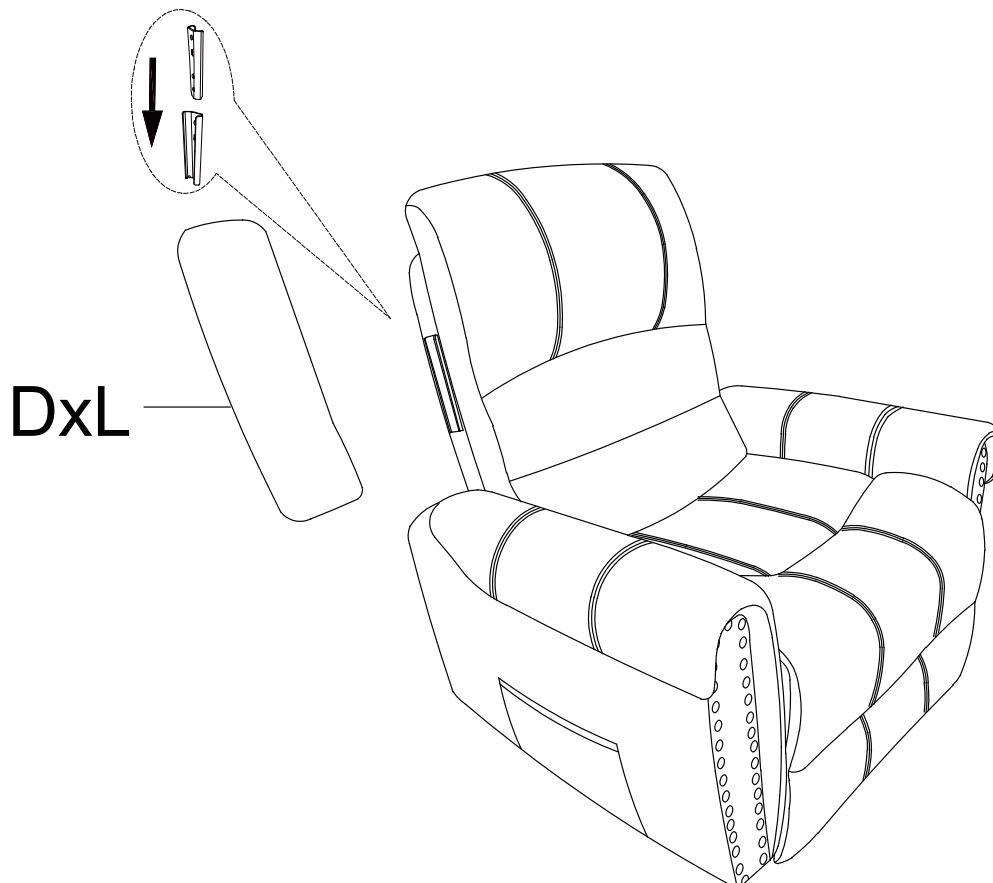
Step 3 Repeat Step 2.



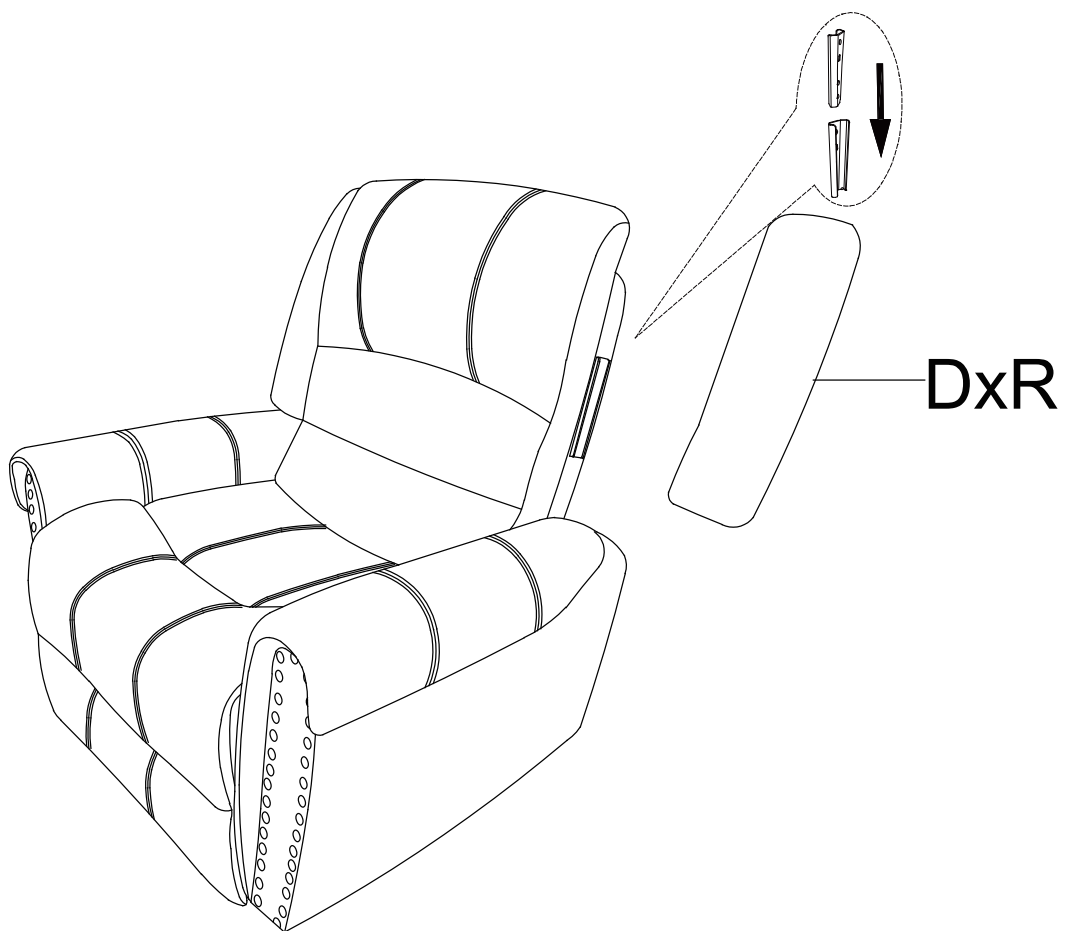
**Step 4** Plug the back pad into the seat frame , then connect the massager lines: white with white , red with red , black with the power lines , connect the massage line with the hand controller.



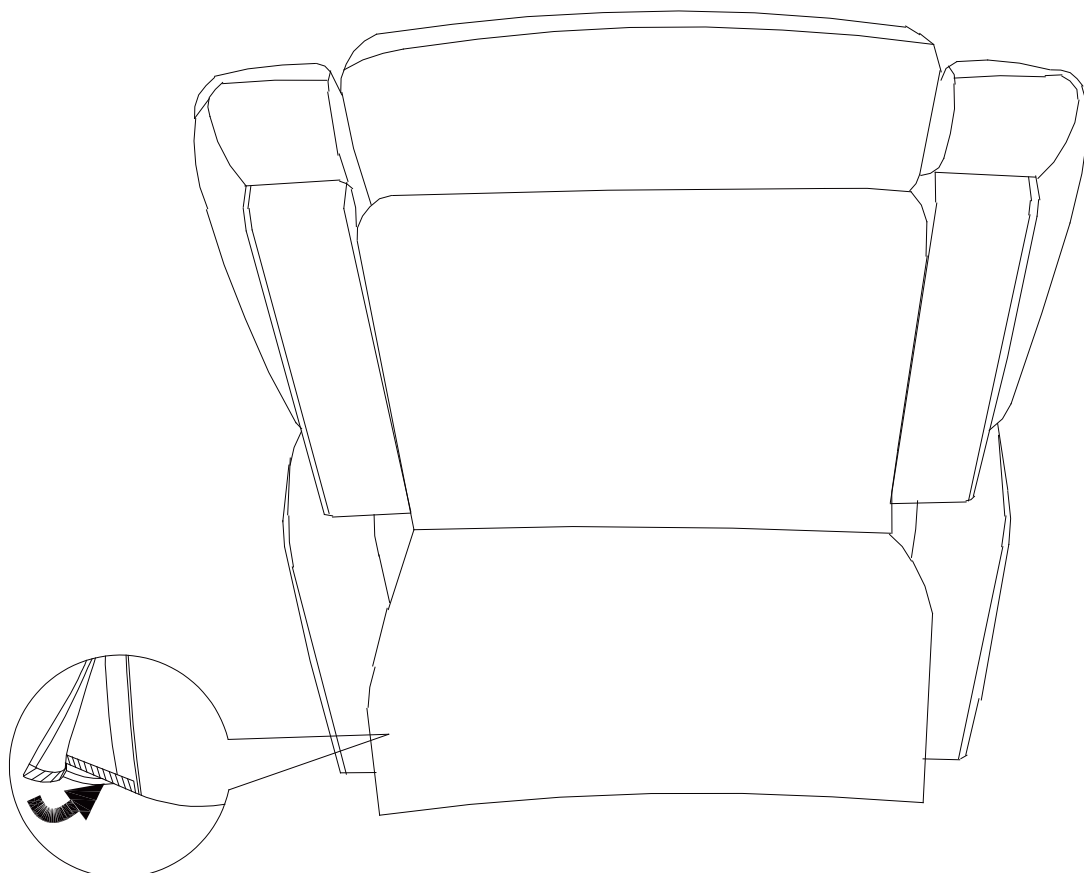
**Step 5** Install the back ears on both sides of the backrest.



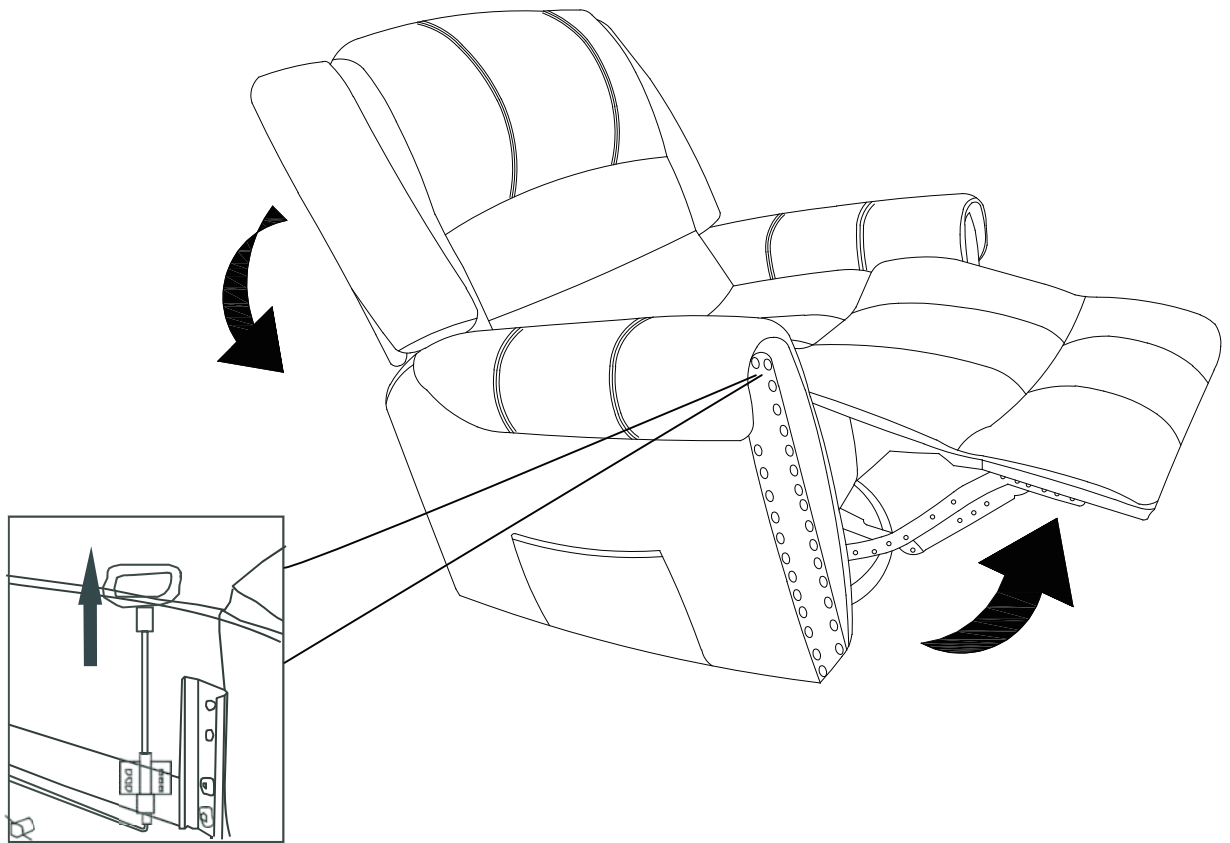
Step 6 Repeat Step 5.



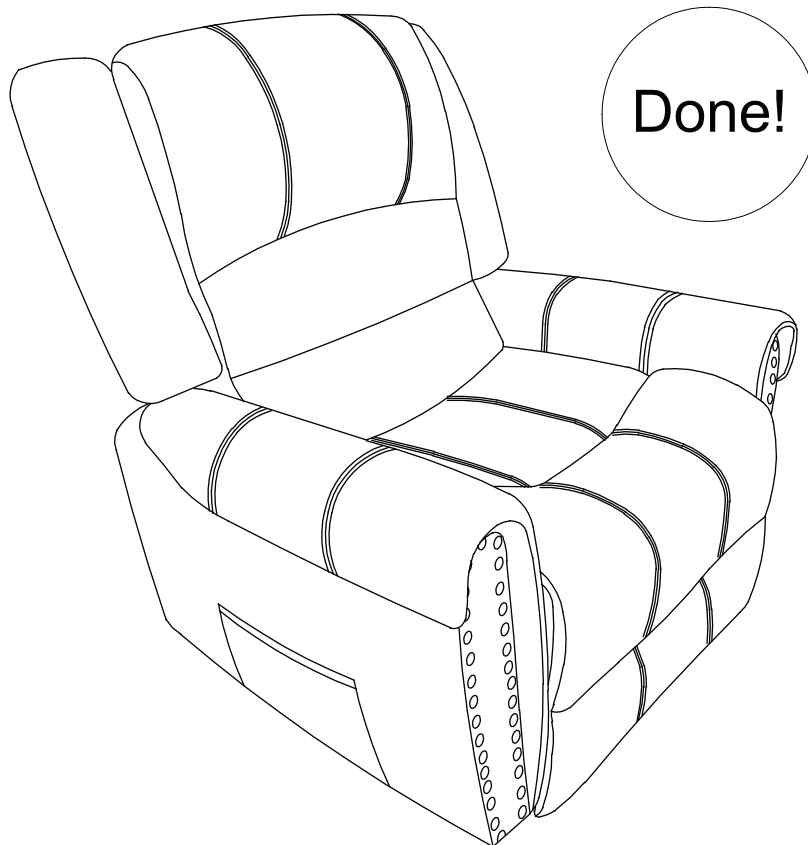
Step 7 Stick the velcro from the back frame to the seat frame.



## Step 8



## Step 9

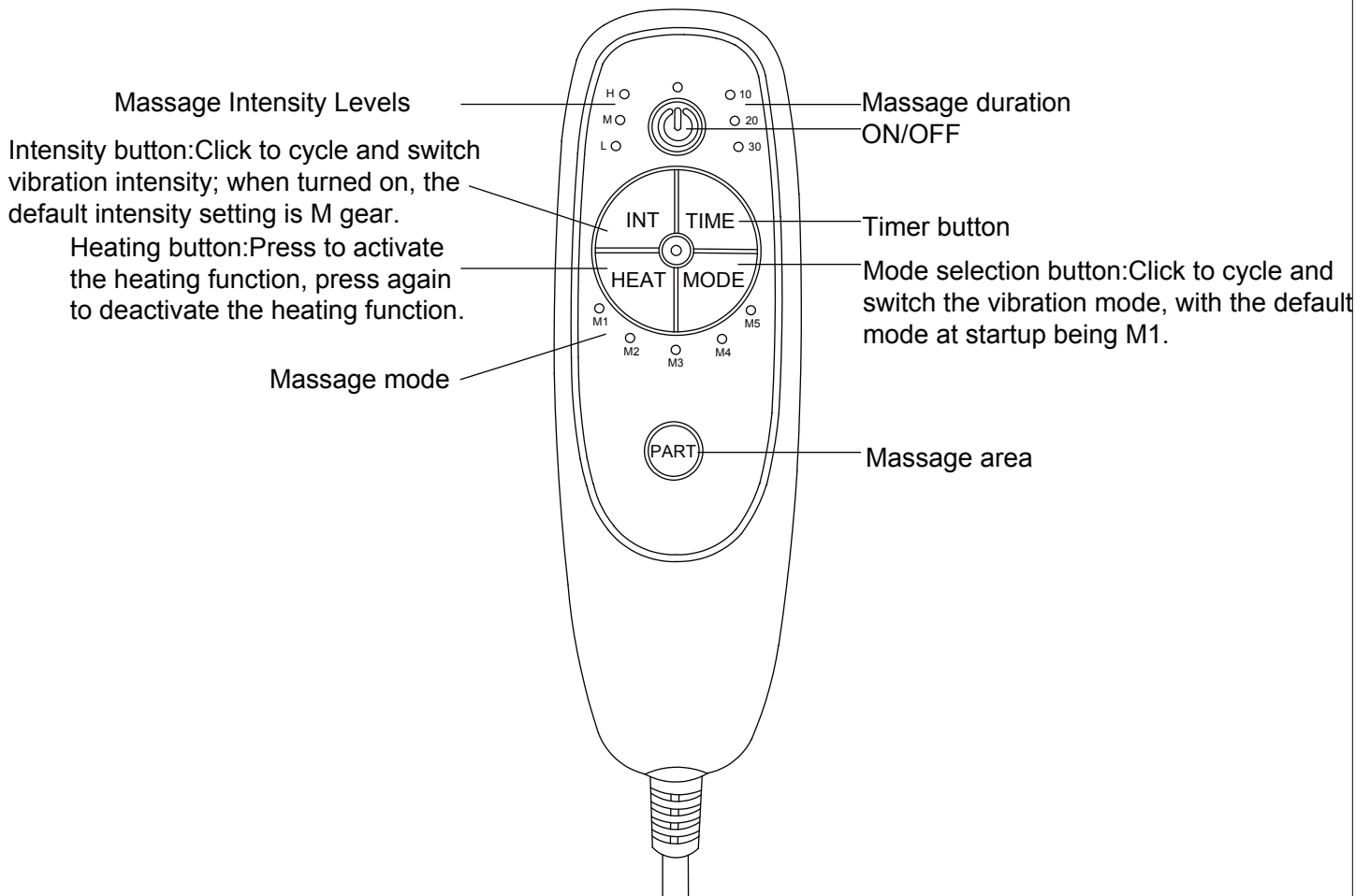


# MASSAGE CHAIR

READ ALL INSTRUCTIONS  
BEFORE USING THE ITEM

## REMOTE CONTROL

### Function of remote



## I 、 Specifications of power adapter

The power is on in the standby state. The user can activate the function via the hand controller.

Input:AC100-240V,50Hz/60HZ;Output:DC12V1A.

## II 、 Product features

- 1、 8 points massage
- 2、 One-way switch for independent heating plate operation
- 3、 Three-segment timing, with a default shutdown time of 10 minutes.
- 4、 Three levels of vibration intensity
- 5、 5 vibration modes

## III、 Function details

- 1、 Switch on and off
- 2、 TIME: Cycling through massage durations (10/20/30 min). Default startup is 10 minutes.
- 3、 MODE: Tap the five vibration modes to switch (M1/M2/M3/M4/M5). The default startup mode is M4.
- 4、 INT: Switch intensity by vibration strength (H/M/L). Default startup is M (medium).
- 5、 HEAT: Click to toggle heating.
- 6、 PART: Vibration positioning key. Default startup is full vibration; tap to switch to single-part vibration.
- 7、 Massage Intensity Levels
- 8、 Massage duration
- 9、 Massage mode