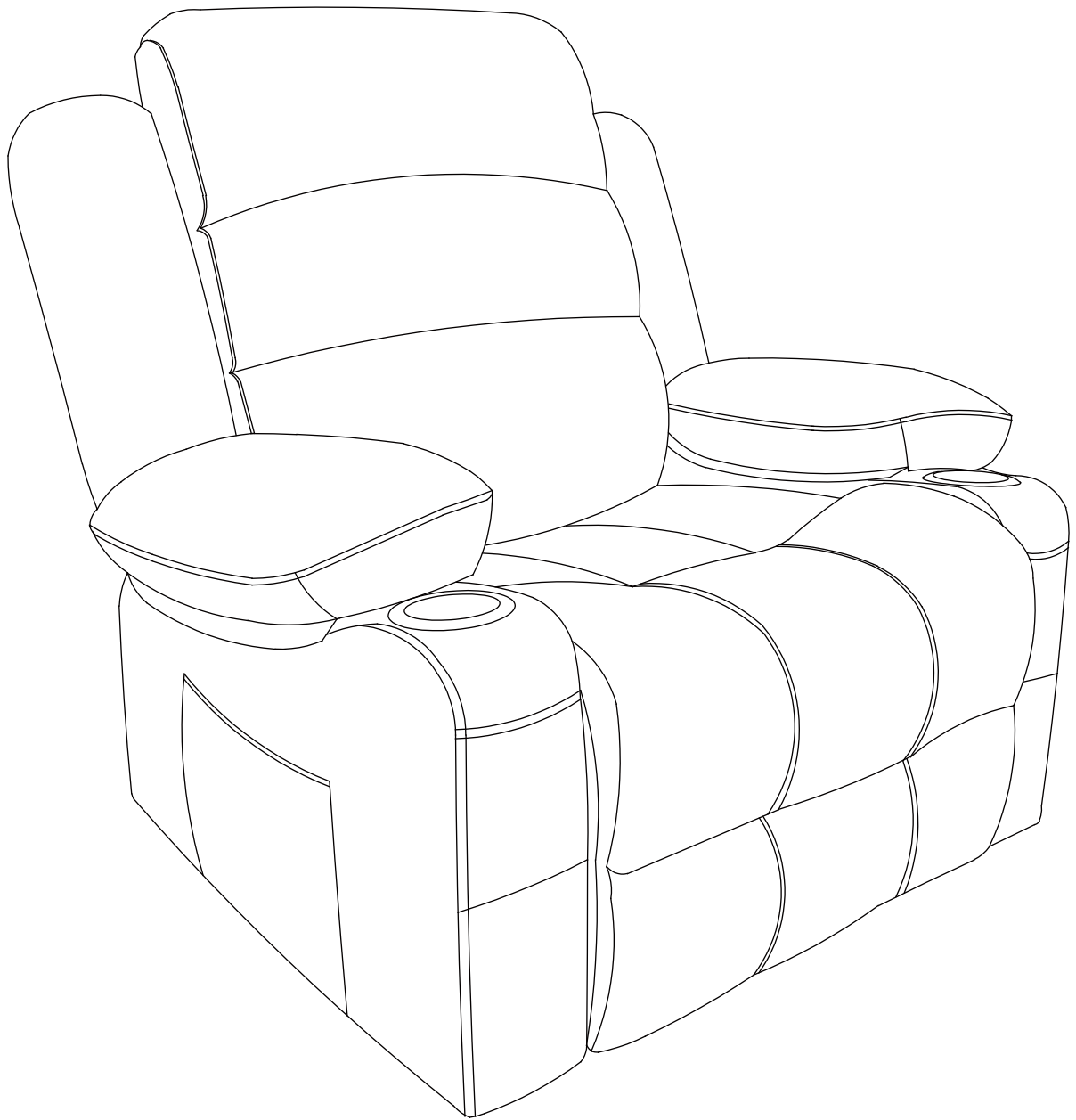


Assembly Manual

SWIVEL ROCKER RECLINER

1257-2-GSM

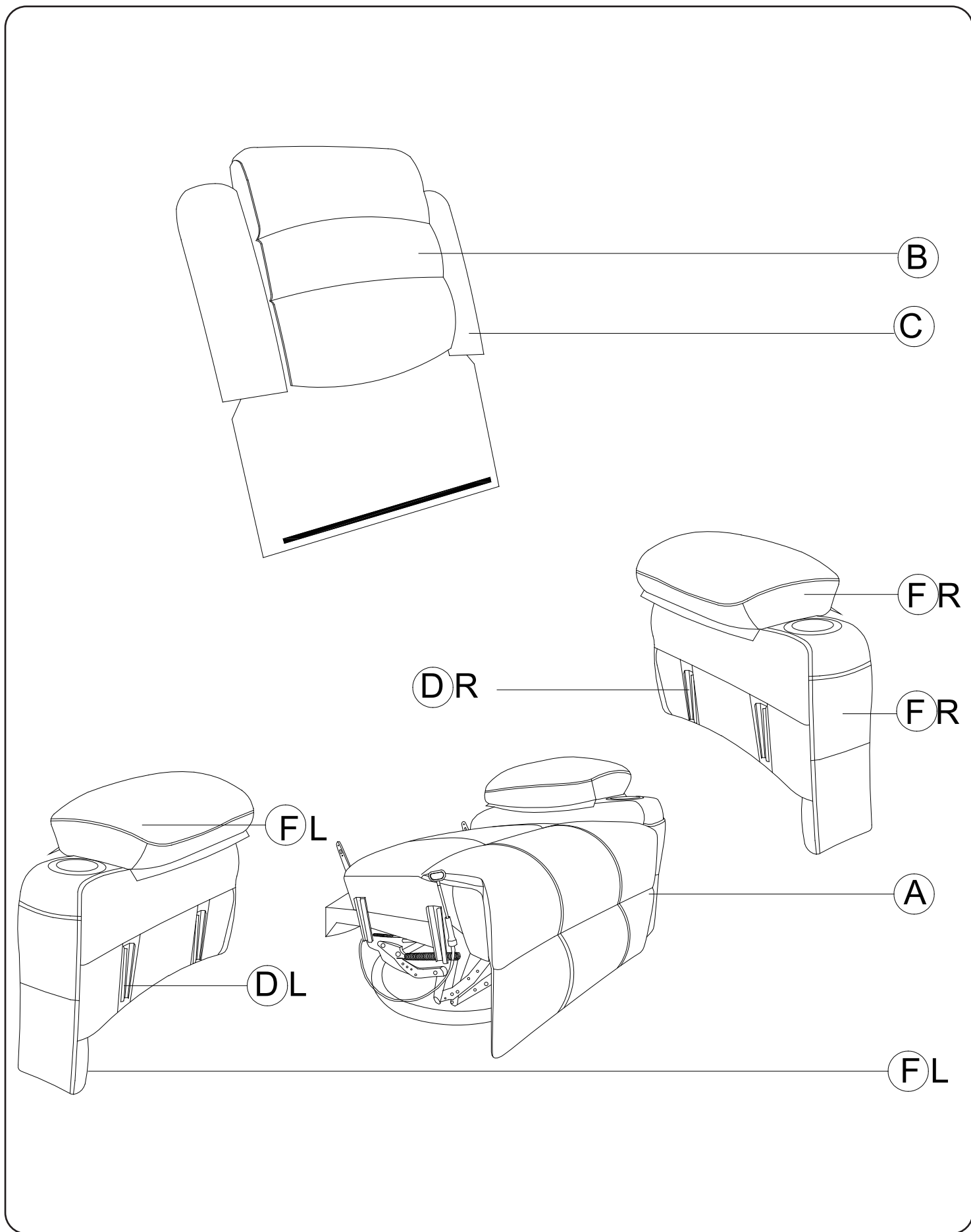


Please read this manual carefully before any operation and keep it properly for future use.

Customer Service: WefuyService@outlook.com

Edition: 202308251450S

Exploded View



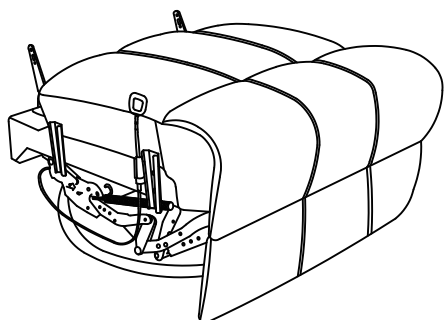
Components List

20min

Assemble Time

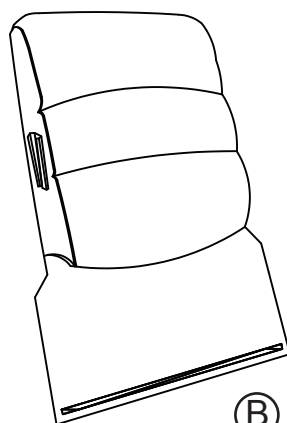


One People



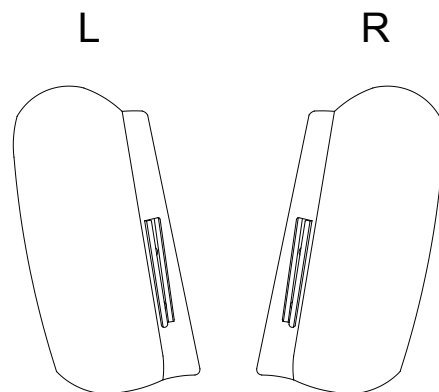
Seat

Ⓐ *1



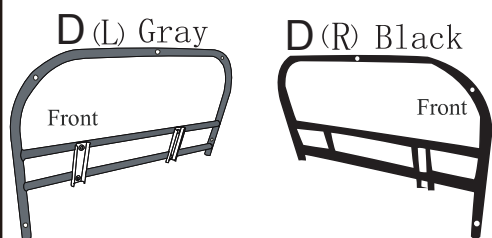
Back

Ⓑ *1

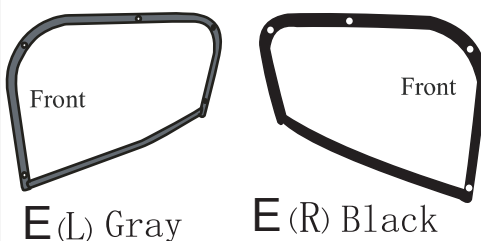


Dorsal ear

Ⓒ *1

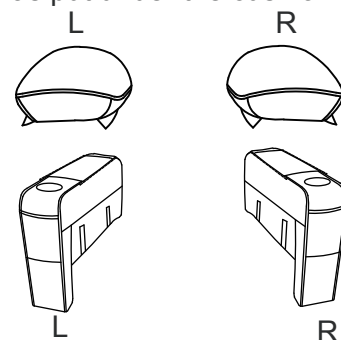


Handrail iron frame Ⓓ *2

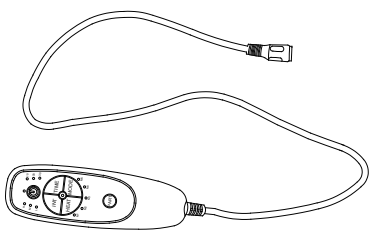


Handrail iron frame Ⓔ *2

It was put under the cushion

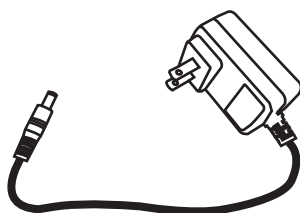


Handrail bag and iron frame cover Ⓕ *4



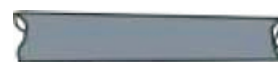
Massager remote control board

Ⓖ *1



Massager power supply





Ⓗ *1



Armrest pillar

Ⓘ *10

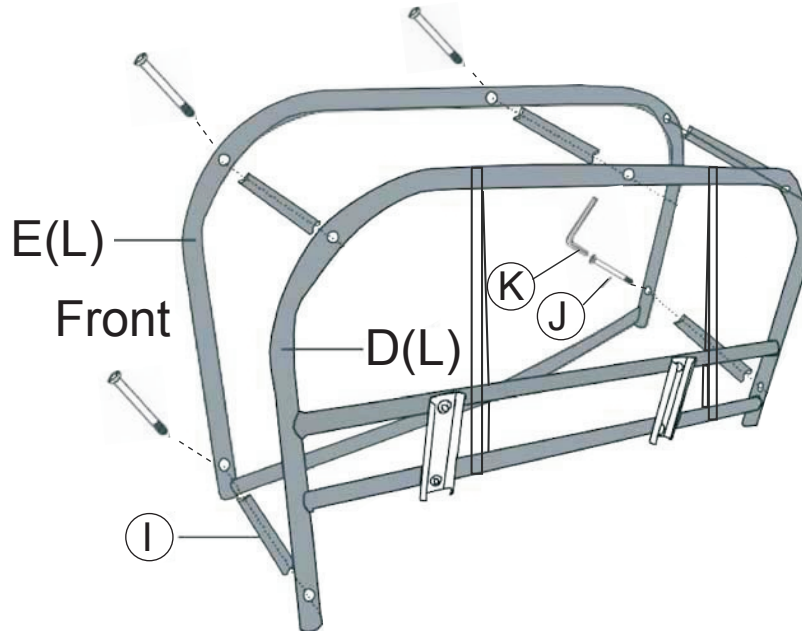
Components List

 <p>Large flat head hexagonal M6 * 130mm</p> <p>ⓐ *10</p>	 <p>Spanner</p> <p>ⓑ *1</p>	 <p>Glove</p> <p>ⓒ *1</p>
 <p>Cup holder</p> <p>ⓓ *2</p>	<p>spare</p>  <p>2pcs</p> <p>Handrail round pipe plug</p>	

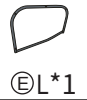
Assembly Instruction

Step 1

Use spanner K and screw J to pin the inner iron frame D and the armrest pillar I to the outer frame E of the armrest . Tighten all screws , and please pay attention to distinguishing the front and back of the armrest frame.

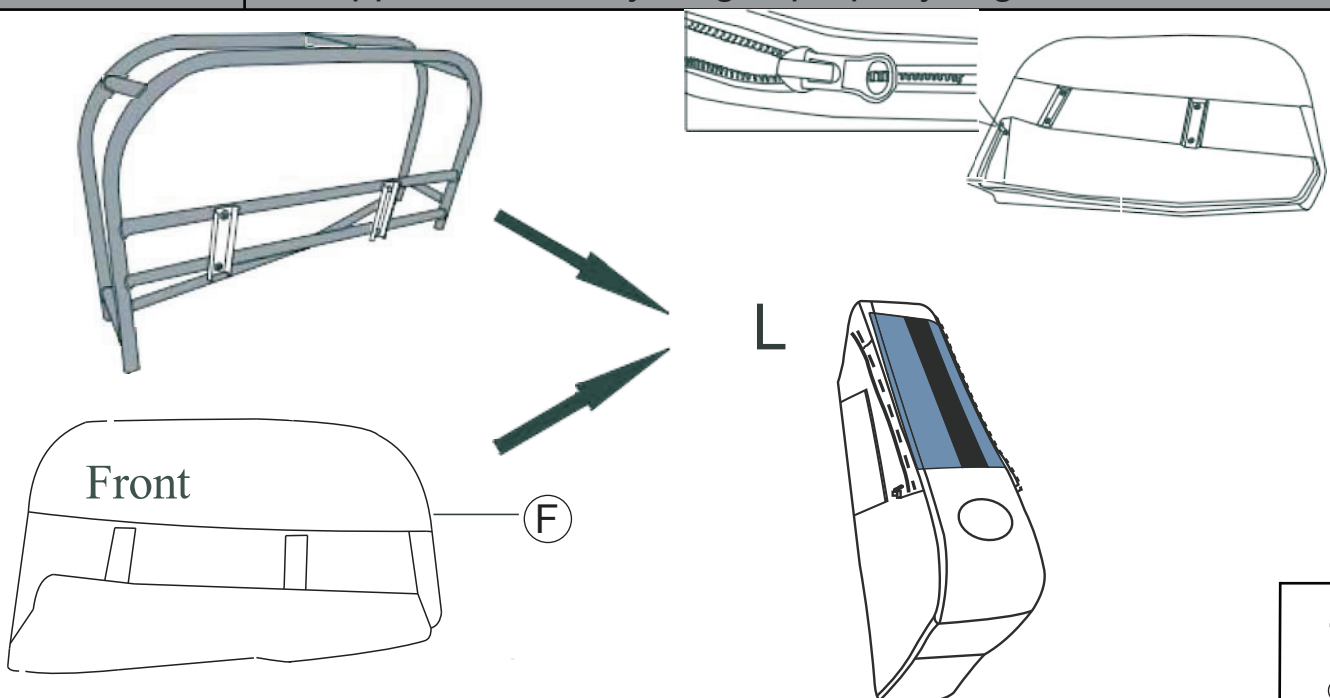


(L) Grey



Step 2

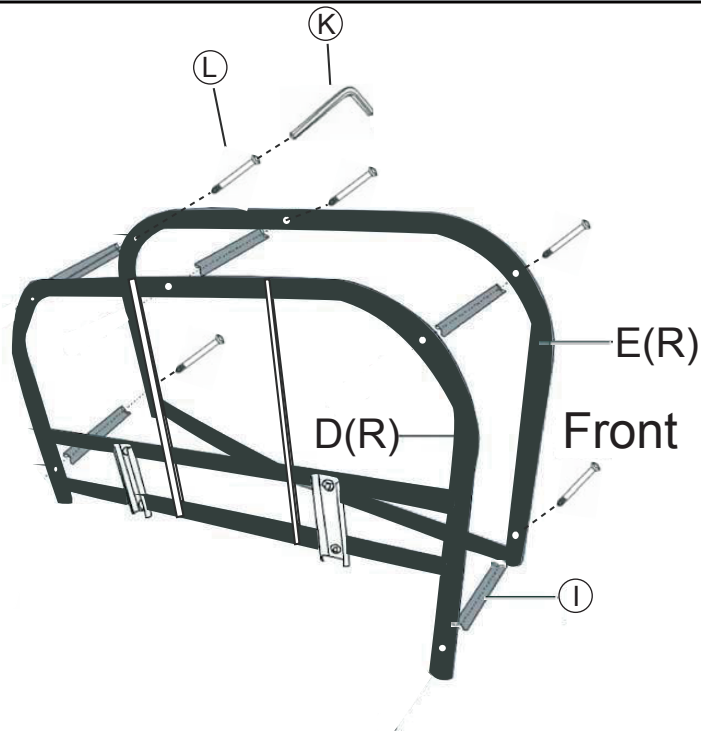
Align the armrest cover with the assembled iron frame of the armrest , in the sequence of left to right , and back to front , so that the hole in the cloth cover aligns with the insert hole . Close the zipper once everything is properly aligned.



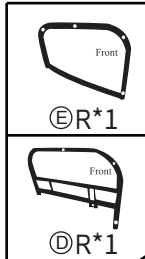
Assembly Instruction

Step 3

Repeat Step 1.

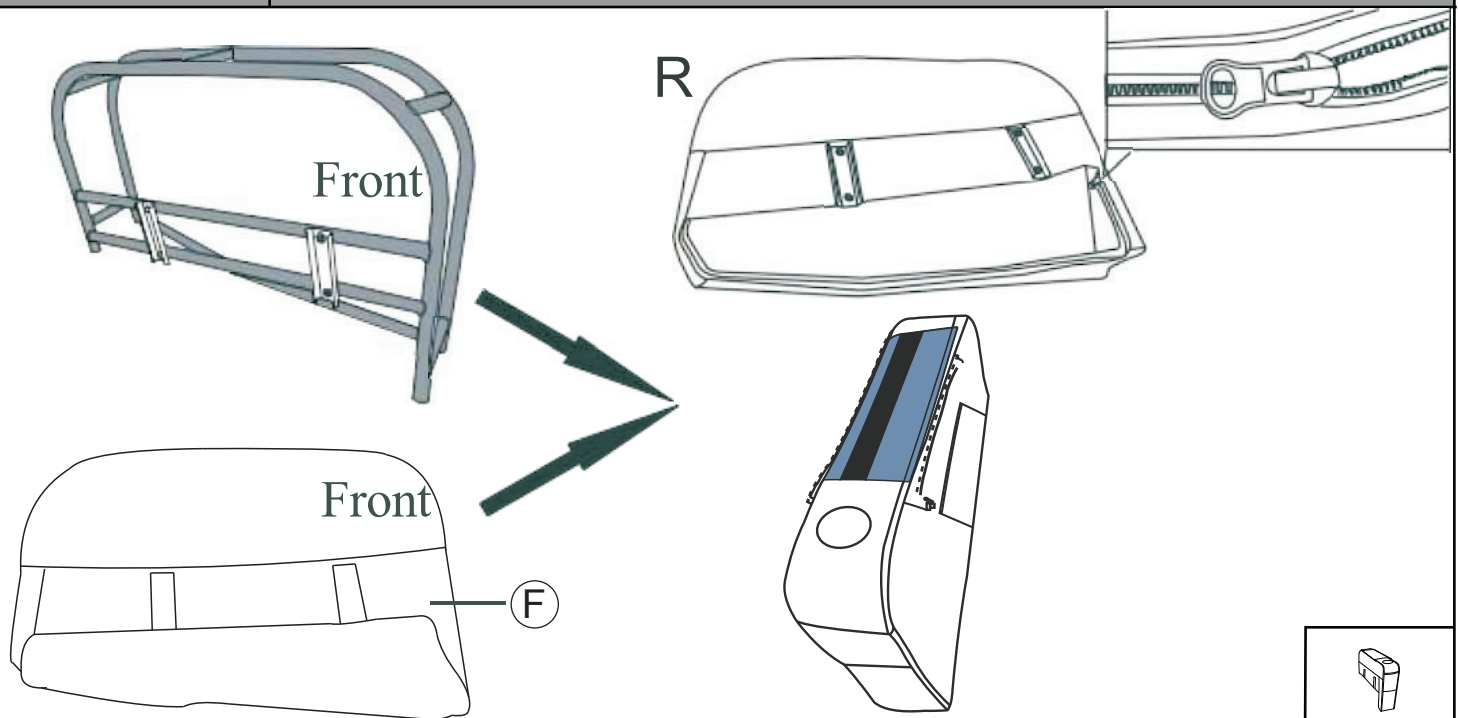


(R) Grey



Step 4

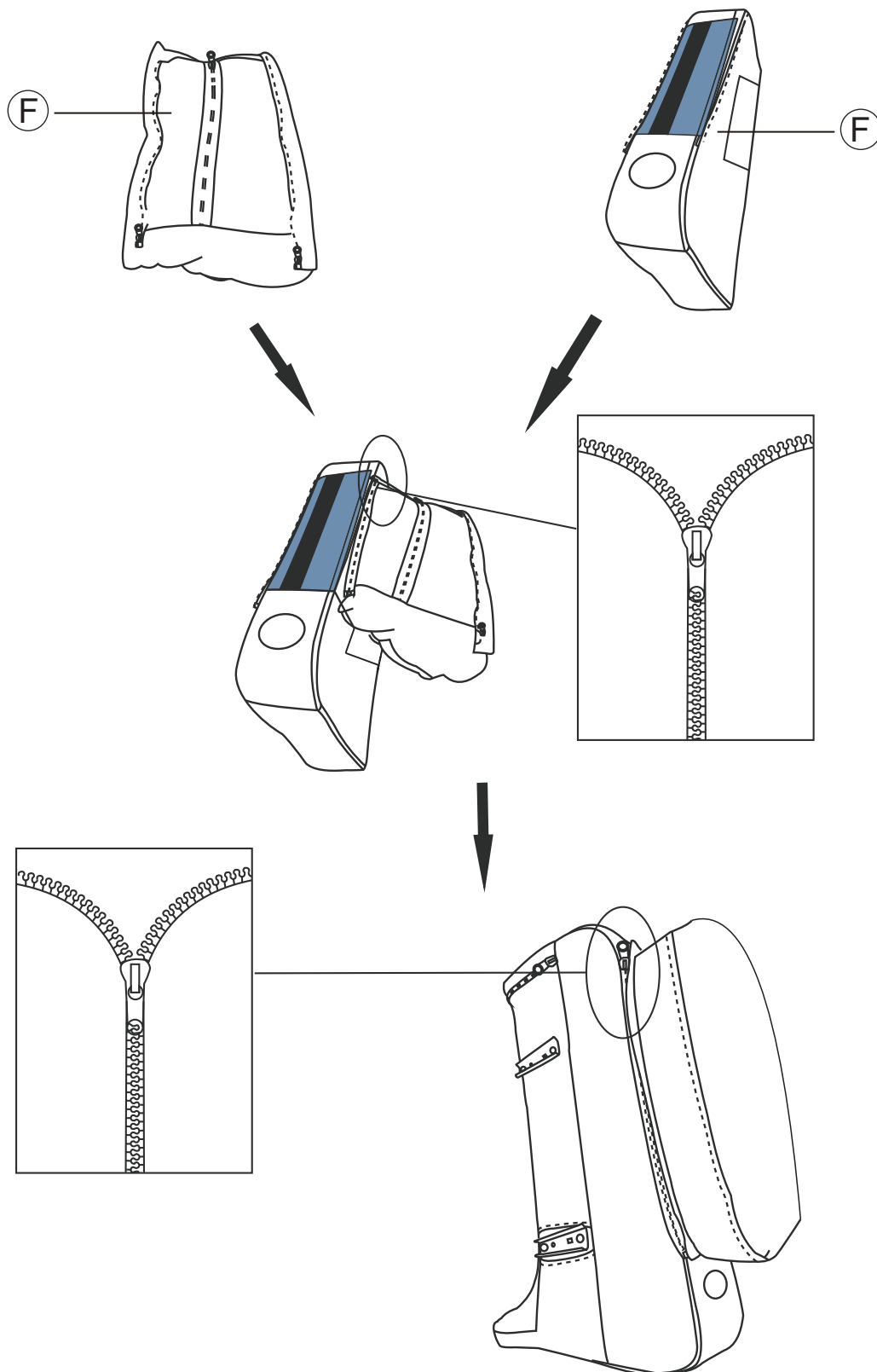
Repeat Step 2.



Assembly Instruction

Step 5

Please zip up both sides of the arm cushion.

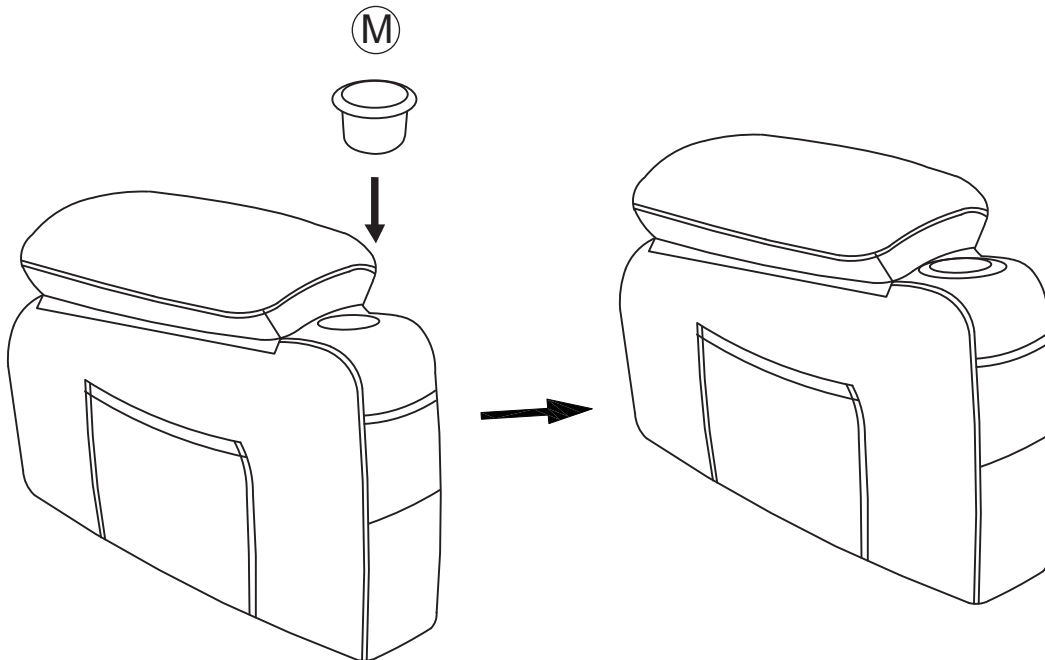


F*2

Assembly Instruction

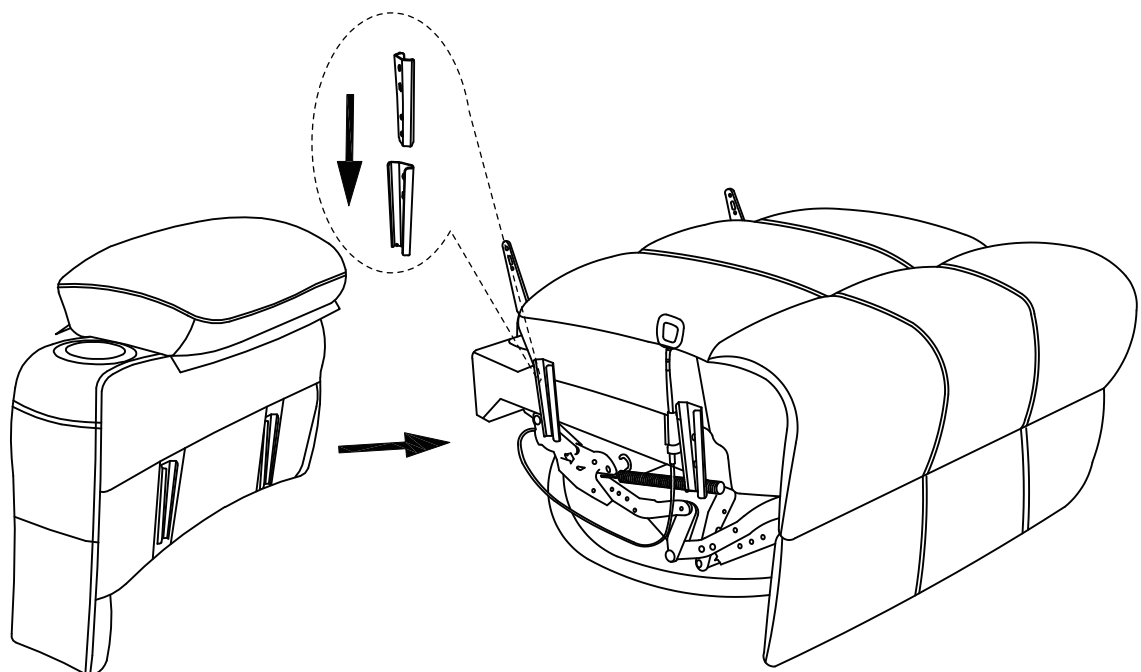
Step 6

Install the armrest cup holder M



Step 7

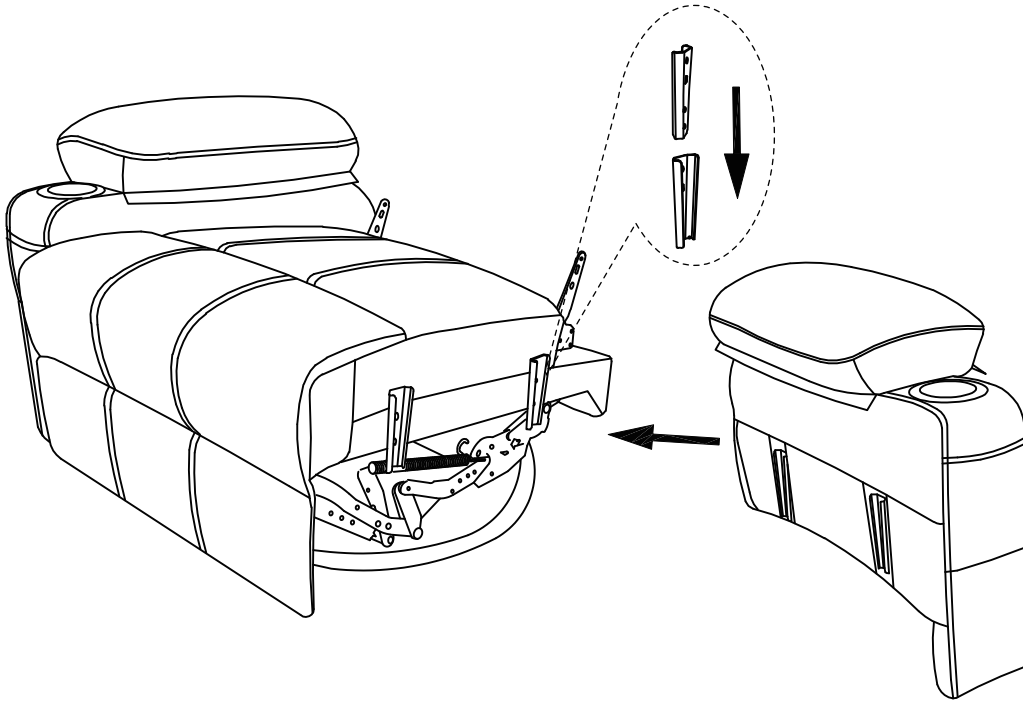
Insert the arms into the seat in a way that they fit properly .
You will hear a click when they are securely engaged.



Assembly Instruction

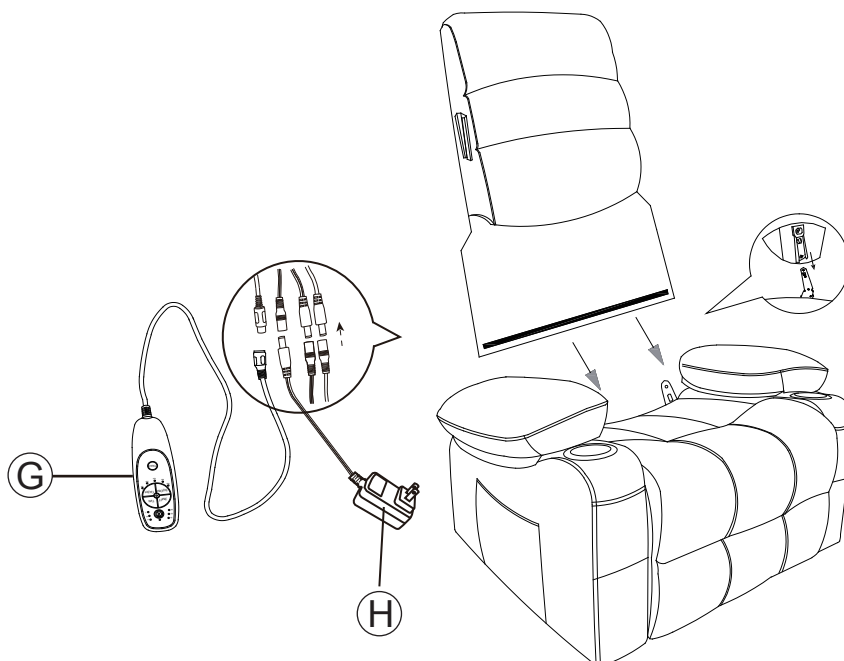
Step 8

Repeat Step 7.



Step 9

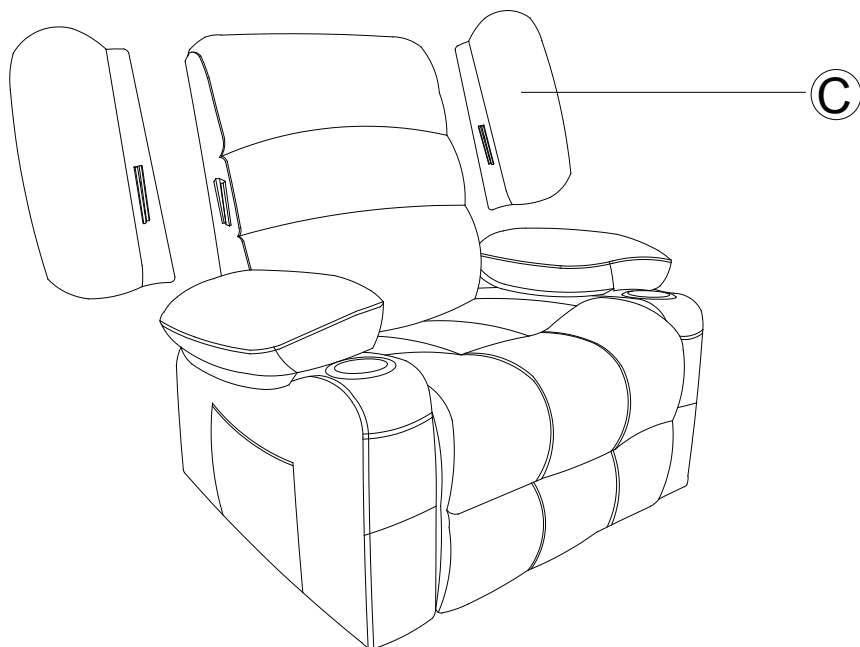
Plug the back pad into the seat frame, then connect the massager lines: white with white, red with red, black with the power lines, connect the massage line with the hand controller.



Assembly Instruction

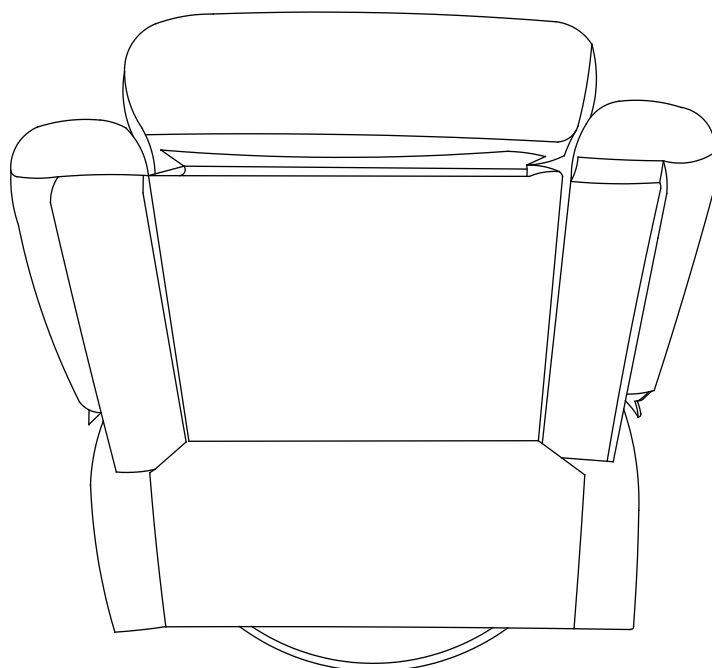
Step 10

Install the back ears on both sides of the backrest.



Step 11

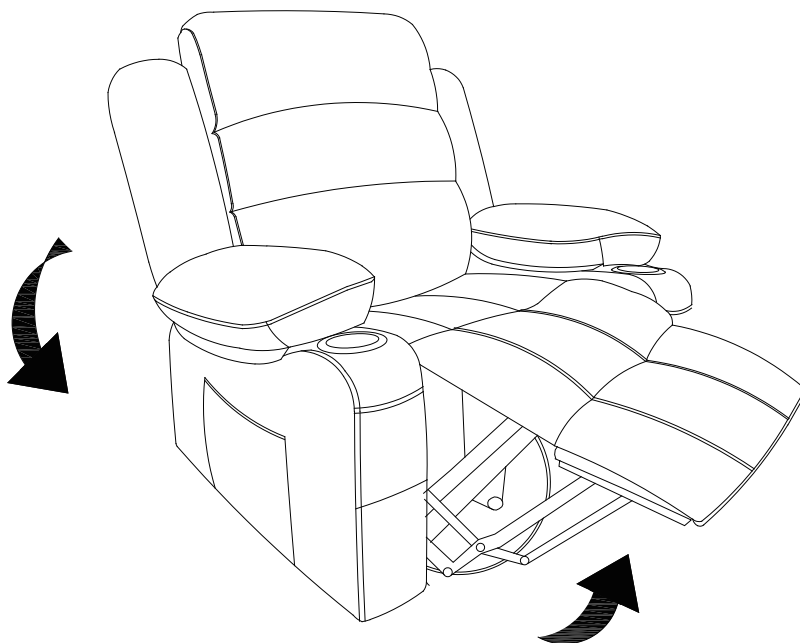
Stick the velcro from the back frame to the seat frame.



Assembly Instruction

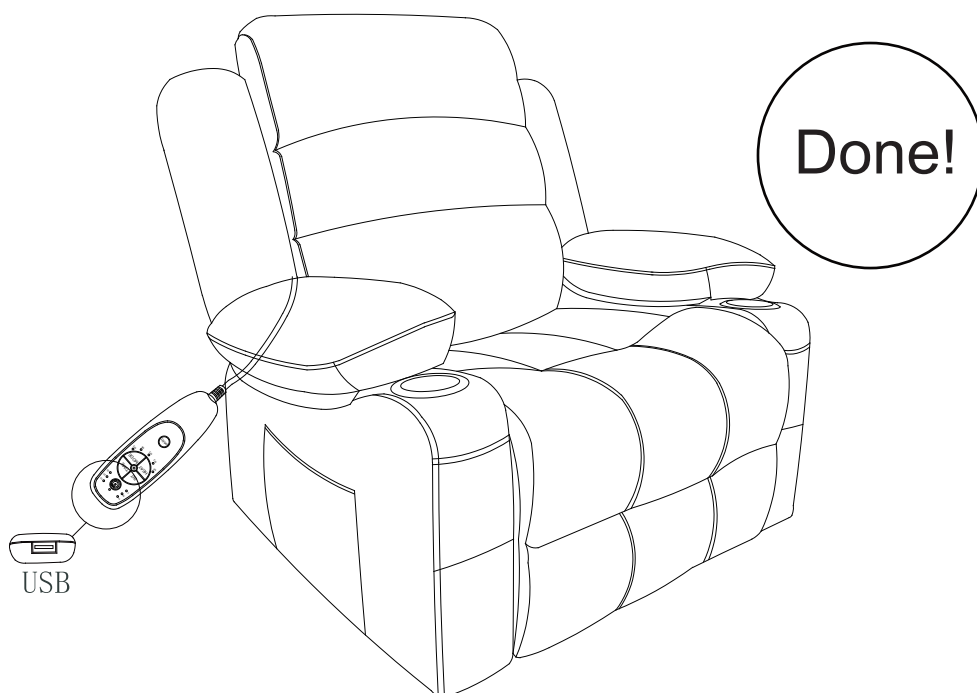
Step 12

Lift the chair.



Step 13

Lift the chair.

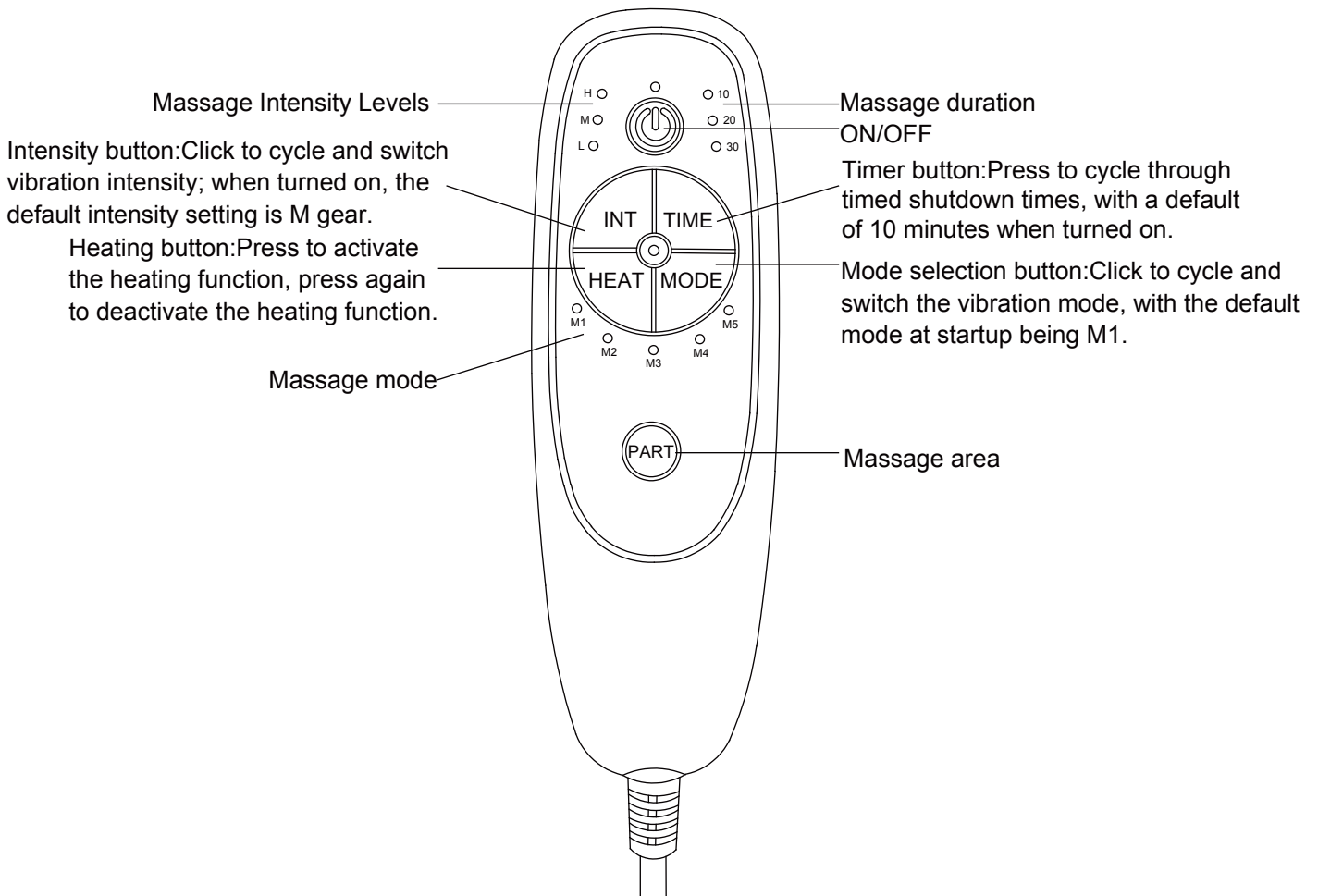


MASSAGE CHAIR

READ ALL INSTRUCTIONS

BEFORE USING THE ITEM

REMOTE CONTROL Function of remote



I 、 Specifications of power adapter

The power is on in the standby state. The user can activate the function via the hand controller.

Input:AC100-240V,50Hz/60HZ;Output:DC12V1A.

II 、 Product features

- 1、 8 points massage
- 2、 One-way switch for independent heating plate operation
- 3、 Three-segment timing, with a default shutdown time of 10 minutes.
- 4、 Three levels of vibration intensity
- 5、 5 vibration modes

III、 Function details

- 1、 Switch on and off
- 2、 TIME: Cycling through massage durations (10/20/30 min). Default startup is 10 minutes.
- 3、 MODE: Tap the five vibration modes to switch (M1/M2/M3/M4/M5). The default startup mode is M4.
- 4、 INT: Switch intensity by vibration strength (H/M/L). Default startup is M (medium).
- 5、 HEAT: Click to toggle heating.
- 6、 PART: Vibration positioning key. Default startup is full vibration; tap to switch to single-part vibration.
- 7、 Massage Intensity Levels
- 8、 Massage duration
- 9、 Massage mode