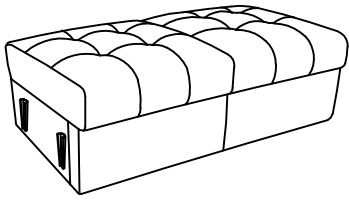


**INSTRUCTION MANUAL**  
**MODEL:1208**

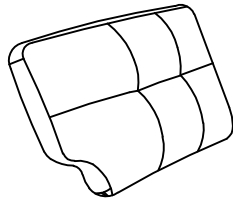
# Assembly Instruction

## PART LIST

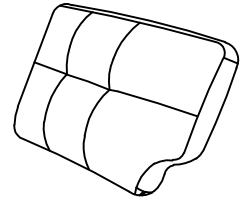
Ax1



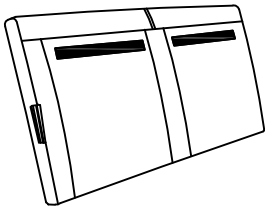
BxLx1



BxRx1



Cx1



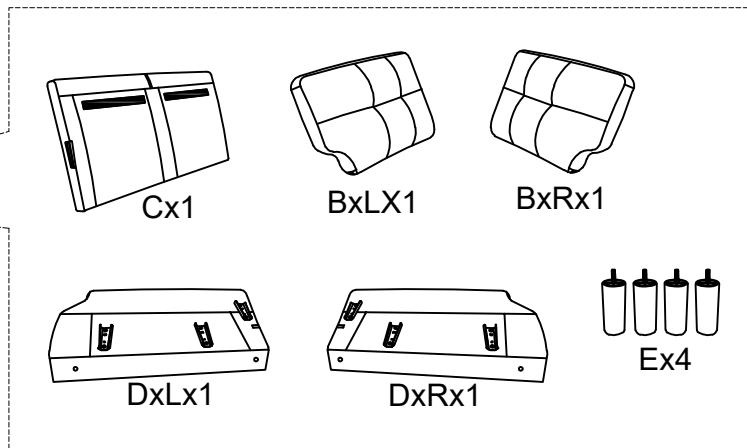
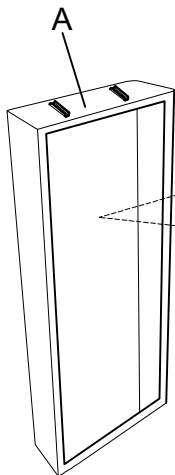
DxLx1



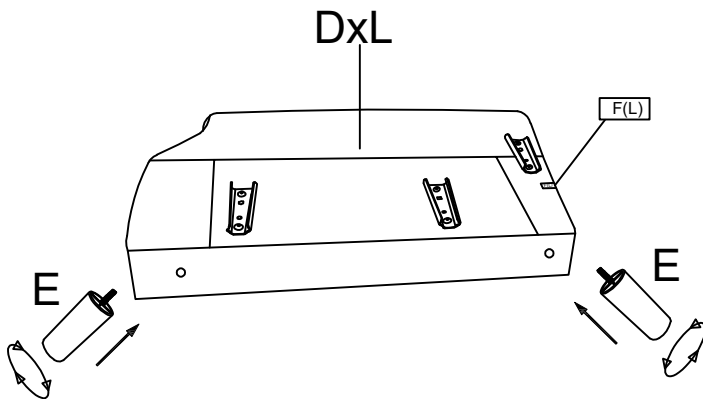
DxRx1



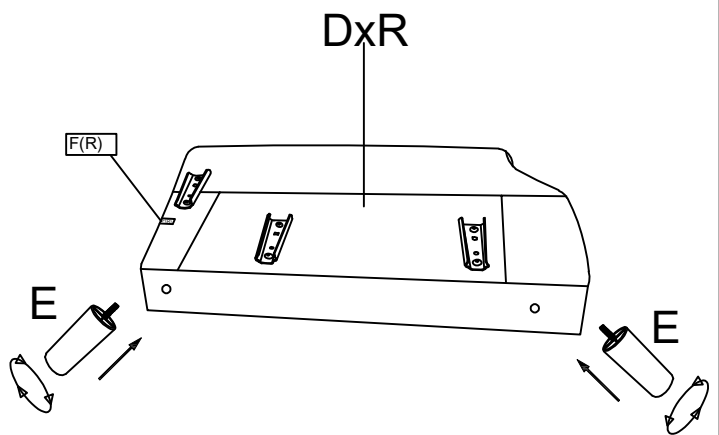
Ex4



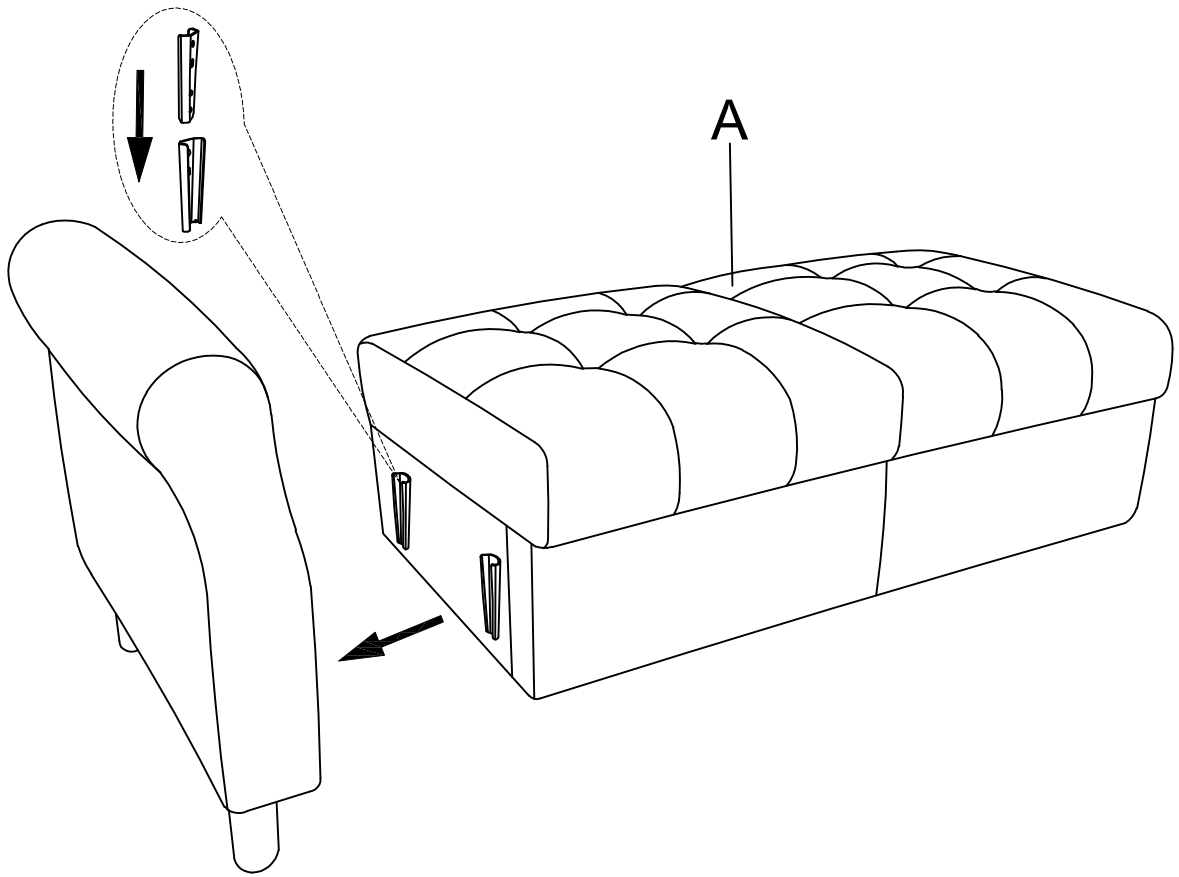
Step 1



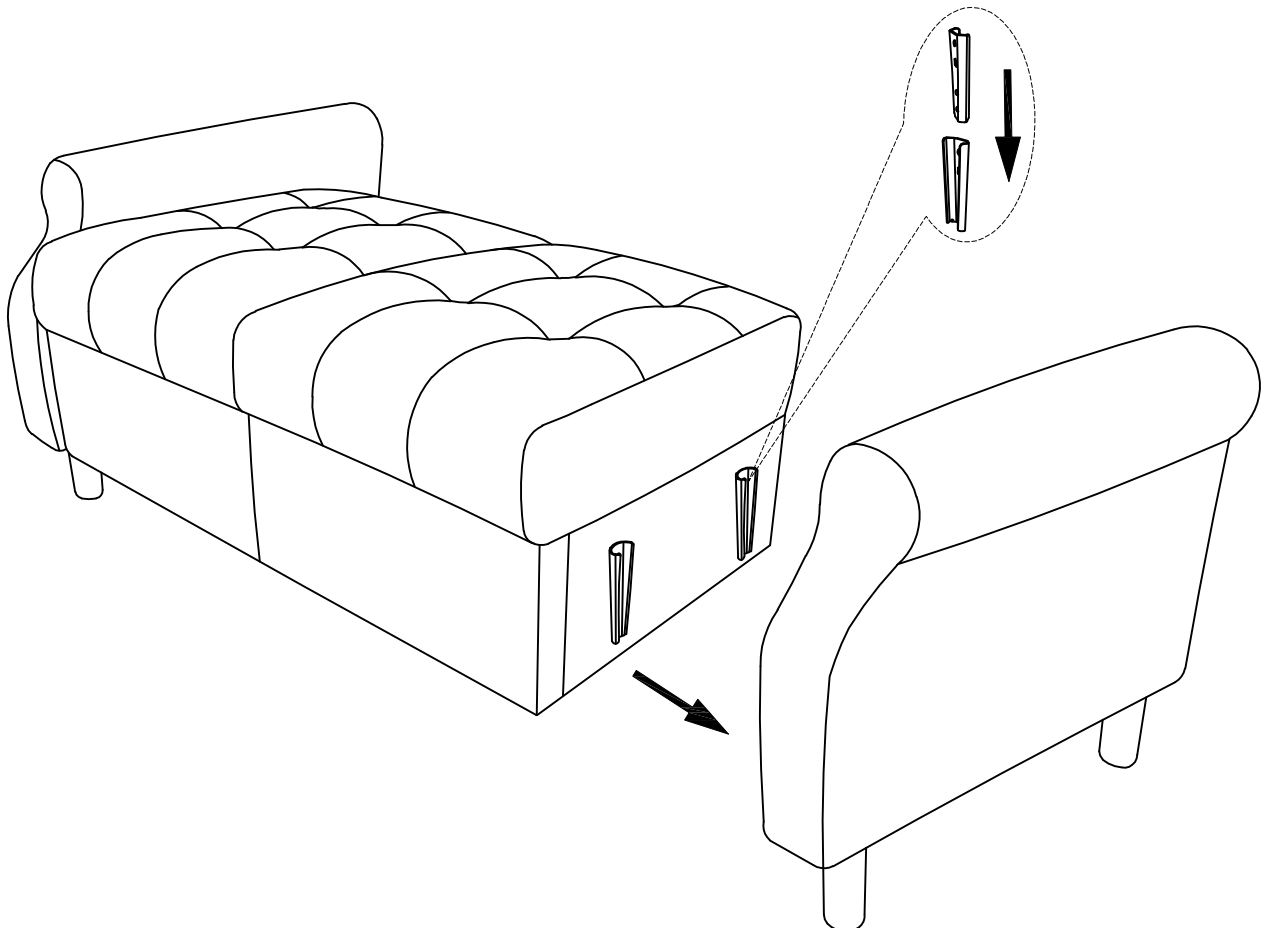
Step 2



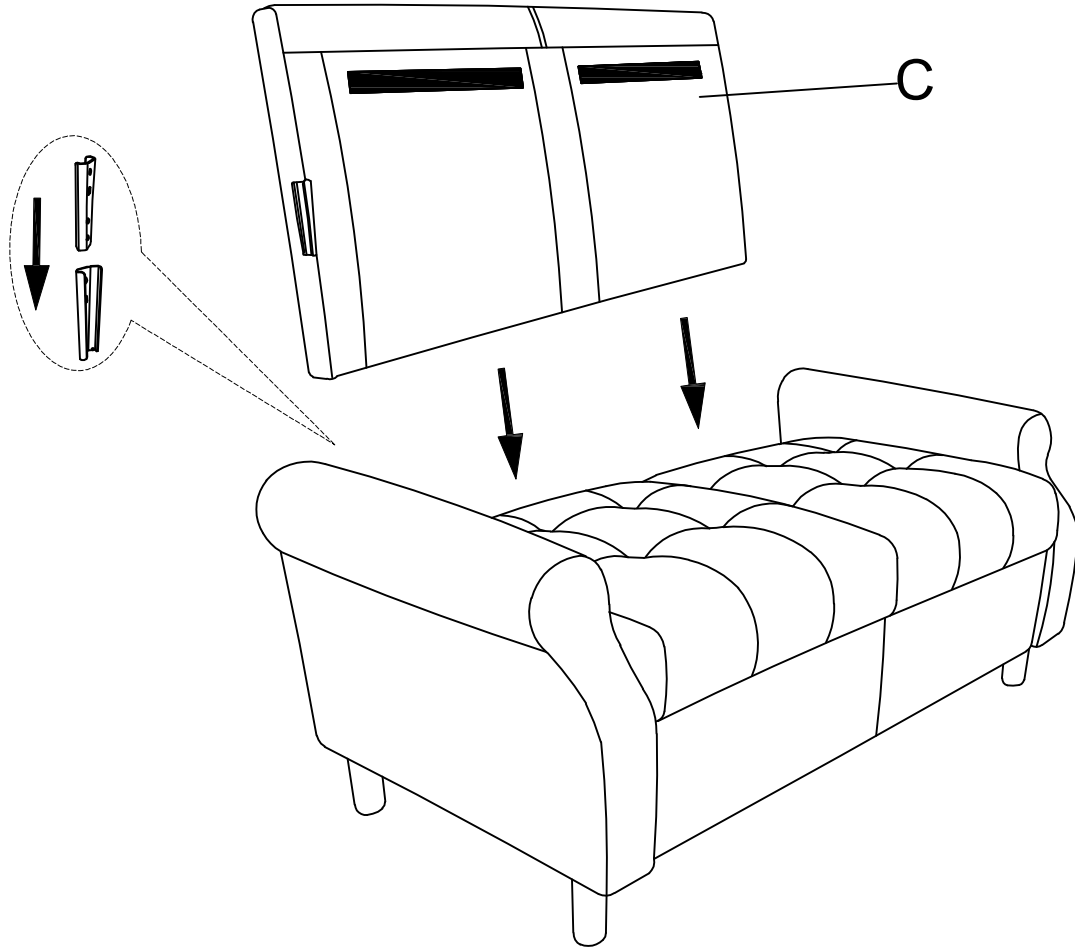
Step 3



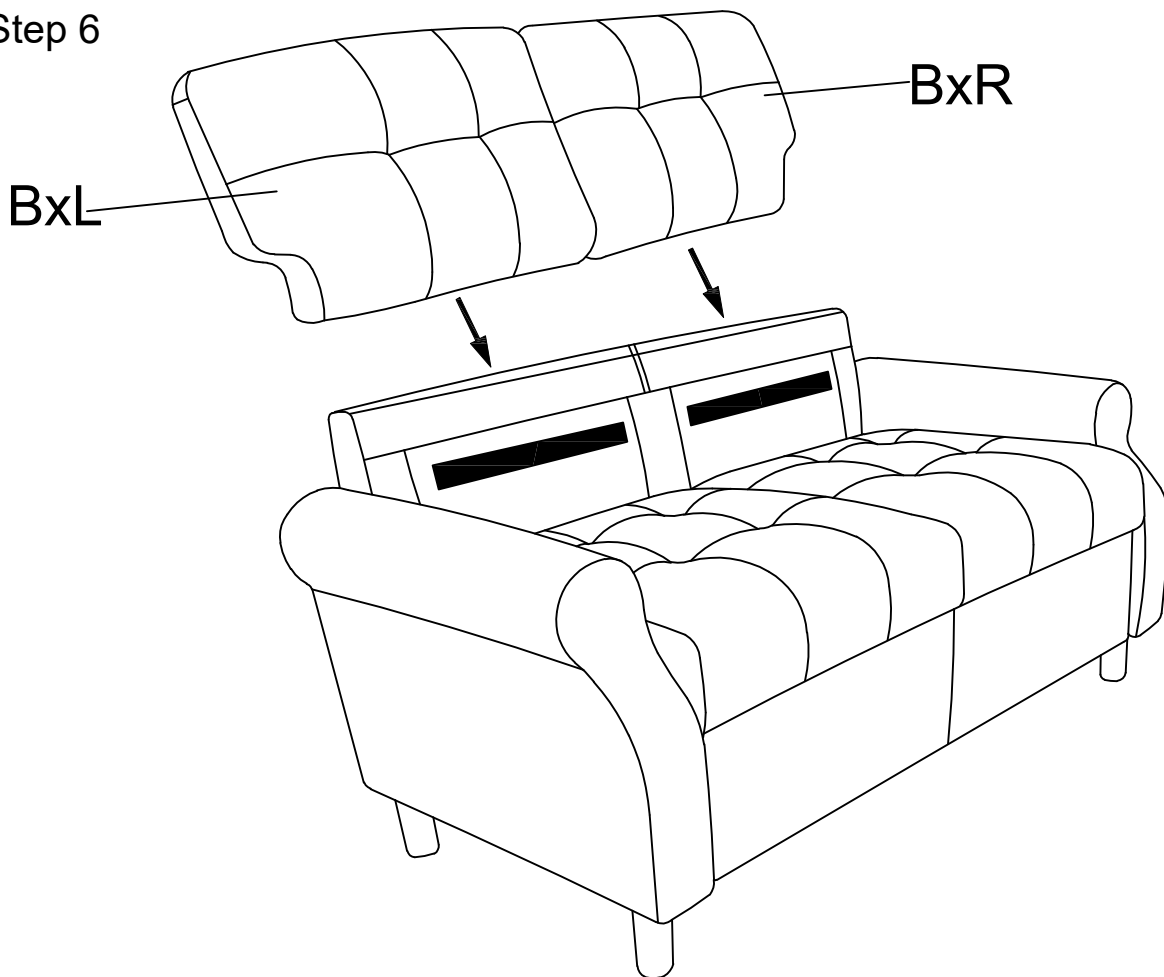
Step 4



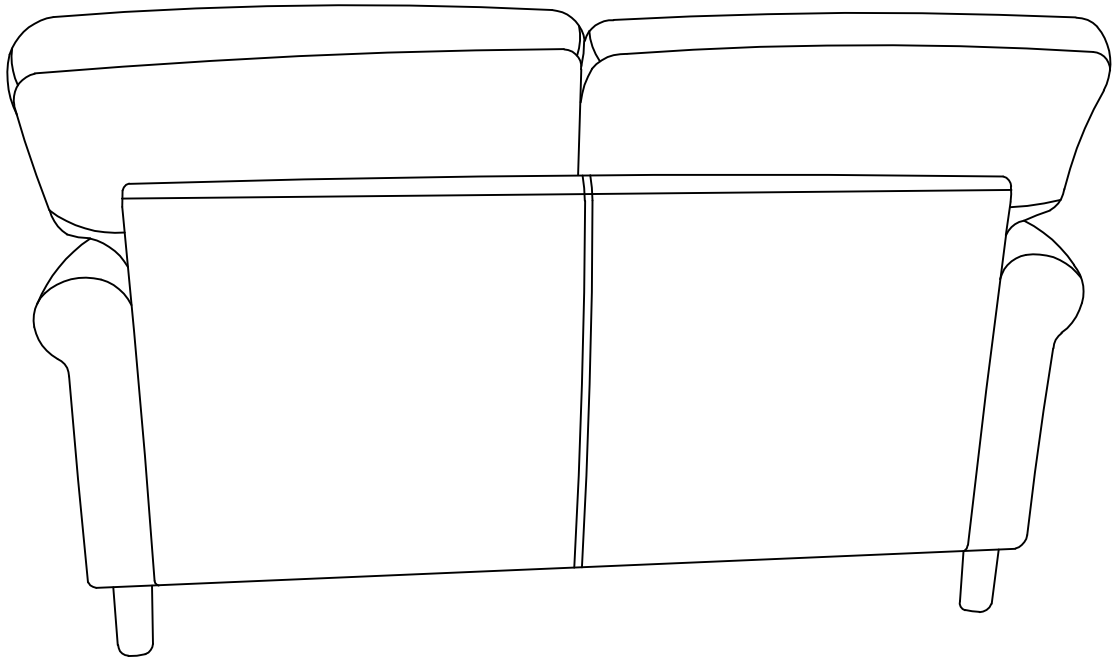
Step 5



Step 6



Step 7



Step 8

