

INSTALLATION INSTRUCTIONS

THANK YOU FOR CHOOSING OUR PRODUCTS!

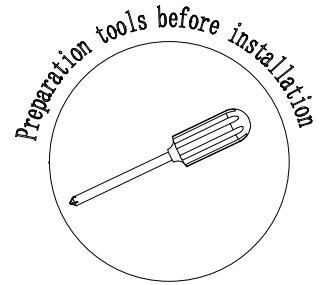
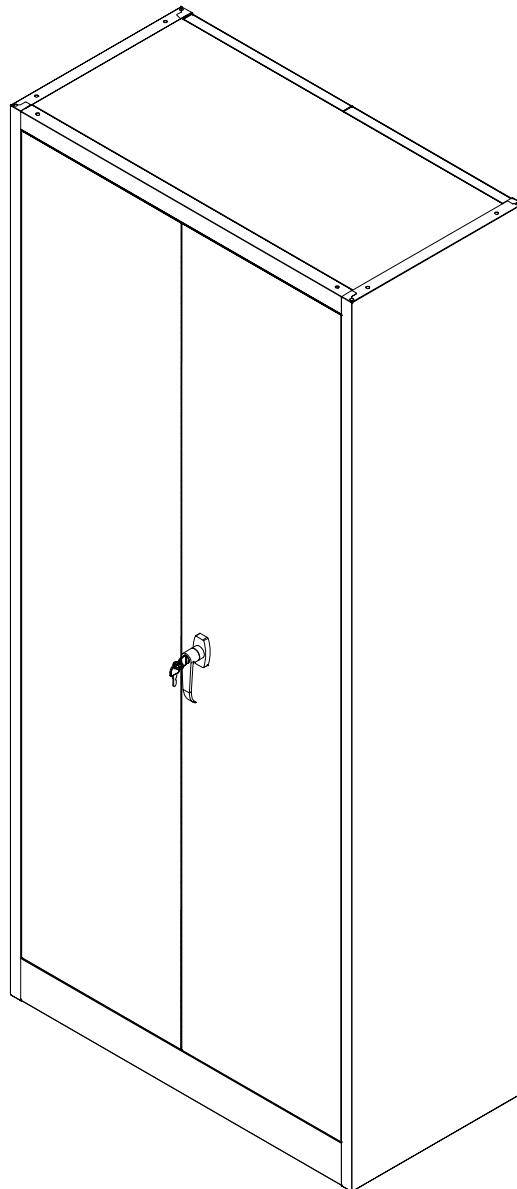
Before Assembly:

1. Please confirm the completeness of the components and the parts according to the Parts Diagram. If you have any question, Please contact with us on Amazon and our Professional Customer Service Team will approve all you need within 24 hours.
2. It's not too difficult to assemble, But it will be easier if there is another one assemble it with you.










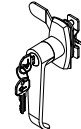

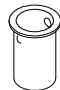



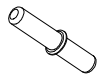


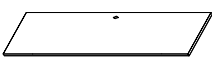

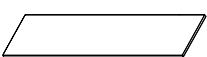


During Assemble:

1. Please pay attention that some components may be a little sharp, Take care.
2. During assembly, please fix the screws temporarily and tighten them at last.

Tips: You can also check videos of installation on Amazon.

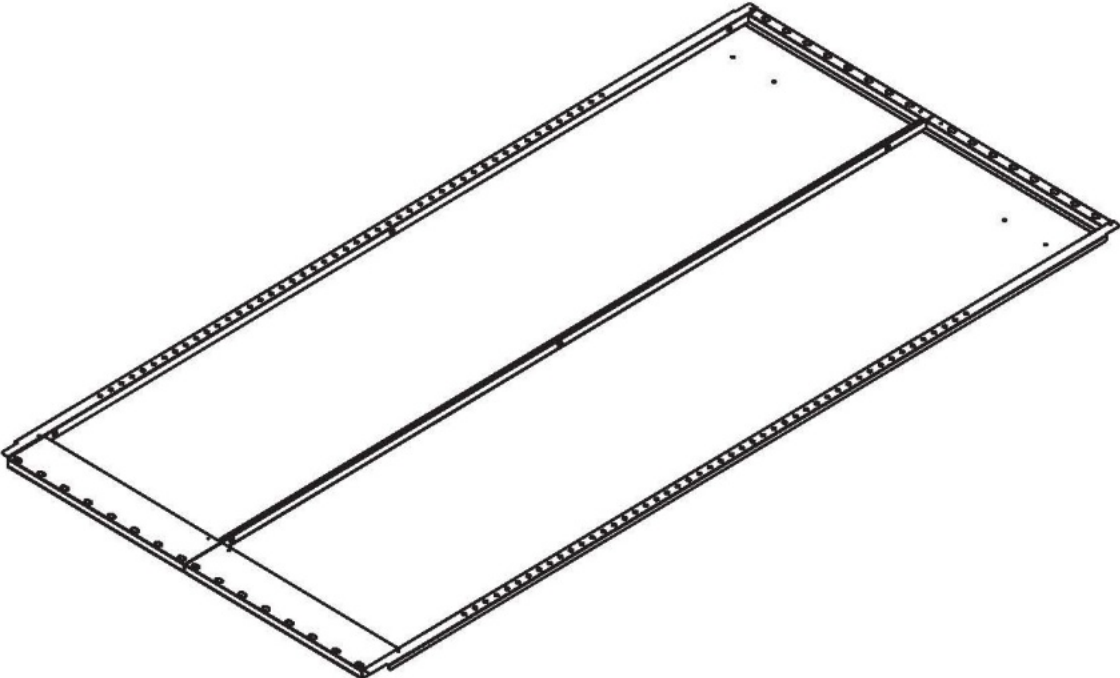
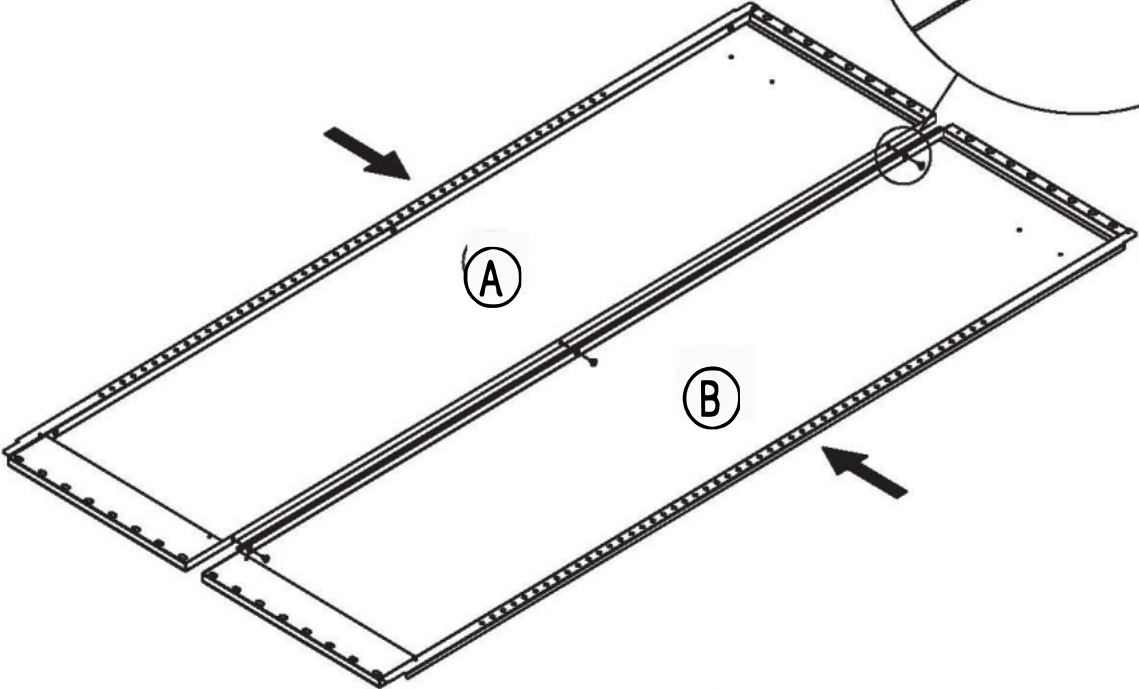
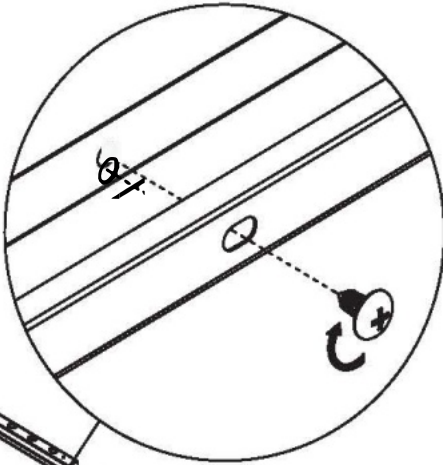


PART LIST

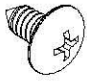
Name		Part	Qty	Name		Part	Qty
A	Left Hand Back		1	L	Wall		2
B	Right Hand Back		1	M	Wall		2
C	Left Hand Side		1	N	Screw		24+2
D	Right Hand Side		1	O	Shelf Support		16
E	Kick Plate		1	P	Lock		1
F	Bottom		1	Q	Plastic Rod holder		2
G	Top Rail		1	R	Rod		2
H	Top Panel		1	S	Door Pivot Pin		2
I	Shelves		1	T	Shim		4
G	Right Hand Door		1	U	buffer pad		2
K	Left Hand Door		1	V	Install self working wire for Plastic foot nails		16+2
			1	W	Plastic foot nails		4

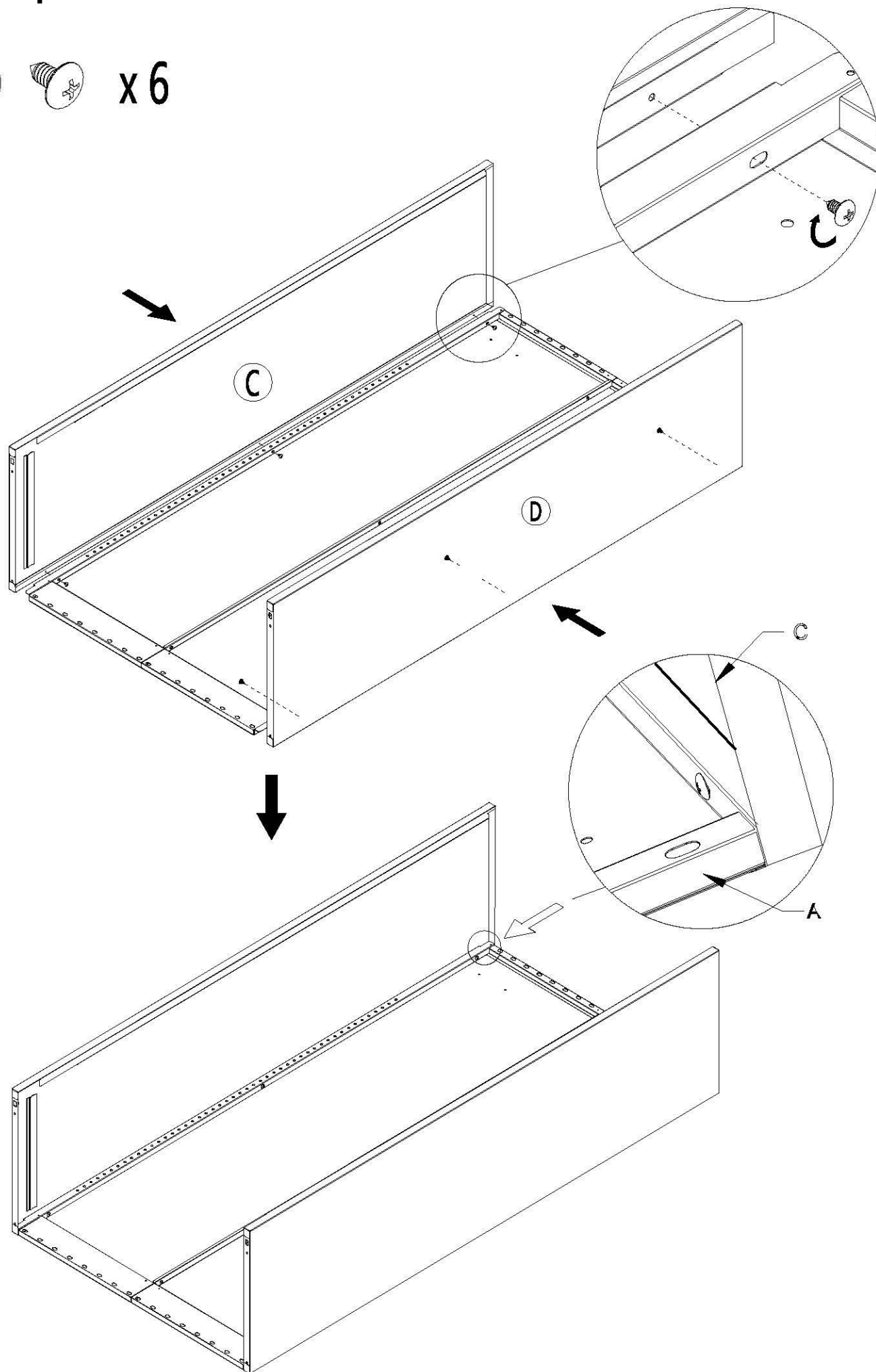
Step1

(N)  x3



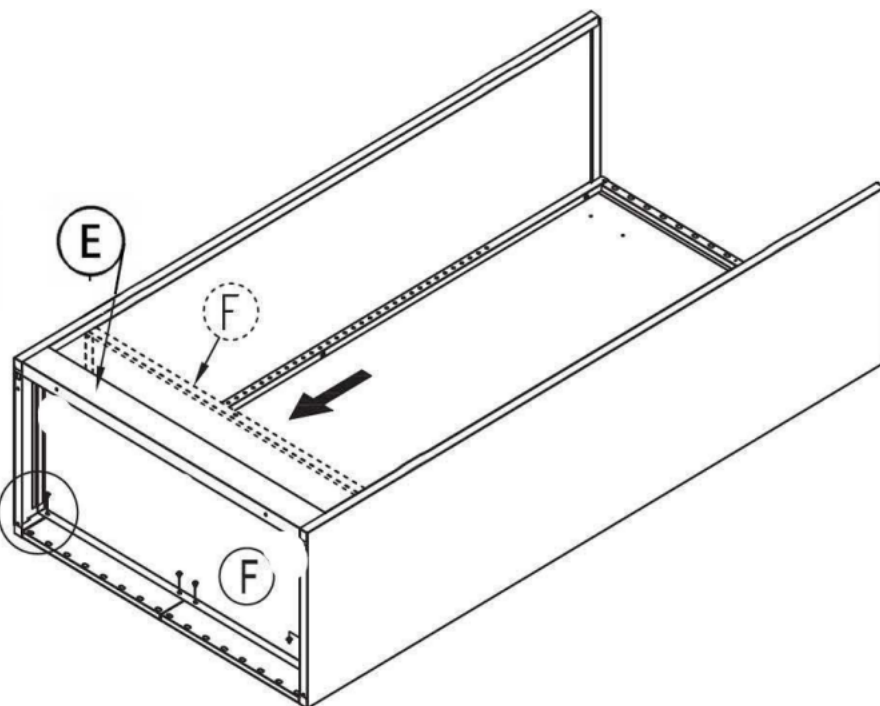
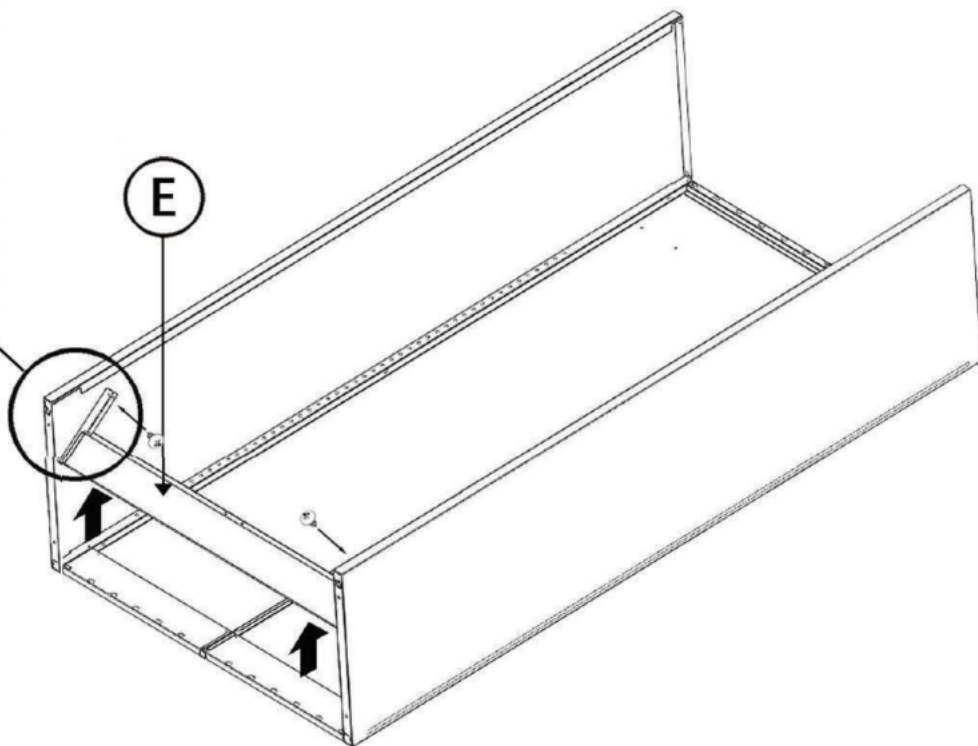
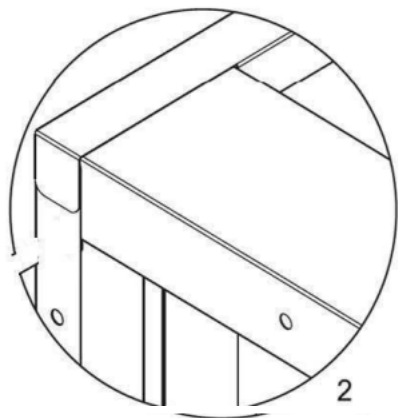
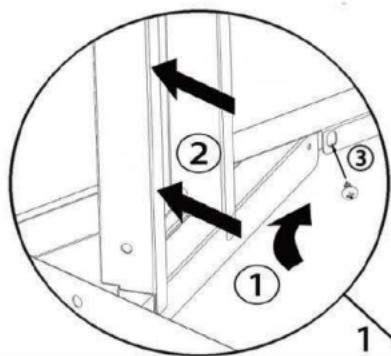
Step 2

(N)  x 6



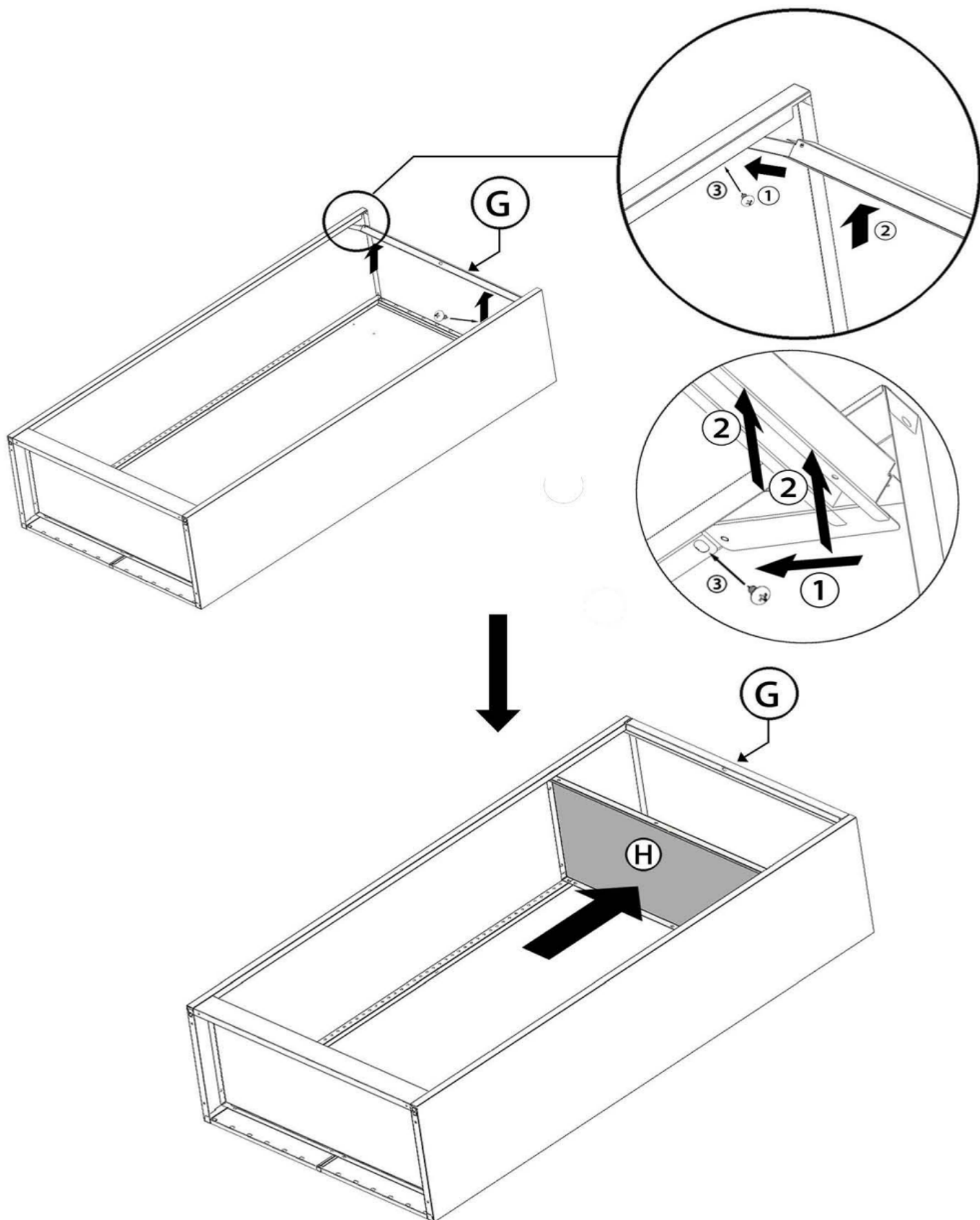
Step3

(N)  X6



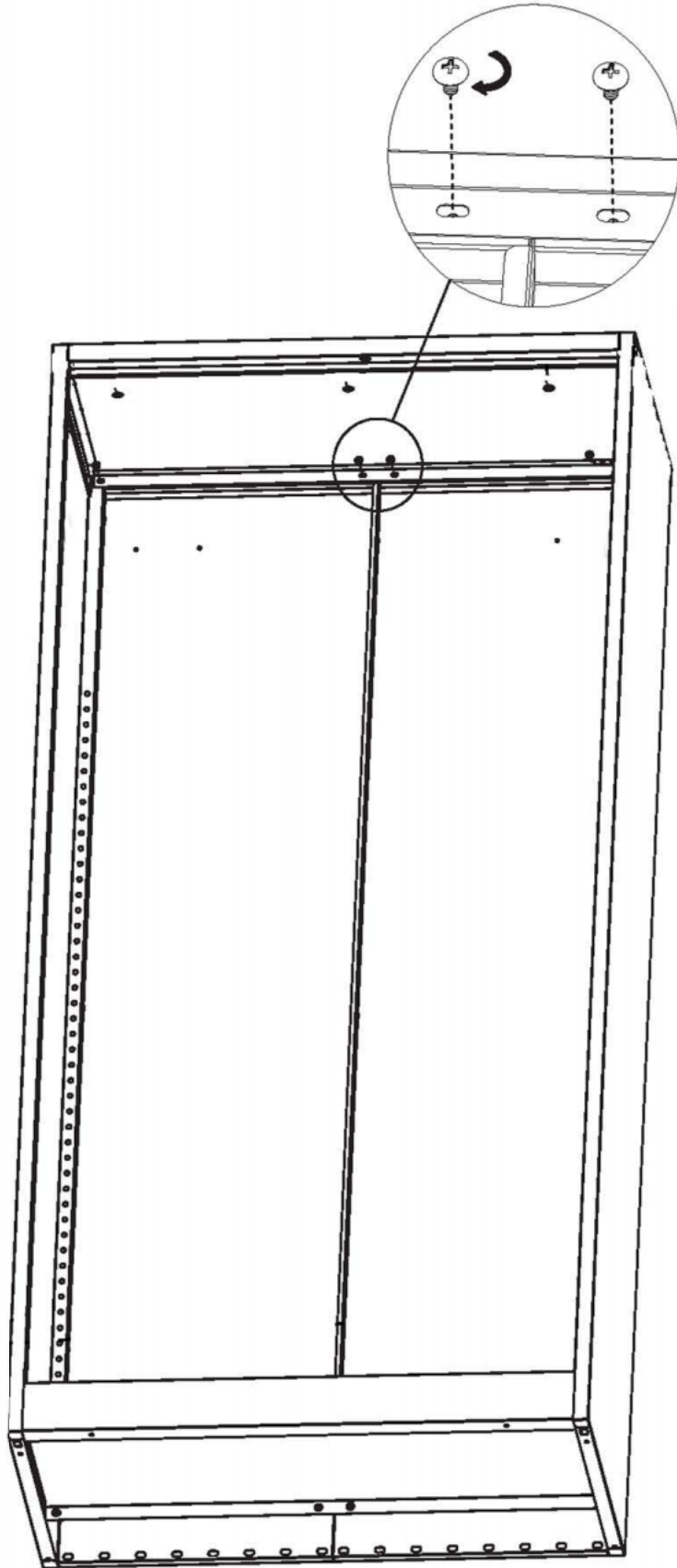
Step4

(N)  x 2




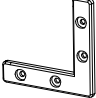
Step 5

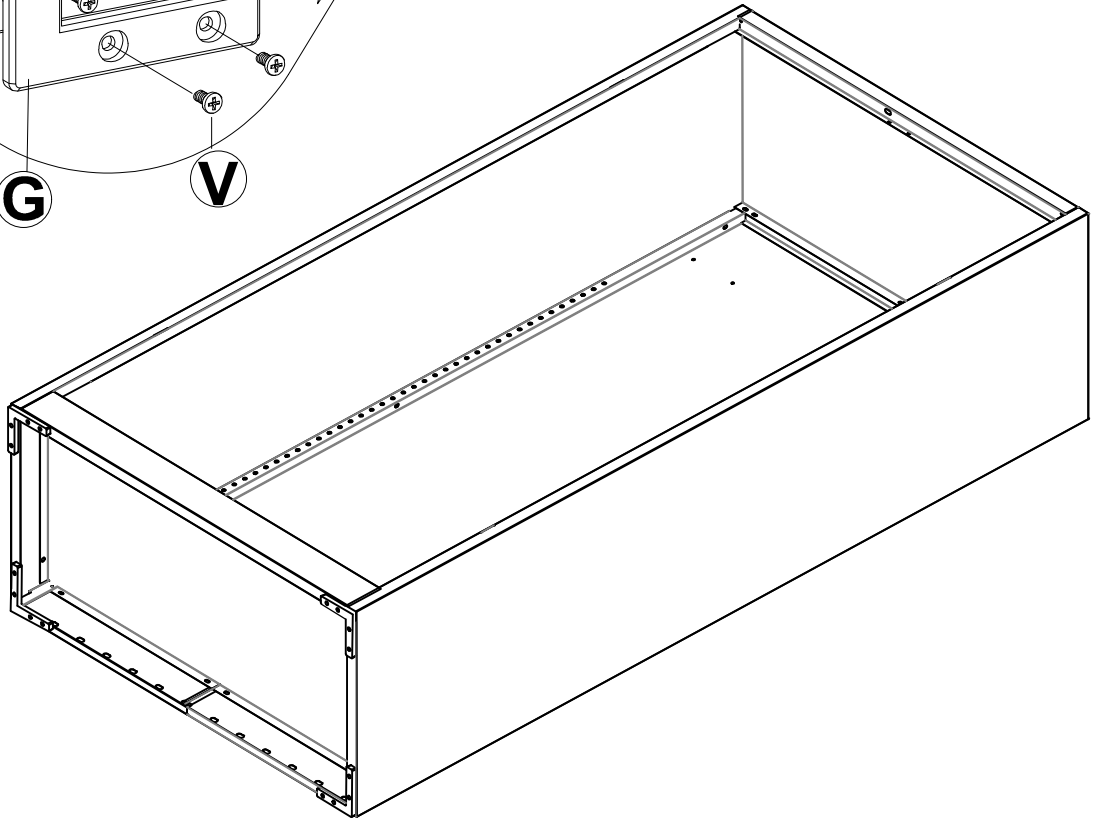
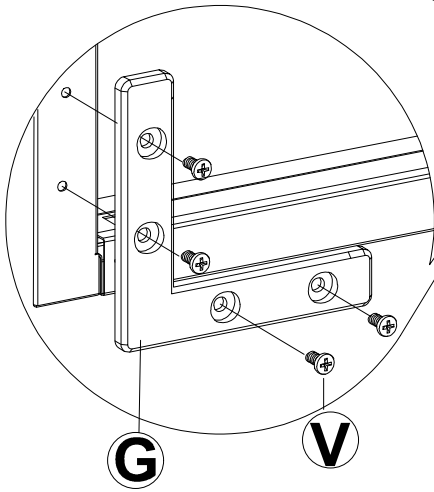
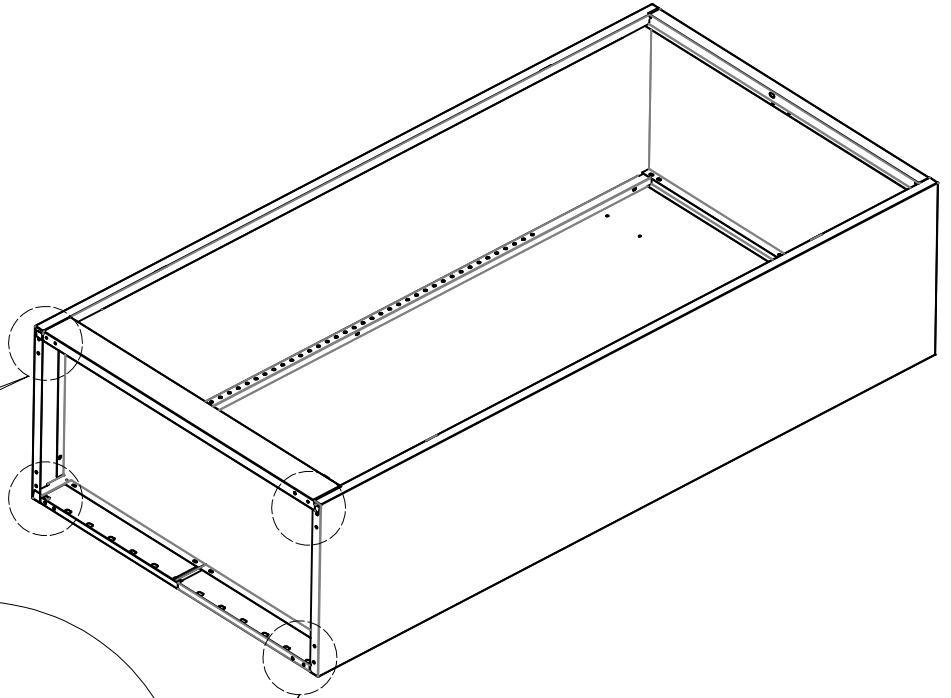
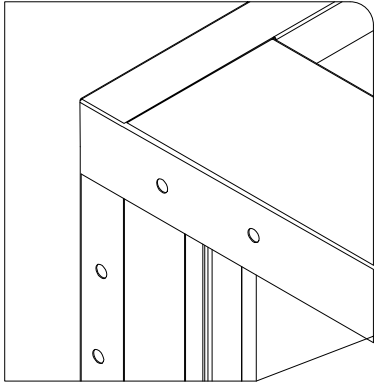
Ⓝ x 7



Step 6

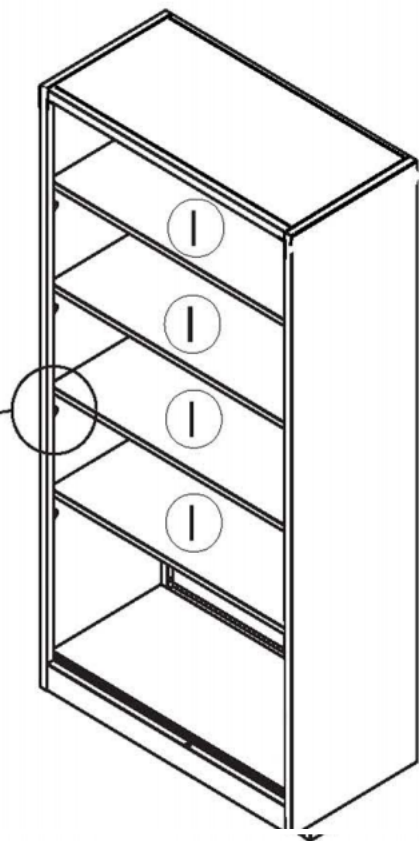
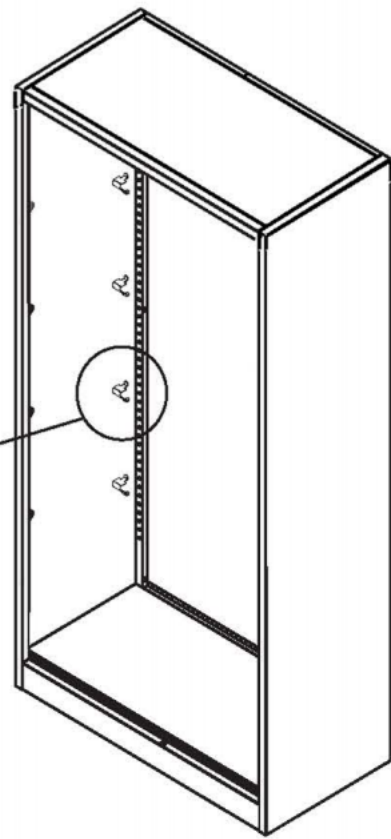
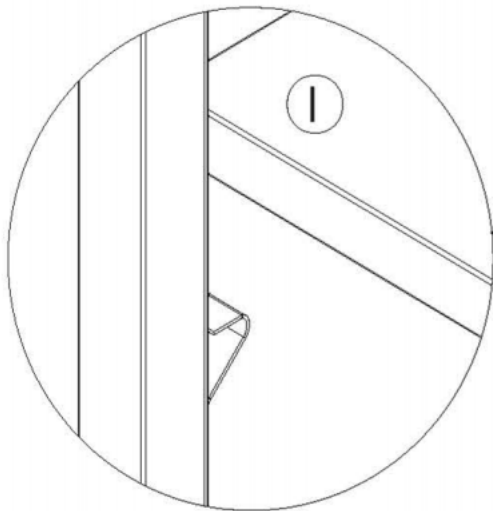
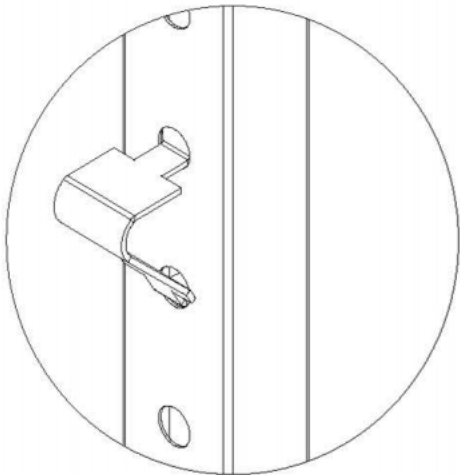
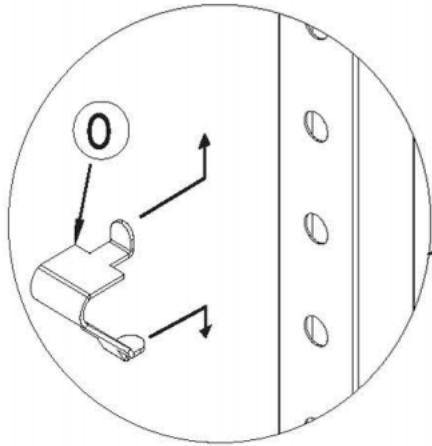
Ⓥ  x 16

Ⓦ  x 4

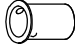



Step 7

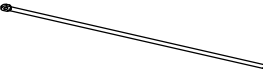
① x 16

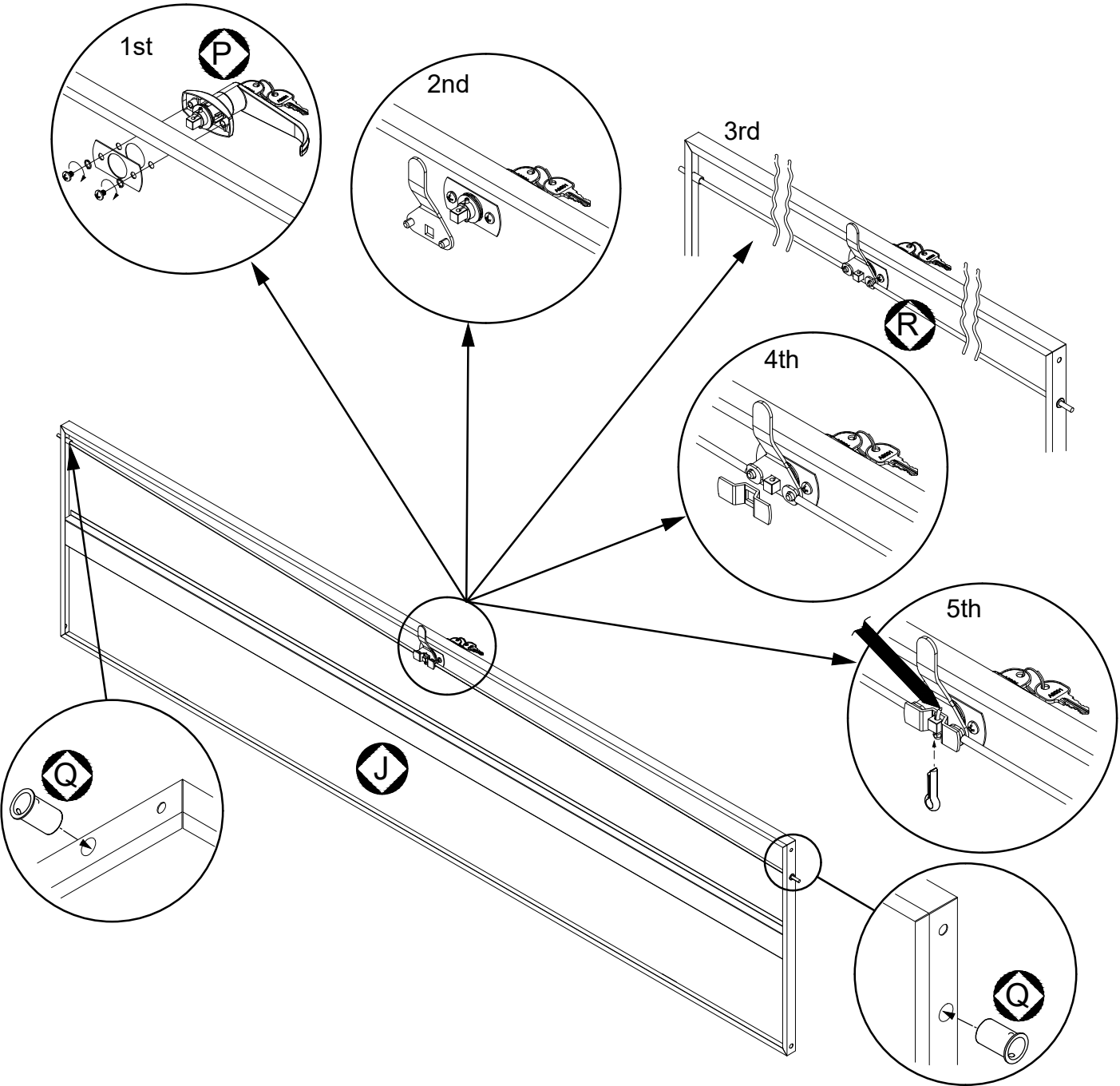


Step8


Q  x 2

P  x 1

R  x 2

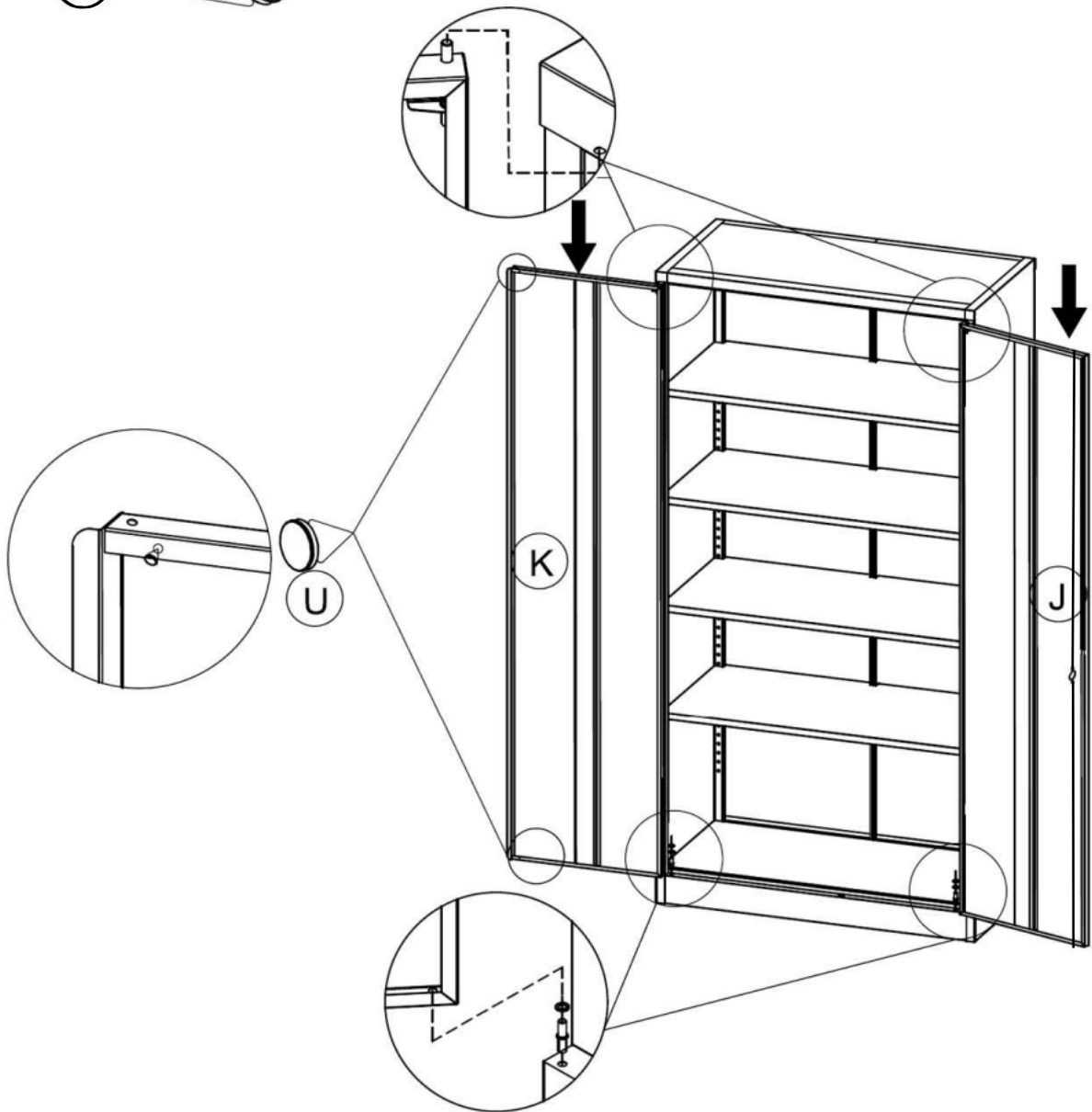


Step 9

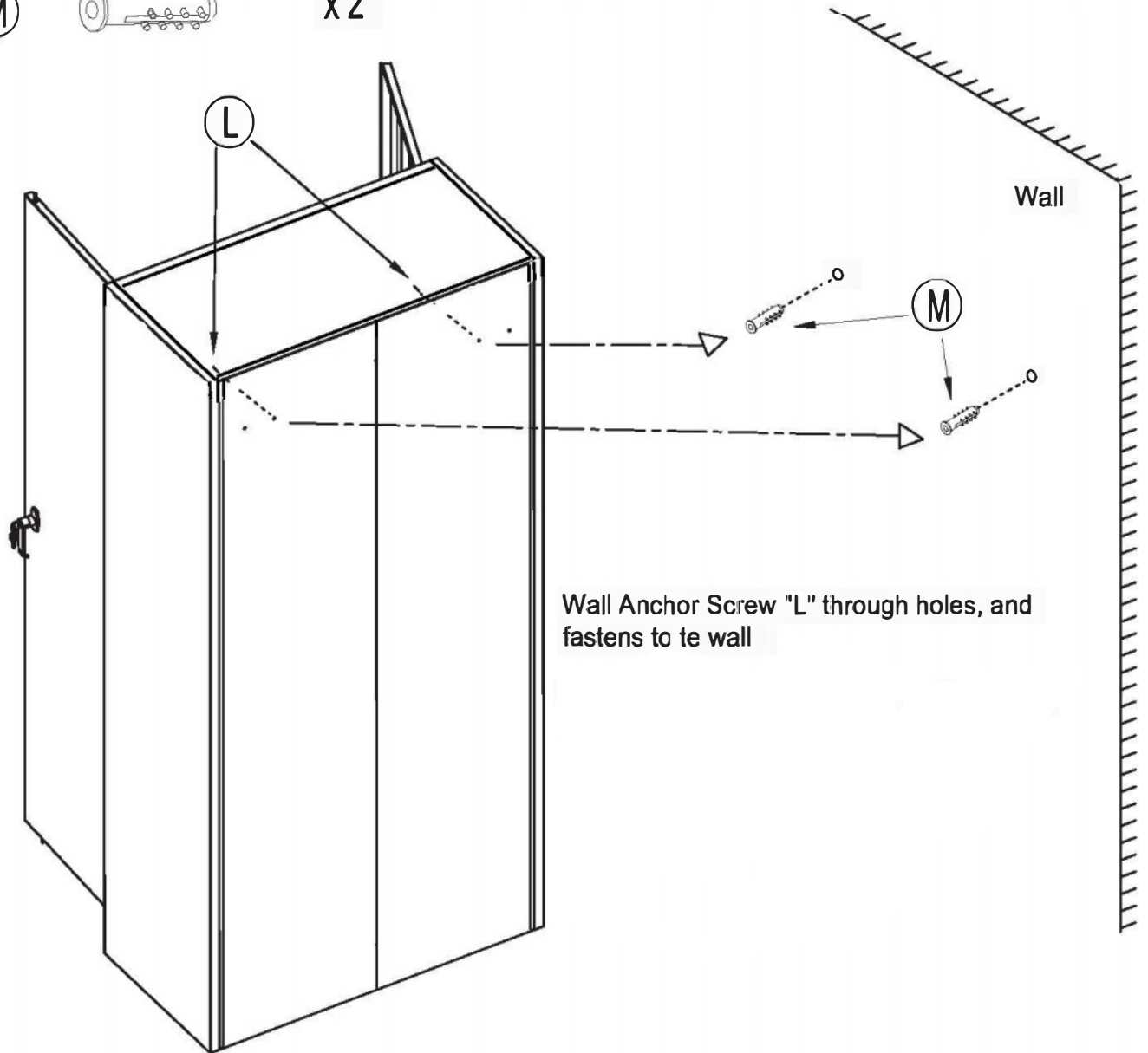
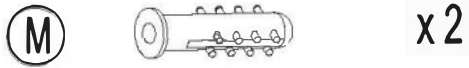
(S)  x 2

(T)  x 4

(U)  x 2



Step10



AFTER ASSEMBLY IS COMPLETE, THE UNIT MUST BE SECURED TO A WALL.

FAILURE to mount the unit to a wall, can create a TIPPING HAZARD.

A tipping hazard is dangerous to yourself and others. Use wall anchor hardware that properly suits the installation of mounting this unit to a wall

Step11

This Product is designed for stationary use only.
Do not use it with any type of mobile cabinet conversion device.

