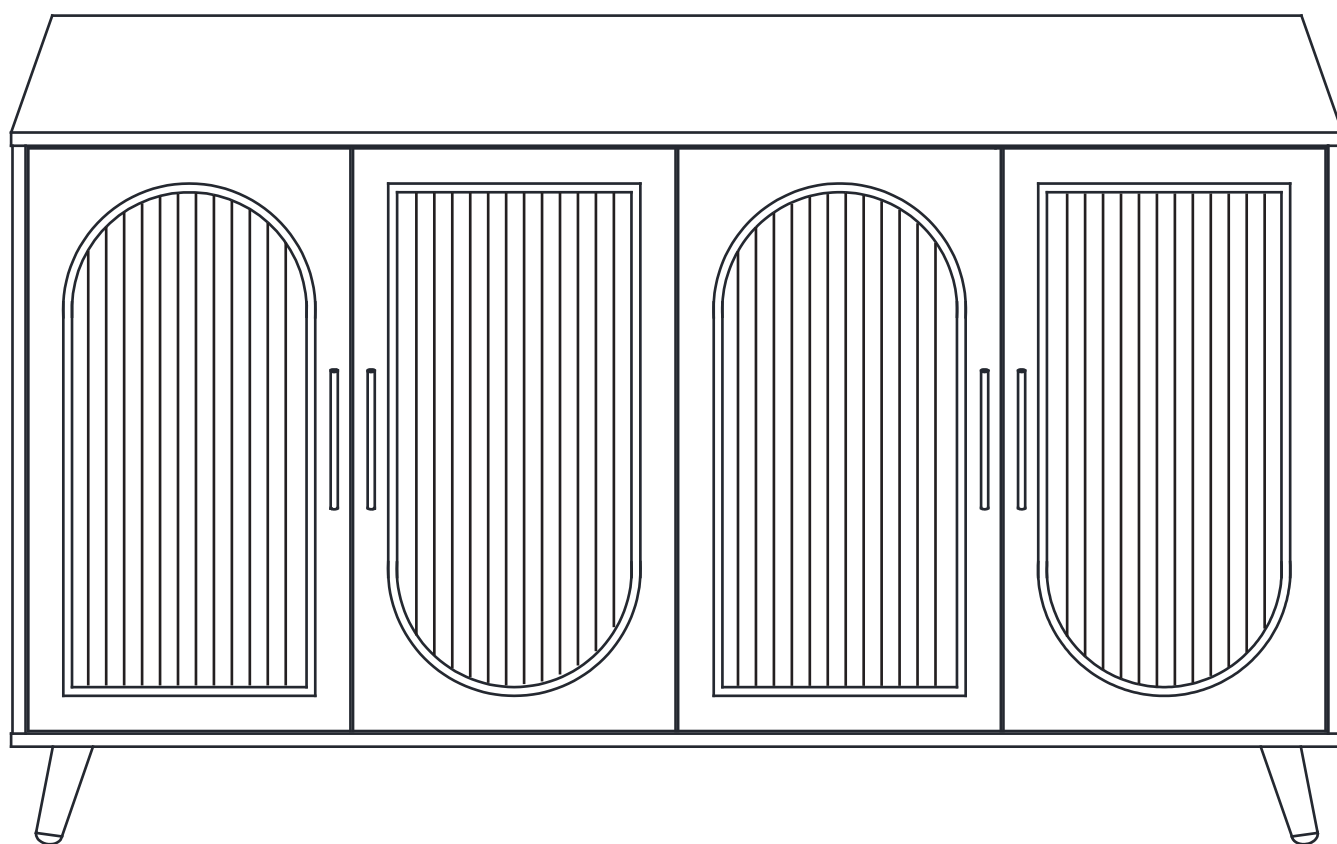


**SKU:W1445139547**



1. Thank you for choosing *our products*.

2. Return Policy



DO NOT RETURN TO THE STORE! Skip the process of returning your product and contact us directly for a replacement

If you find that parts of your order are missing or damaged, we will gladly ship any needed replacement parts free of charge.

If your product's quality does not meet your expectations or you have found any sort of defect, please contact our customer service department and let us know the details of your order and any issues encountered, we will try our best to provide you with a solution. Feel free to also directly contact our manufacturer concerning needed replacement parts and they will be happy to help provide you with a solution or answer any questions you may have.

#### Recommendations Before Beginning Assembly



- Read instructions, cover to cover



- Have 2-4 adults on hand for assembly depending on product size



- Do not assemble directly on flooring or carpet



- Assemble on a clean non-marring surface (example: packing foam)



- Save all packaging until finished











#### 3. Assembly Notice:

- If you encounter any problems during assembly and find that you cannot continue, rest assured we will help you solve the situation as soon as possible. Simply keep all of the parts of the product stored in a safe place and contact us immediately so we may assist you further.
- Once you have opened your package, remove all inner hardware packages and take the parts out. One by one, Place the parts out neatly in front of you, then refer to the instructions to ensure no parts are missing. If any pieces are found missing, please carefully look in the box first, as the hardware packaging might have torn making the

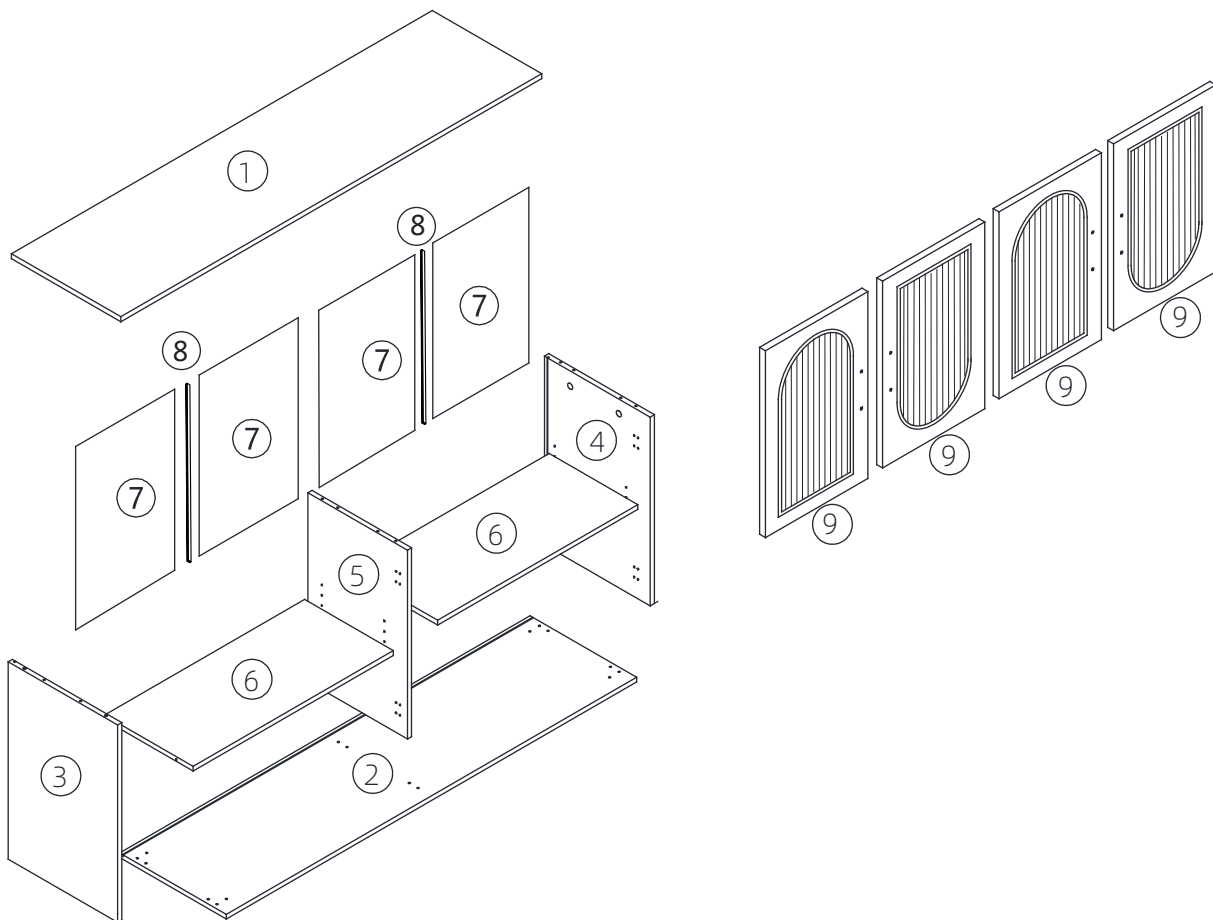
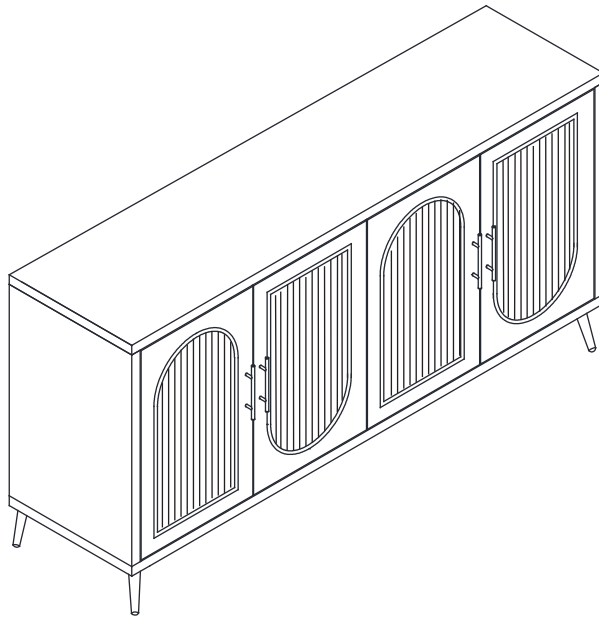
hardware spill in the box.




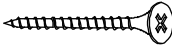



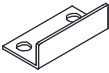
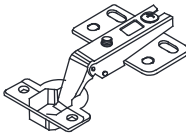
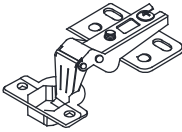


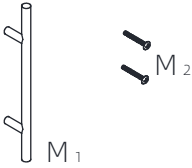
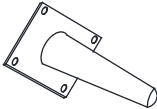
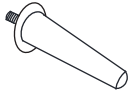



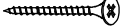
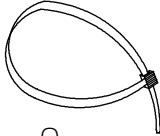
- Some key parts of your product may be stored and hidden inside of other parts. Please open any zippered or hook & loop storage compartments to remove all parts. (example: cushions and legs being stored in the underside of a sofa)
- **IMPORTANT:** When setting up your product, **DO NOT INSTALL THE SCREWS ALL THE WAY IN THE BEGINNING.** Place each screw into their proper hole and use your hand to twist the screw halfway. Twist all the screws in halfway to ensure the holes will match up properly and the product is level on the ground. When everything seems fitted, then tighten the screws.
- When you have completed assembly, we suggest you have more than one person to assist you with lifting and placing the product.

## Care & Maintenance

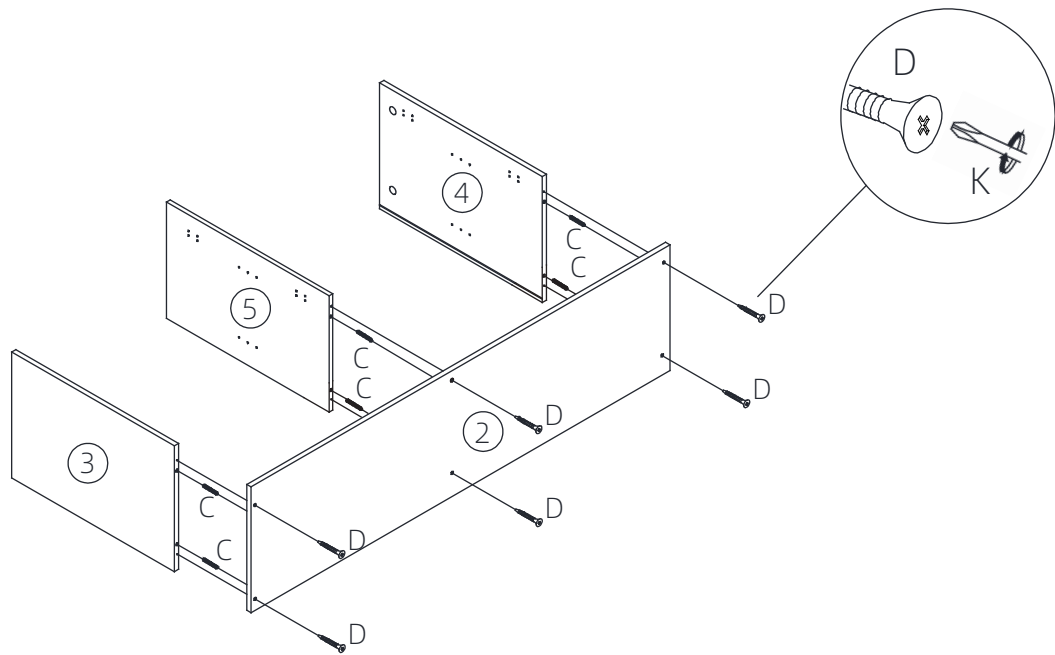
- ⊘  ● Do not put hot items directly on furniture surface
- ⊘  ● Do not clean furniture with harsh cleansers or polish
- ⊘  ● Do not place furniture under direct sunlight
- ⊘  ● Do not place furniture near heating or cooling vents
- ⊘  ● Do not write on furniture without a padded barrier to protect the surface
- ⊘  ● Do not place furniture outside. For indoor use only
- ⊘  ● Not for commercial use. For residential use only
- ⊘  ● Stains may be removed with mild soap solution and damp cloth
- ⊘  ● Children should not climb or jump on the furniture
- ✓  ● Dust and pick-up spills using a clean, non-colored, lint-free cloth



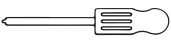
# W1445139547



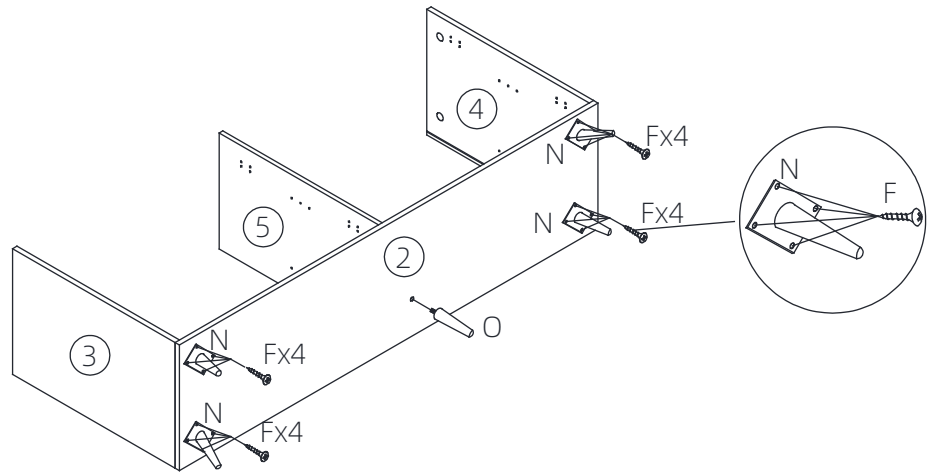
 Ø6x35mm	 Ø15x12mm	 Ø6x30mm	 Ø5x40mm	 Ø3x12mm
A X6	B X6	C X12	D X6	E X4
 Ø4x16mm				
FX64	GX8	HX2	IX4	SX4
	 Ø3x14mm	 M <sub>1</sub> M <sub>2</sub>		
KX1	LX8	MX4	NX4	OX1
	 X2 Q <sub>1</sub>	 Q <sub>2</sub>	 Q <sub>3</sub>	 Q <sub>4</sub>
PX4	QX1			RX8


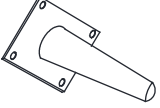
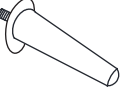
# STEP 1



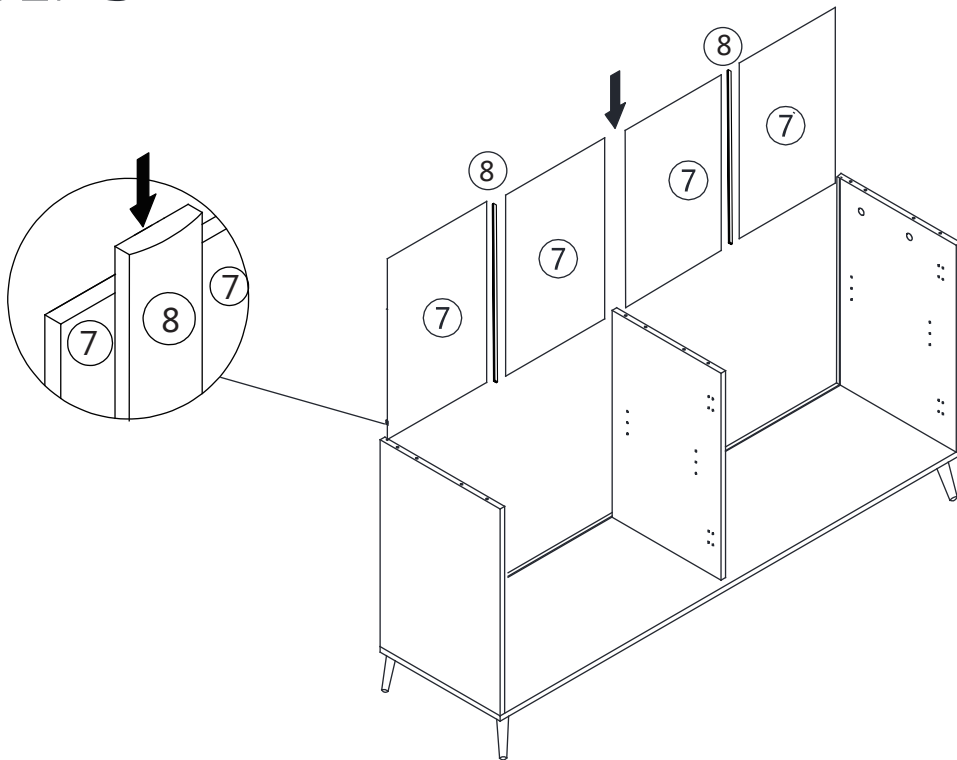
 Ø6x30mm	 Ø5x40mm	
C X6	D X6	K X1

# STEP 2

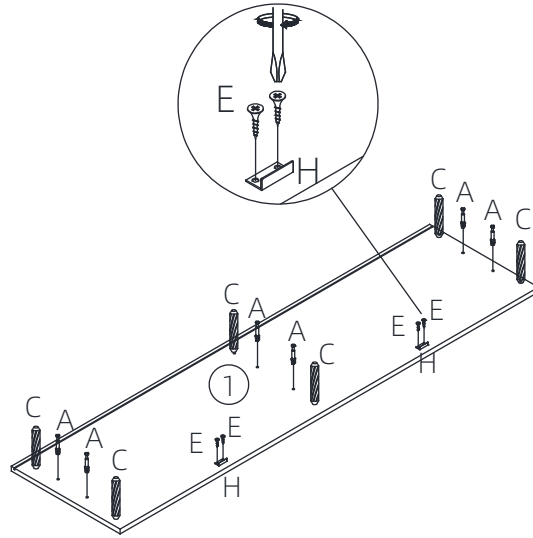
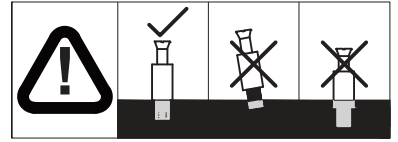


 Ø4x16mm		
FX16	N X4	O X1

# STEP 3

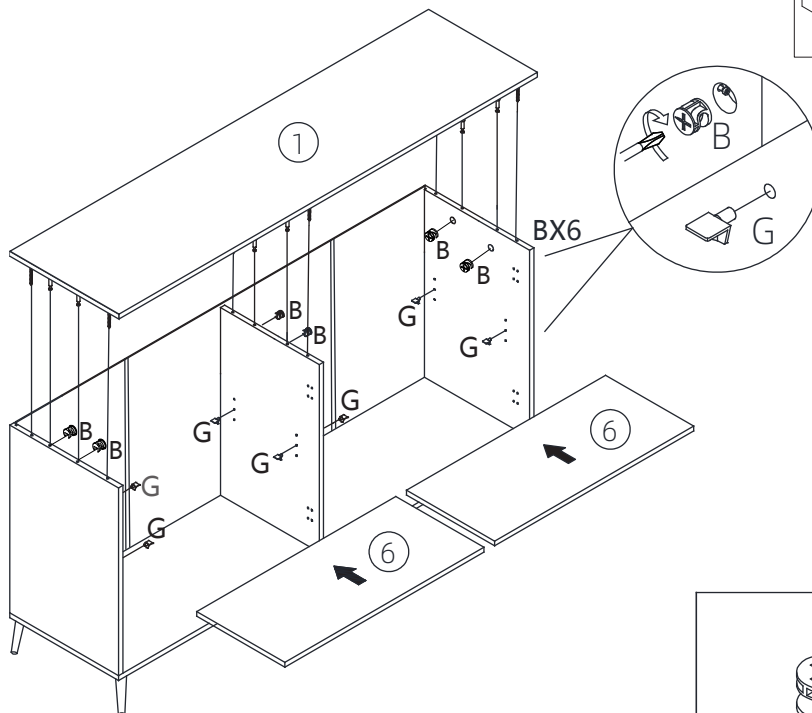
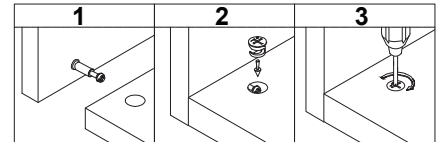


# STEP 4



CX6	AX6 Ø6x35mm	EX4 Ø3x12mm	HX2

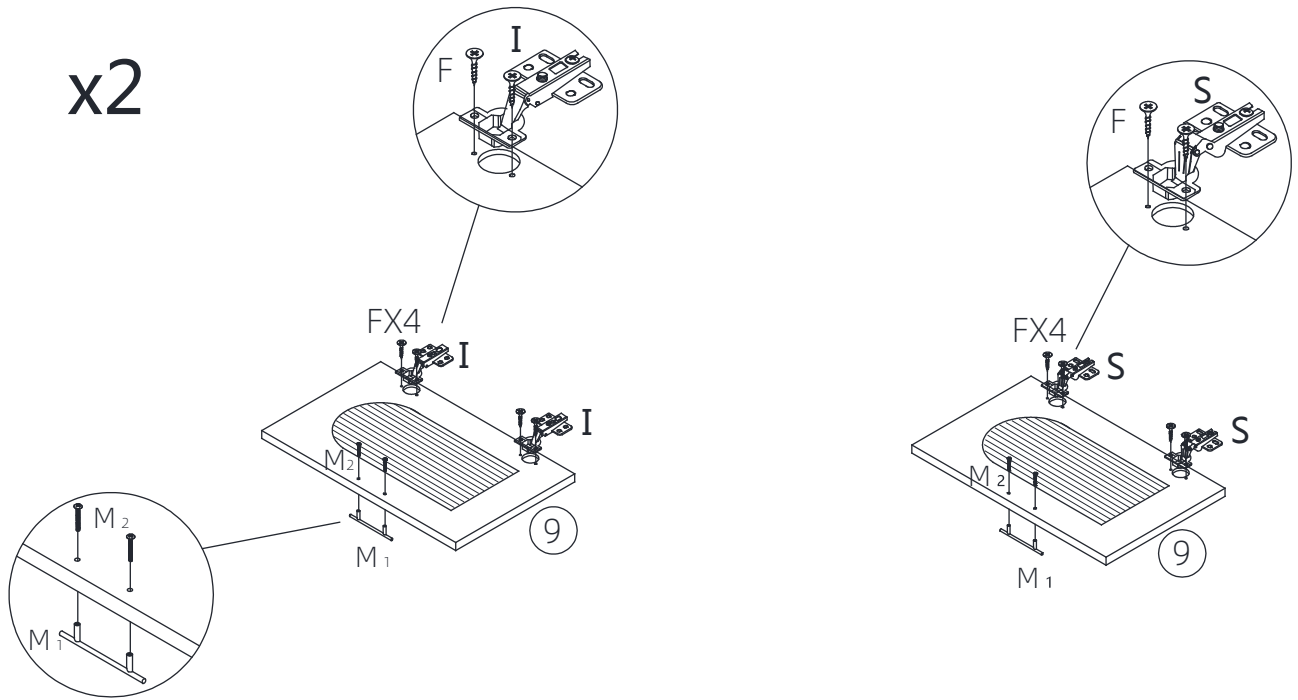
# STEP 5


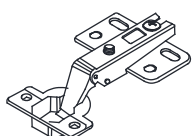
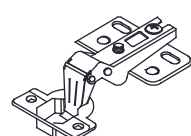
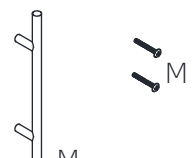


Ø15x12mm BX6	GX8

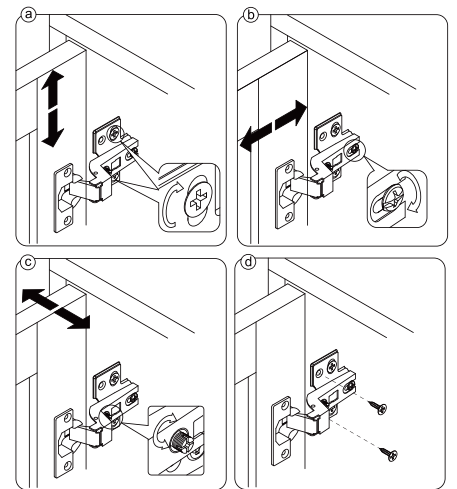
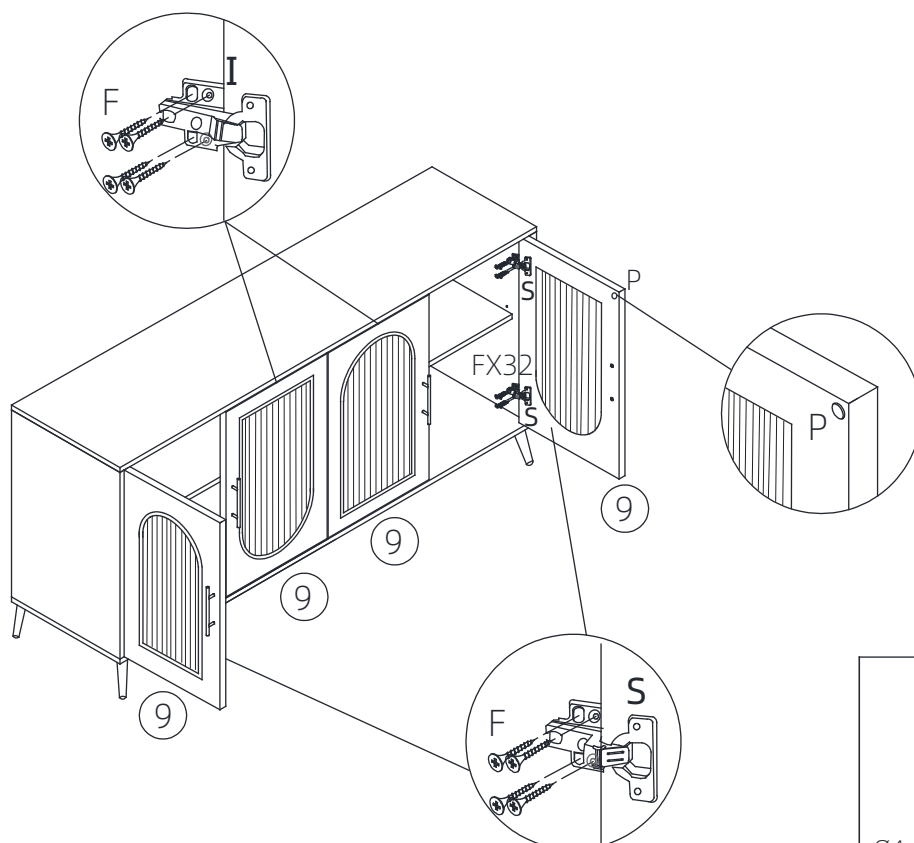
# STEP 6



x2



 Ø4x16mm			
<p>FX16</p>	<p>IX4</p>	<p>SX4</p>	<p>MX4</p>

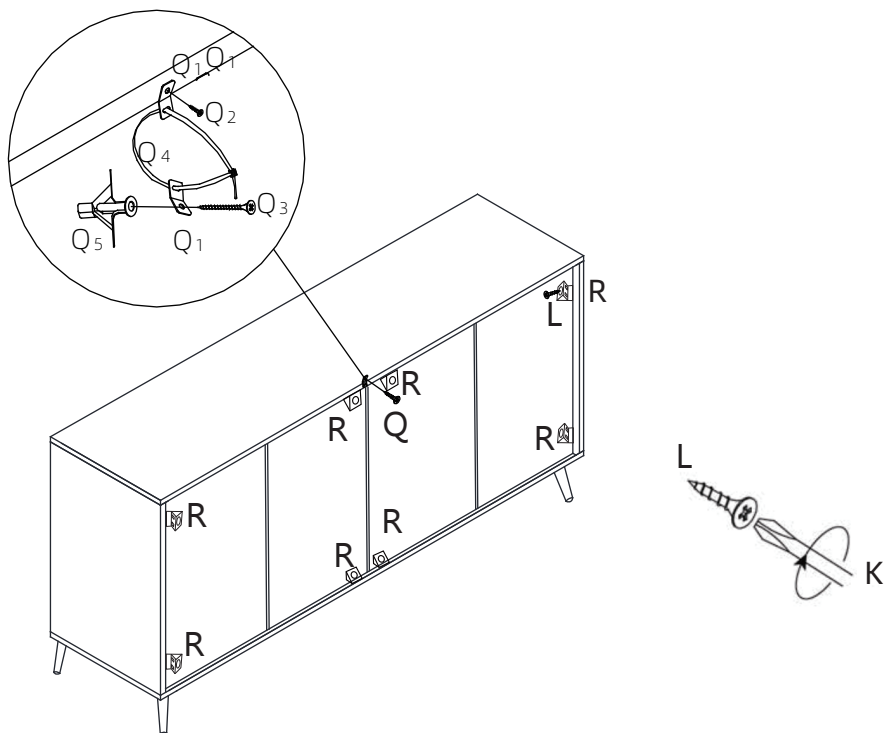
# STEP 7



 Ø4x16mm	
<p>FX32</p>	<p>PX4</p>

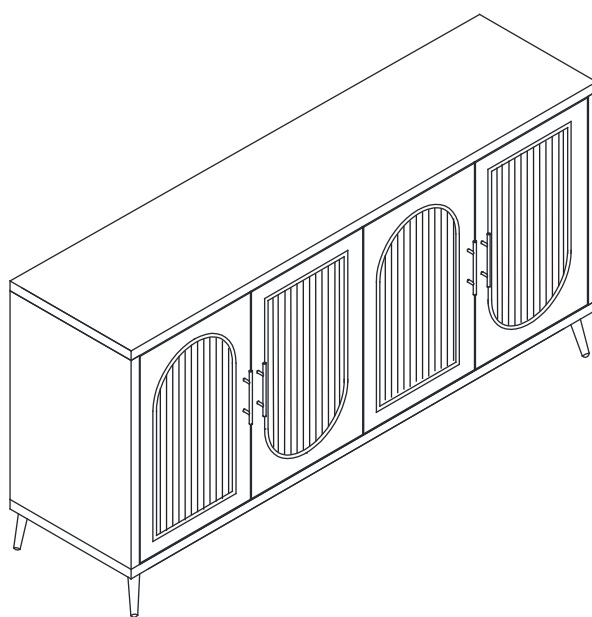


# STEP 8



RX8	L X8	Q1	Q2	Q3	Q4	Q5
		QX1				

# STEP 9

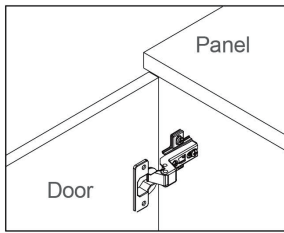


# Assembly Steps(EN) / Montageschritte(DE)

HOW TO ADJUST THE HINGES TO ALIGN THE DOORS IF NEEDED.

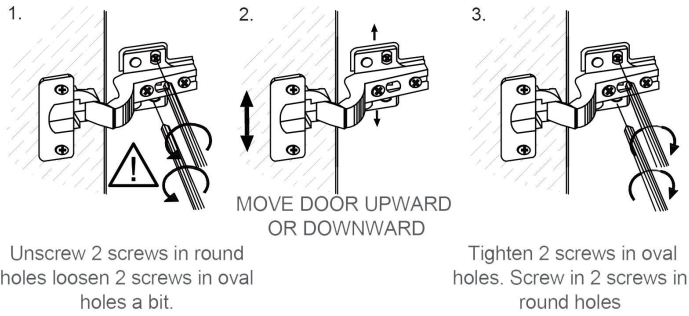
## STEP 1

Open the door.



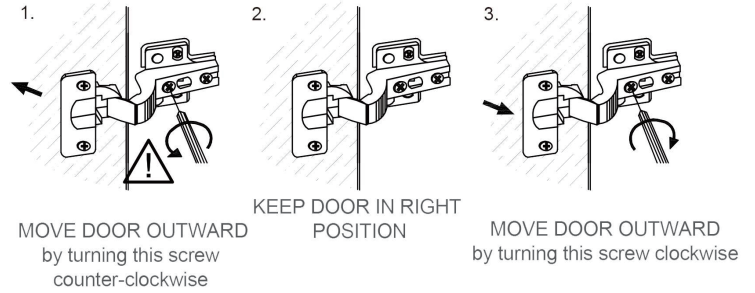
## STEP 2

Adjust the door panels up or downward



## STEP 3

Adjust the flush between door panel and side panel



## STEP 4

Adjust the Gap between door panel and side panel

