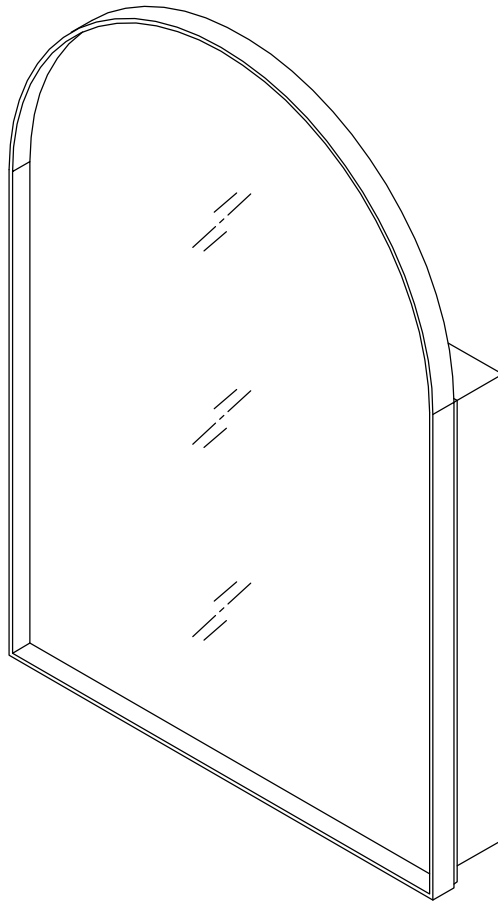


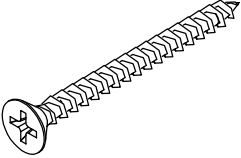
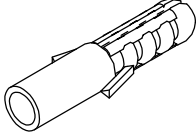
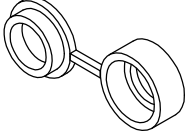
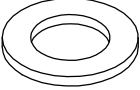
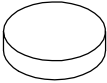
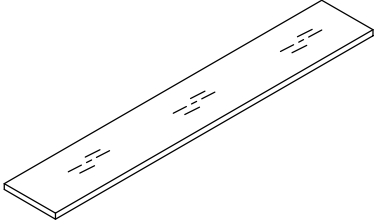
# MEDICINE CABINET

## Installation Guide



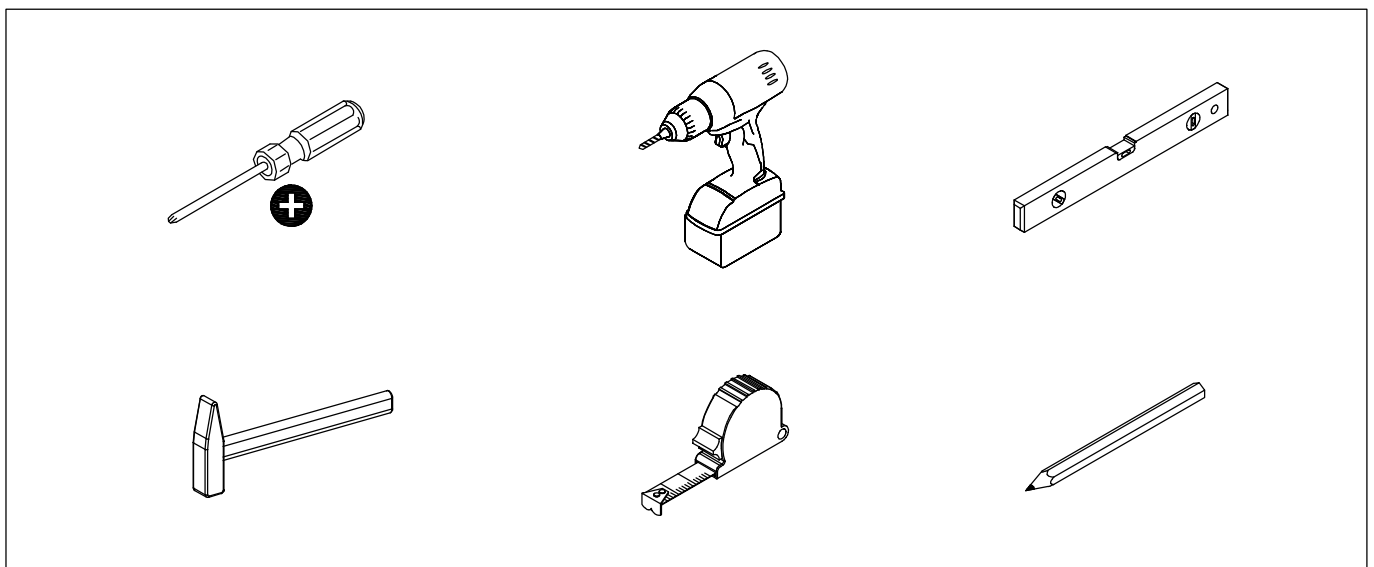
1FZFSMA23112-91

# List of Parts

<p><b>A</b> <span style="float: right;"><b>8pcs</b></span></p>  <p style="text-align: center;"><b>Screws</b></p>	<p><b>B</b> <span style="float: right;"><b>8pcs</b></span></p>  <p style="text-align: center;"><b>Rubber plug screws</b></p>	<p><b>C</b> <span style="float: right;"><b>8pcs</b></span></p>  <p style="text-align: center;"><b>Screw cover</b></p>
<p><b>D</b> <span style="float: right;"><b>8pcs</b></span></p>  <p style="text-align: center;"><b>Screw washers</b></p>	<p><b>E</b> <span style="float: right;"><b>12pcs</b></span></p>  <p style="text-align: center;"><b>Rubber mat</b></p>	<p><b>F</b> <span style="float: right;"><b>2pcs</b></span></p>  <p style="text-align: center;"><b>Glass shelf</b></p>

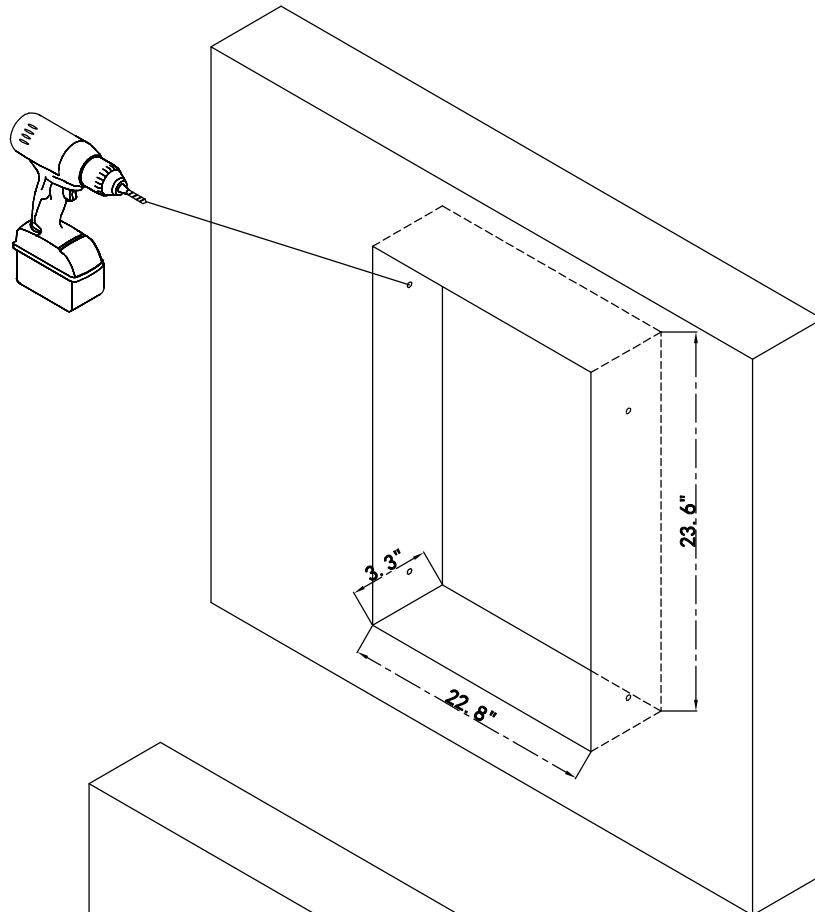
Please make sure all the parts are included.  
 Missing parts? Reach out to [wf1\\_us@csbdhome.com](mailto:wf1_us@csbdhome.com) for free replacement

## Additional Tools Required

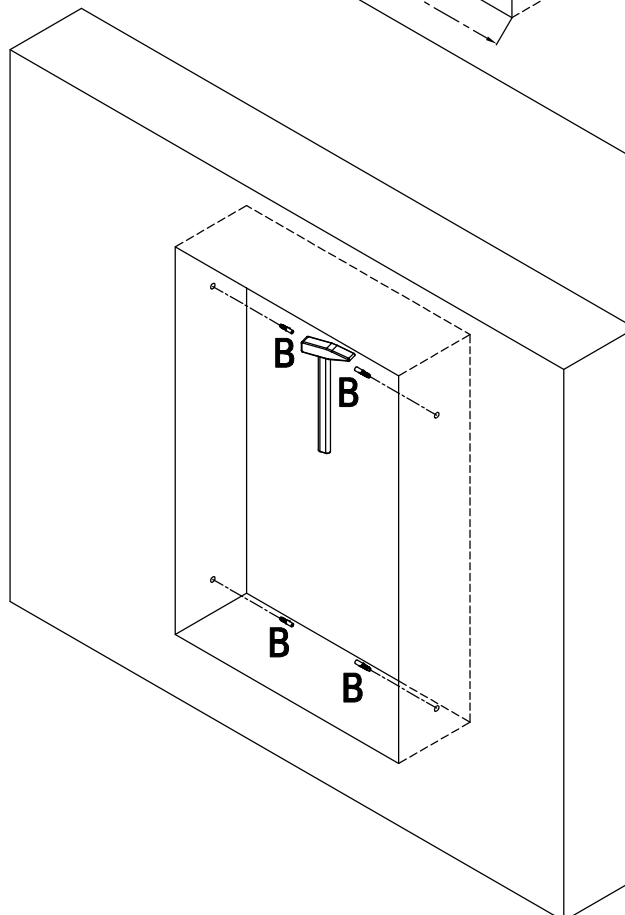


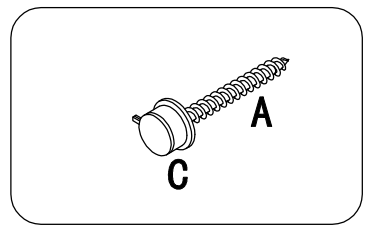
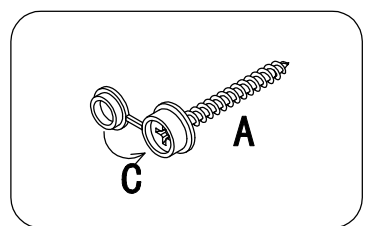
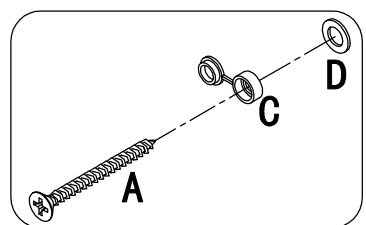
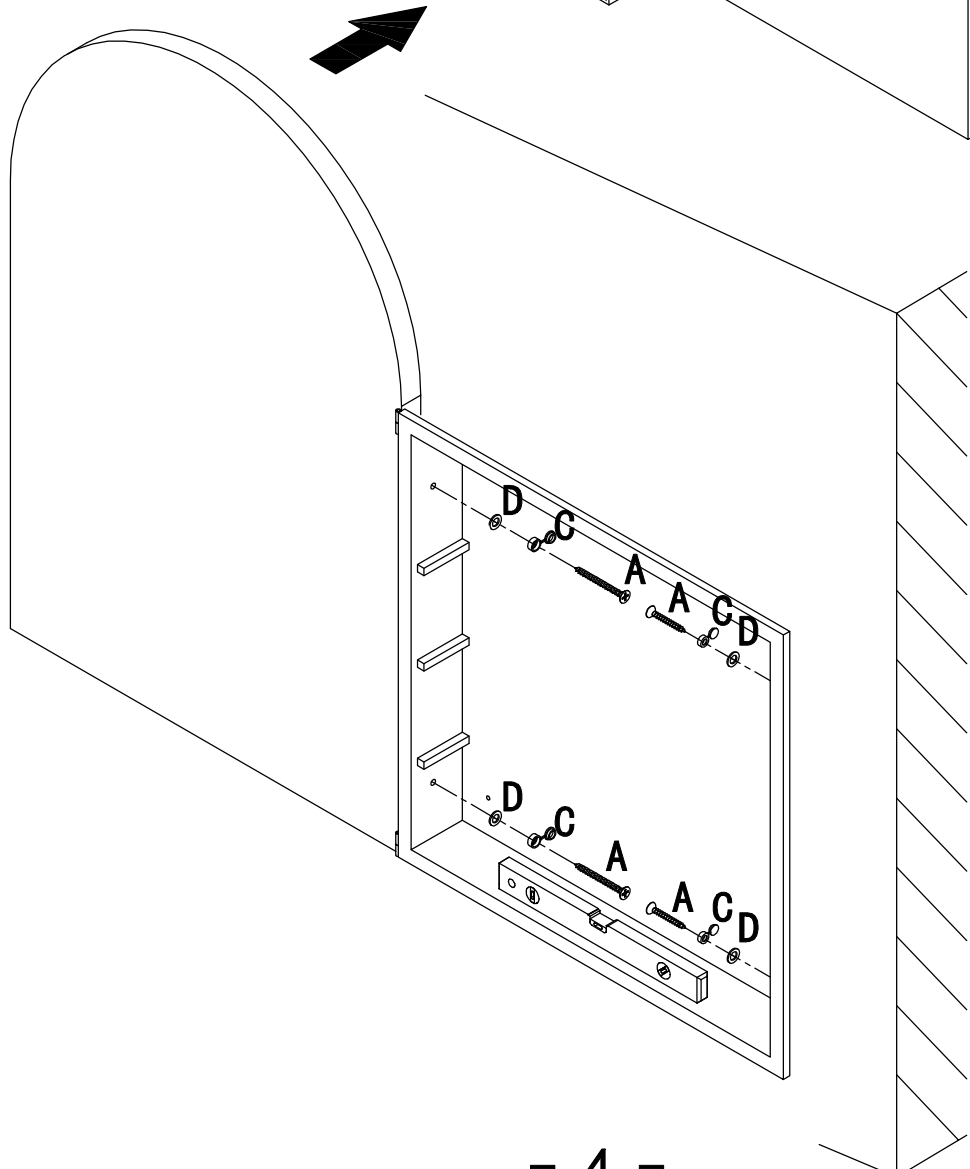
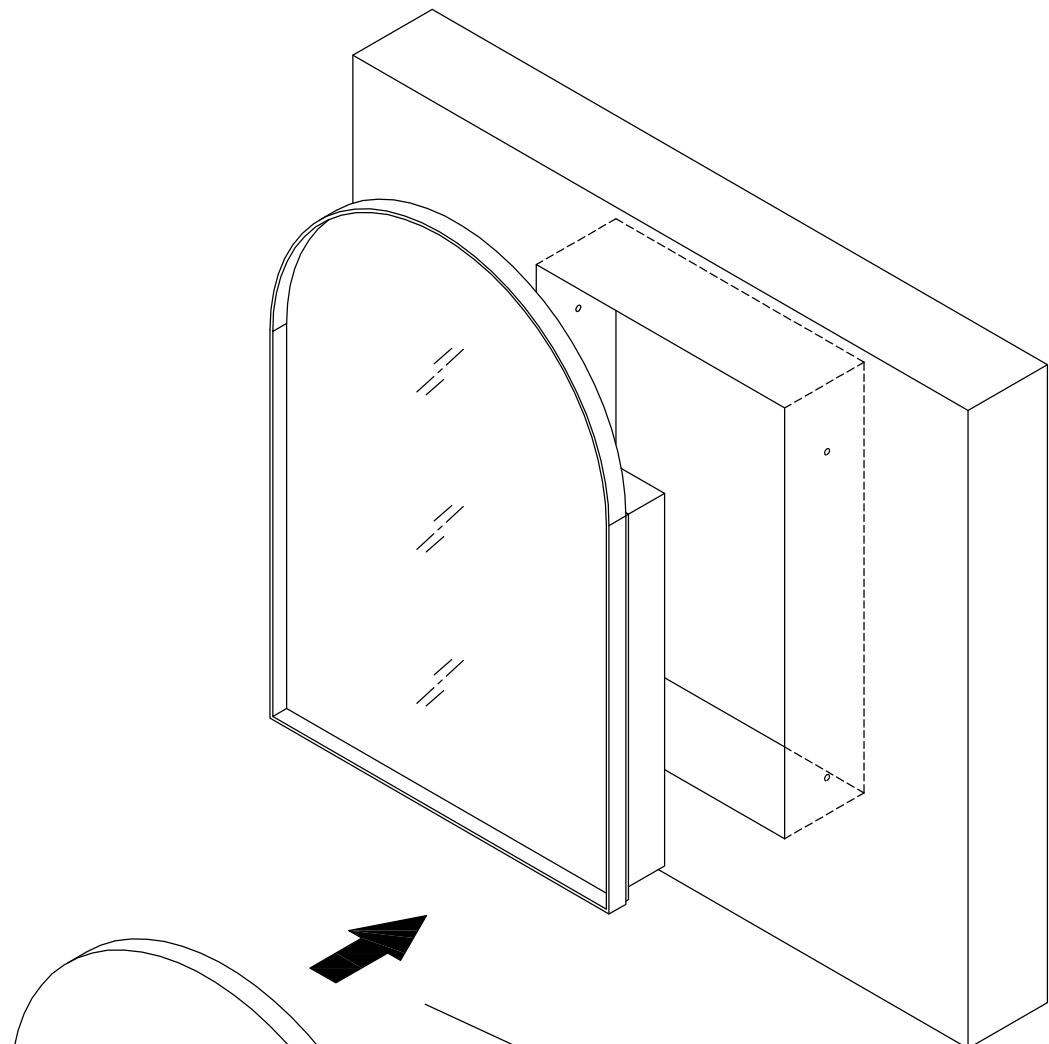
# Rough Wall Opening

Overall Size	Rough Wall Opening
24 in.(W) X 36 in.(H) X 4.5 in.(D)	22.8 in.(W) X 23.6 in.(H) X 3.3 in.(D)



Mark four (4) mounting holes on the wall corresponding to the pre-drilled hole locations in the mounting bars on the inside back panel of the cabinet.





# Surface installation

Mark four (4) mounting holes on the wall corresponding to the pre-drilled hole locations in the mounting bars on the inside back panel of the cabinet.

