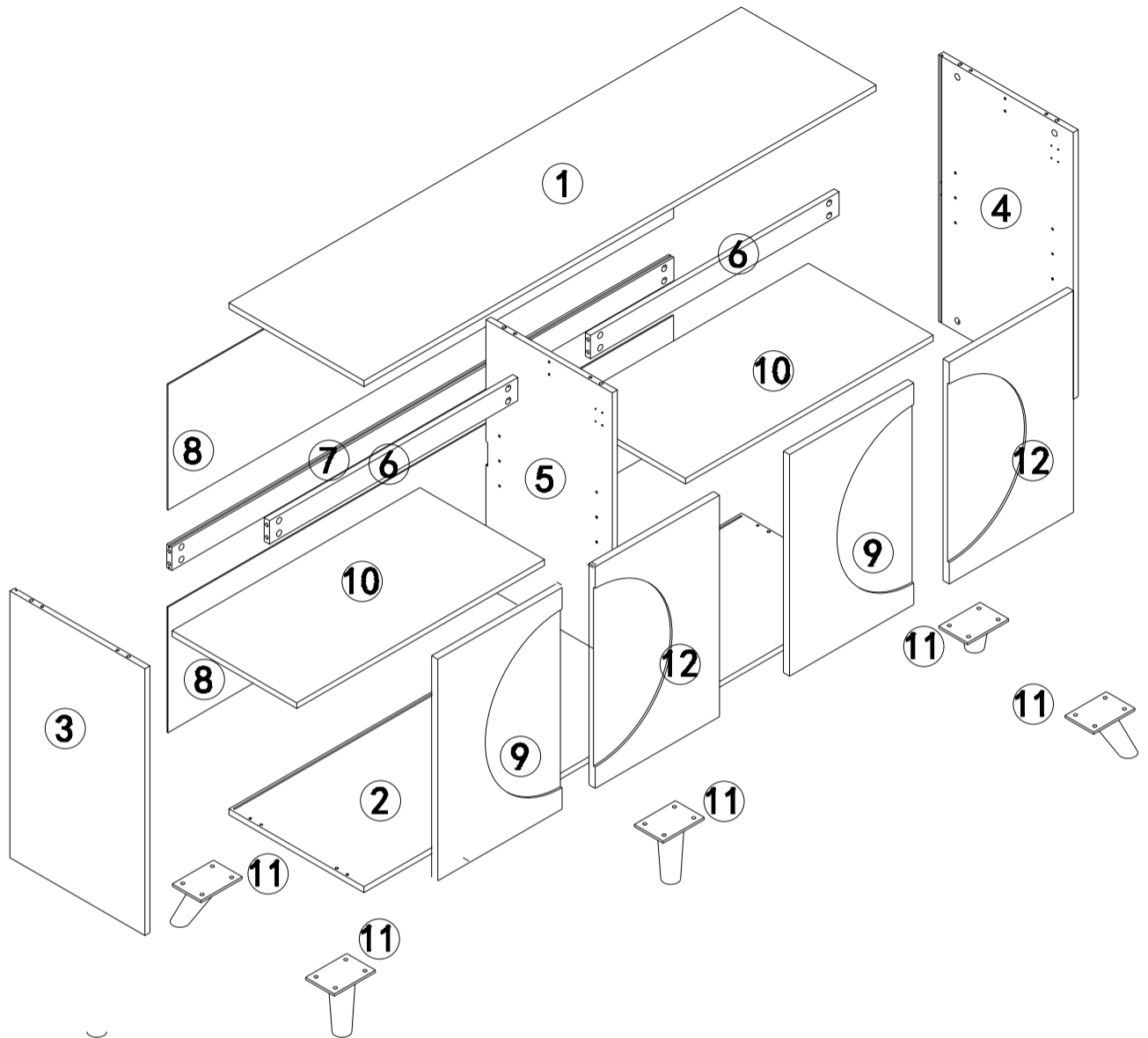


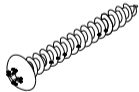


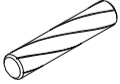

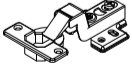


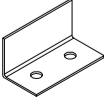
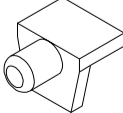
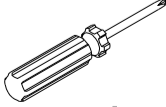

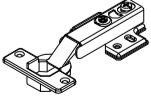
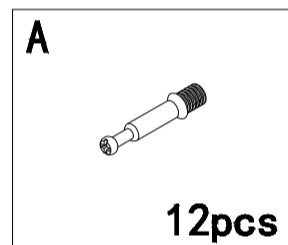
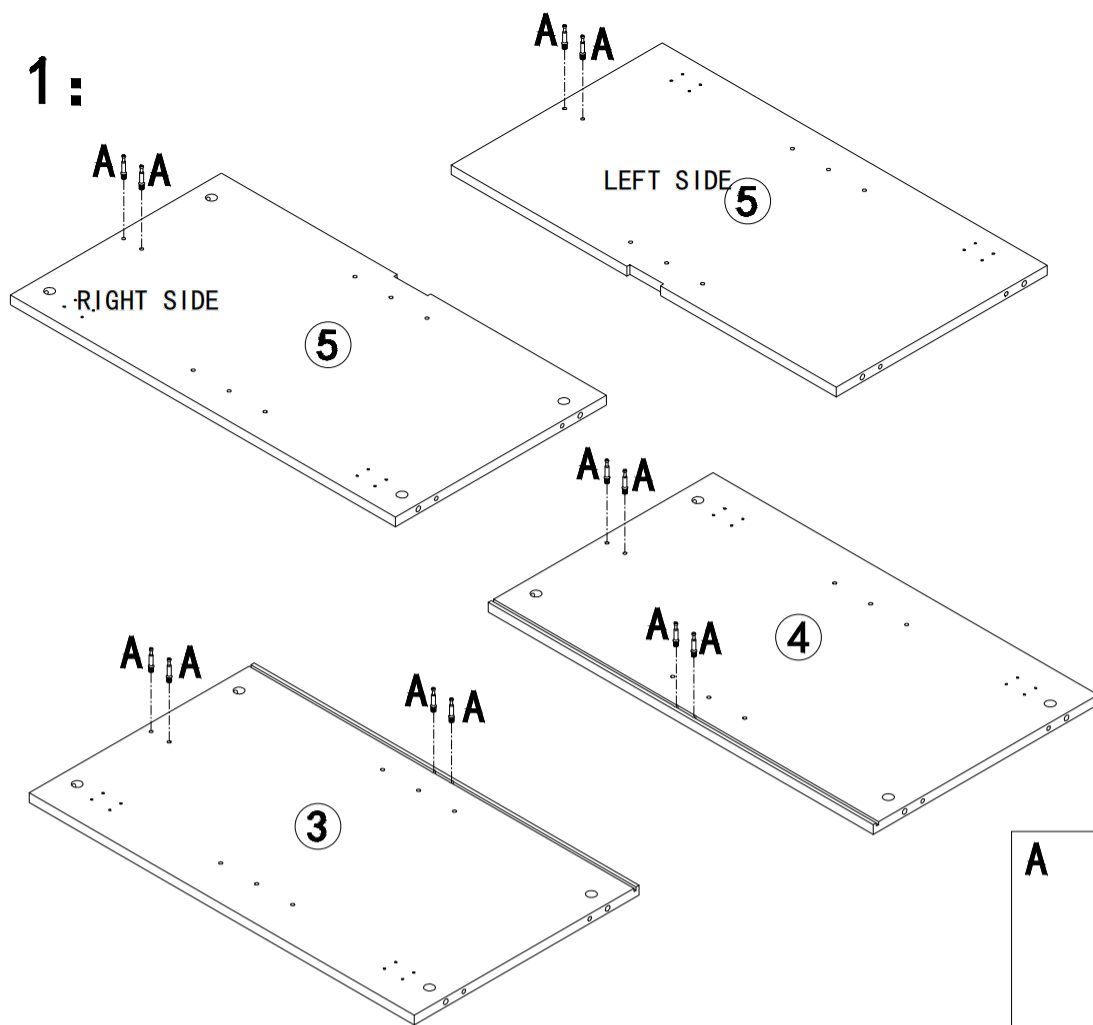


# Parts List

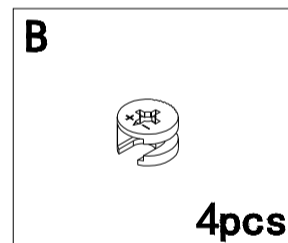
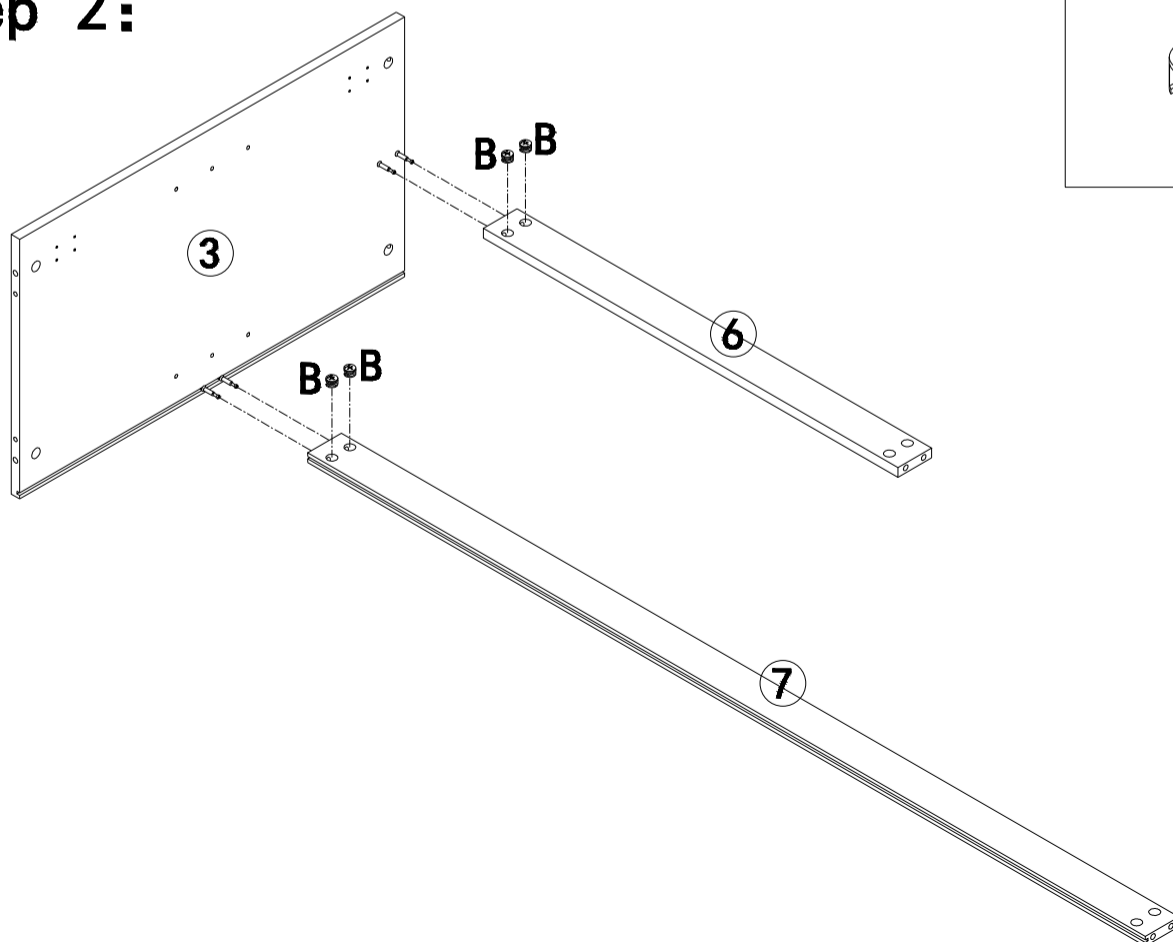


<b>N</b>  <b>8pcs</b>	<b>M</b>  <b>8pcs</b>	<b>W</b>  <b>2 pcs</b>	<b>A</b>  <b>24pcs</b>	<b>B</b>  <b>24pcs</b>
<b>C</b>  <b>12pcs</b>	<b>D</b>  <b>72pcs</b>	<b>E</b>  <b>4pcs</b>	<b>F</b>  <b>8pcs</b>	<b>G</b>  <b>4pcs</b>
<b>H</b>  <b>2pcs</b>	<b>I</b>  <b>8pcs</b>	<b>J</b>  <b>4pcs</b>	<b>K</b>  <b>8pcs</b>	<b>L</b>  <b>4pcs</b>

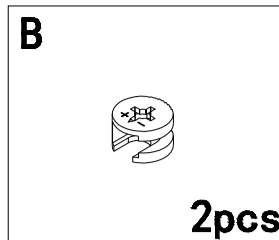
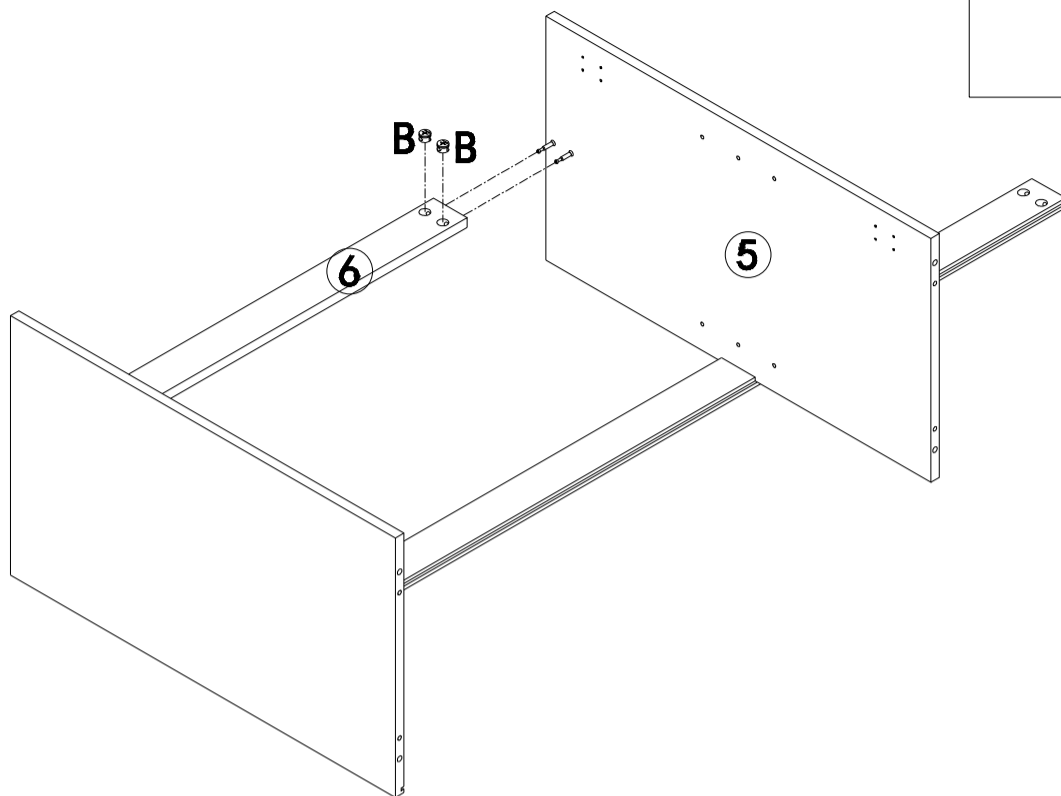
# Step 1:



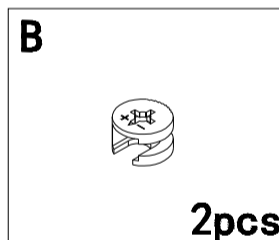
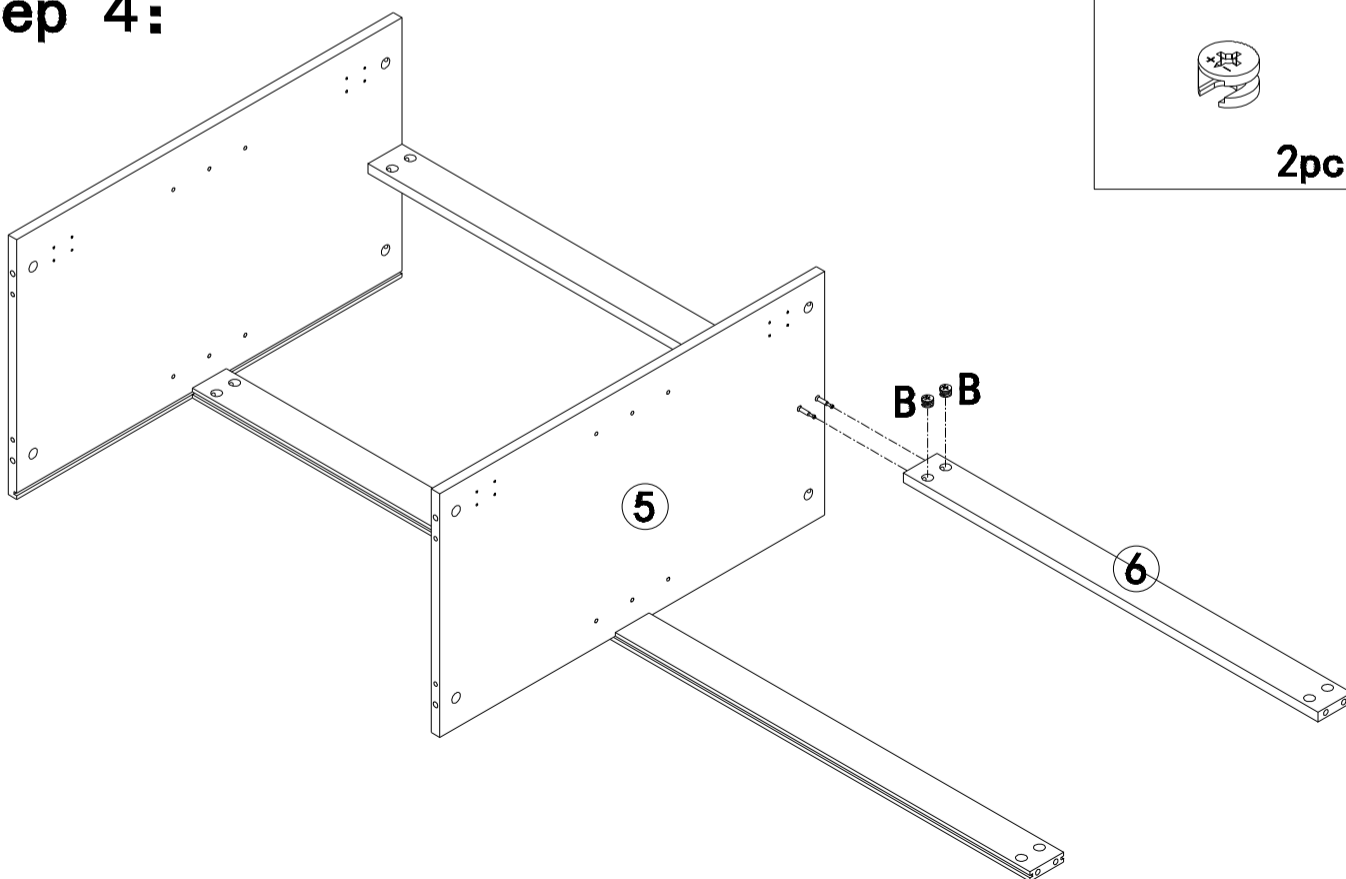
# Step 2:



# Step 3:

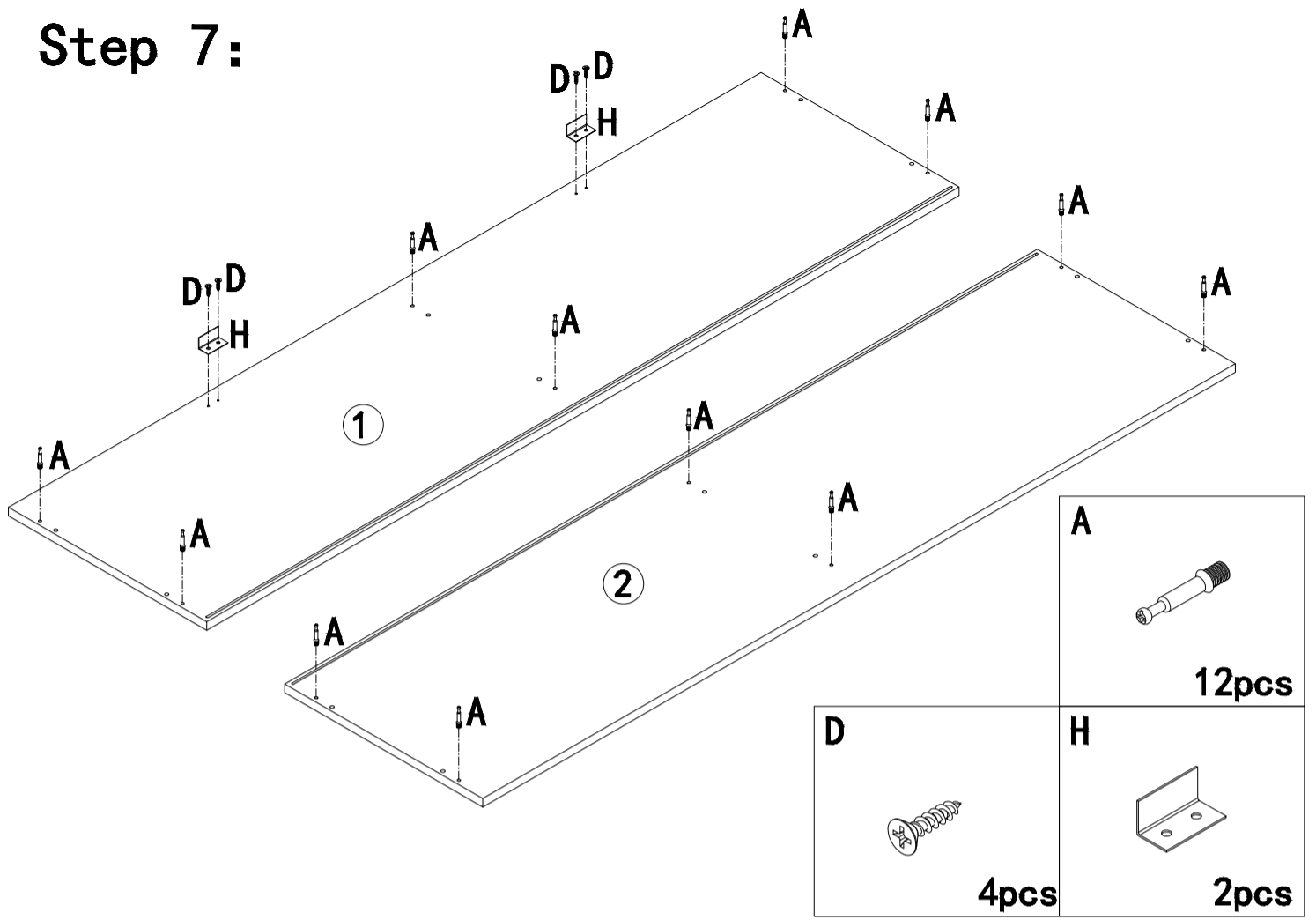


# Step 4:

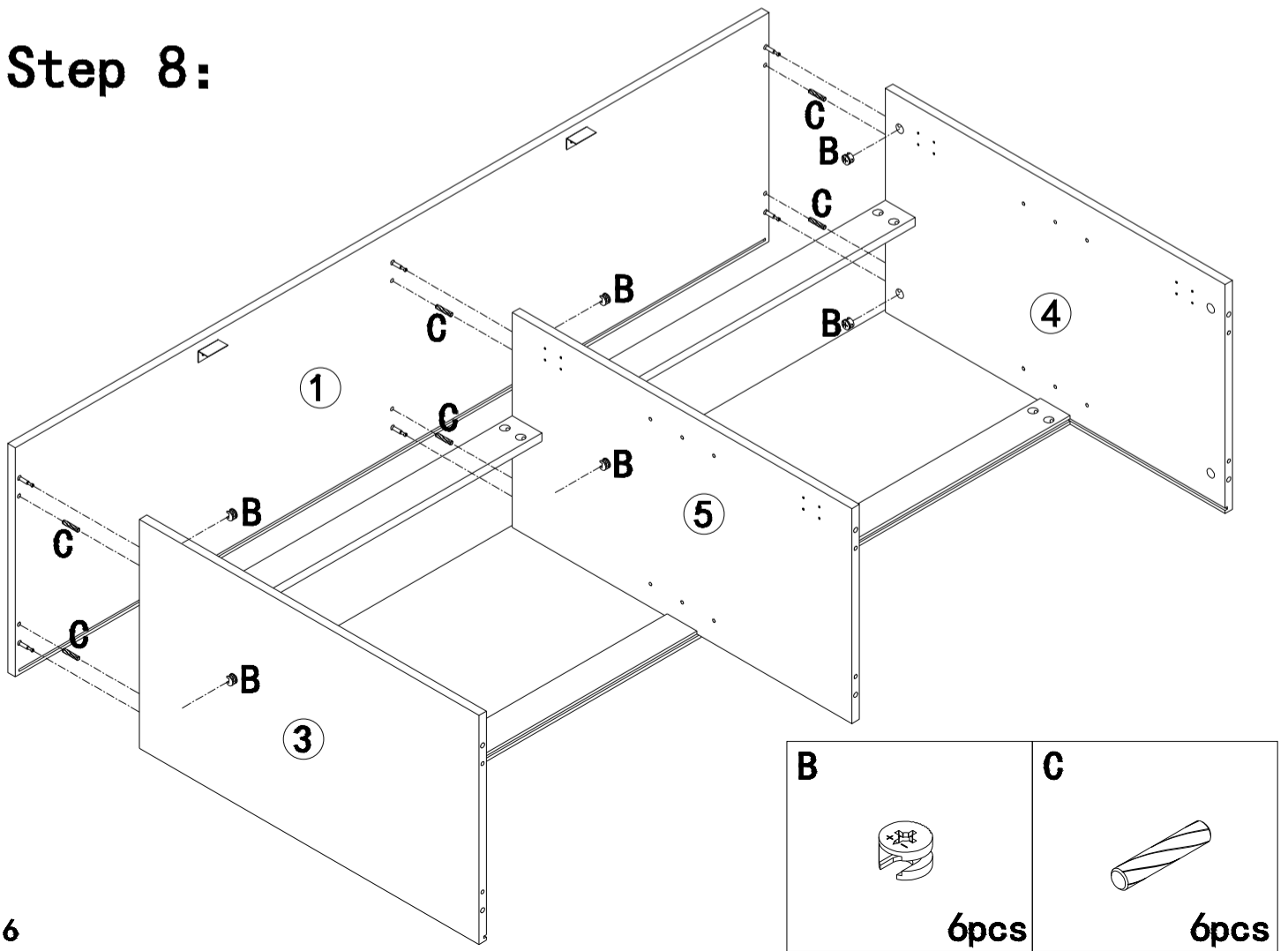




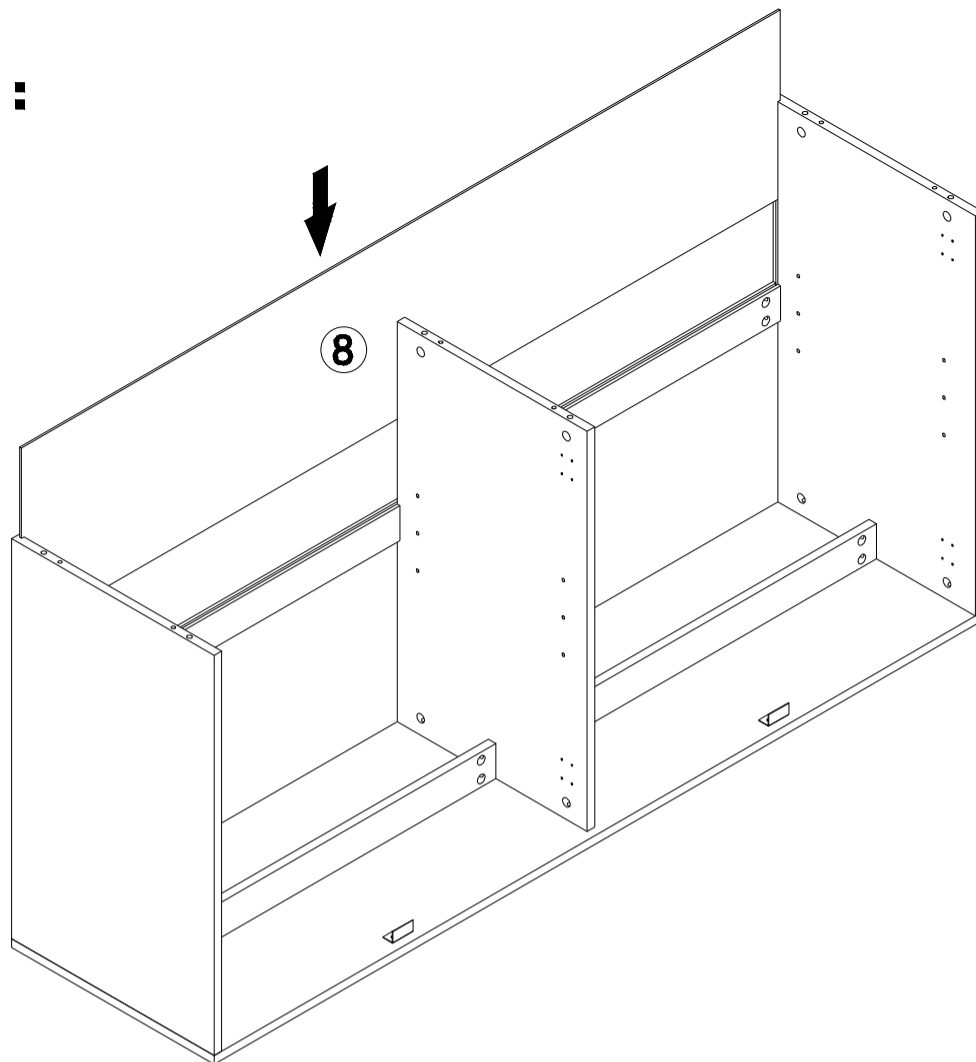
# Step 7:



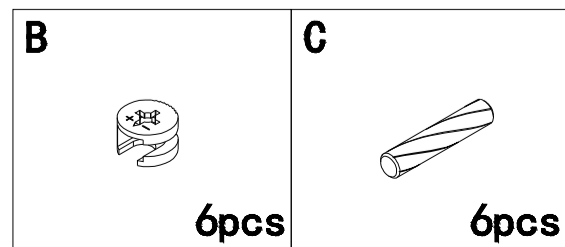
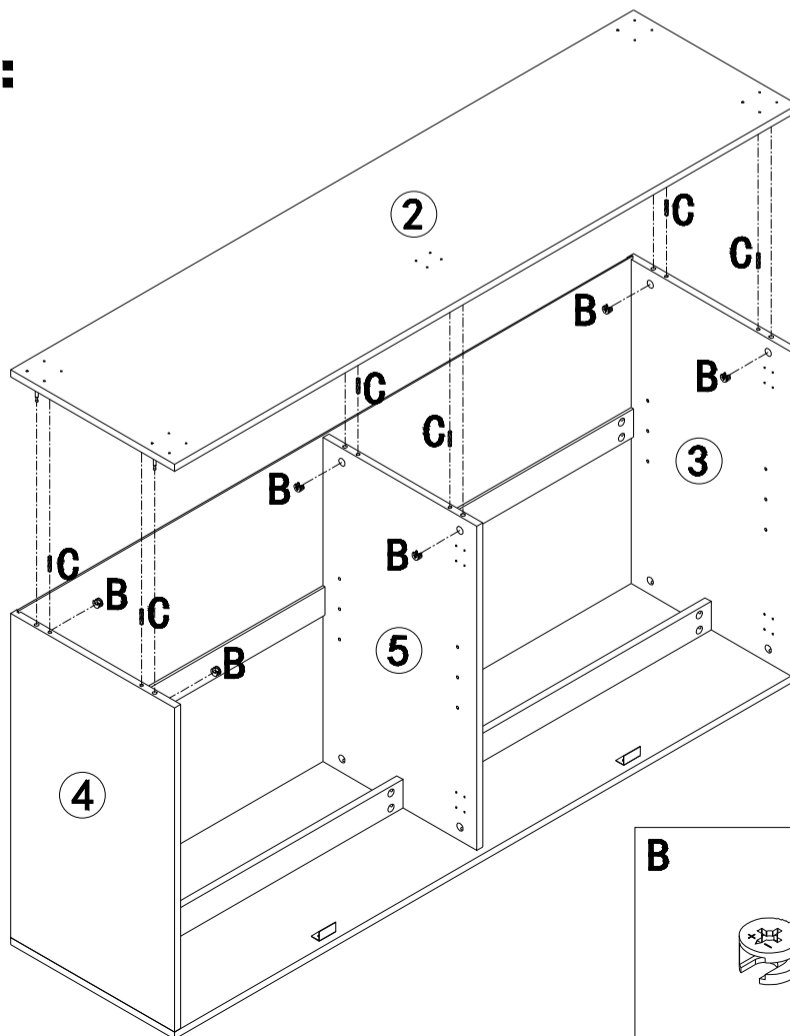
# Step 8:



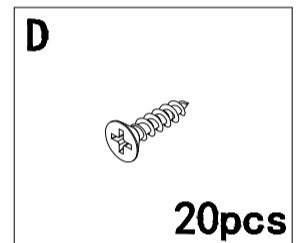
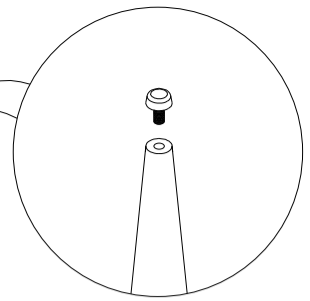
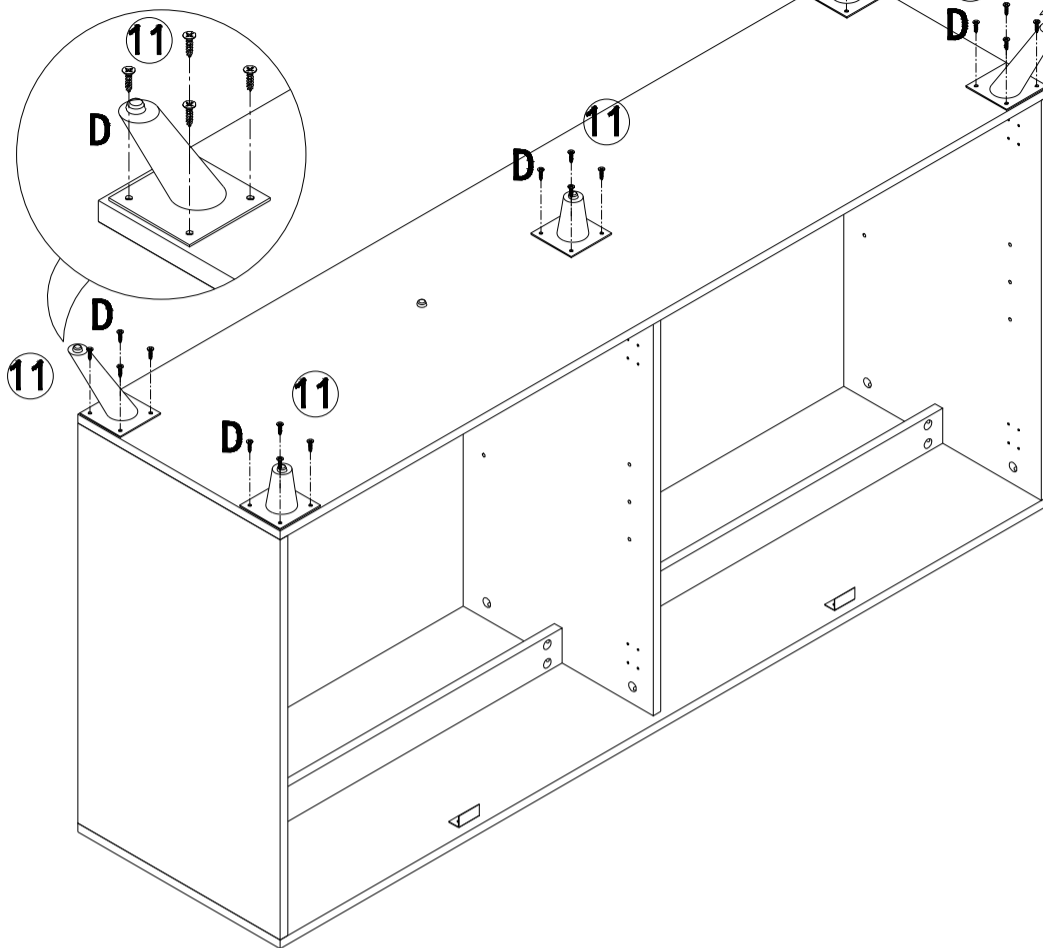
# Step 9:



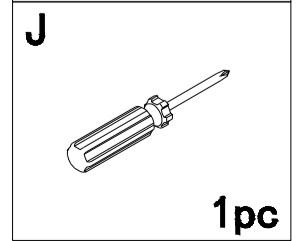
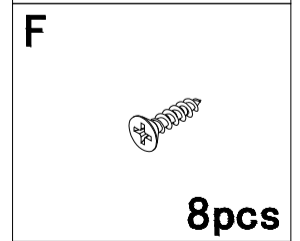
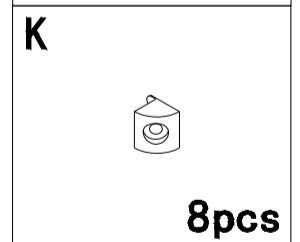
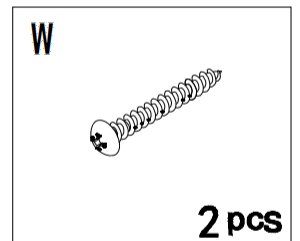
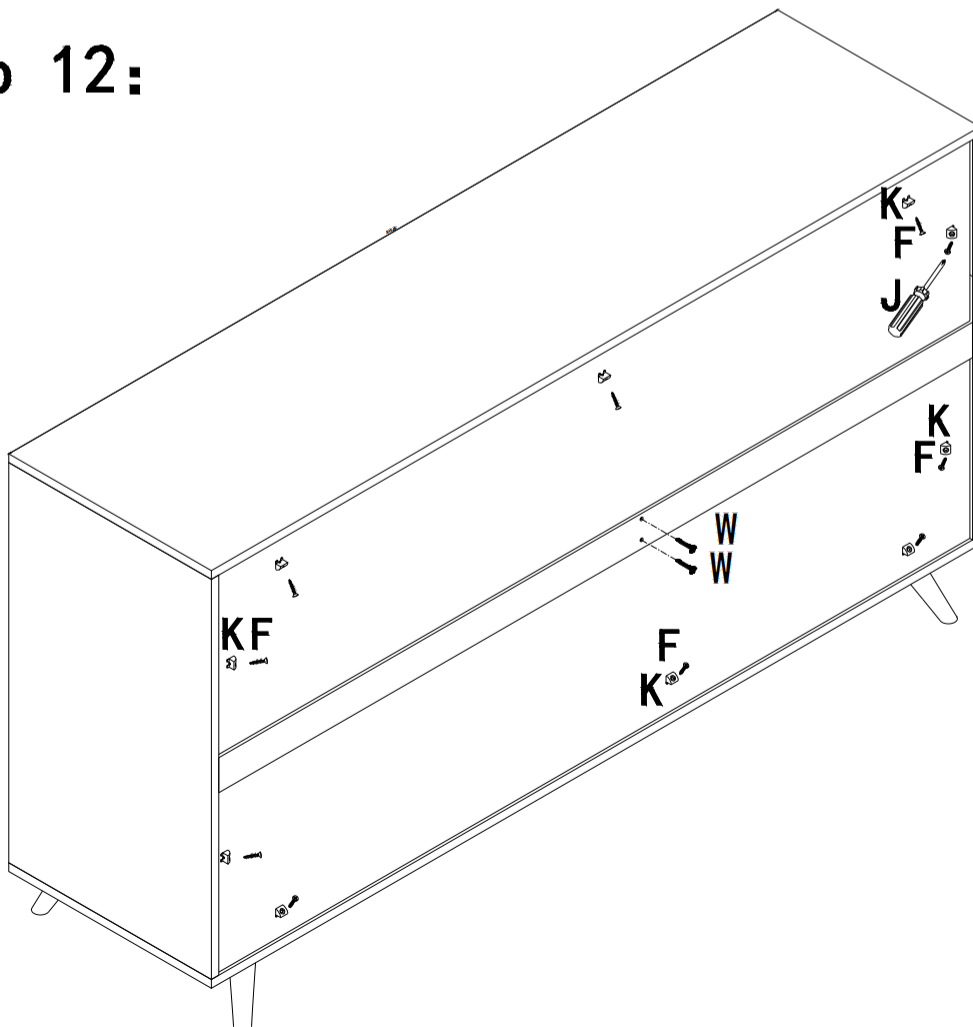
# Step 10:



# Step 11:

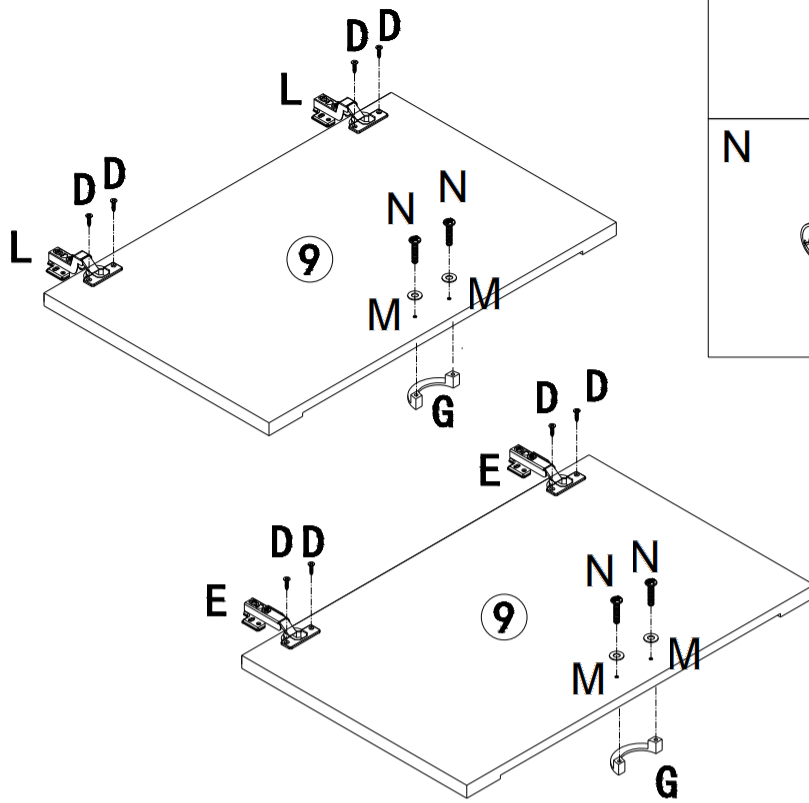


# Step 12:



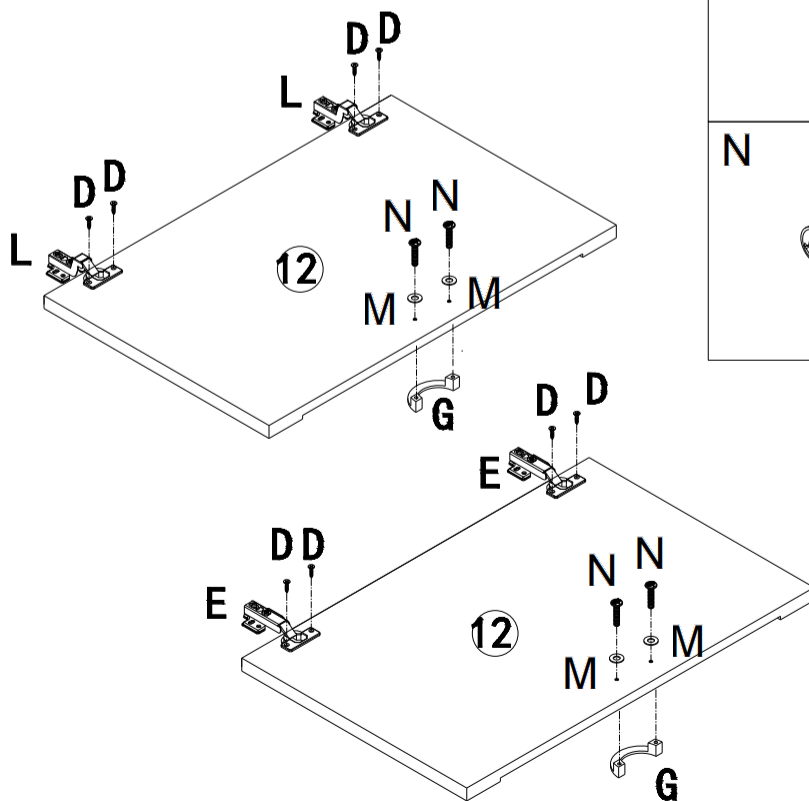


# Step 13:



M		D	
	4pcs		8pcs
N		E	
	4pcs		2pcs
		L	
			2pcs
		G	
			2pcs

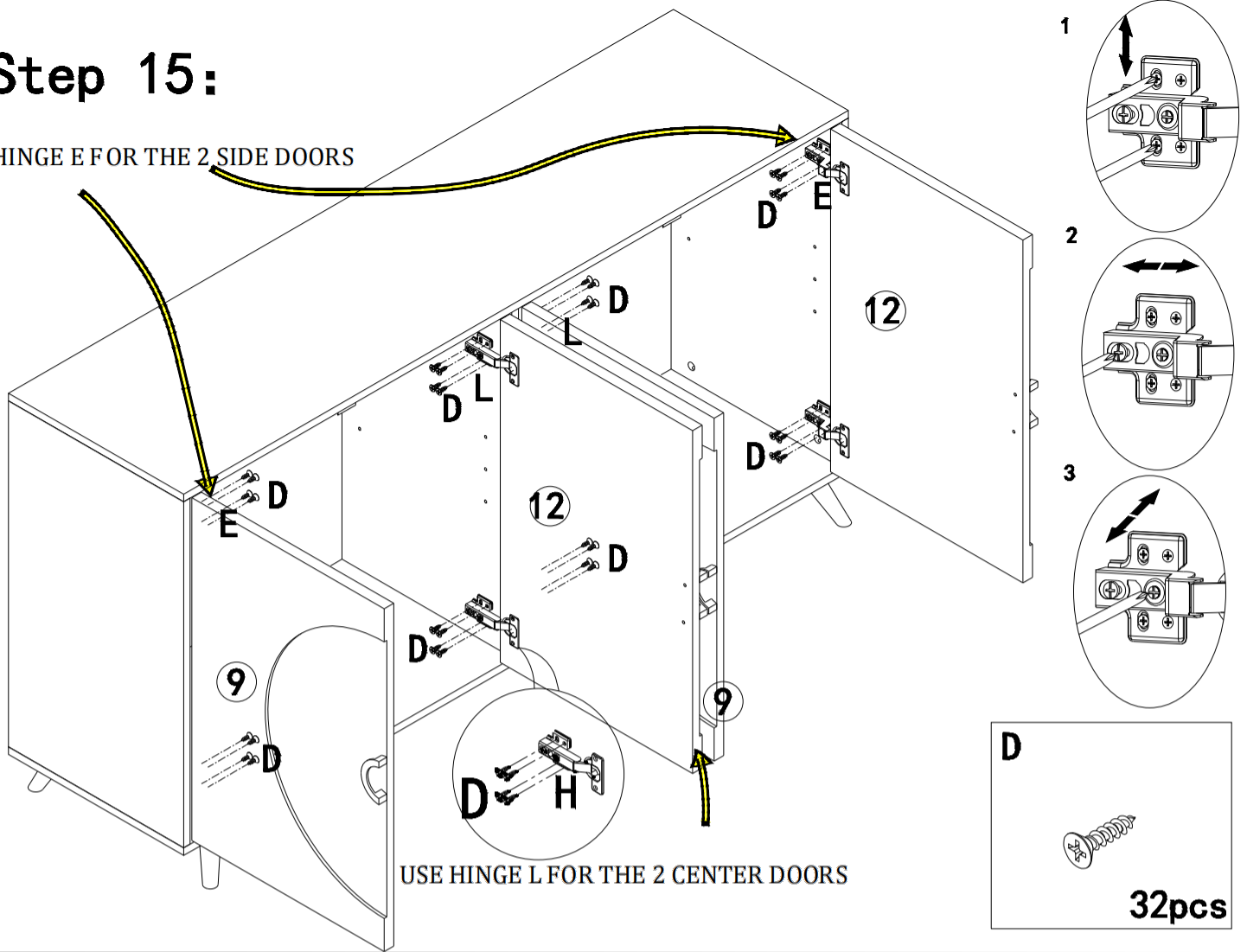
# Step 14:



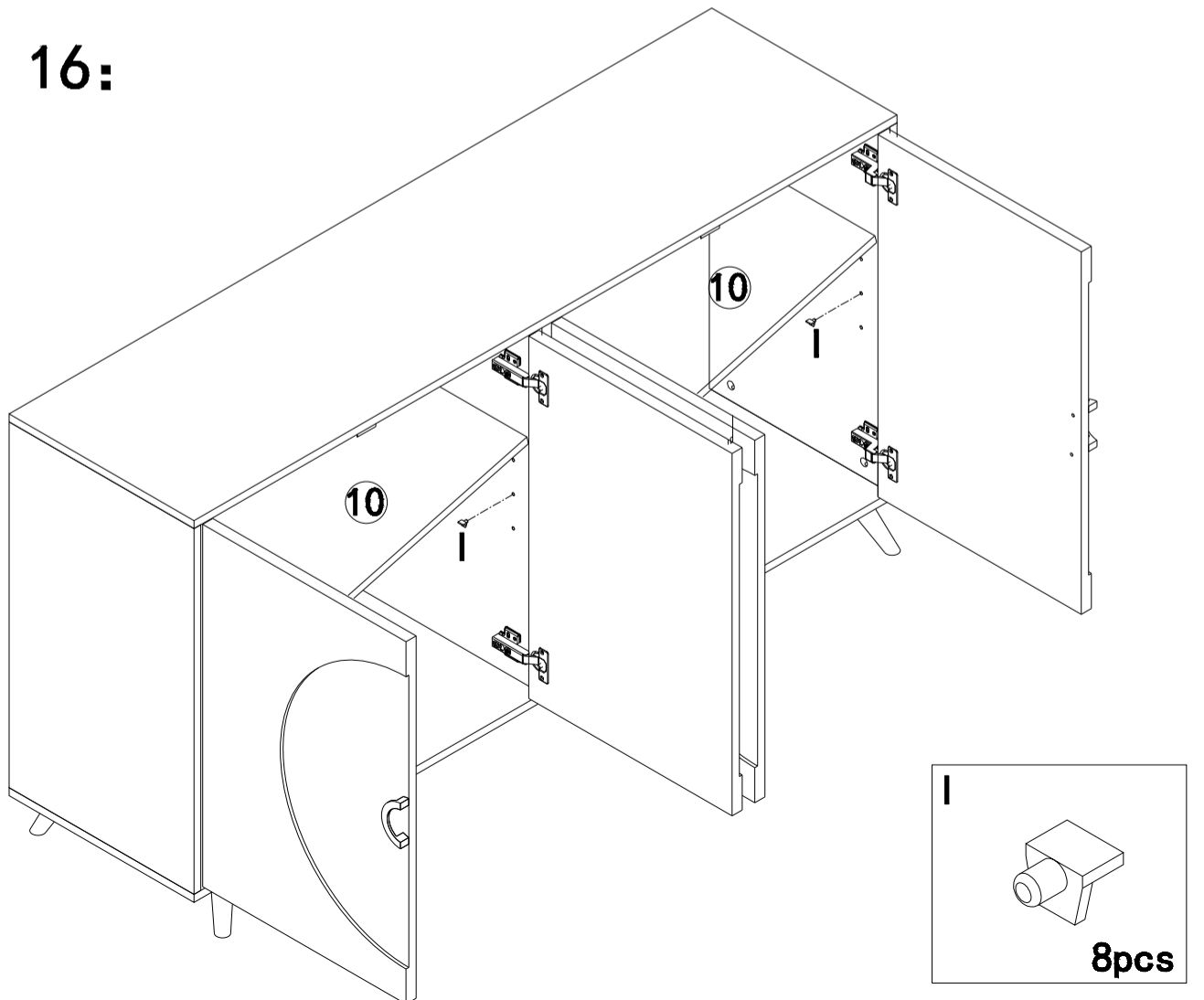
M		D	
	4pcs		8pcs
N		E	
	4pcs		2pcs
		L	
			2pcs
		G	
			2pcs

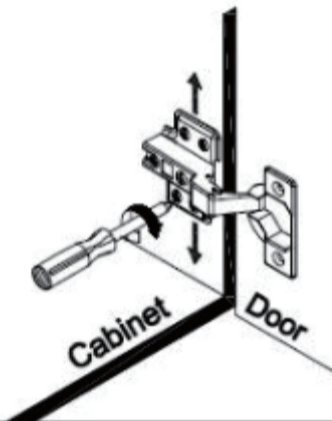
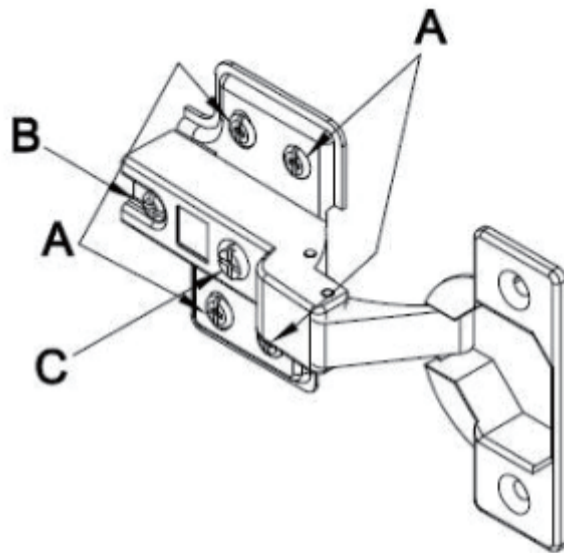
# Step 15:

USE HINGE E F FOR THE 2 SIDE DOORS



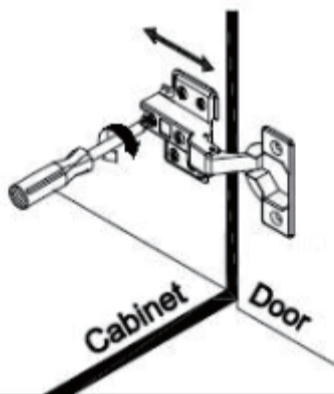
# Step 16:





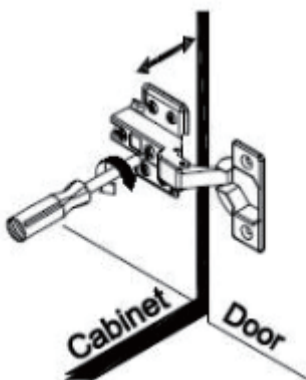
**To adjust the vertical height.**

Loosen the four screws "A" on both hinges. Two of them are usually in slotted holes which allows you to adjust up or down by a few mm. Then tighten back up.



**To adjust depth.**

Loosen screw "B" and adjust door, if the door can not be adjusted, please loosen screw "C", then try again. Tighten screw "B" and "C".



**To adjust side ways.**

Turning the screw "C" on BOTH hinges on each door.