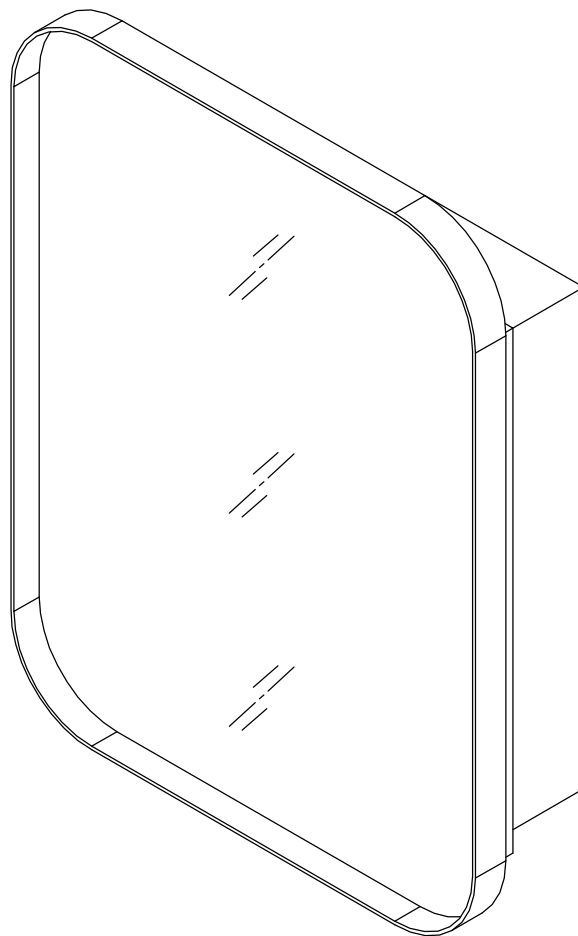


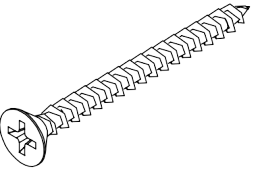
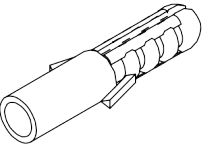
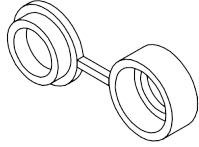
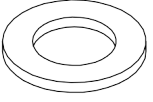
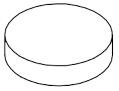
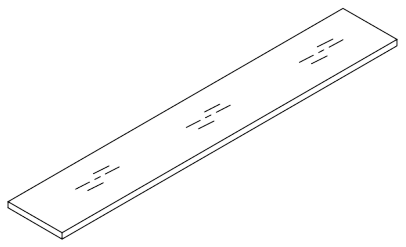
# MEDICINE CABINET

## Installation Guide



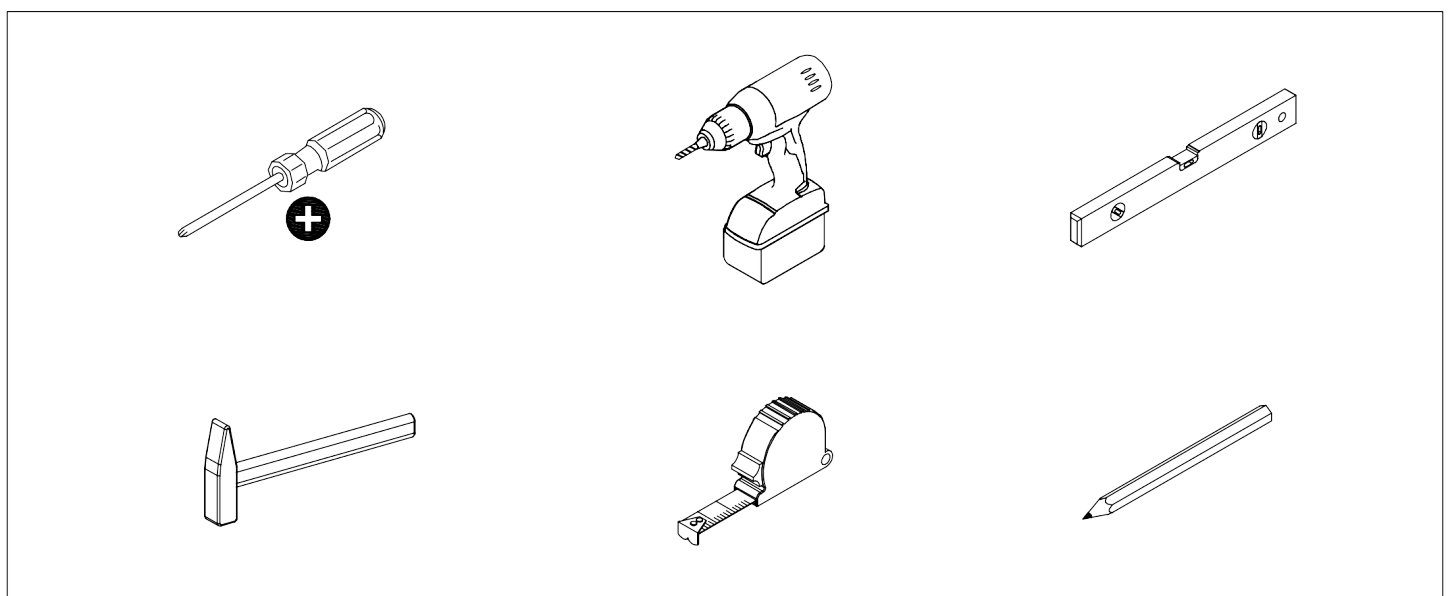
10FZFSMA23110-60

# List of Parts

<p>A 8pcs</p>  <p>Screws</p>	<p>B 8pcs</p>  <p>Rubber plug screws</p>	<p>C 8pcs</p>  <p>Screw cover</p>
<p>D 8pcs</p>  <p>Screw washers</p>	<p>E 12pcs</p>  <p>Rubber mat</p>	<p>F 2pcs</p>  <p>Glass shelf</p>

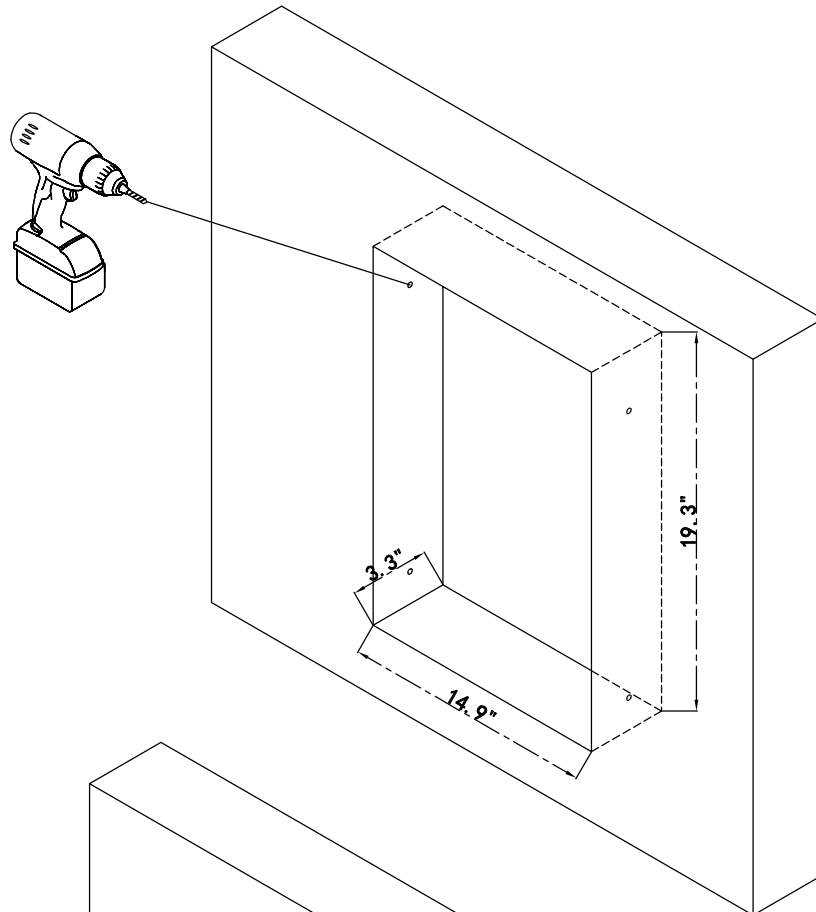
Please make sure all the parts are included.

# Additional Tools Required

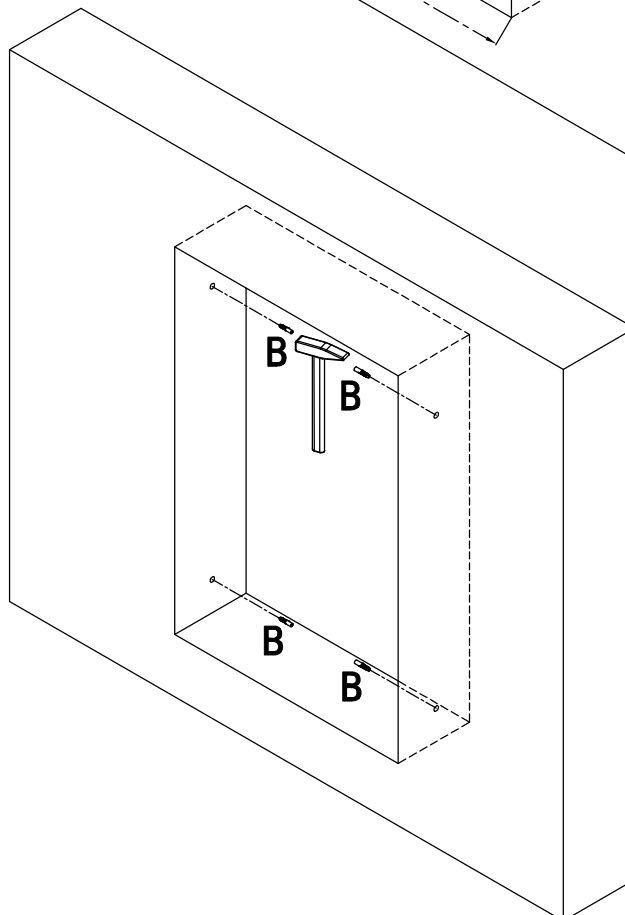


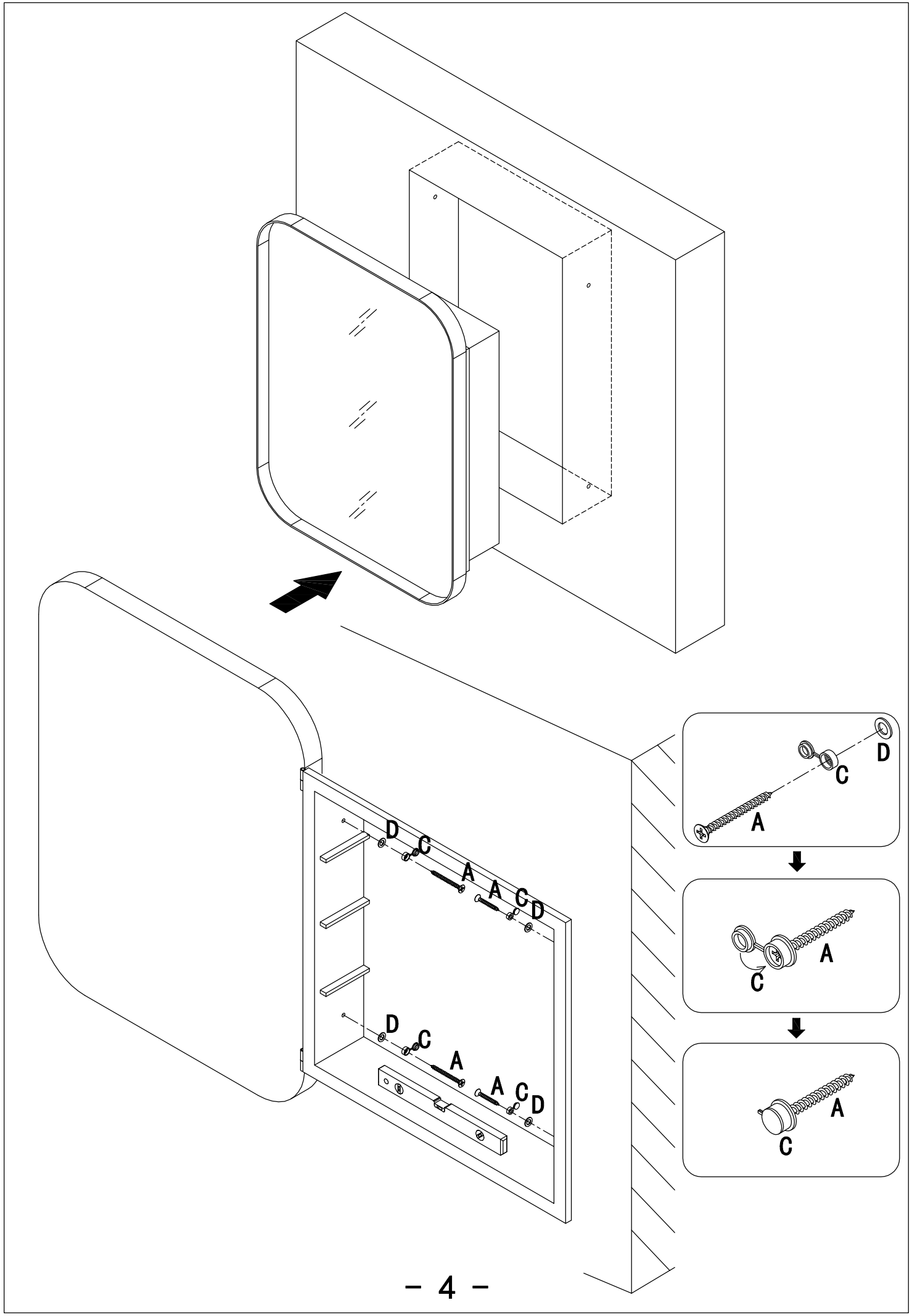
# Rough Wall Opening

Overall Size	Rough Wall Opening
16 in.(W) X 24 in.(H) X 4.5 in.(D)	14.9 in.(W) X 19.3 in.(H) X 3.3 in.(D)



Mark four (4) mounting holes on the wall corresponding to the pre-drilled hole locations in the mounting bars on the inside back panel of the cabinet.





# Surface installation

Mark four (4) mounting holes on the wall corresponding to the pre-drilled hole locations in the mounting bars on the inside back panel of the cabinet.

