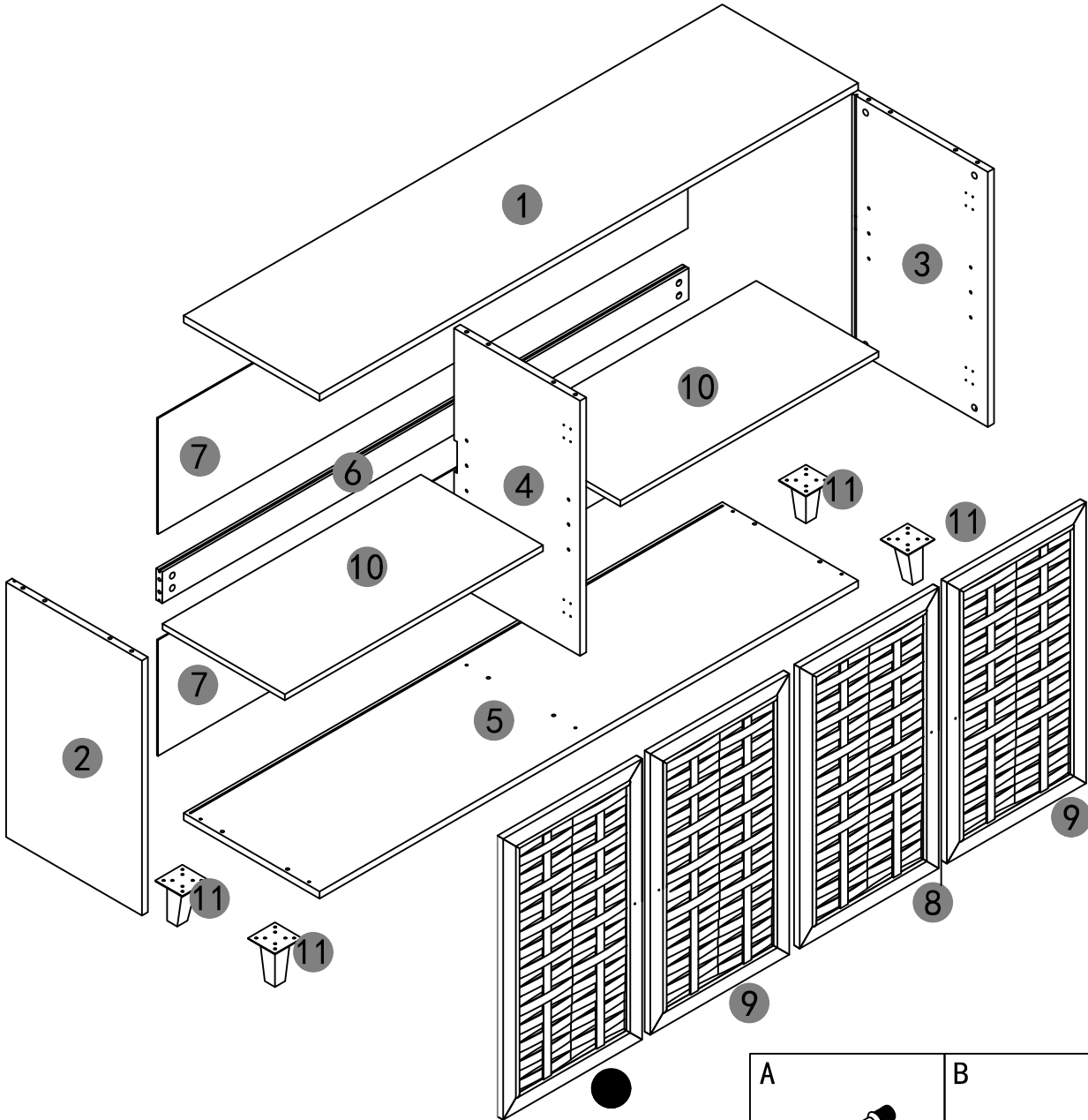





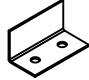

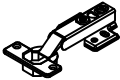




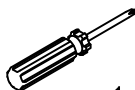



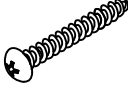
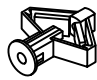




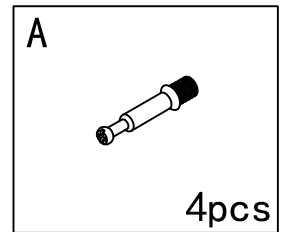
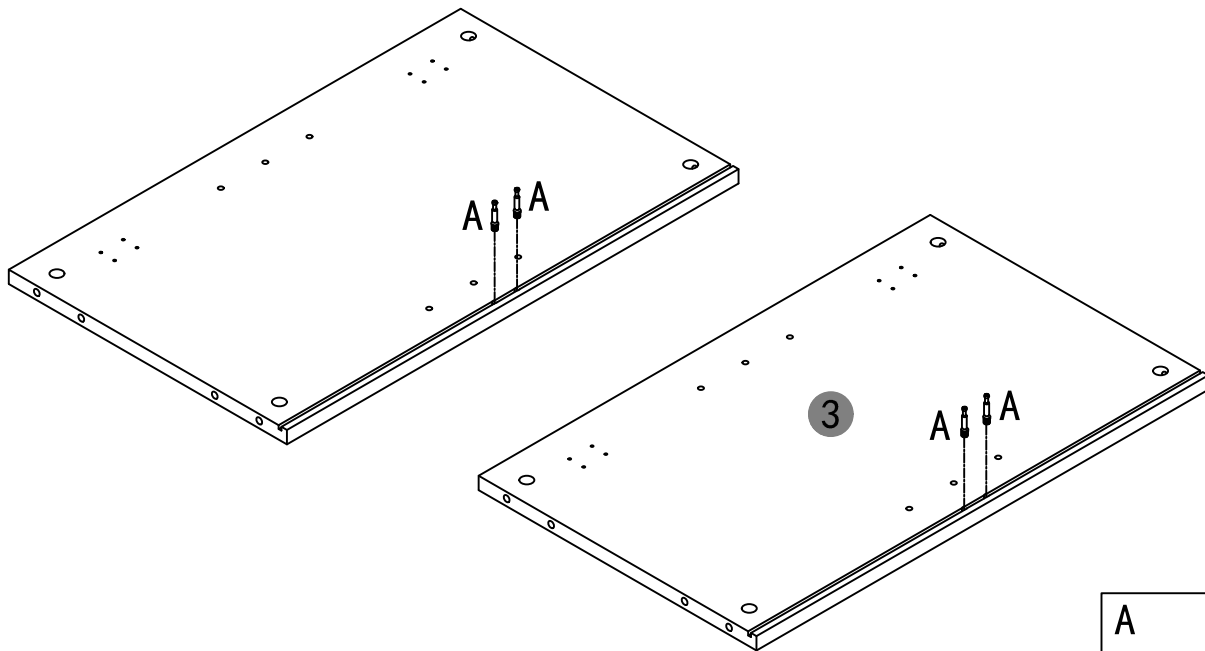
# Parts List



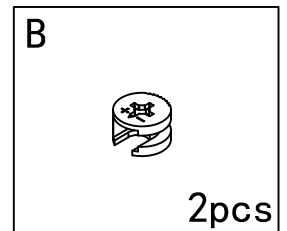
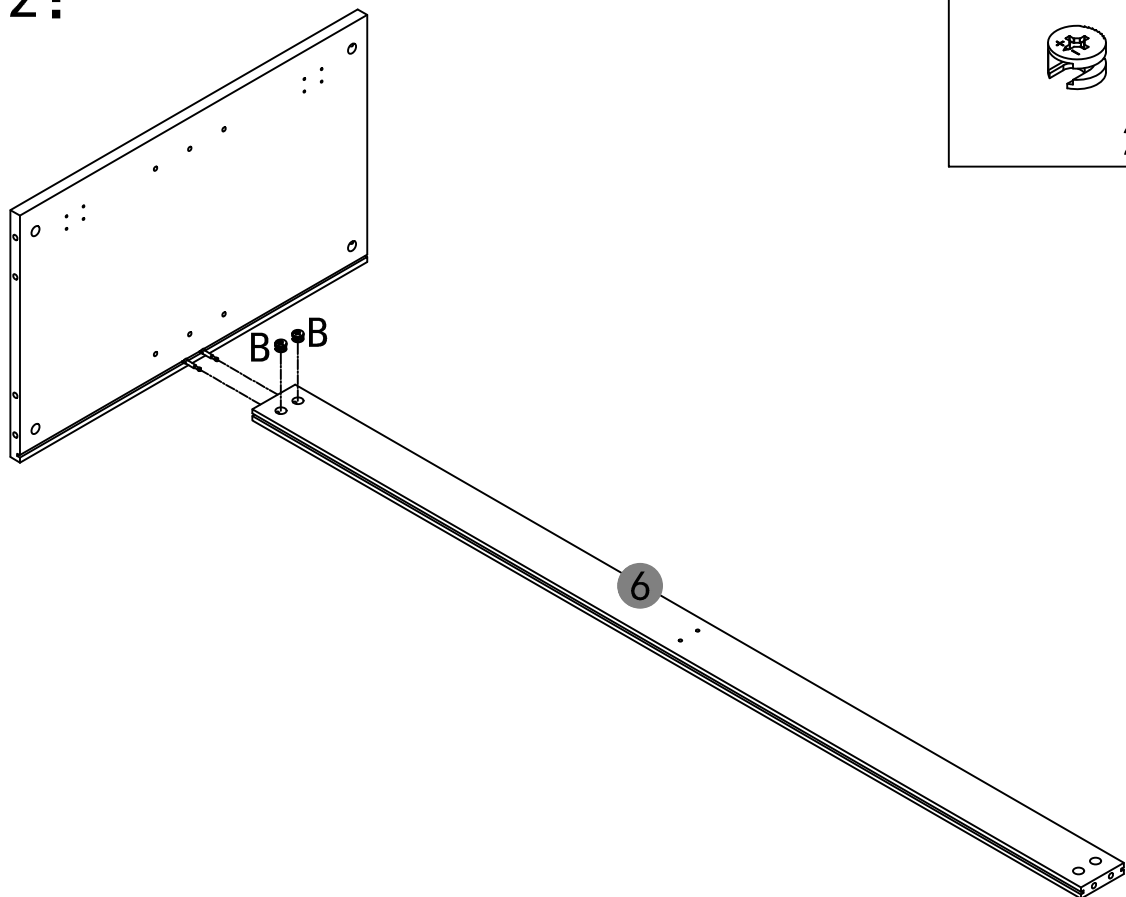
<p>A</p>  <p>16pcs</p>	<p>B</p>  <p>16pcs</p>
---	---

<p>C</p>  <p>12pcs</p>	<p>D</p>  <p>4pcs</p>	<p>E</p>  <p>4pcs</p>	<p>F</p>  <p>2pcs</p>	<p>G</p>  <p>60pcs</p>	<p>H</p>  <p>4pcs</p>
<p>I</p>  <p>20pcs</p>	<p>J</p>  <p>4pcs</p>	<p>K</p>  <p>8pcs</p>	<p>L</p>  <p>8pcs</p>	<p>M</p>  <p>1pc</p>	<p>P</p>  <p>4pcs</p>
<p>R</p>  <p>1pc</p>	<p>S</p>  <p>1pc</p>	<p>T</p>  <p>1pc</p>	<p>U</p>  <p>1pc</p>	<p>V</p>  <p>1pc</p>	<p>W</p>  <p>2pcs</p>

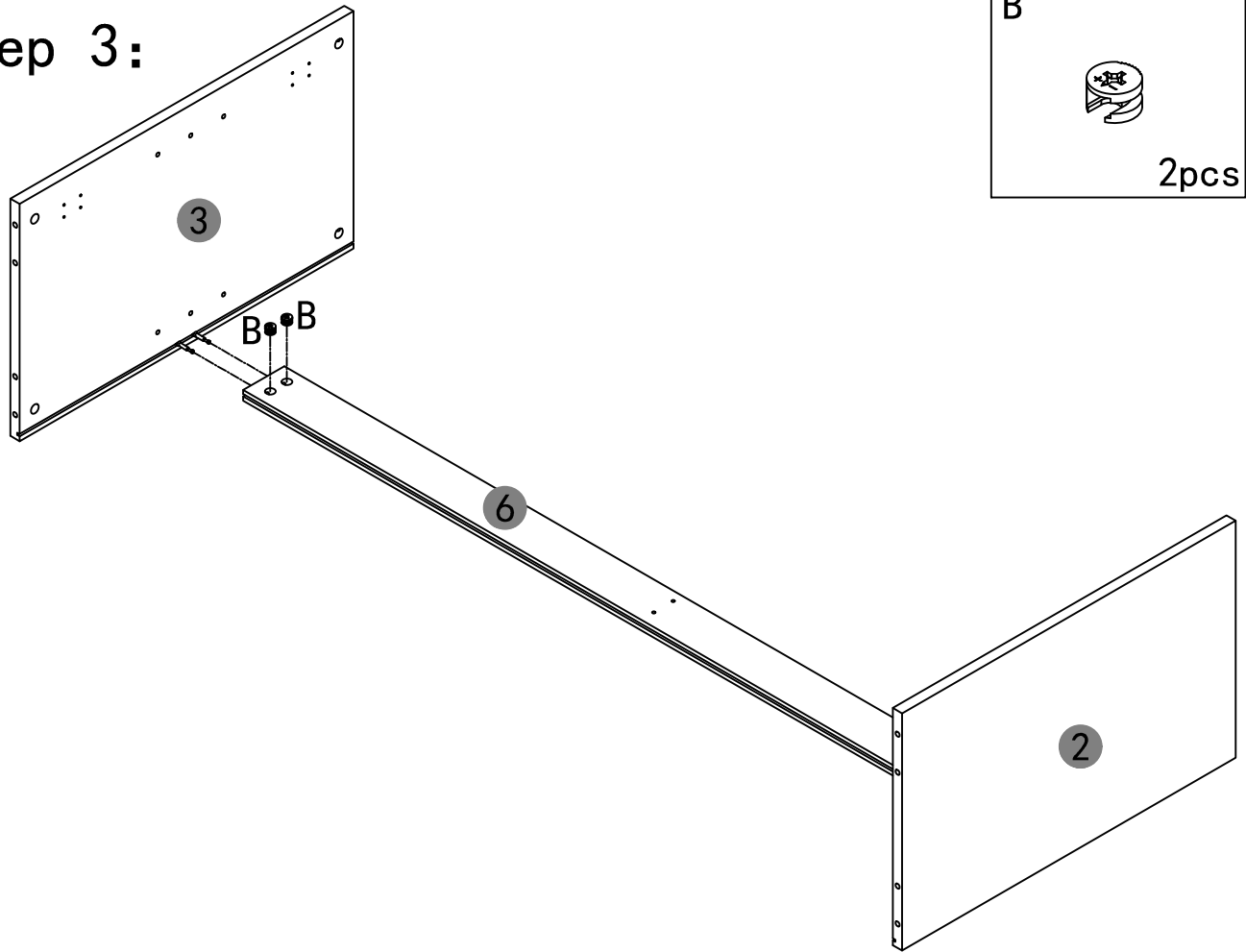
# Step 1:



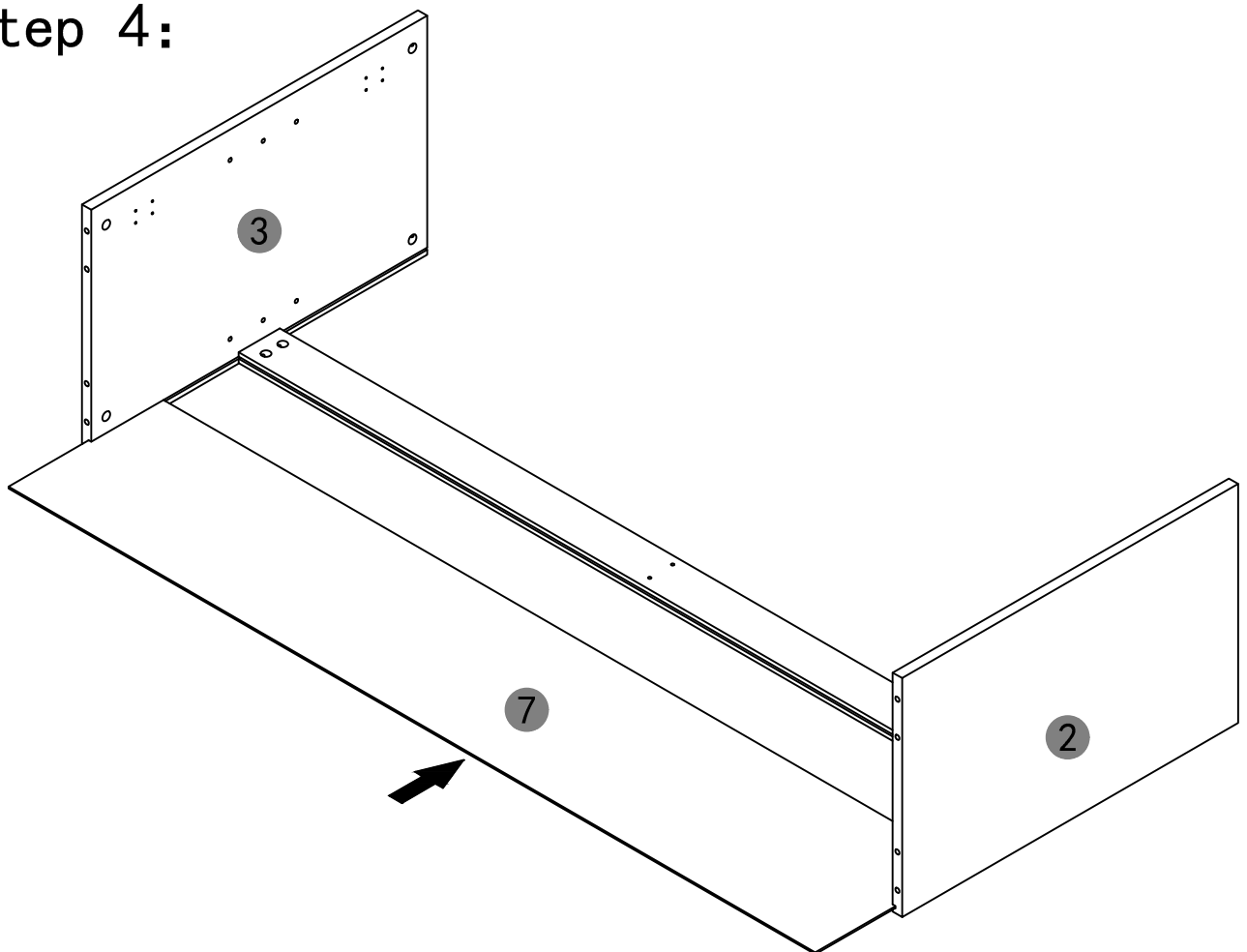
# Step 2:



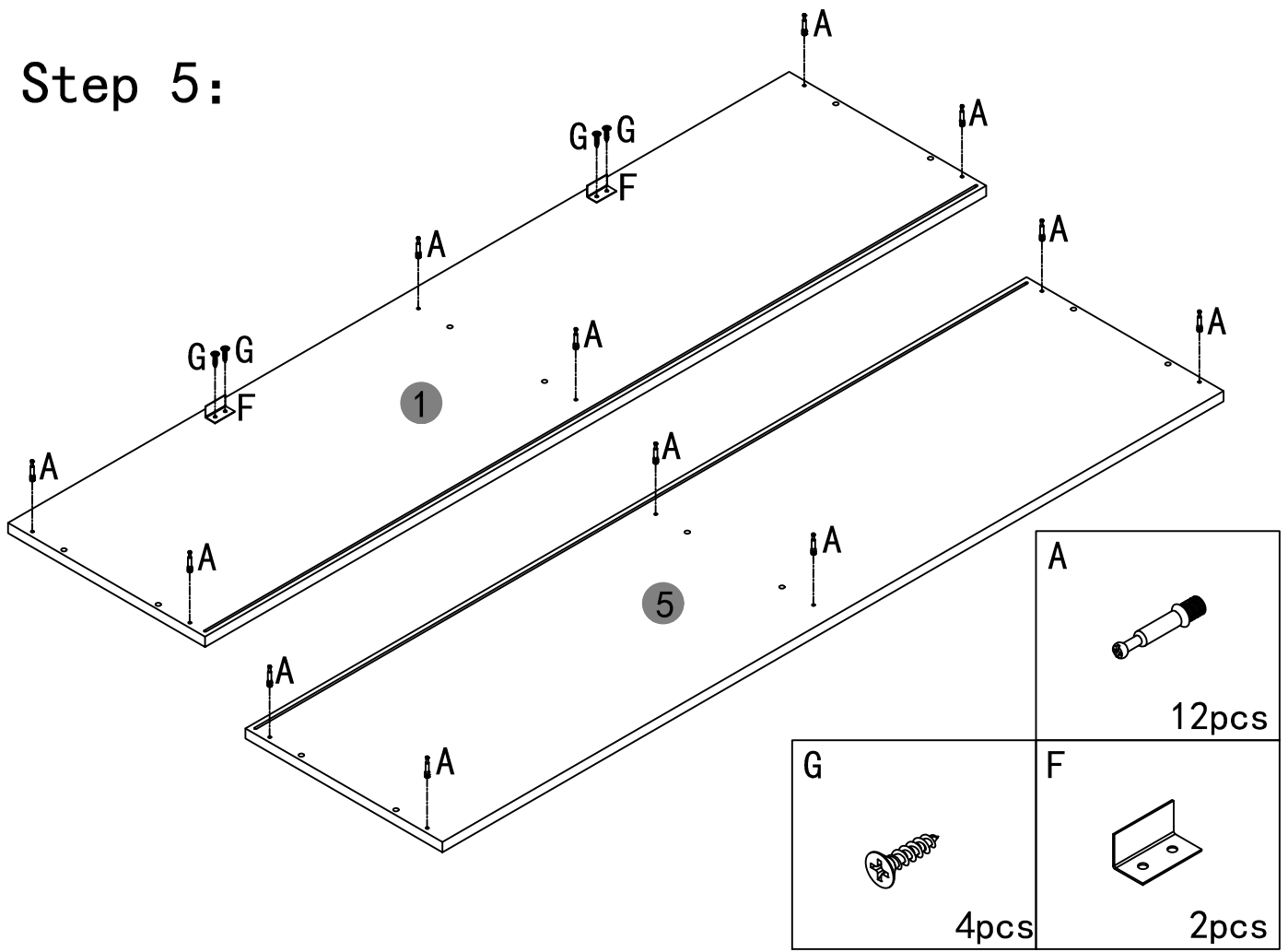
### Step 3:



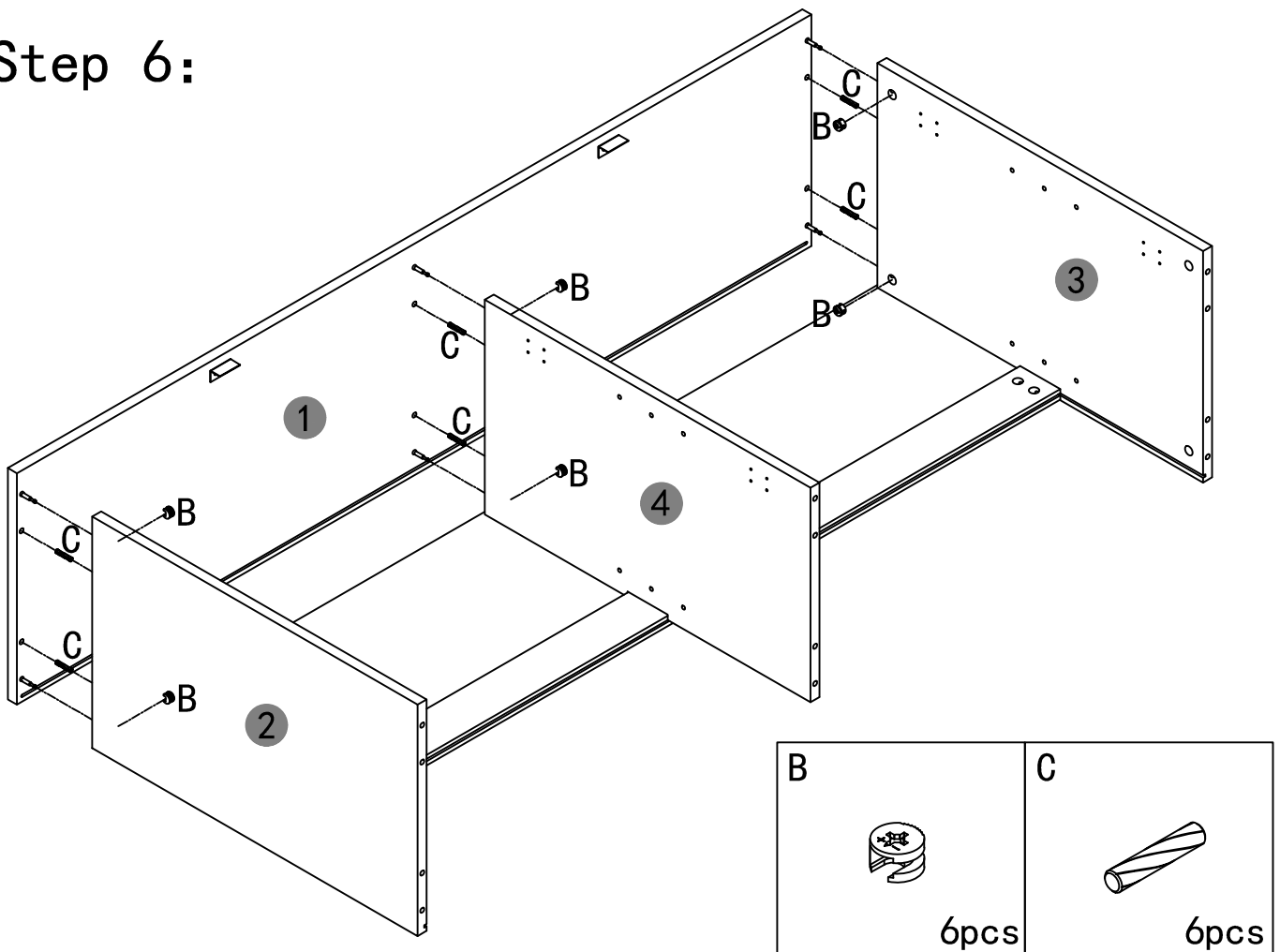
### Step 4:



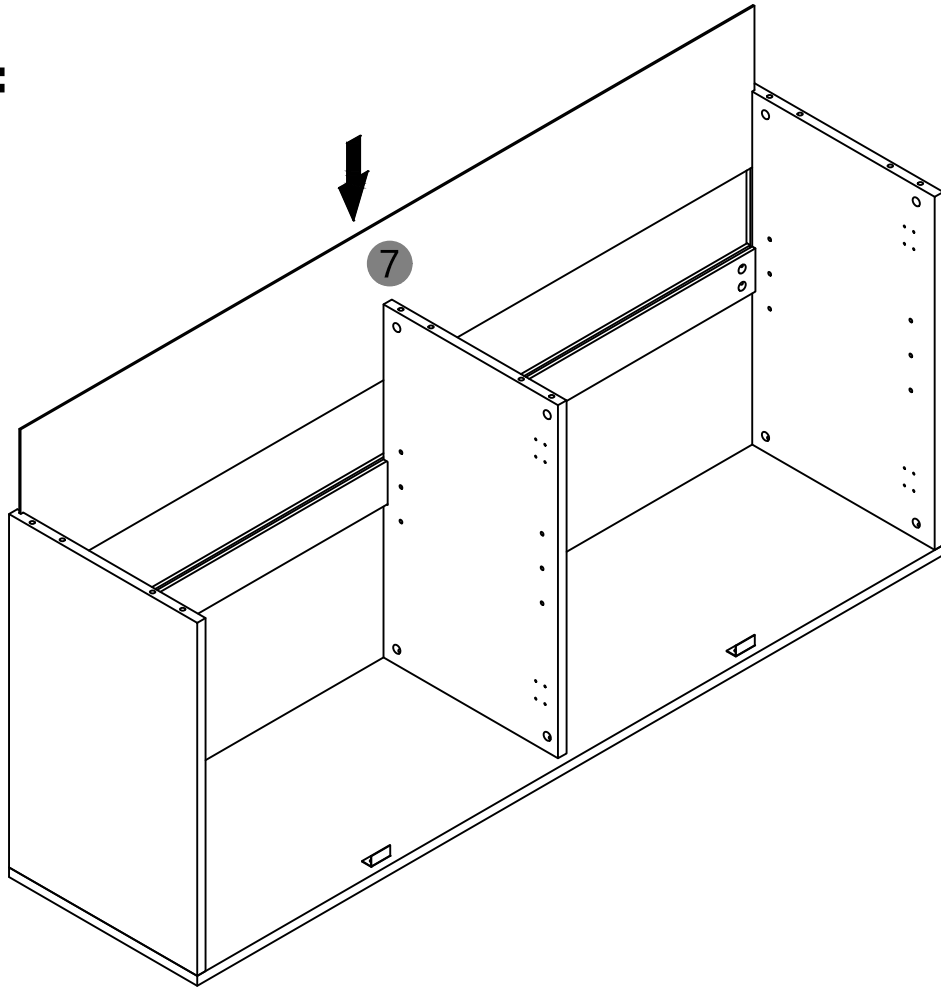
# Step 5:



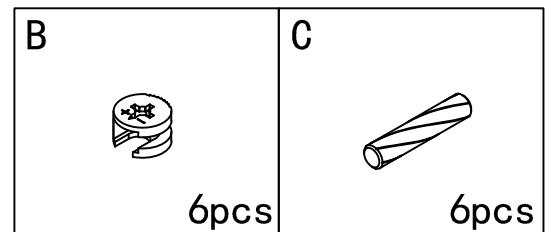
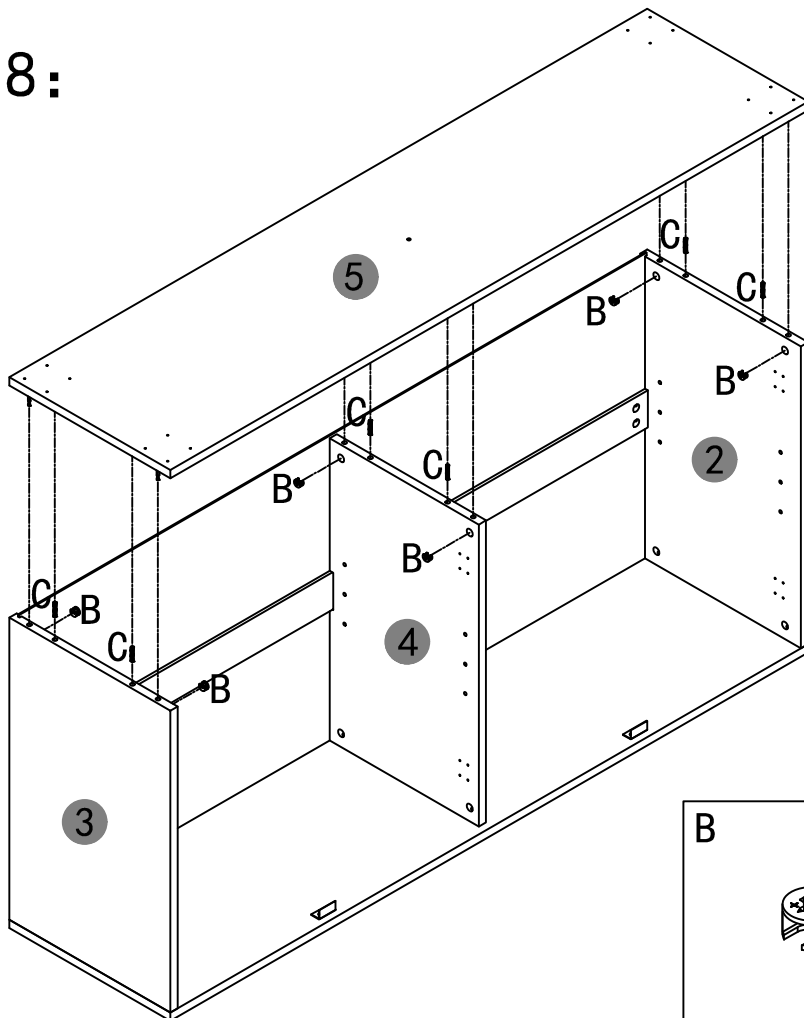
# Step 6:



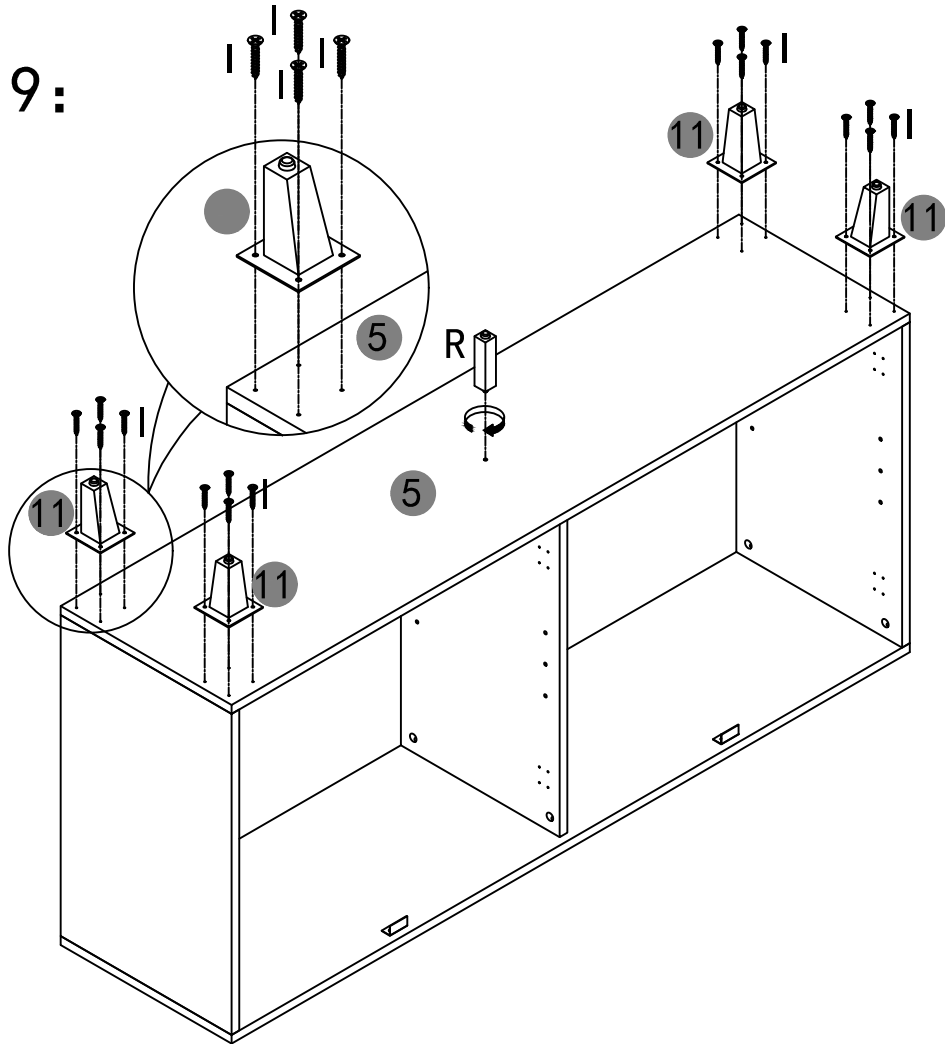
# Step 7:





# Step 8:

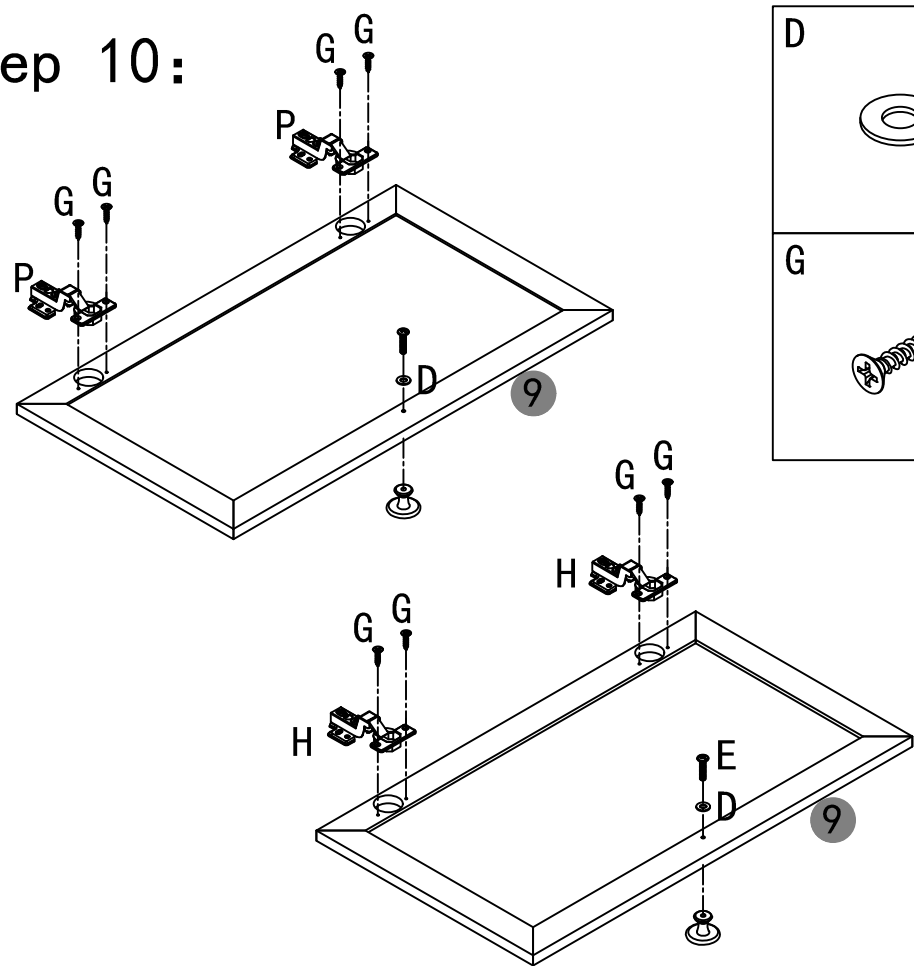





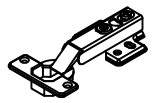


# Step 9:



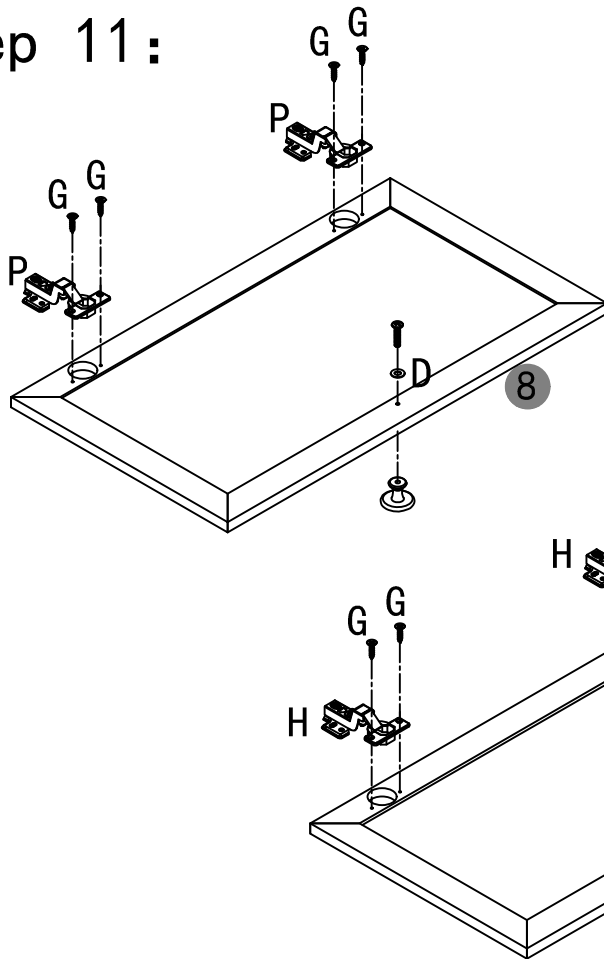
I		16pcs
R		1pc




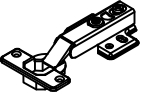


# Step 10:



D		2pcs
E		2pcs
G		8pcs
H		2pcs
J		2pcs
P		2pcs

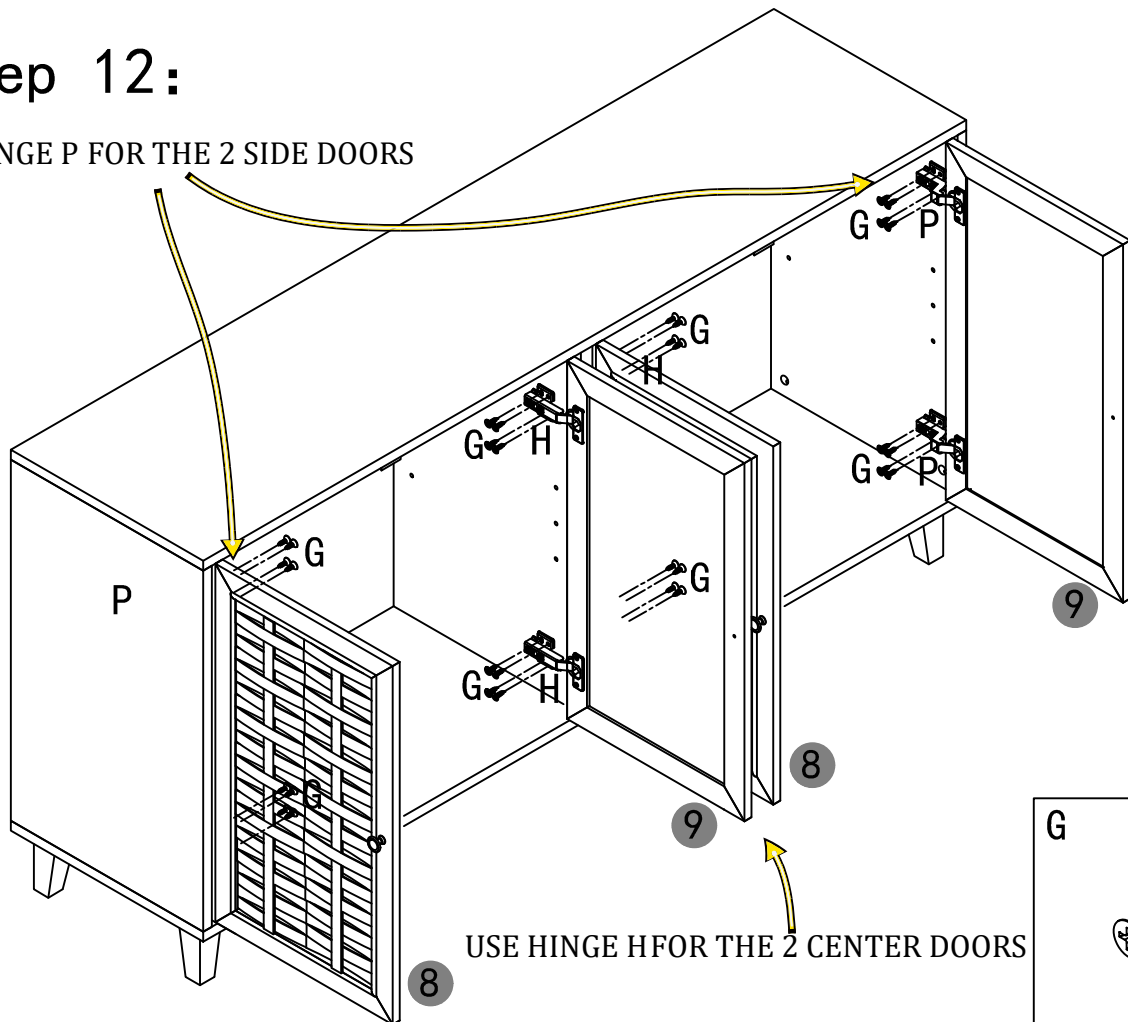
# Step 11:



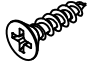
D	E
	
2pcs	2pcs
G	H
	
8pcs	2pcs
J	P
	
2pcs	2pcs

# Step 12:

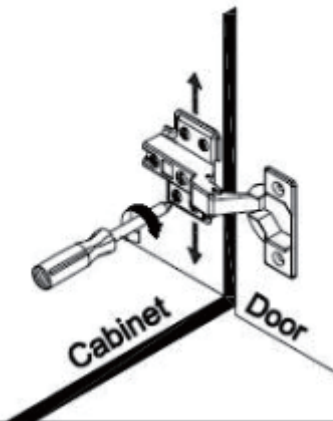
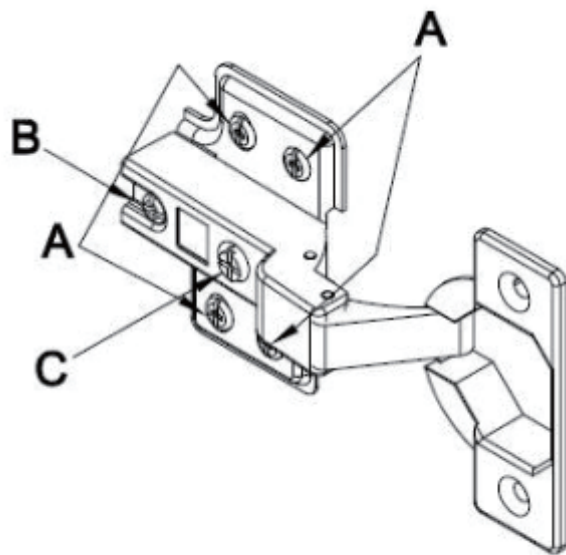
USE HINGE P FOR THE 2 SIDE DOORS



USE HINGE H FOR THE 2 CENTER DOORS

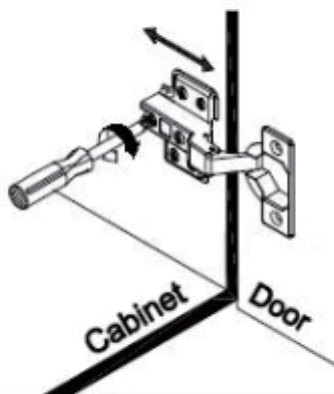
G

32pcs





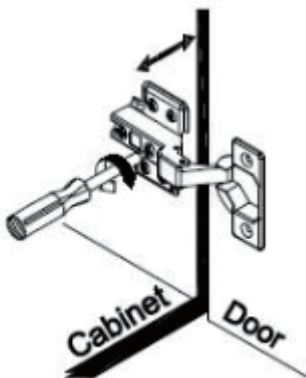
**To adjust the vertical height.**

Loosen the four screws "A" on both hinges. Two of them are usually in slotted holes which allows you to adjust up or down by a few mm. Then tighten back up.



**To adjust depth.**

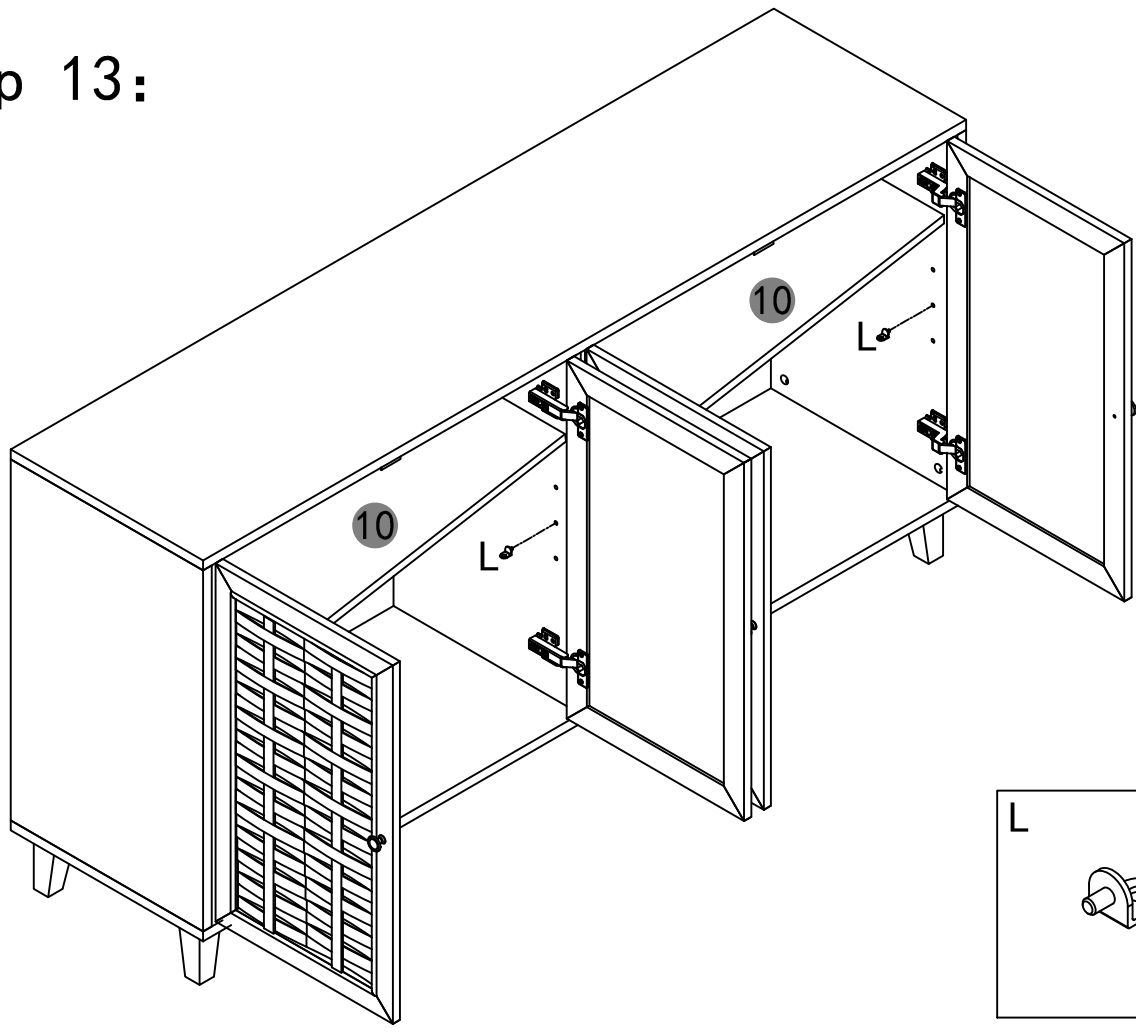
Loosen screw "B" and adjust door, if the door can not be adjusted, please loosen screw "C", then try again. Tighten screw "B" and "C".




**To adjust side ways.**

Turning the screw "C" on BOTH hinges on each door.

# Step 13:

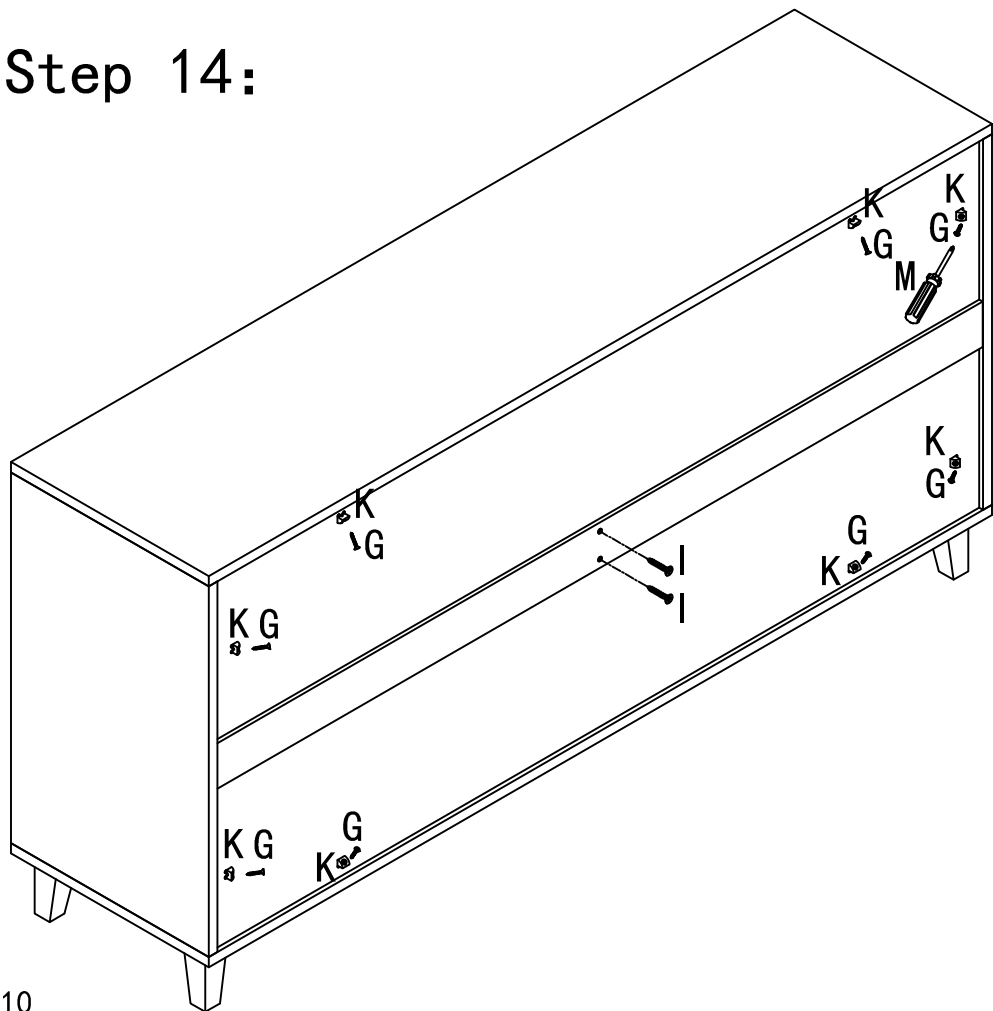


L




8pcs

# Step 14:




G




8pcs

I



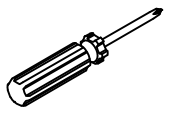
2pcs

K



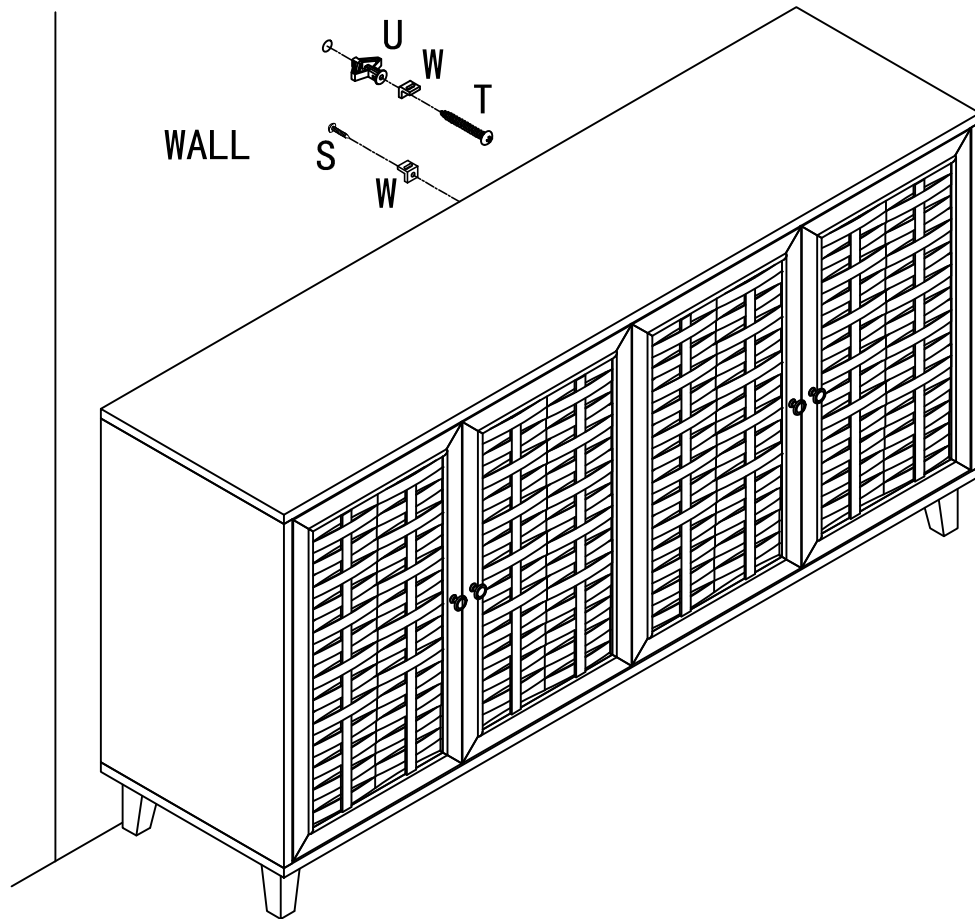
8pcs


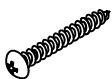
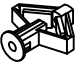
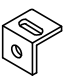
M



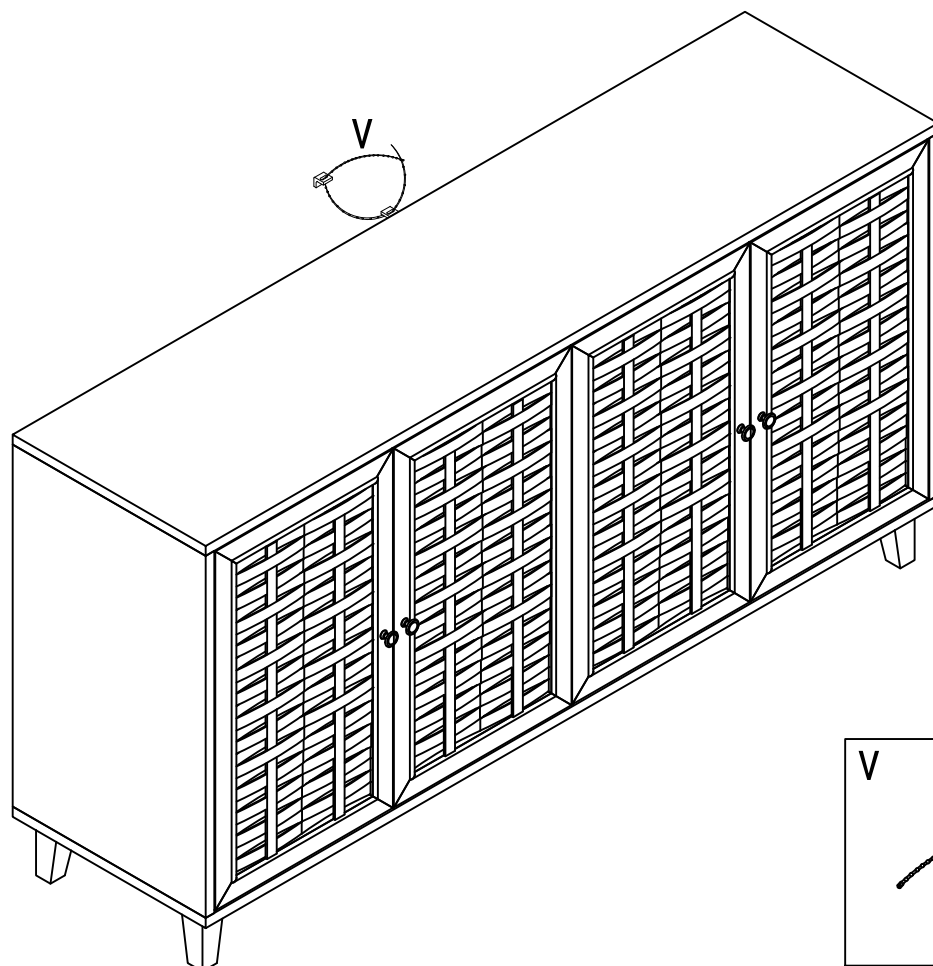
1pc


# Step 15:



S		1pc
T		1pc
U		1pc
W		2pcs

# Step 16:



V		1pc
---	---	-----