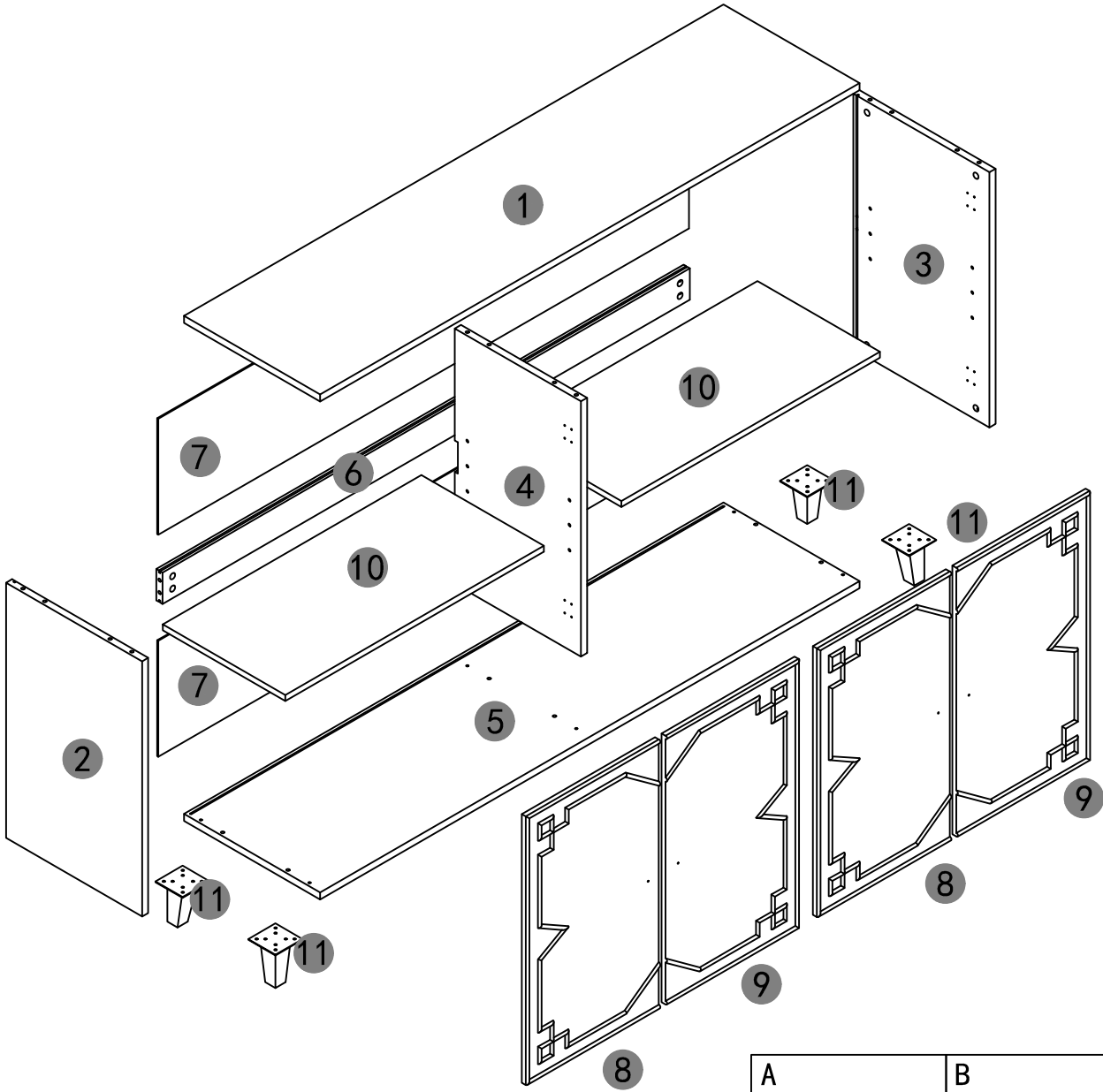





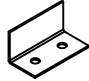

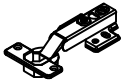




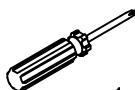



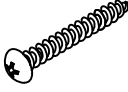
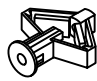


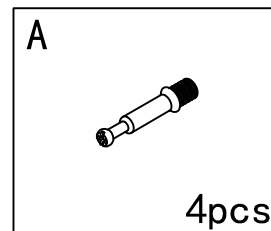
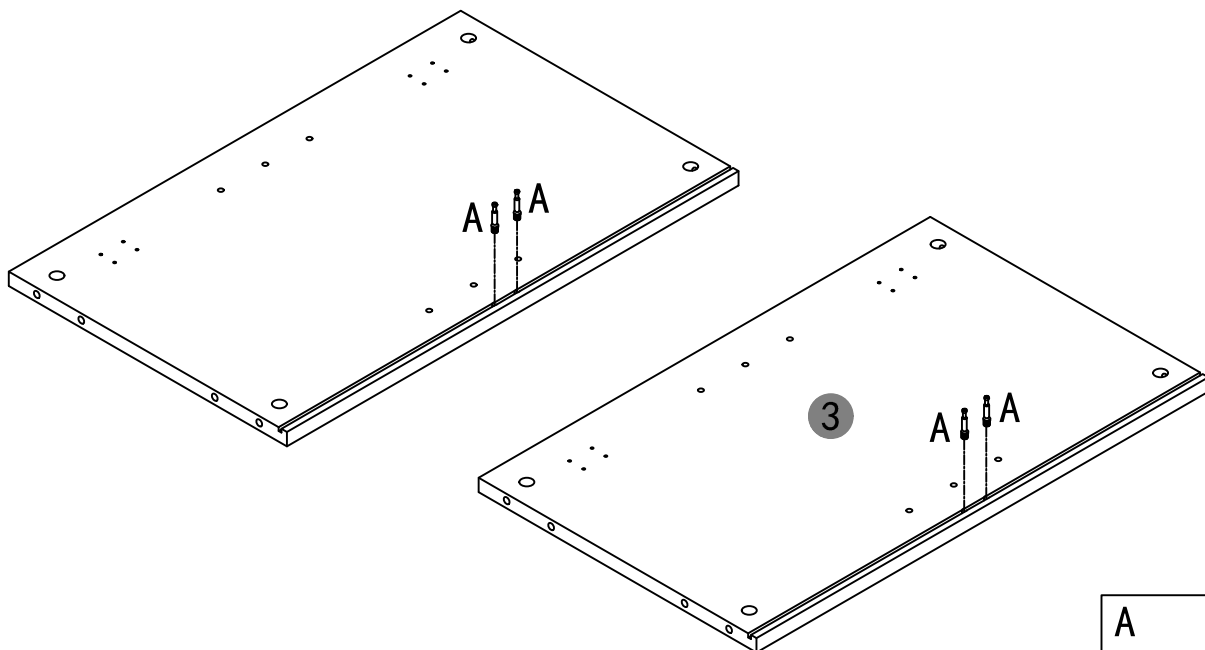


# Parts List

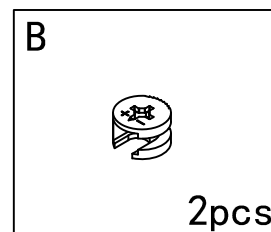
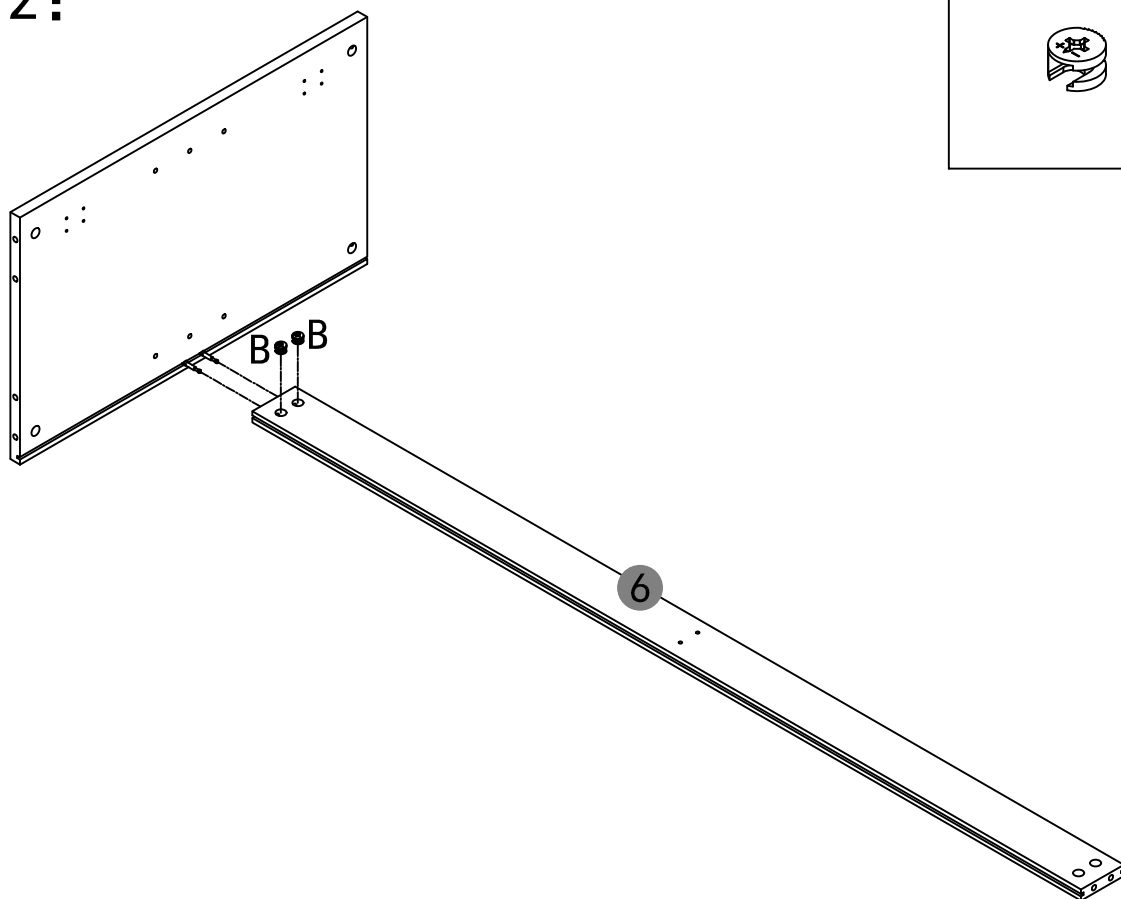


				A	B
					
				16pcs	16pcs
C	D	E	F	G	H
					
12pcs	4pcs	4pcs	2pcs	60pcs	4pcs
I	J	K	L	M	P
					
20pcs	4pcs	8pcs	8pcs	1pc	4pcs
R	S	T	U	V	W
					
1pc	1pc	1pc	1pc	1pc	2pcs

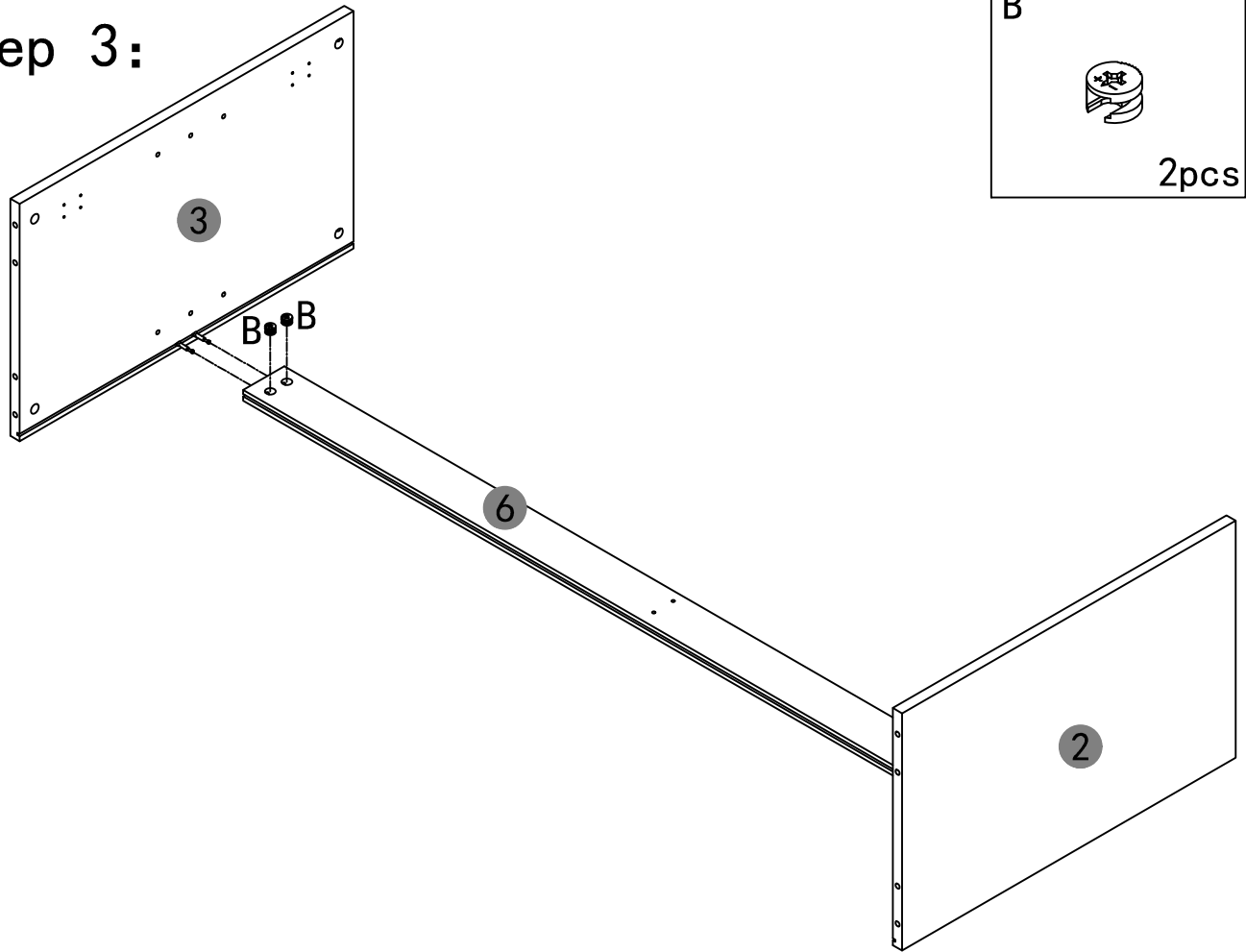
# Step 1:



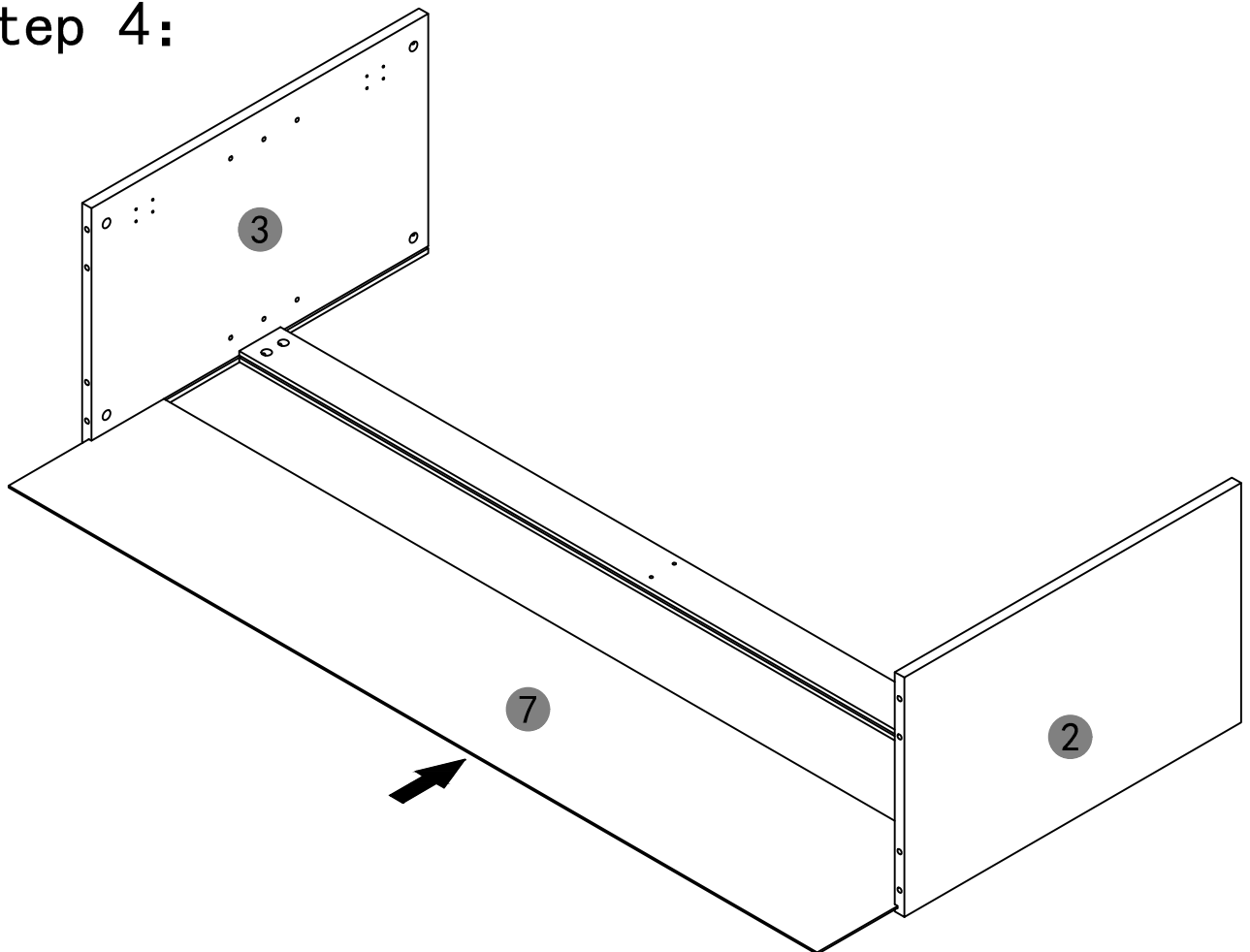
# Step 2:



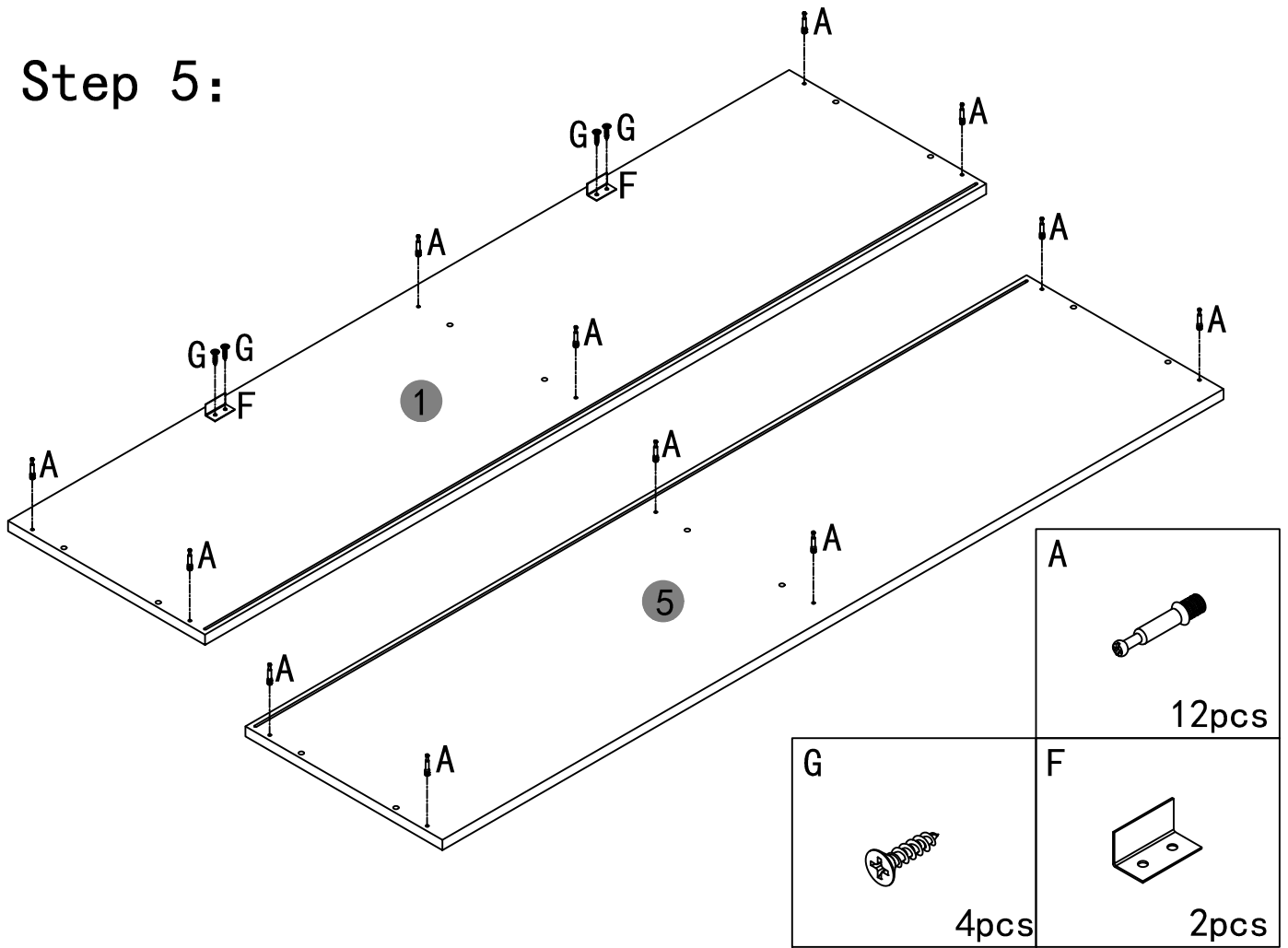
### Step 3:



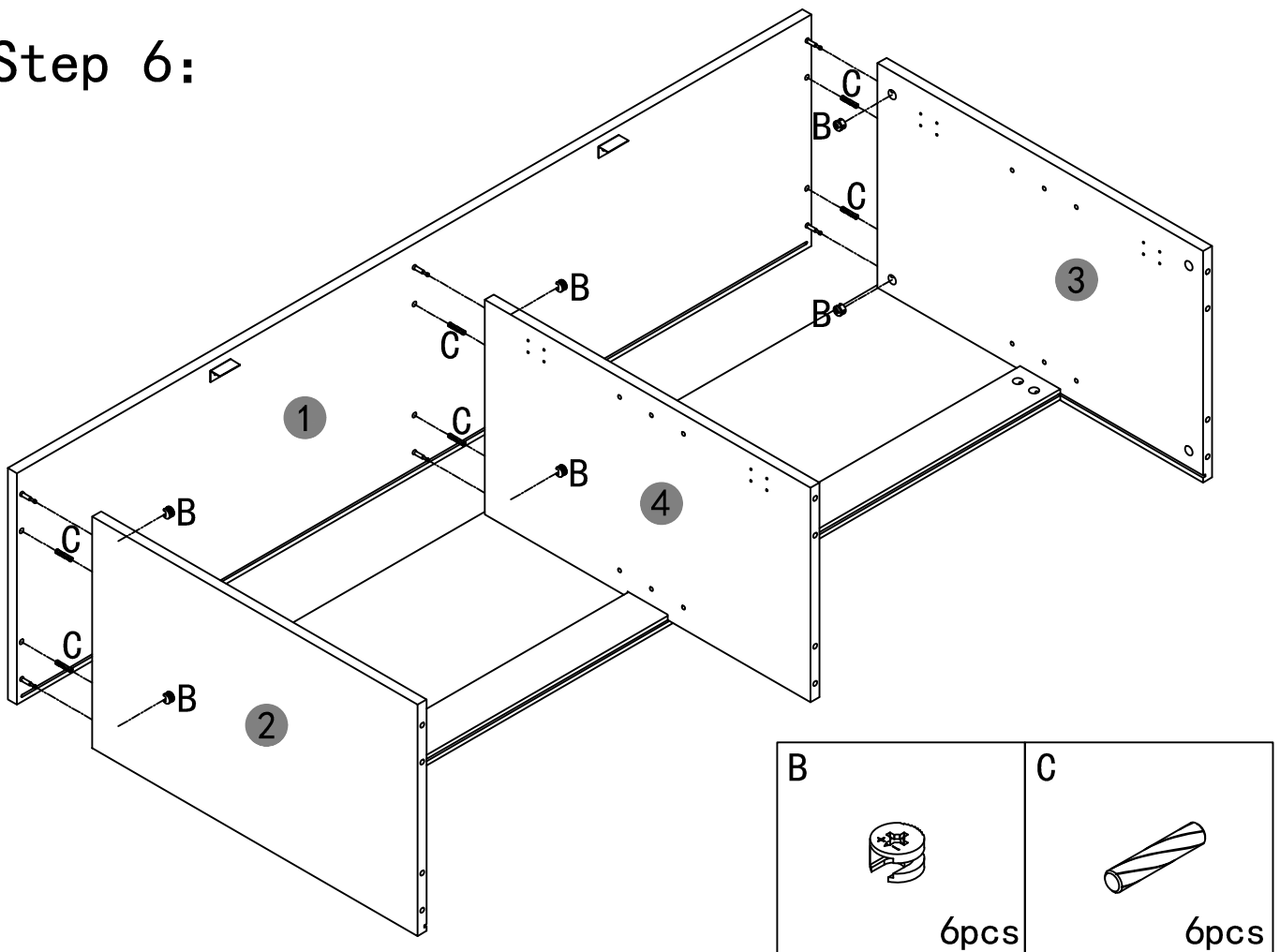
### Step 4:



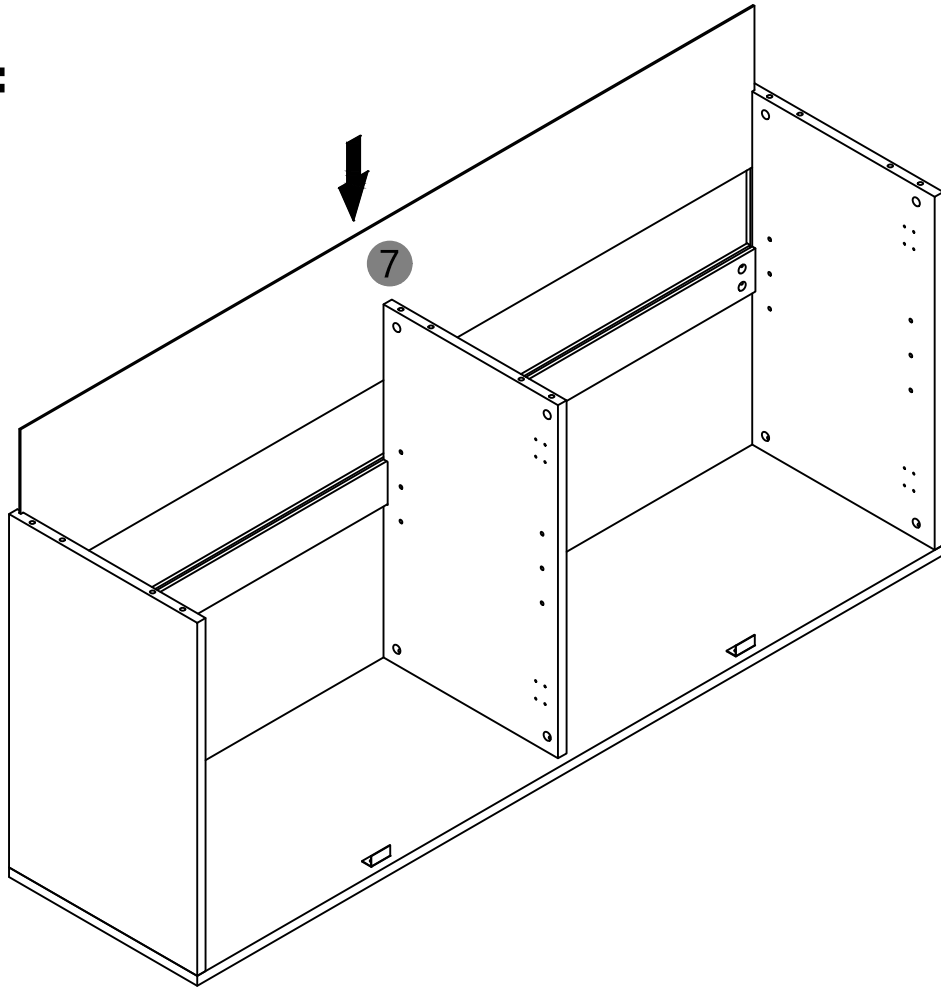
# Step 5:



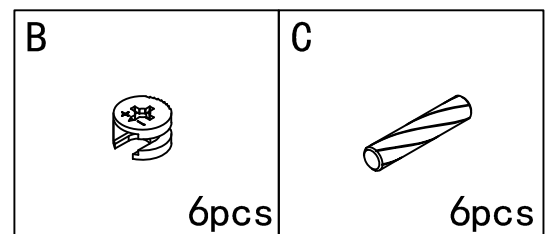
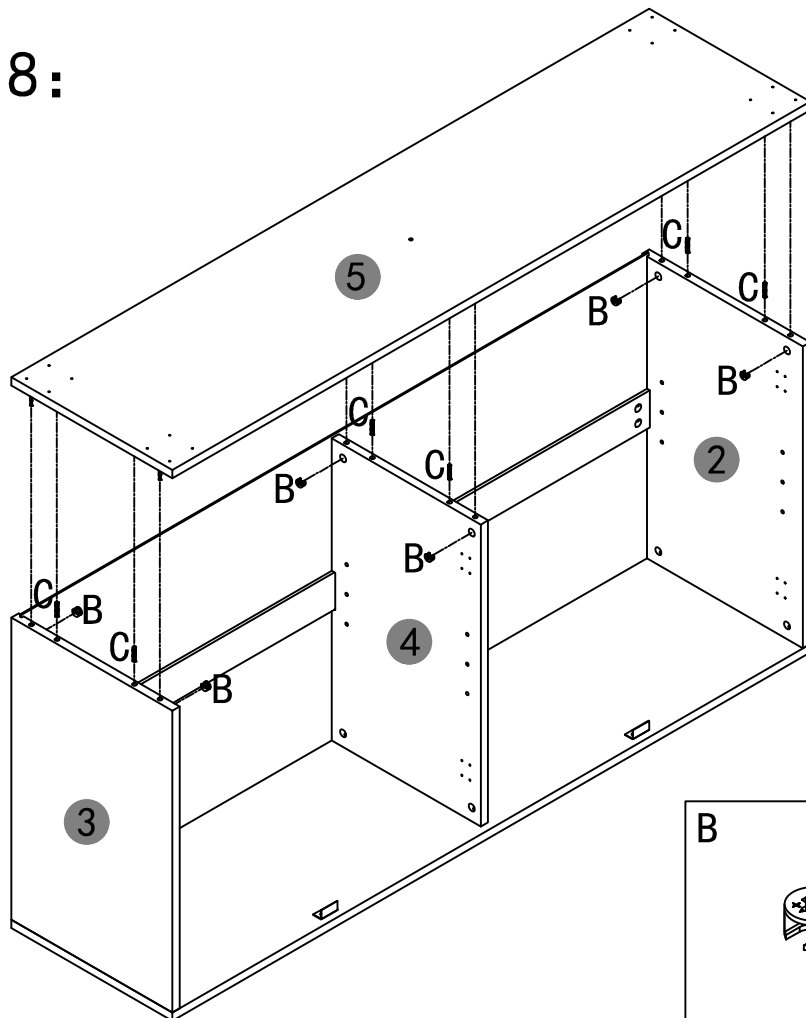
# Step 6:



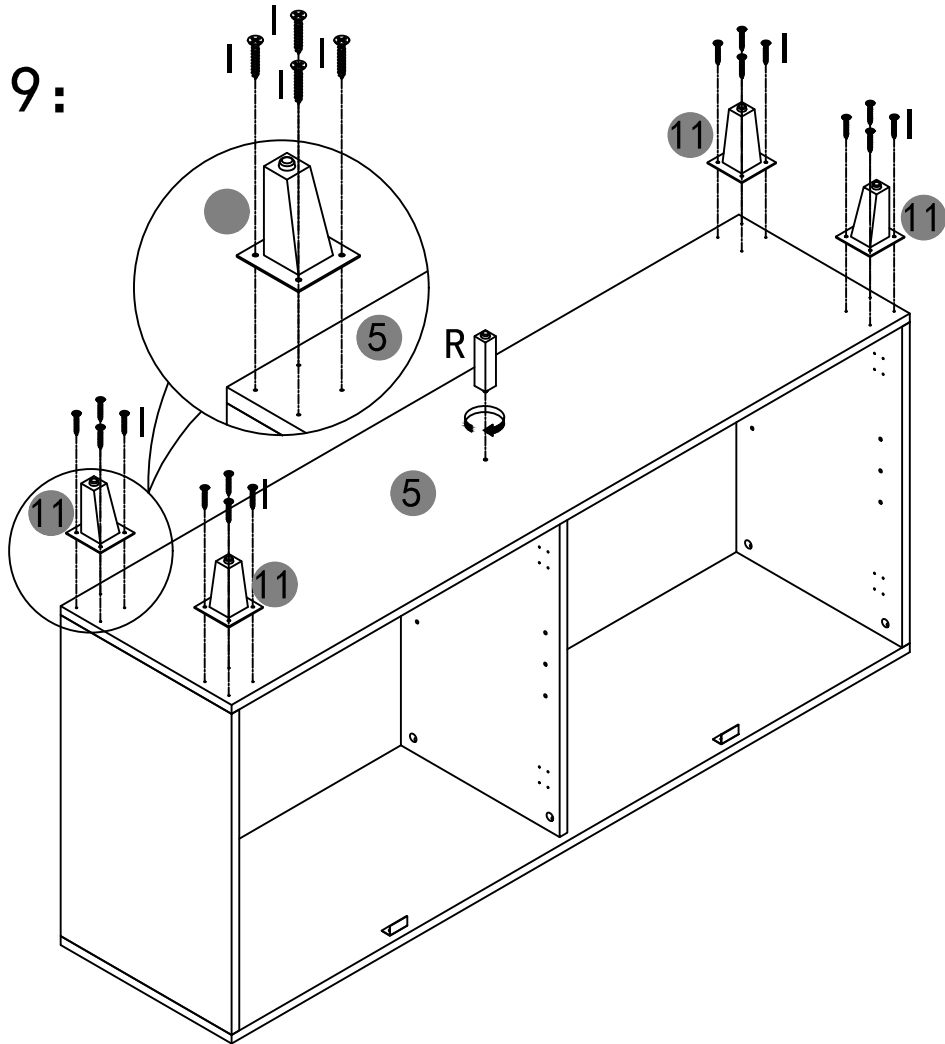
# Step 7:





# Step 8:

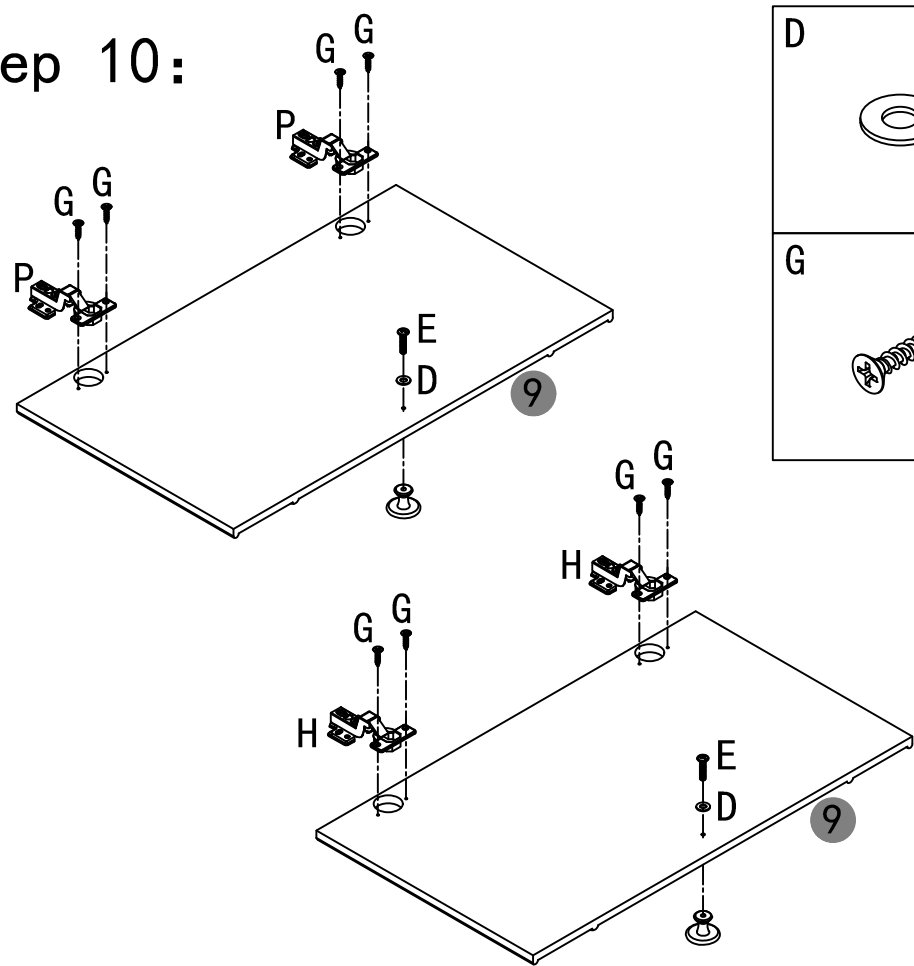





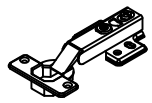


# Step 9:



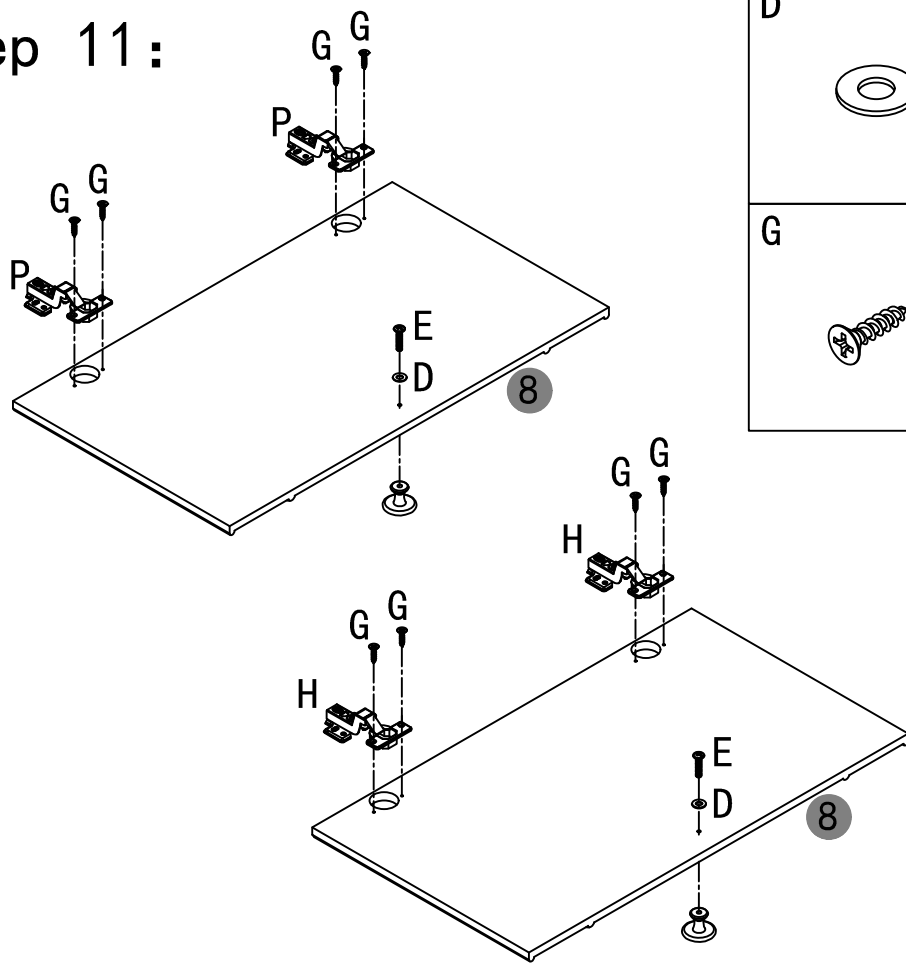
I		16pcs
R		1pc




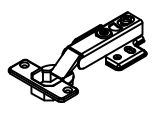


# Step 10:



D		2pcs	E		2pcs
G		8pcs	H		2pcs
			J		2pcs
			P		2pcs

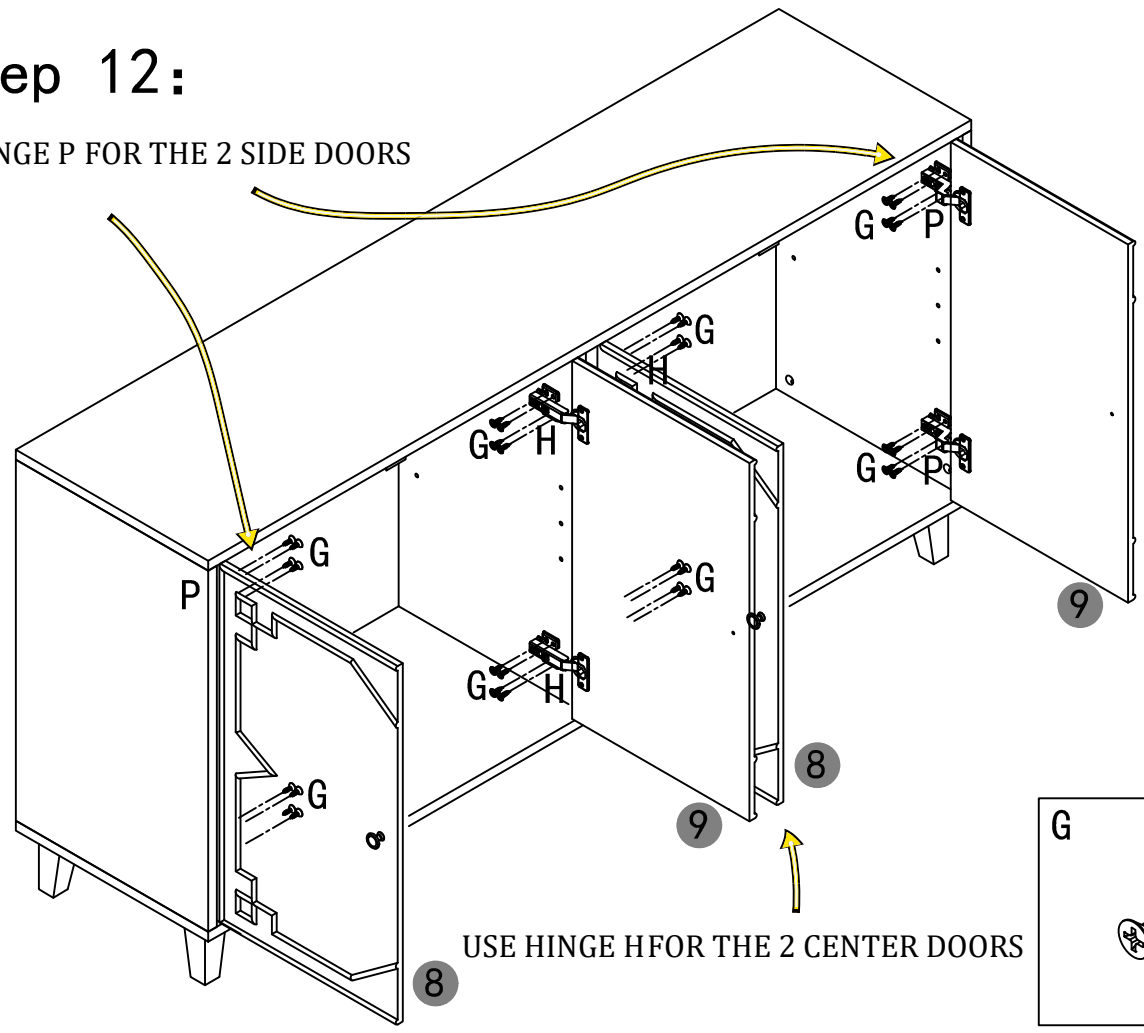
# Step 11:




D		E	
	2pcs		2pcs
G		H	
	8pcs		2pcs
J			
	2pcs		
P			
	2pcs		

# Step 12:

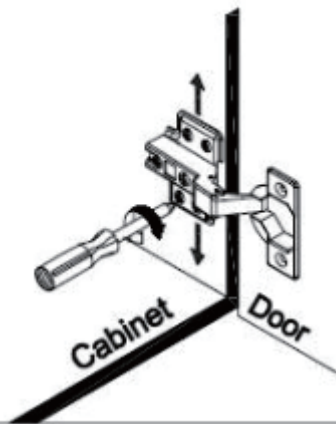
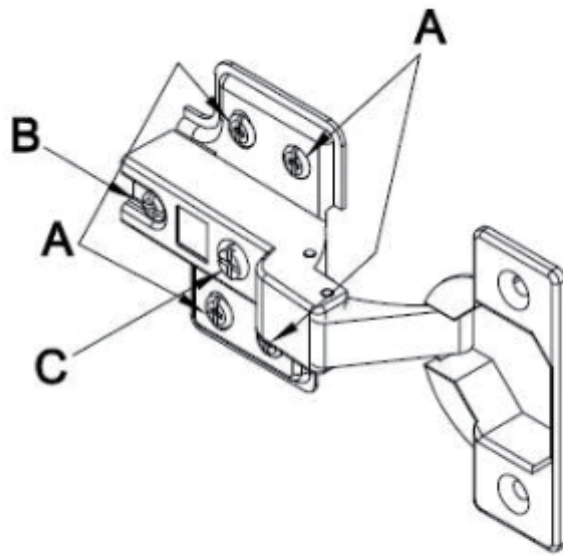
USE HINGE P FOR THE 2 SIDE DOORS



USE HINGE H FOR THE 2 CENTER DOORS

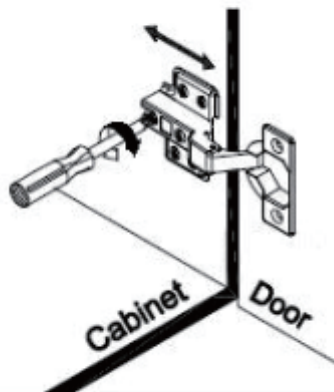
G	
	32pcs





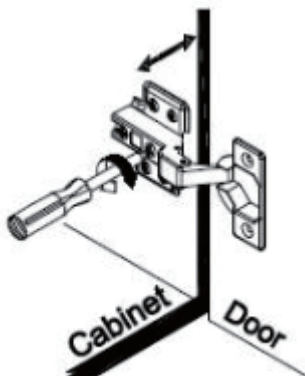
**To adjust the vertical height.**

Loosen the four screws "A" on both hinges. Two of them are usually in slotted holes which allows you to adjust up or down by a few mm. Then tighten back up.



**To adjust depth.**

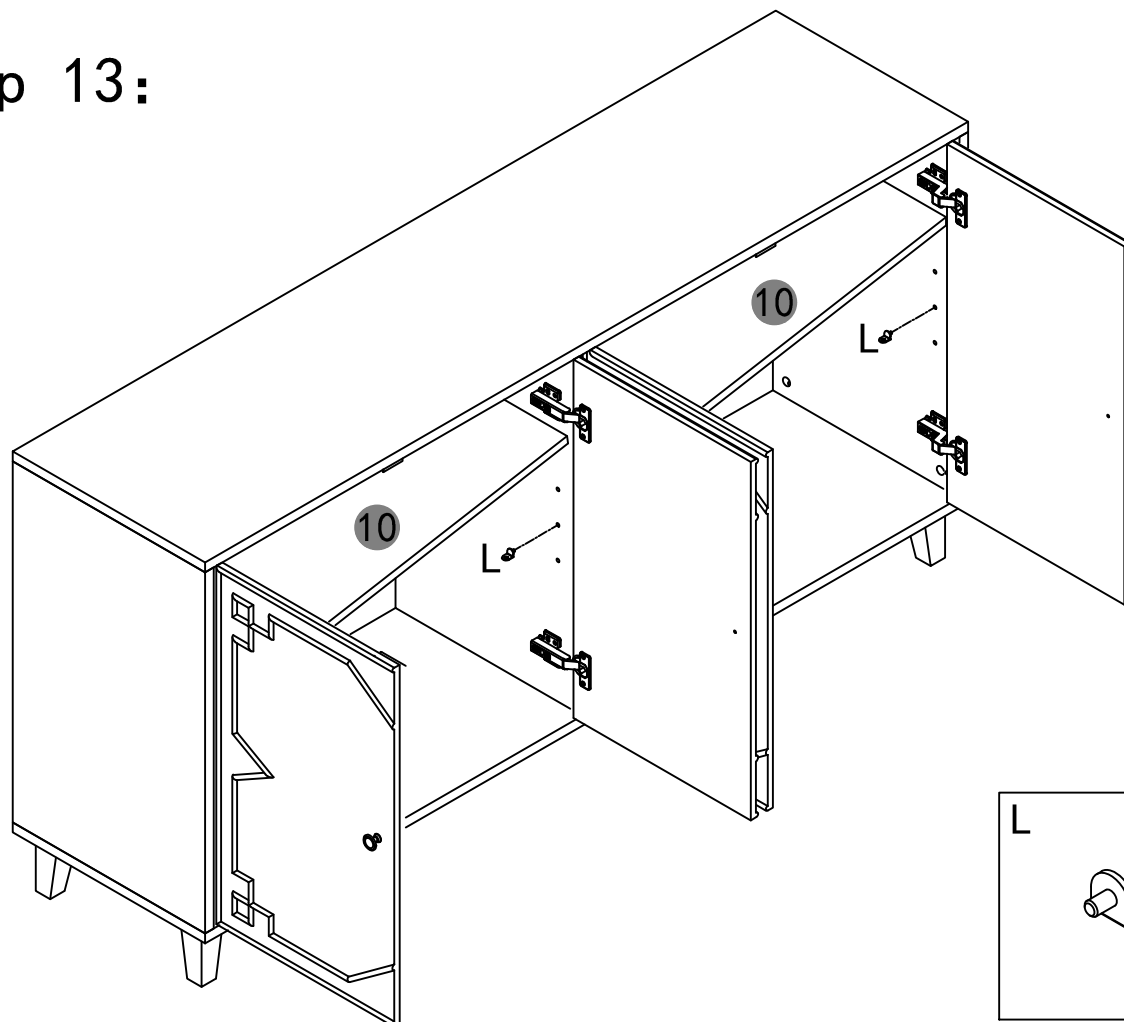
Loosen screw "B" and adjust door, if the door can not be adjusted, please loosen screw "C", then try again. Tighten screw "B" and "C".



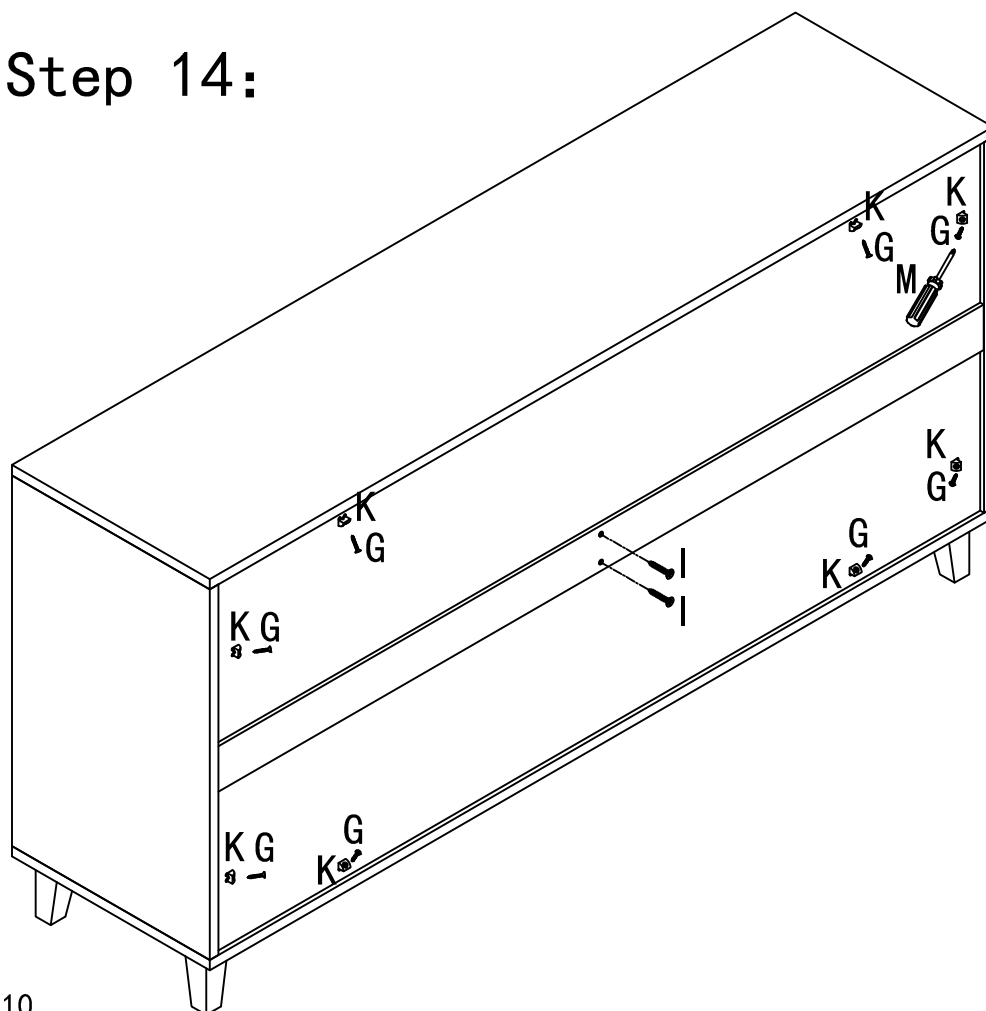
**To adjust side ways.**

Turning the screw "C" on BOTH hinges on each door.


# Step 13:




# Step 14:




- G**



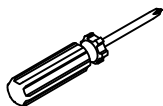
8pcs
- I**



2pcs
- K**

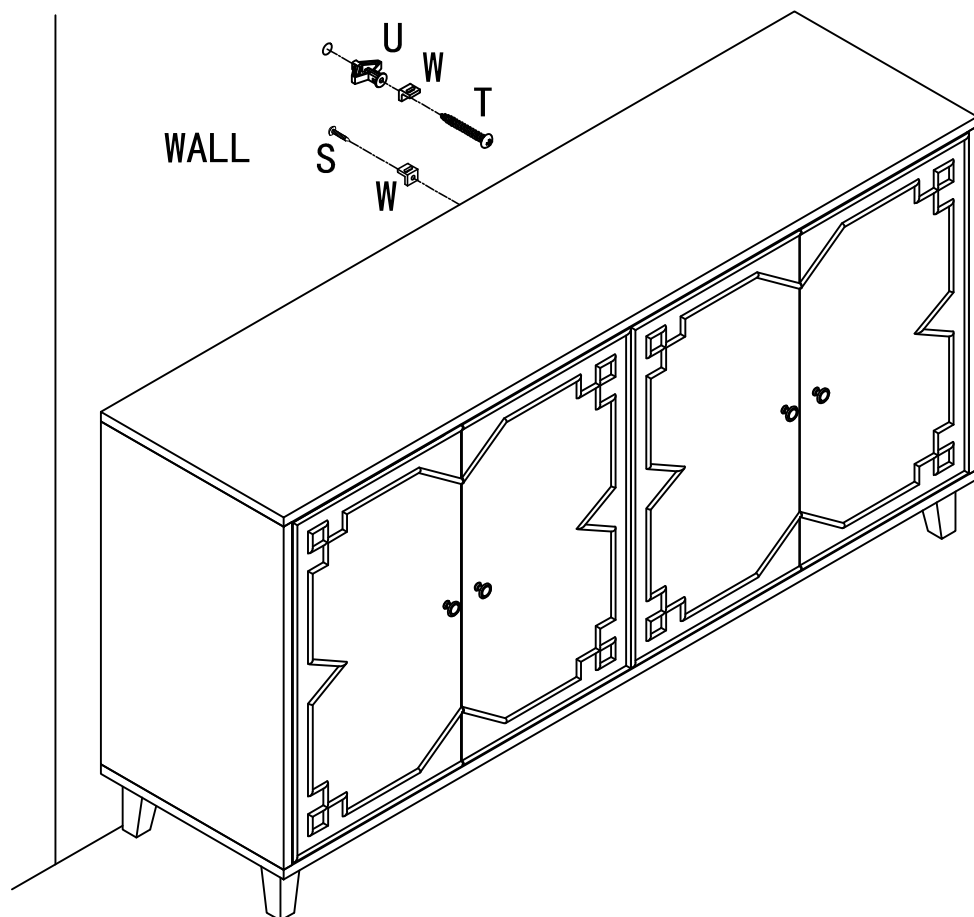



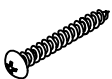


8pcs
- M**



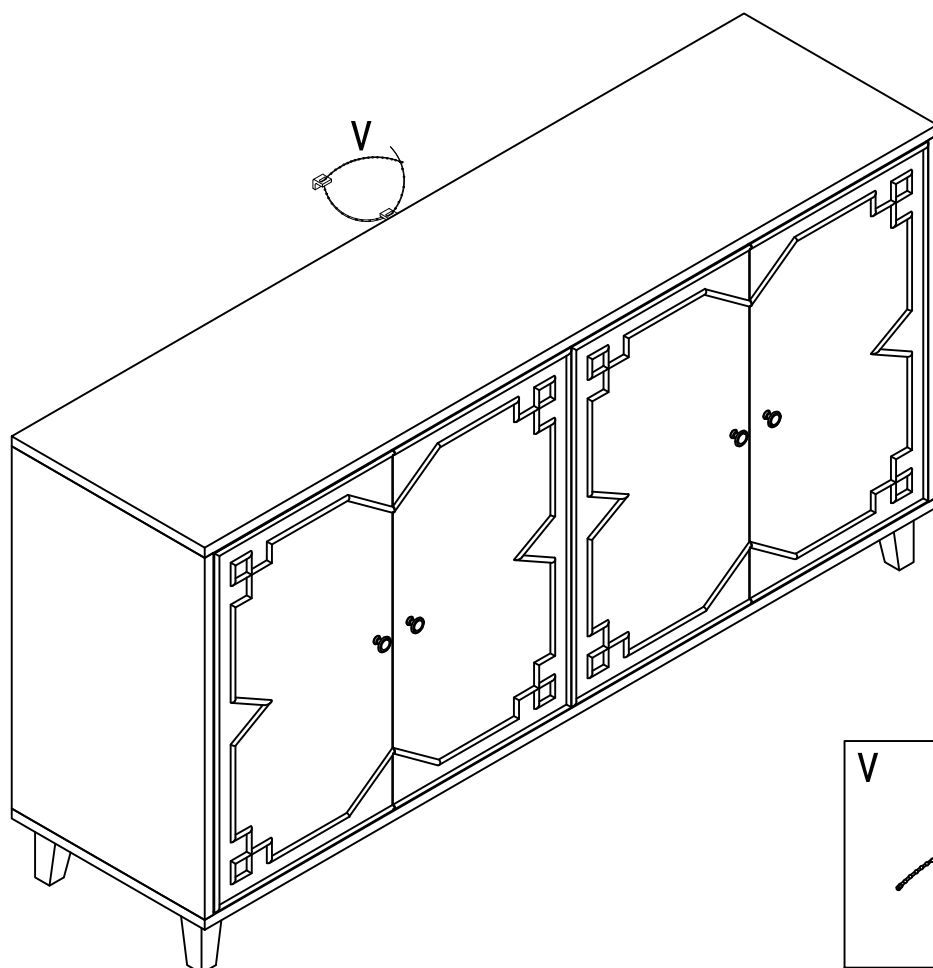
1pc


# Step 15:



S		1pc
T		1pc
U		1pc
W		2pcs

# Step 16:



V		1pc
---	---	-----