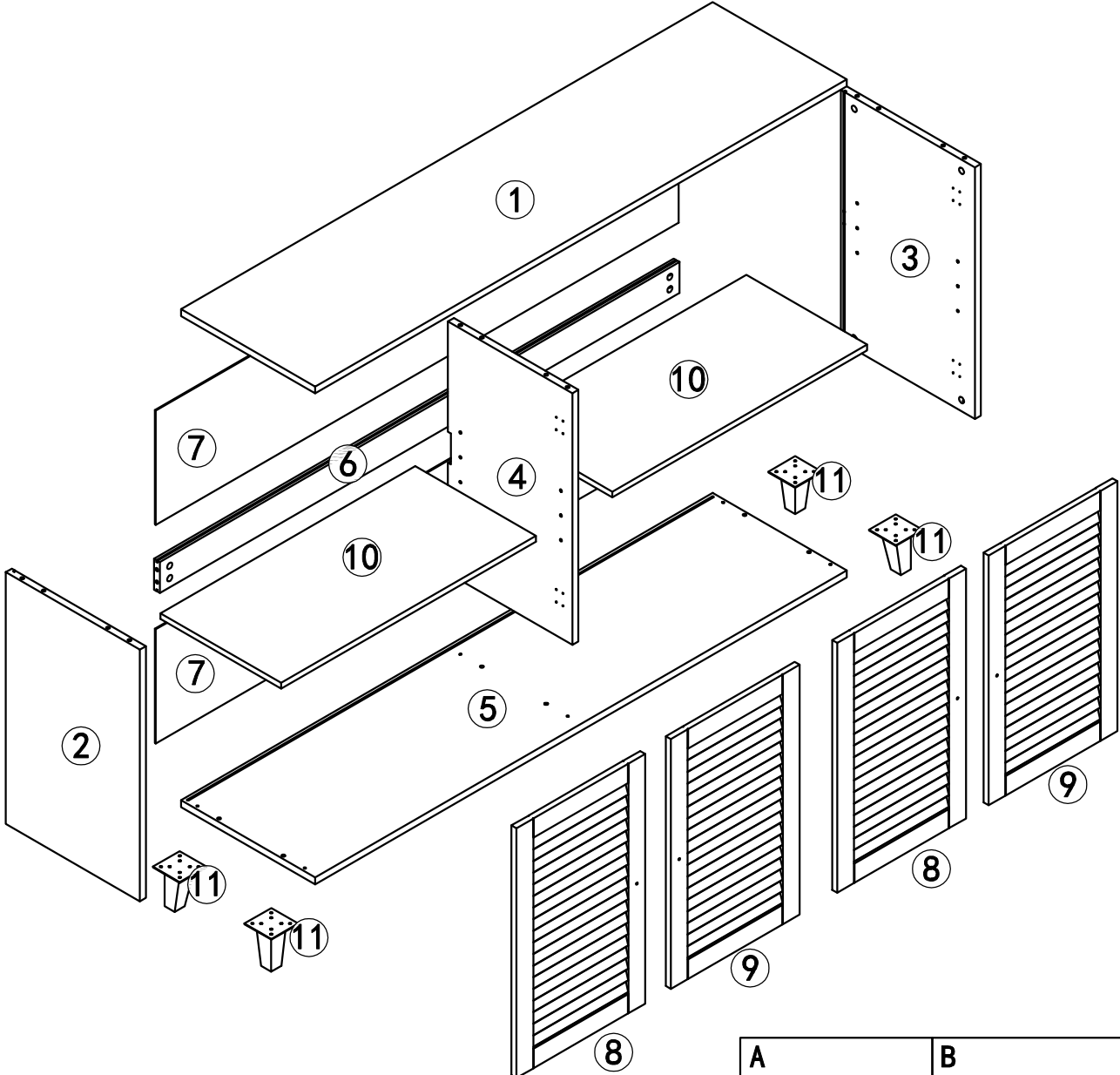












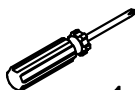



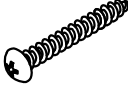
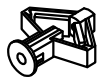


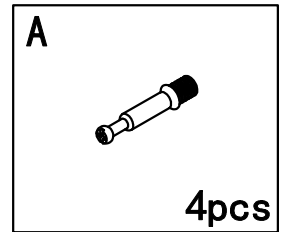
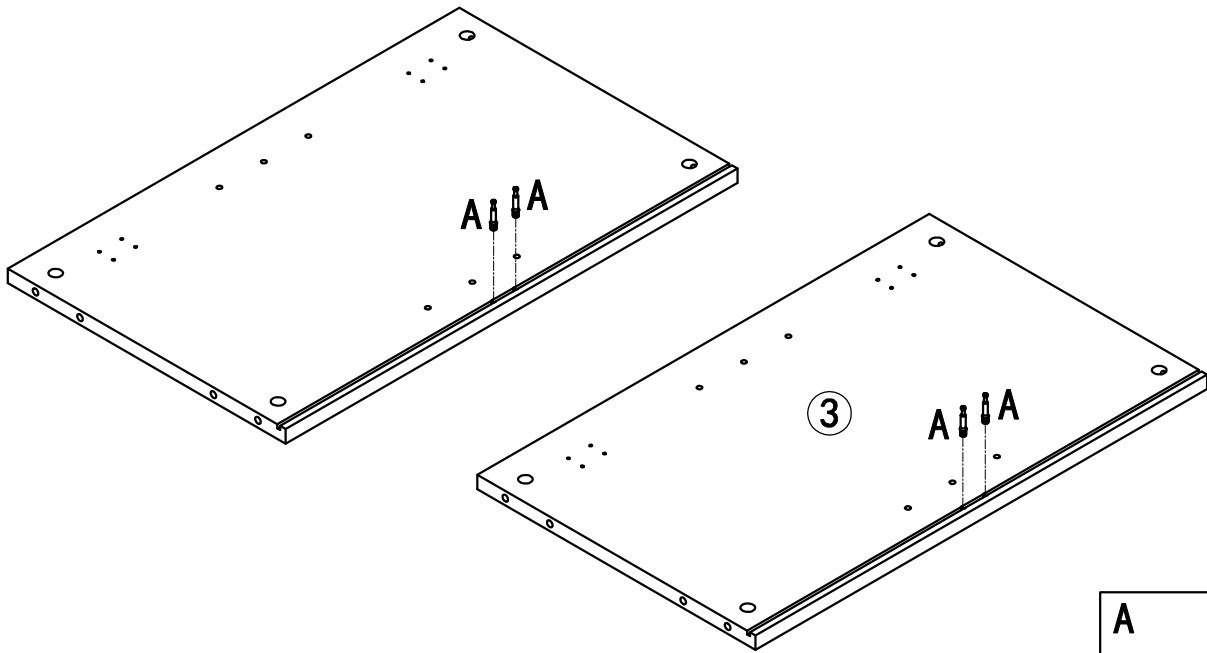


# Parts List

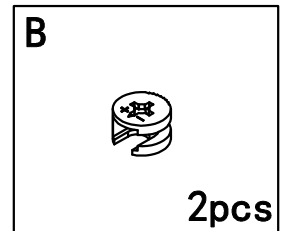
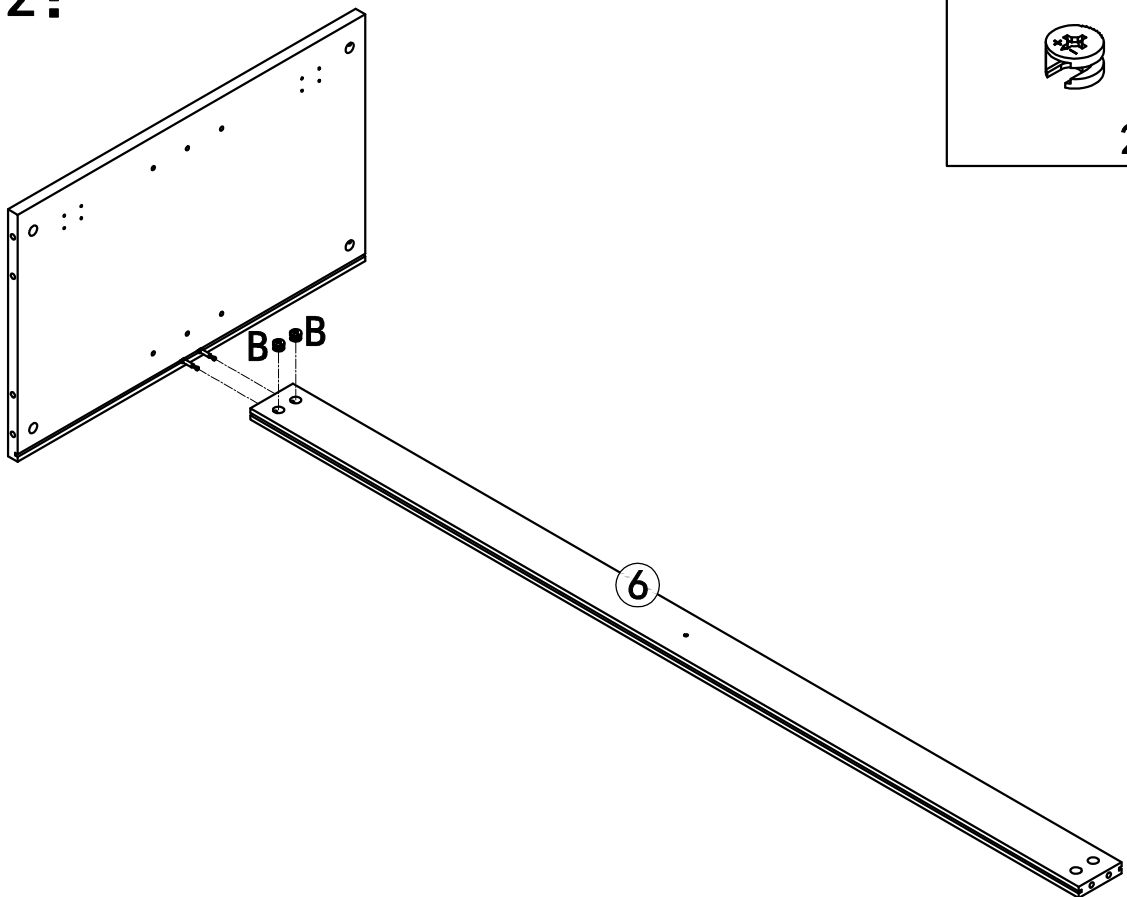


				<b>A</b>  16pcs		<b>B</b>  16pcs	
<b>C</b>  12pcs	<b>D</b>  4pcs	<b>E</b>  4pcs	<b>F</b>  2pcs	<b>G</b>  60pcs	<b>H</b>  4pcs		
<b>I</b>  20pcs	<b>J</b>  4pcs	<b>K</b>  8pcs	<b>L</b>  8pcs	<b>M</b>  1pc	<b>P</b>  4pcs		
<b>R</b>  1pc	<b>S</b>  1pc	<b>T</b>  1pc	<b>U</b>  1pc	<b>V</b>  1pc	<b>W</b>  2pcs		

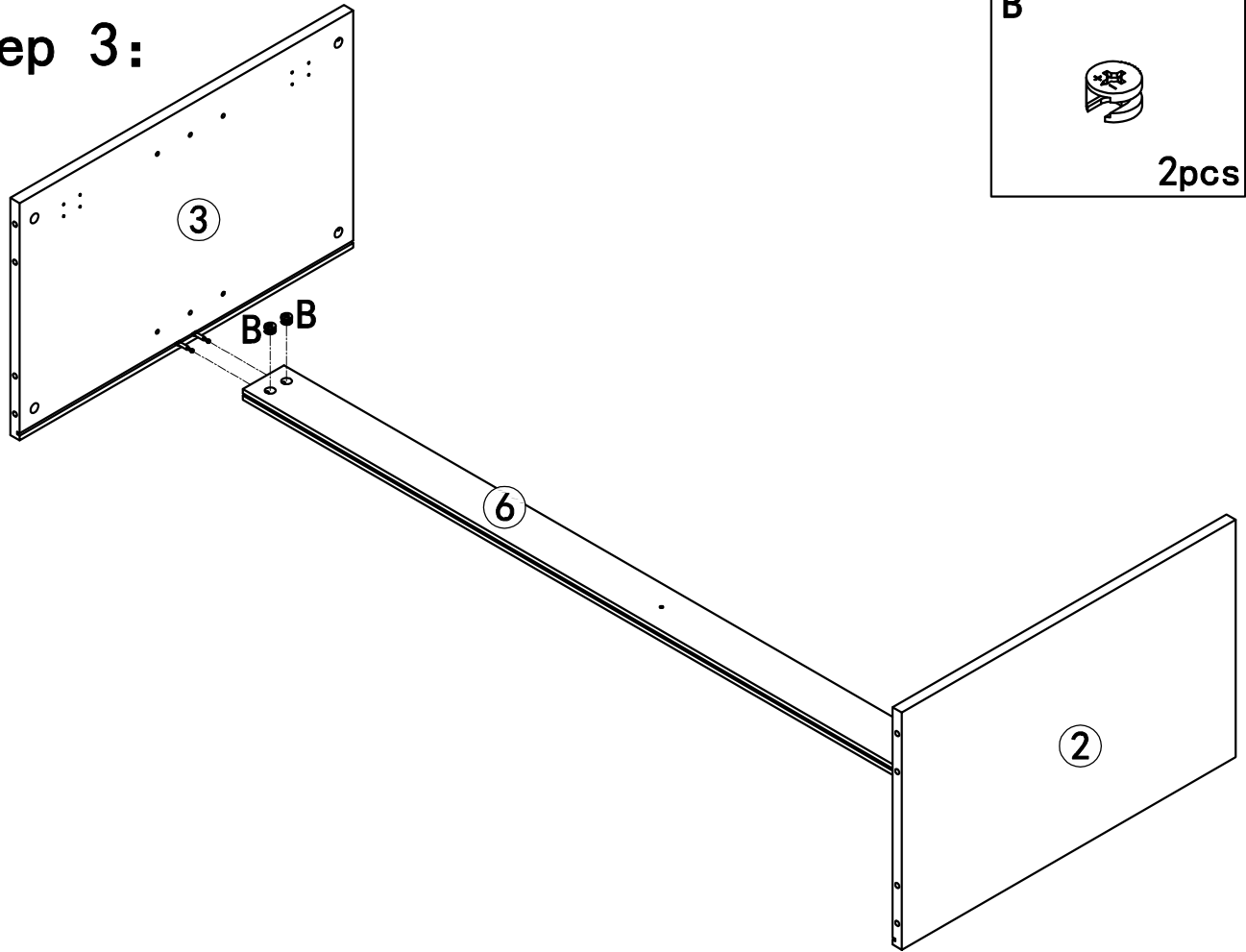
# Step 1:



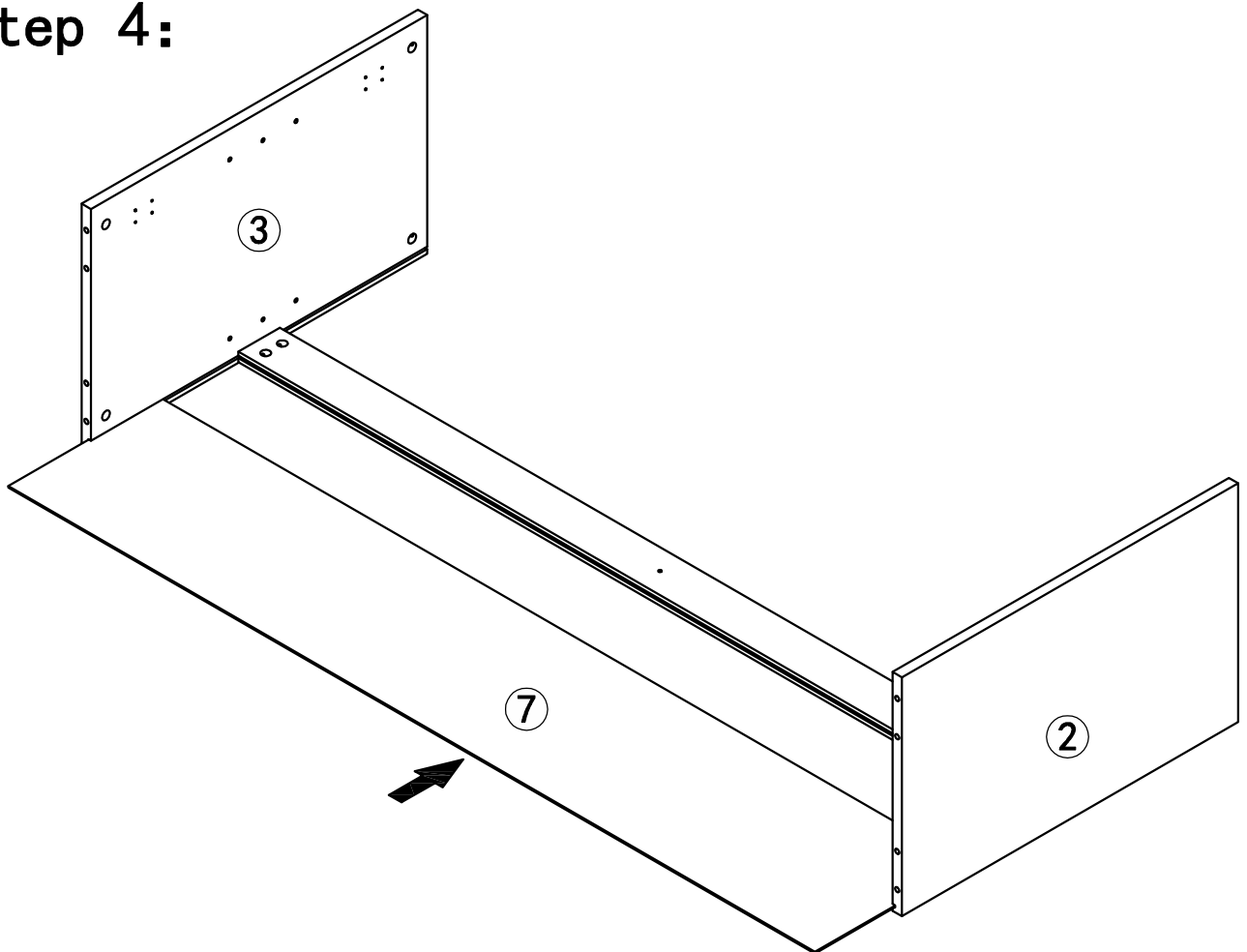
# Step 2:



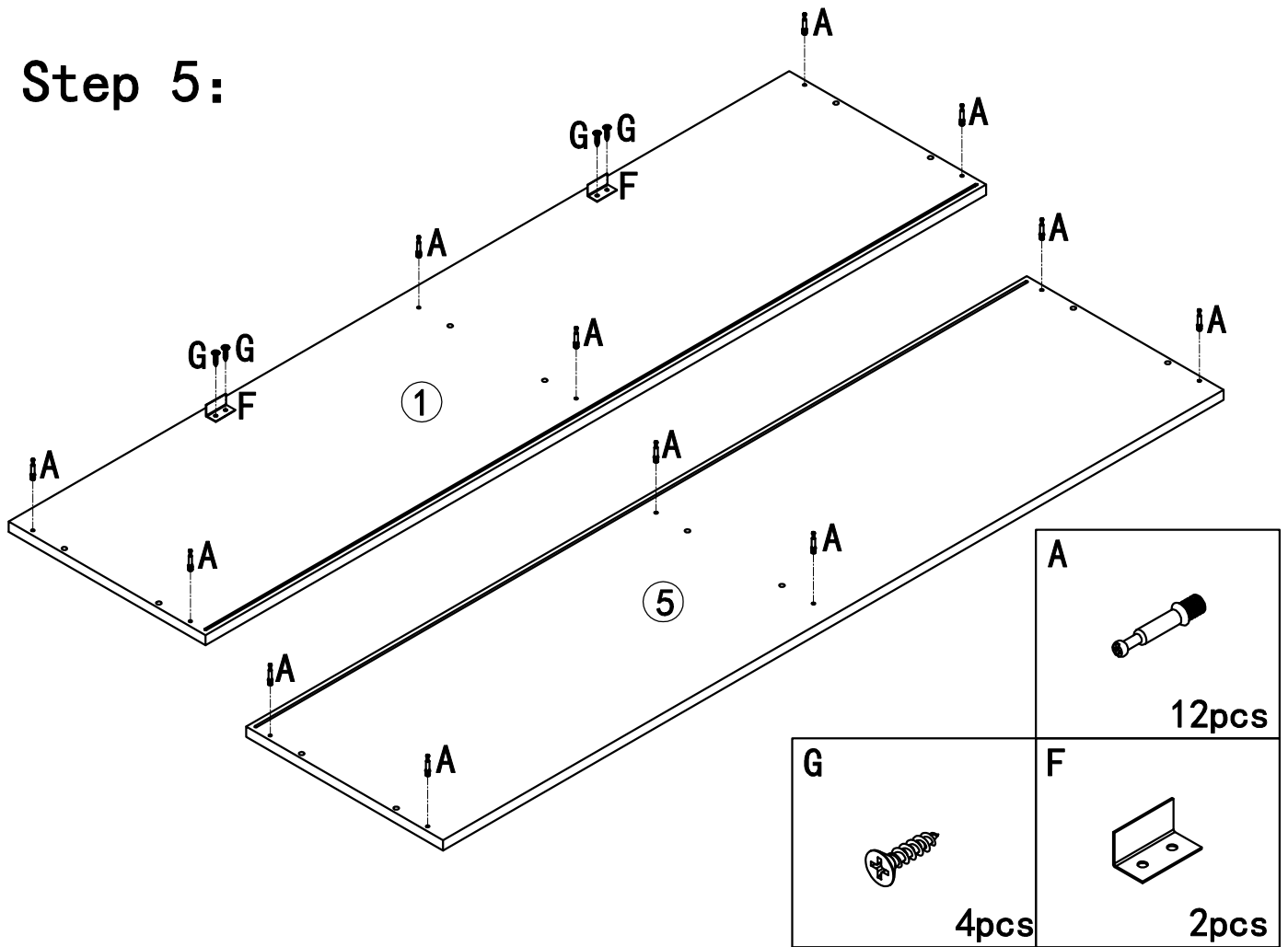
### Step 3:



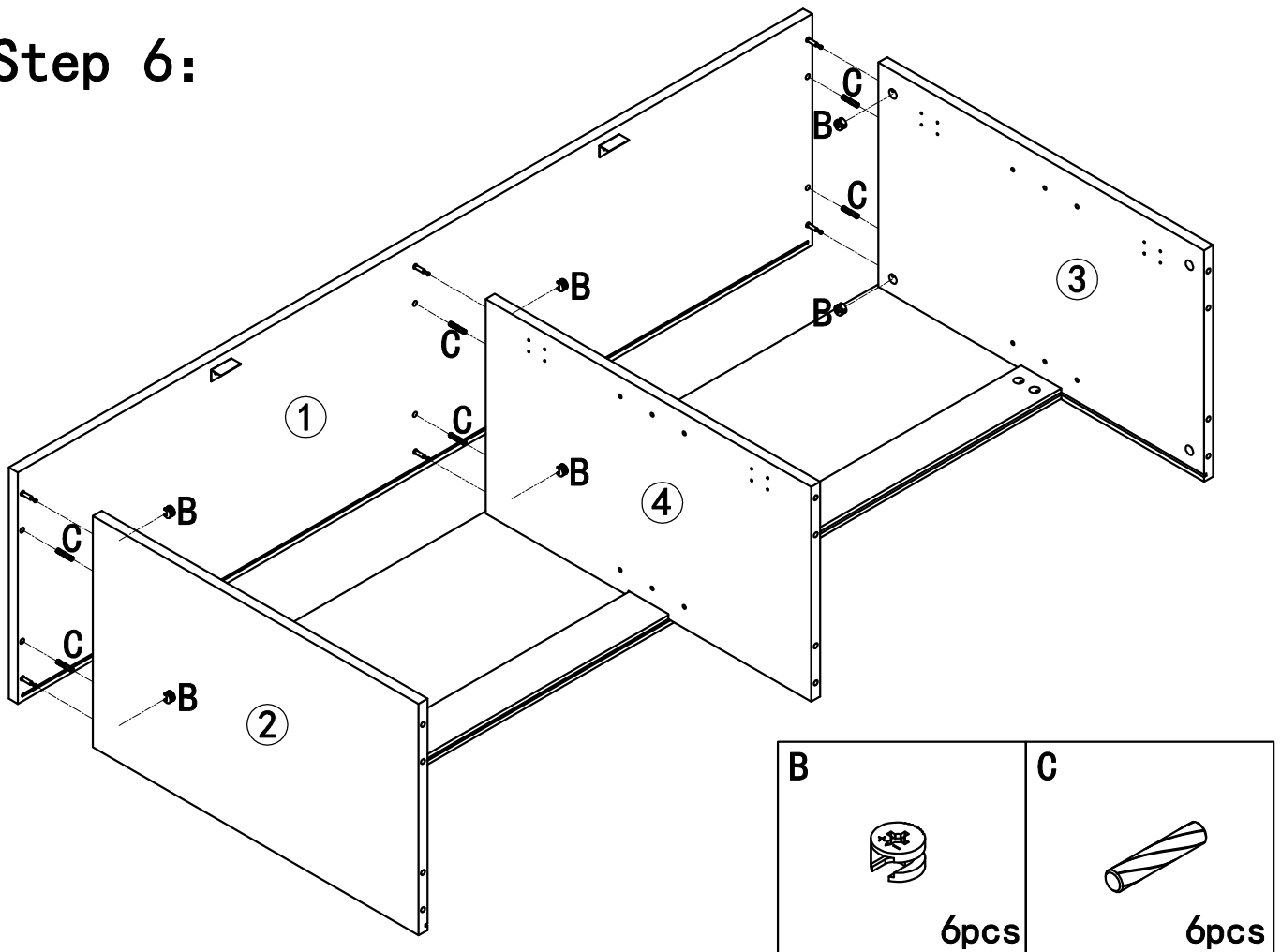
### Step 4:



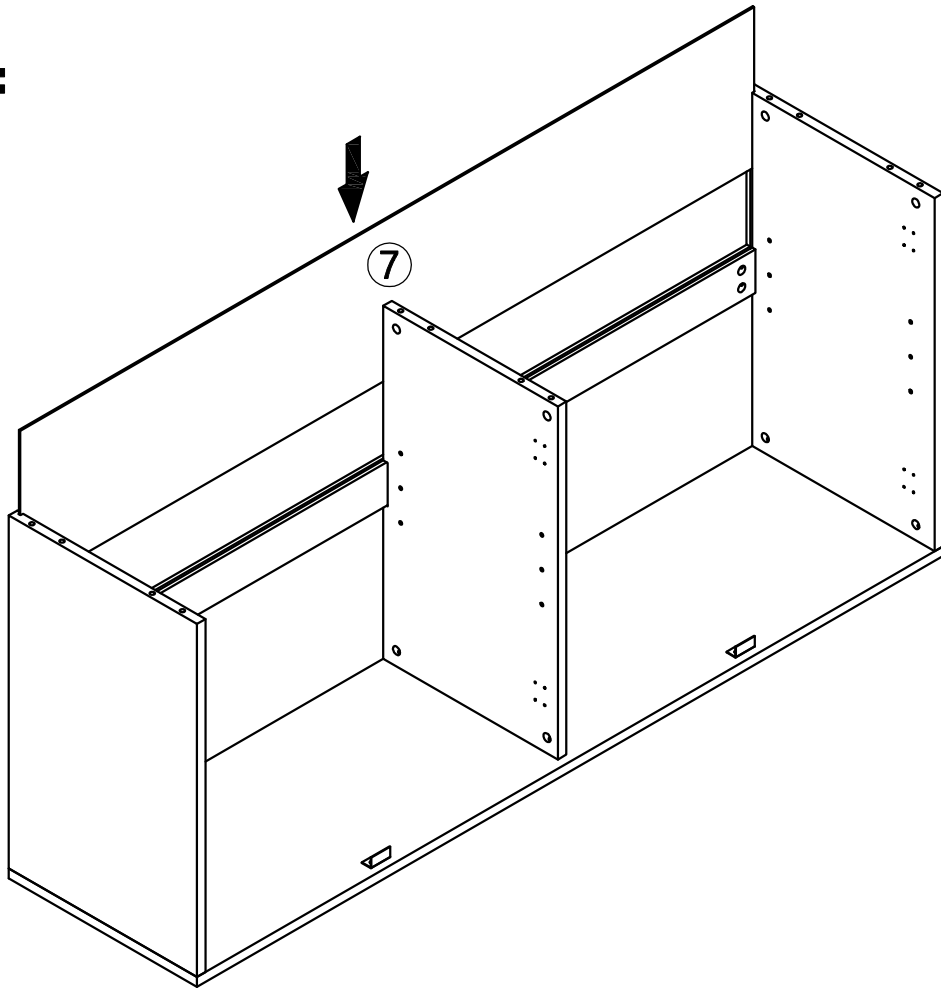
# Step 5:



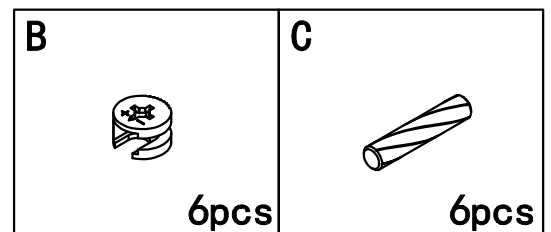
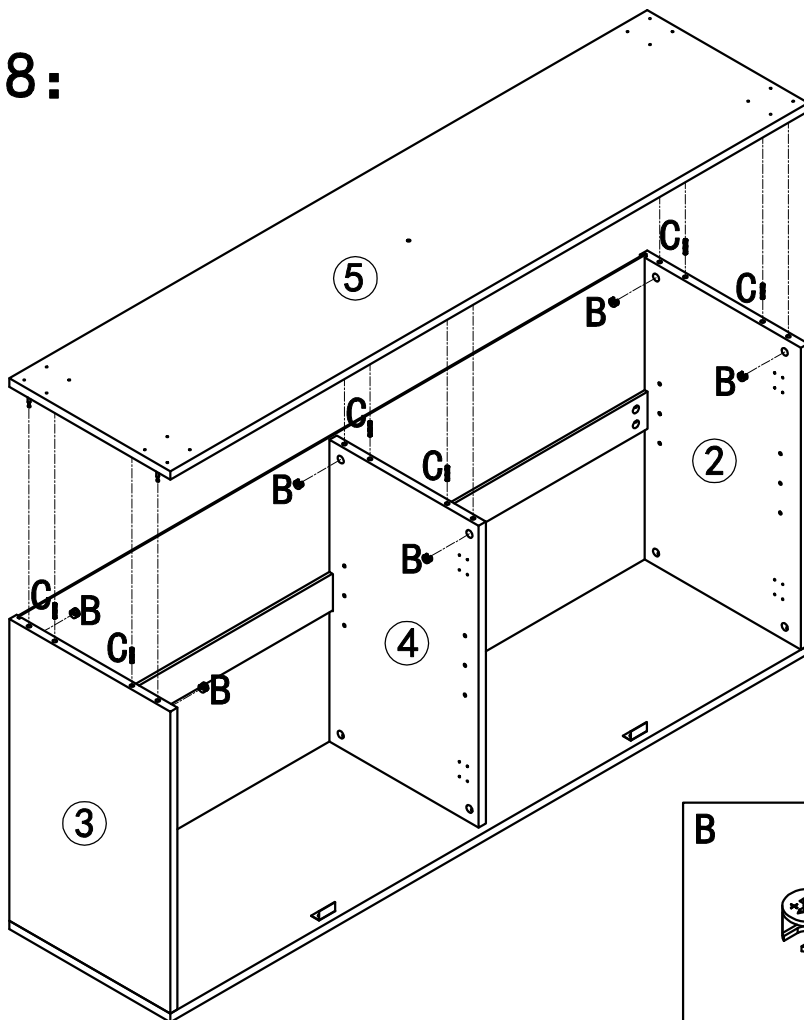
# Step 6:



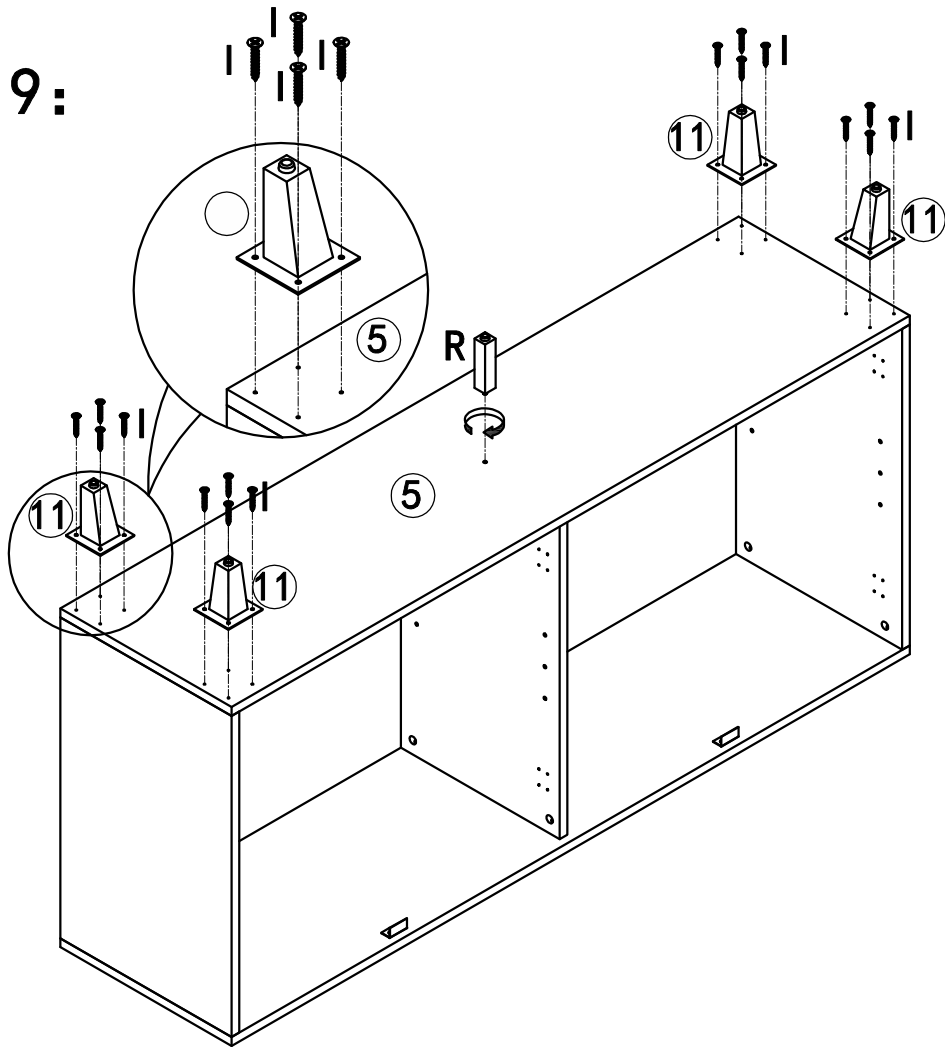
# Step 7:



# Step 8:

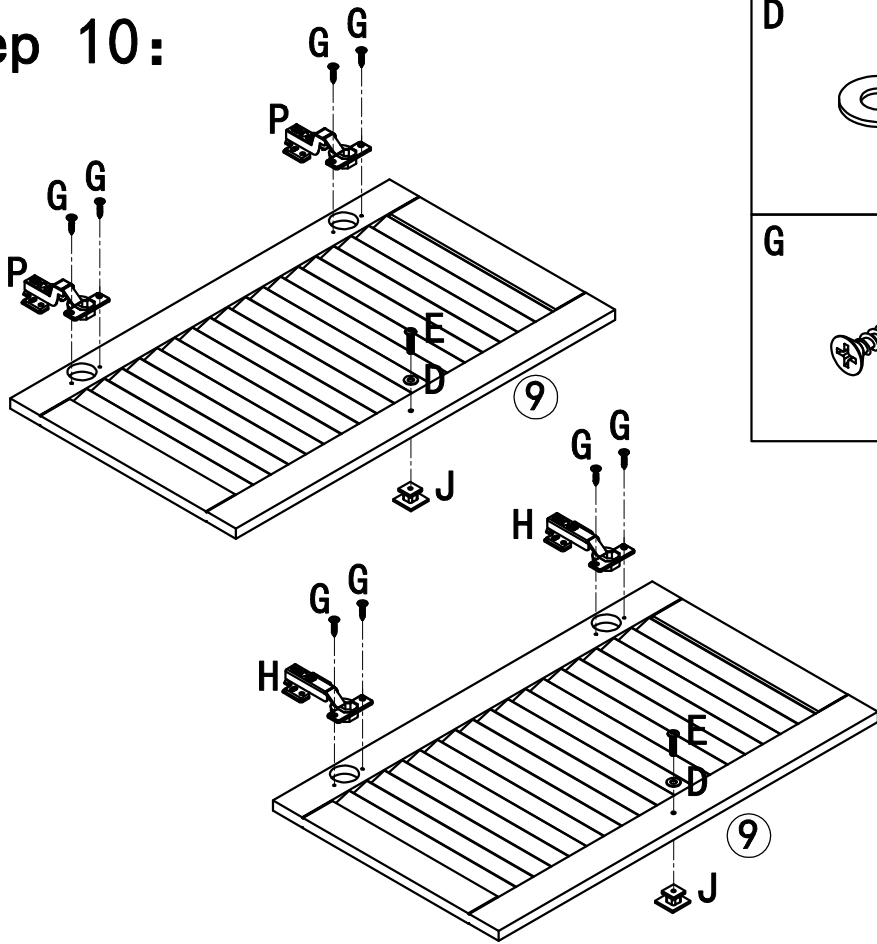


# Step 9:



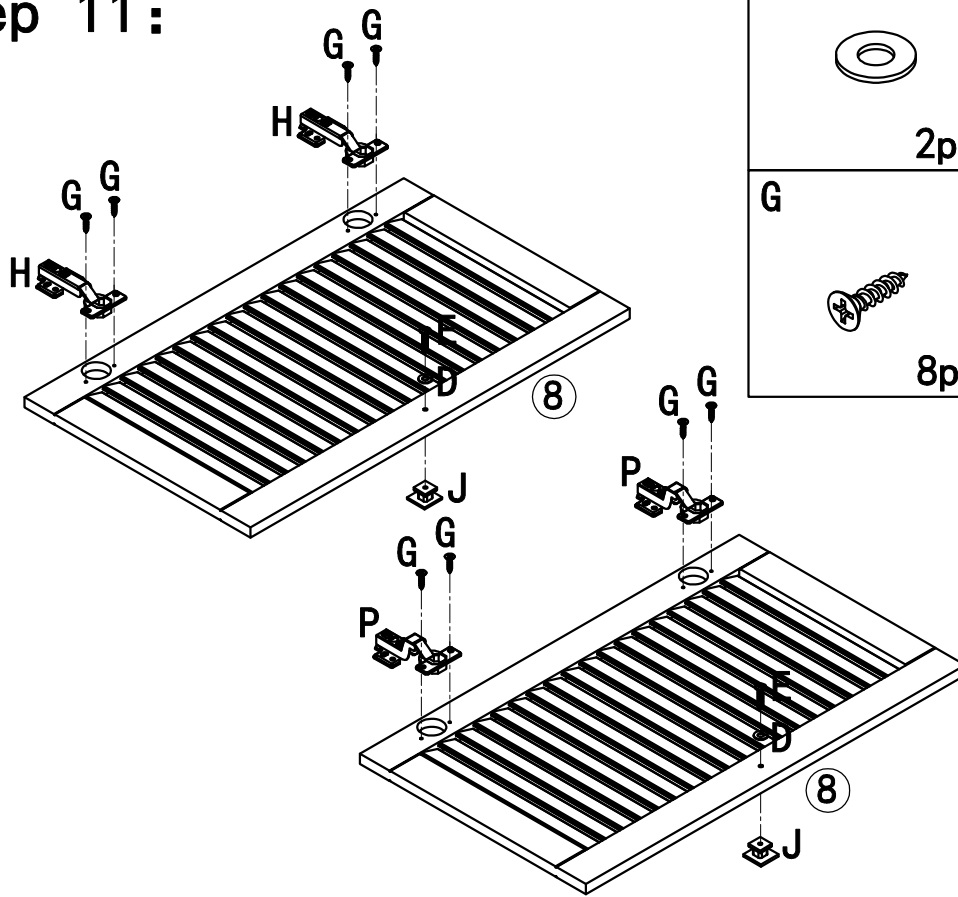
I		16pcs
R		1pc

# Step 10:



D		2pcs
E		2pcs
G		8pcs
H		2pcs
J		2pcs
P		2pcs

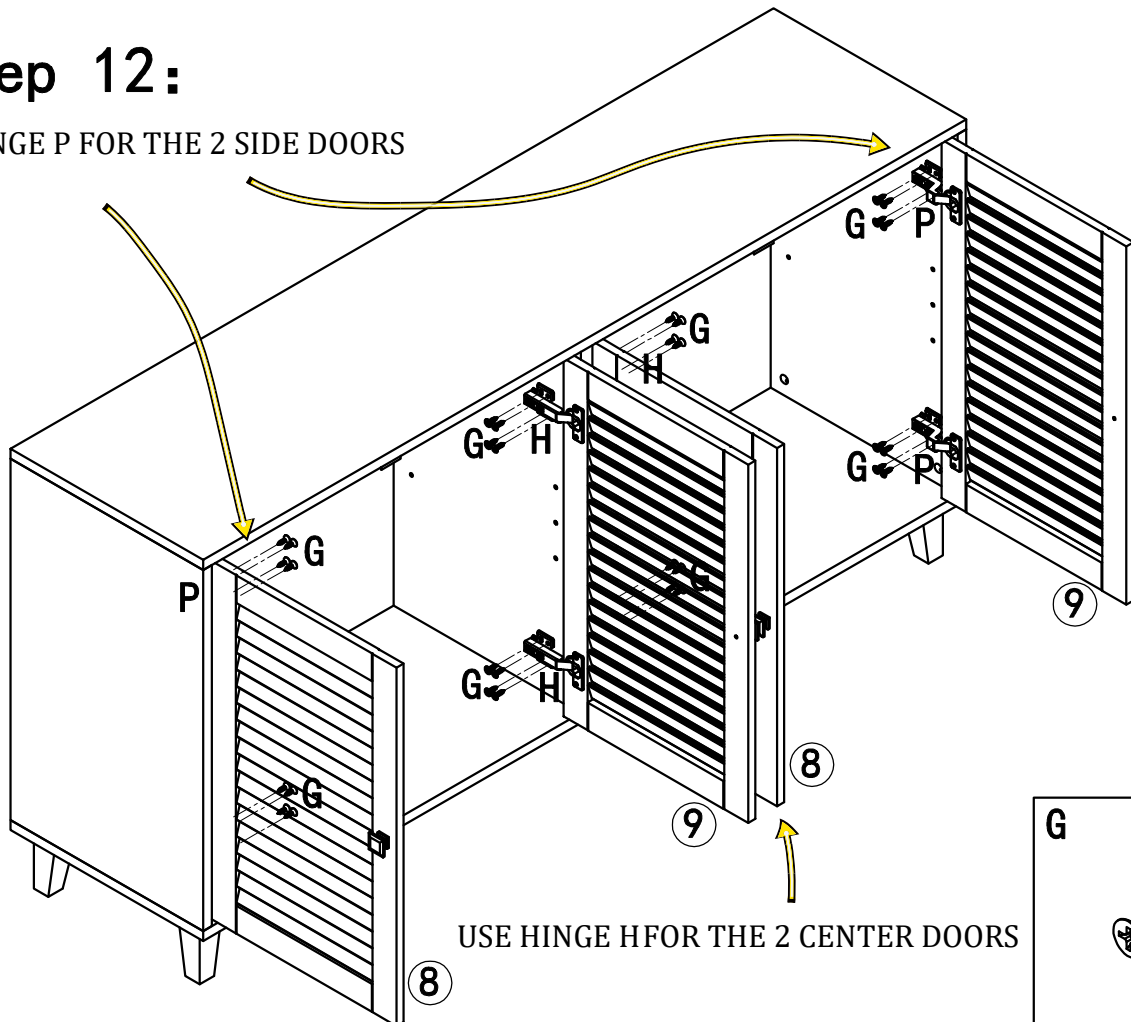
# Step 11:



D		E	
	2pcs		2pcs
G		H	
	8pcs		2pcs
J			2pcs
P			2pcs

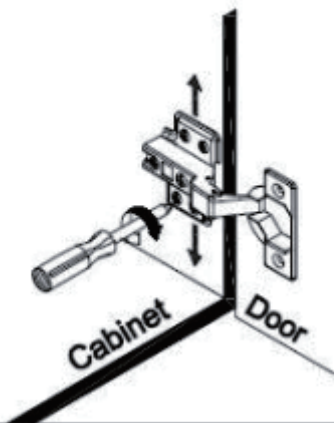
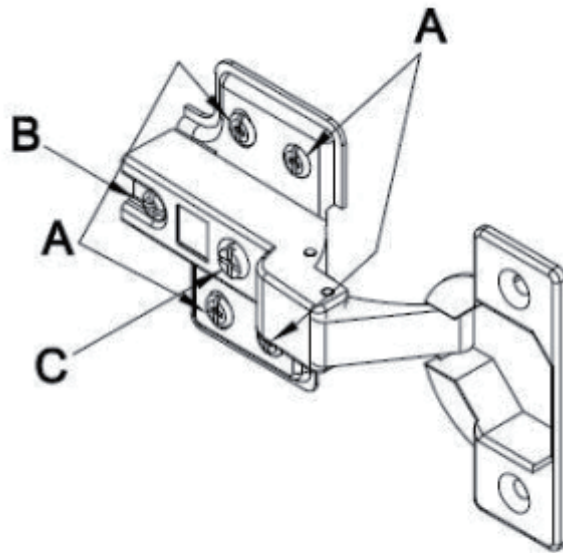
# Step 12:

USE HINGE P FOR THE 2 SIDE DOORS



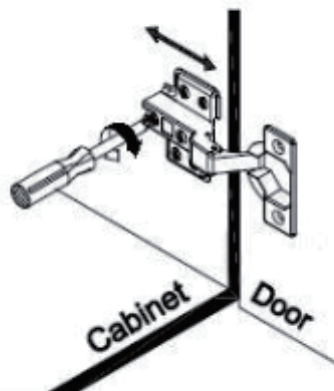
G	
	32pcs





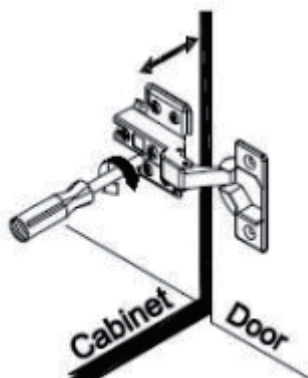
**To adjust the vertical height.**

Loosen the four screws "A" on both hinges. Two of them are usually in slotted holes which allows you to adjust up or down by a few mm. Then tighten back up.



**To adjust depth.**

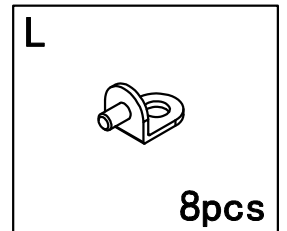
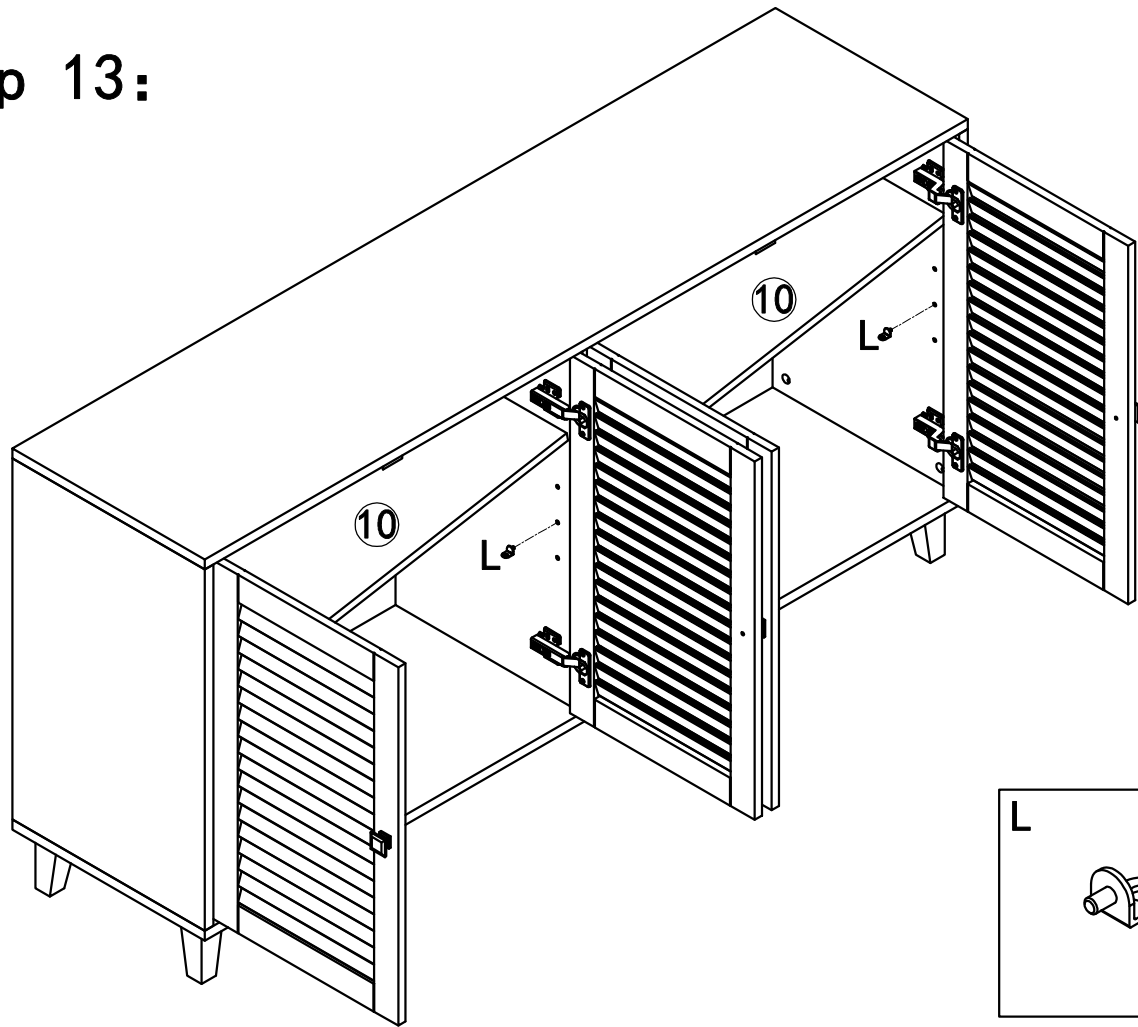
Loosen screw "B" and adjust door, if the door can not be adjusted, please loosen screw "C", then try again. Tighten screw "B" and "C".



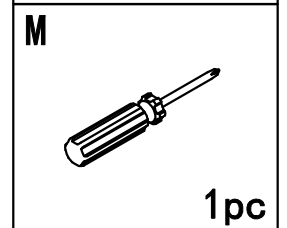
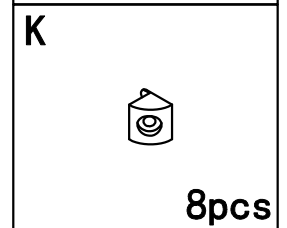
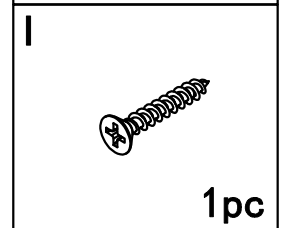
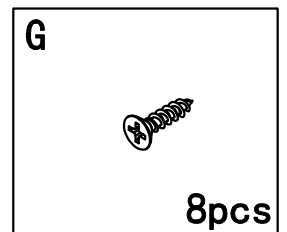
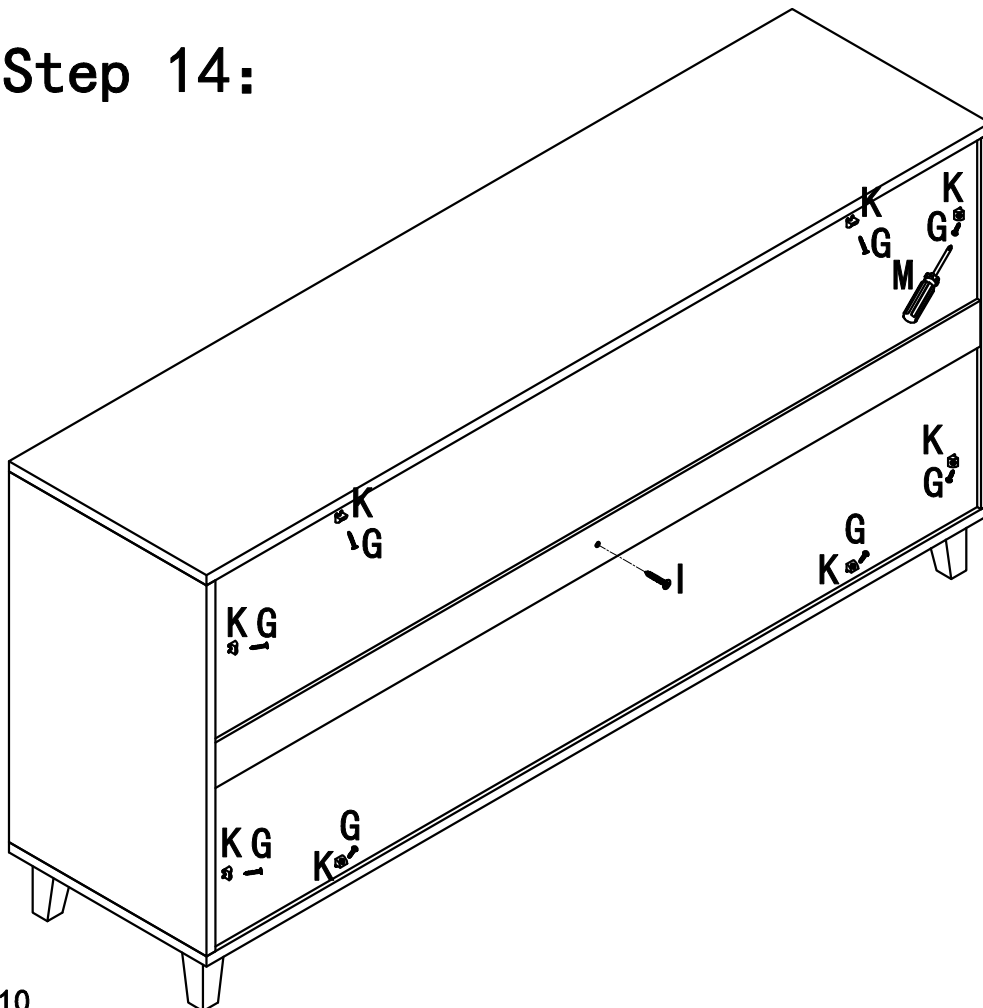
**To adjust side ways.**

Turning the screw "C" on BOTH hinges on each door.

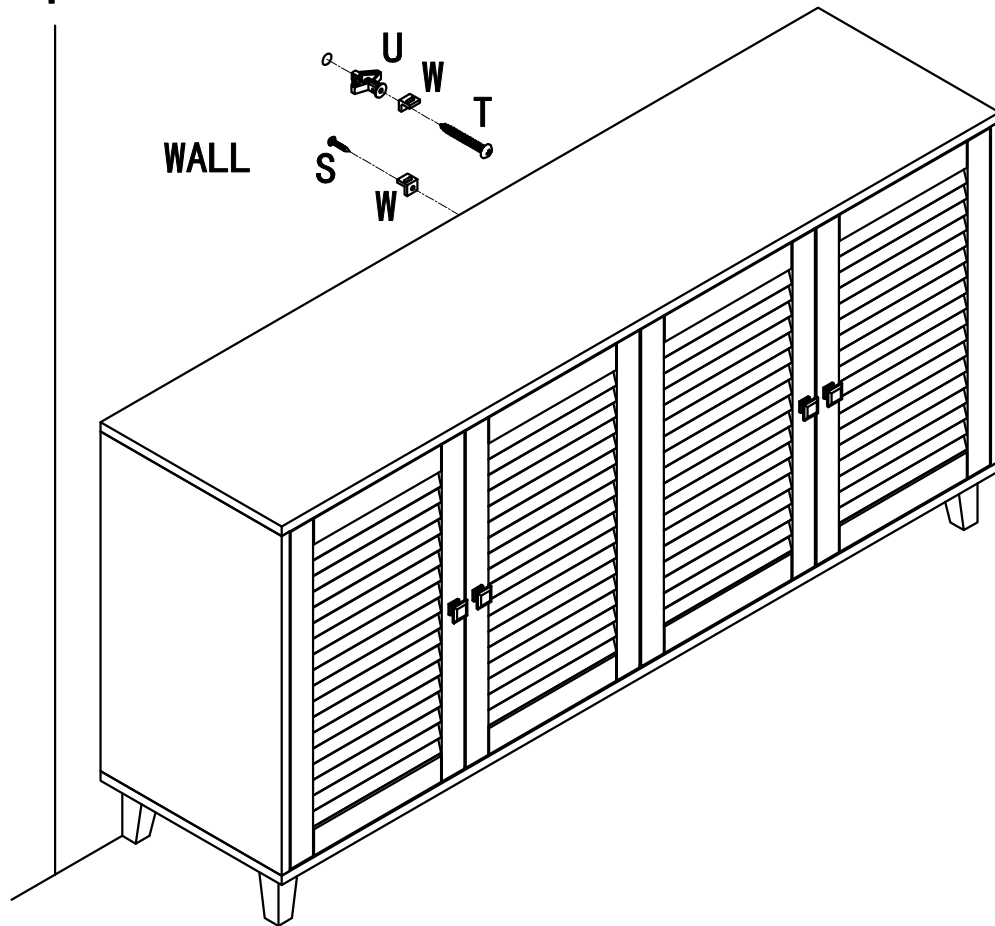
# Step 13:







# Step 14:

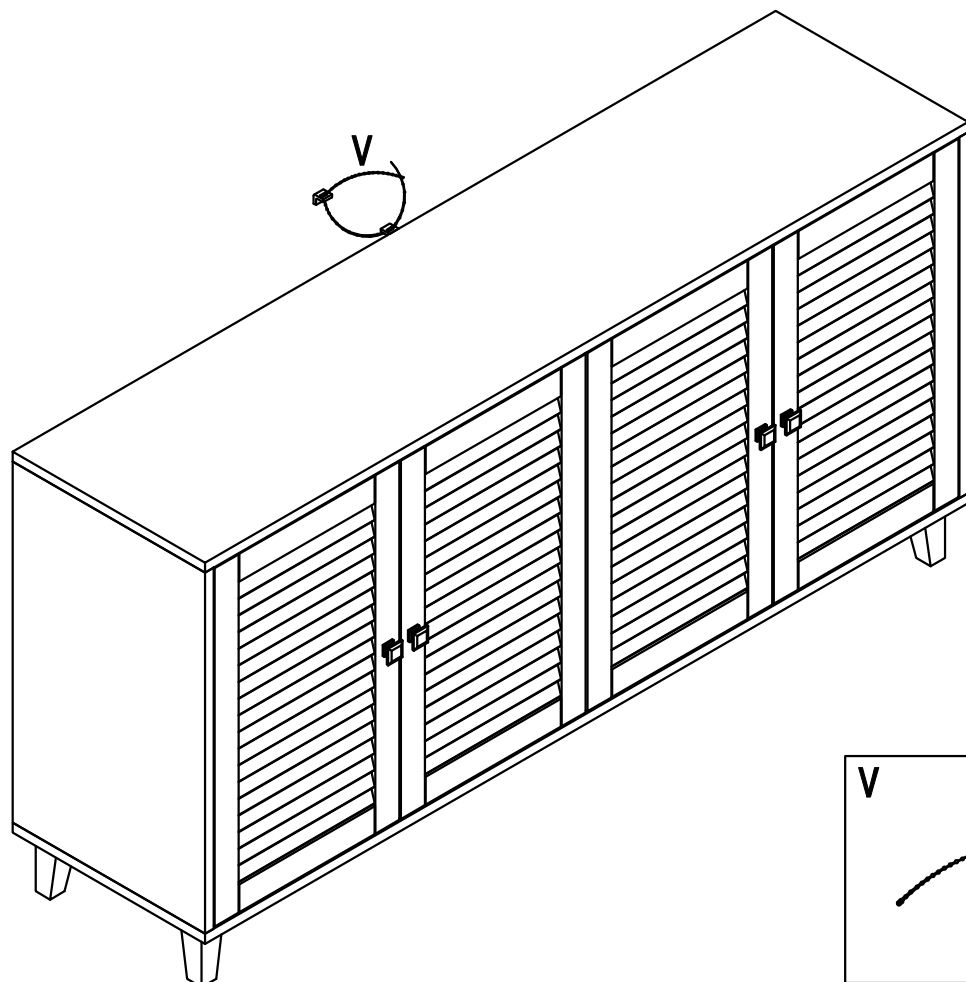



# Step 15:



S		1pc
T		1pc
U		1pc
W		2pcs

# Step 16:



V		1pc
---	---	-----