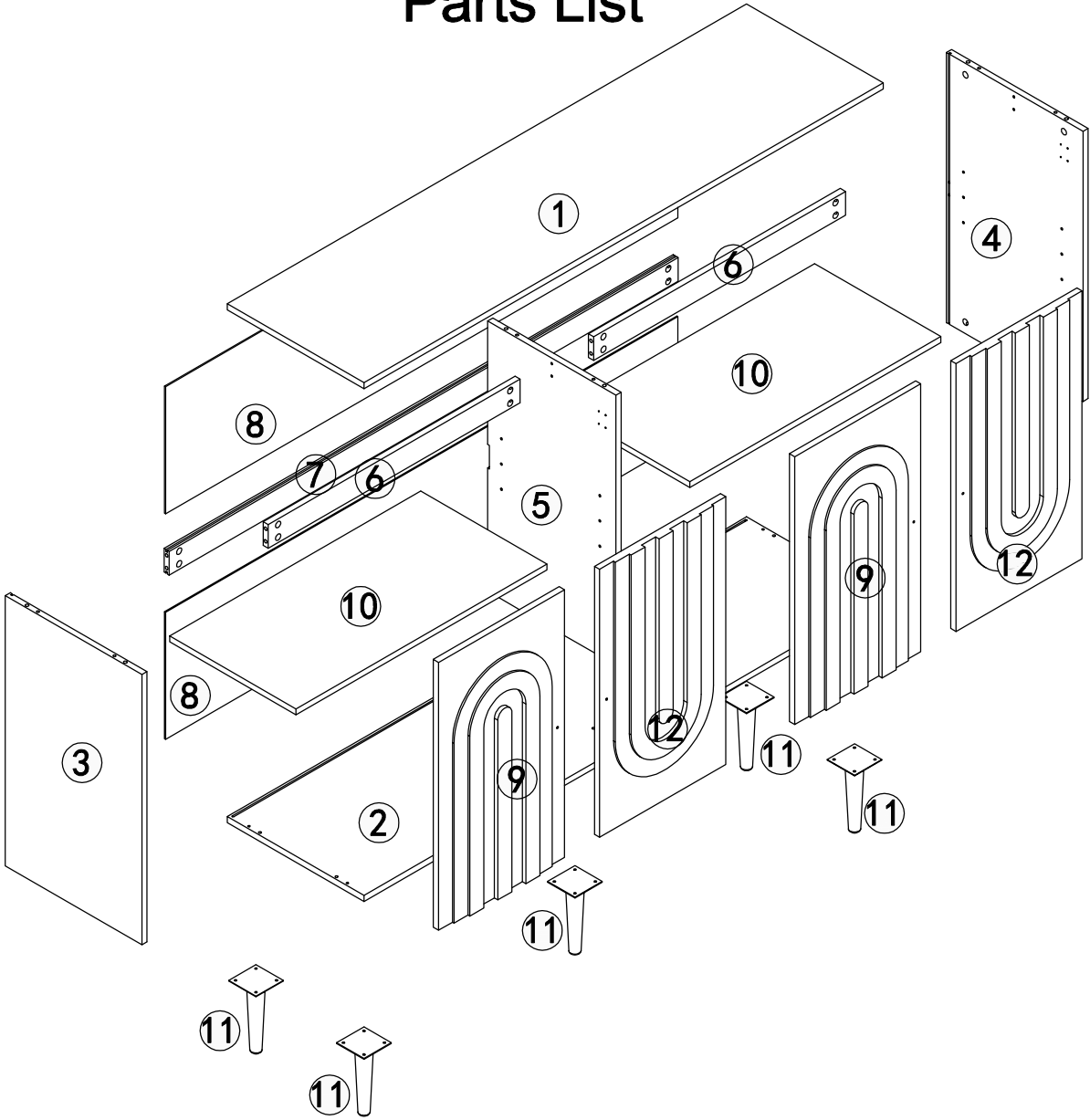
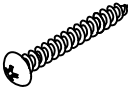
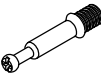

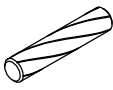
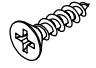


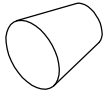
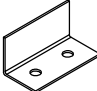
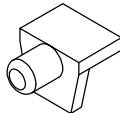
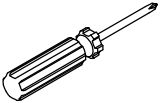

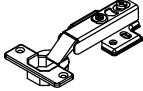
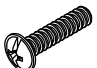

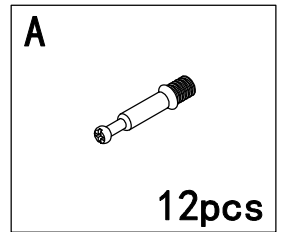
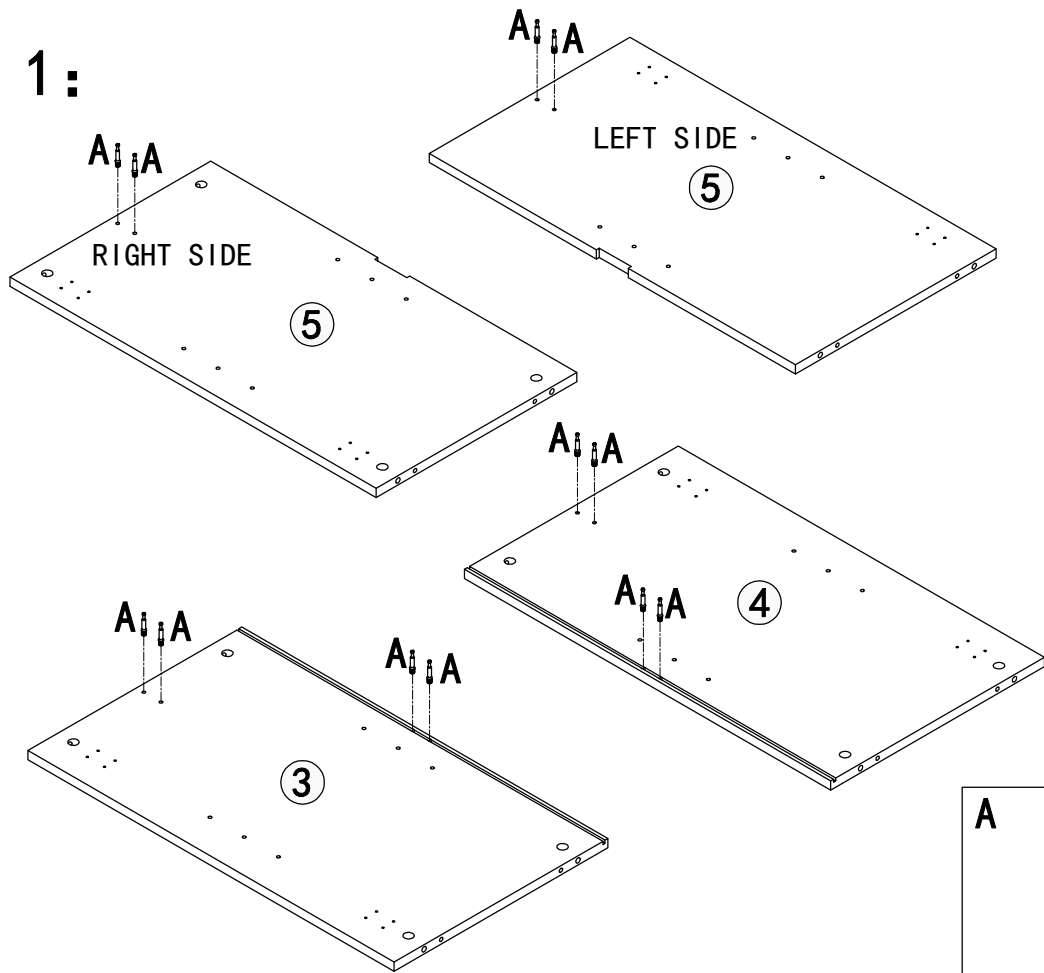


# Parts List

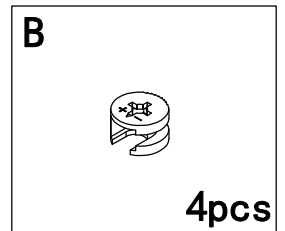
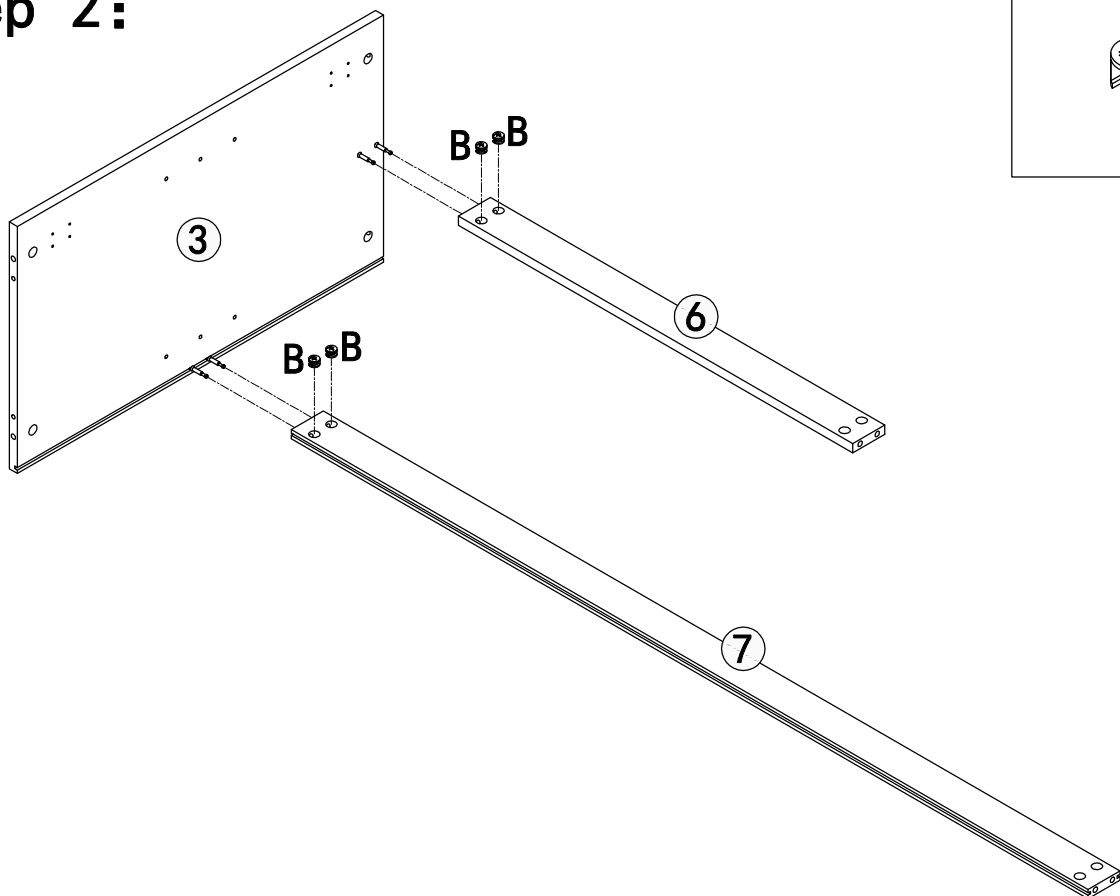


<b>W</b>  2 pcs	<b>A</b>  24 pcs	<b>B</b>  24 pcs	<b>C</b>  12 pcs	<b>D</b>  72 pcs
<b>E</b>  4 pcs	<b>F</b>  12 pcs	<b>G</b>  4 pcs	<b>H</b>  2 pcs	<b>I</b>  8 pcs
<b>J</b>  1 pc	<b>K</b>  12 pcs	<b>L</b>  4 pcs	<b>M</b>  4 pcs	<b>N</b>  4 pcs

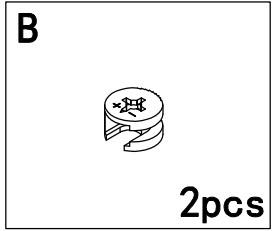
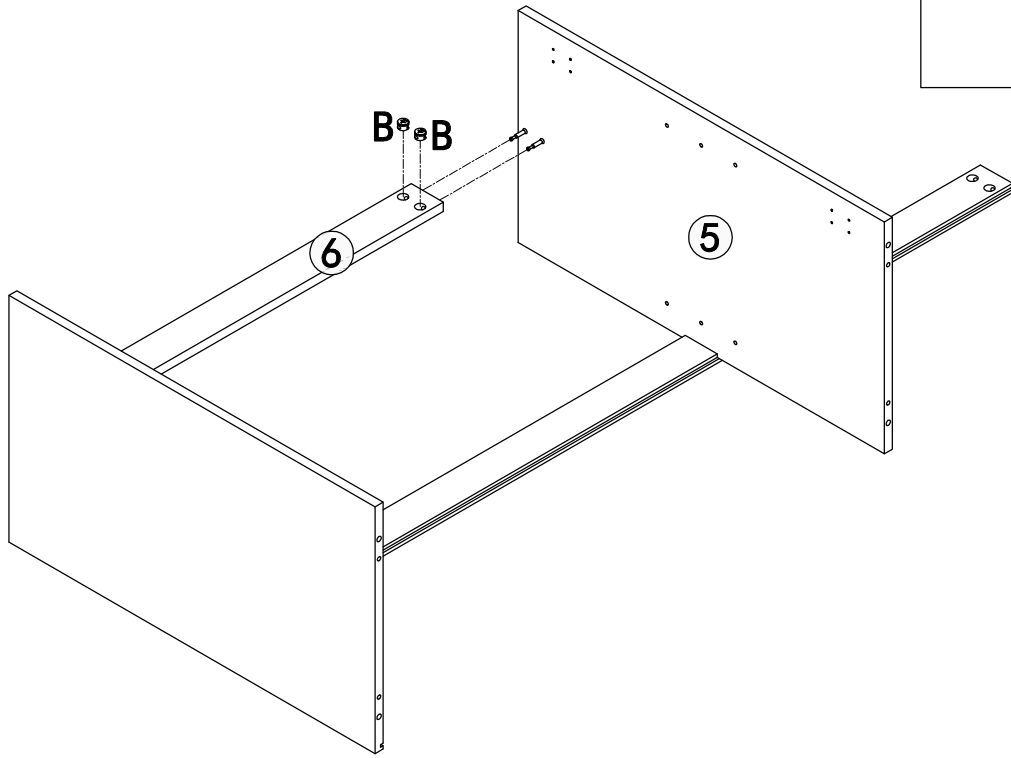
# Step 1:



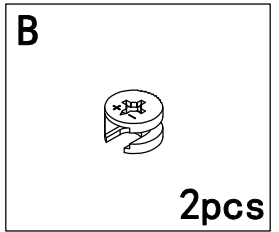
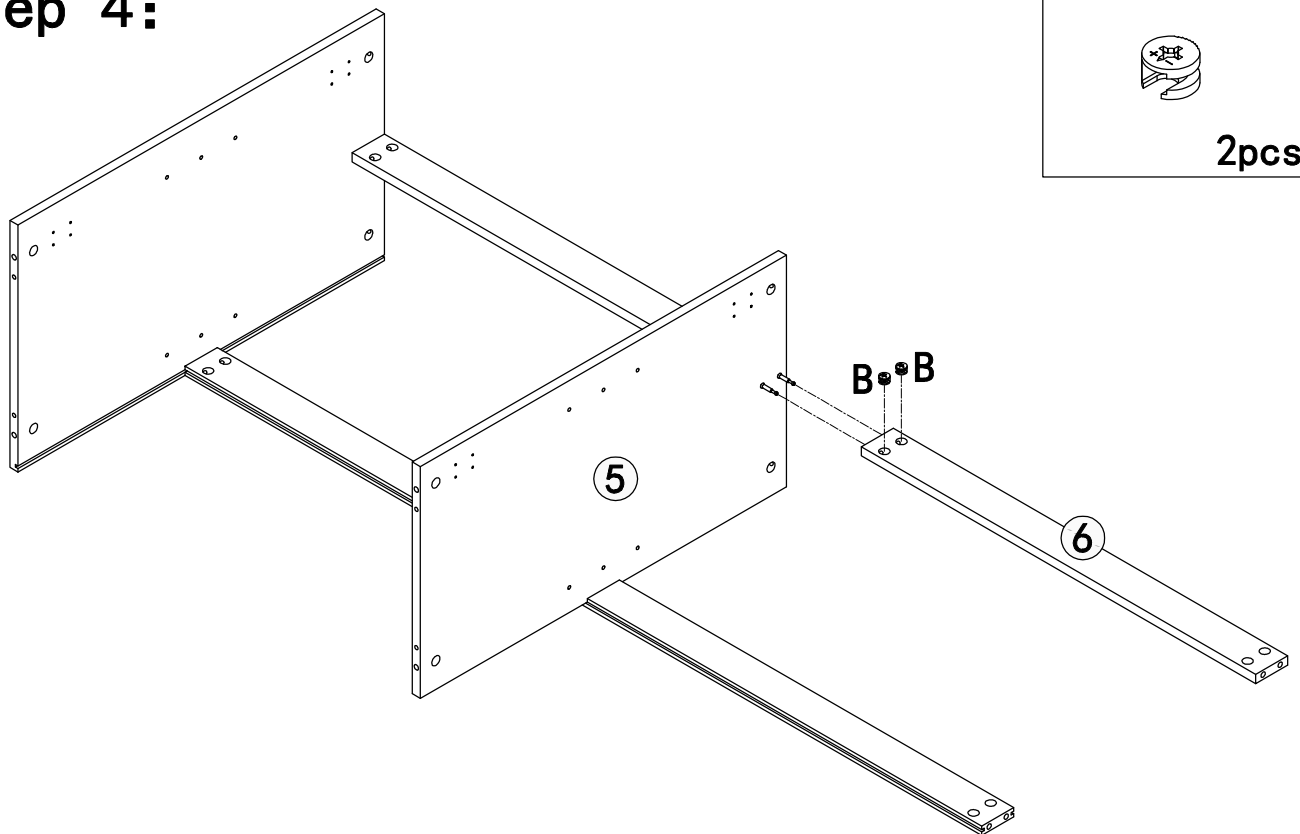
# Step 2:



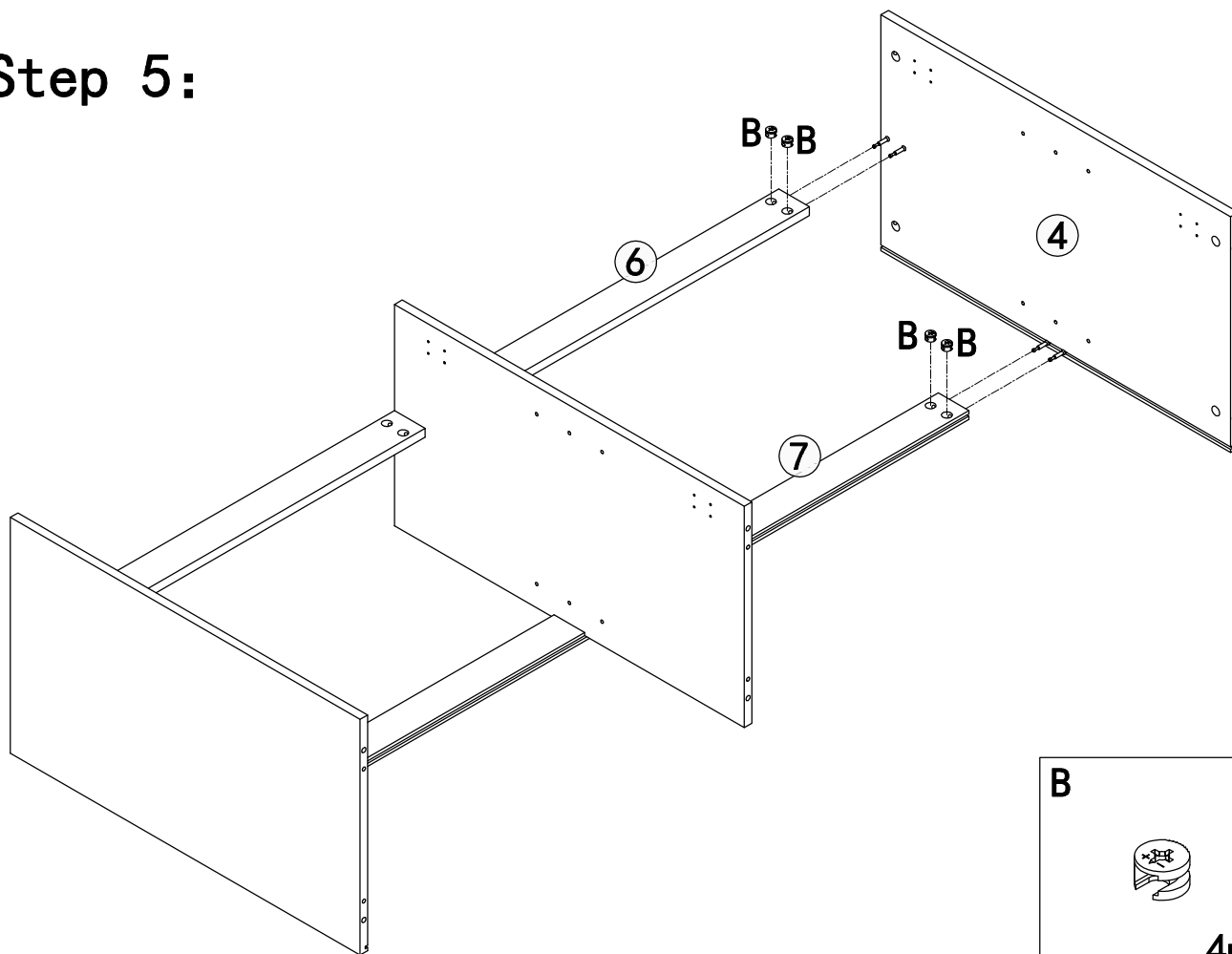
### Step 3:



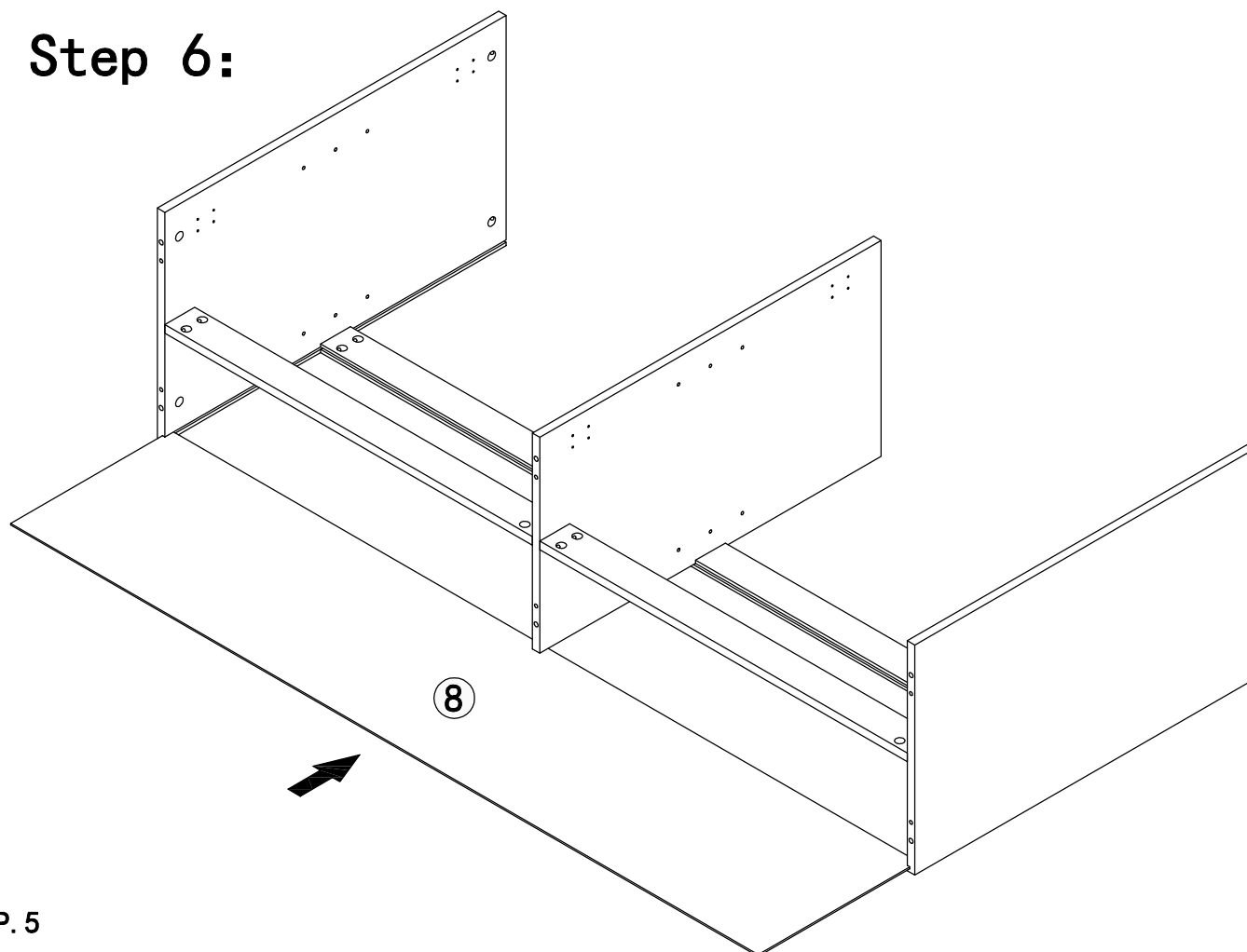
### Step 4:



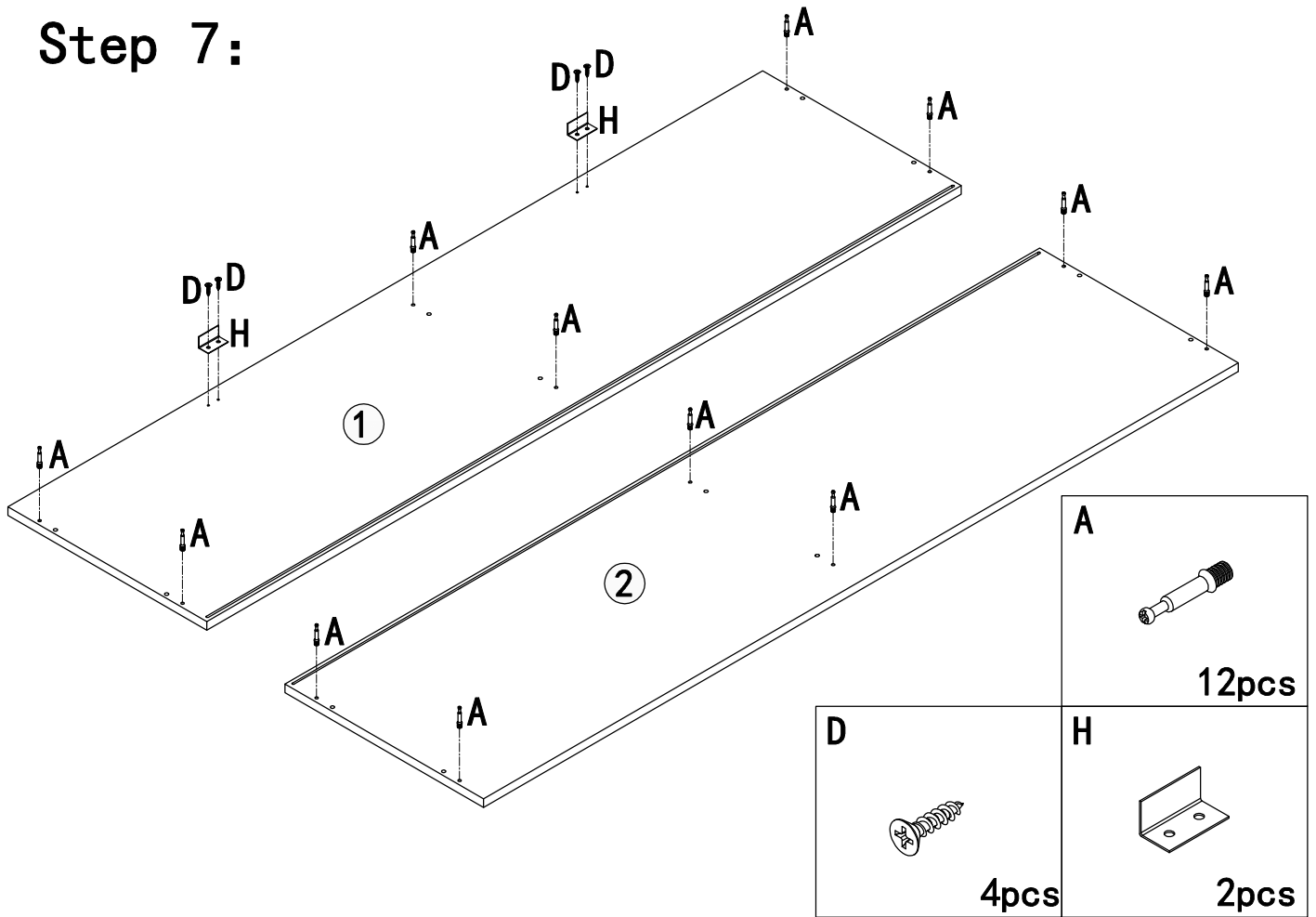
# Step 5:



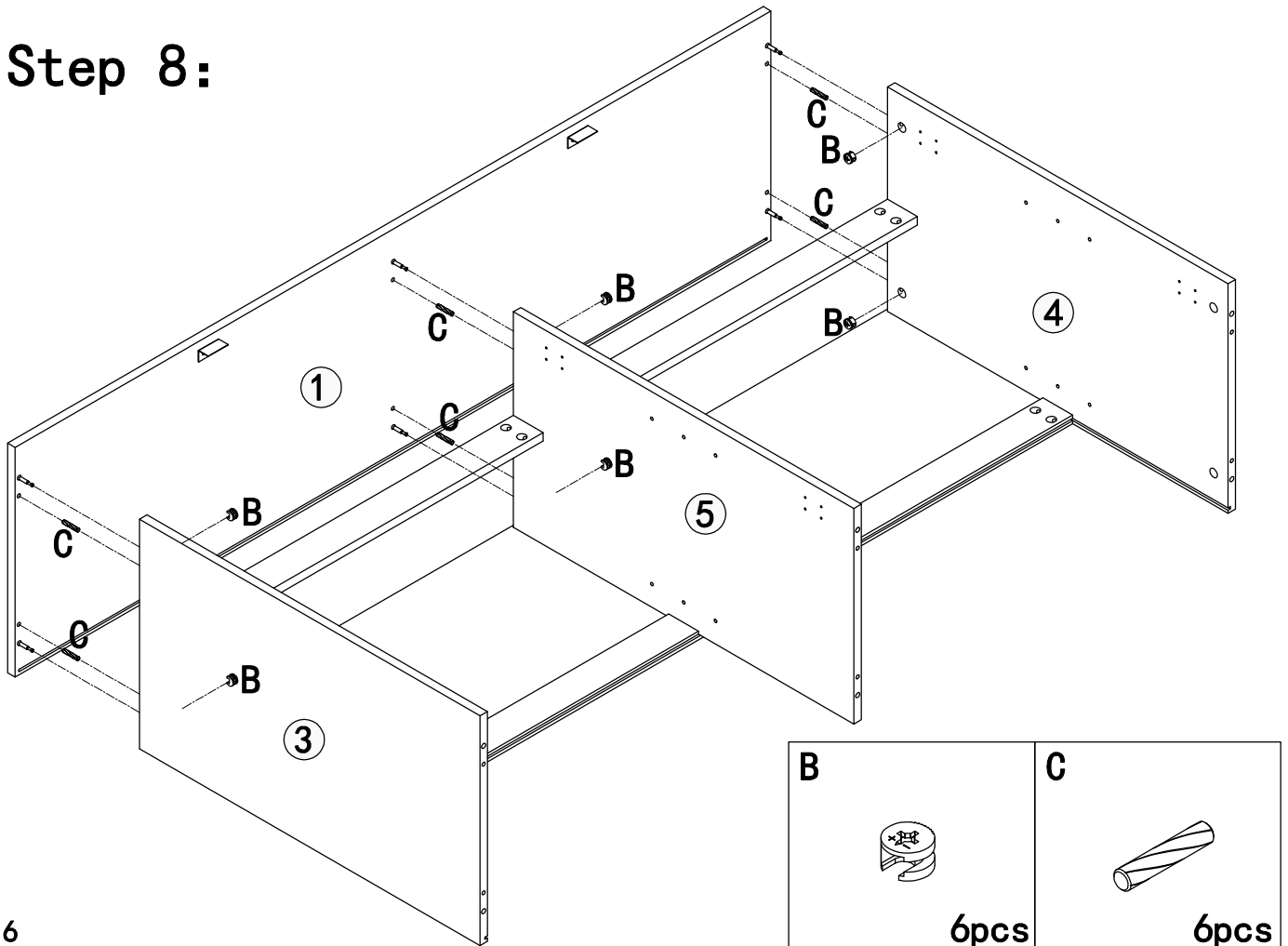
# Step 6:



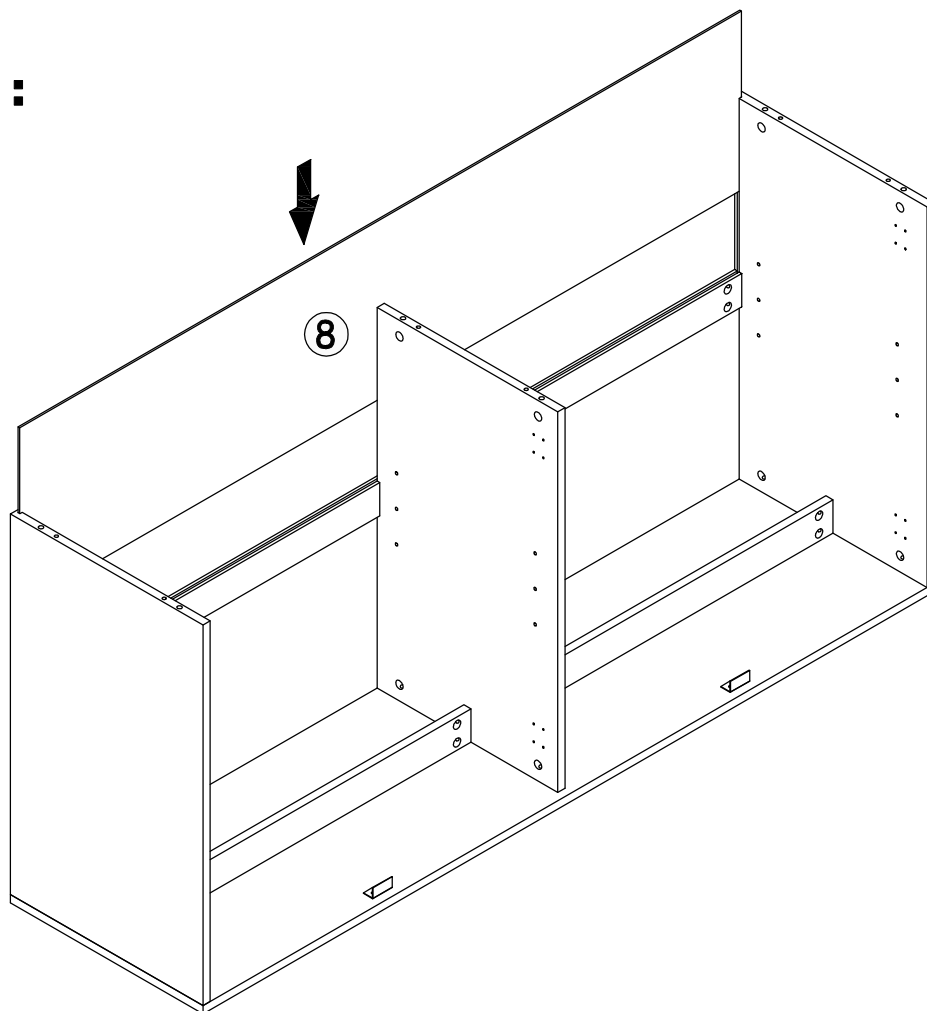
# Step 7:



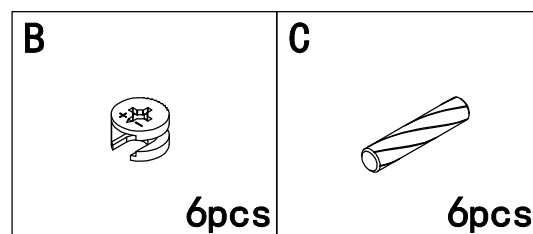
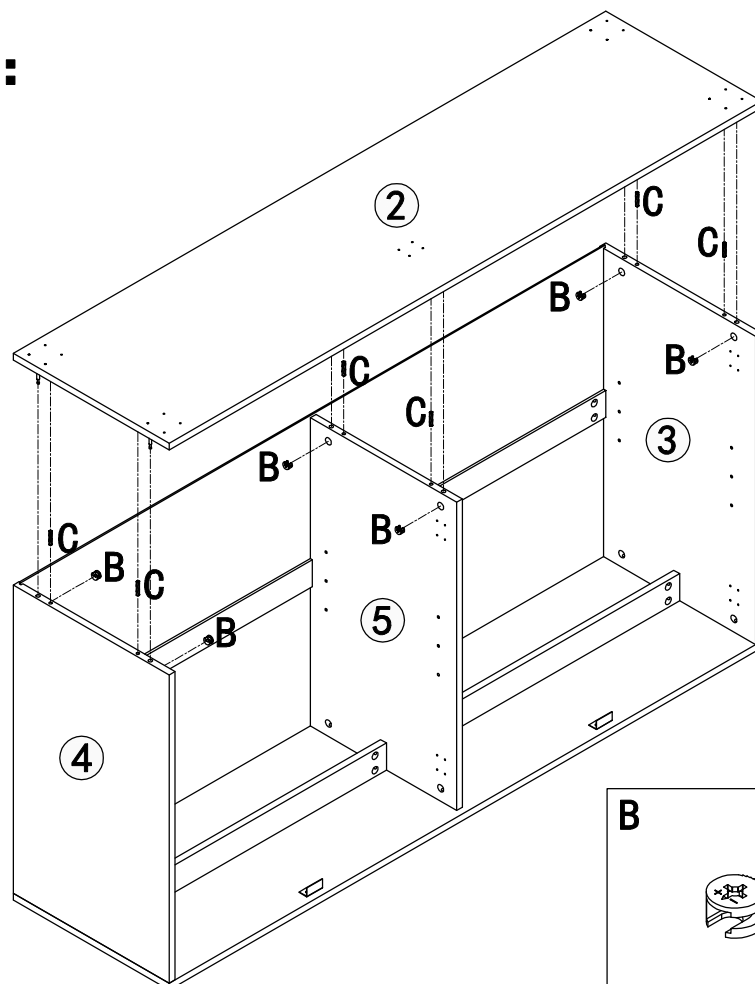
# Step 8:



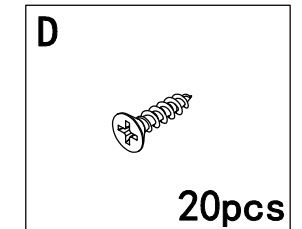
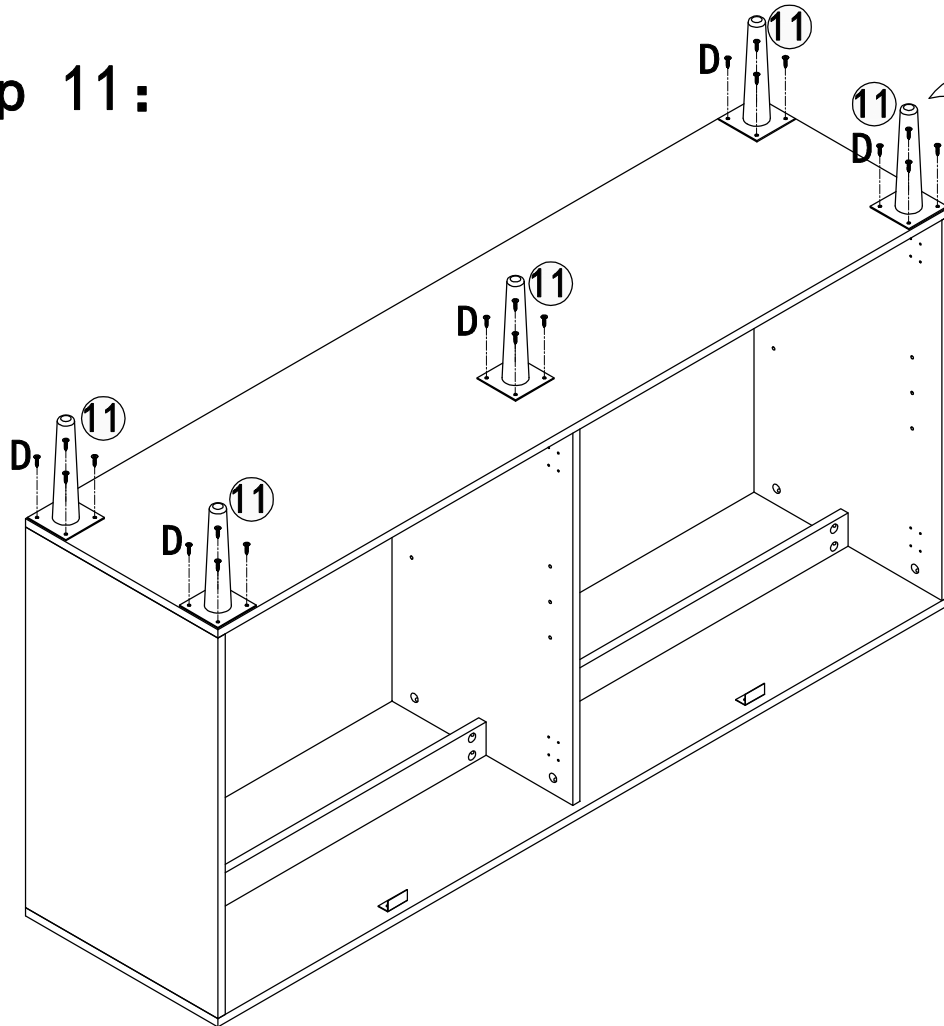
# Step 9:



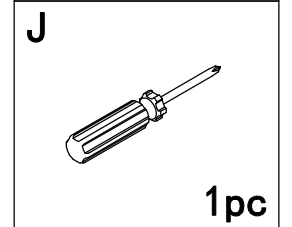
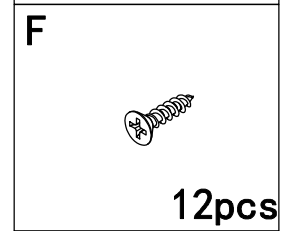
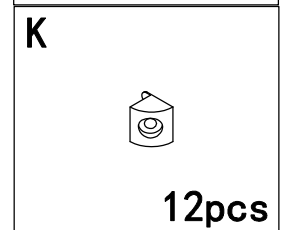
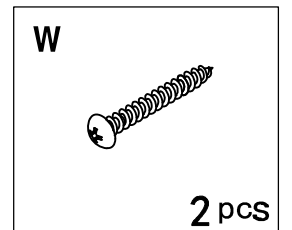
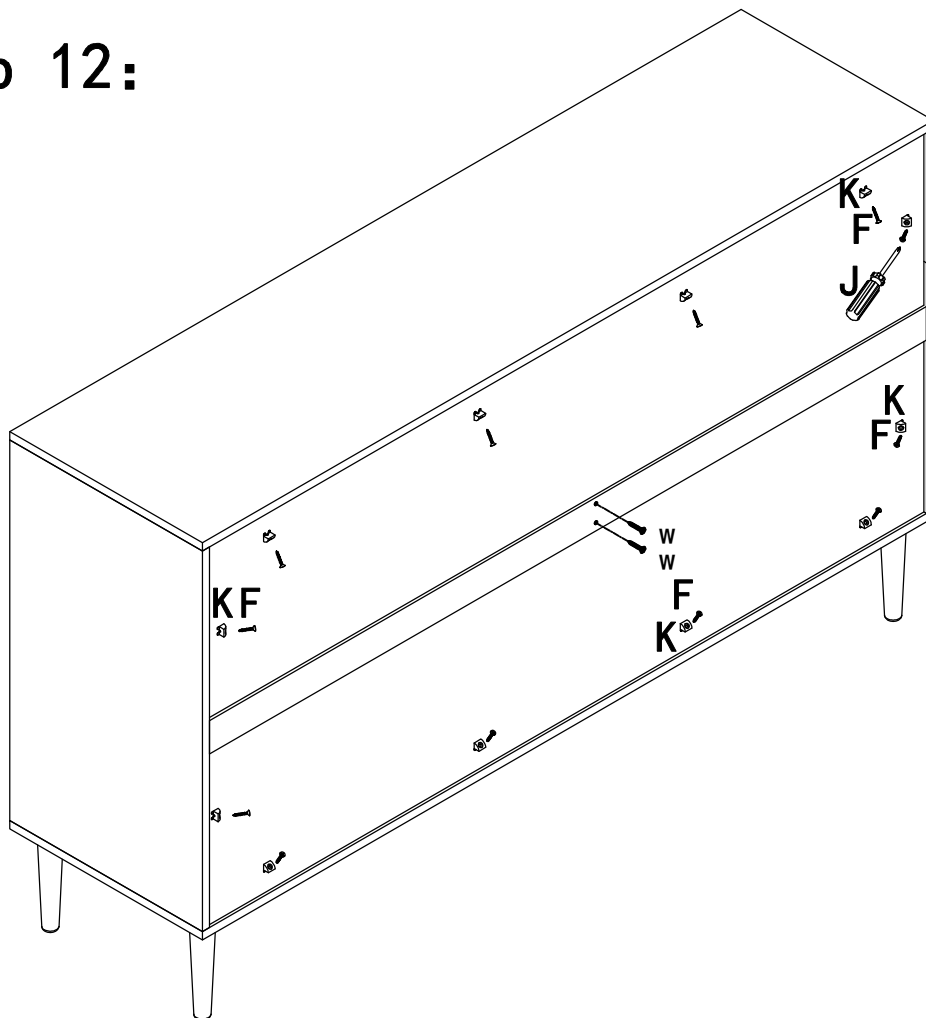
# Step 10:



# Step 11:

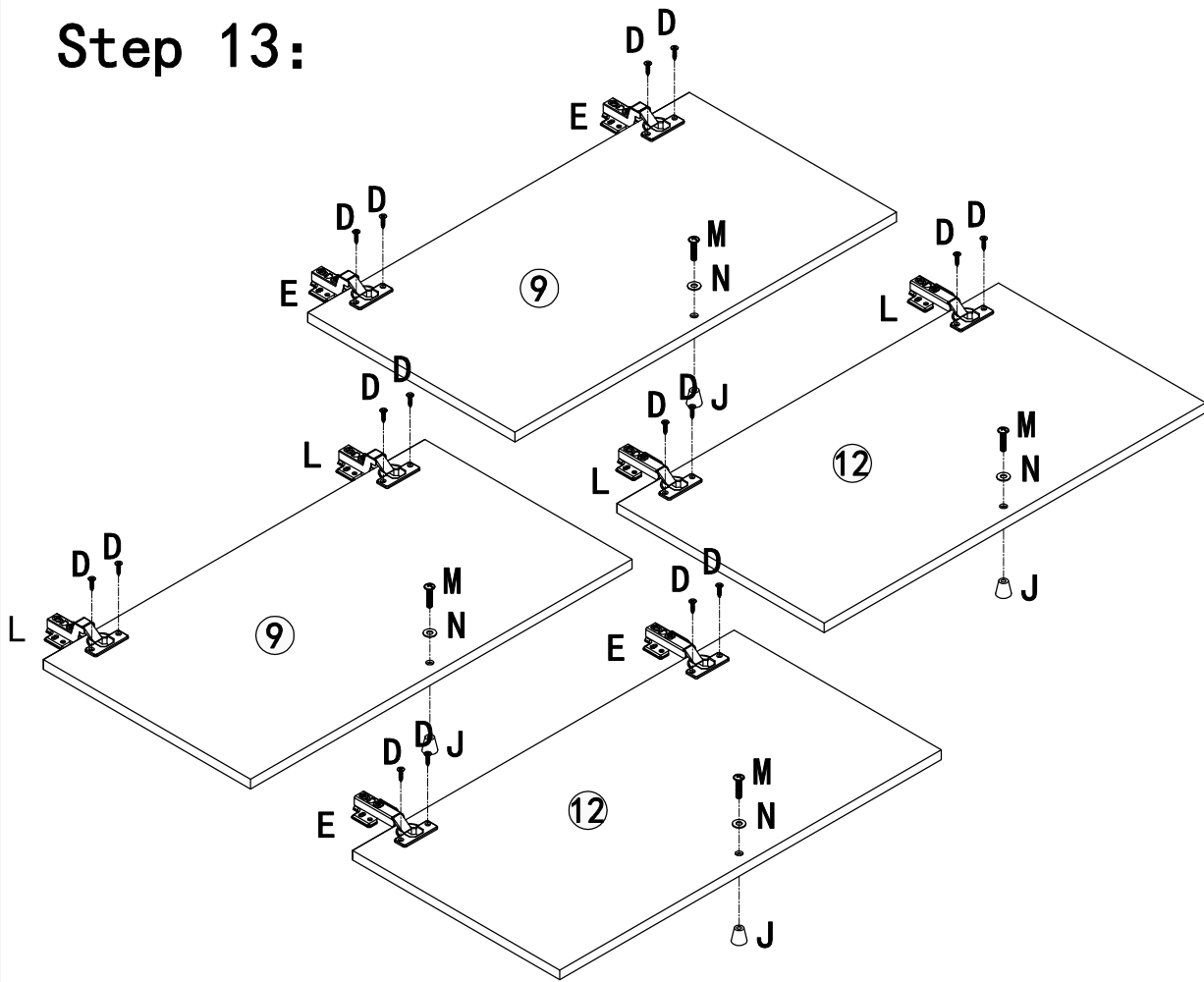


# Step 12:





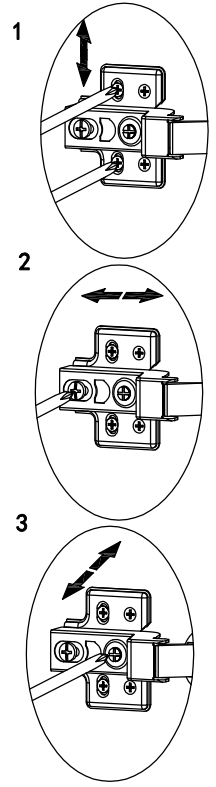
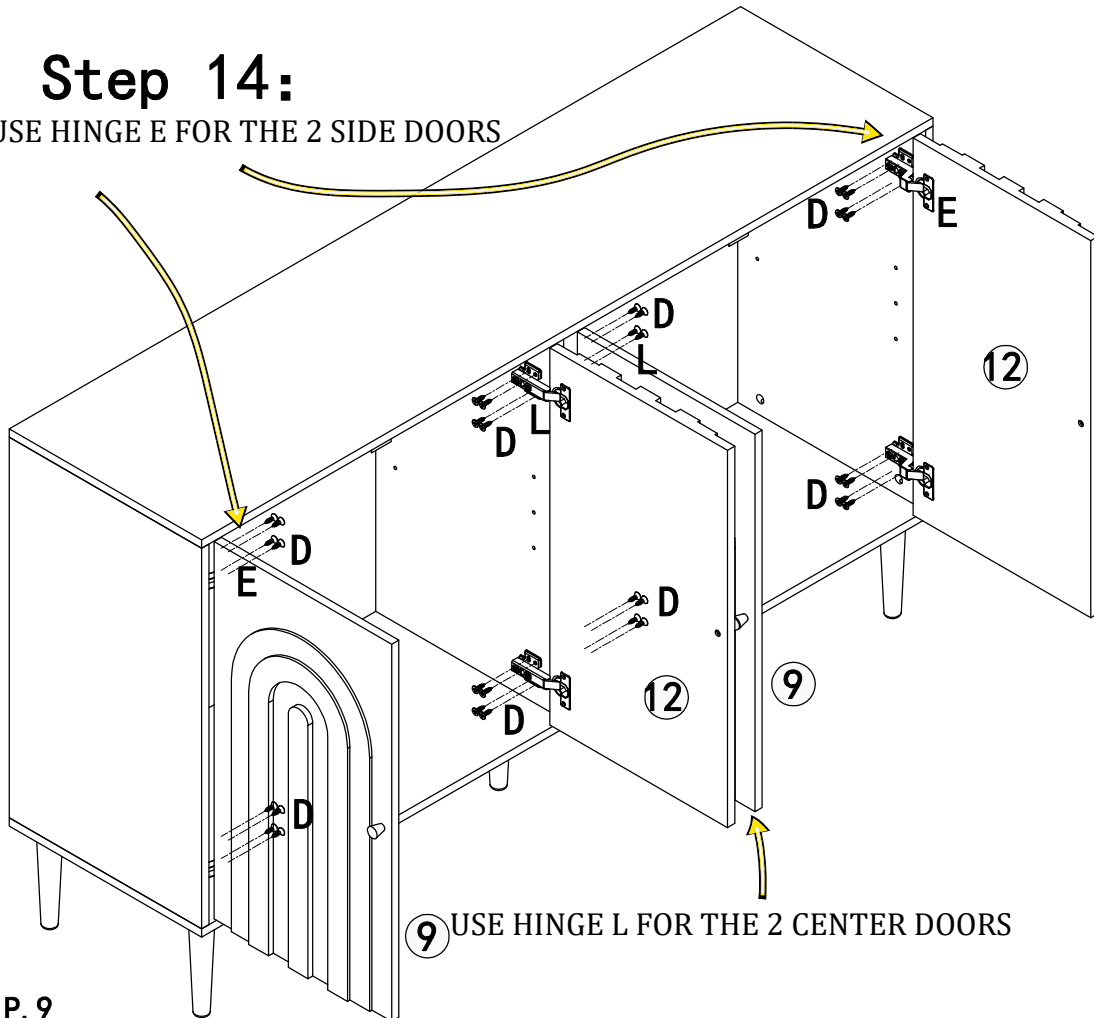
# Step 13:



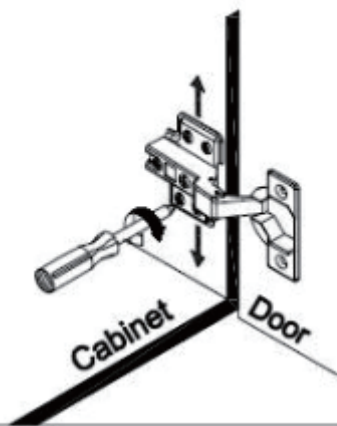
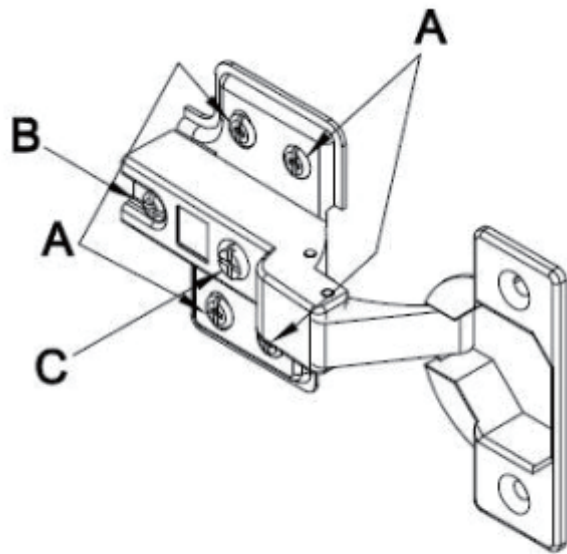
E		4pcs
J		4pcs
M		4pcs
N		4pcs
D		16pcs
L		4pcs

# Step 14:

USE HINGE E FOR THE 2 SIDE DOORS

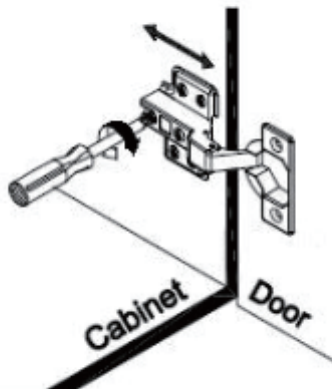


D		32pcs
---	--	-------



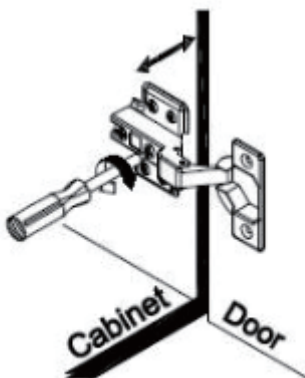
**To adjust the vertical height.**

Loosen the four screws "A" on both hinges. Two of them are usually in slotted holes which allows you to adjust up or down by a few mm. Then tighten back up.



**To adjust depth.**

Loosen screw "B" and adjust door, if the door can not be adjusted, please loosen screw "C", then try again. Tighten screw "B" and "C".



**To adjust side ways.**

Turning the screw "C" on BOTH hinges on each door.

# Step 15:

