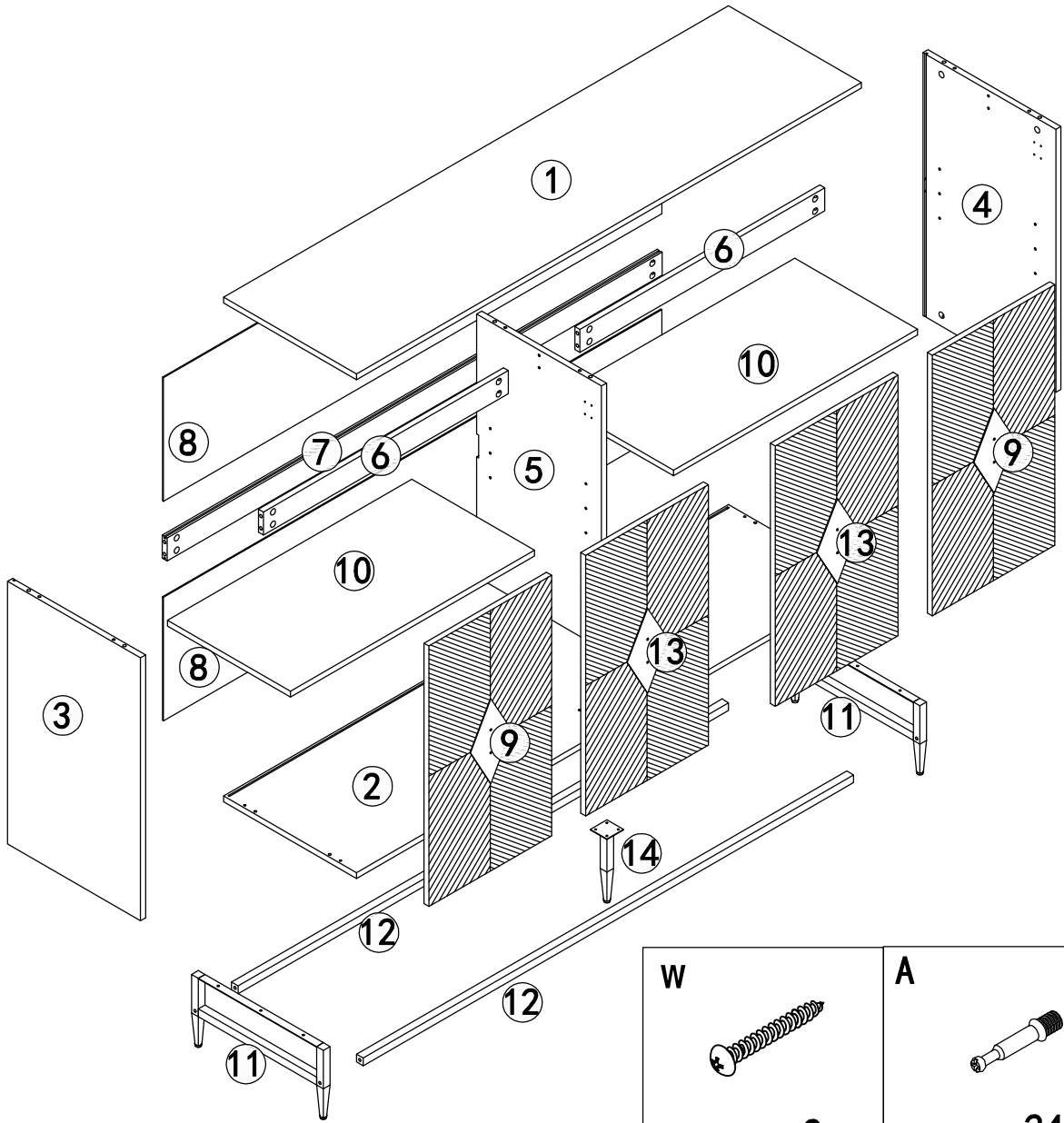
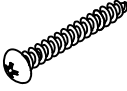


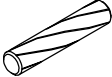

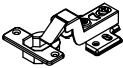

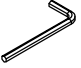



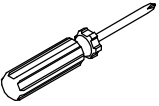
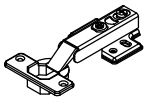
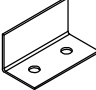
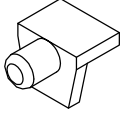

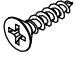
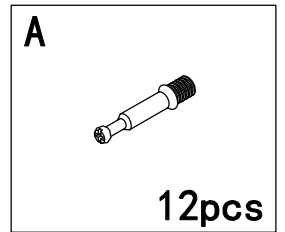
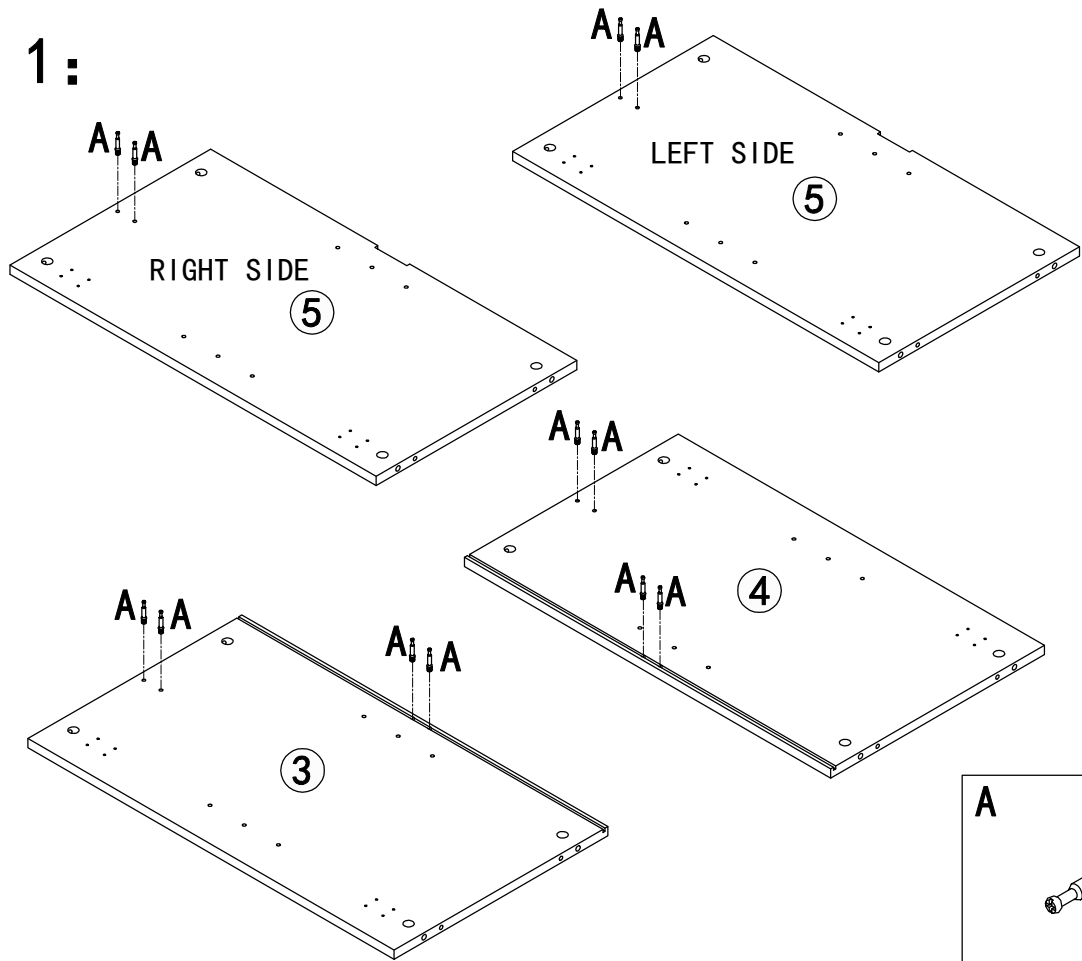


# Parts List

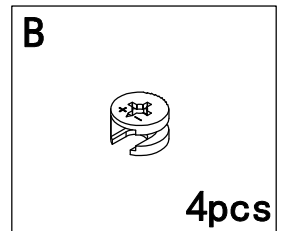
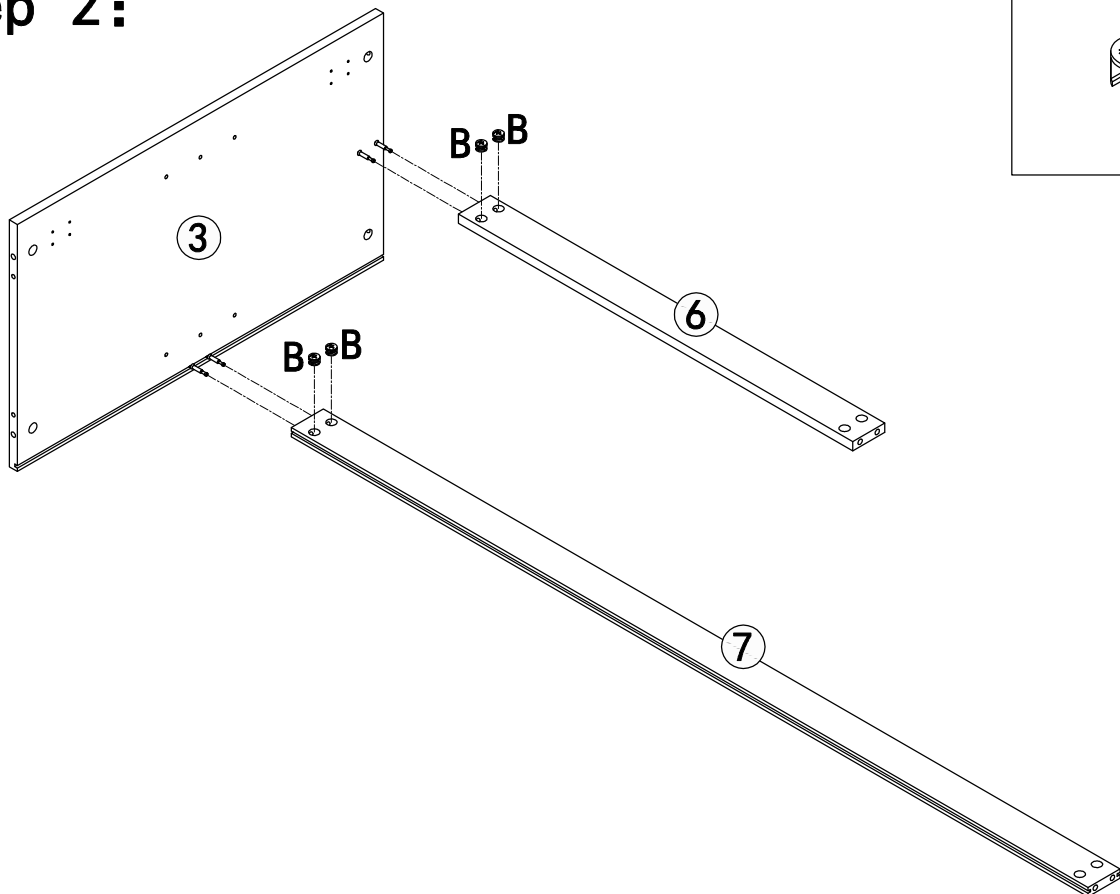


			W  2 pcs	A  24 pcs
B  24 pcs	C  12 pcs	D  62 pcs	E  4 pcs	F  4 pcs
G  1 pc	H  8 pcs	I  8 pcs	J  4 pcs	K  1 pc
L  4 pcs	M  2 pcs	N  8 pcs	O  12 pcs	P  12 pcs

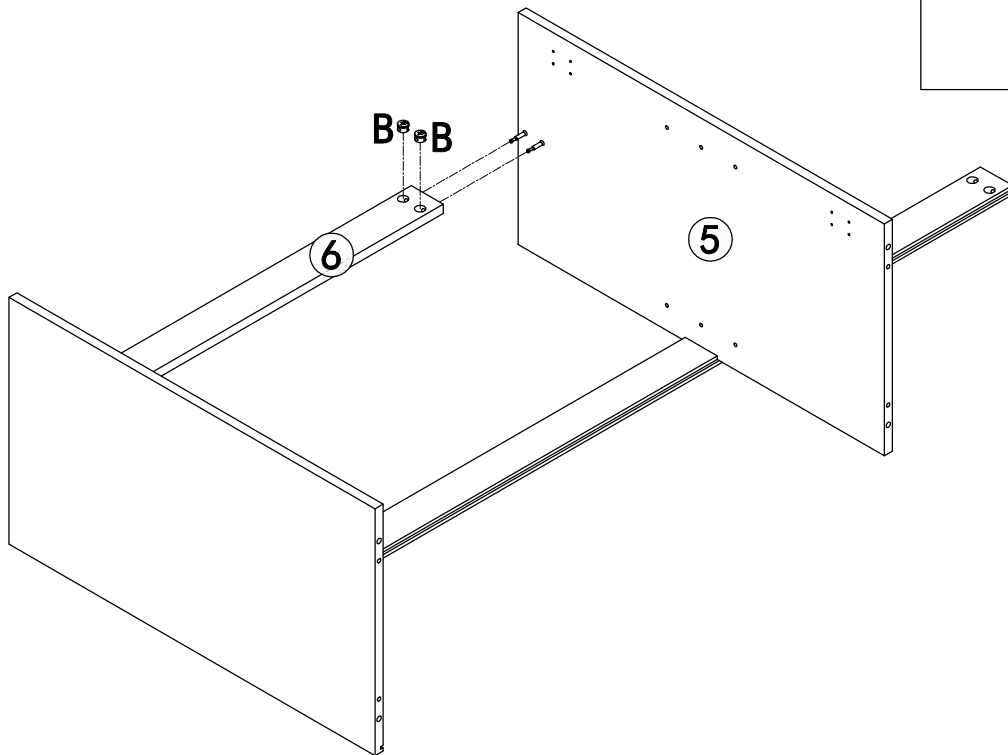
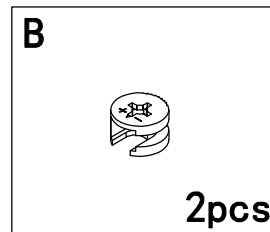
# Step 1:



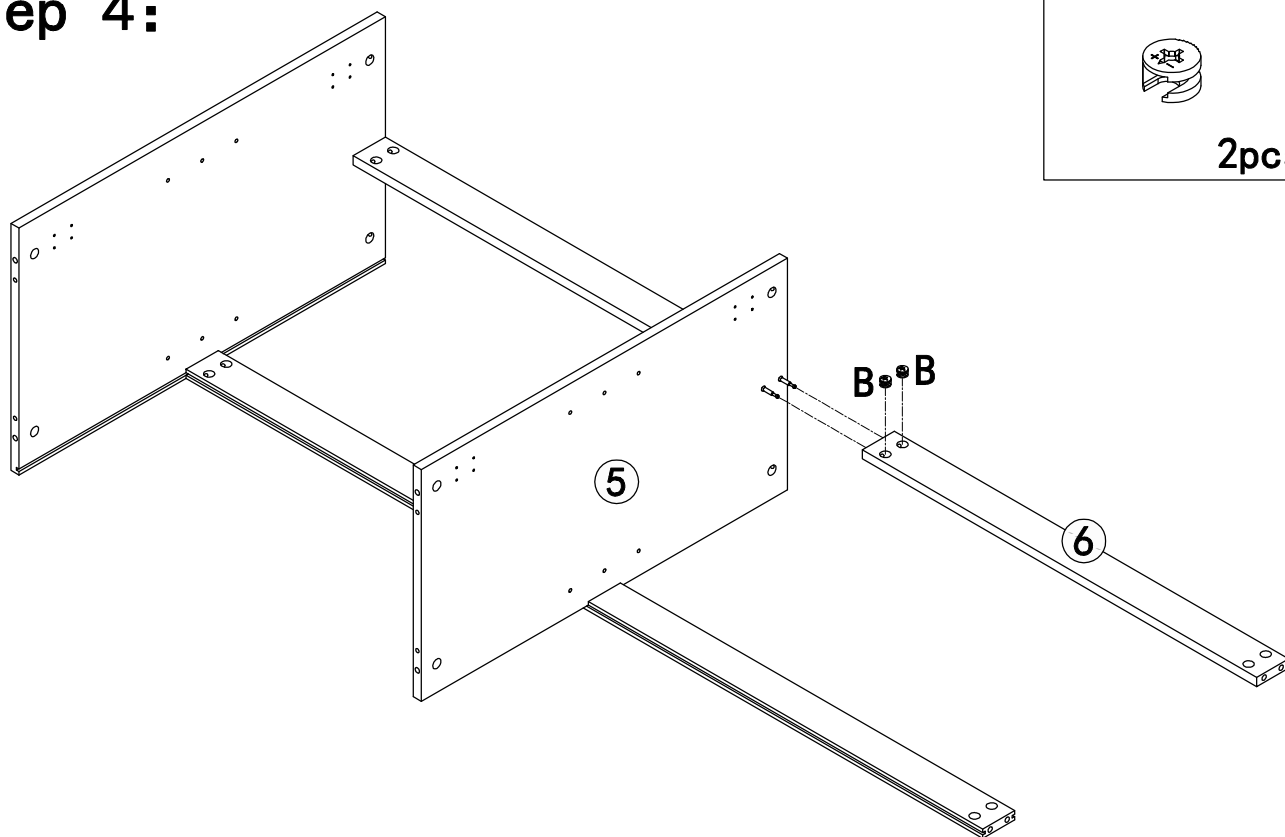
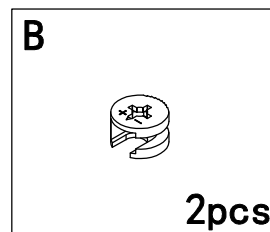
# Step 2:



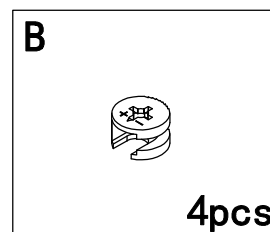
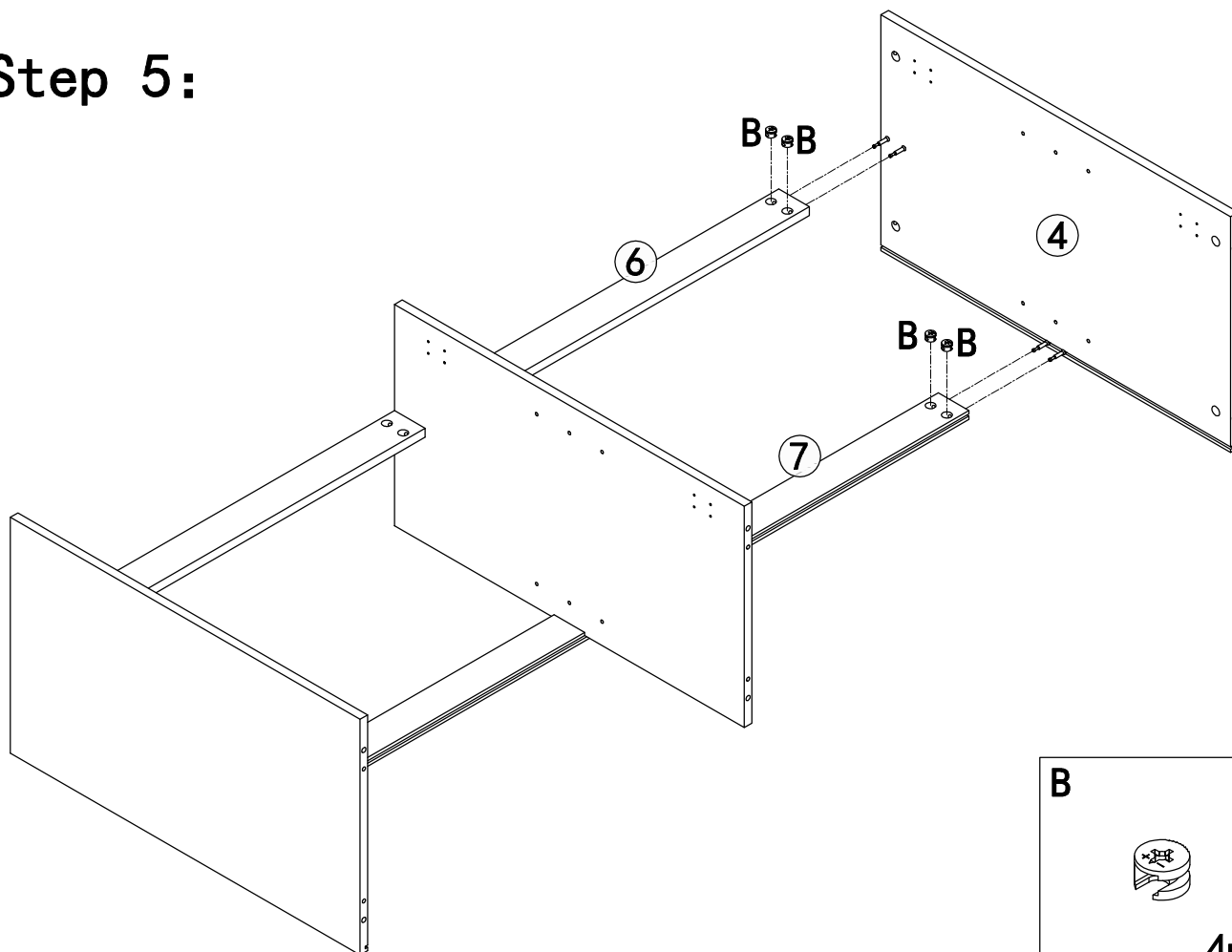
# Step 3:



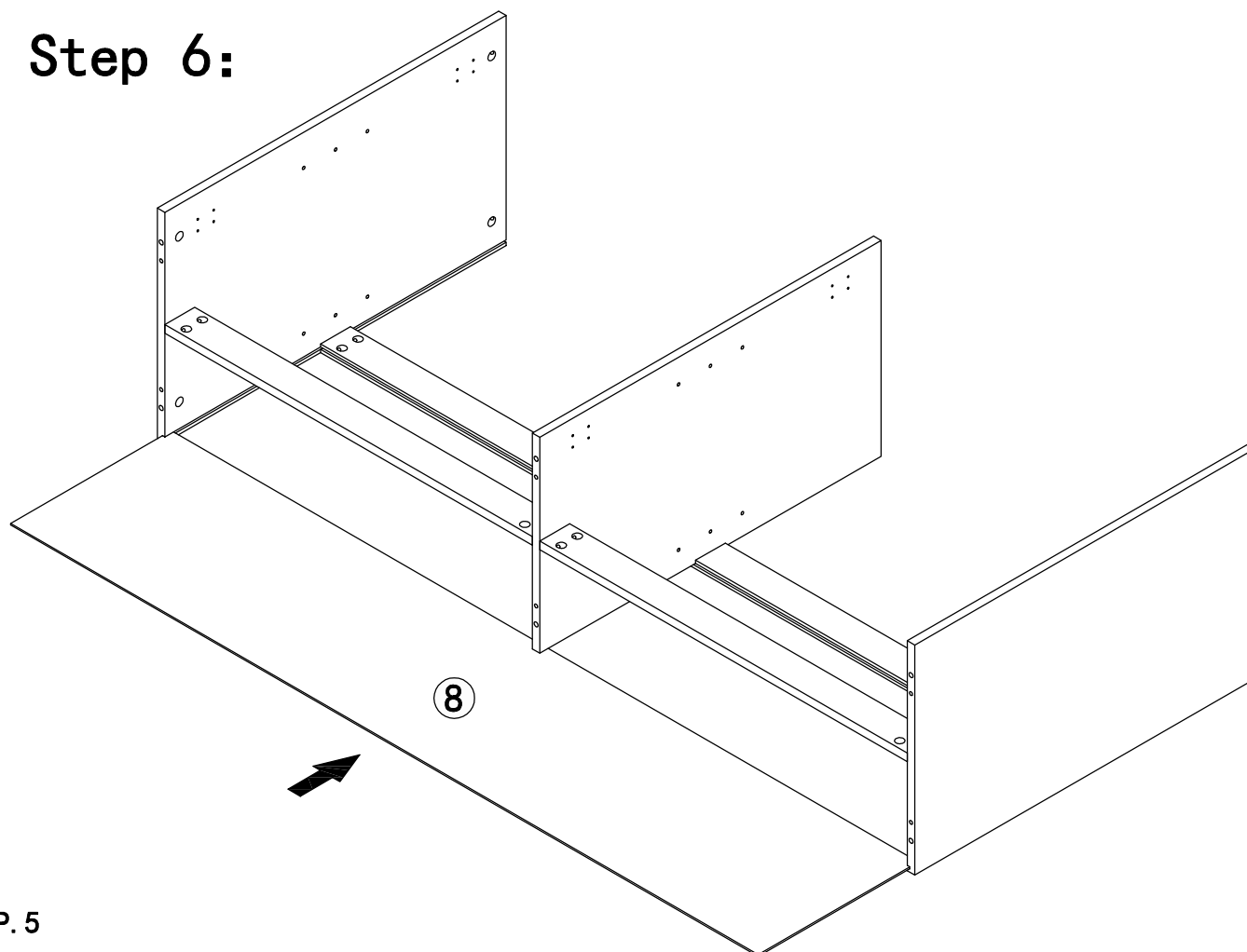
# Step 4:



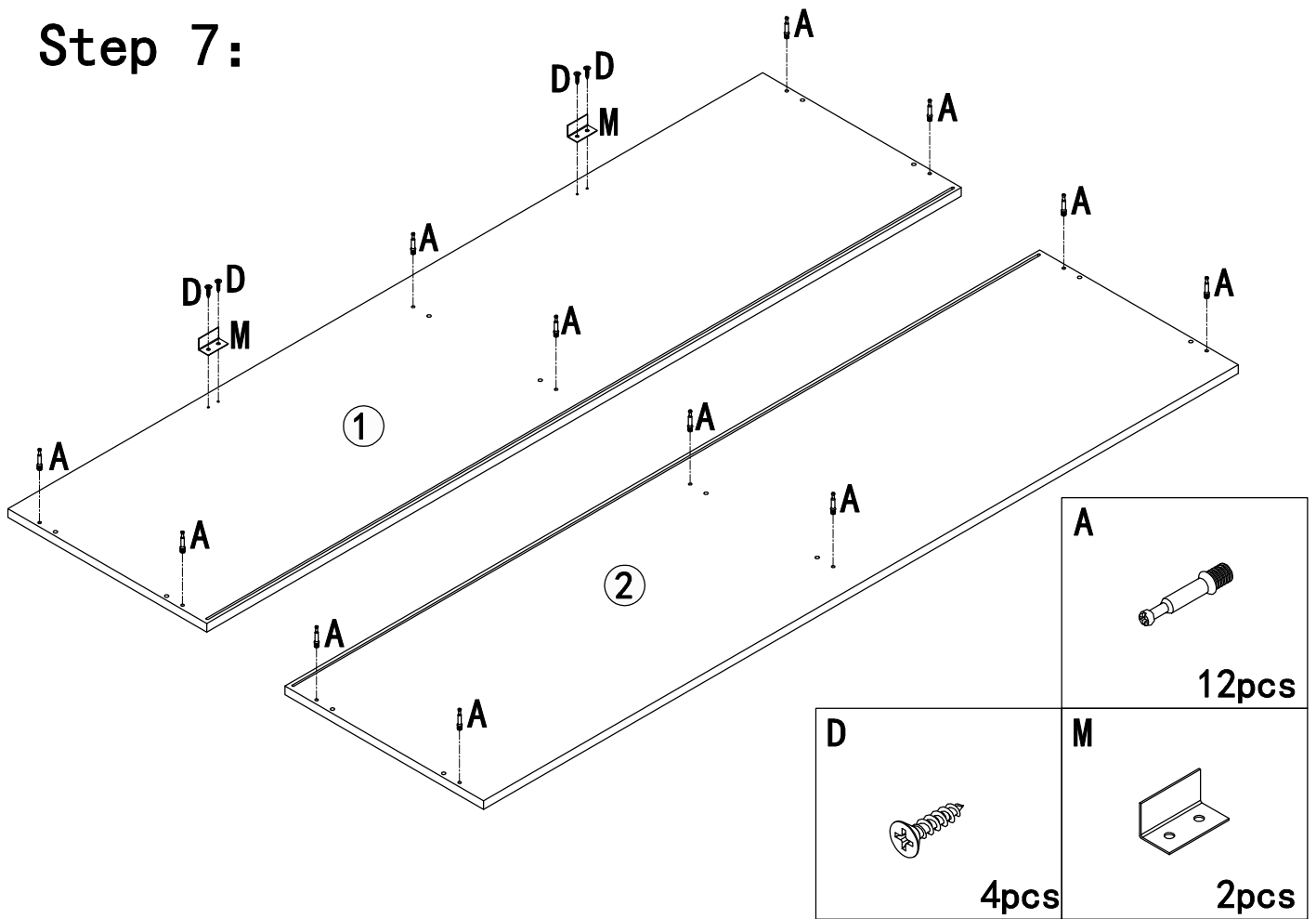
# Step 5:



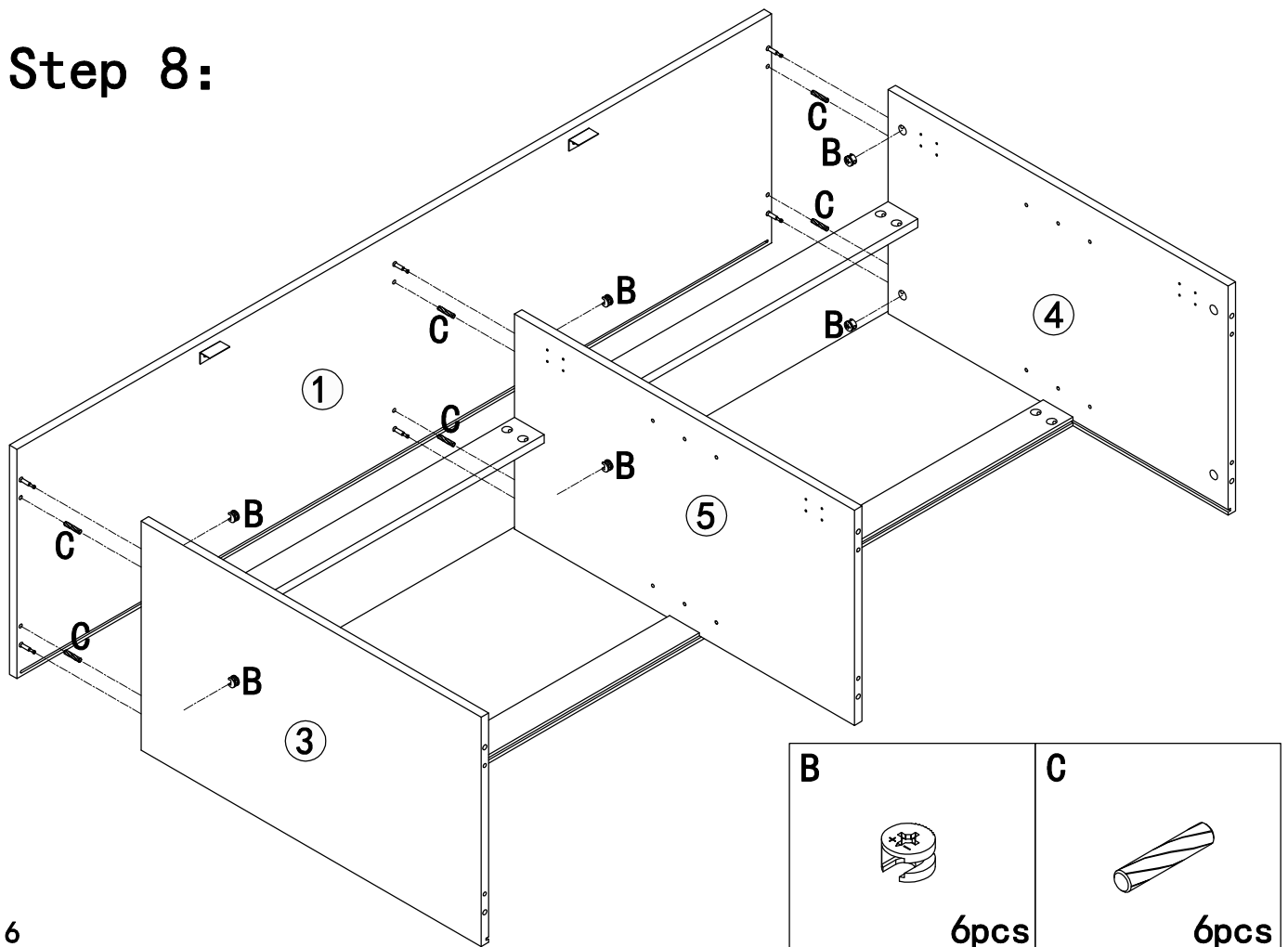
# Step 6:



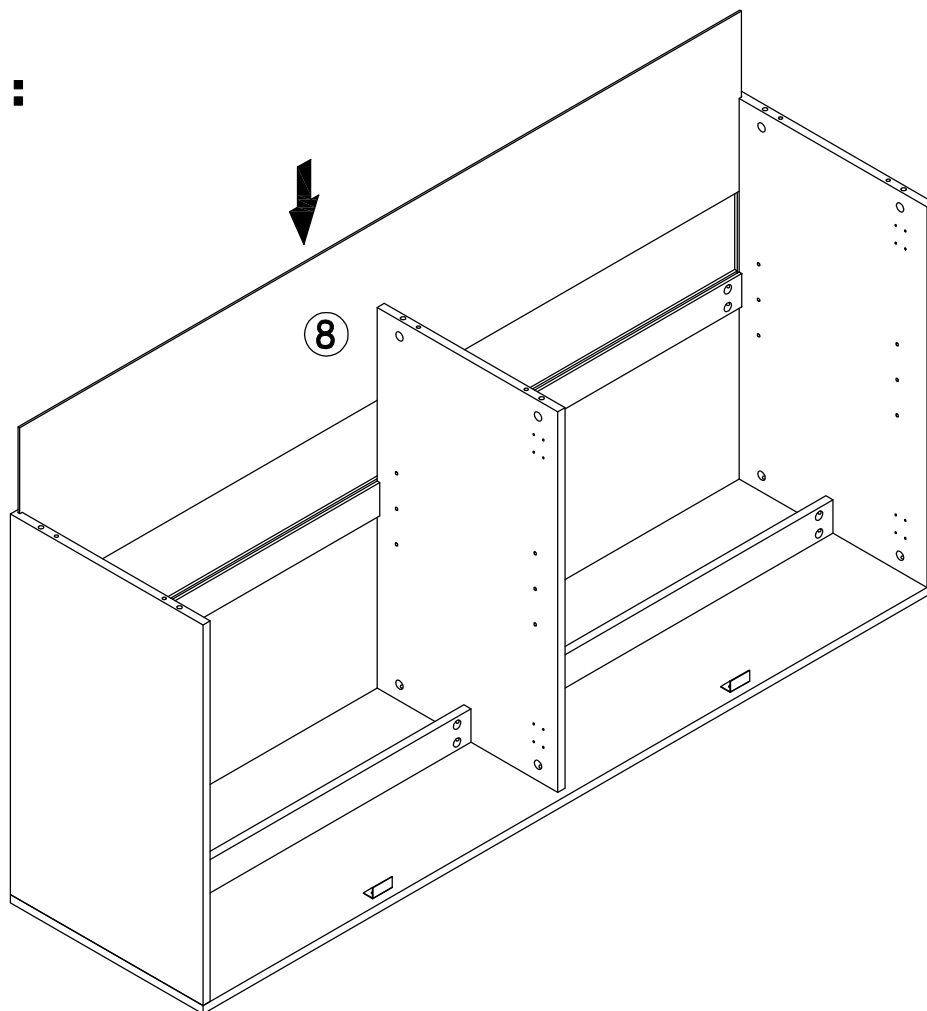
# Step 7:



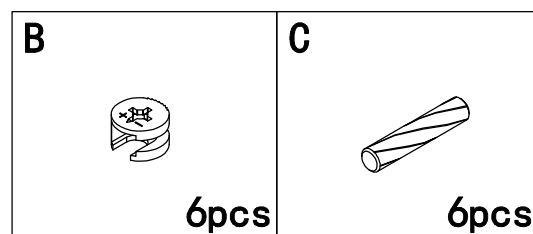
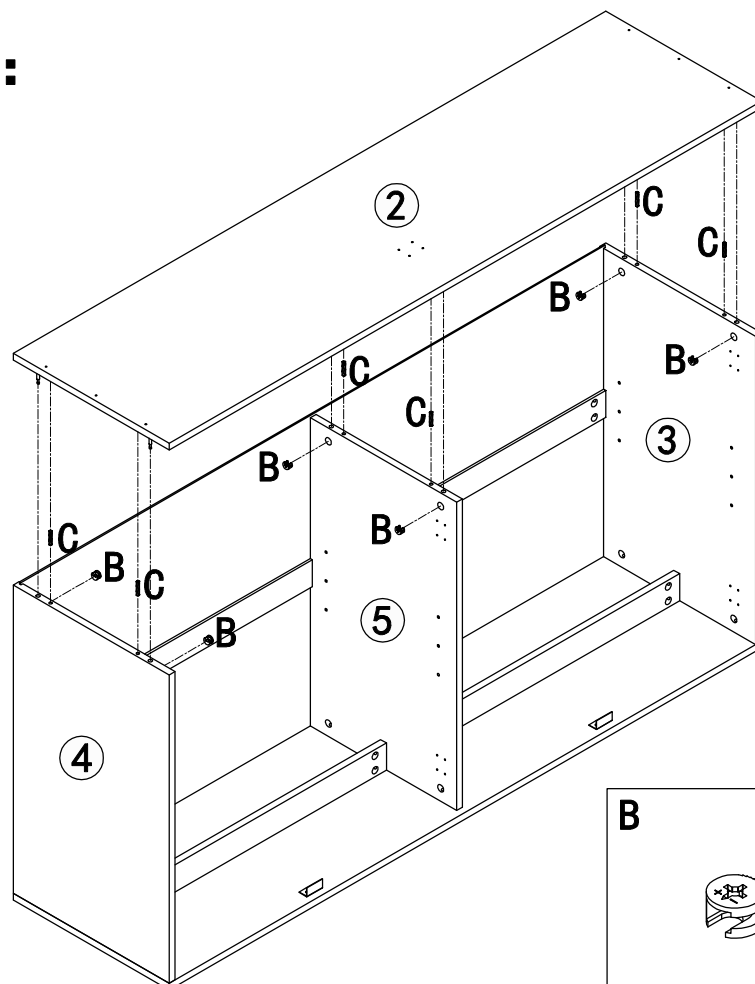
# Step 8:



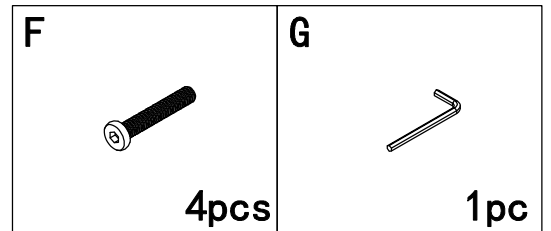
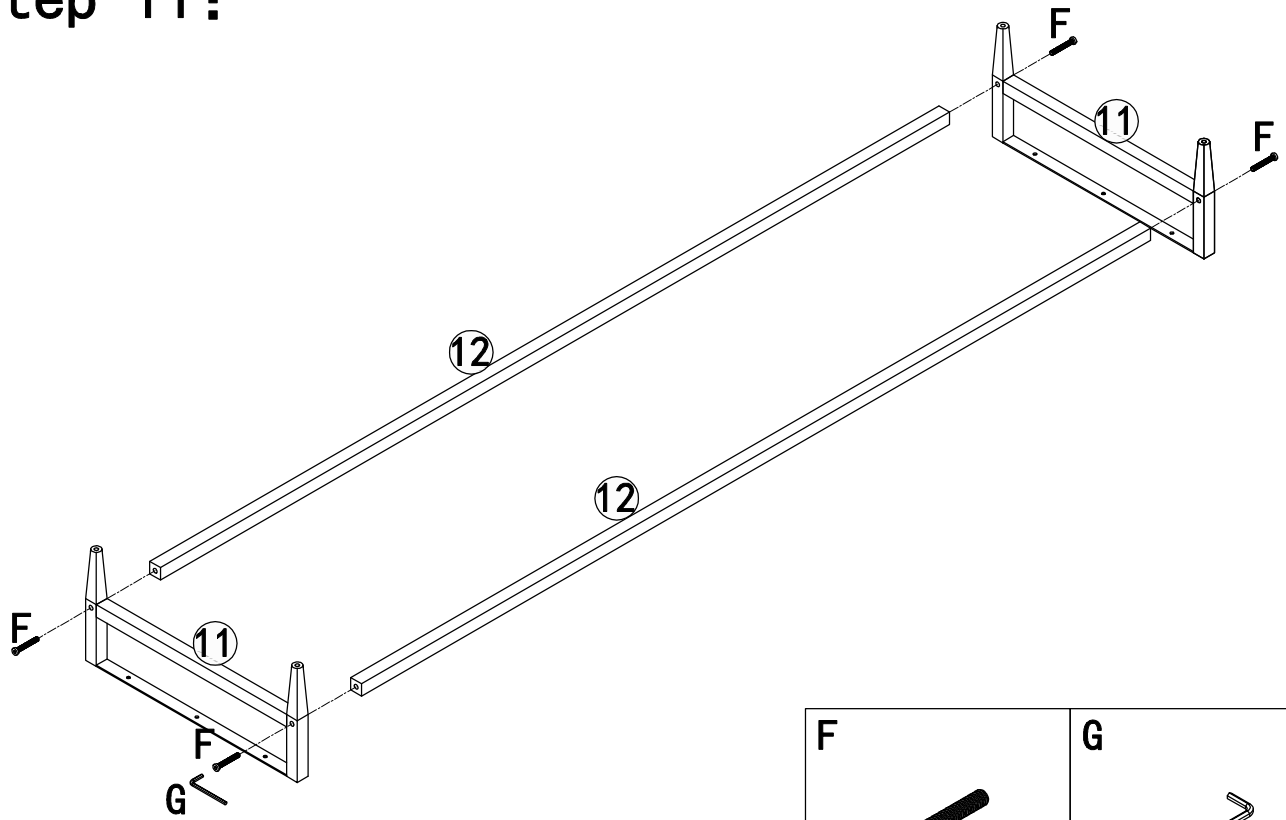
# Step 9:



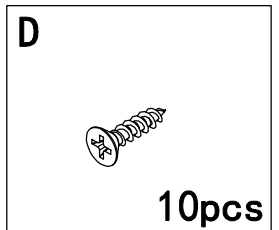
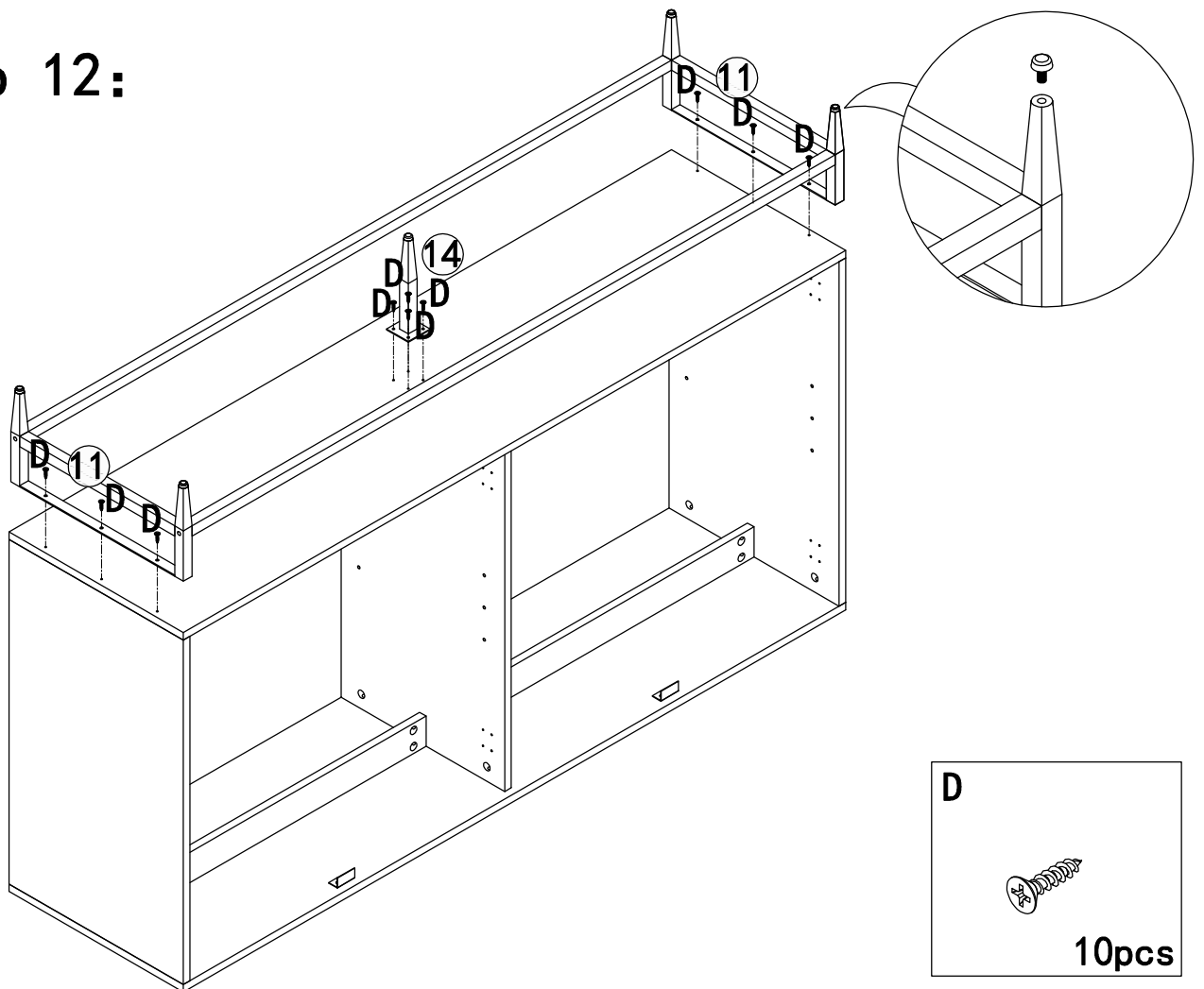
# Step 10:



# Step 11:

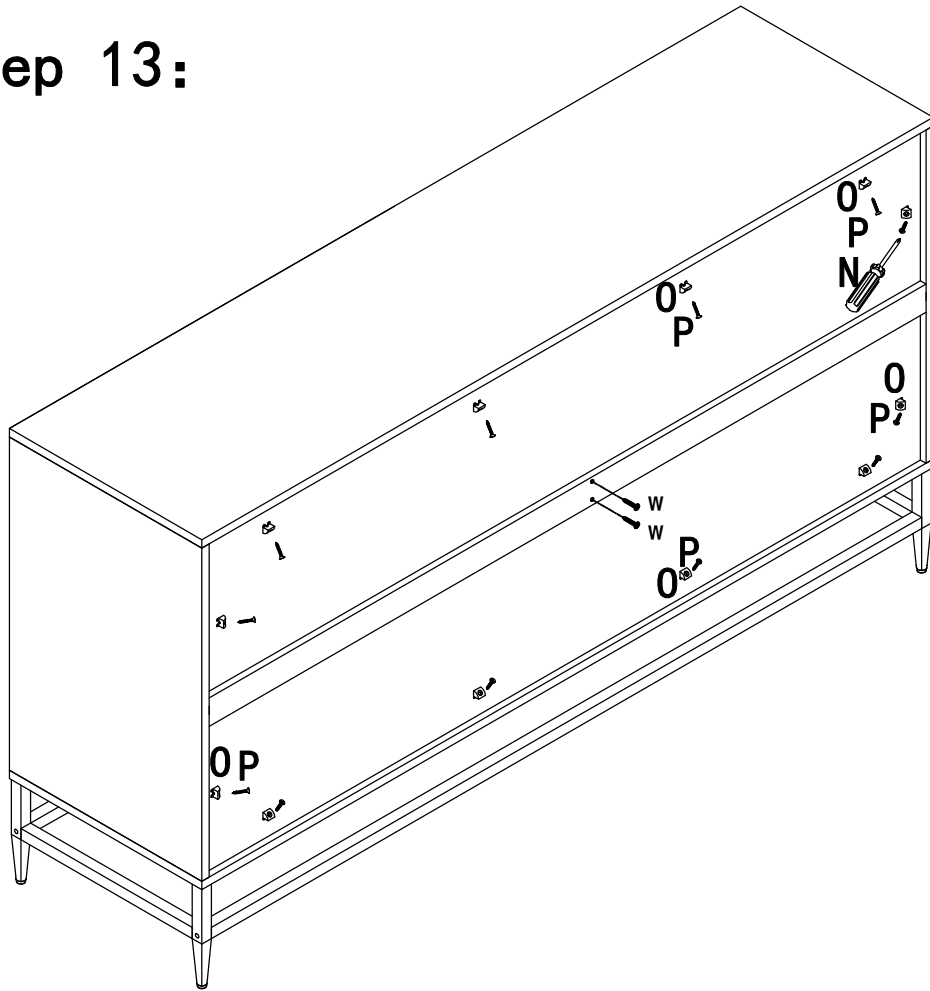


# Step 12:



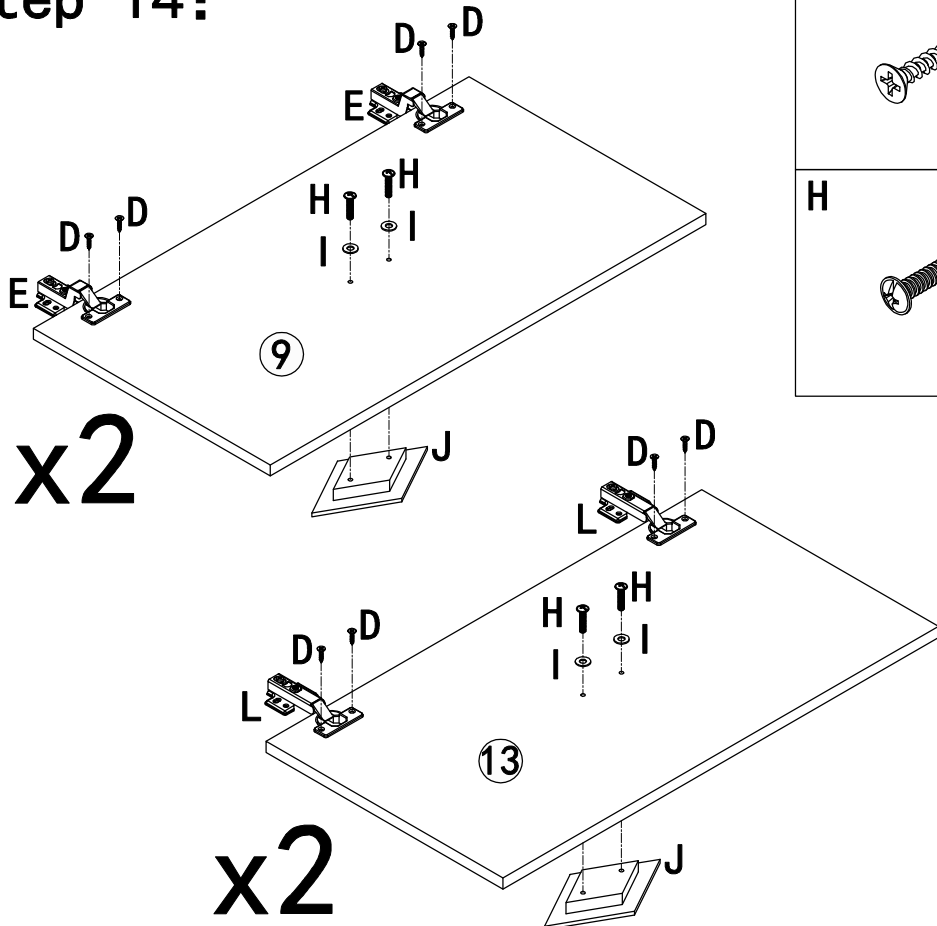


# Step 13:



W		2 pcs
O		12 pcs
P		12 pcs
K		1 pc

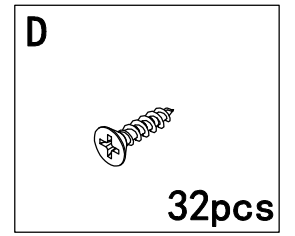
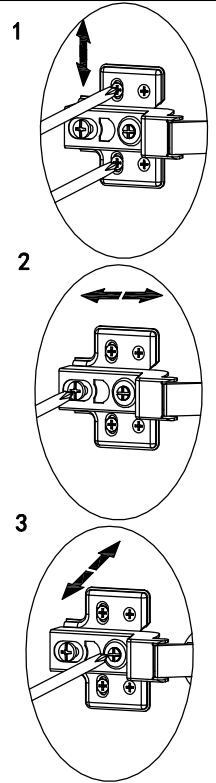
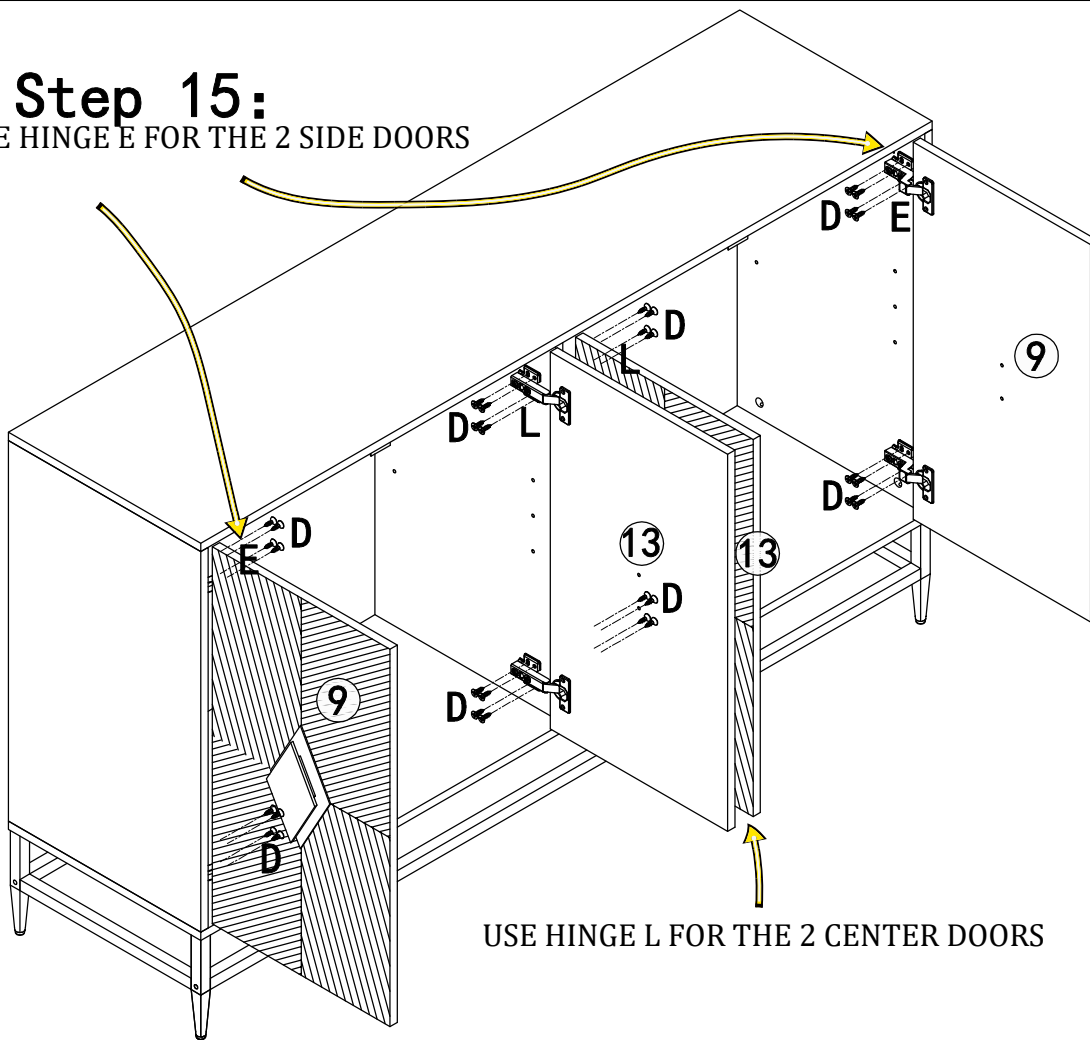
# Step 14:



D		16 pcs
E		4 pcs
H		8 pcs
I		8 pcs
J		4 pcs
L		4 pcs

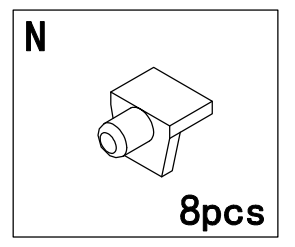
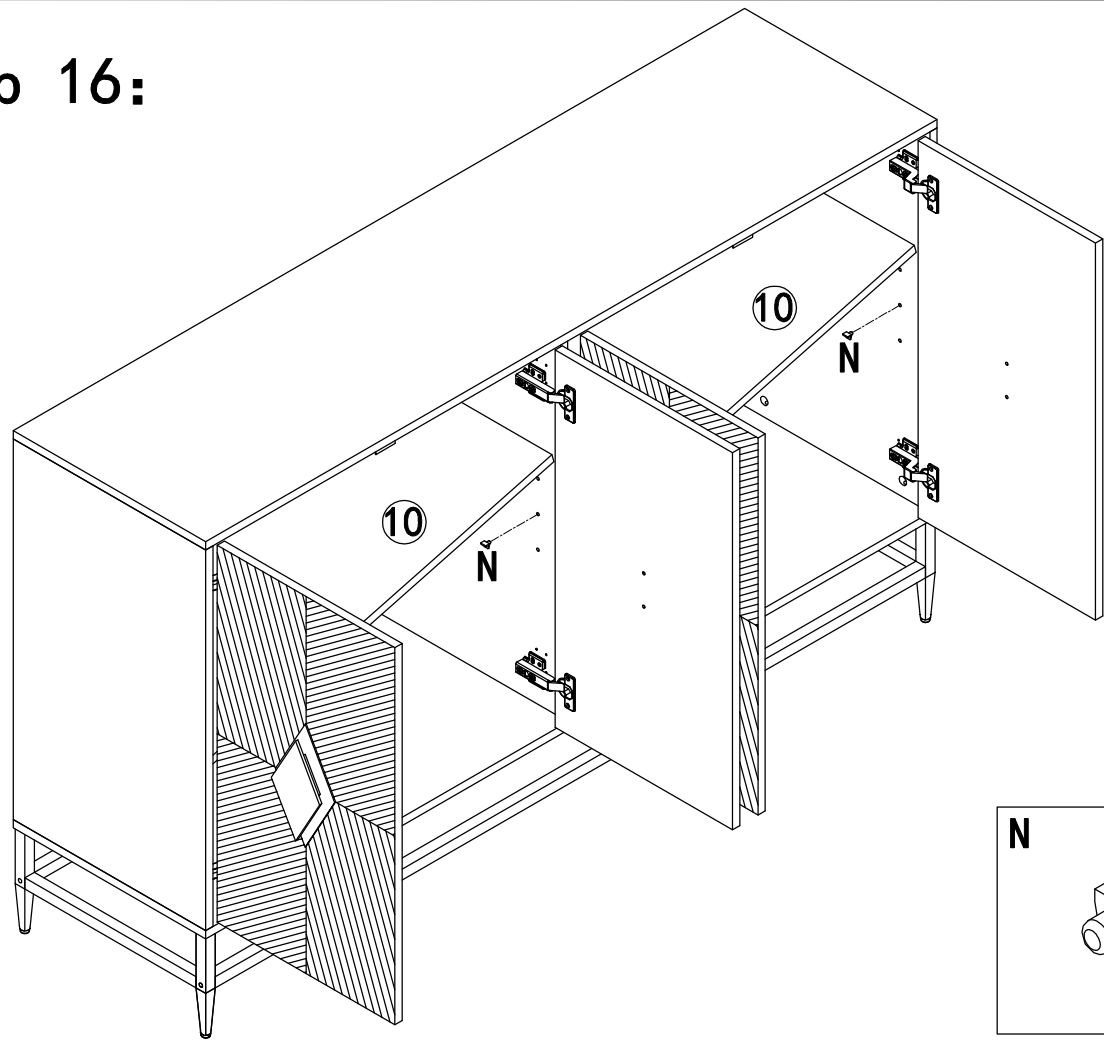
# Step 15:

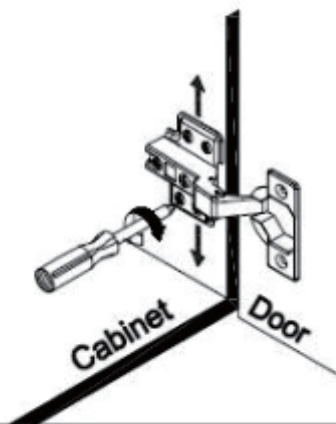
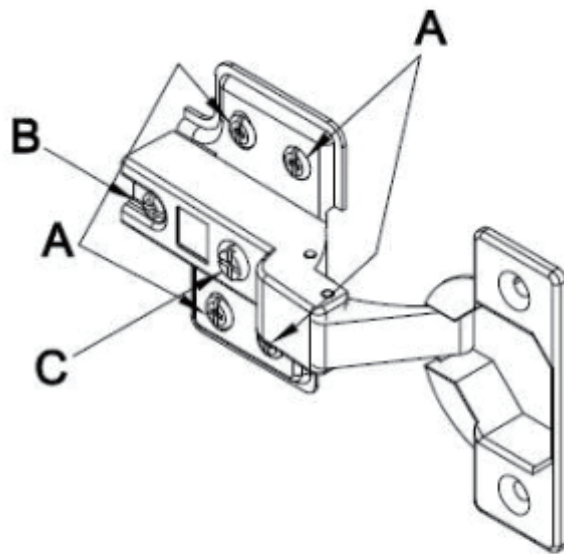
USE HINGE E FOR THE 2 SIDE DOORS



USE HINGE L FOR THE 2 CENTER DOORS

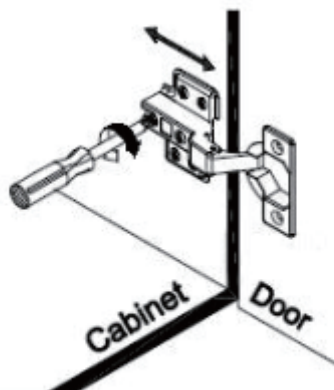
# Step 16:





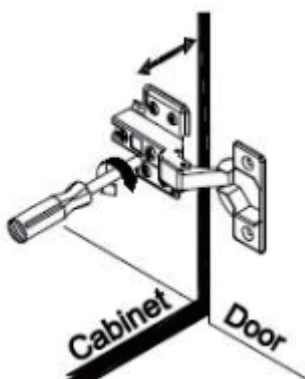
**To adjust the vertical height.**

Loosen the four screws "A" on both hinges. Two of them are usually in slotted holes which allows you to adjust up or down by a few mm. Then tighten back up.



**To adjust depth.**

Loosen screw "B" and adjust door, if the door can not be adjusted, please loosen screw "C", then try again. Tighten screw "B" and "C".



**To adjust side ways.**

Turning the screw "C" on BOTH hinges on each door.