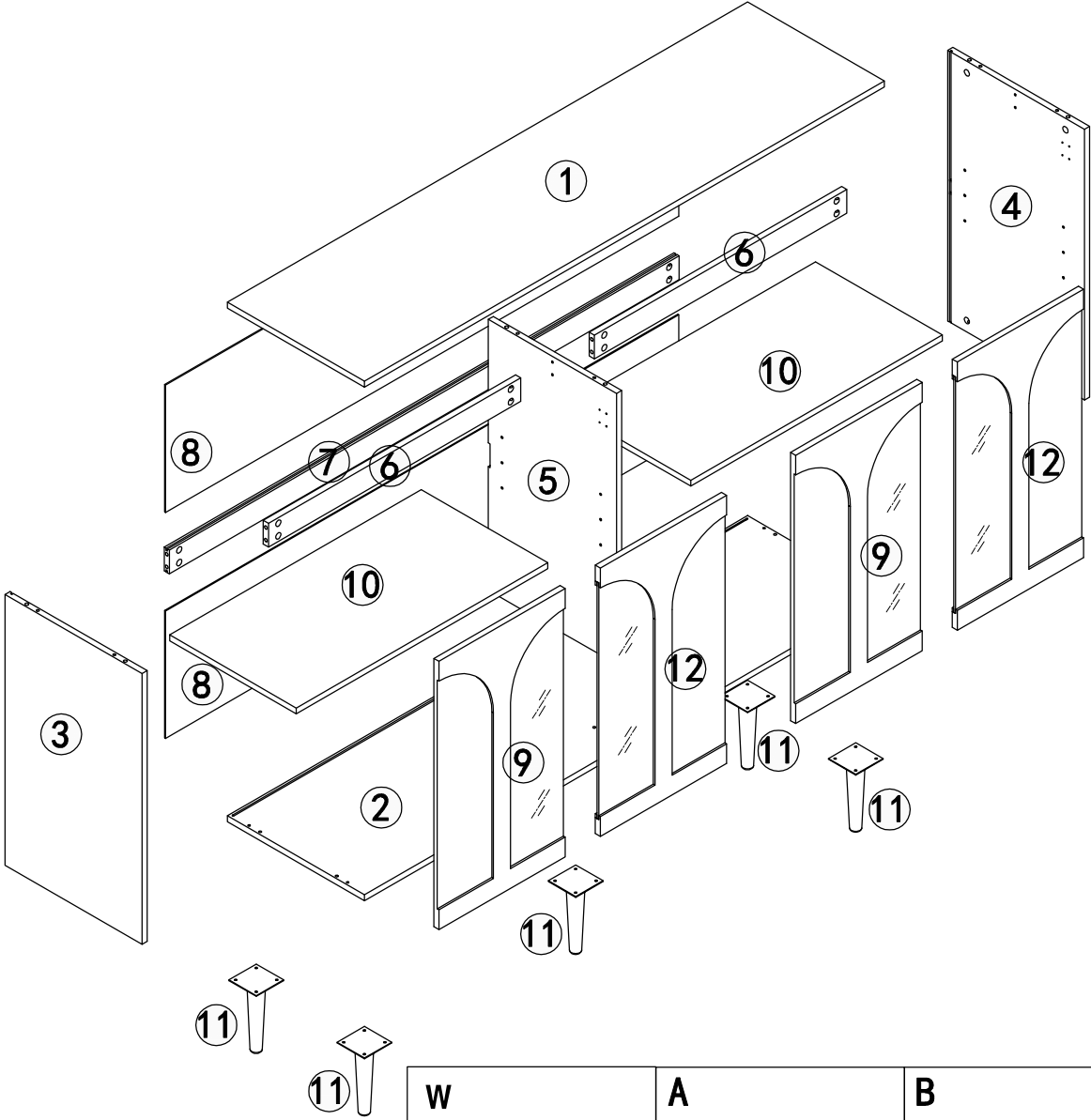
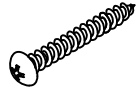


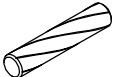
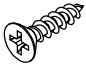
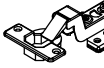

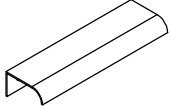
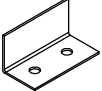
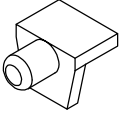
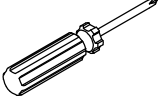

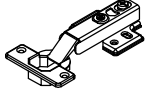
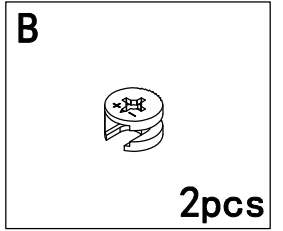
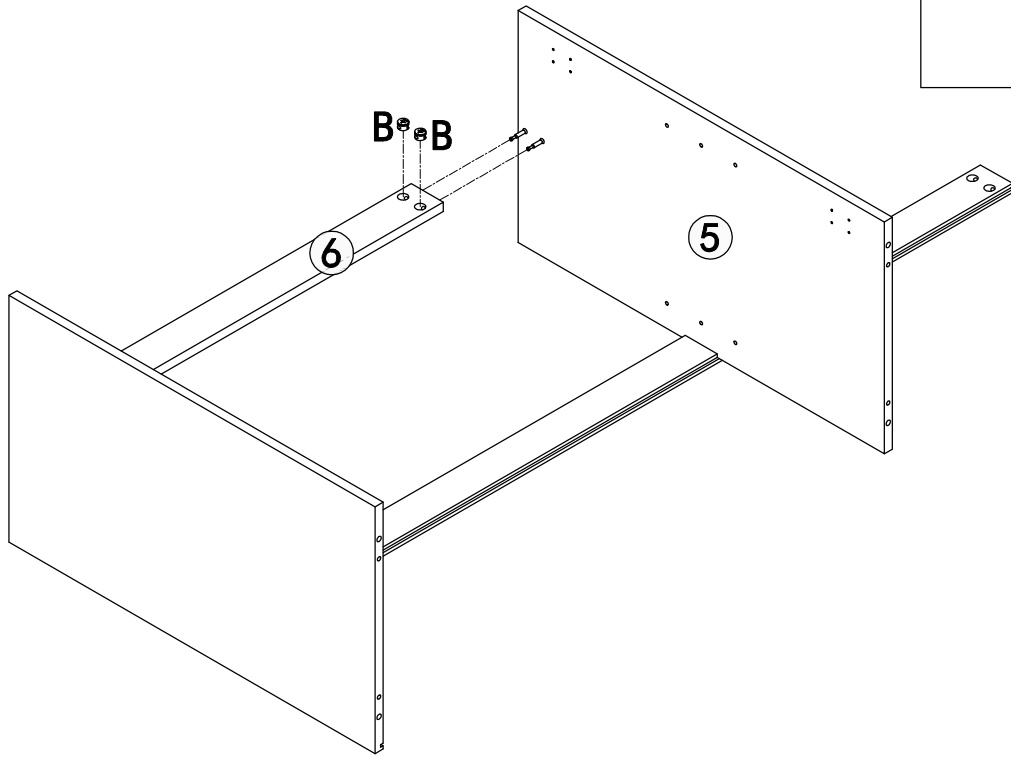


Parts List

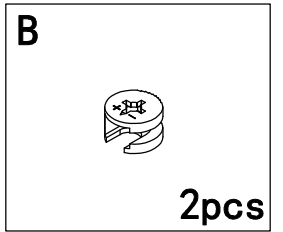
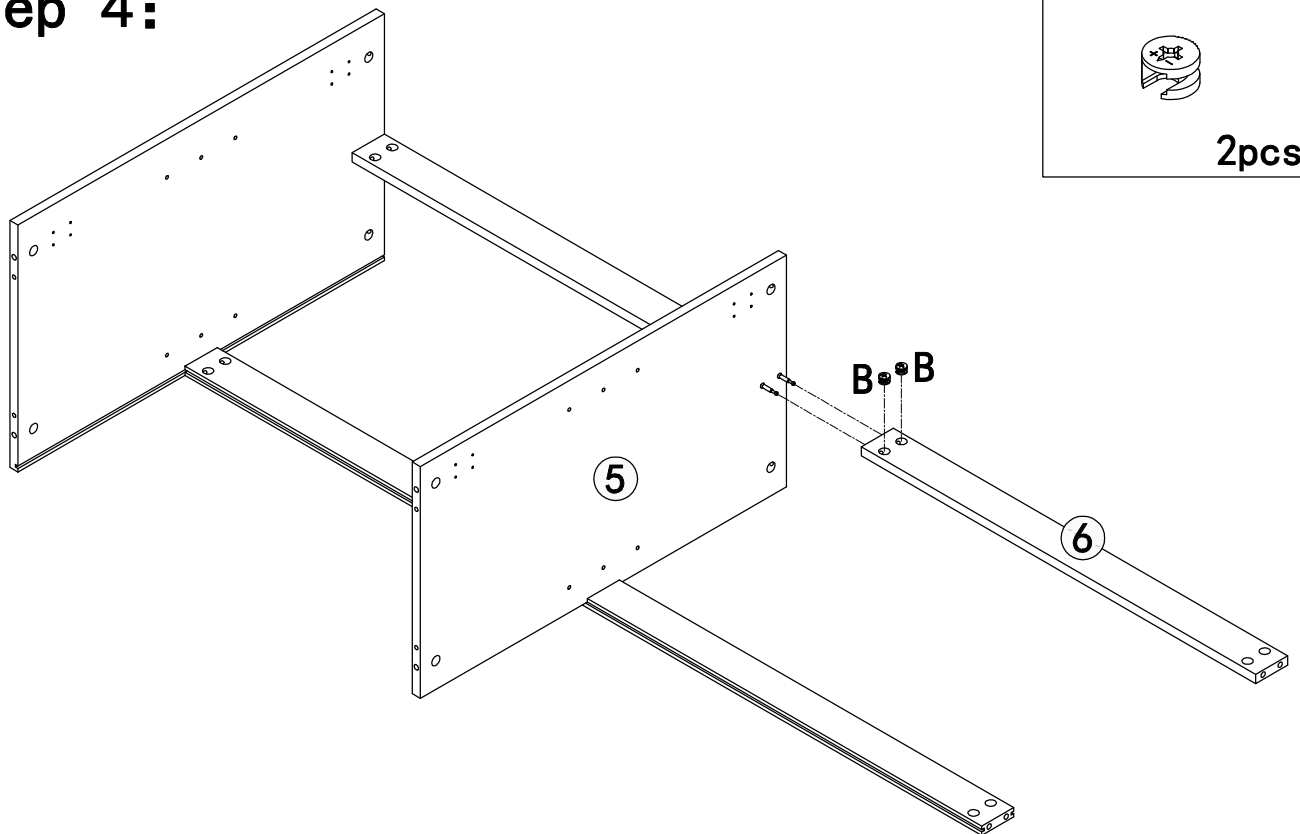


			W  2 pcs	A  24 pcs	B  24 pcs
C  12 pcs	D  80 pcs	E  4 pcs	F  12 pcs	G  4 pcs	
H  2 pcs	I  8 pcs	J  1 pc	K  12 pcs	L  4 pcs	

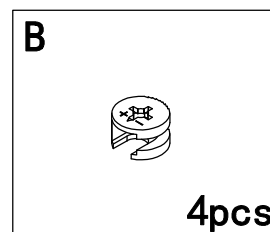
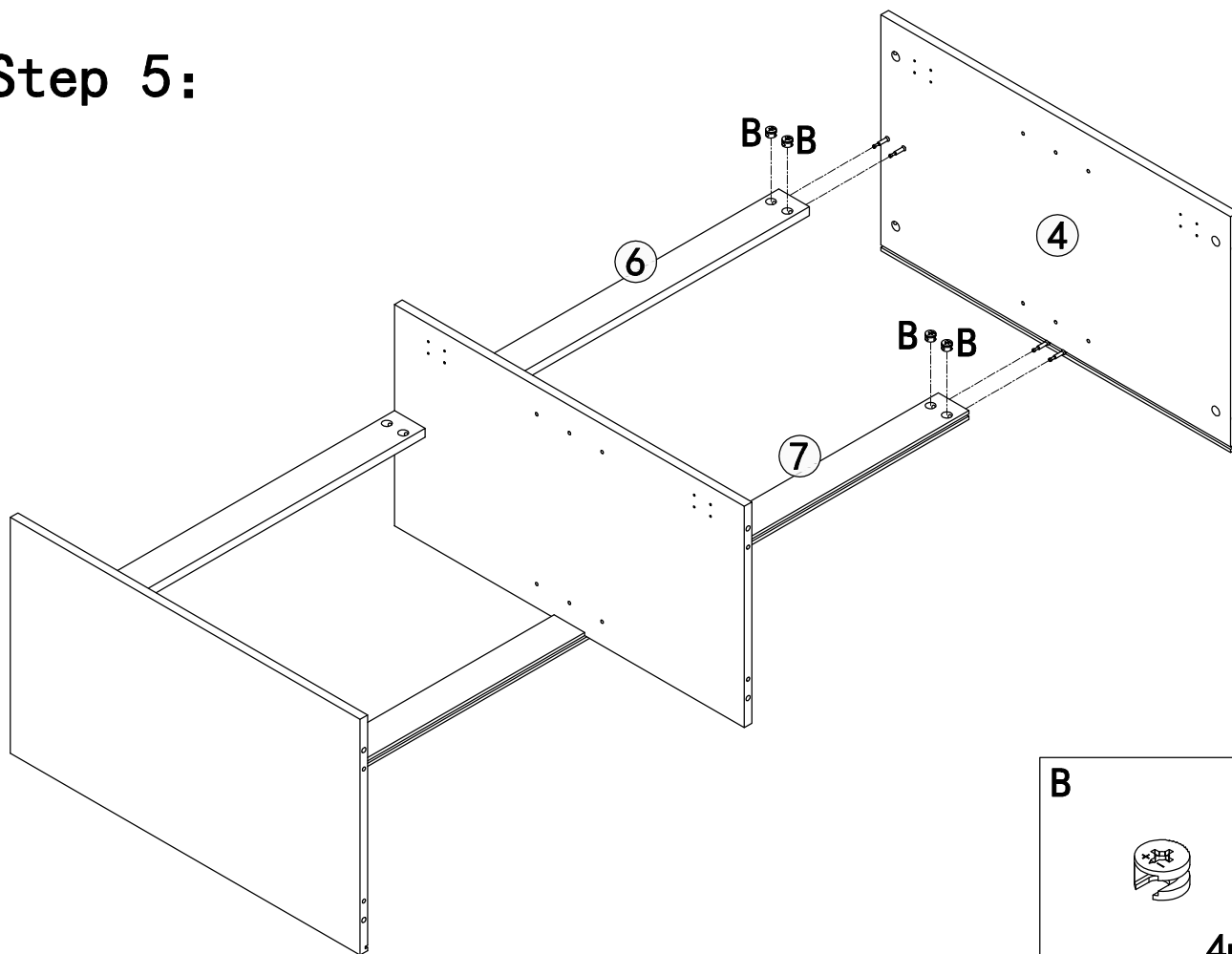
Step 3:



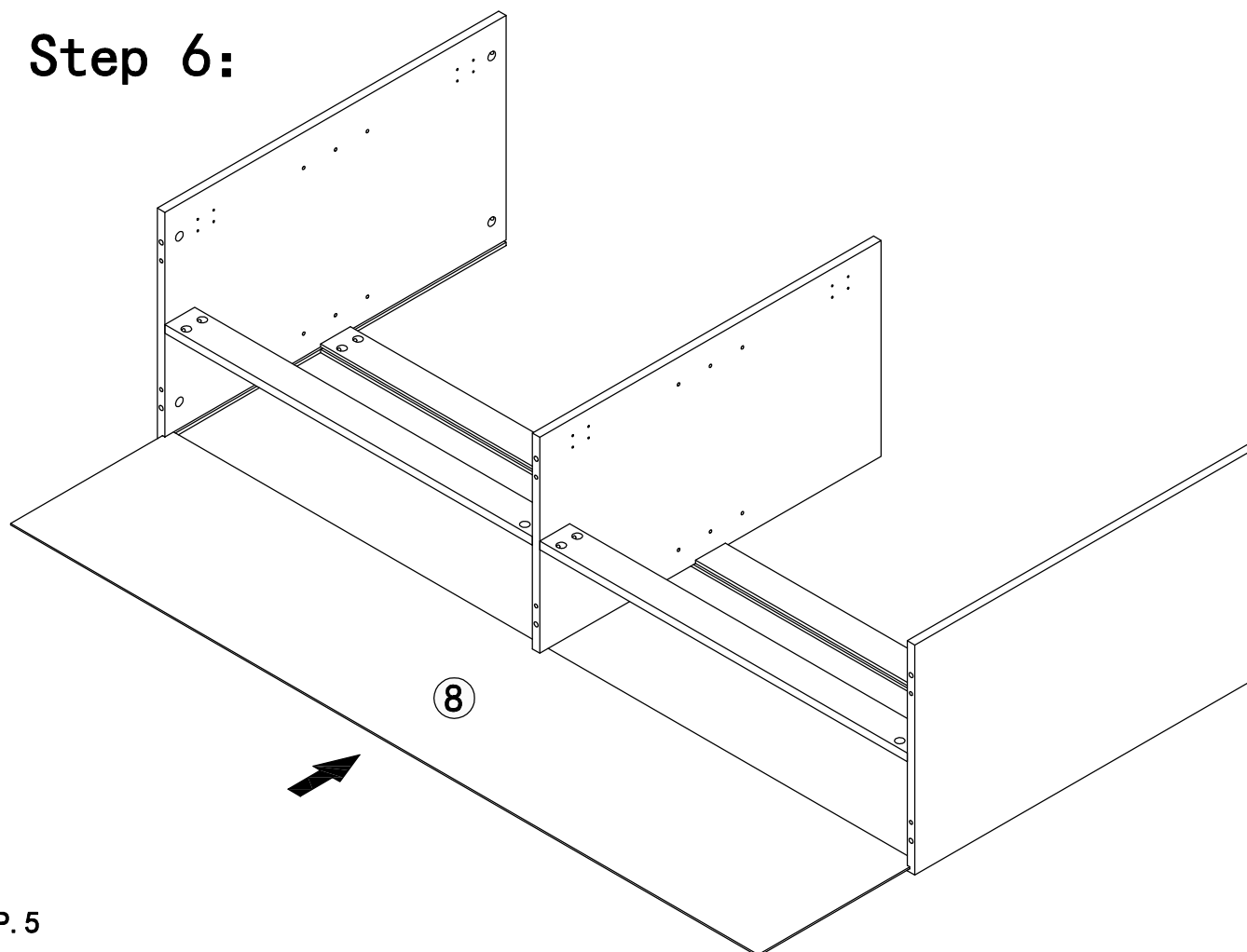
Step 4:



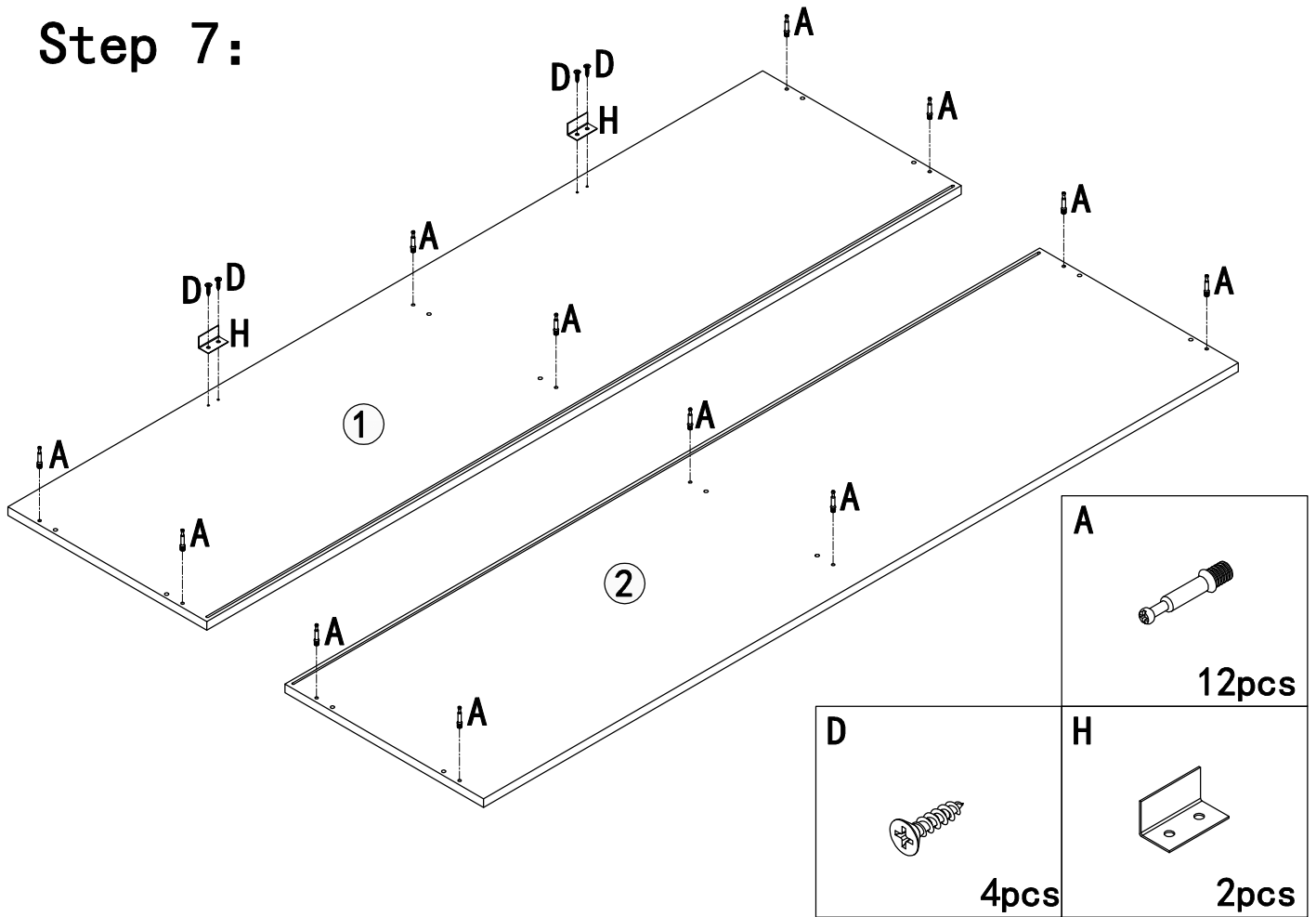
Step 5:



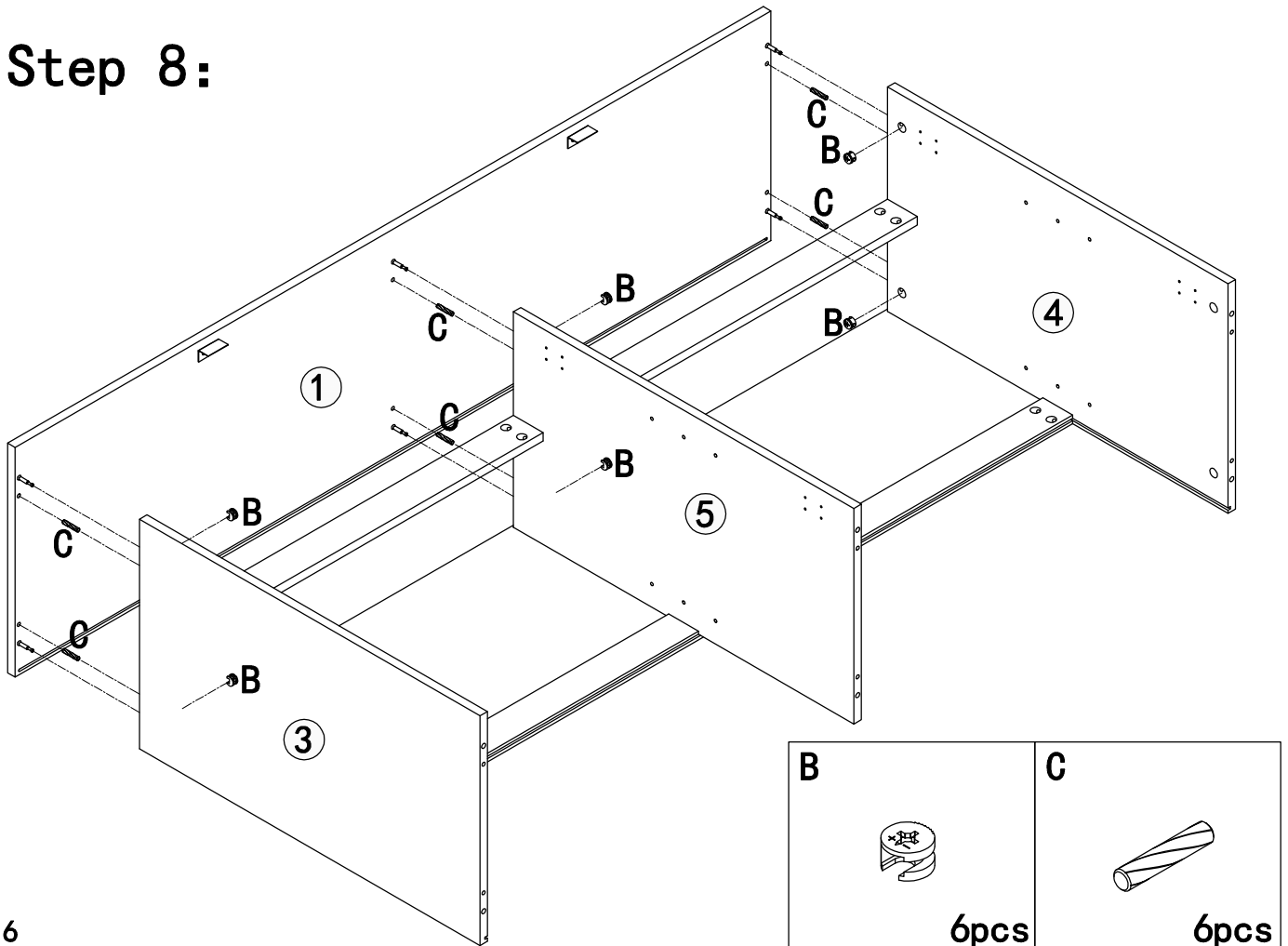
Step 6:



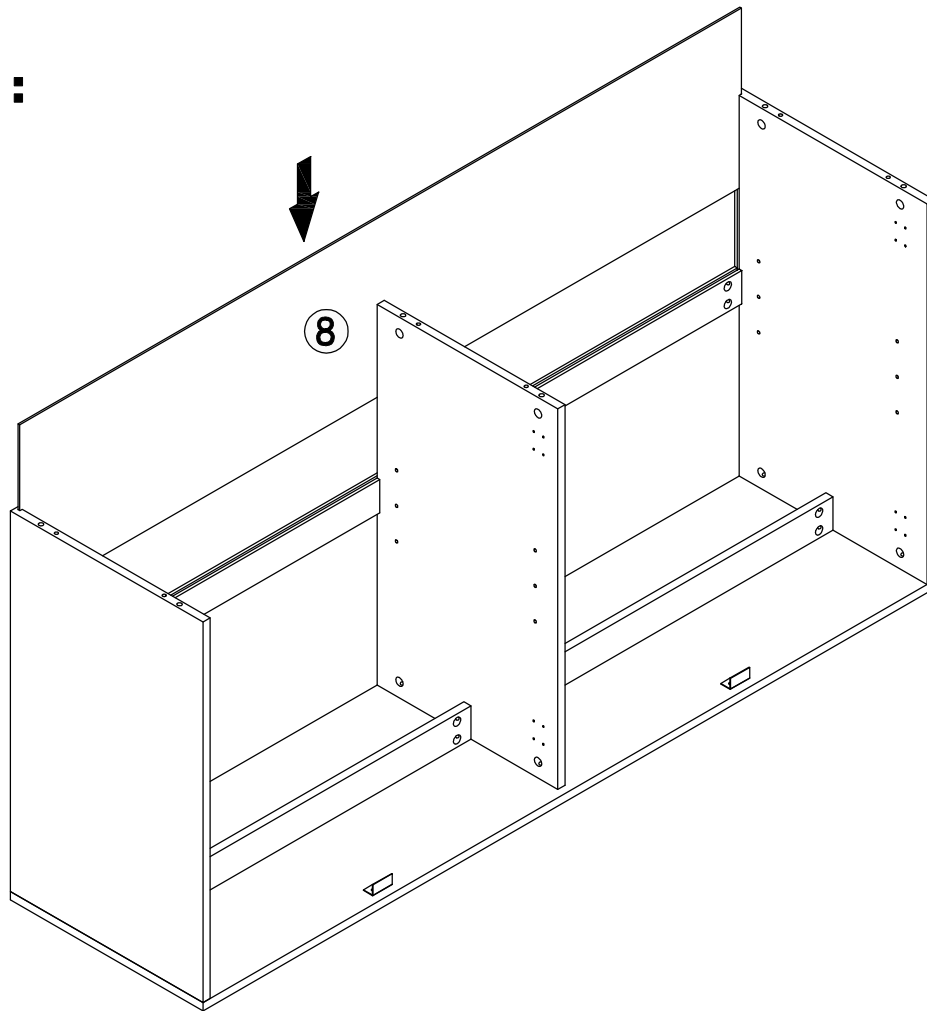
Step 7:



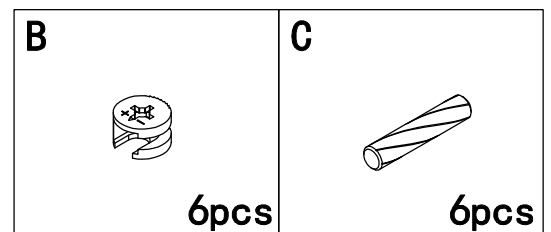
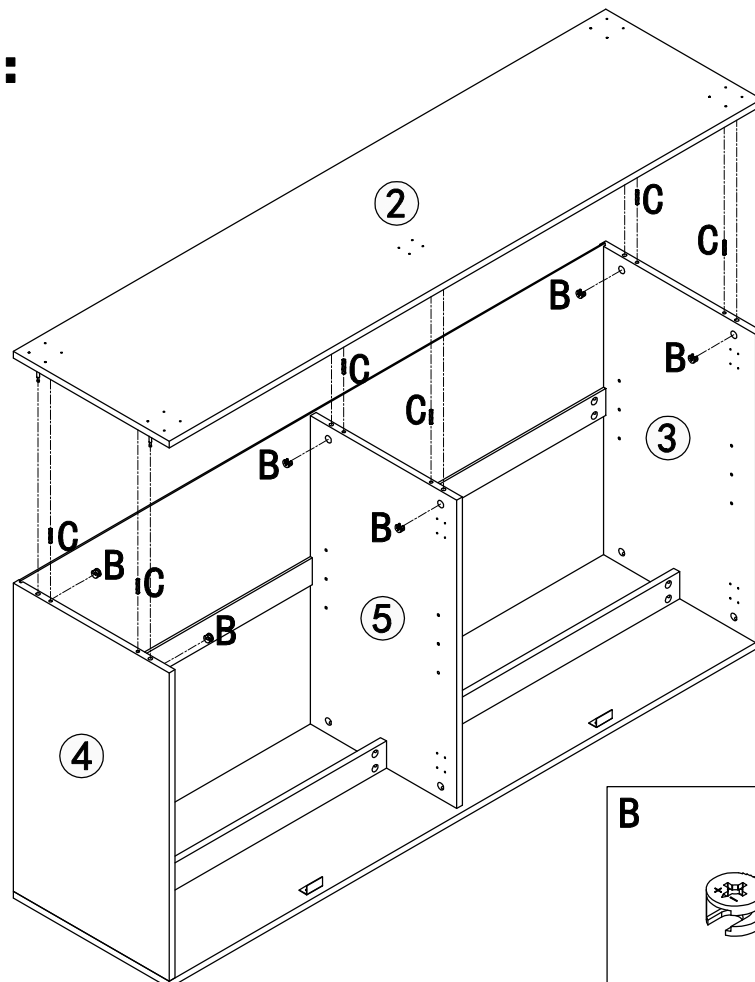
Step 8:



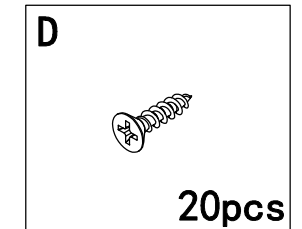
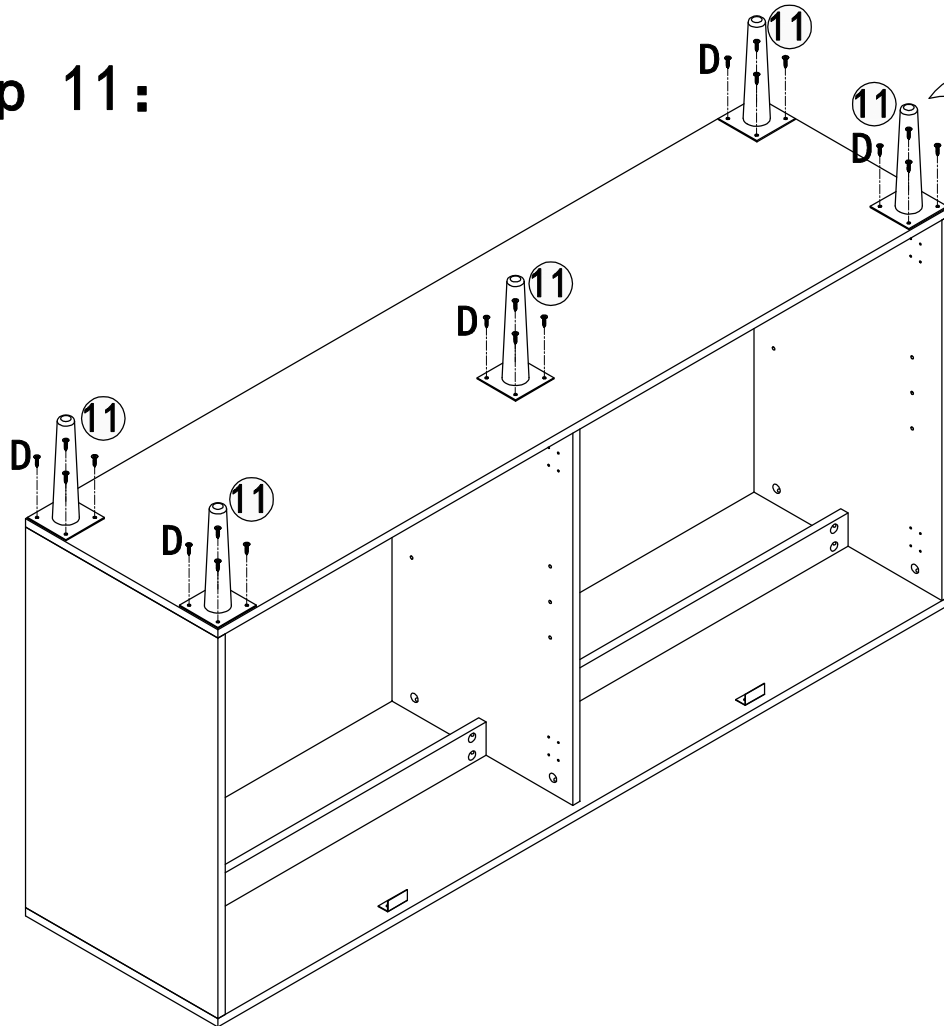
Step 9:



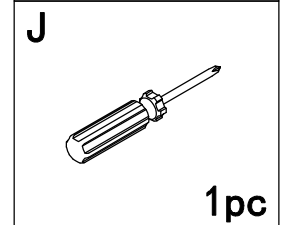
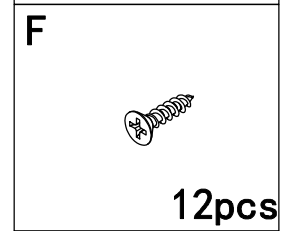
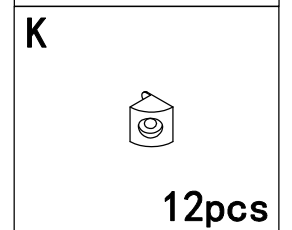
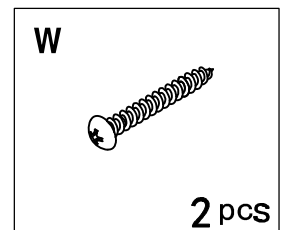
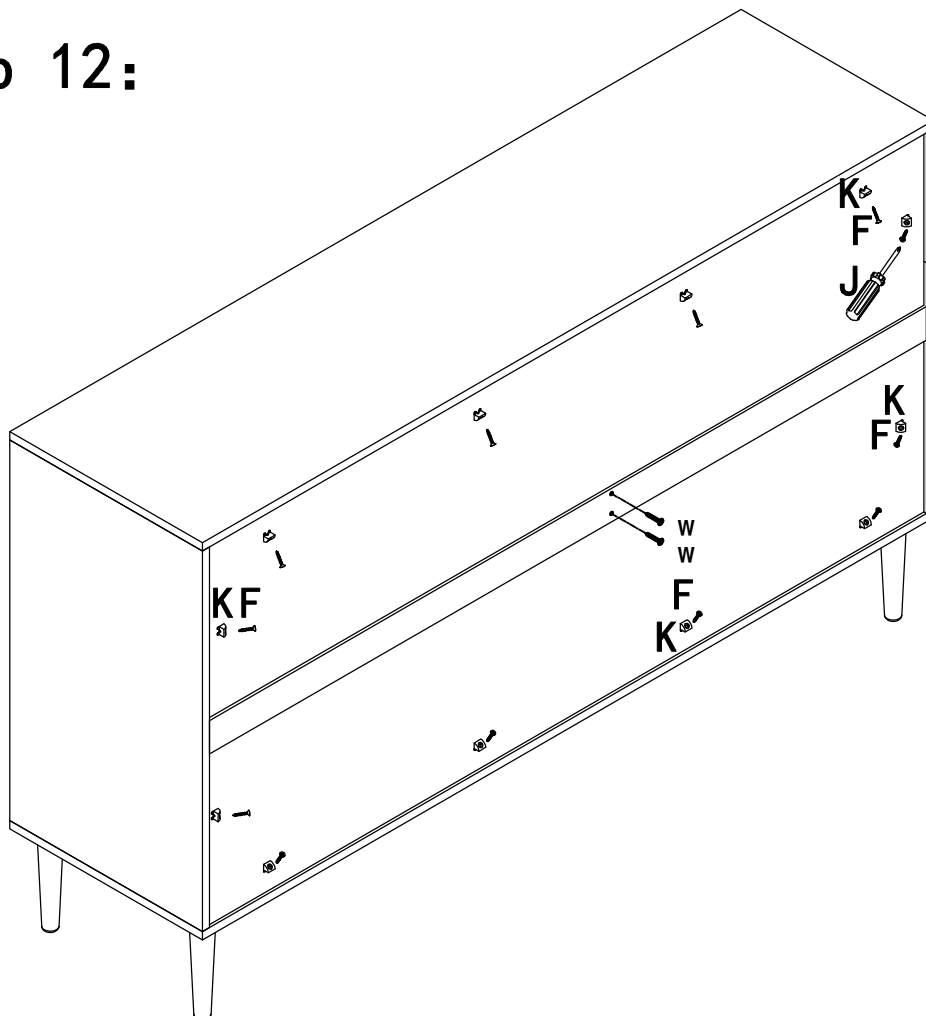
Step 10:



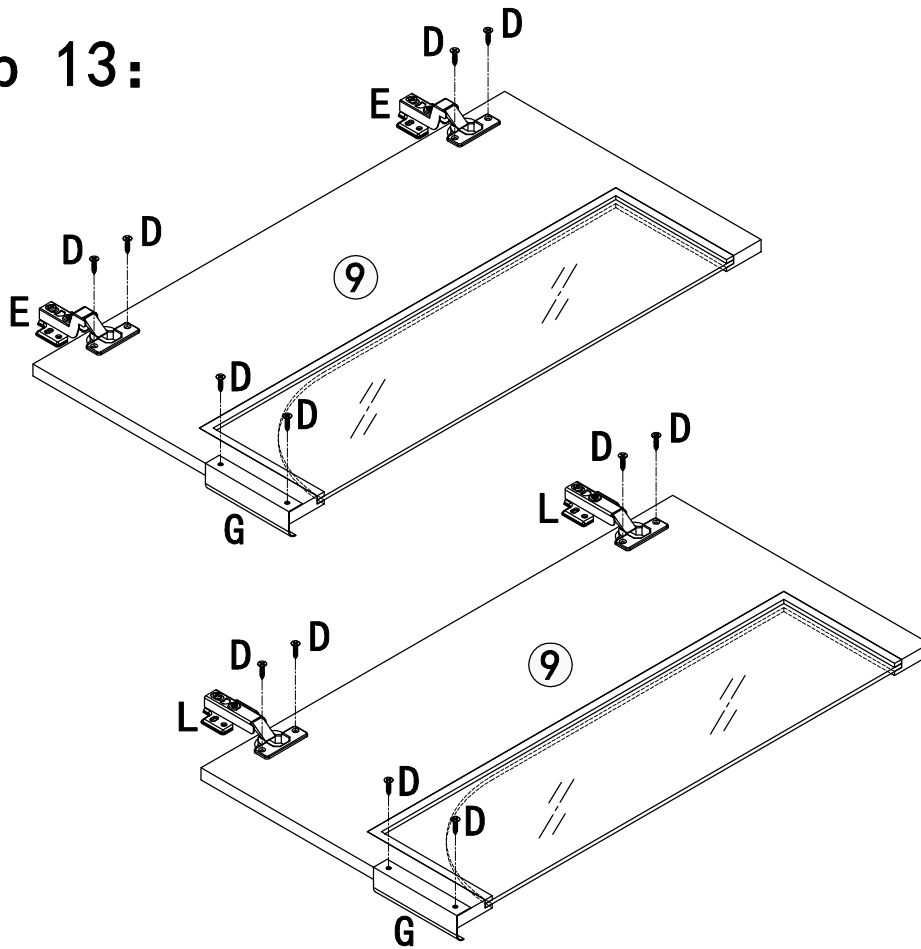
Step 11:

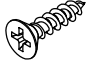

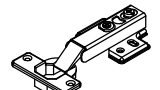
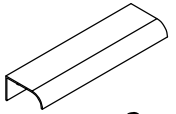


Step 12:

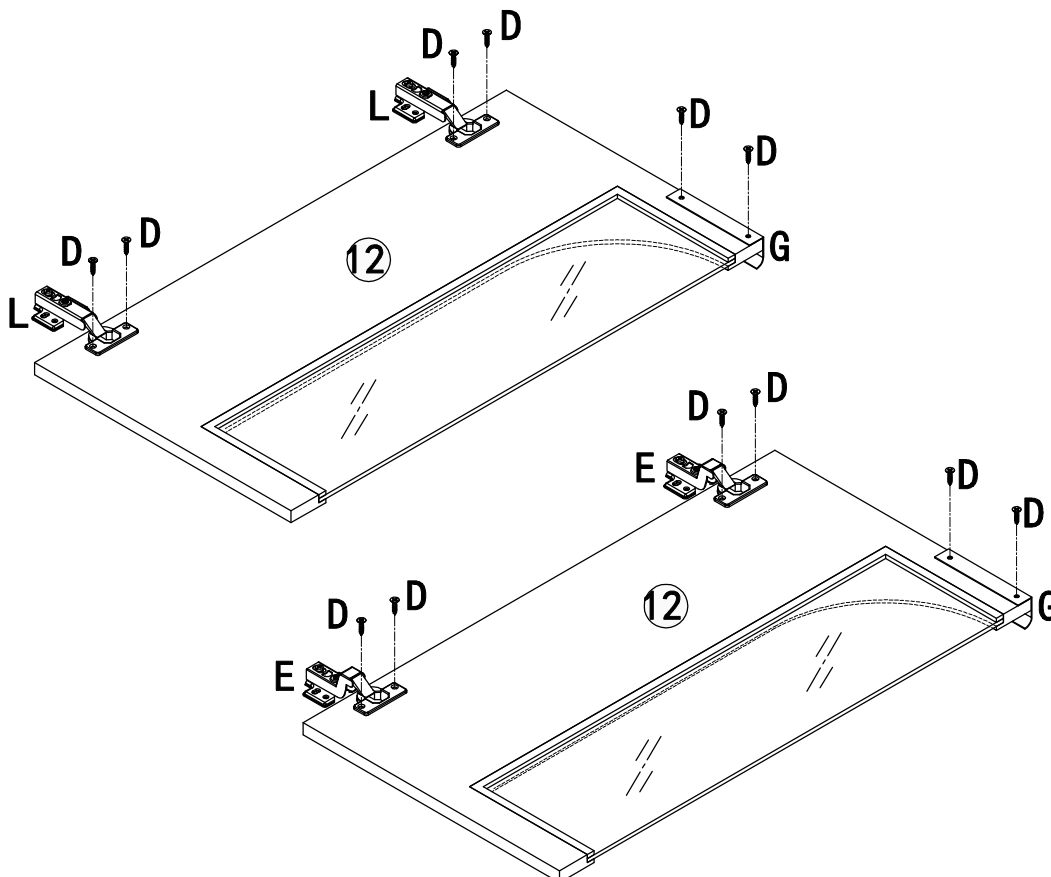


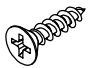

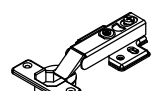
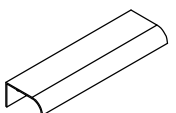
Step 13:



D		12pcs
E		2pcs
L		2pcs
G		2pcs

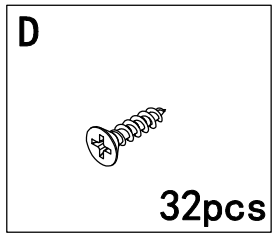
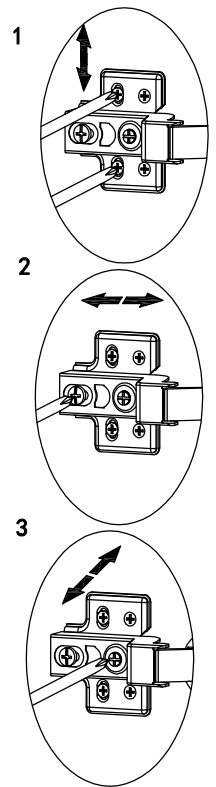
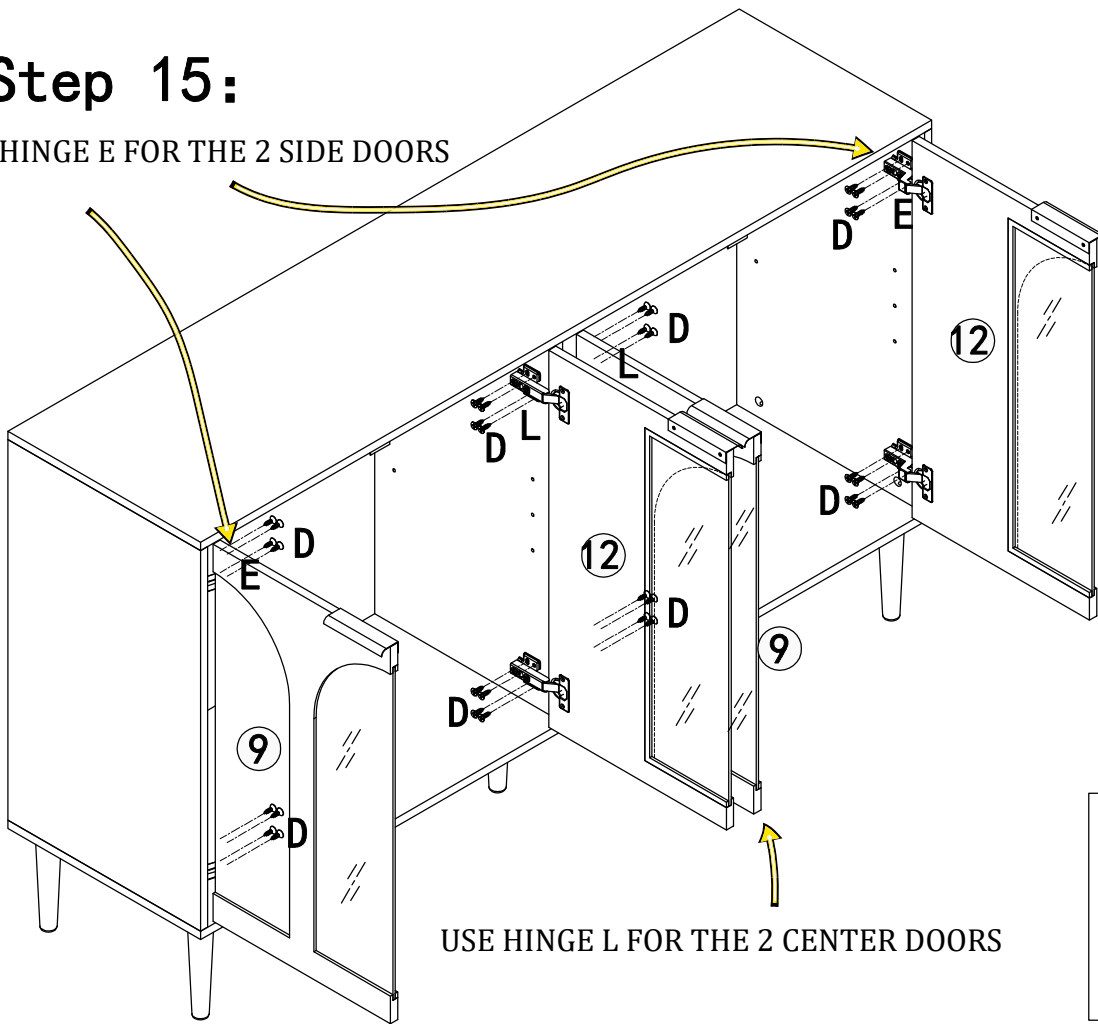
Step 14:



D		12pcs
E		2pcs
L		2pcs
G		2pcs

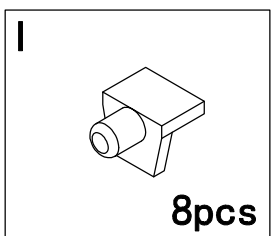
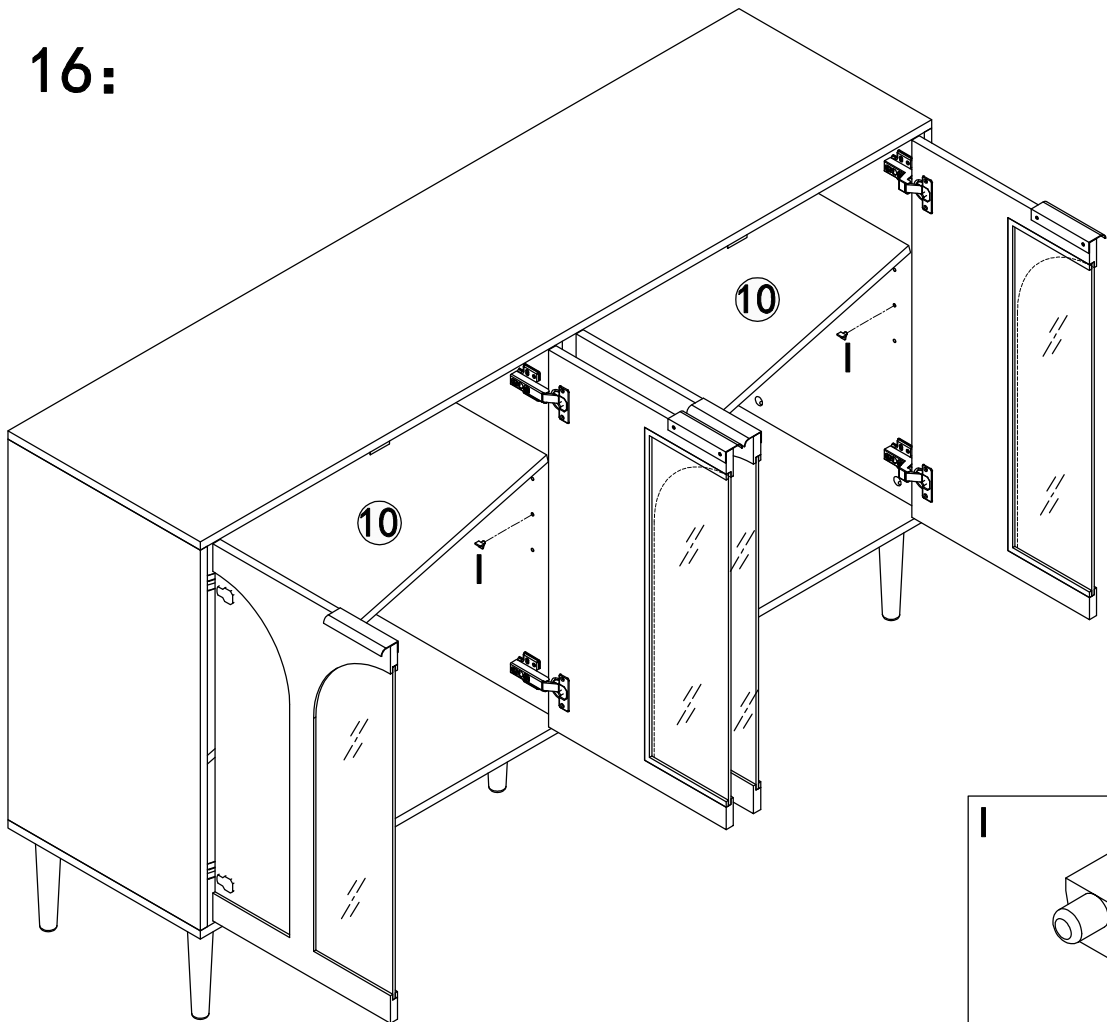
Step 15:

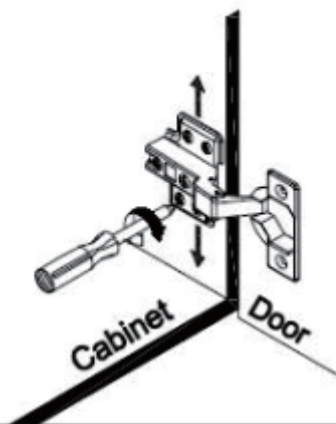
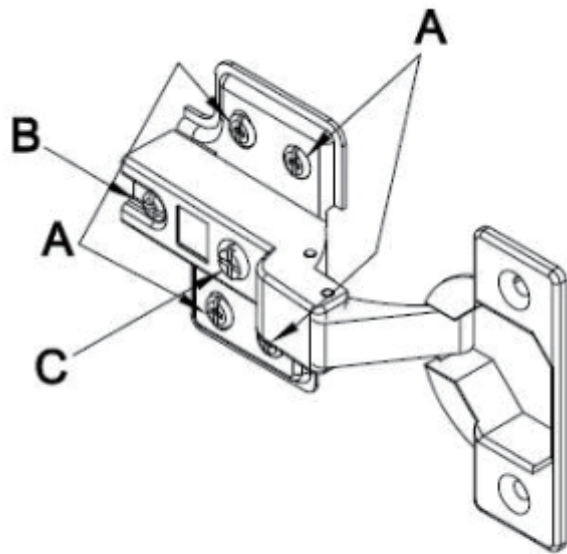
USE HINGE E FOR THE 2 SIDE DOORS



USE HINGE L FOR THE 2 CENTER DOORS

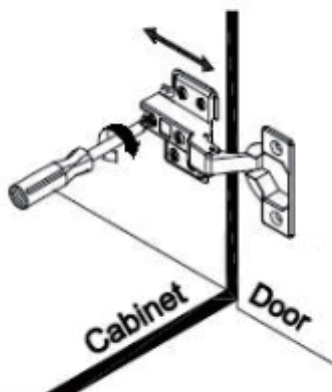
Step 16:





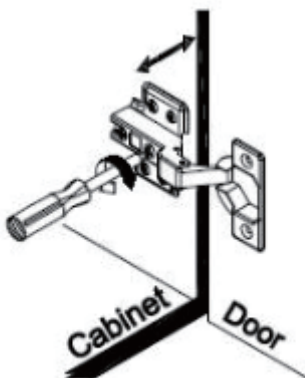
To adjust the vertical height.

Loosen the four screws "A" on both hinges. Two of them are usually in slotted holes which allows you to adjust up or down by a few mm. Then tighten back up.



To adjust depth.

Loosen screw "B" and adjust door, if the door can not be adjusted, please loosen screw "C", then try again. Tighten screw "B" and "C".



To adjust side ways.

Turning the screw "C" on BOTH hinges on each door.