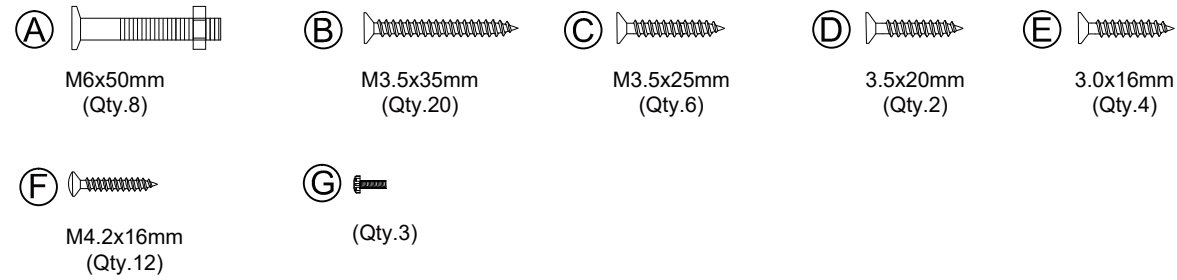
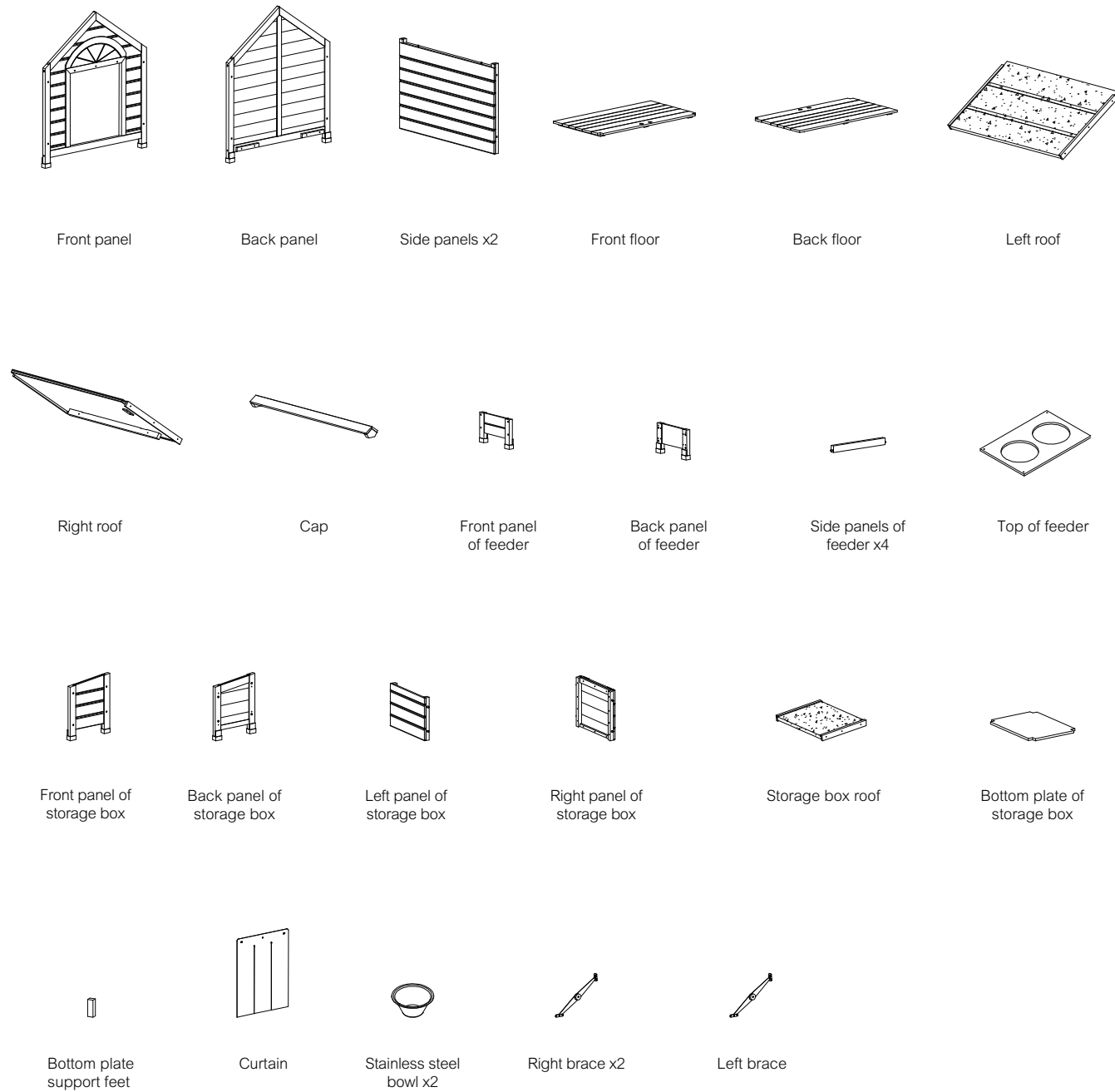


THESE BOXES CONTAIN THESE PARTS:

FASTENERS



WOOD PIECES

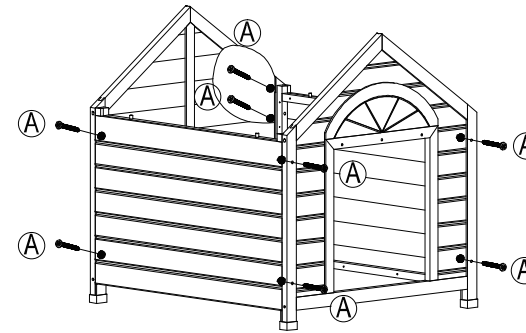


Item: DHW108602

Assembly Instructions

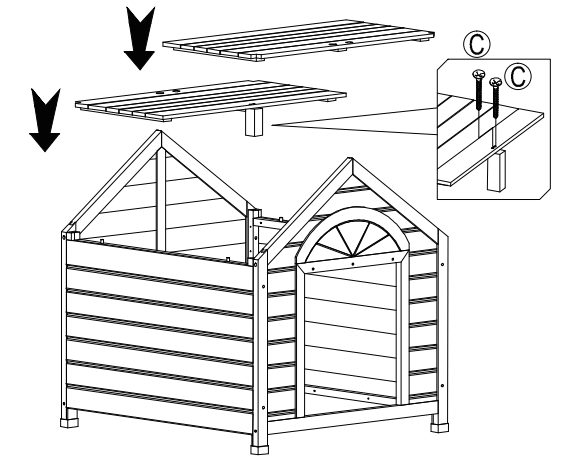
*Some parts of the product have preset dowel holes, pay attention to the dowel holes and then locking screws

1



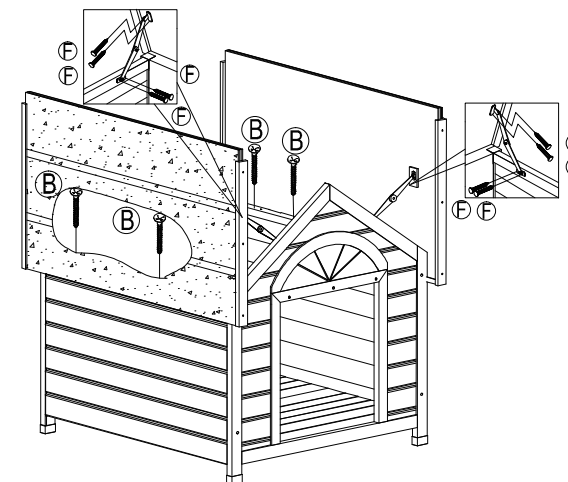
Assemble front panel,back panel and side panels.

2



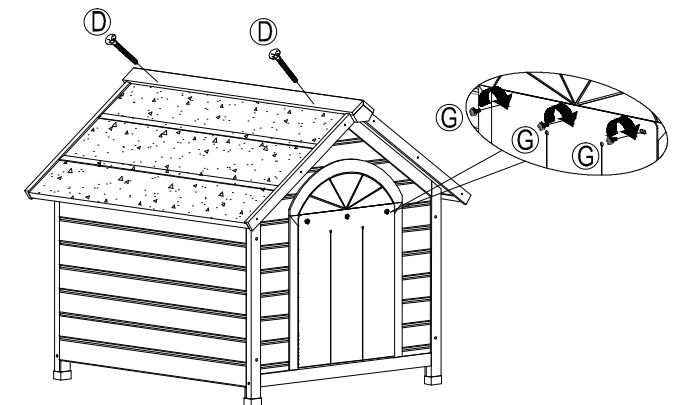
Assemble the bottom plate support foot first, and then put into the front and rear bottom plates.

3



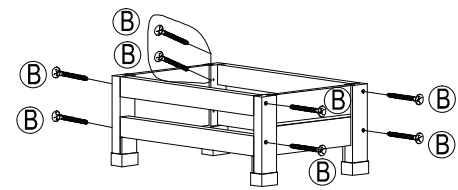
Assemble the roof and left and right braces.

4



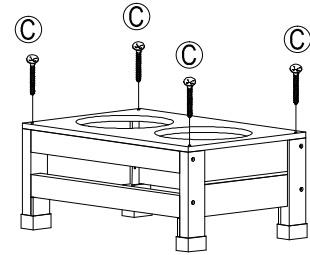
Assemble the cap and curtain.

5



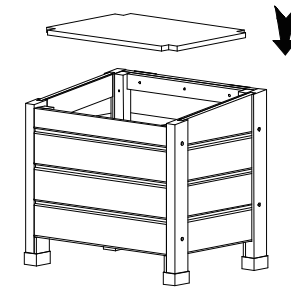
Assemble front panel of feeder, back panel of feeder and side panels of feeder*4.

6



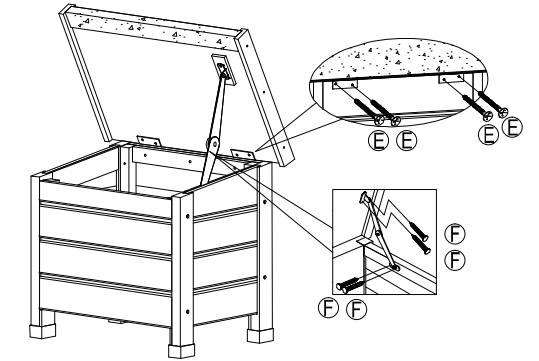
Assemble top of feeder.

9



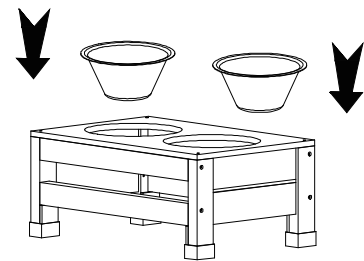
Put in the bottom plate of storage box.

10



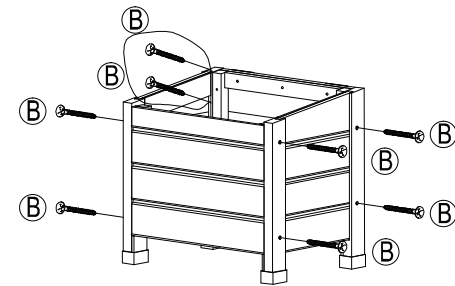
Assemble storage box roof and right brace.

7



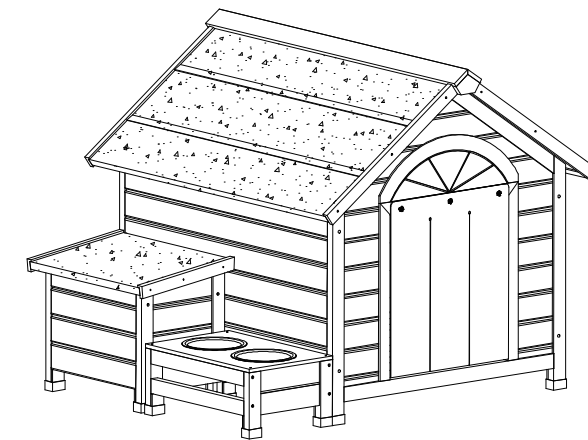
Put in stainless steel bowl.

8



Assemble front panel of storage box, back panel of storage box, left panel of storage box and right panel of storage box.

11



Finished.

TIPS: You can use storage box and feeder with the dog house together or individually.