

Item: DHWA00302

THESE BOXES CONTAIN THESE PARTS:

FASTENERS



M6.0x560mm
(Qty.8)



M3.5x25mm
(Qty.15)

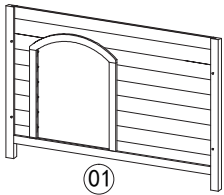


M4.2x16mm
(Qty.8)

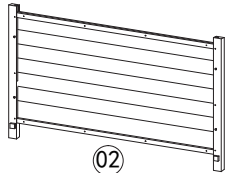


M3.5x50mm
(Qty.10)

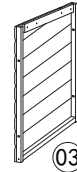
WOOD PIECES



01
Front panel



02
Back panel



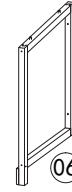
03
Left panel



04
Right panel



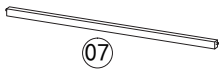
05
Balcony left panel



06
Balcony right panel



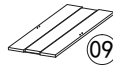
Footstand x6



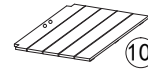
07
Center stretcher



08
Left bottom plate



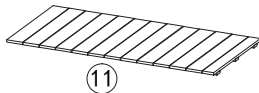
09
Middle bottom board



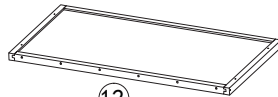
10
Right bottom plate



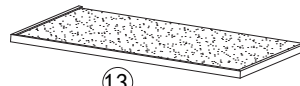
Brace x2
(L&R)



11
Balcony bottom board



12
Front roof



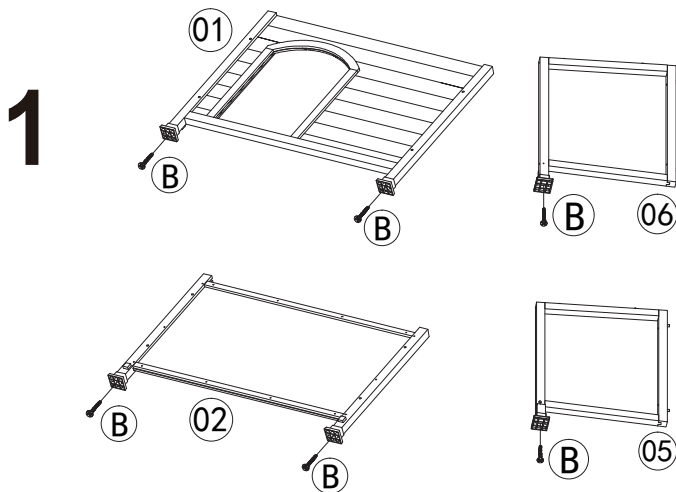
13
Back roof



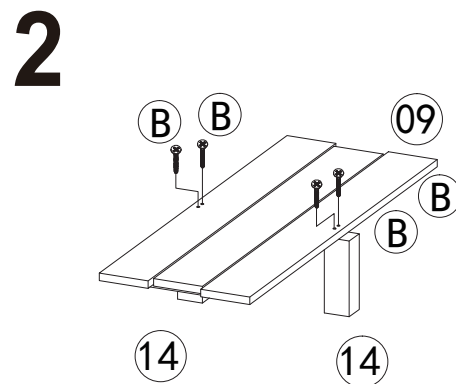
14
Support leg x2

Assembly Instructions

* Some parts of the product have preset dowel holes, pay attention to the dowel holes and then locking screws

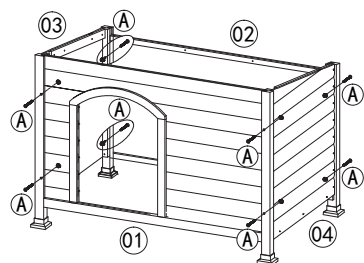


1
Install the footstand on the left and right panel, and left and right panel of the balcony.



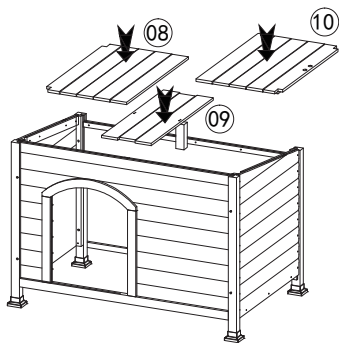
2
Assemble middle bottom board support legs.

3



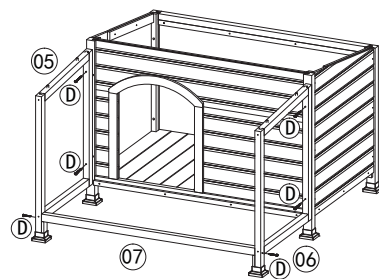
Assemble front panel, back panel, left panel and right panel to be a whole.

4



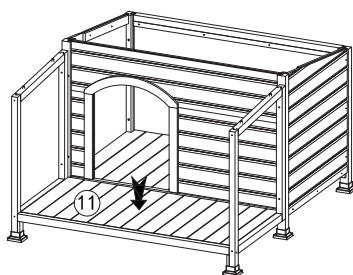
Place the middle bottom board and the left and right bottom plate.

5



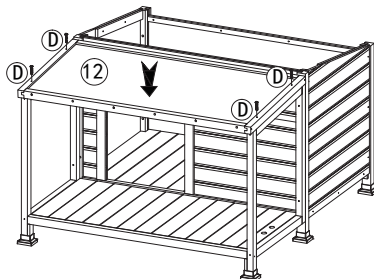
Assemble balcony left panel, balcony right balcony panel, and center stretcher.

6



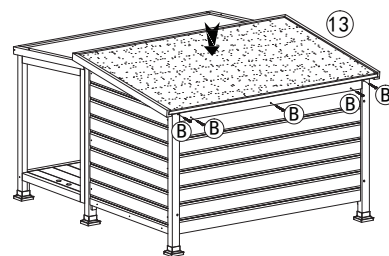
Place the balcony bottom board.

7



Assemble the front roof.

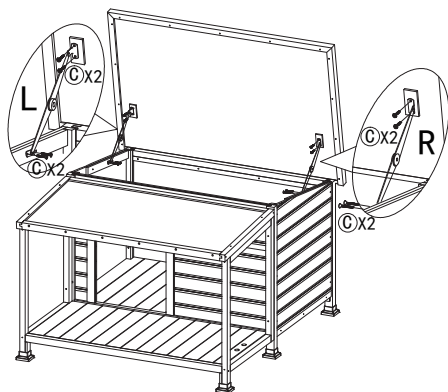
8



Assemble the back roof.

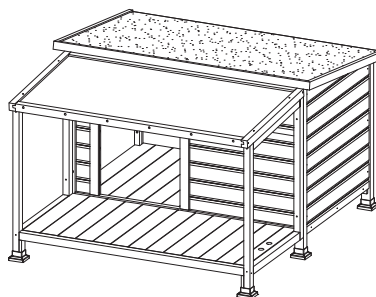
9

Notice the L and R marks on the brace



Assemble left and right brace.

10



TIPS: You can use storage box and feeder with the dog house together or individually.

Finished.