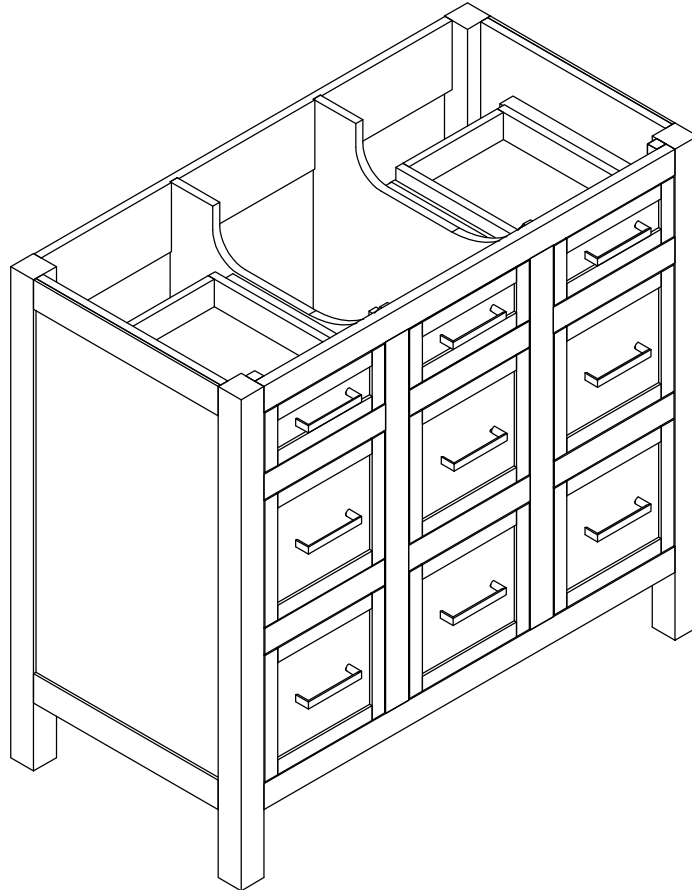


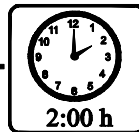
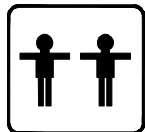
ASSEMBLY INSTRUCTIONS

36 INCH BATH VANITY-CABINET

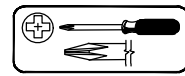


Thank you for purchasing this quality product. Be sure to check all packing material carefully for small parts which may have come loose inside the carton during shipment. Separate, identify and count all parts and hardware. Compare with the parts list to be sure all parts are present.
"DO NOT TIGHTEN SCREWS UNTIL COMPLETELY ASSEMBLED"

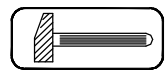
*** Use of power tool to assemble this product will invalidate any claim and damage this product making unsafe !!!**
*** Please assemble on a clean soft surface to avoid damage.**



Tools Required



(Not included)



(Not included)

IMPORTANT:

PLEASE READ INSTRUCTION BEFORE STARTING THE ASSEMBLY

Before Installation

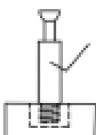

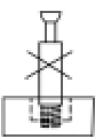
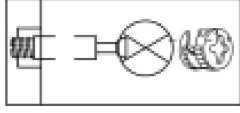
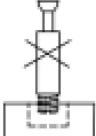
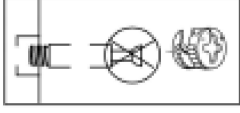
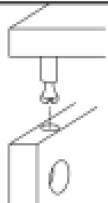
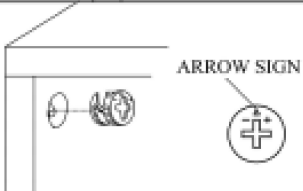
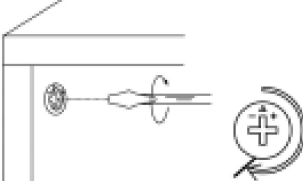
Important - Please read these instructions fully before starting assembly

Thank you for purchasing this quality product. Be sure to check all packing materials carefully for small parts, which may have come loose inside the carton during shipment. Identify and count all items according to the PARTS LIST and/or HARDWARE LIST shown below. Check you have all the components and tools listed on the following pages.

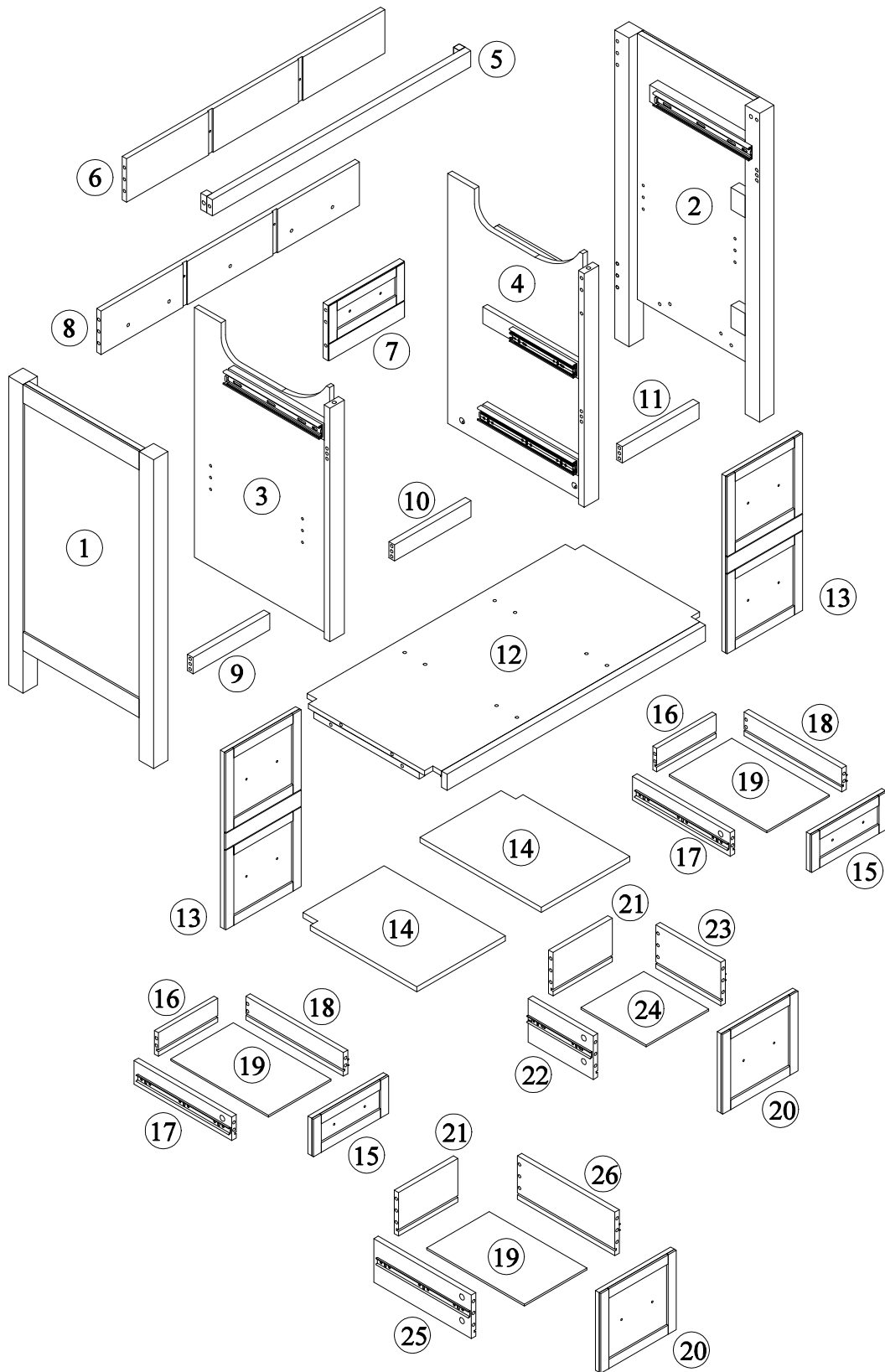
- . We recommend that you assemble this product with the assistance of another person; this will make the assembly easier, and will help eliminate damage to the product or injury to persons during assembly.
- . Please do not over tighten screws or bolts until the assembly is completed.
- . Keep children and animal away from the work area, small parts could choke if swallowed.
- . Please put all parts on a non-abrasive floor before assembly, and follow the assembly steps to assemble your newly purchased product correctly and efficiently.

If you find that you have any trouble with assembly or missing or damaged parts please contact the seller.

Cam Lock Assembly Instructions

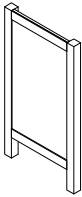
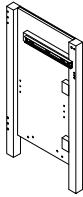
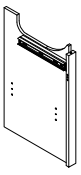
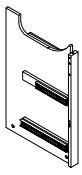
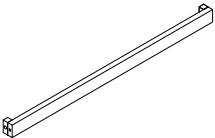
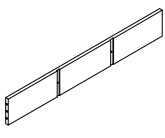
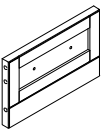
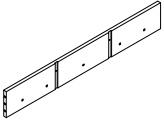
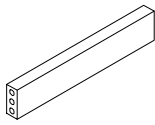
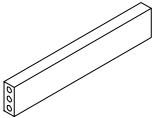
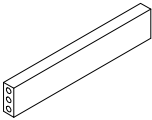
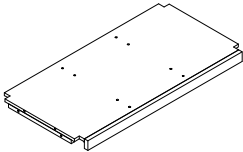
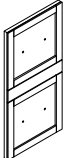
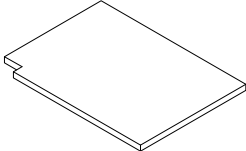
		Diagram A Insert Cam Bolt into hole as shown in diagram A.
		Diagram B Make sure not to insert the Cam Bolt too deep as shown in figure B as this will cause the Cam Lock to be misaligned and unable to interlock properly.
		Diagram C Also avoid inserting the Cam Bolt too close to the surface of the hole as shown in figure C, as this will cause the Cam Lock to be too loose, and not interlock properly.
		Connect the panels together.
		ARROW SIGN Insert the Cam Lock so the side opening fits over the head of the Cam Bolt.
		To tighten the Cam Lock, turn it clockwise on half a turn with a flat screwdriver. <i>*Do not use an automatic screwdriver as it may bend or break if too much power is imposed.</i>

Detail View - CABINET

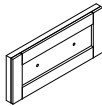
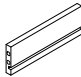
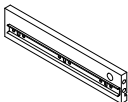
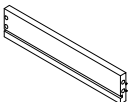
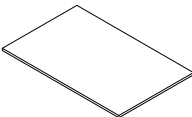
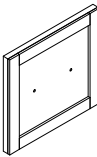
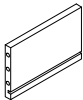
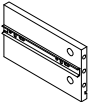
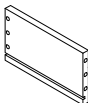
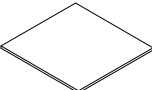
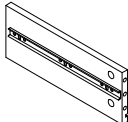
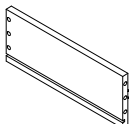


Identifying the Hardware-Identify the hardware using the illustrations below.



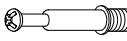


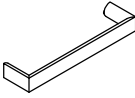

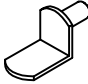
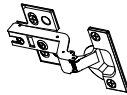
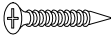




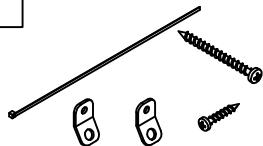
Part List - WF315814

<p>1</p>  <p>Side Panel (L) - 1pc</p>	<p>2</p>  <p>Side Panel (R) - 1pc</p>
<p>3</p>  <p>Panel Mid (L) - 1pc</p>	<p>4</p>  <p>Panel Mid (R) - 1pc</p>
<p>5</p>  <p>Top Crossbar Front - 1pc</p>	<p>6</p>  <p>Top Panel Rear - 1pc</p>
<p>7</p>  <p>Face Drawer - 1pc</p>	<p>8</p>  <p>Bottom Panel Rear - 1pc</p>
<p>9</p>  <p>Mid Cross Bar (A)- 1pc</p>	<p>10</p>  <p>Mid Cross Bar (B)- 1pc</p>
<p>11</p>  <p>Mid Cross Bar (C)- 1pc</p>	<p>12</p>  <p>Bottom Frame - 1pc</p>
<p>13</p>  <p>Cabinet Door - 2pcs</p>	<p>14</p>  <p>Adjustable Shelf - 1pc</p>

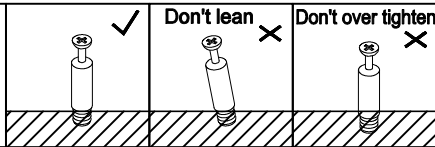
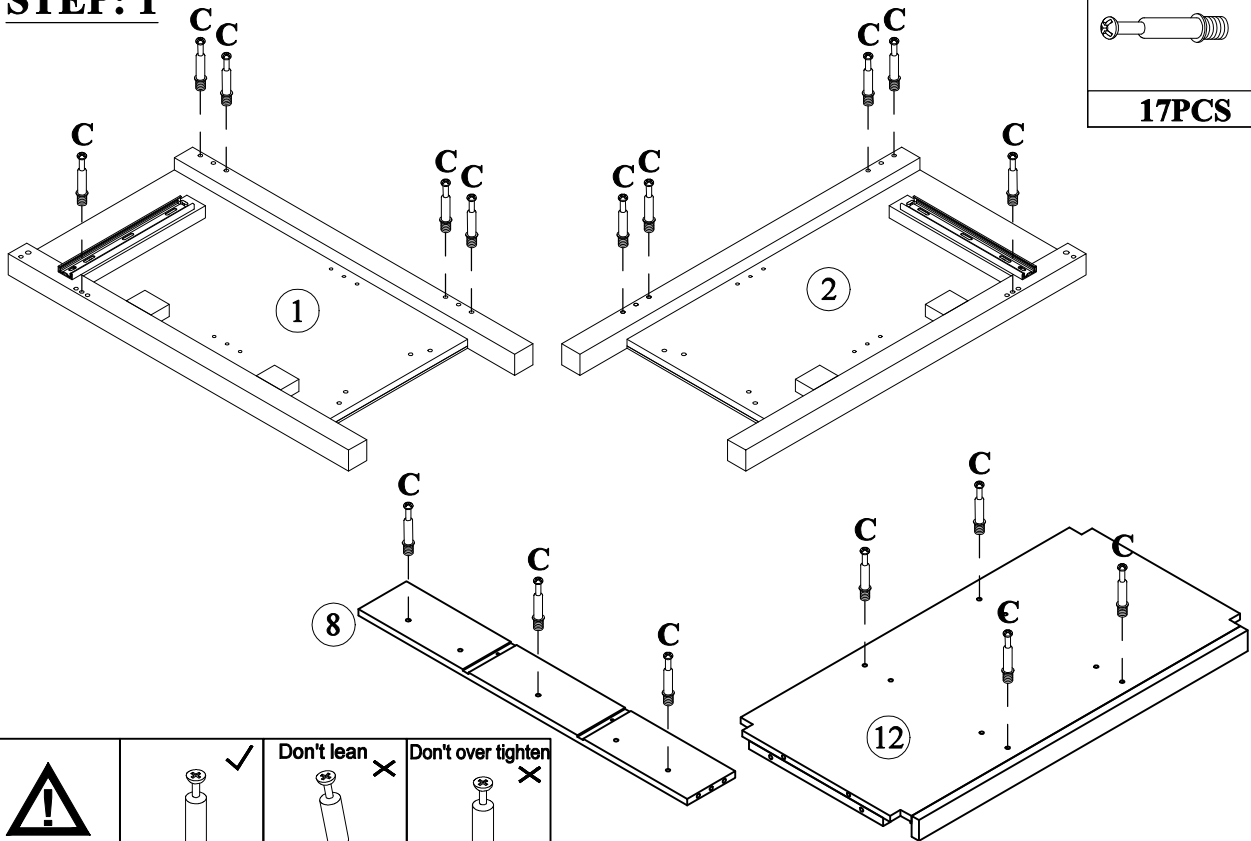
Part List - WF315814

<p>15</p>  <p>Top Drawer Face - 2pcs</p>	<p>16</p>  <p>Top Drawer Panel Rear - 2pcs</p>
<p>17</p>  <p>Top Drawer Panel Side (L) - 2pcs</p>	<p>18</p>  <p>Top Drawer Panel Side (R) - 2pcs</p>
<p>19</p>  <p>Panel Bottom(A) - 3pcs</p>	<p>20</p>  <p>Mid Drawer Face - 2pcs</p>
<p>21</p>  <p>Mid Drawer Panel Rear - 2pcs</p>	<p>22</p>  <p>Mid Drawer Panel Side(L-A) - 1pc</p>
<p>23</p>  <p>Mid Drawer Panel Side(R-A) - 1pc</p>	<p>24</p>  <p>Panel Bottom(B) - 1pc</p>
<p>25</p>  <p>Mid Drawer Panel Side(L-B) - 1pc</p>	<p>26</p>  <p>Mid Drawer Panel Side(R-B) - 1pc</p>

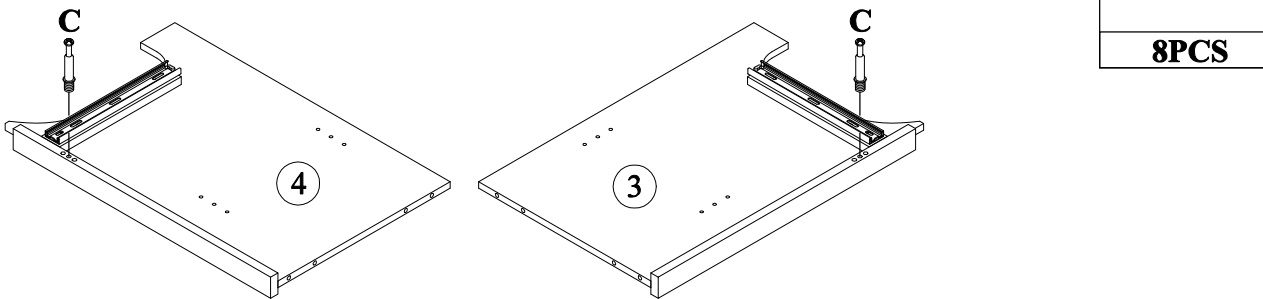
Hardware List - WF315814

<p>A</p>  <p>$\varnothing 13 \times 1/4" \times 28 \text{mm}$</p>	<p>B</p>  <p>$\varnothing 1/4" \times 16 \times 1 \text{mm}$</p>	<p>C</p>  <p>$\varnothing 6 \times 35 \text{mm}$</p>
<p>Hex-Head bolts (6pcs)</p>	<p>Washer (6pcs)</p>	<p>Three in one bolts (49pcs)</p>
<p>D</p>  <p>$\varnothing 14.5 \times 12 \text{mm}$</p>	<p>E</p>  <p>$\varnothing 8 \times \varnothing 4 \times 25 \text{mm}$</p>	<p>F</p> 
<p>Three in one lock (49pcs)</p>	<p>Round head screw (4pcs)</p>	<p>Handle (9pcs)</p>
<p>G</p>  <p>$\varnothing 5/32" \times 15 \text{mm}$</p>	<p>H</p> 	<p>I</p> 
<p>Handle screw (18pcs)</p>	<p>Laminate pad(8pcs)</p>	<p>Damping hinge (4pcs)</p>
<p>J</p>  <p>$\varnothing 7 \times \varnothing 3.5 \times 15 \text{mm}$</p>	<p>P</p> 	<p>Q</p>  <p>$\varnothing 7 \times \varnothing 3.5 \times 12 \text{mm}$</p>
<p>Flat head screw (24pcs)</p>	<p>L-Bracket (2pcs)</p>	<p>Round head screw (4pcs)</p>
<p>R</p>  <p>$\varnothing 8 \times 30 \text{mm}$</p>	<p>S</p>  <p>4mm</p>	<p>T</p> 
<p>Wood dowel (56pcs)</p>	<p>Allen key (1pc)</p>	<p>Anti fall hardware (1set)</p>

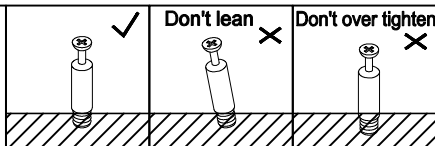
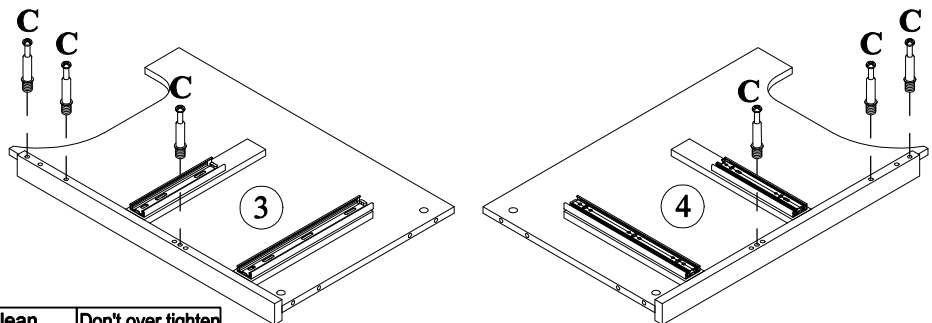
STEP: 1




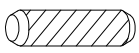
STEP: 2

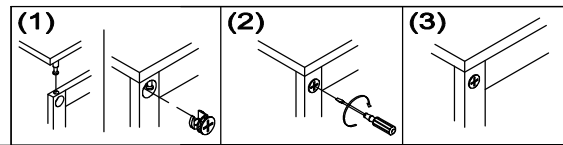
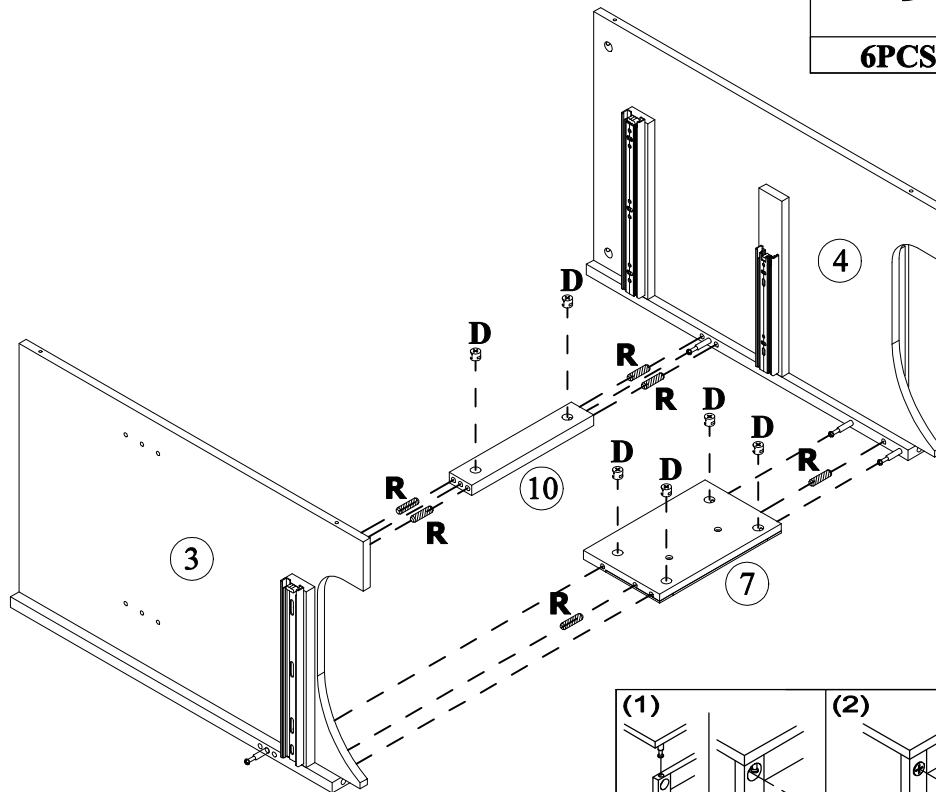


Turn over and install screw


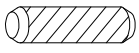


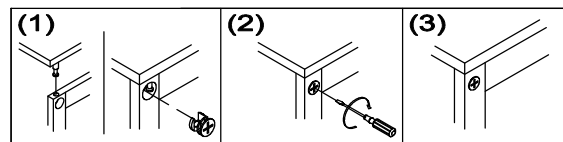
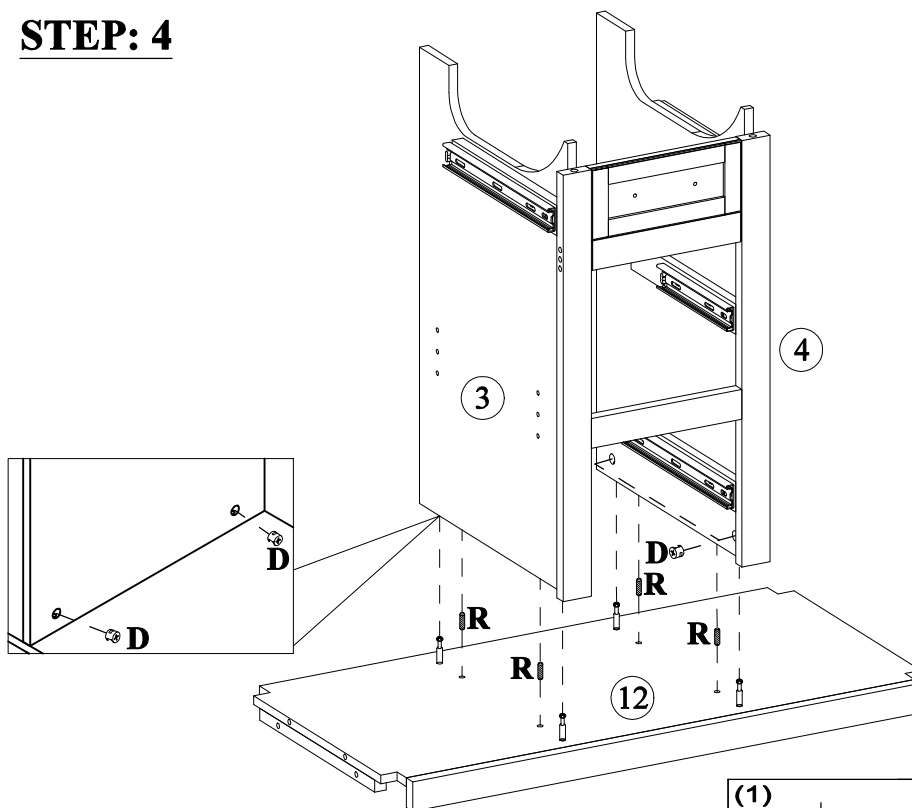
STEP: 3

D	R
	
6PCS	6PCS


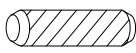



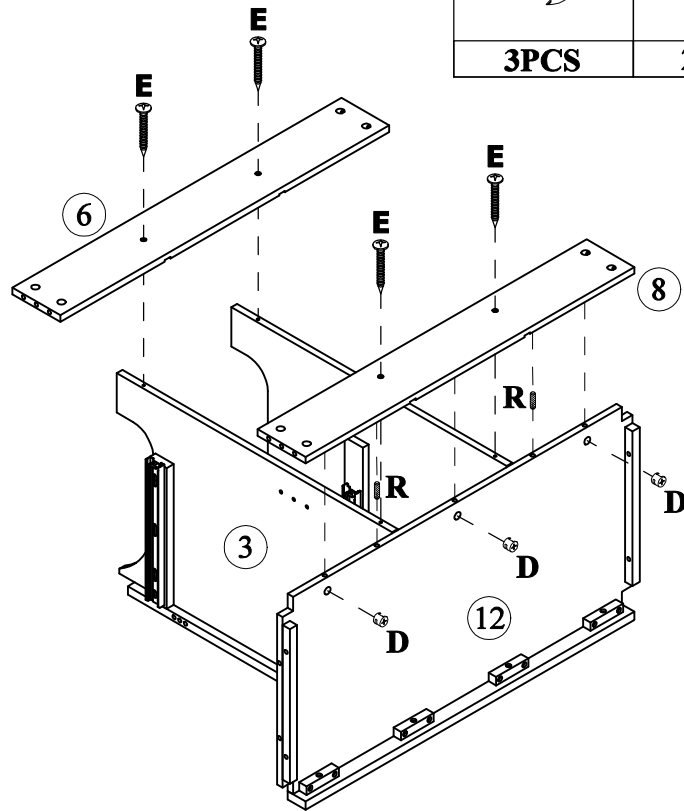
STEP: 4

D	R
	
4PCS	4PCS






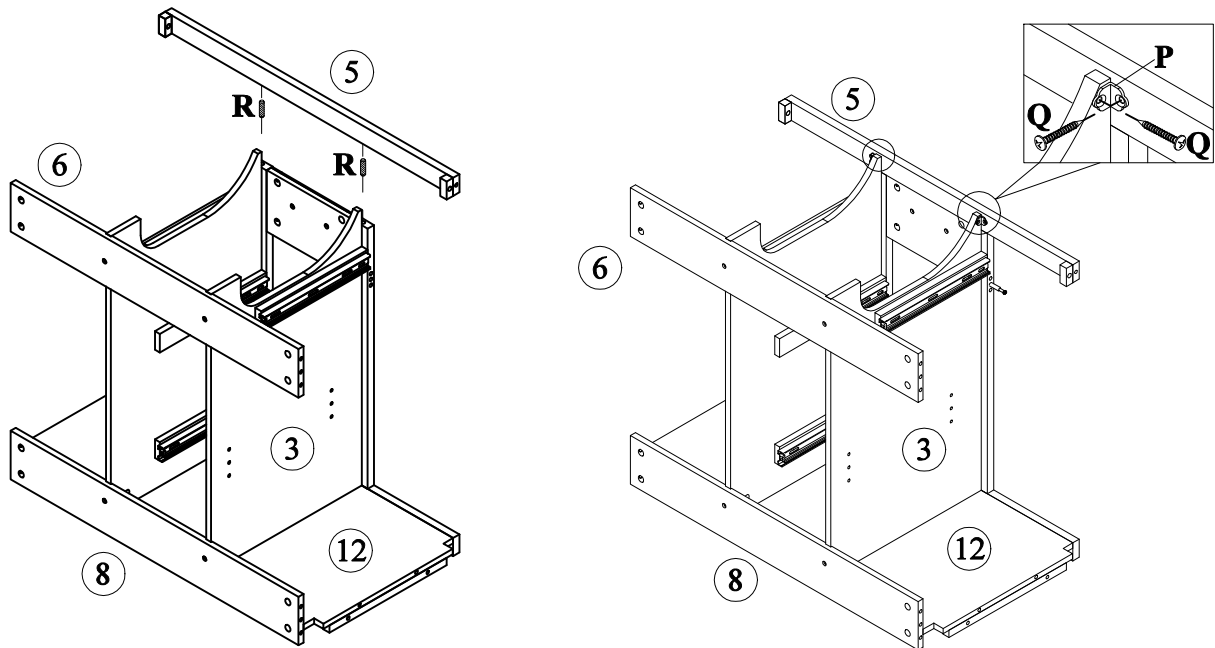
STEP: 5

D	R	E
		
3PCS	2PCS	4PCS





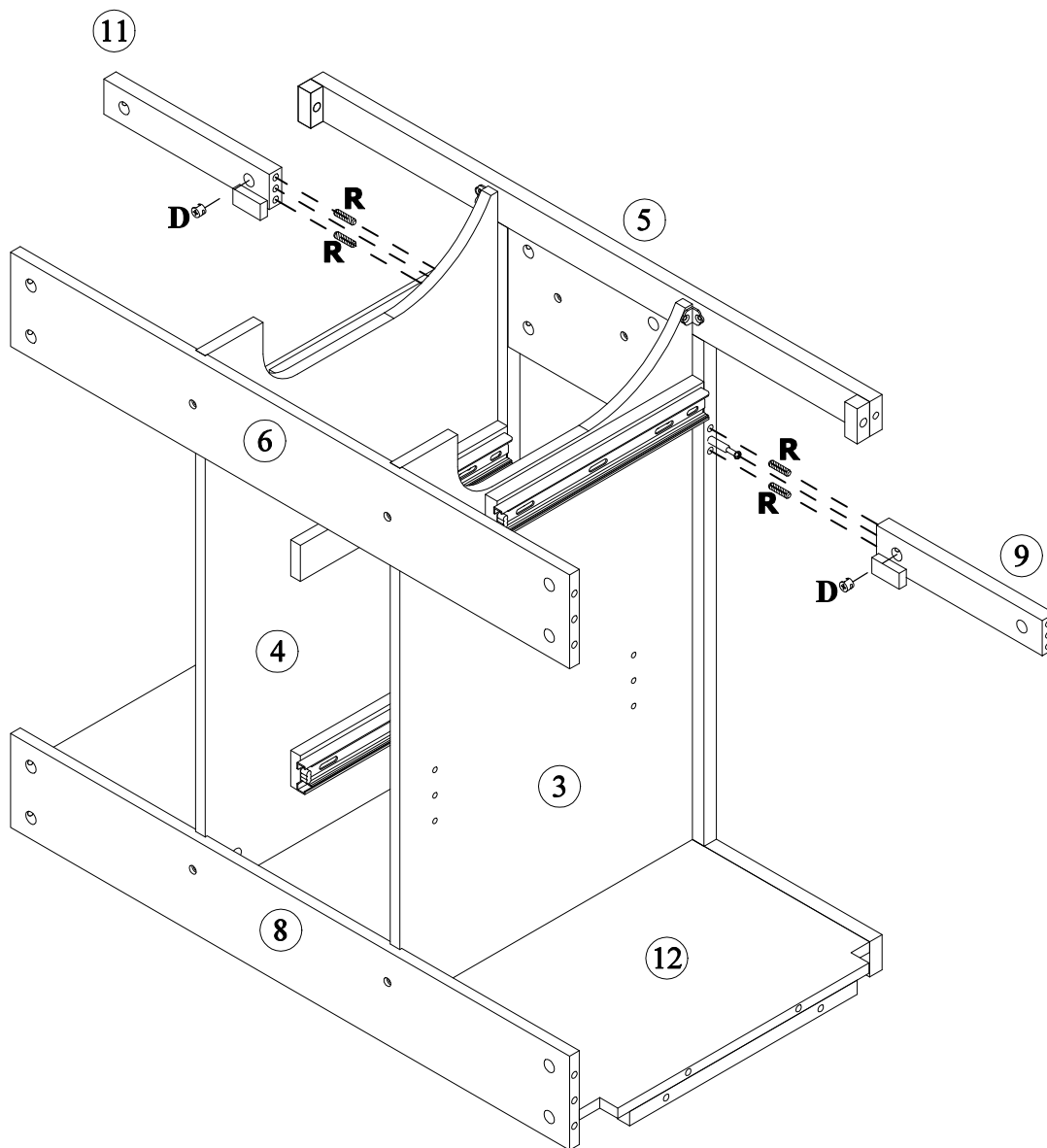
STEP: 6

R	P	Q
		
2PCS	2PCS	4PCS







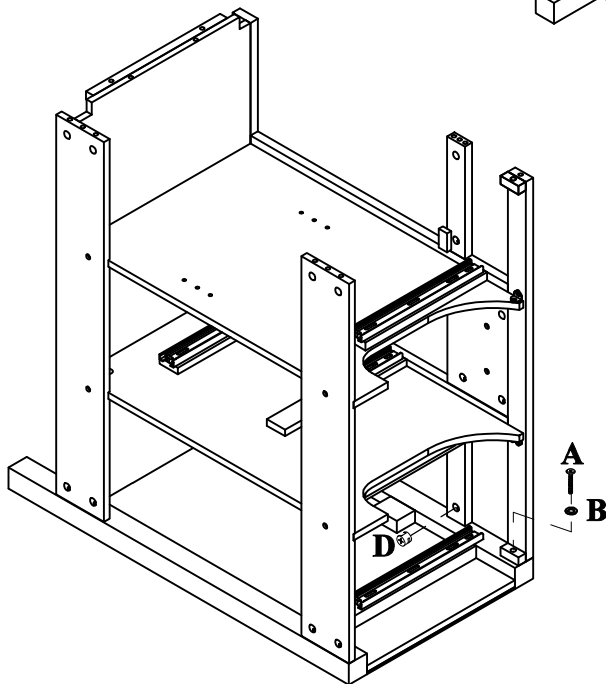
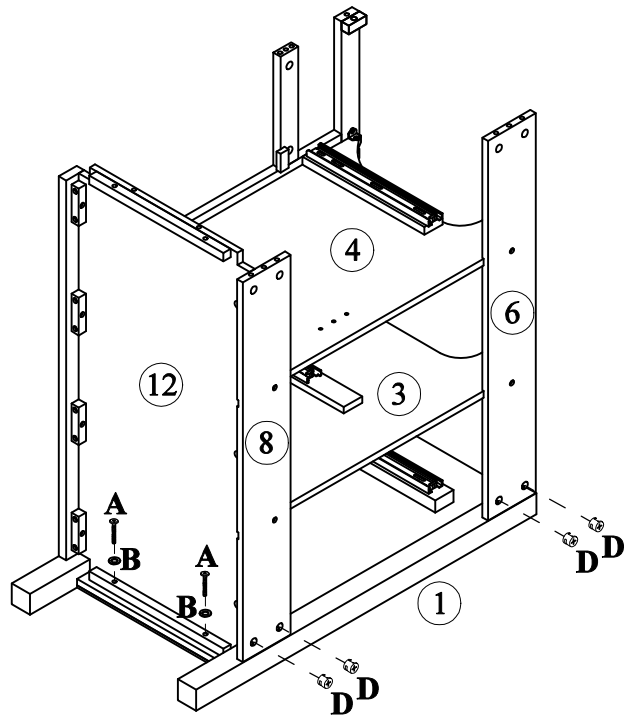
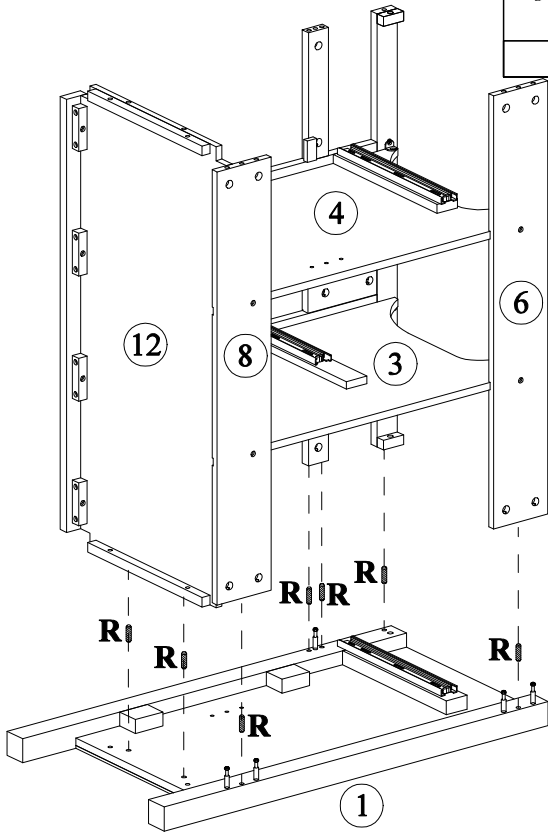
STEP: 7

D		R	
2PCS		4PCS	

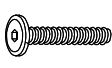


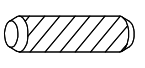


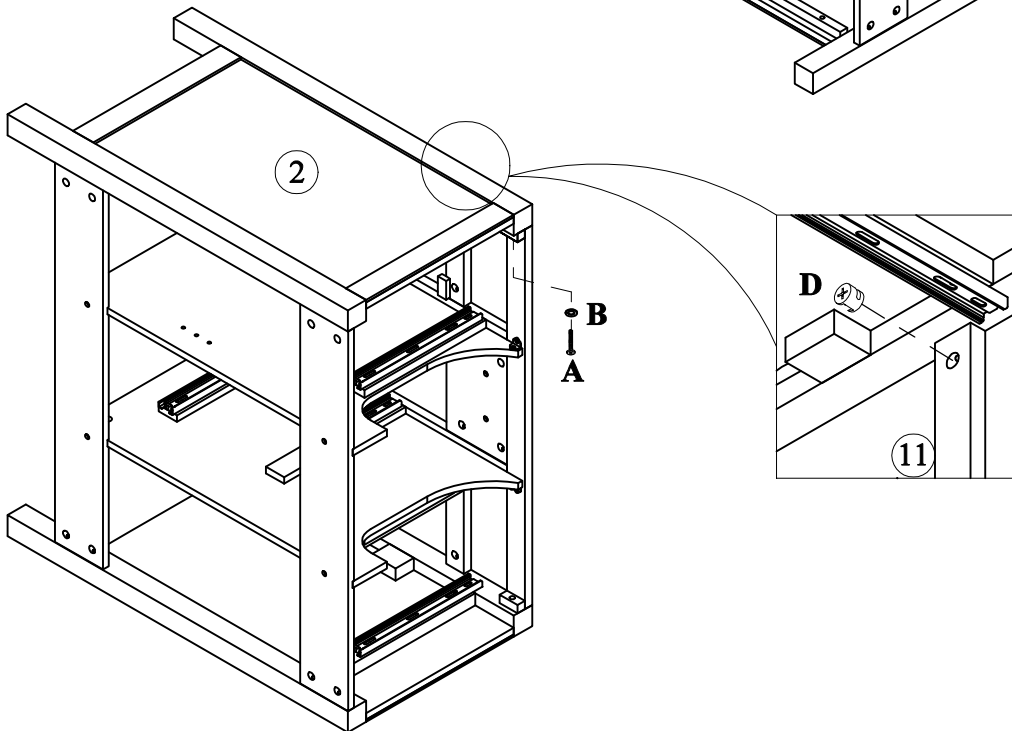
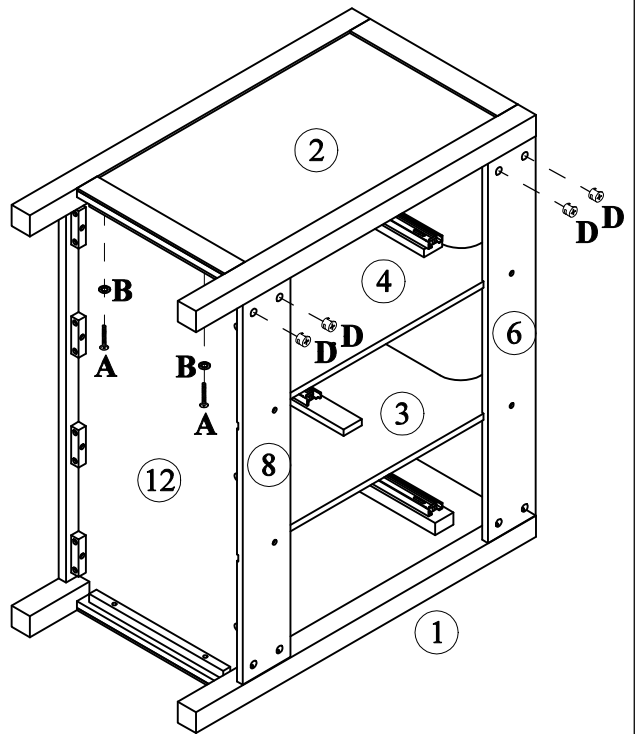
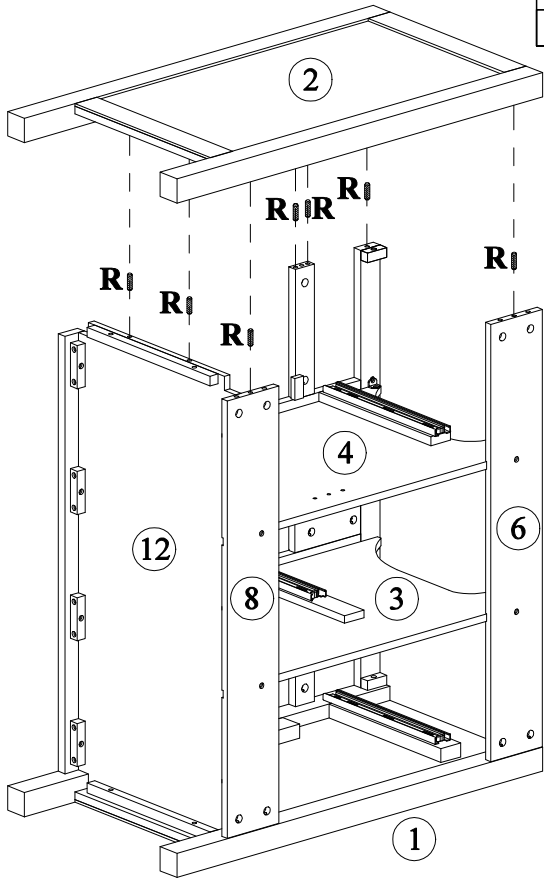
STEP: 8

A	B	D	R
			
3PCS	3PCS	5PCS	7PCS



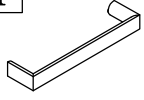
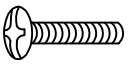


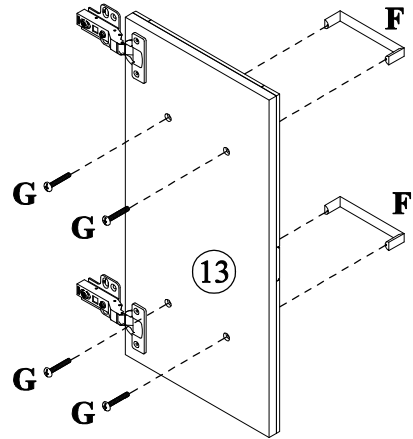
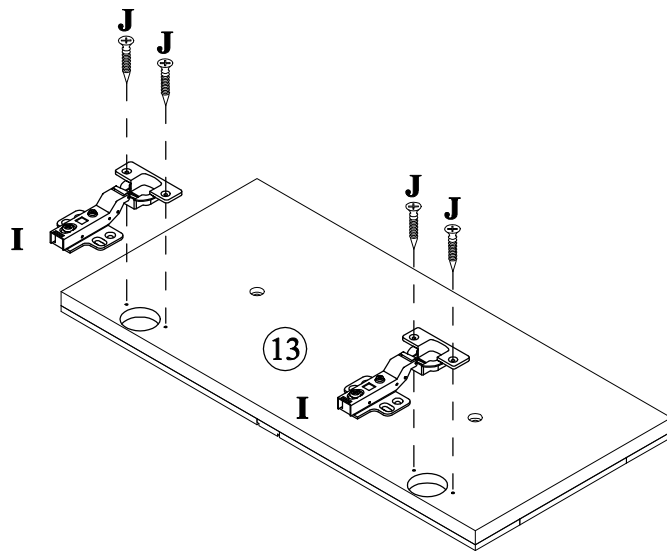
STEP: 9

A	B	D	R
			
3PCS	3PCS	5PCS	7PCS



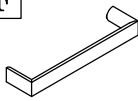
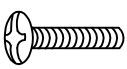
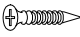
STEP: 10

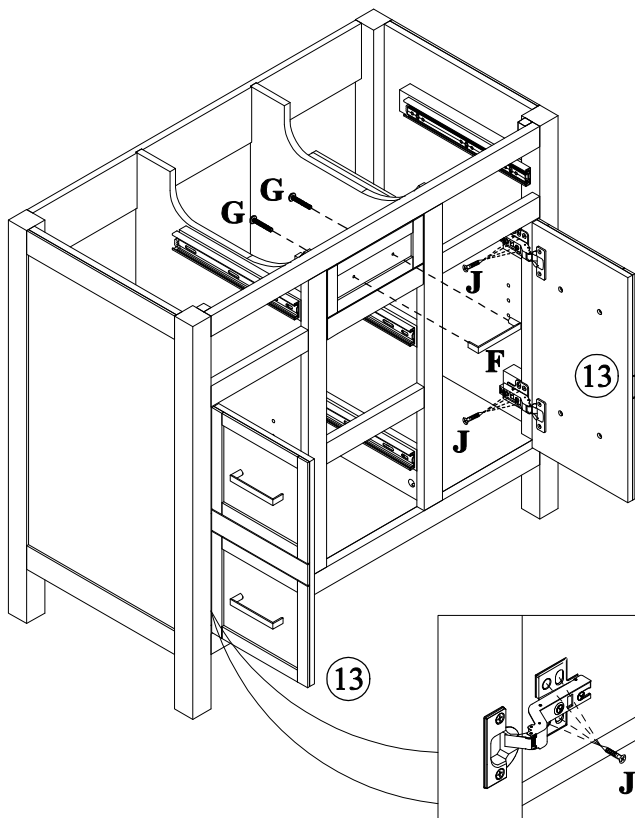
I	J	F	G
			
4PCS	8PCS	4PCS	8PCS



x2

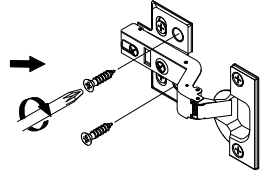
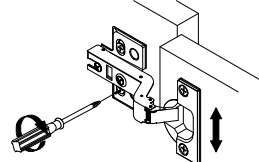
STEP: 11

F	G	J
		
1PC	2PCS	16PCS



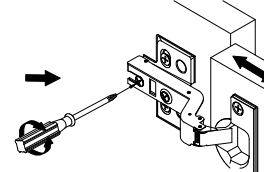
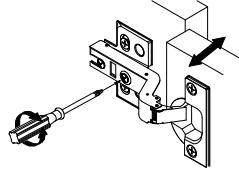
Use the screws to adjust up or down

Use the screws to permanent

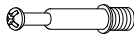

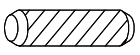
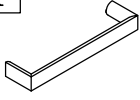
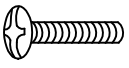


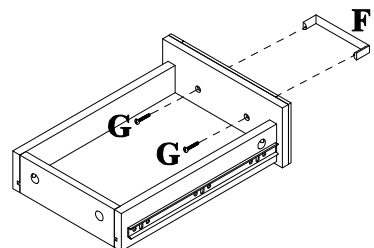
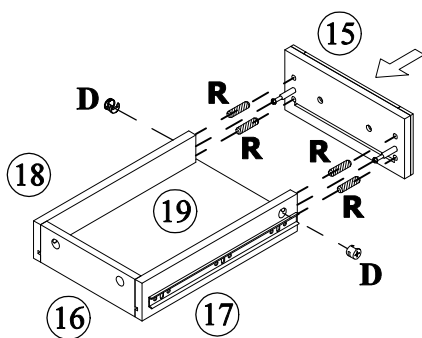
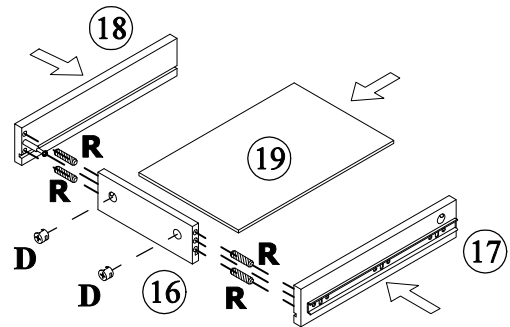
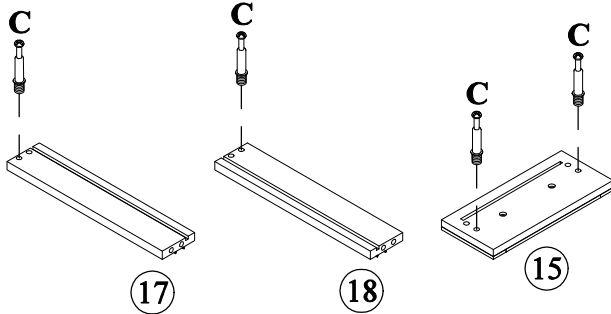
Use the screws to adjust left or right

Use the screws to adjust in or out



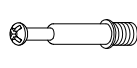

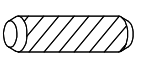
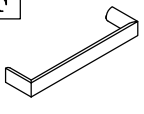
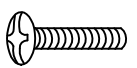
STEP: 12

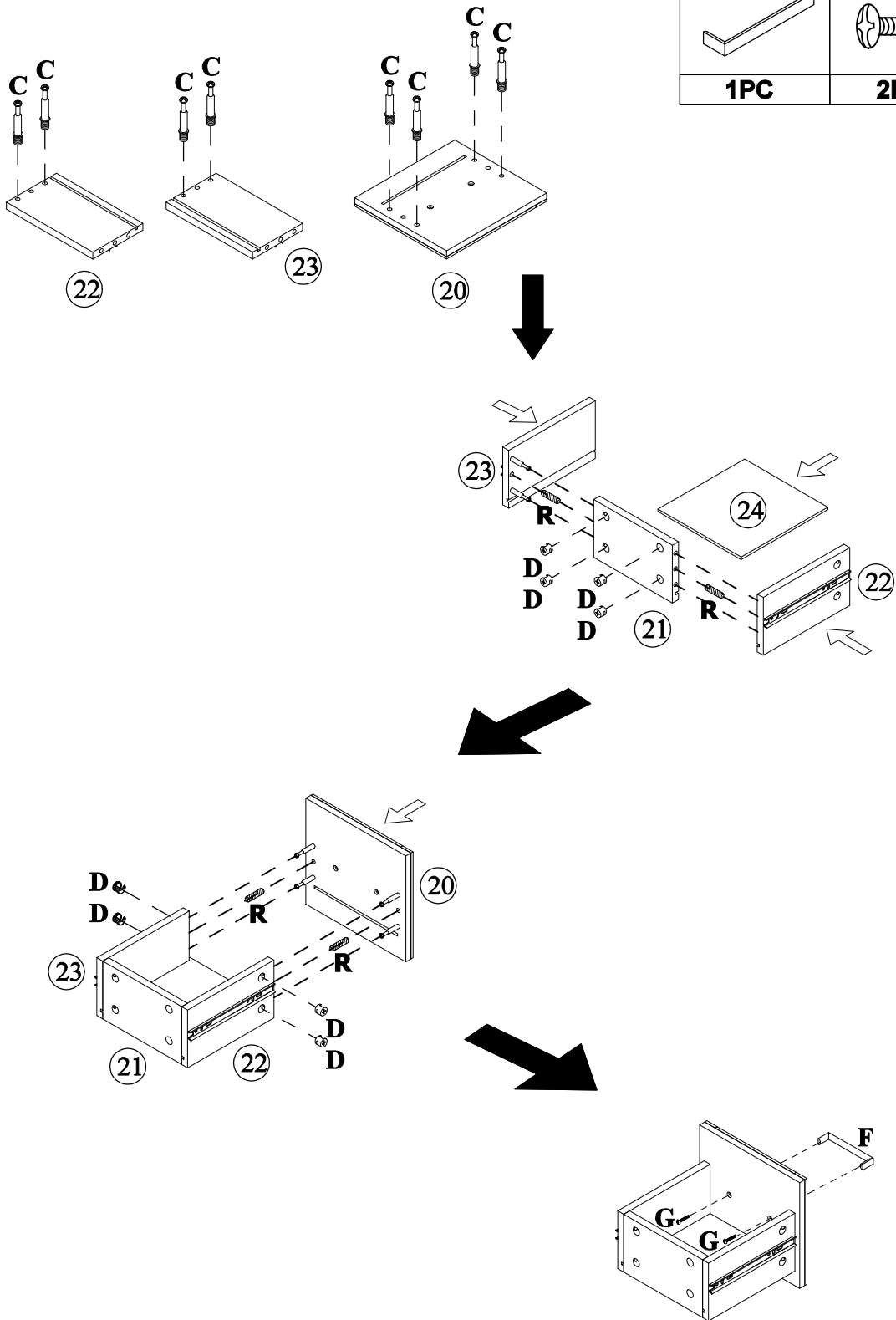
C 	D 	R 
8PCS	8PCS	16PCS
	F 	G 
	2PCS	4PCS



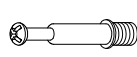

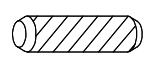
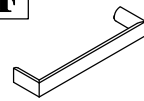
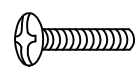
x2

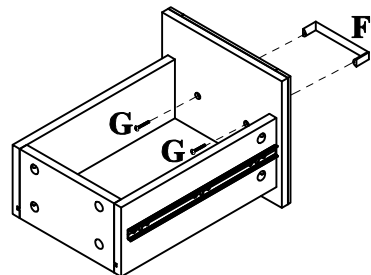
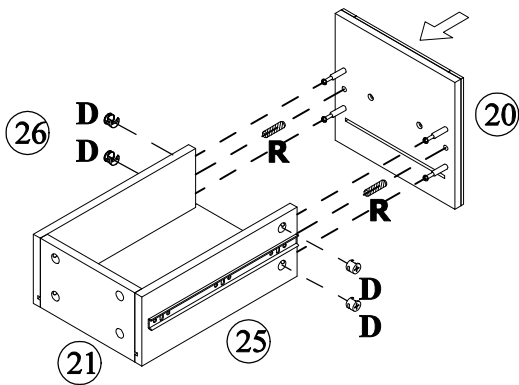
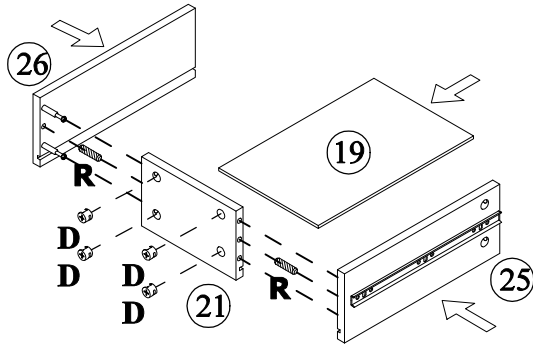
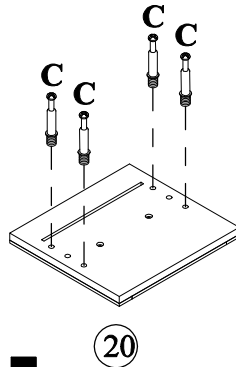
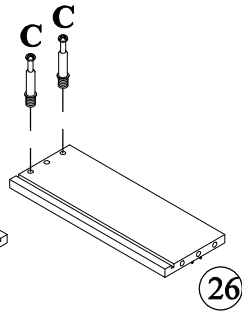
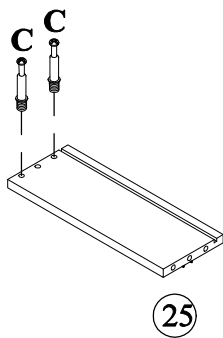
STEP: 13

C 	D 	R 
8PCS	8PCS	4PCS
	F 	G 
	1PC	2PCS



STEP: 14

C 	D 	R 
8PCS	8PCS	4PCS
F 	G 	
1PC	2PCS	

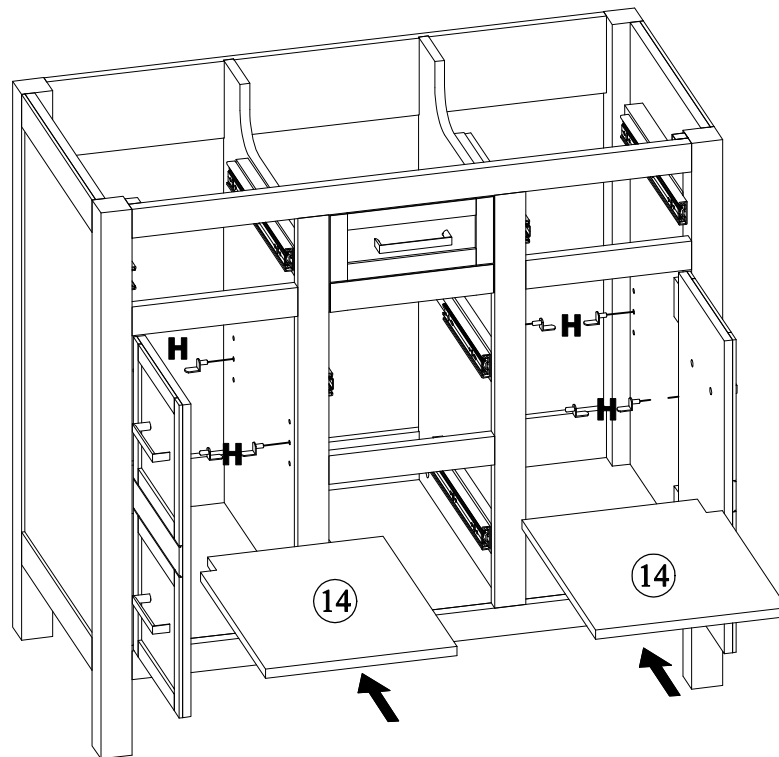


STEP: 15

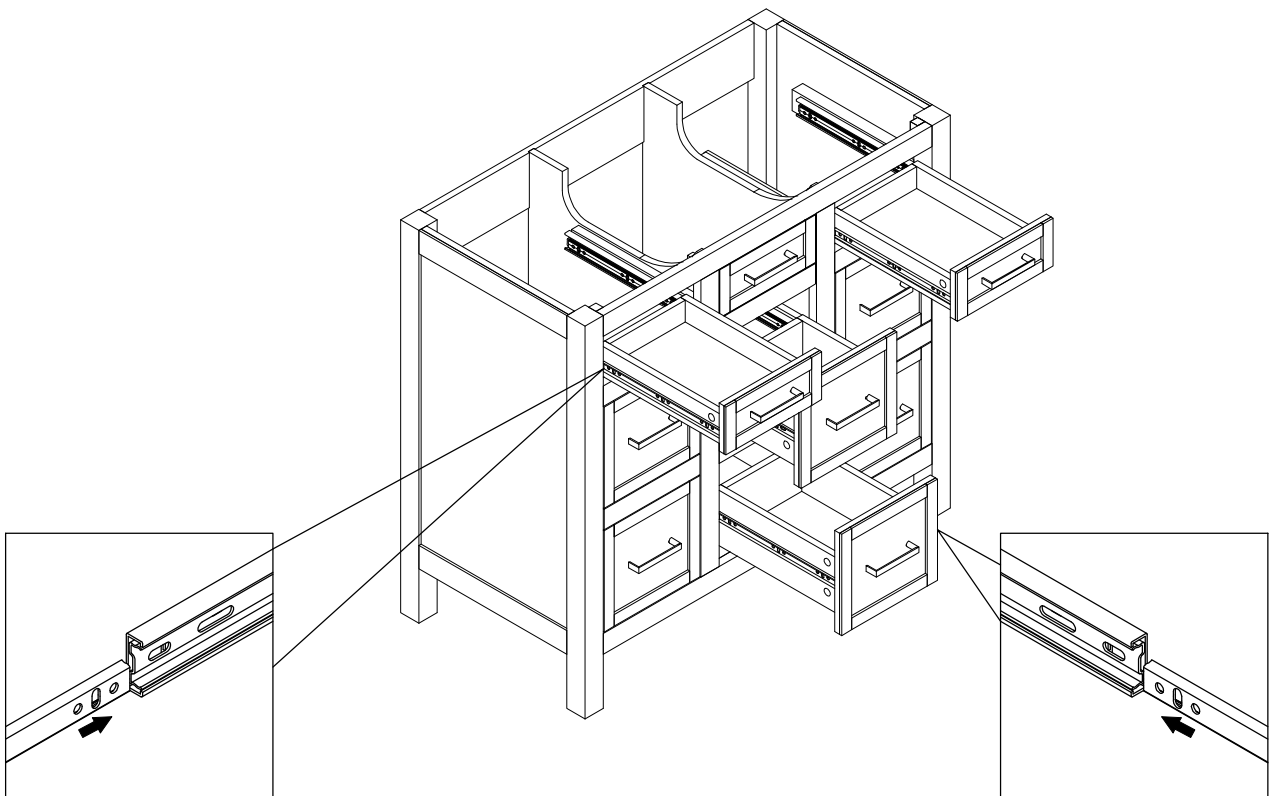
H



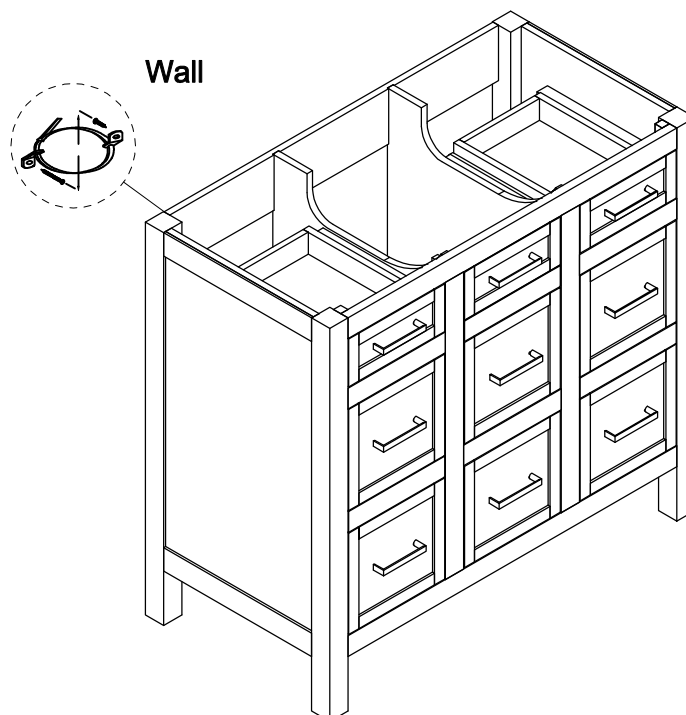
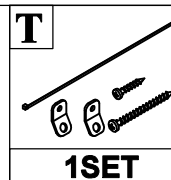
8PCS



STEP: 16

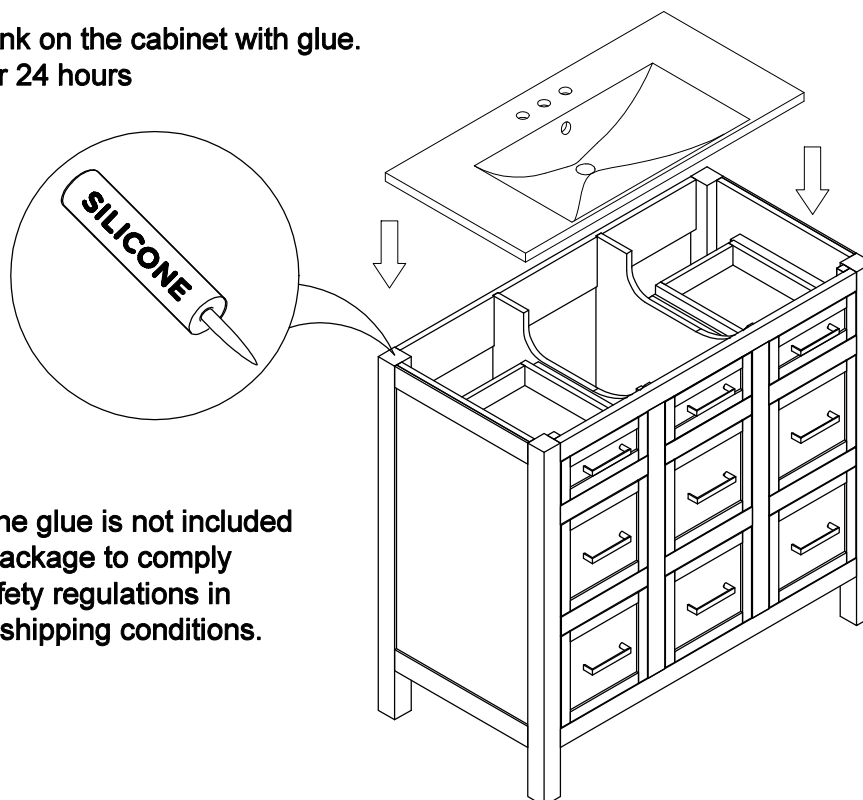


STEP: 17



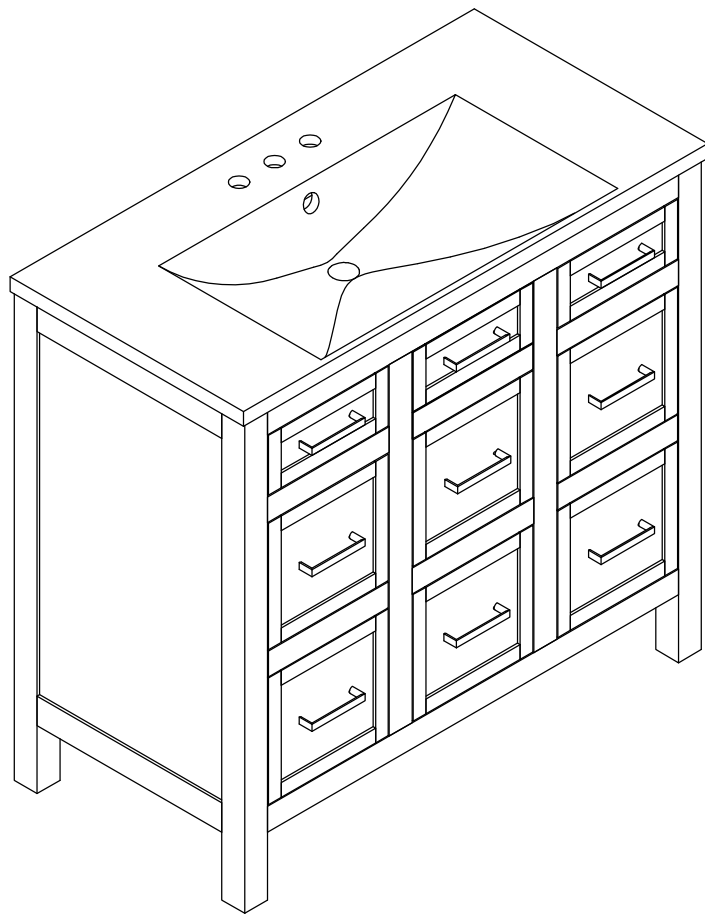
STEP: 18

Install the sink on the cabinet with glue.
Let stand for 24 hours

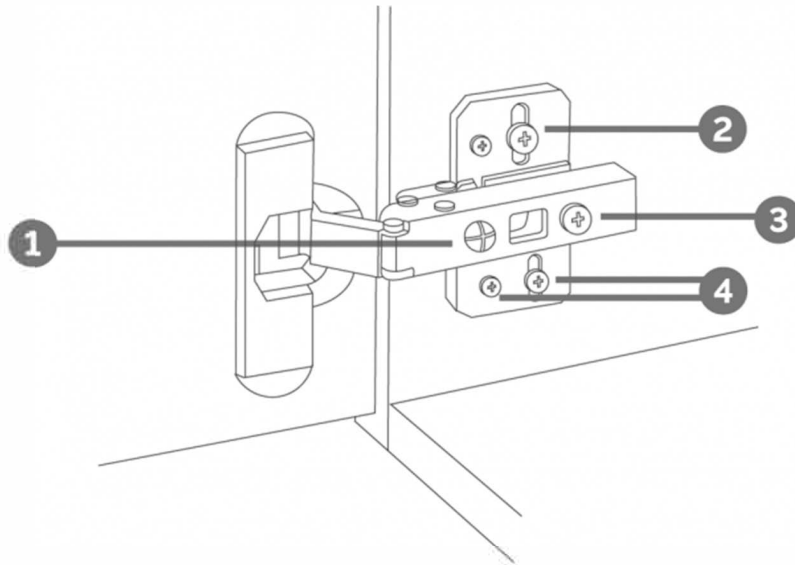


*Silicone glue is not included
in the package to comply
with safety regulations in
certain shipping conditions.

STEP: 19

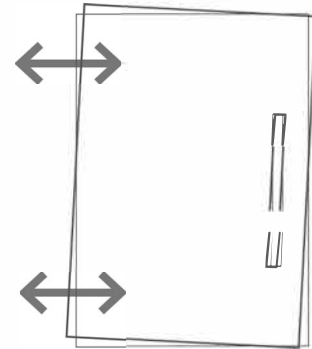


HINGE ADJUSTMENTS



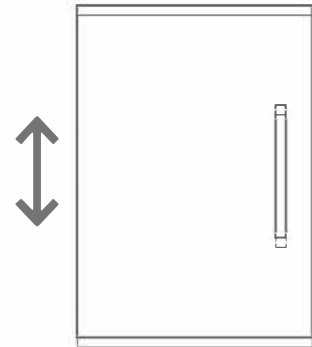
1 Sideways / Tilt adjustment

Turn the screw
clockwise to move the door further away from
the side of the cabinet
anticlockwise to move the door closer to the
side of the cabinet



2 4 Height adjustment

While supporting the weight of the door, turn the
screws
clockwise to move the door up
anticlockwise to move the door down



3 Forward and back adjustment

If the gap between the back of the door and the
cabinet is too small, and the door may not close
fully. Turn the screw
clockwise to decrease the gap between the
door and the cabinet
anticlockwise to increase the gap between the
door and the cabinet

