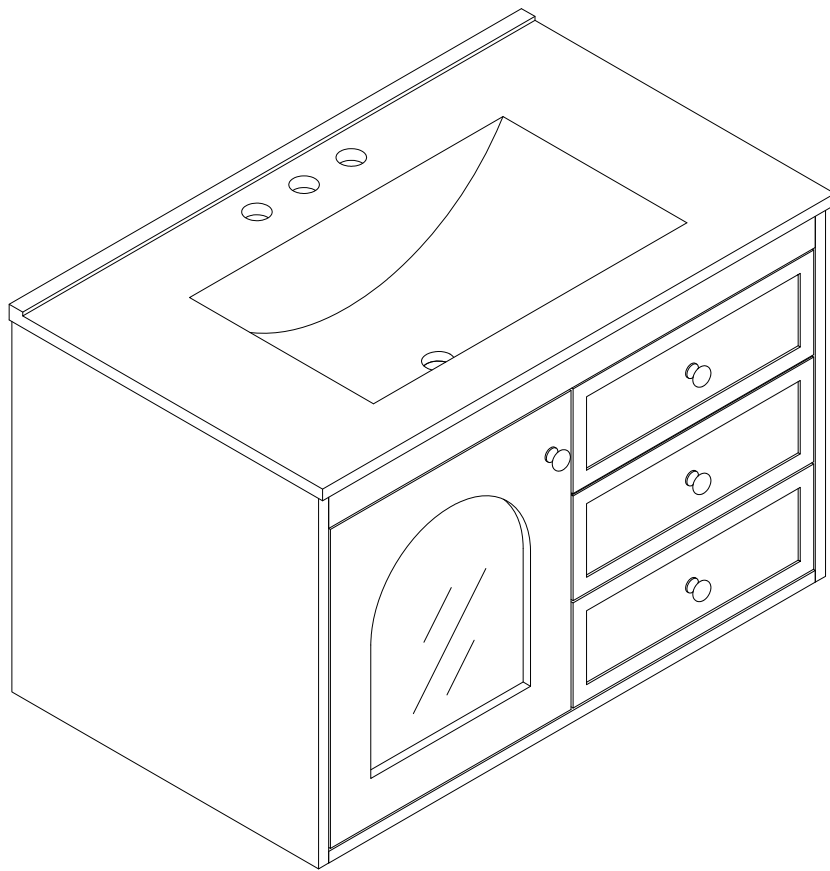
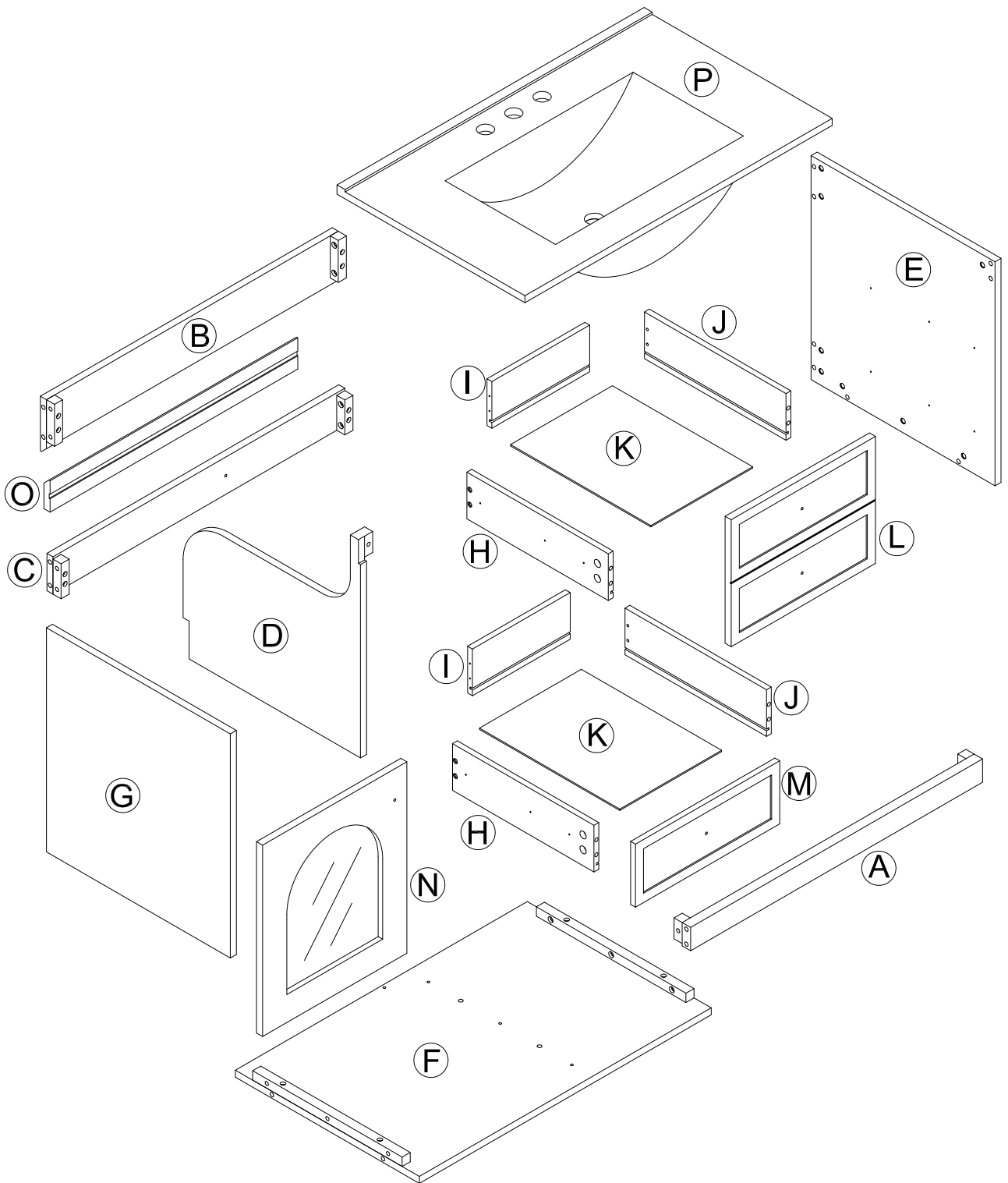
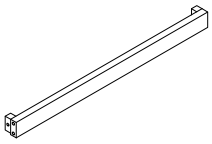
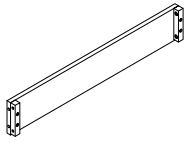
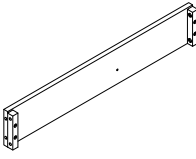
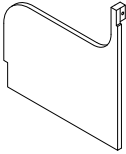
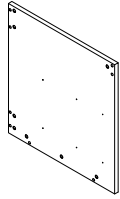
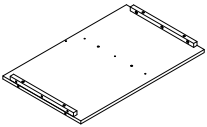
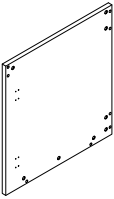
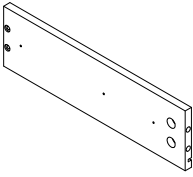
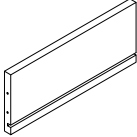
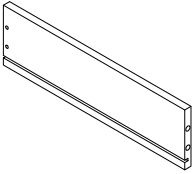
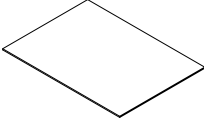
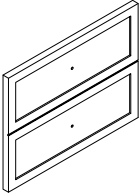
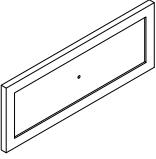
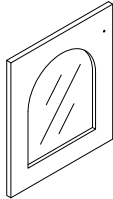
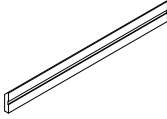
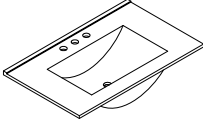


WF323082AAF

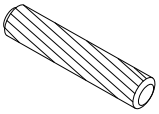
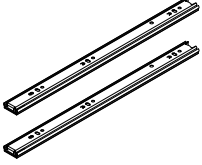

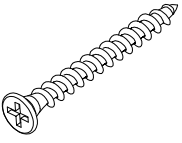
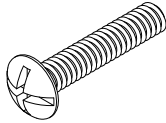
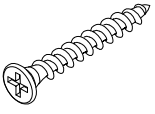
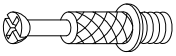
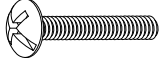
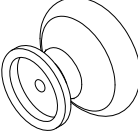
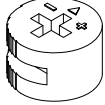

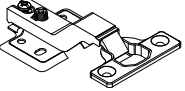
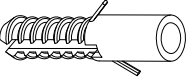
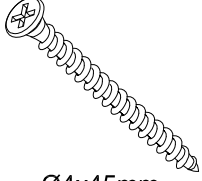




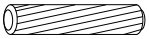
PRODUCT PARTS:

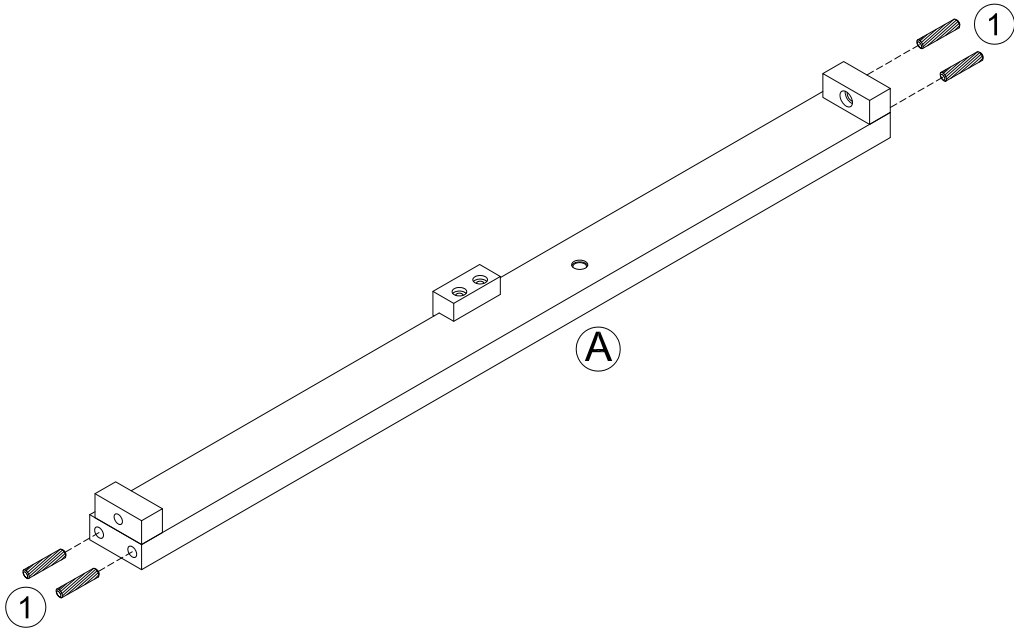
| | | | | | |
|--|--|--|---|---|---|
| A | B | C | D | E | F |
|  |  |  |  |  |  |
| 1PC | 1PC | 1PC | 1PC | 1PC | 1PC |
| G | H | I | J | K | L |
|  |  |  |  |  |  |
| 1PC | 2PCS | 2PCS | 2PCS | 2PCS | 1PC |
| M | N | O | P | | |
|  |  |  |  | | |
| 1PC | 1PC | 1PC | 1PC | | |

HARDWARE:

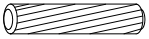
| | | | | | |
|---|--|---|--|---|---|
| ① | ② | ③ | ④ | ⑤ | ⑥ |
|  |  |  |  |  |  |
| Ø8x30mm | 14"x35mm | Ø3x10mm | Ø4x35mm | 1/4"x25mm | Ø4x25mm |
| 18+2 PCS | 2 SET | 24+2 PCS | 5 PCS | 17+1 PCS | 8PCS |
| ⑦ | ⑧ | ⑨ | ⑩ | ⑪ | ⑫ |
|  |  |  |  |  |  |
| Ø6x33mm | 5/32"x18mm | | Ø15x9mm | Ø4x12mm | |
| 8PCS | 4PCS | 4PCS | 8PCS | 12+1PCS | 2PCS |
| ⑬ | ⑭ | | | | |
|  |  | | | | |
| | Ø4x45mm | | | | |
| 3PCS | 3PCS | | | | |

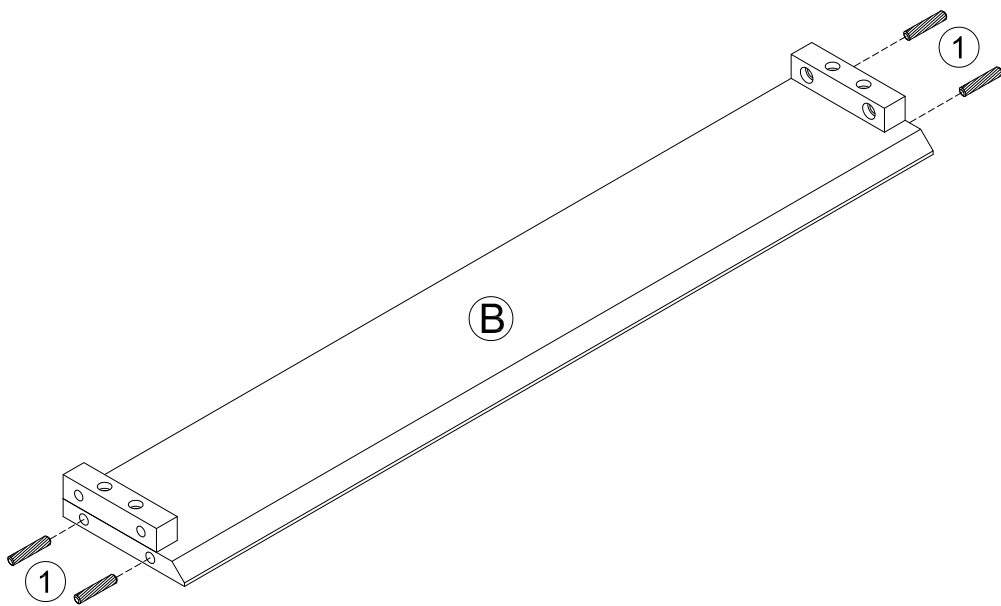
STEP 1

①  4pcs
Ø8x30mm




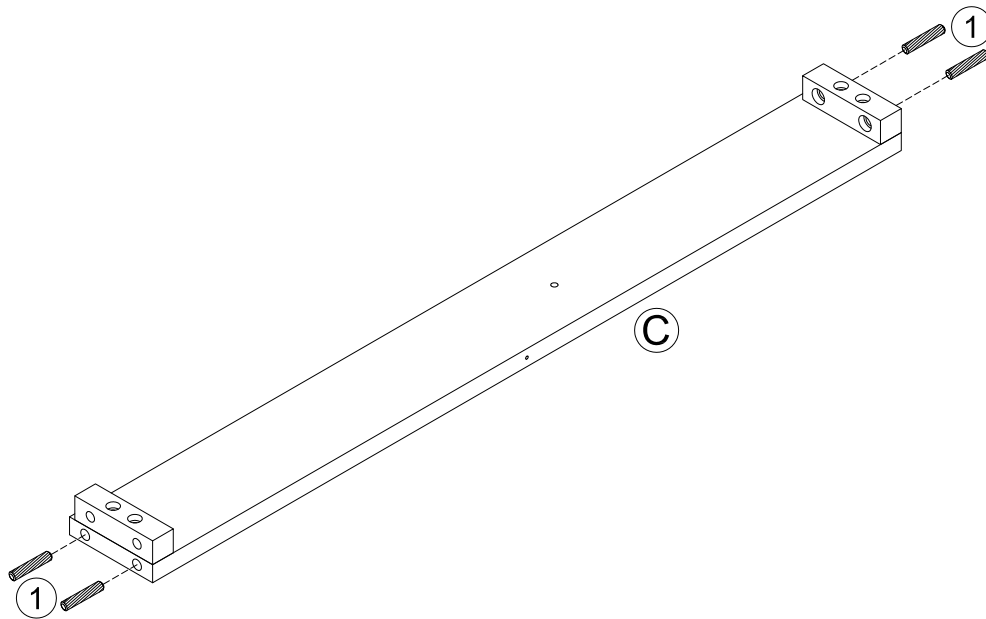
STEP 2

①  4pcs
Ø8x30mm

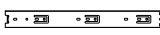


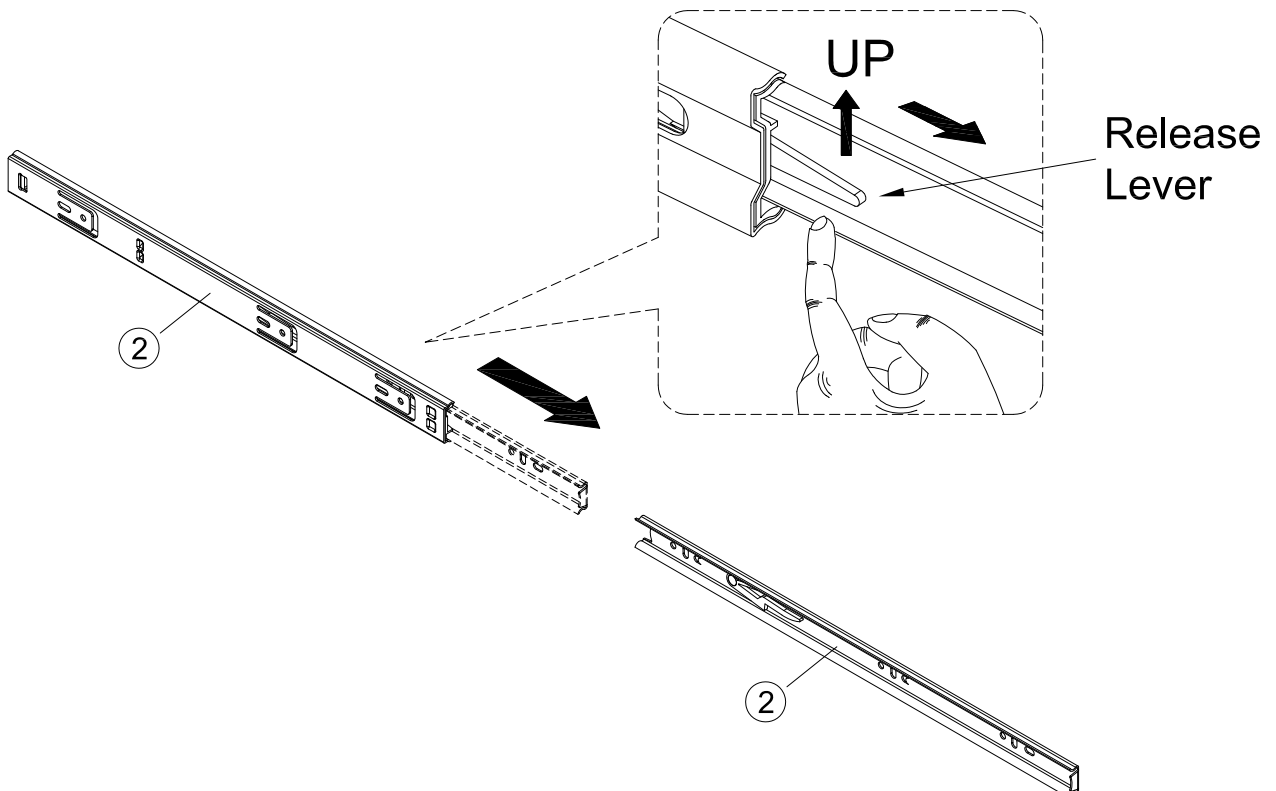
STEP 3

- ①  4pcs
Ø8x30mm



STEP 4

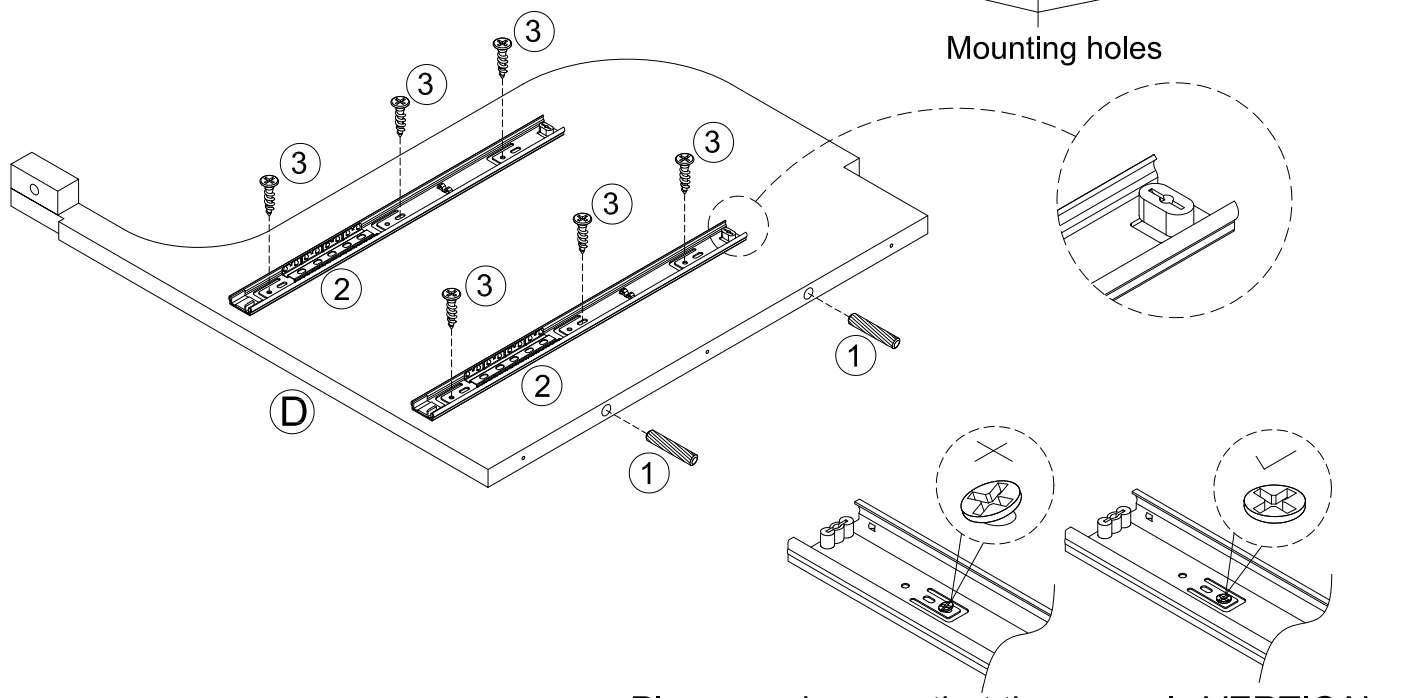
- ②  2SET
14"x35mm



STEP 5

- ② 14"x35mm 2pcs
- ① Ø8x30mm 2pcs

- ③ Ø3x10mm 6pcs

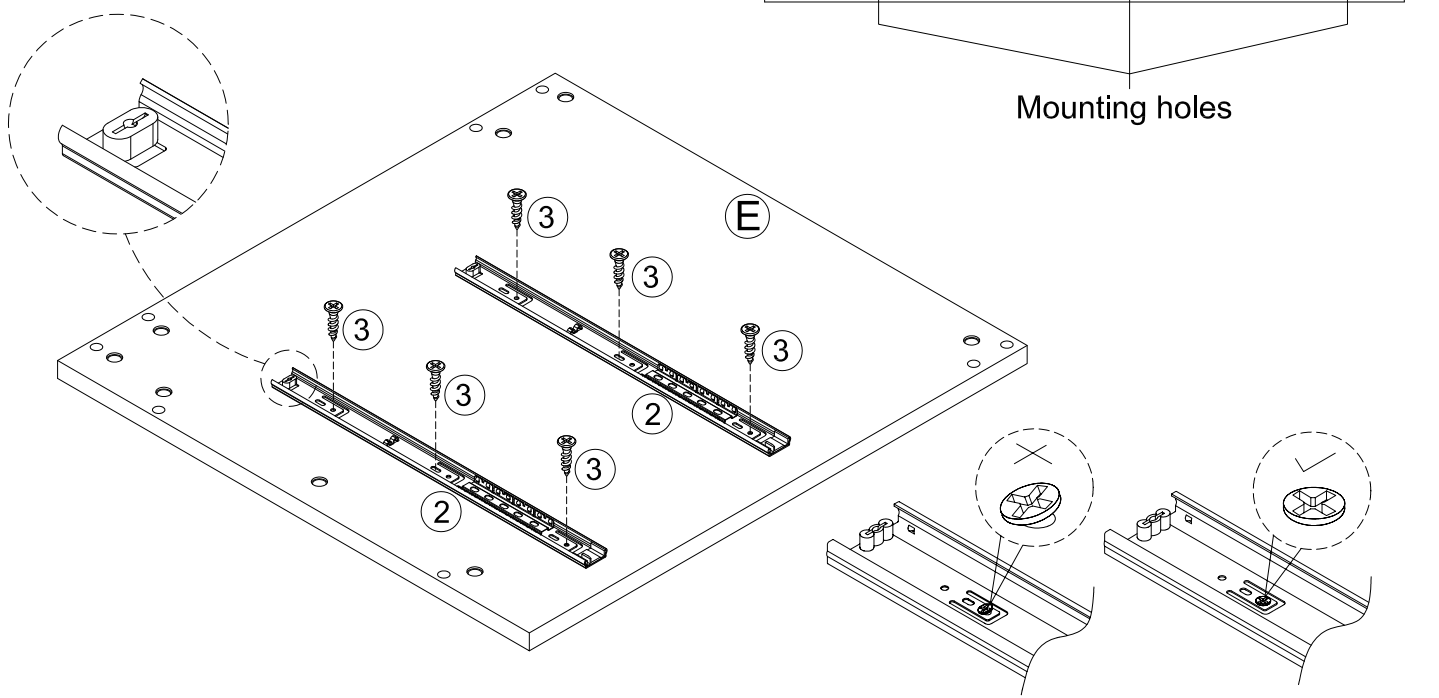


Please make sure that the screw is VERTICAL so as not to affect the sliding of the drawer.

STEP 6


- ② 14"x35mm 2pcs


- ③ Ø3x10mm 6pcs

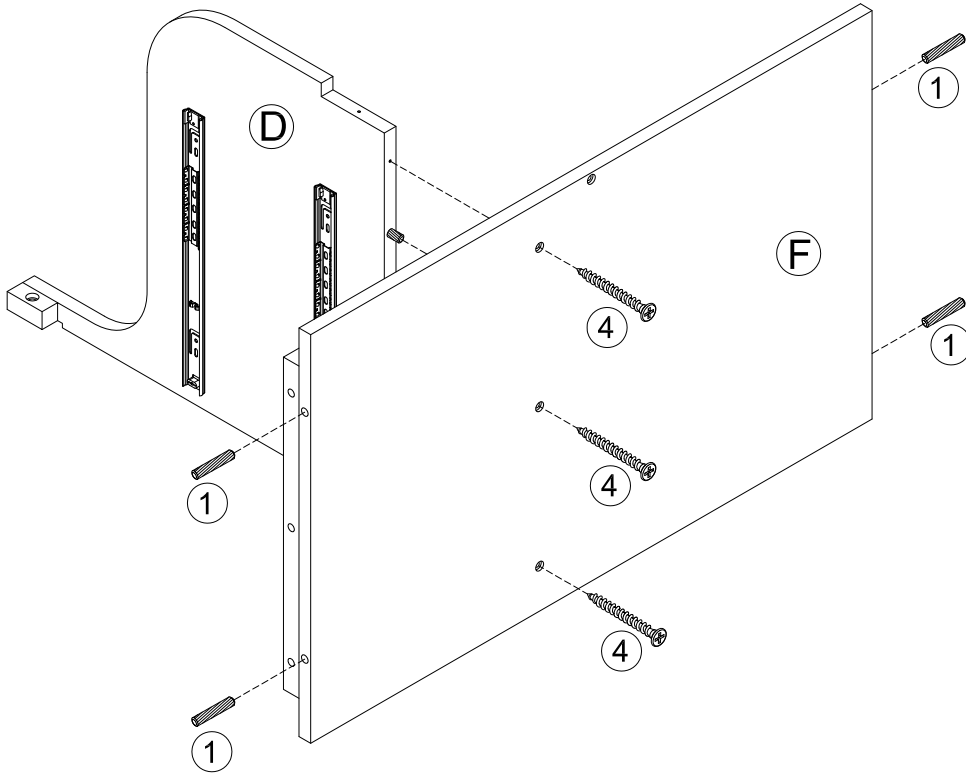


Please make sure that the screw is VERTICAL so as not to affect the sliding of the drawer.

STEP 7


④  3pcs
Ø4x35

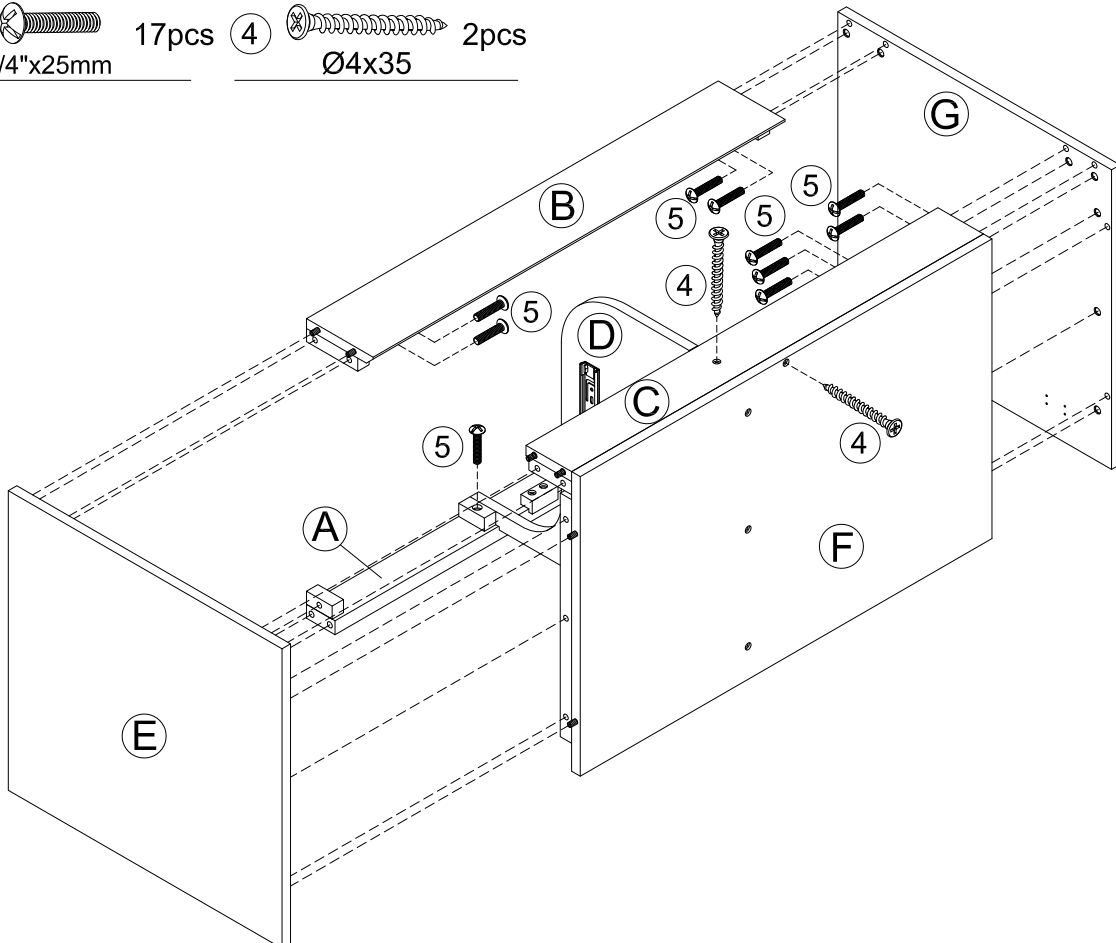
①  4pcs
Ø8x30mm




STEP 8

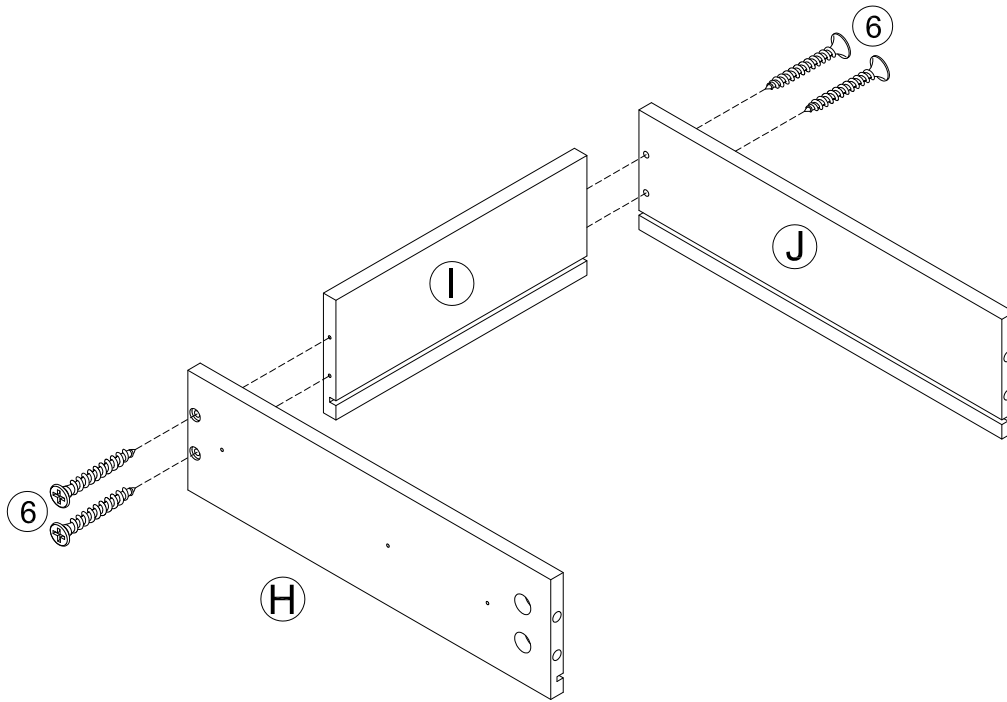
⑤  17pcs
1/4"x25mm

④  2pcs
Ø4x35



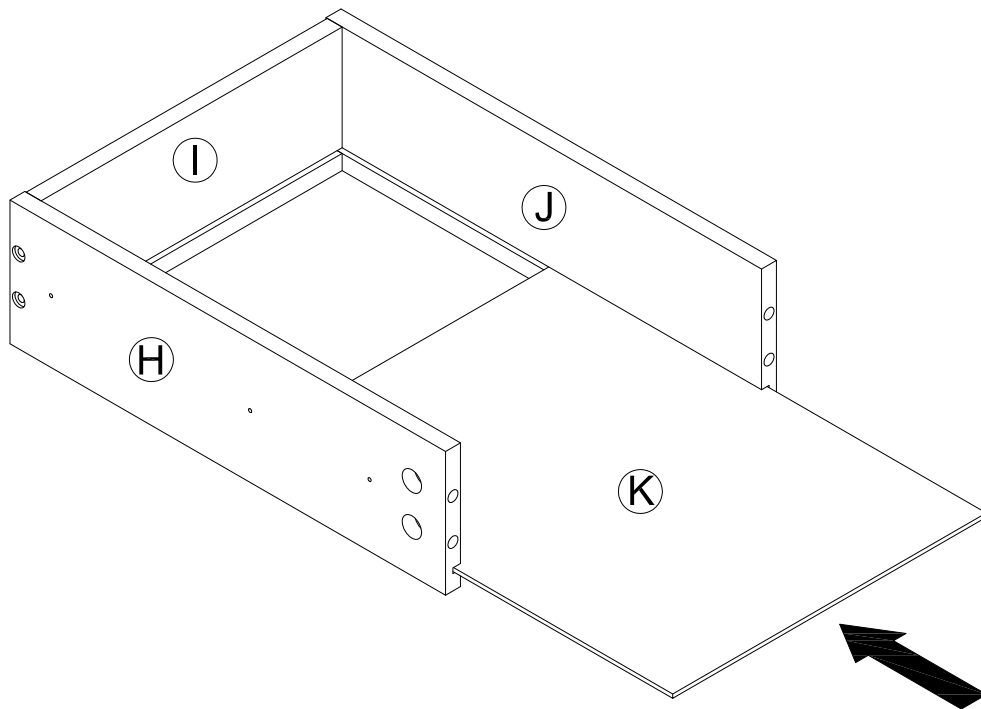
STEP 9

⑥  8pcs
Ø4x25




x 2

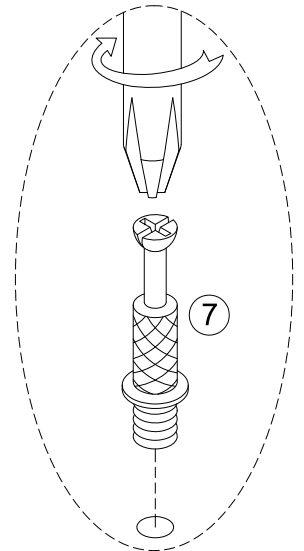
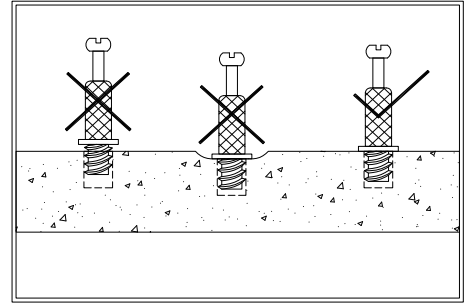
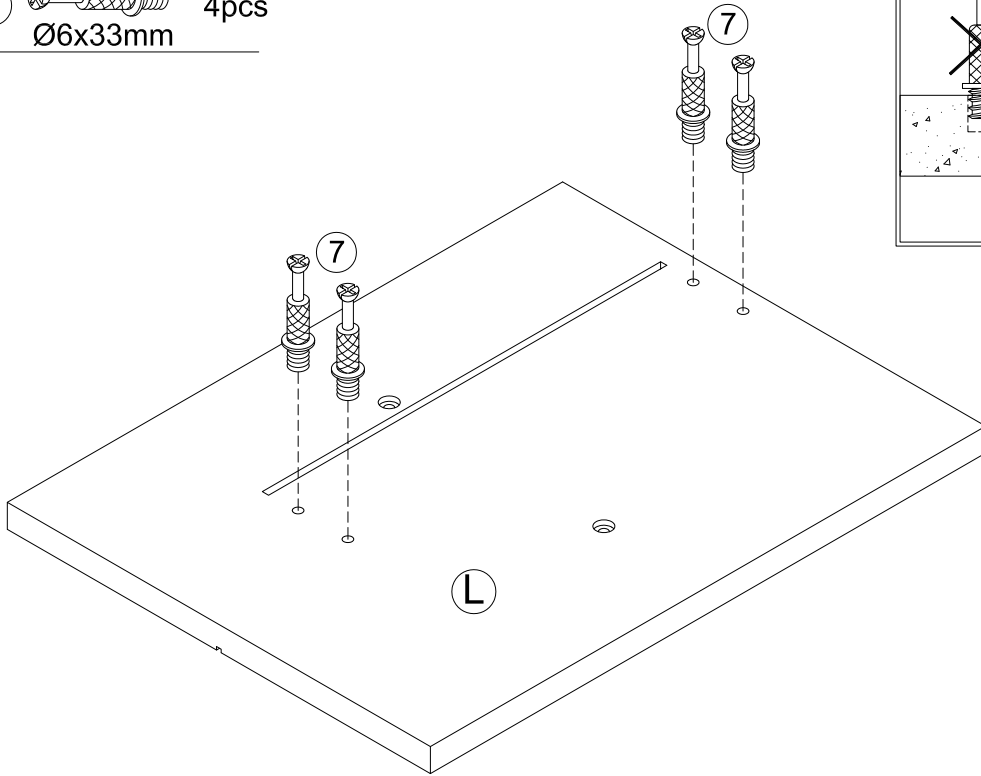
STEP 10




x 2


STEP 11

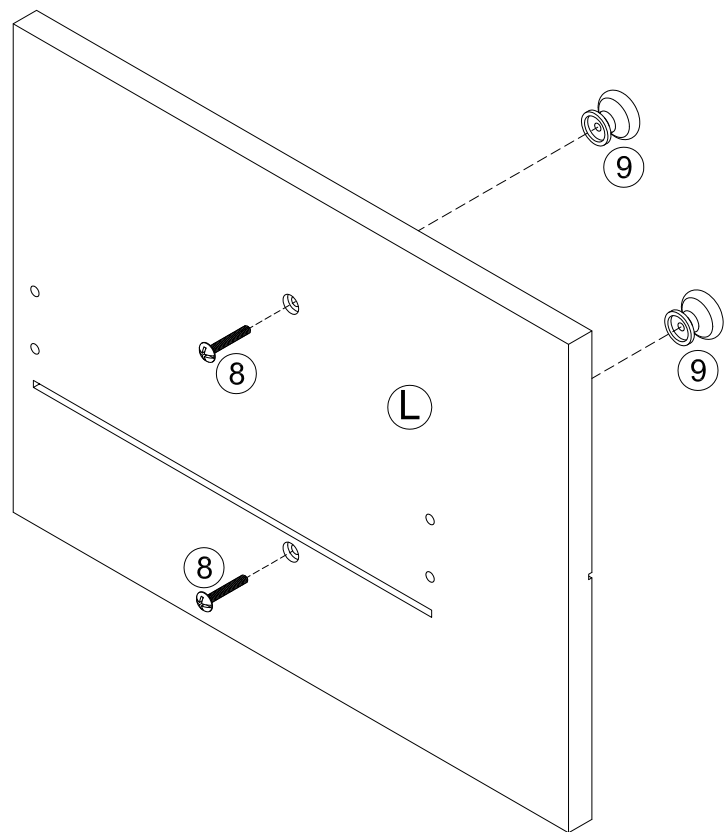
7  4pcs
Ø6x33mm




STEP 12

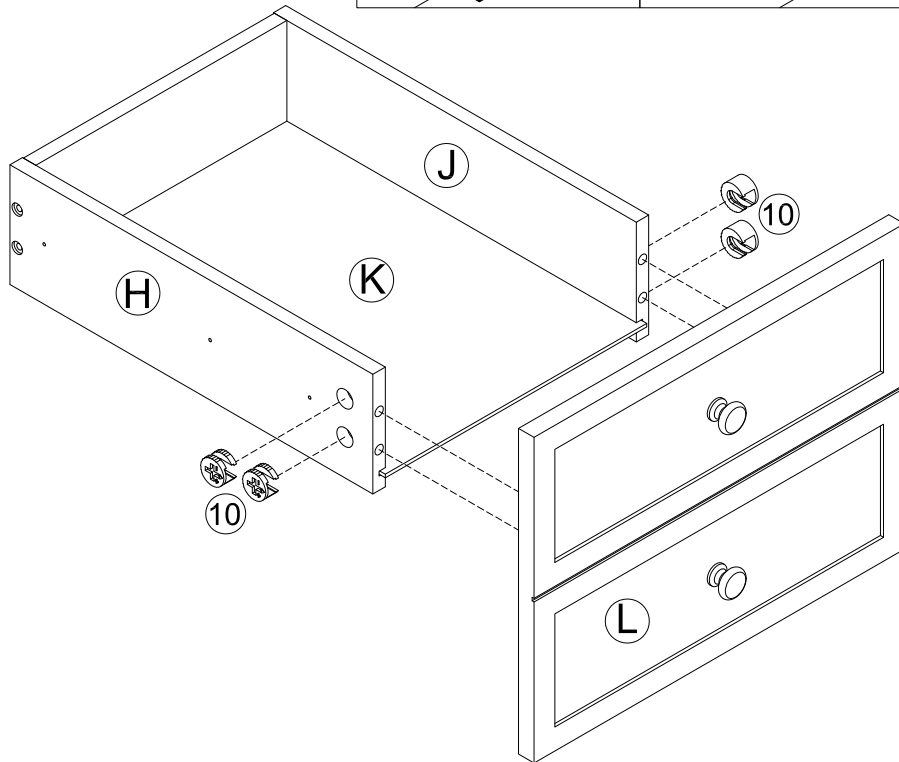
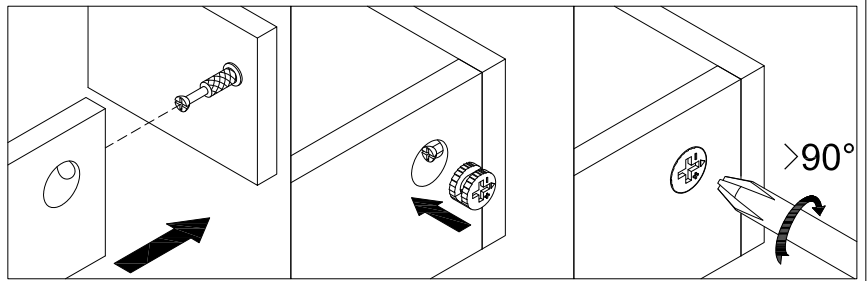
8  2pcs
5/32"x18mm

9  2pcs

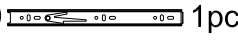


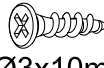
STEP 13

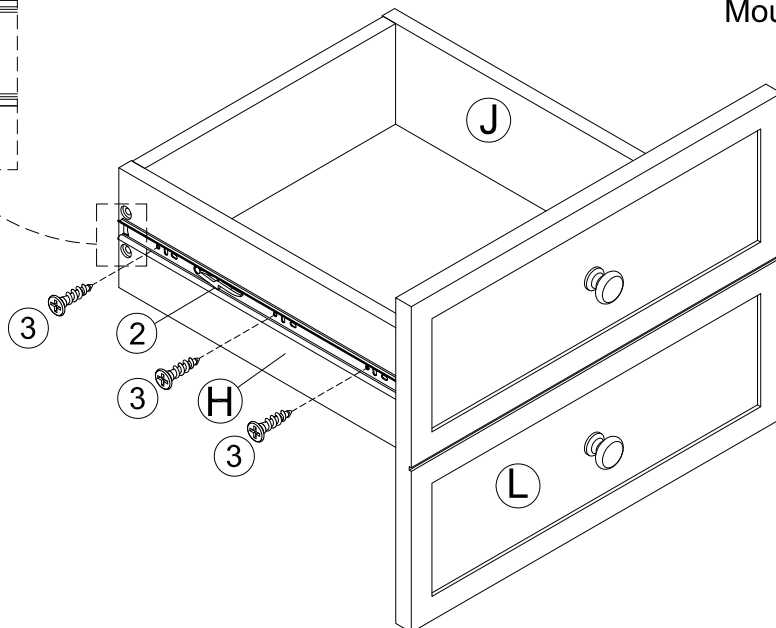
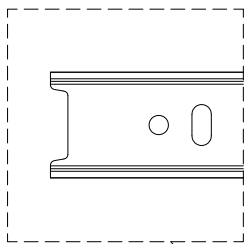
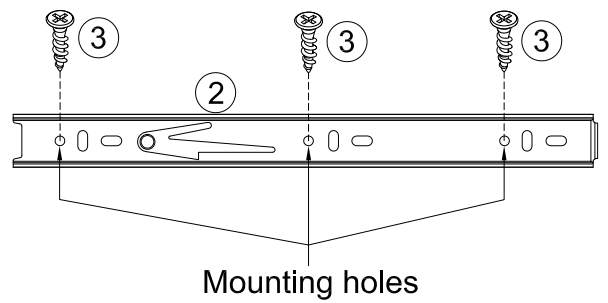
⑩  4pcs
Ø15x9mm



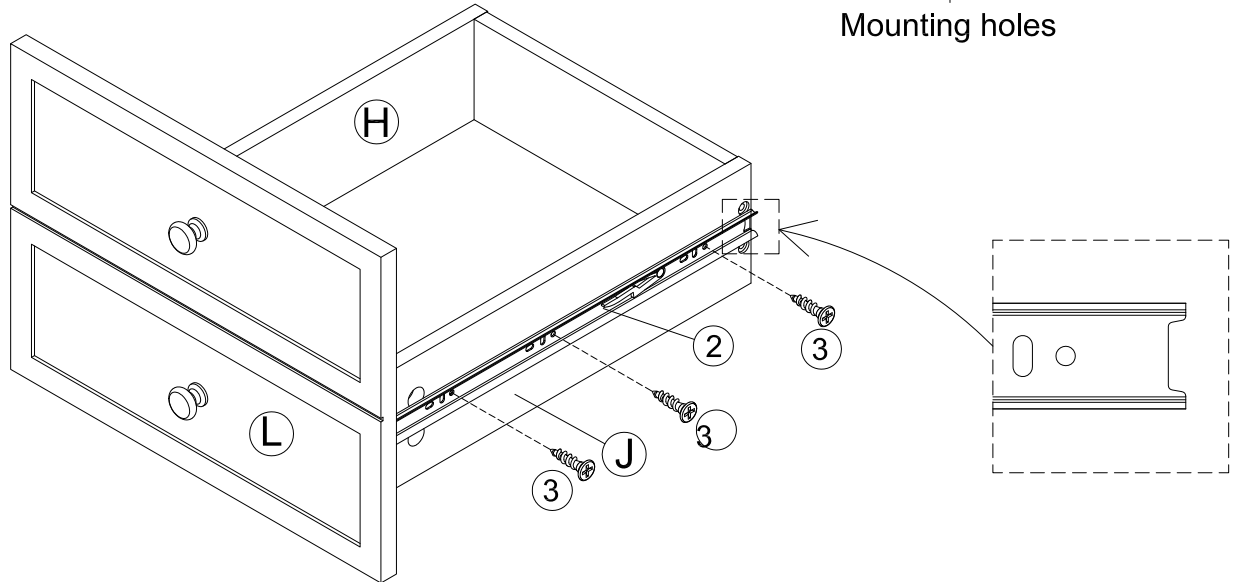
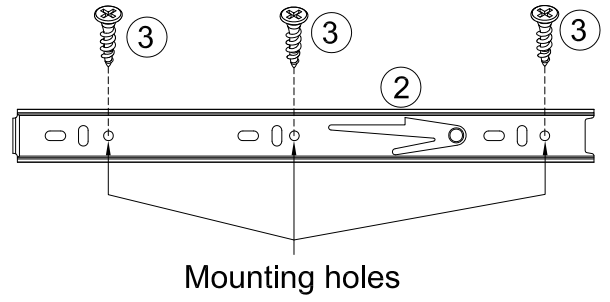
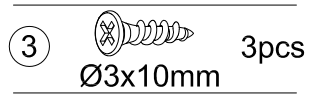
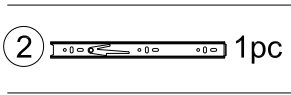
STEP 14

②  1pc

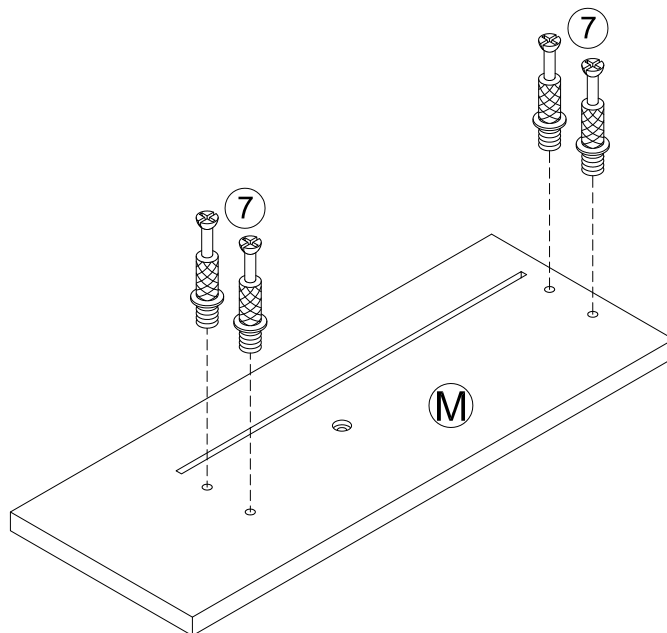
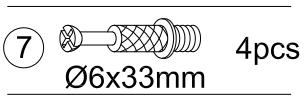
③  3pcs
Ø3x10mm




STEP 15




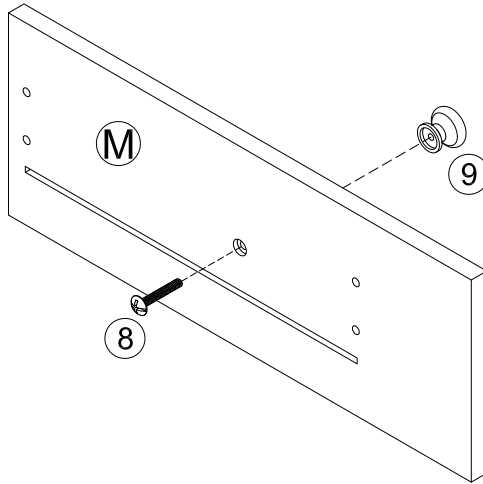
STEP 16



STEP 17

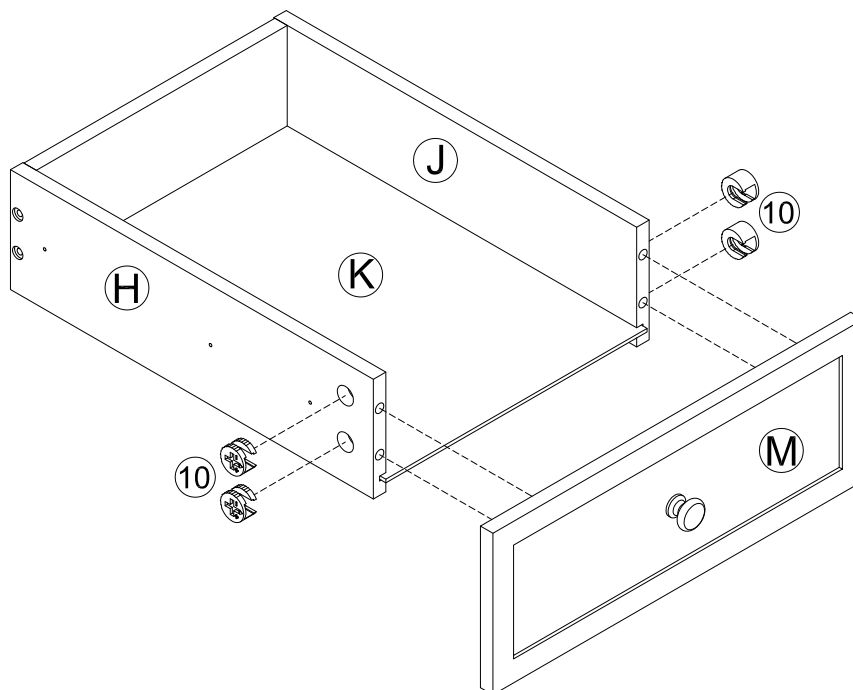
⑧  1pc
5/32"x18mm

⑨  1pc

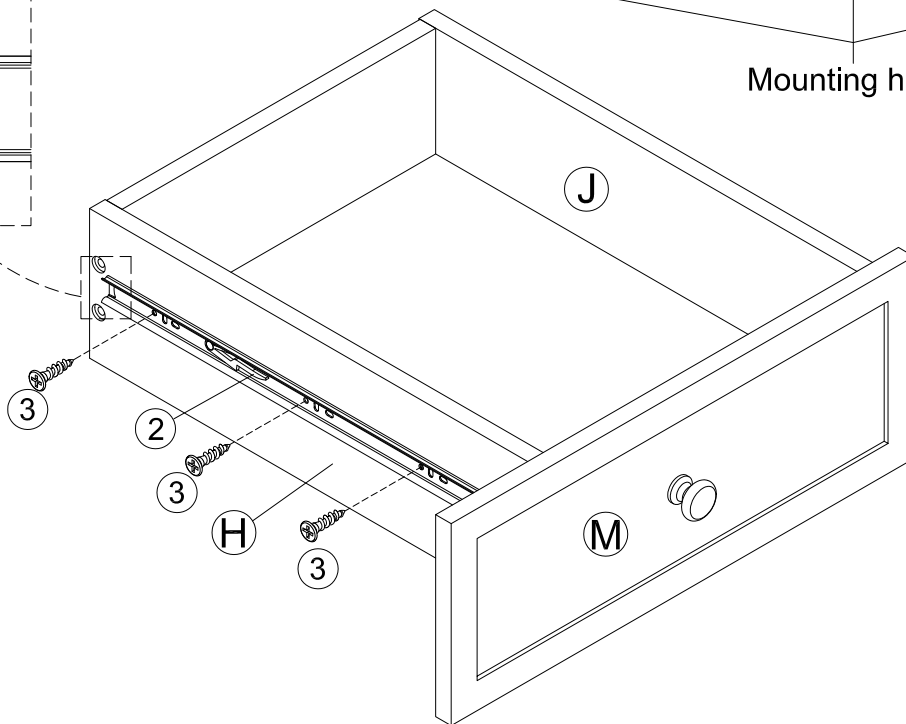
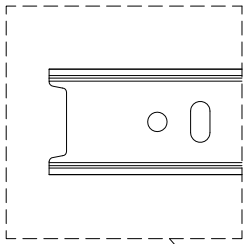
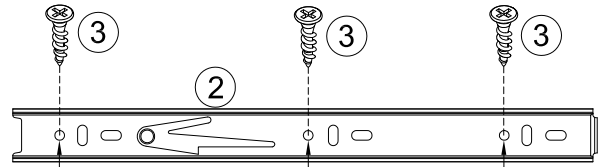
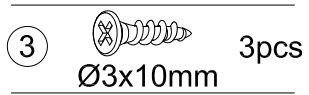
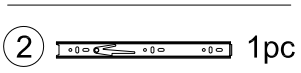


STEP 18

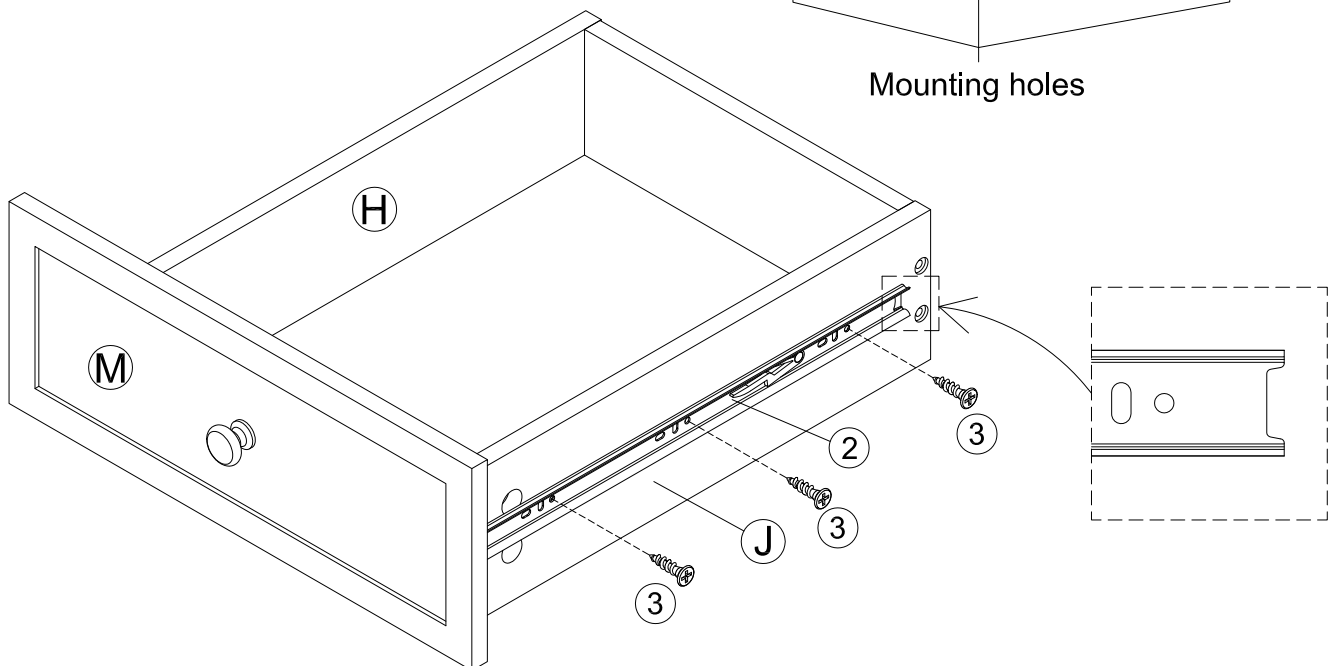
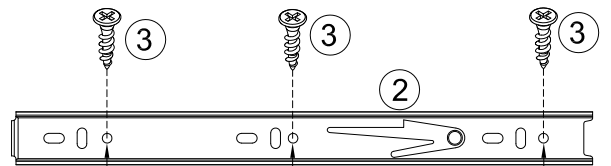
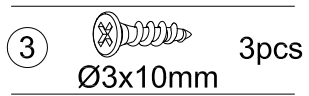
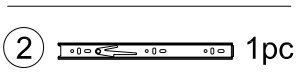
⑩  4pcs
Ø15x9mm



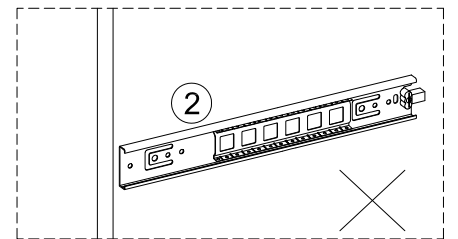
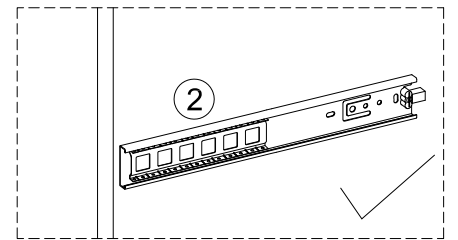
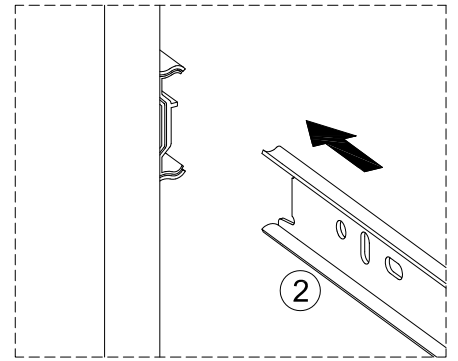
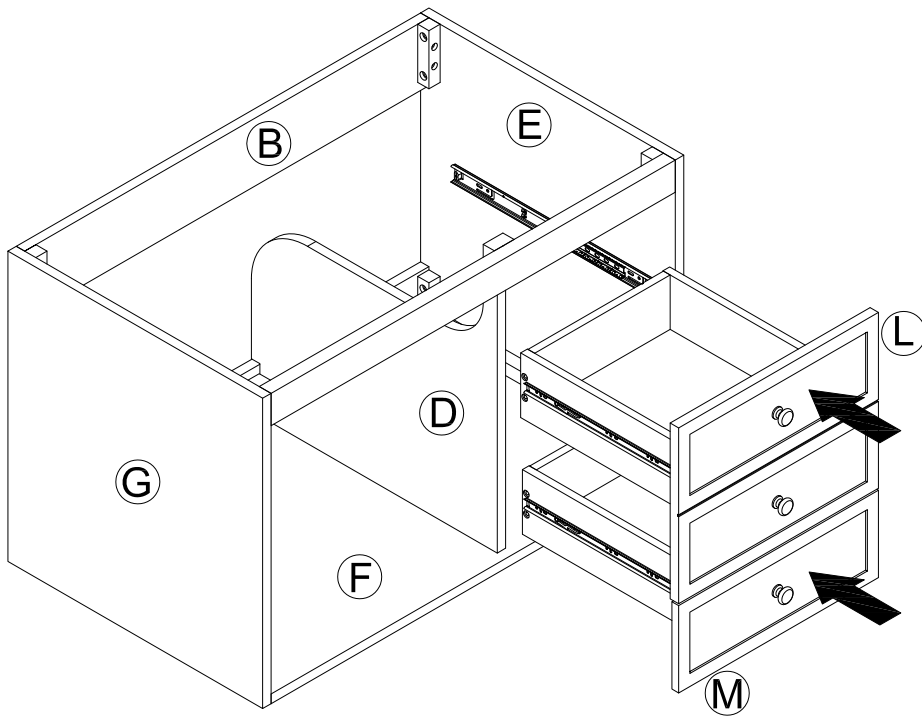
STEP 19



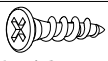
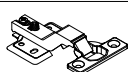
STEP 20

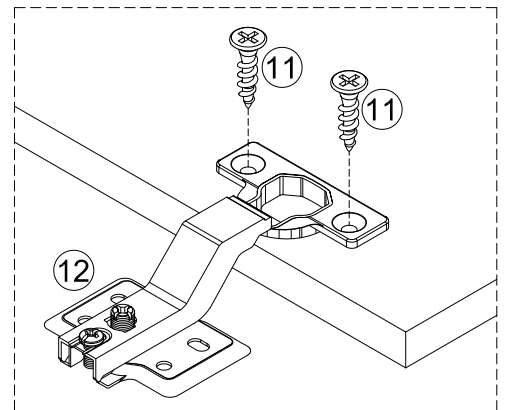
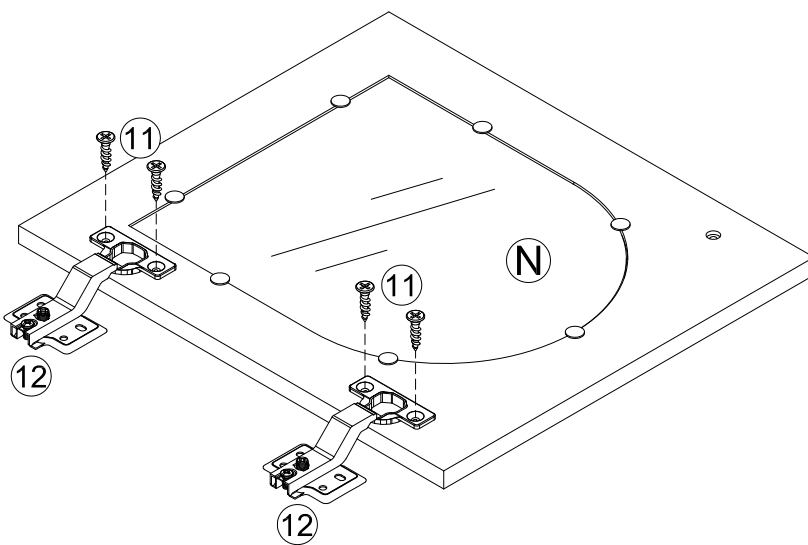


STEP 21




STEP 22

- ①①  4pcs $\text{Ø}4 \times 12\text{mm}$ ①②  2pcs

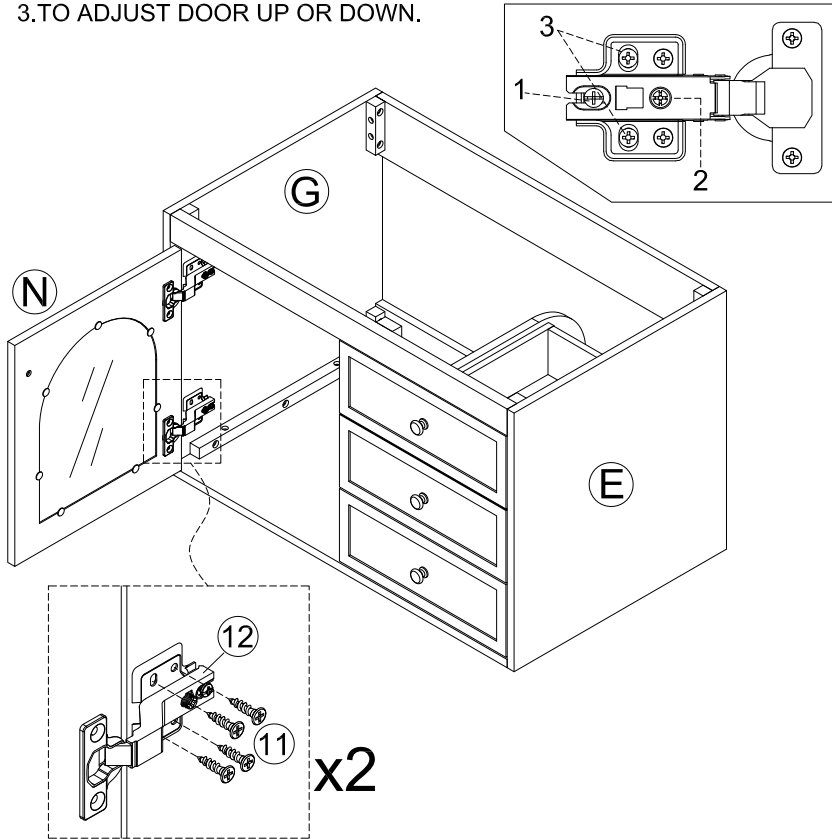
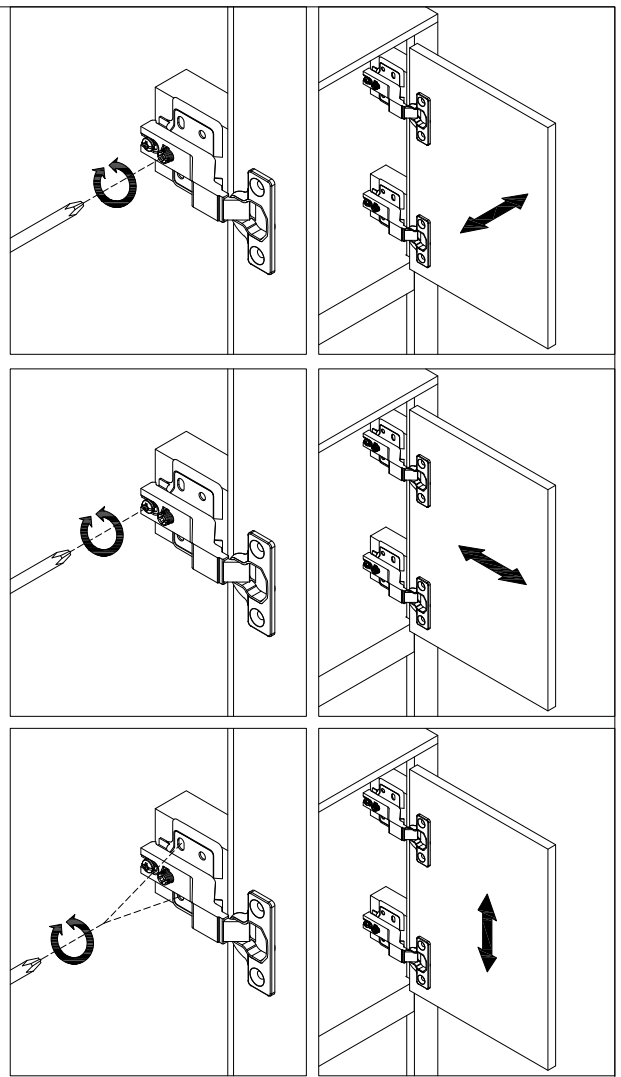


STEP 23

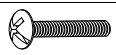
⑪  8pcs
 Ø4x12mm


Three-way adjustable hinge for perfectly aligned doors

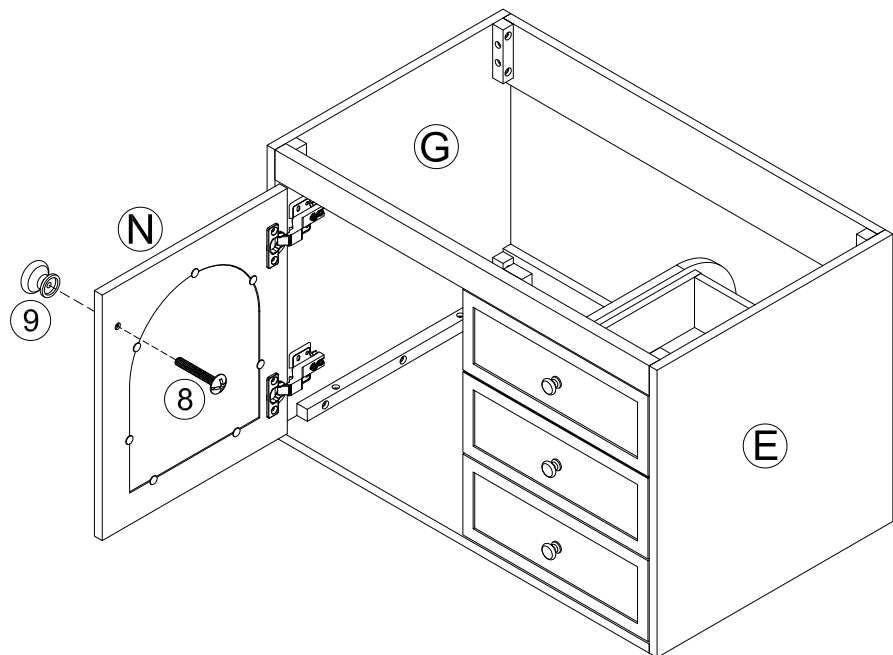
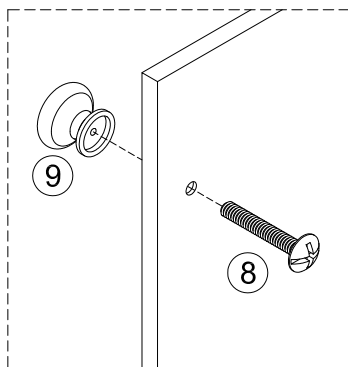
- 1. TO ADJUST DOOR FORWARD OR BACKWARD.
- 2. TO ADJUST DOOR TO RIGHT OR TO LEFT.
- 3. TO ADJUST DOOR UP OR DOWN.



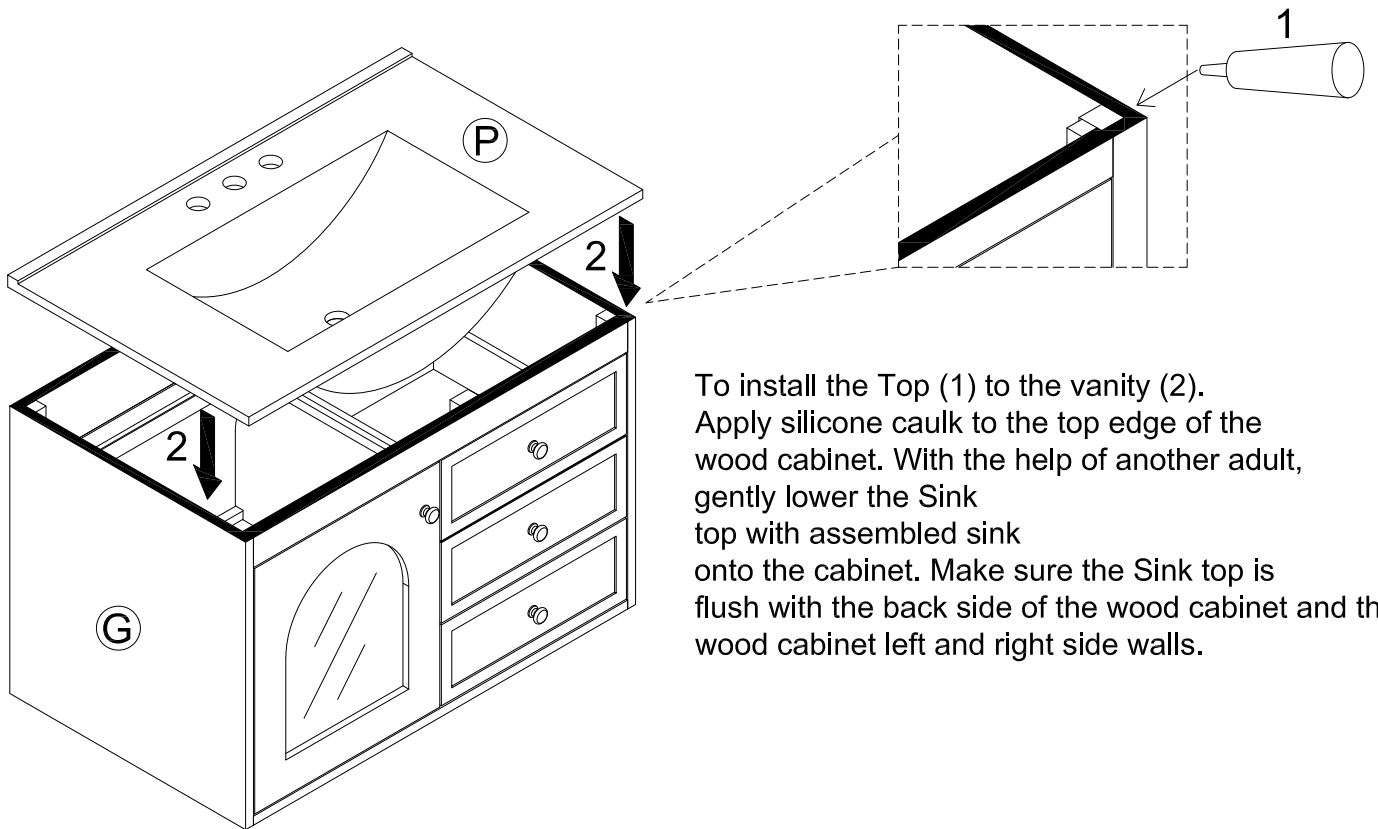
STEP 24

⑧  1pc
 5/32"x18mm

⑨  1pc



STEP 27



To install the Top (1) to the vanity (2). Apply silicone caulk to the top edge of the wood cabinet. With the help of another adult, gently lower the Sink top with assembled sink onto the cabinet. Make sure the Sink top is flush with the back side of the wood cabinet and the wood cabinet left and right side walls.

STEP 28

