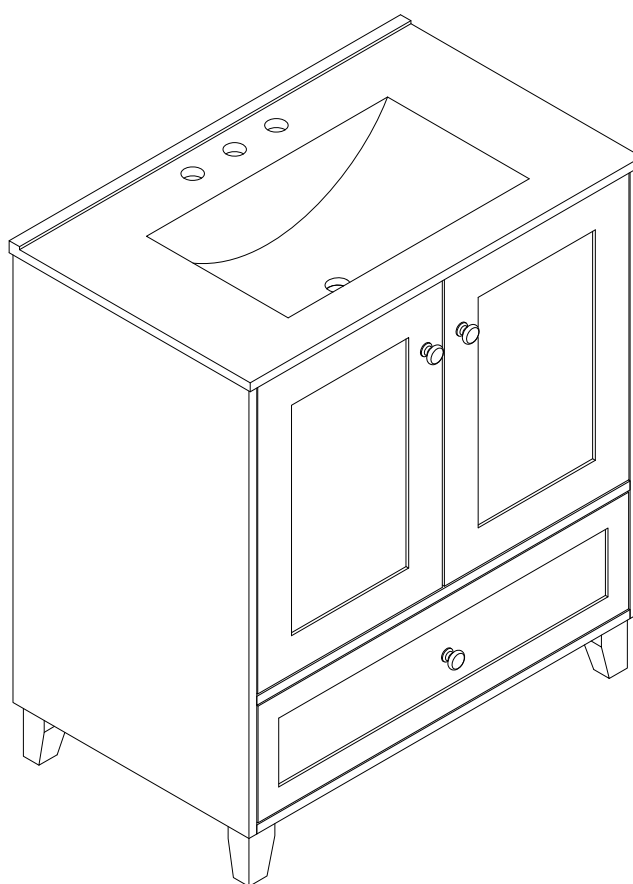
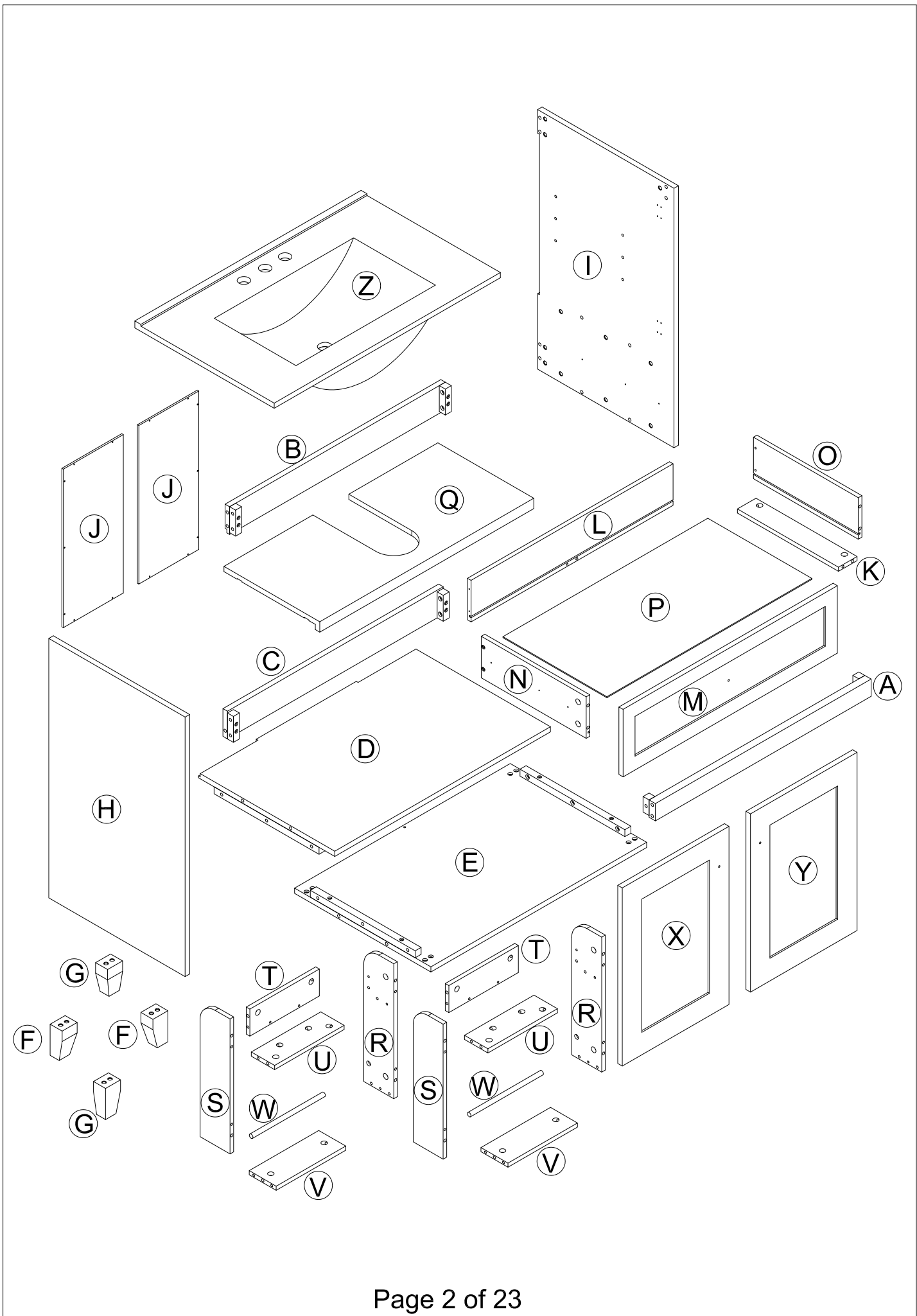
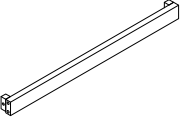
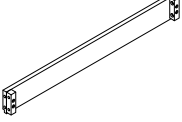
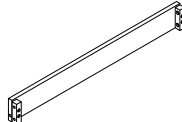
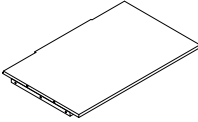
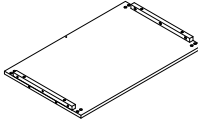
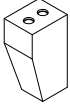
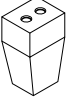
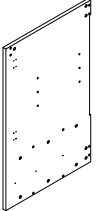
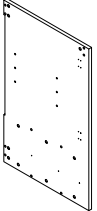

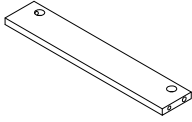
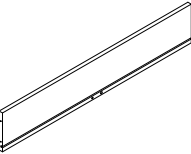
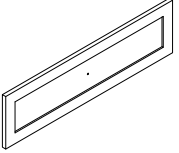
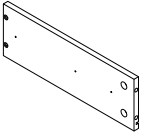
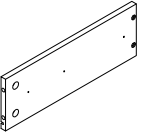
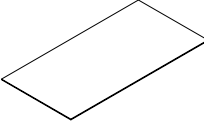
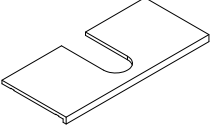


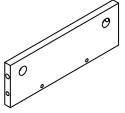
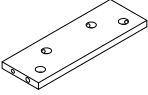
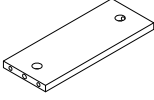
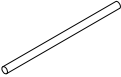
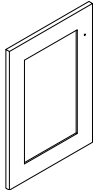
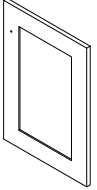
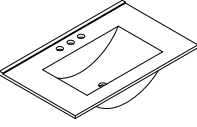


ASSEMBLY INSTRUCTIONS
BATHROOM VANITY
WF319793

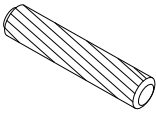
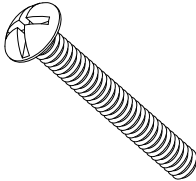
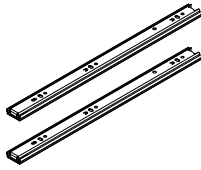

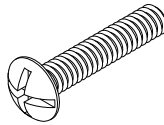
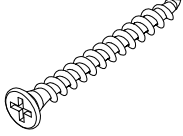
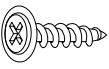
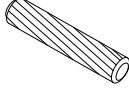
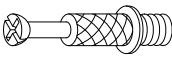
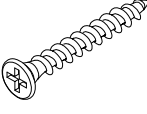
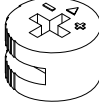

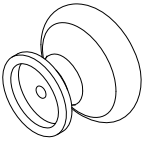
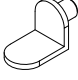

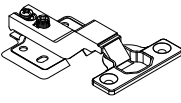




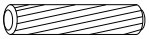
PRODUCT PARTS:

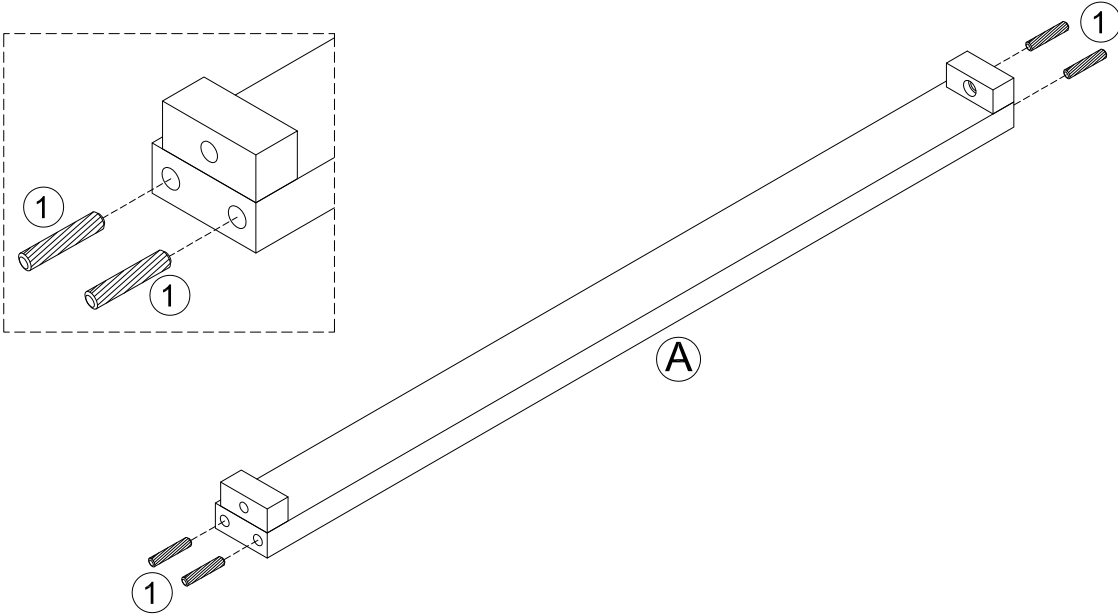
A	B	C	D	E	F
					
1PC	1PC	1PC	1PC	1PC	2PCS
G	H	I	J	K	L
					
2PCS	1PC	1PC	2PCS	1PC	1PC
M	N	O	P	Q	R
					
1PC	1PC	1PC	1PC	1PC	2PCS
S	T	U	V	W	X
					
2PCS	2PCS	2PCS	2PCS	2PCS	1PC
Y	Z				
					
1PC	1PC				

HARDWARE:

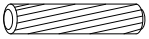
①	②	③	④	⑤	⑥
					
Ø8x30mm	1/4"x40mm	14"x35mm	Ø3x10mm	1/4"x25mm	Ø4x35mm
20+2 PCS	8 PCS	1 SET	12+1 PCS	22+2 PCS	1 PC
⑦	⑧	⑨	⑩	⑪	⑫
					
Ø3x12mm	Ø6x30mm	Ø6x33mm	Ø4x25mm	Ø15x9mm	5/32"x18mm
14+2PCS	26+2PCS	30+2PCS	4PCS	30+2PCS	3PCS
⑬	⑭	⑮	⑯		
					
Ø4x12mm		Ø4x12mm			
3PCS	4PCS	24+2PCS	4PCS		

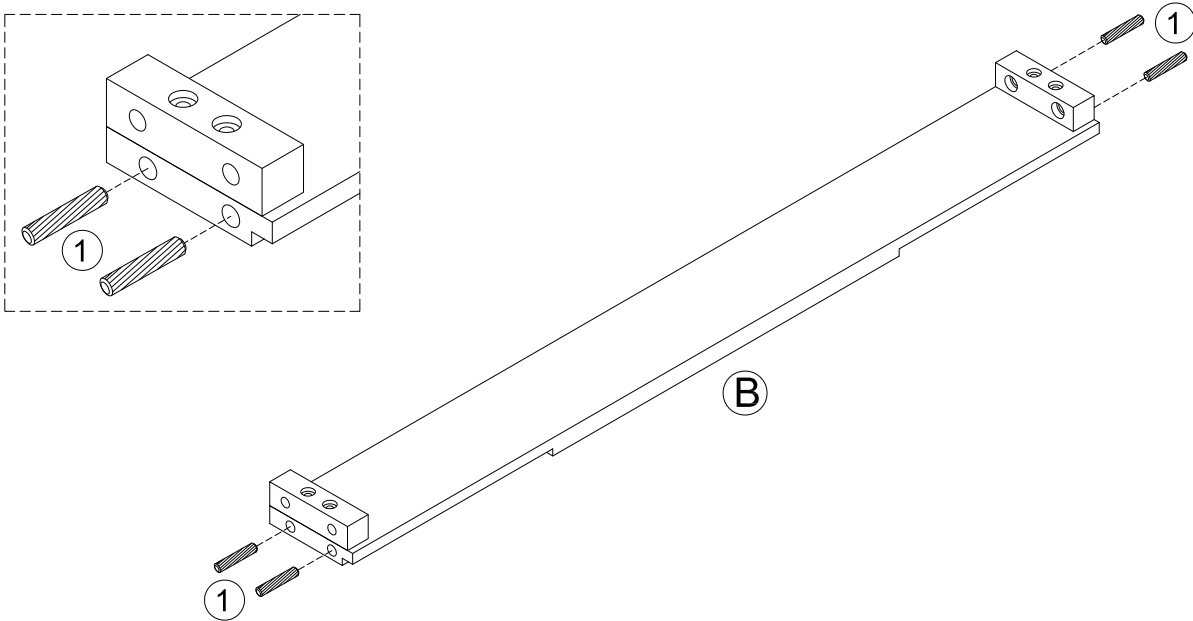
STEP 1

①  4pcs
Ø8x30mm




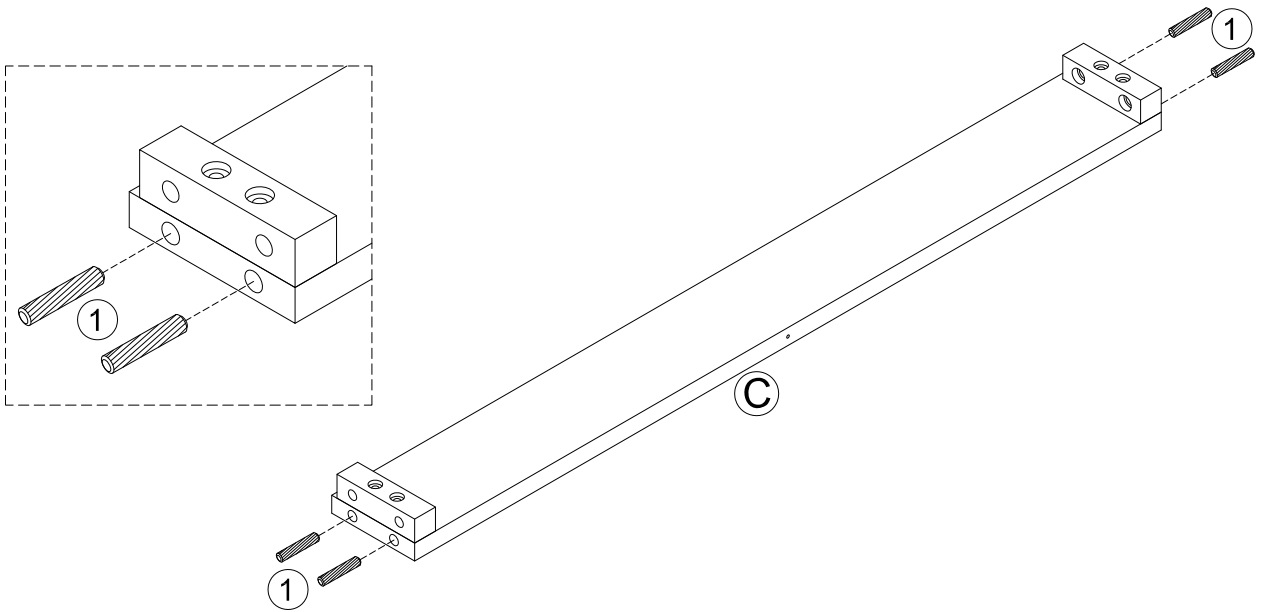
STEP 2

①  4pcs
Ø8x30mm




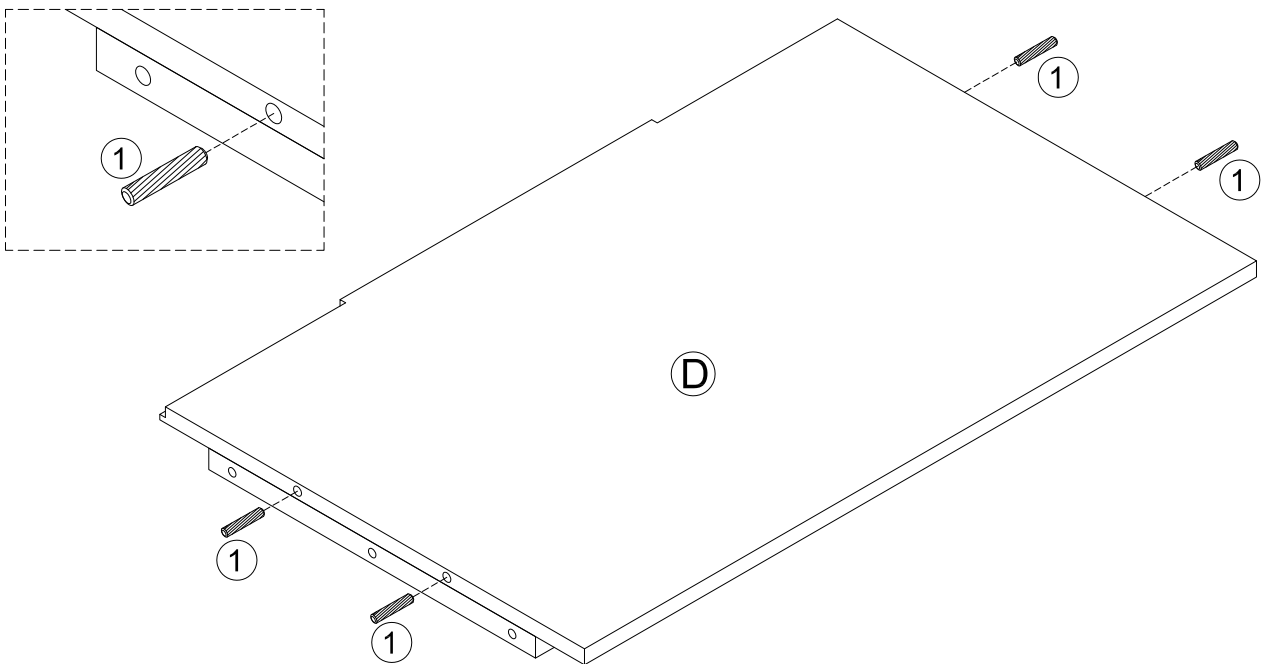
STEP 3

①  4pcs
Ø8x30mm

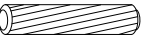


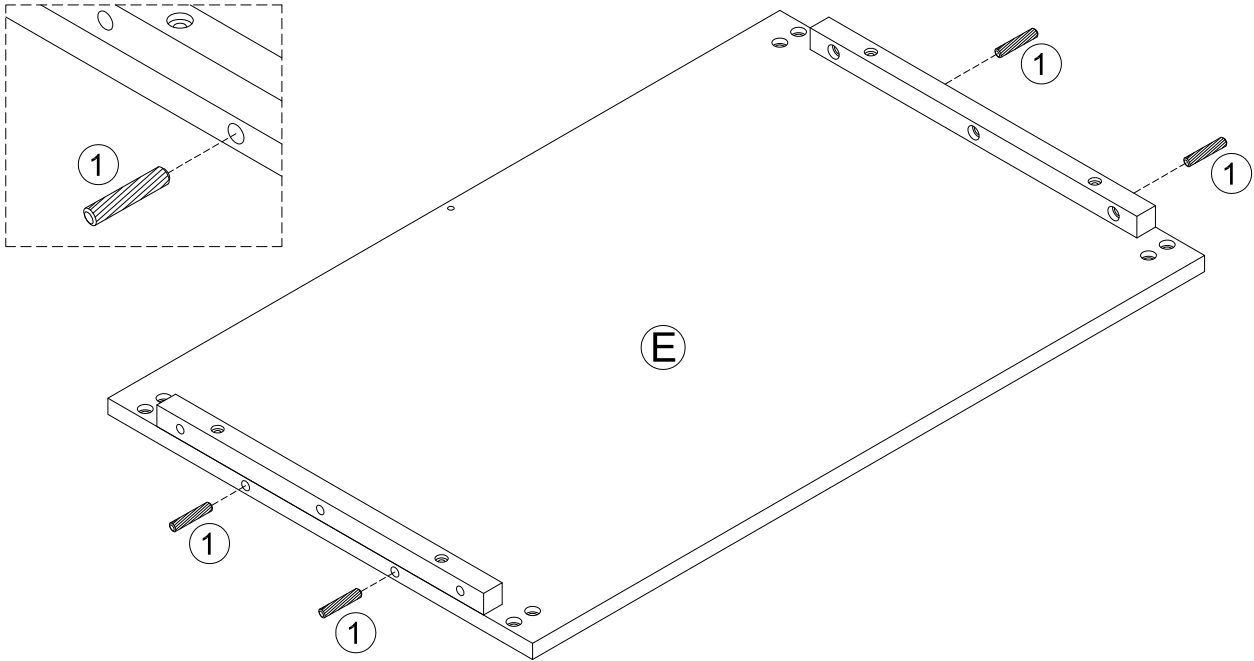
STEP 4

①  4pcs
Ø8x30mm




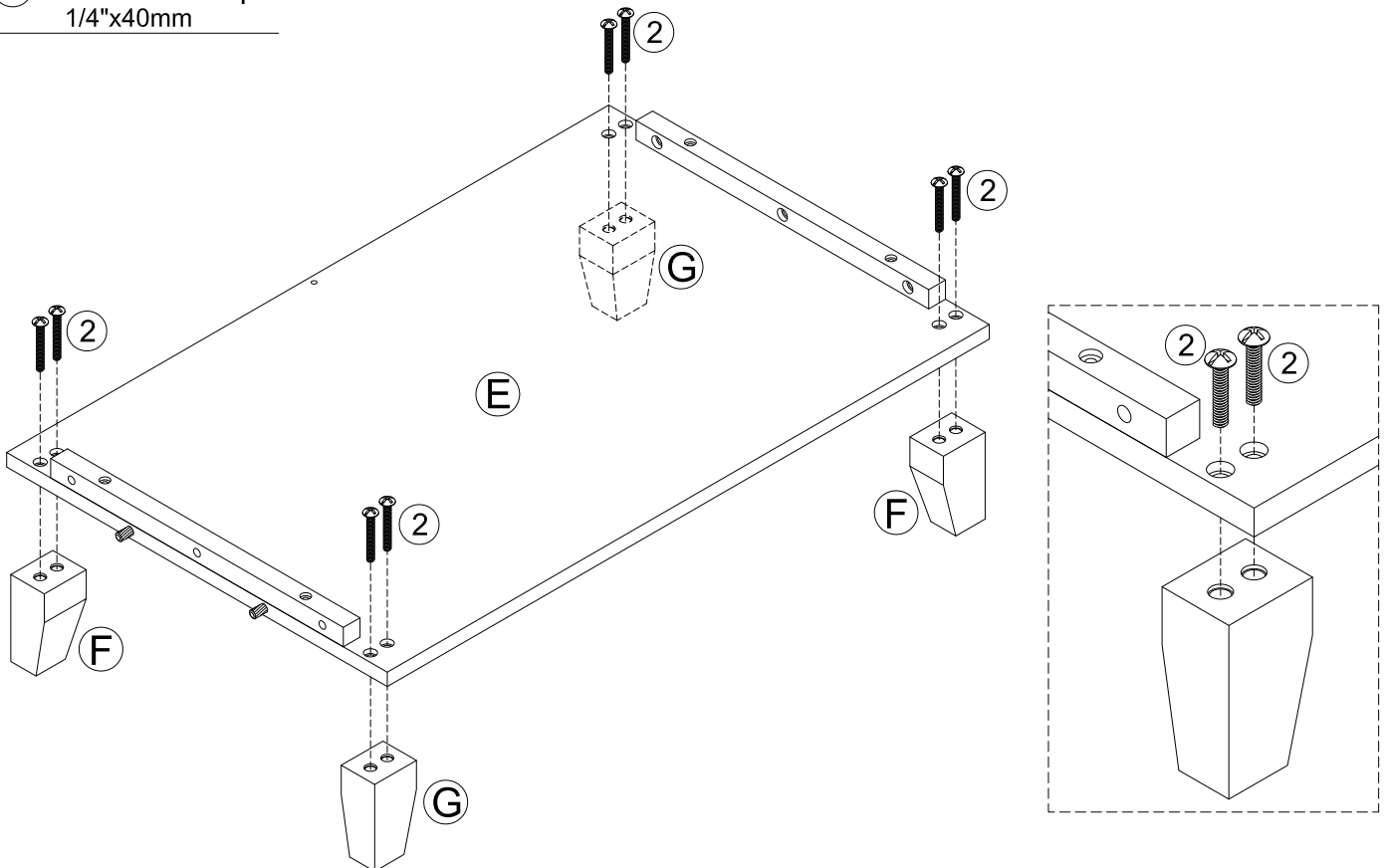
STEP 5

- ①  4pcs
Ø8x30mm

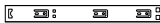


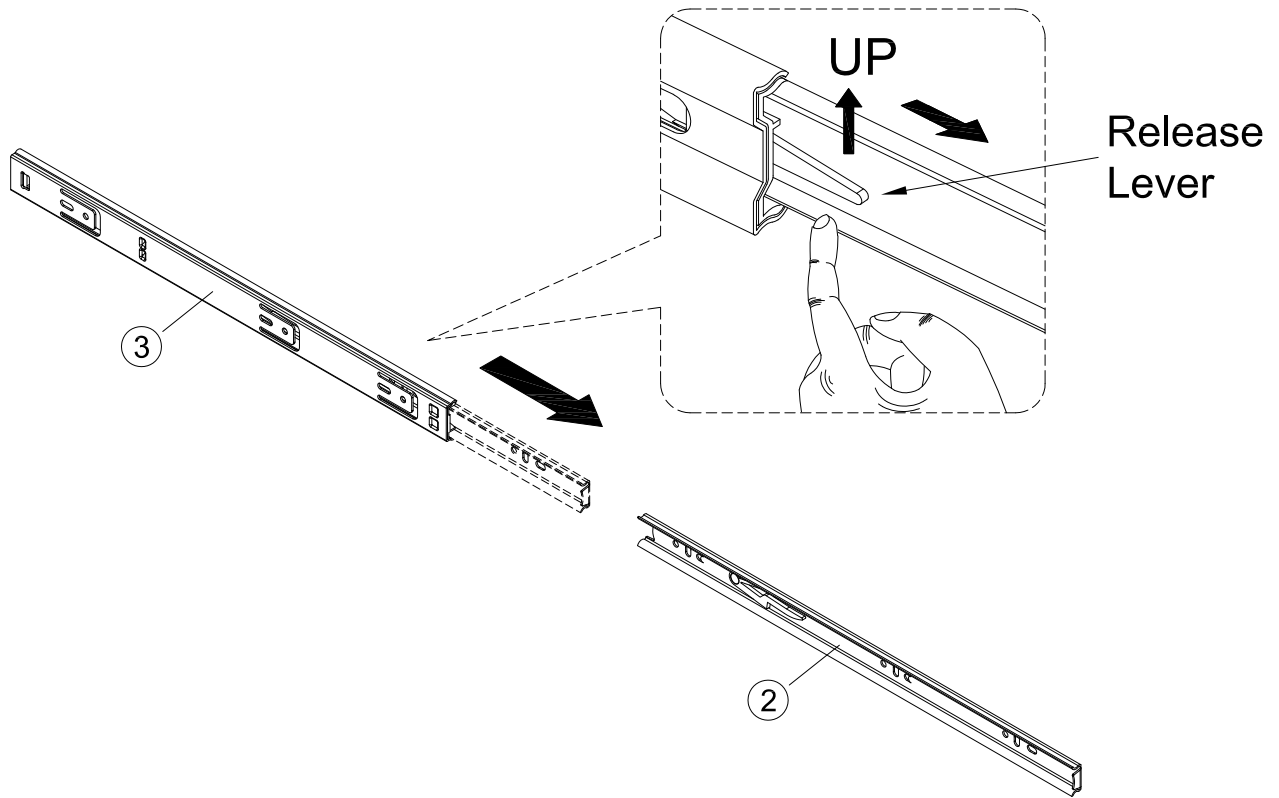
STEP 6

- ②  8pcs
1/4"x40mm

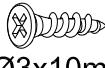



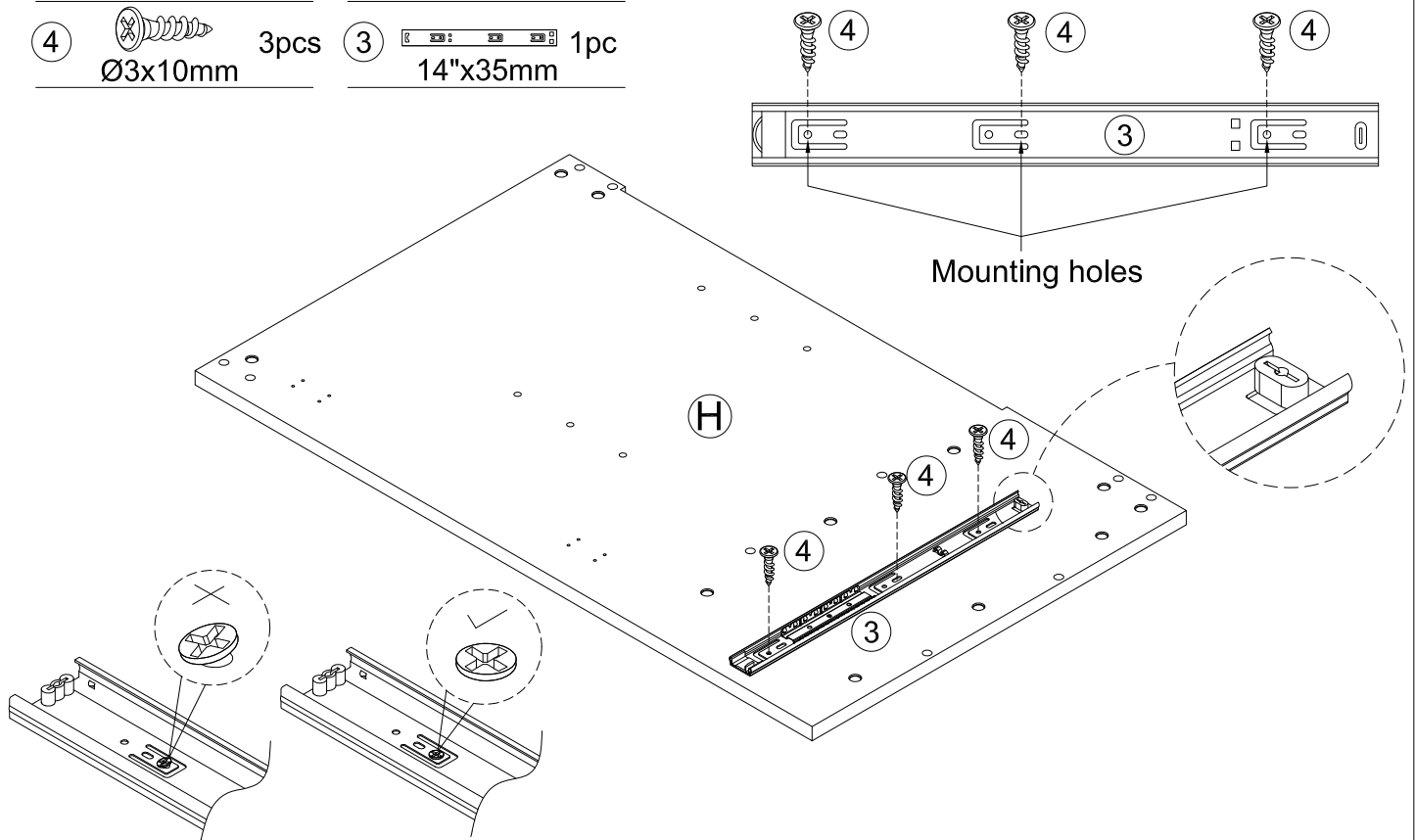
STEP 7

- ③  1SET
14"x35mm




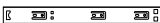
STEP 8

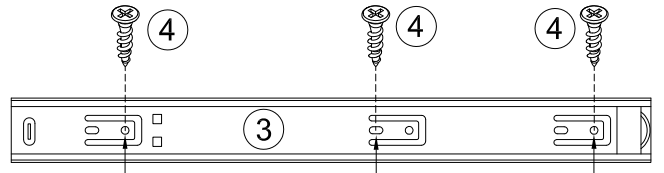
- ④  3pcs
Ø3x10mm
- ③  1pc
14"x35mm



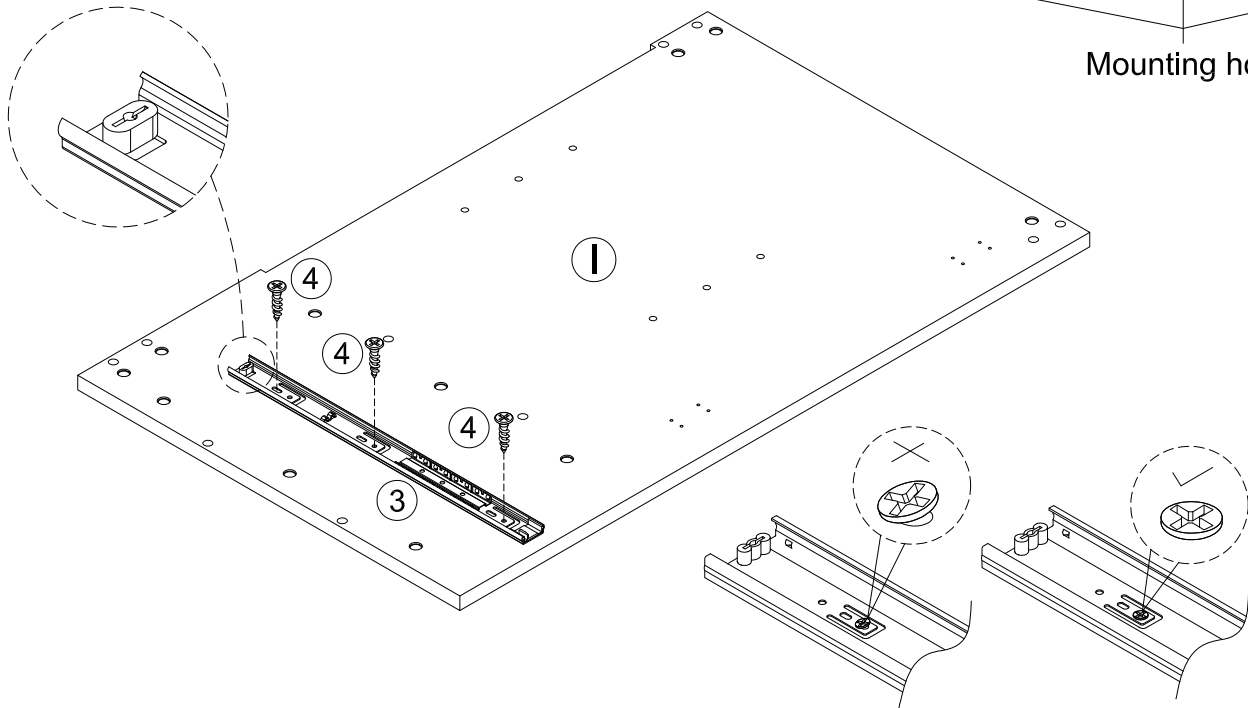
Please make sure that the screw is VERTICAL
so as not to affect the sliding of the drawer.

STEP 9

- ④  3pcs
Ø3x10mm
- ③  1pc
14"x35mm




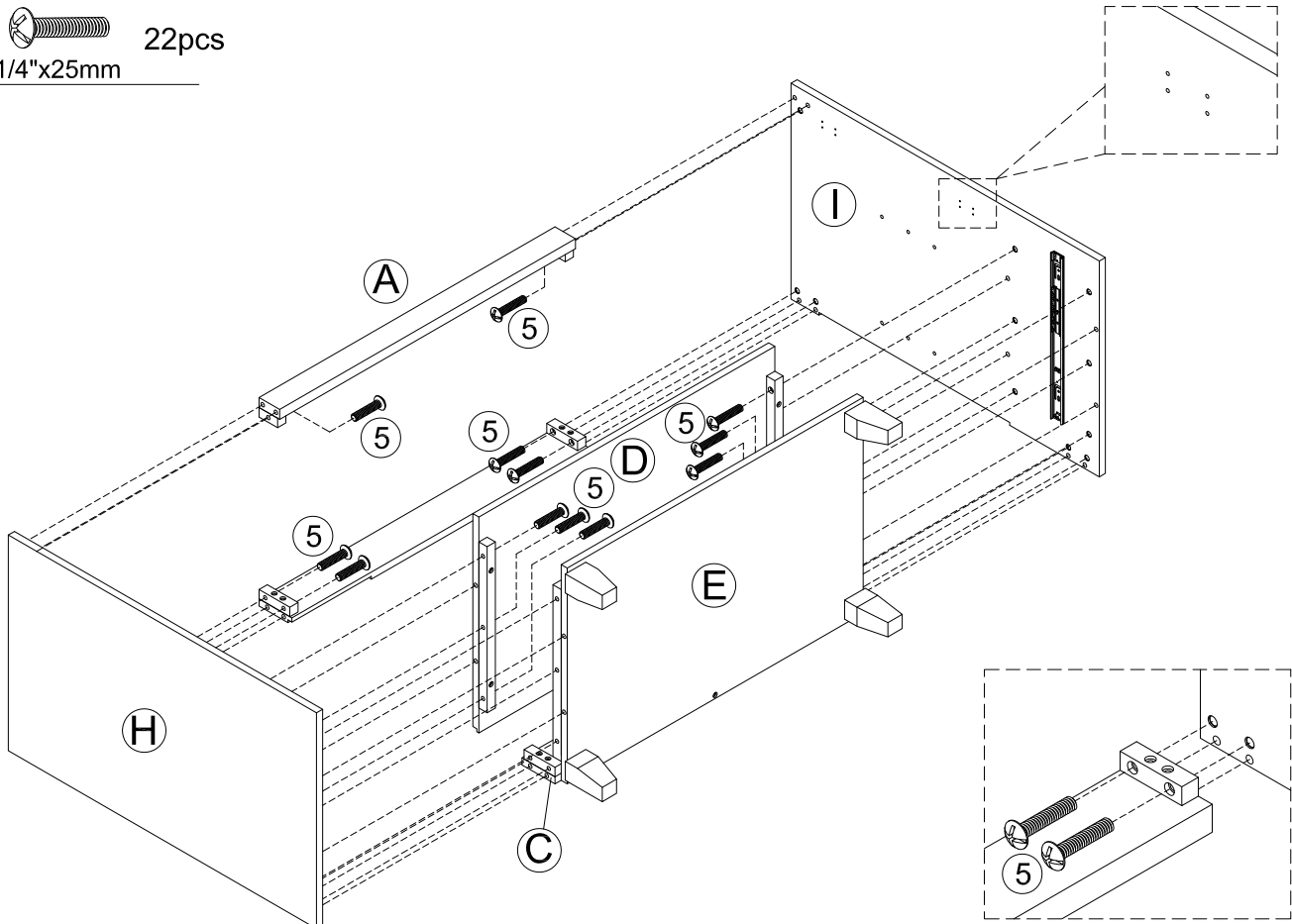
Mounting holes




Please make sure that the screw is VERTICAL so as not to affect the sliding of the drawer.

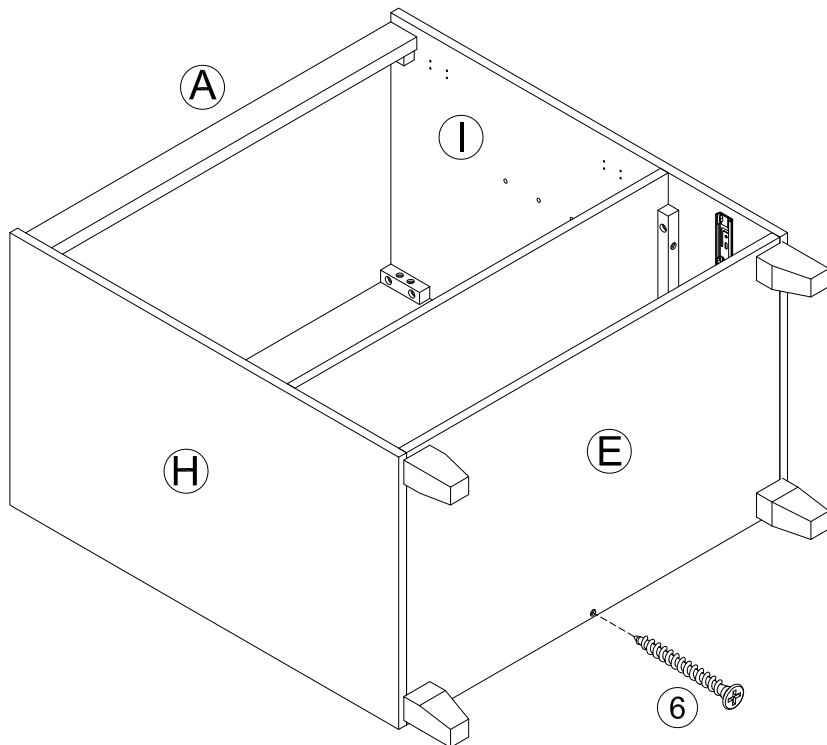
STEP 10

- ⑤  22pcs
1/4"x25mm




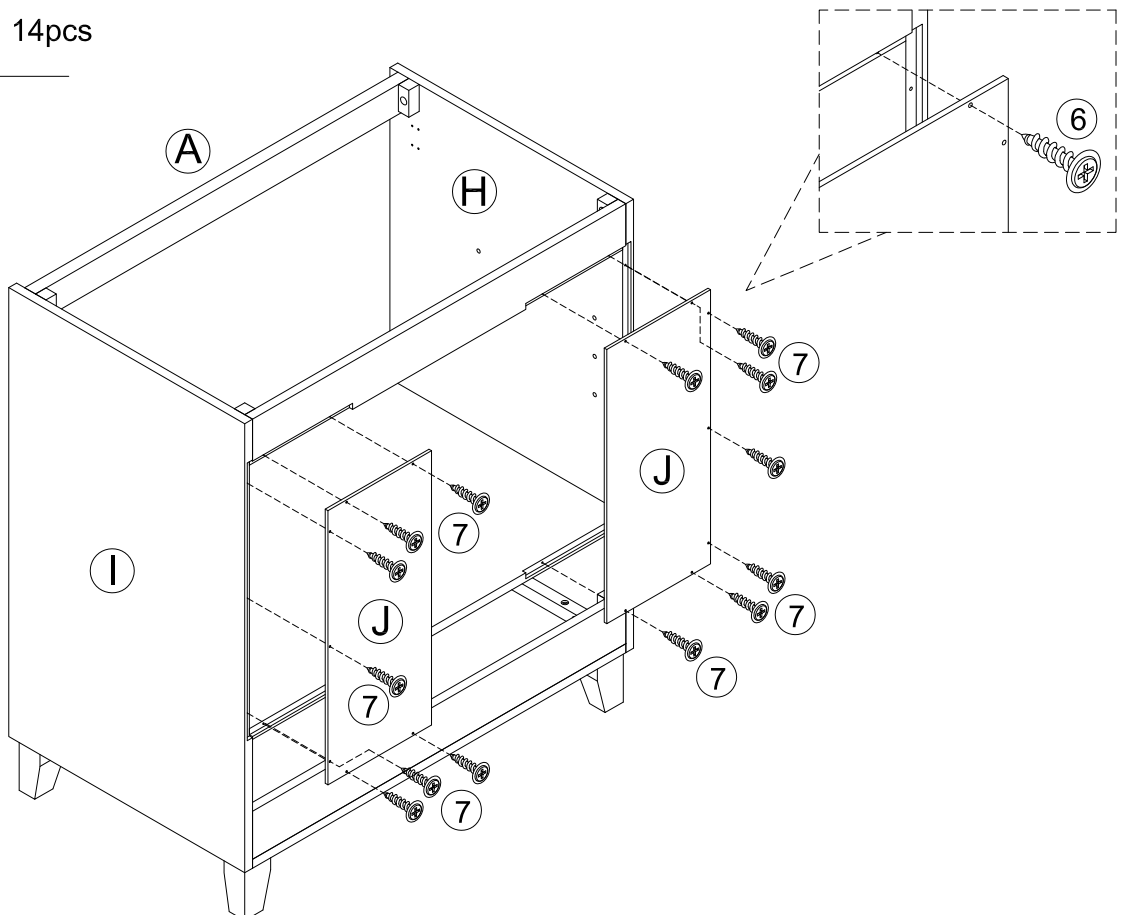
STEP 11

⑥  1pc
Ø4x35




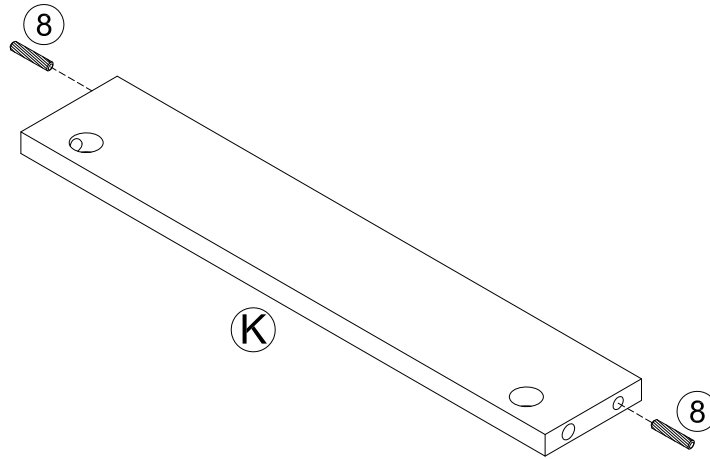
STEP 12

⑦  14pcs
Ø3x12mm




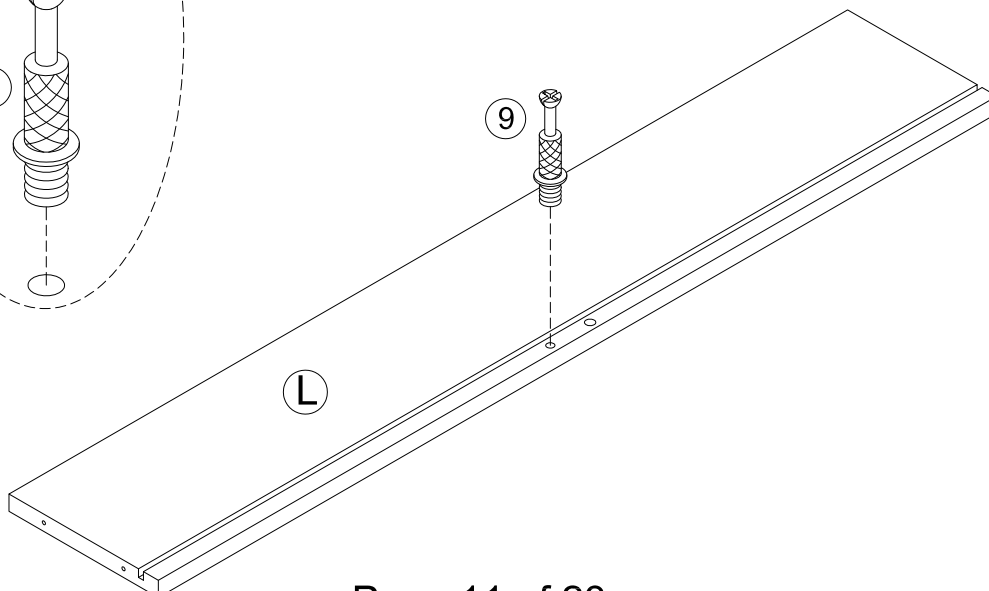
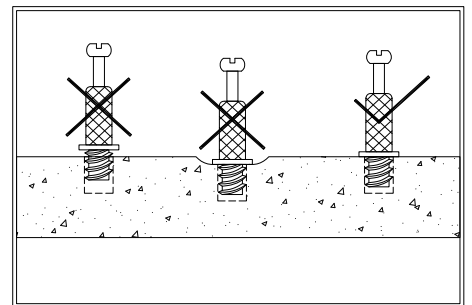
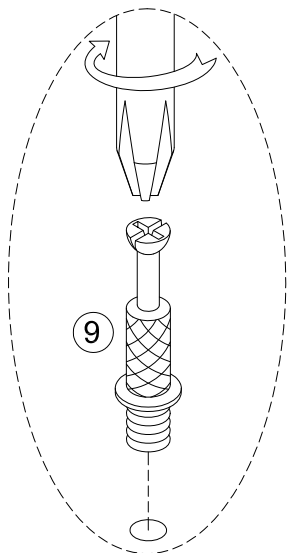
STEP 13

⑧  2pcs
Ø6x30mm




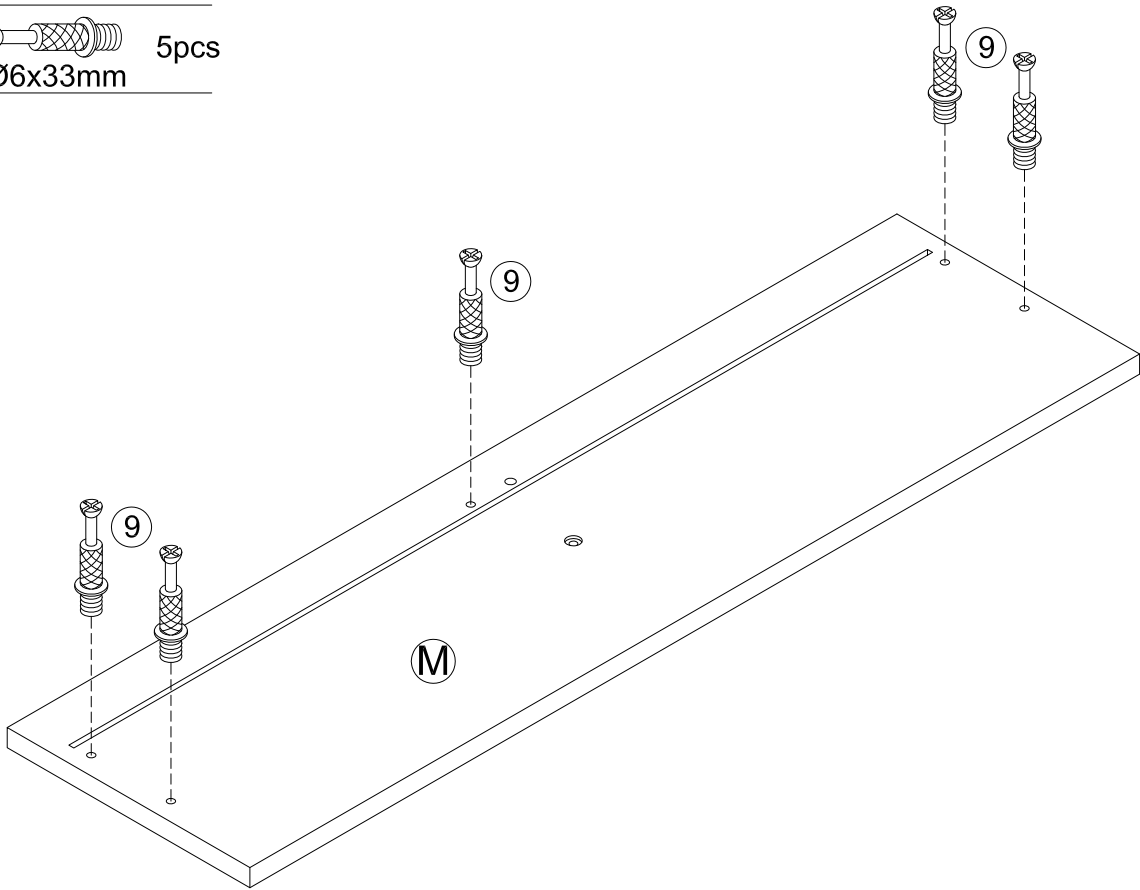
STEP 14

⑨  1pc
Ø6x33mm




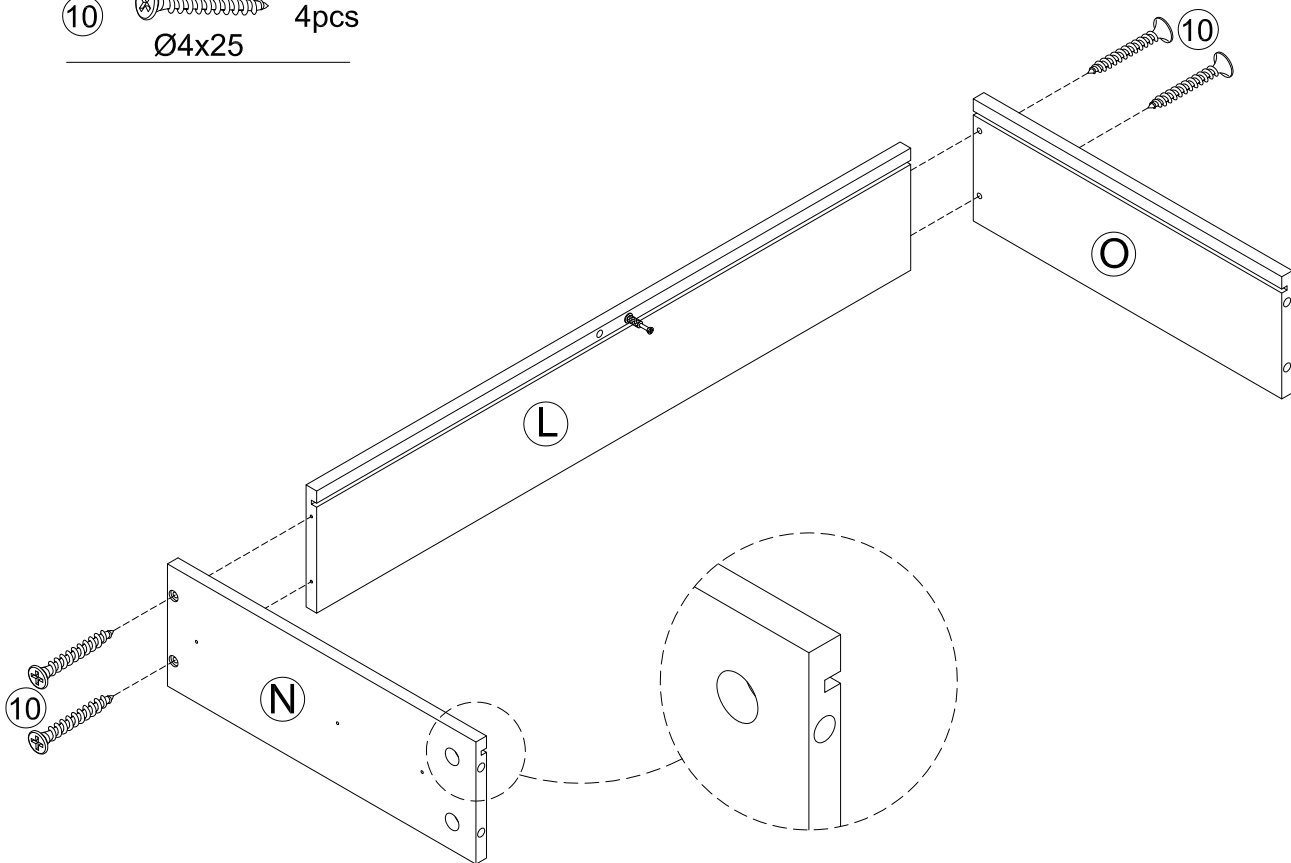
STEP 15

9  5pcs
Ø6x33mm

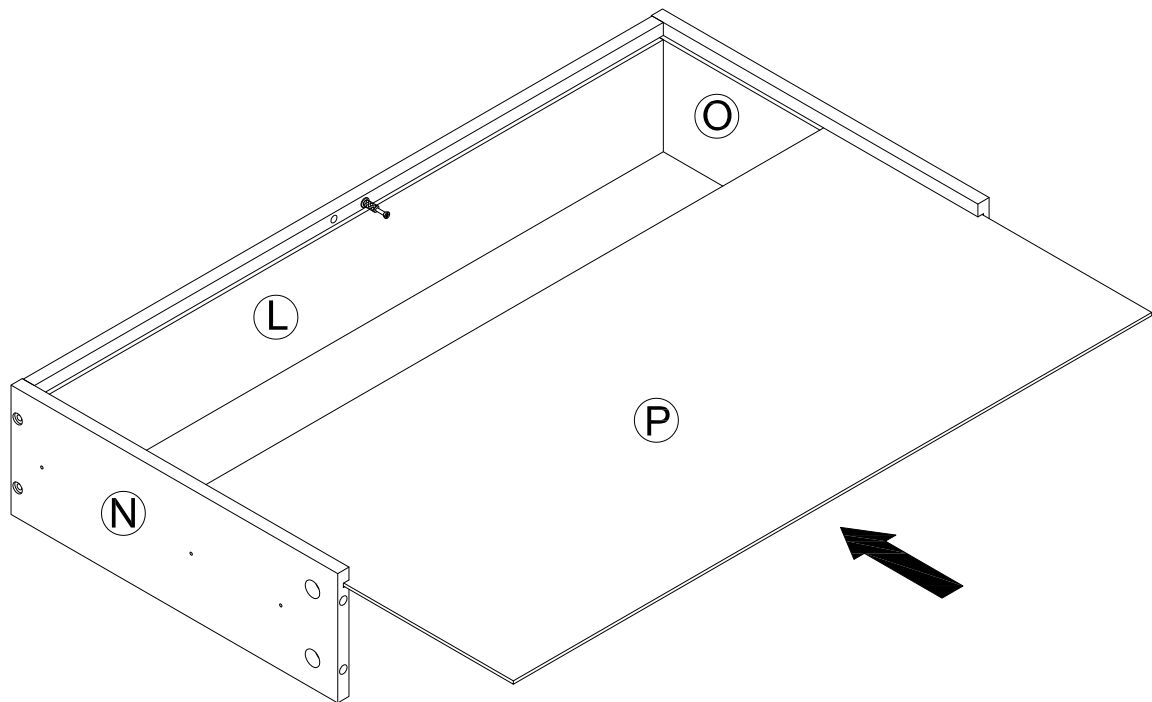


STEP 16


10  4pcs
Ø4x25

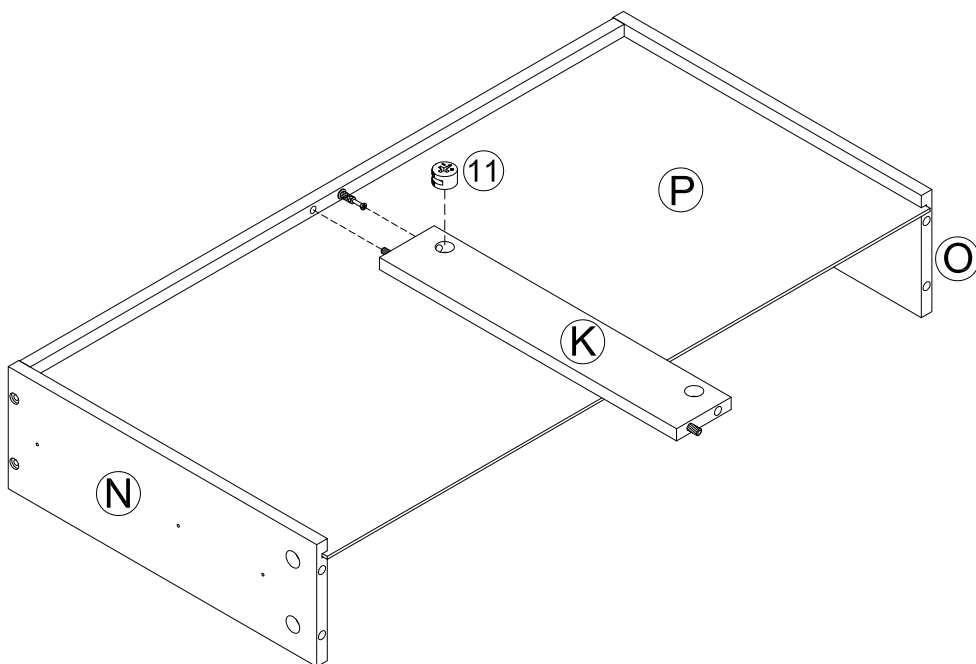
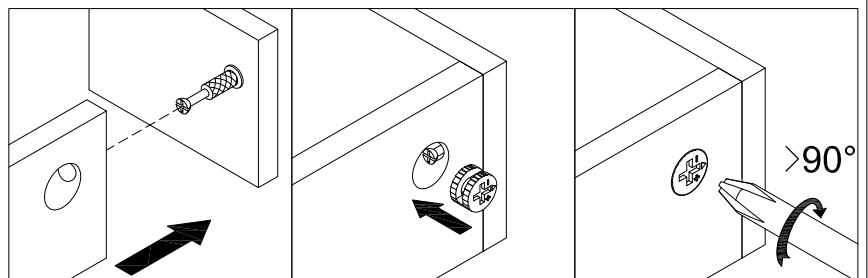


STEP 17




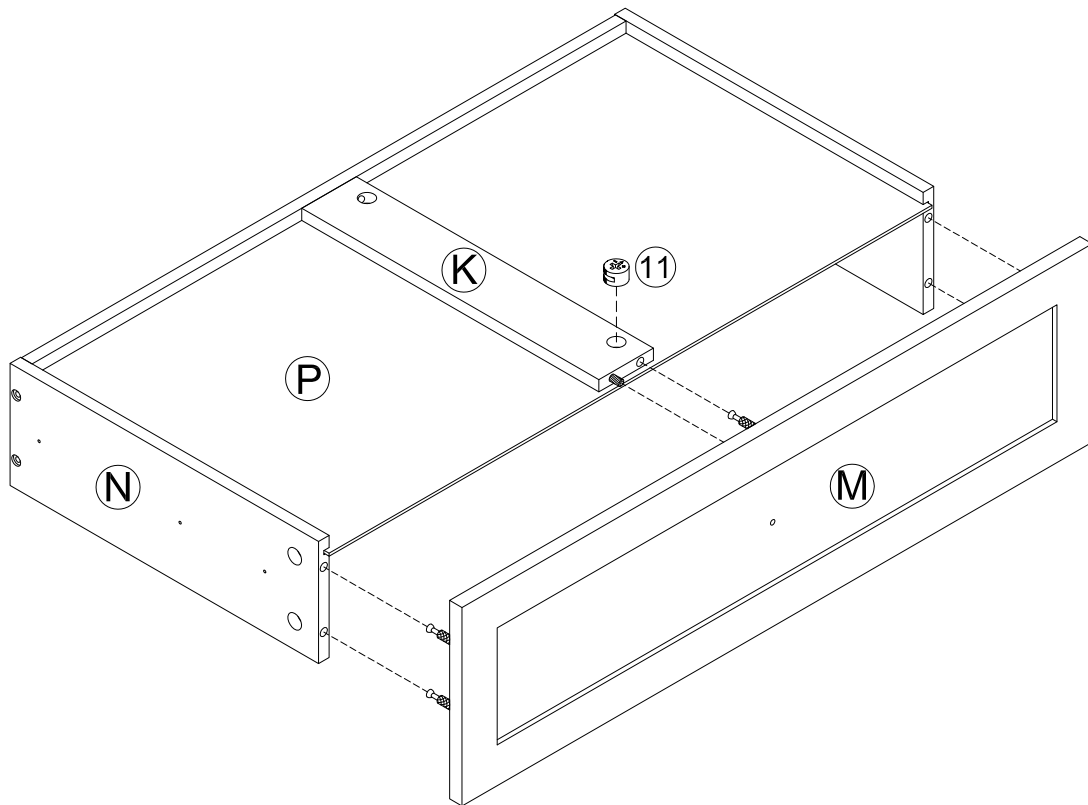
STEP 18

⑪  1pc
Ø15x9mm



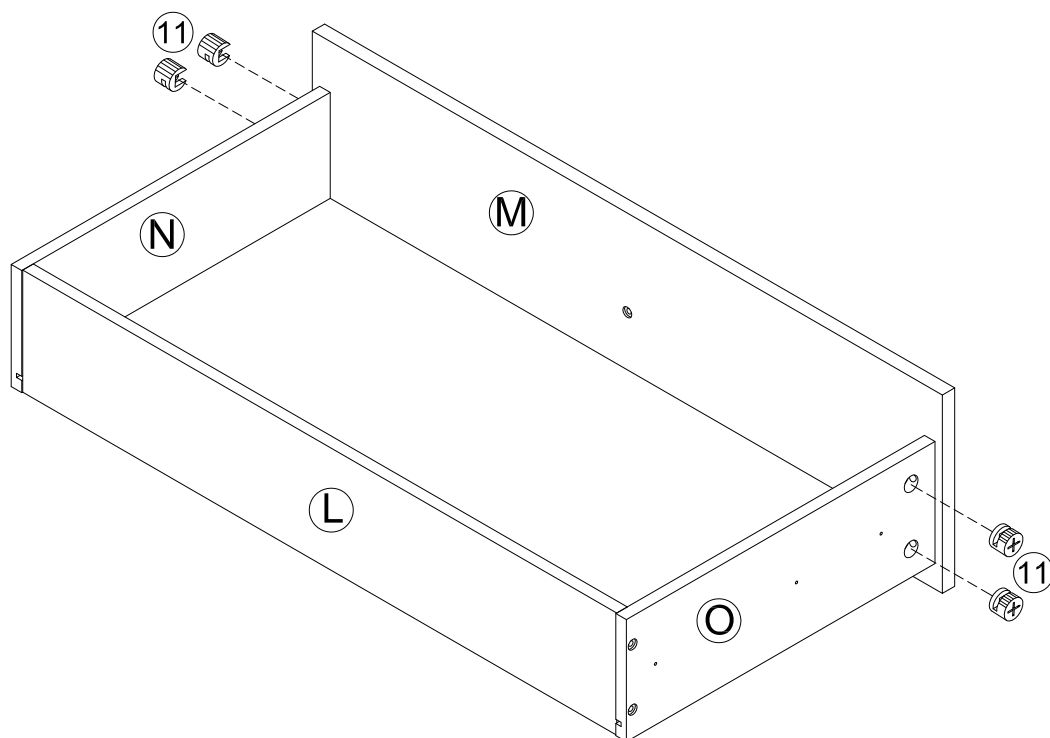
STEP 19

①①  1pc
Ø15x9mm



STEP 20

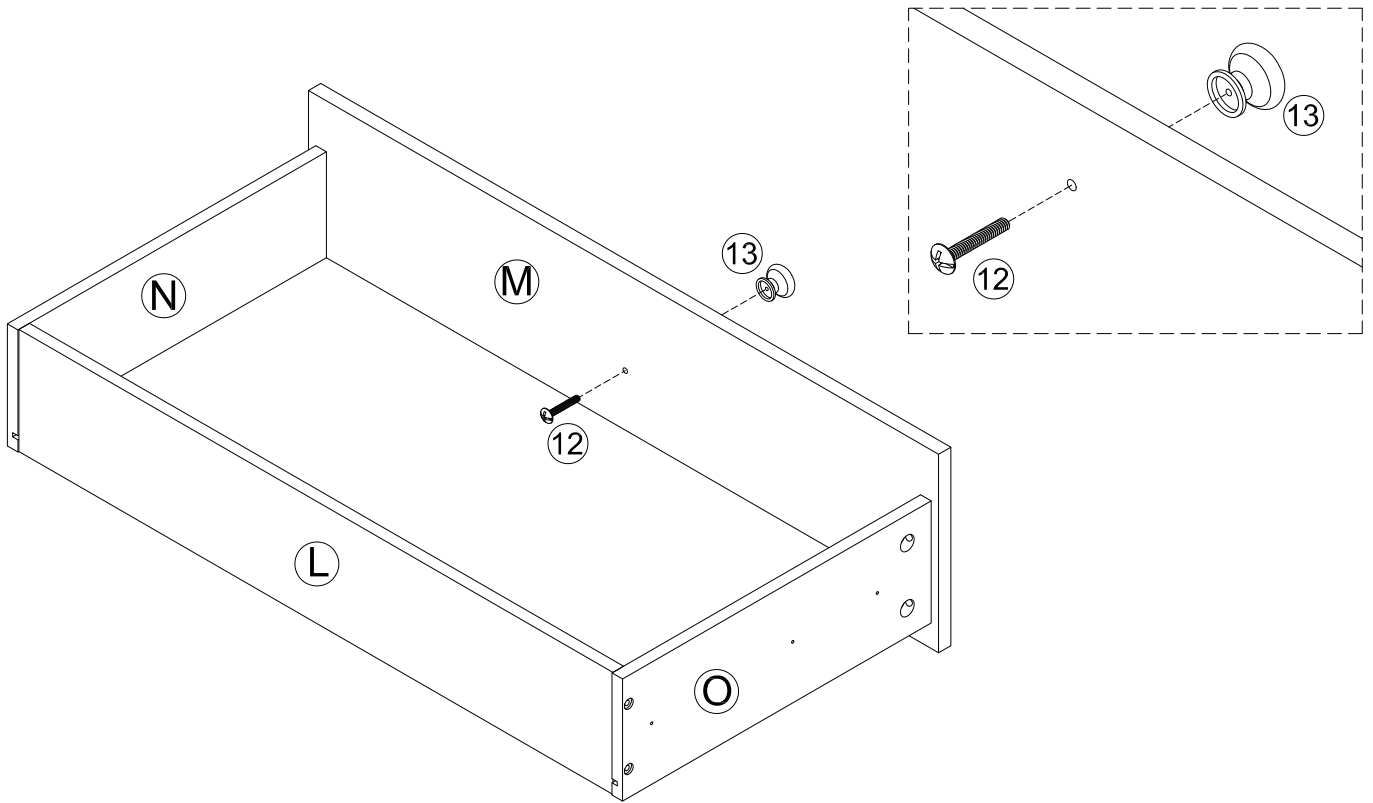
①①  4pcs
Ø15x9mm



STEP 21

⑫ 5/32"x18mm 1pc

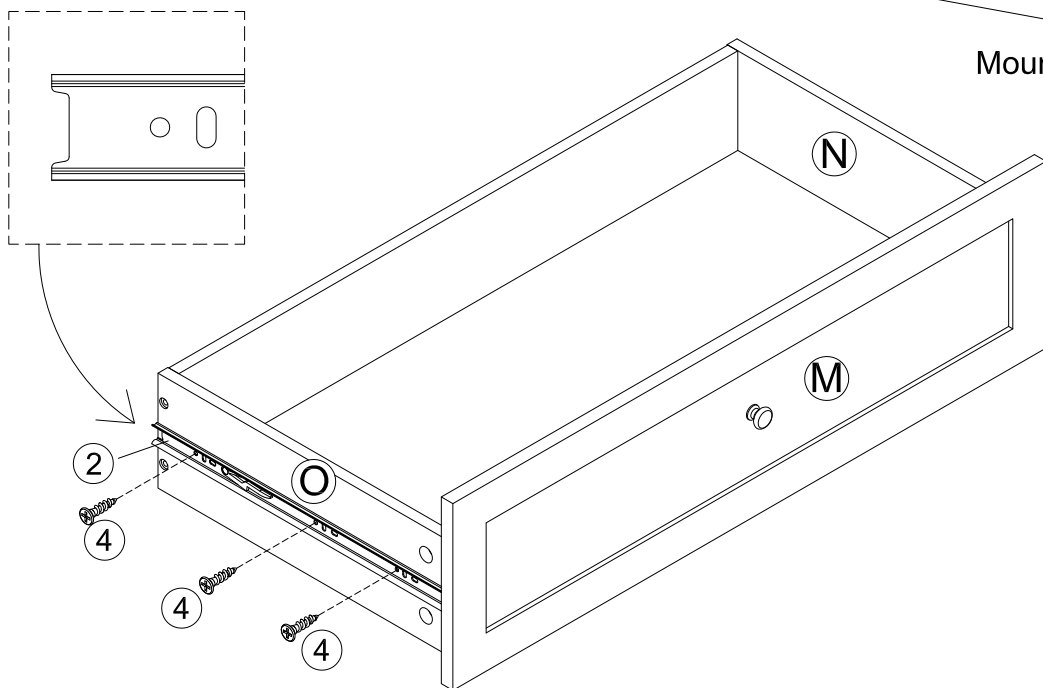
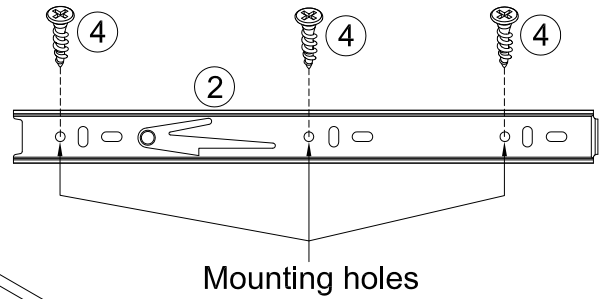
⑬ 1pc



STEP 22

② 1pc

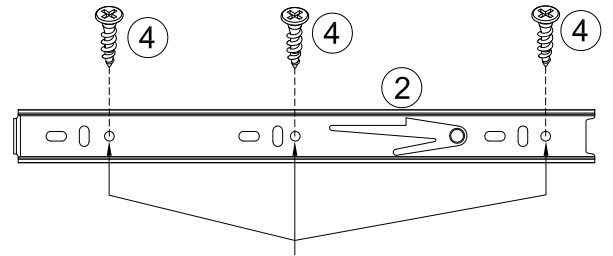
④ Ø3x10mm 3pcs



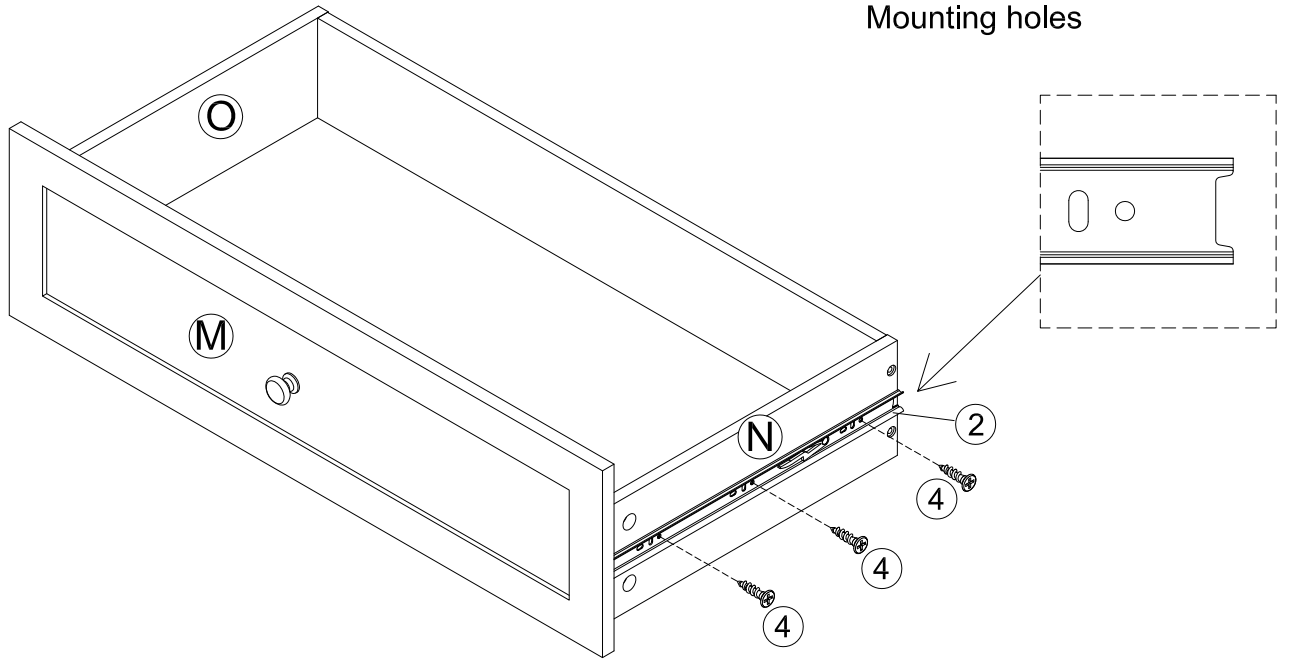
STEP 23

② 1pc

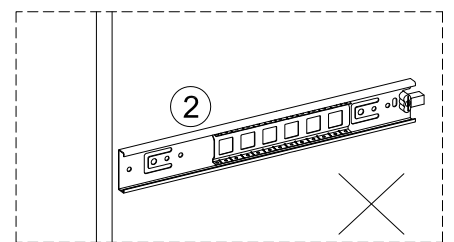
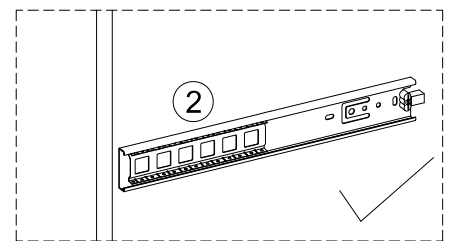
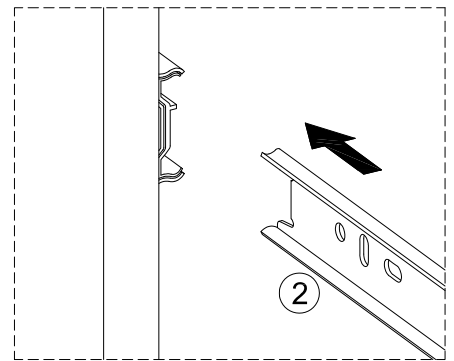
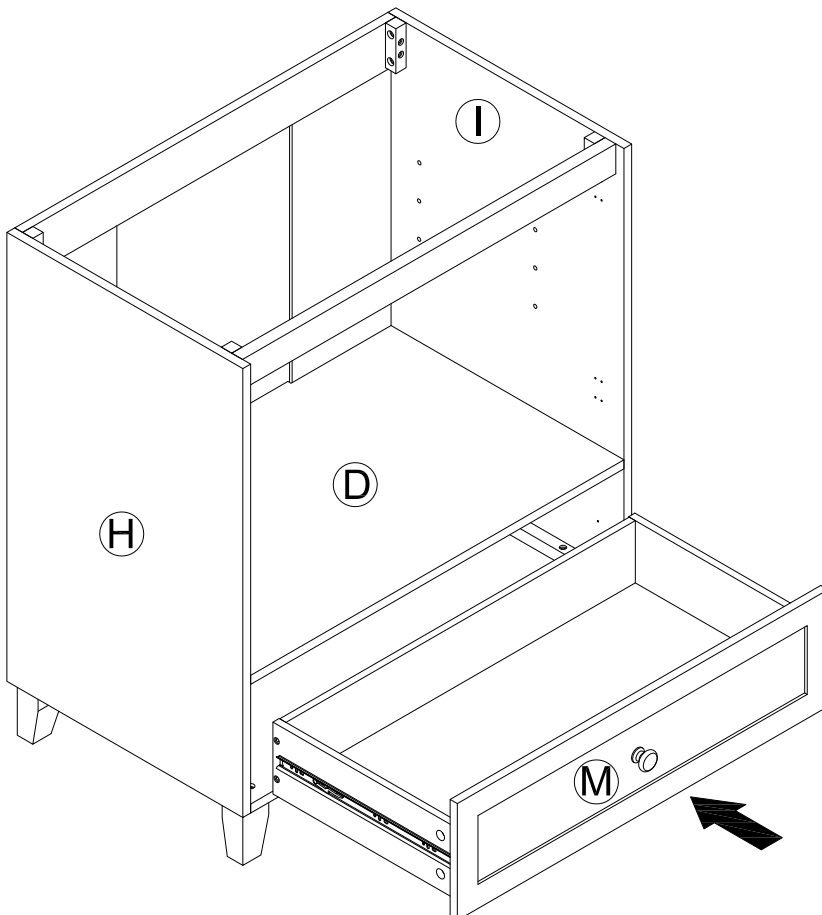
④ 3pcs
Ø3x10mm



Mounting holes

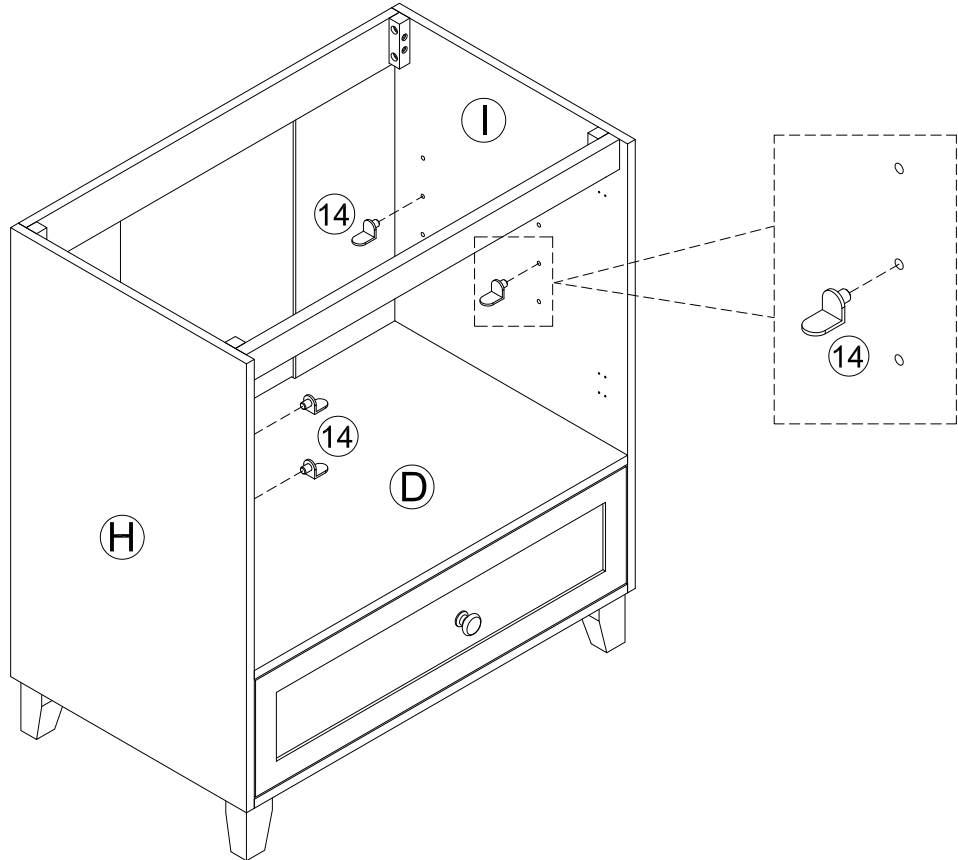


STEP 24

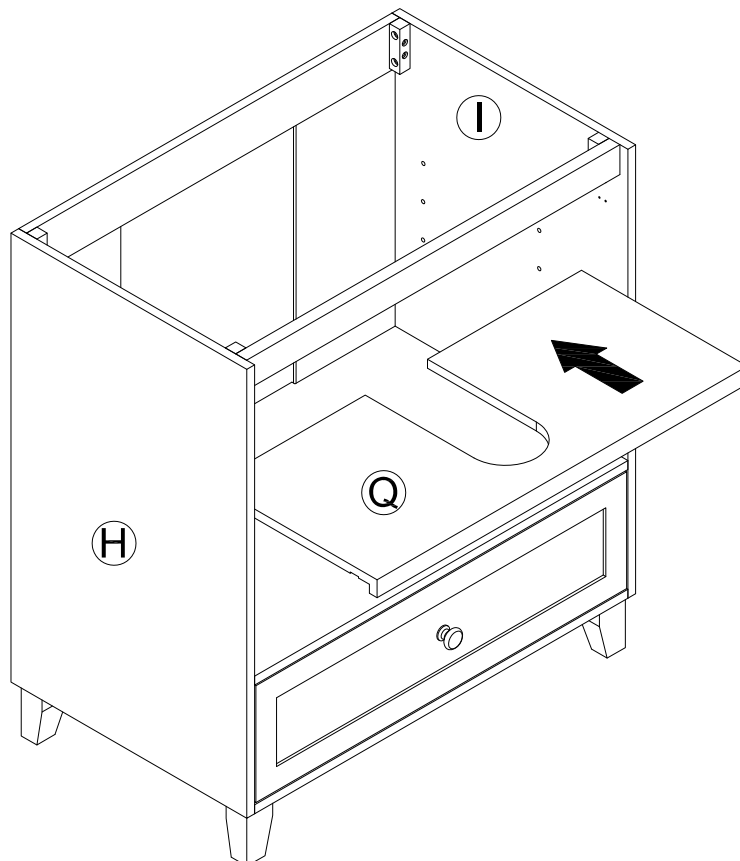


STEP 25


14 4pcs

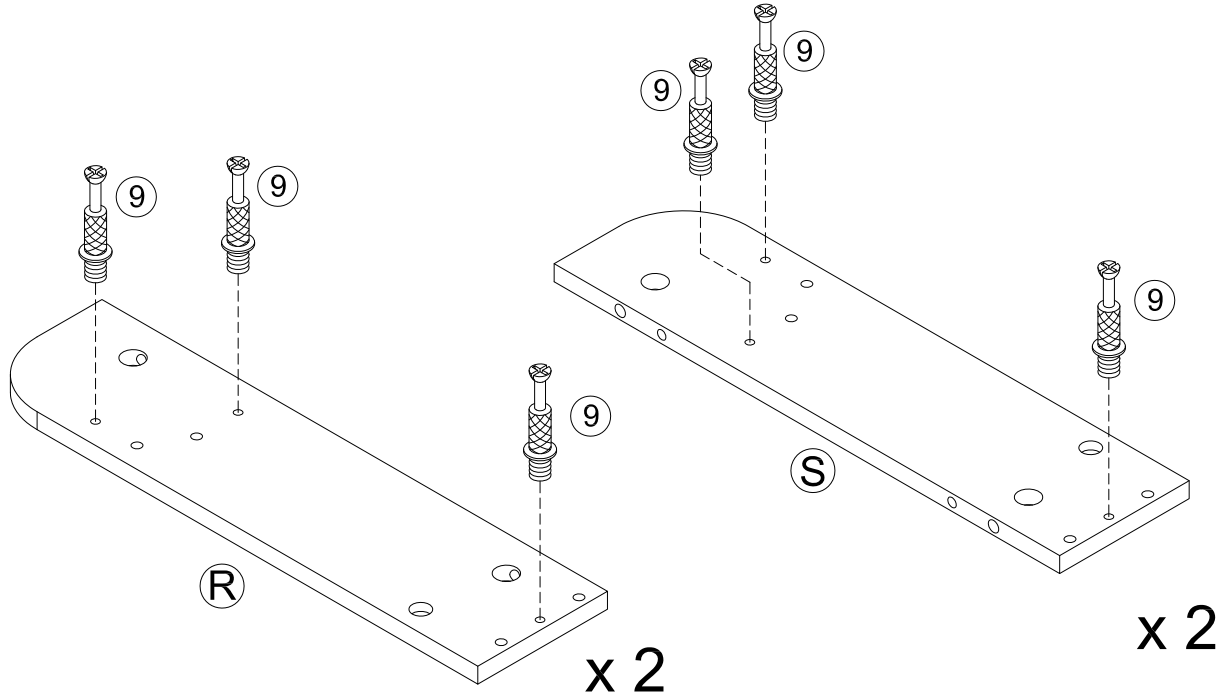


STEP 26

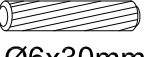



STEP 27

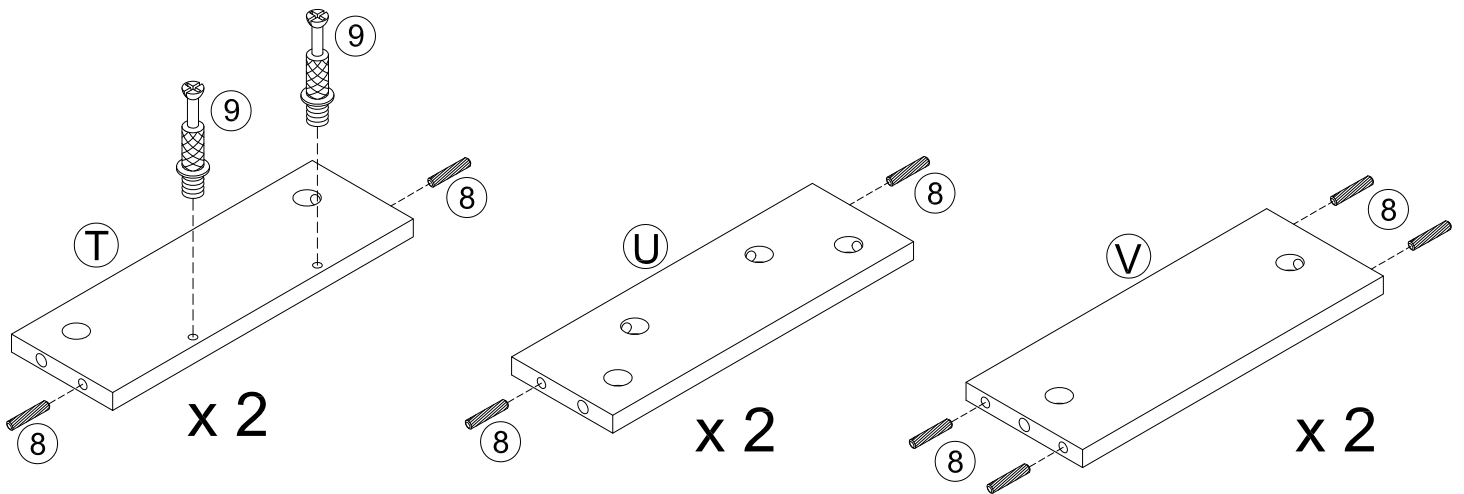
⑨  12pcs
Ø6x33mm



STEP 28

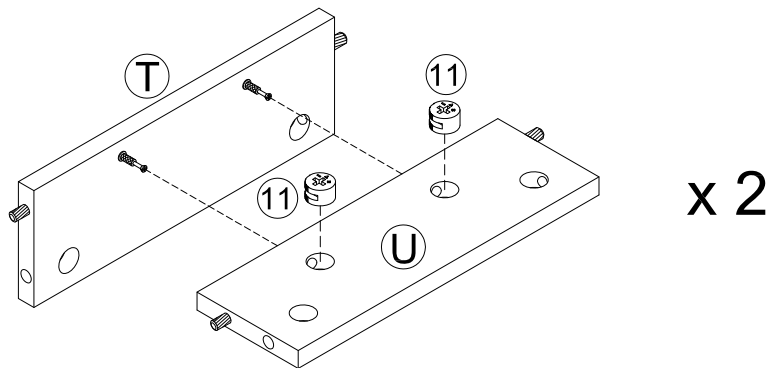
⑧  16pcs
Ø6x30mm

⑨  4pcs
Ø6x33mm



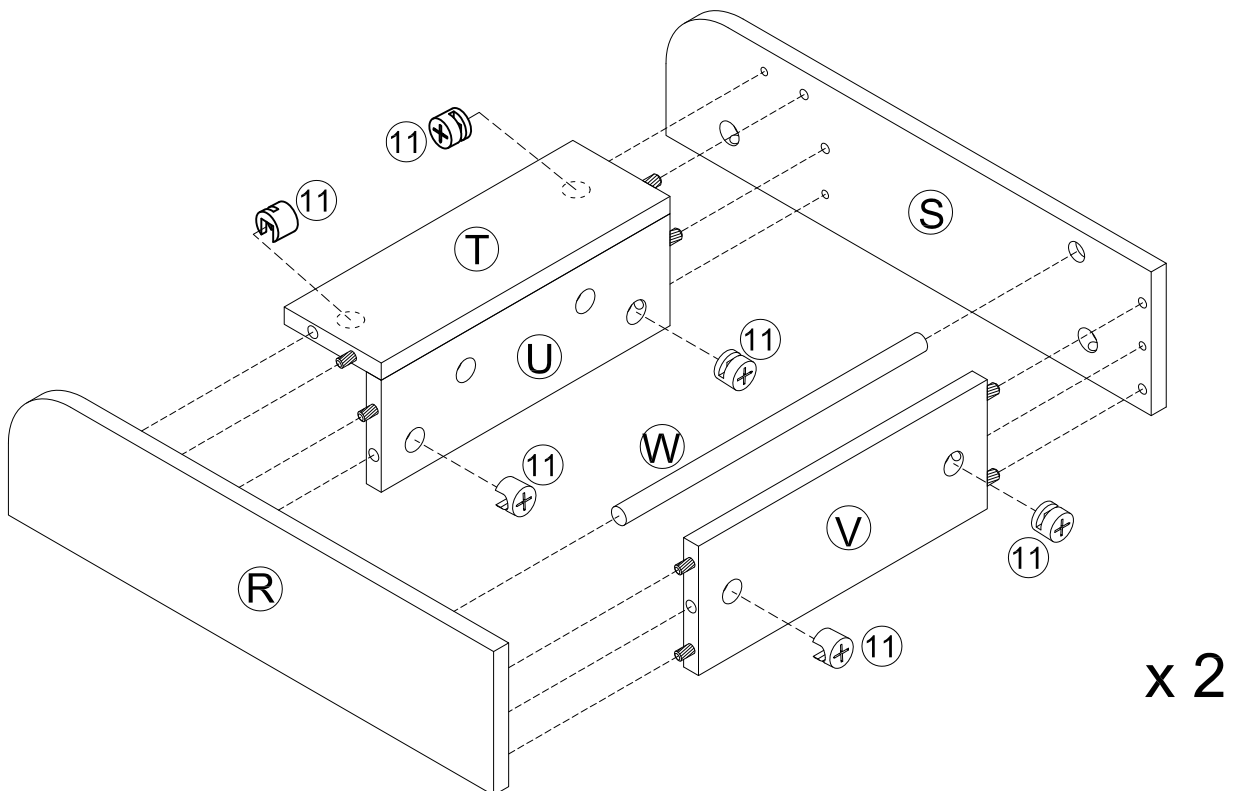
STEP 29

①①  4pcs
Ø15x9mm


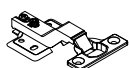


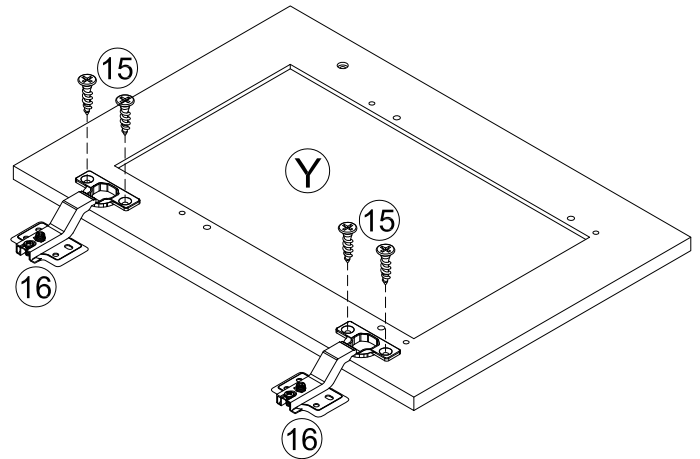
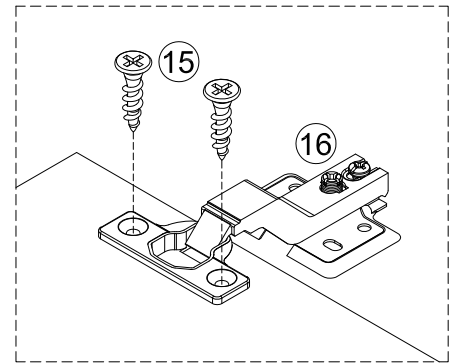
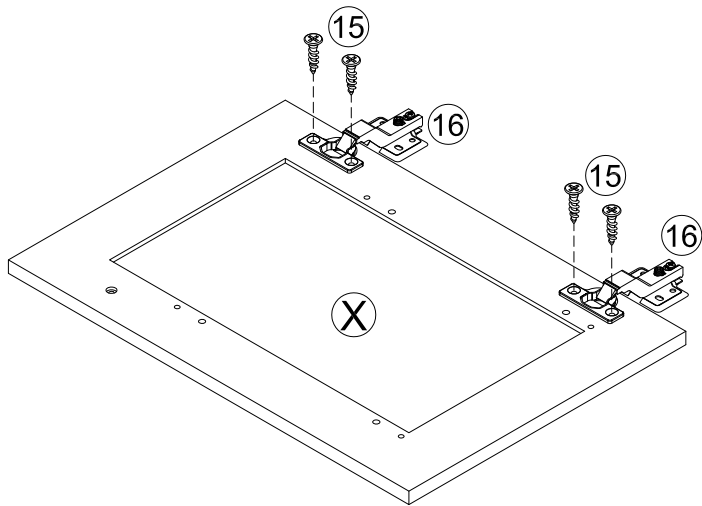
STEP 30

①①  12pcs
Ø15x9mm

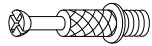


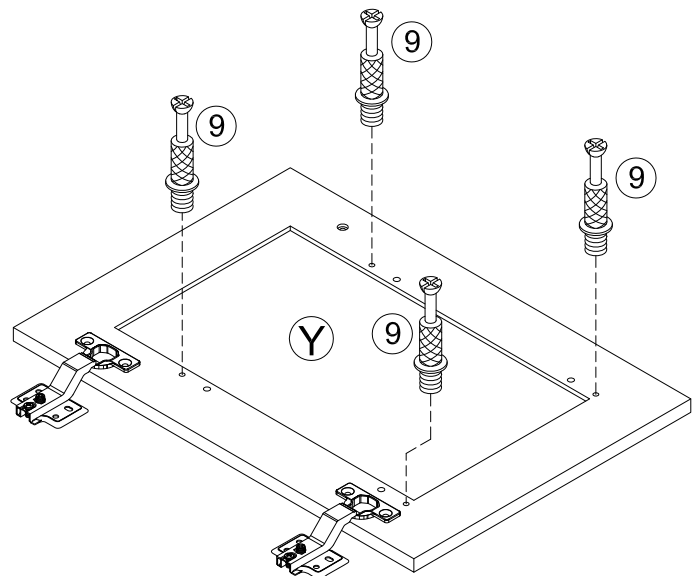
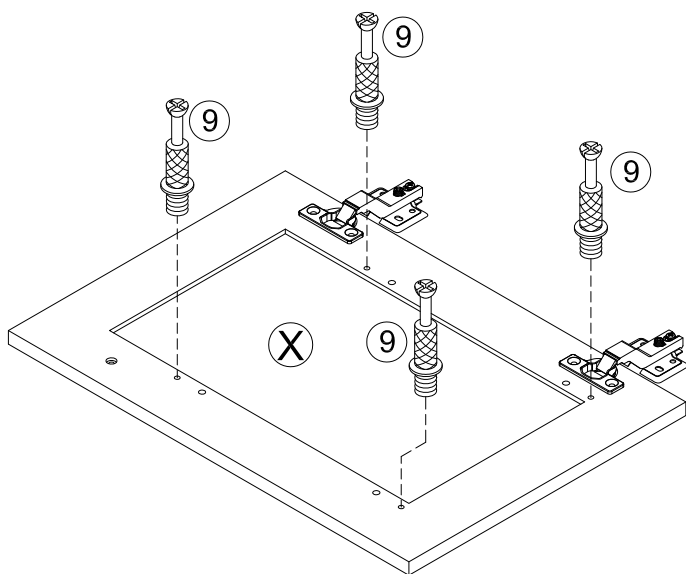
STEP 31

- ⑮  8pcs $\varnothing 4 \times 12 \text{mm}$ ⑯  4pcs

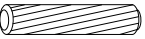


STEP 32

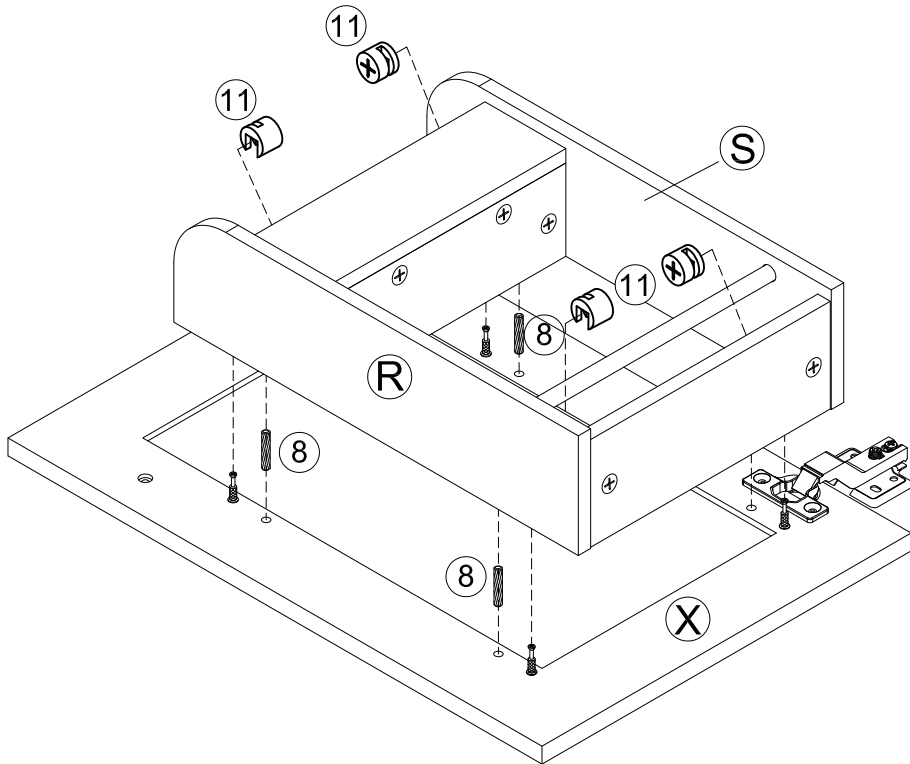
- ⑨  8pcs $\varnothing 6 \times 33 \text{mm}$



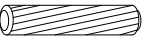
STEP 33

8  4pcs
Ø6x30mm

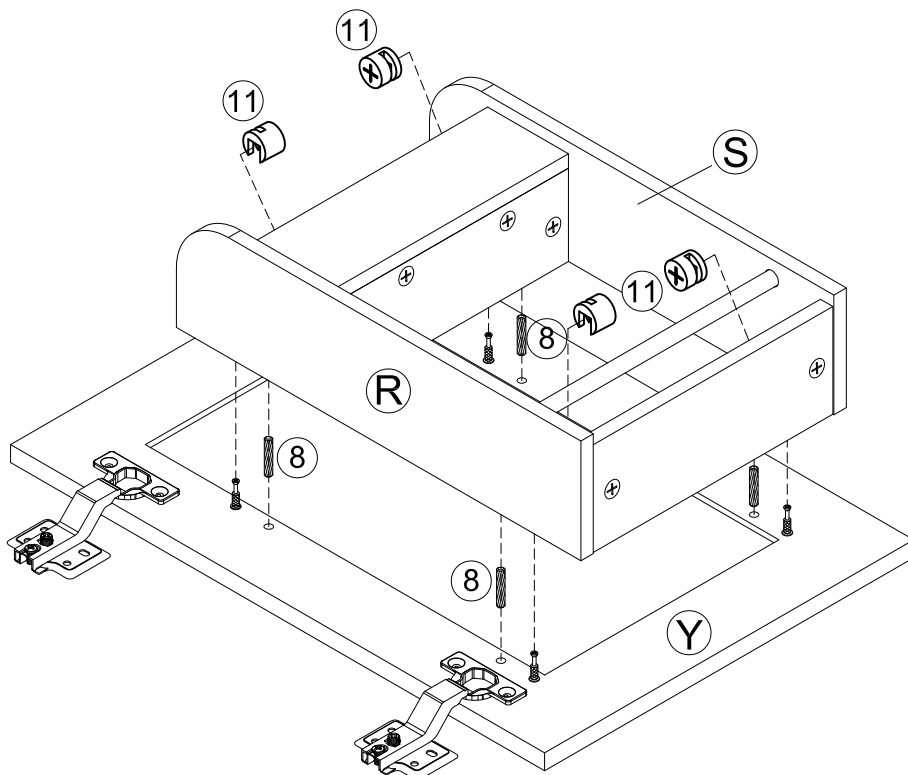
11  4pcs
Ø15x9mm



STEP 34

8  4pcs
Ø6x30mm

11  4pcs
Ø15x9mm

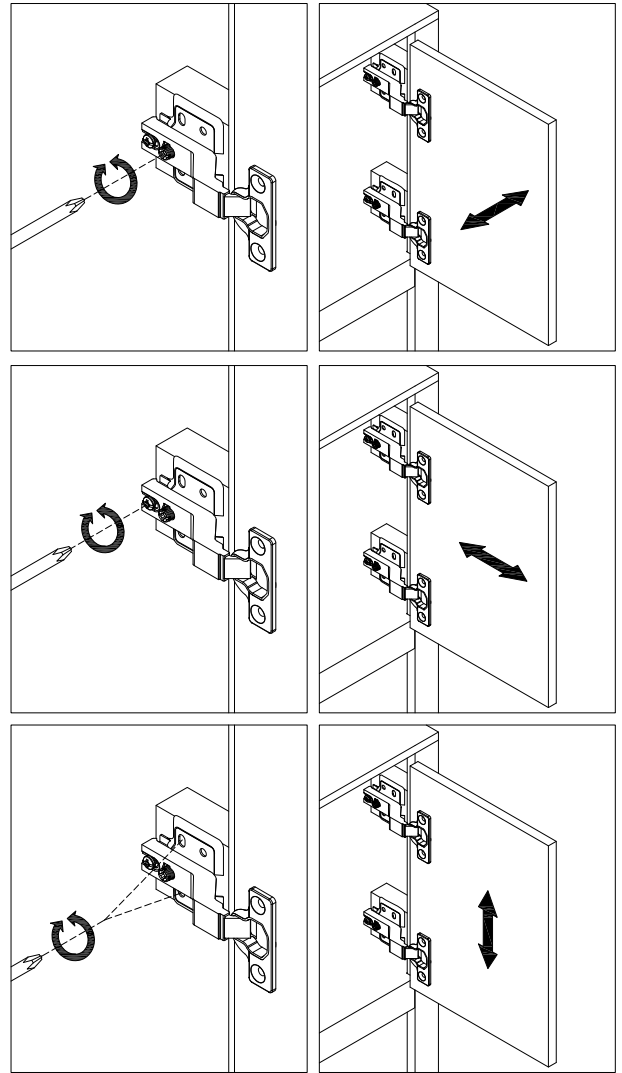
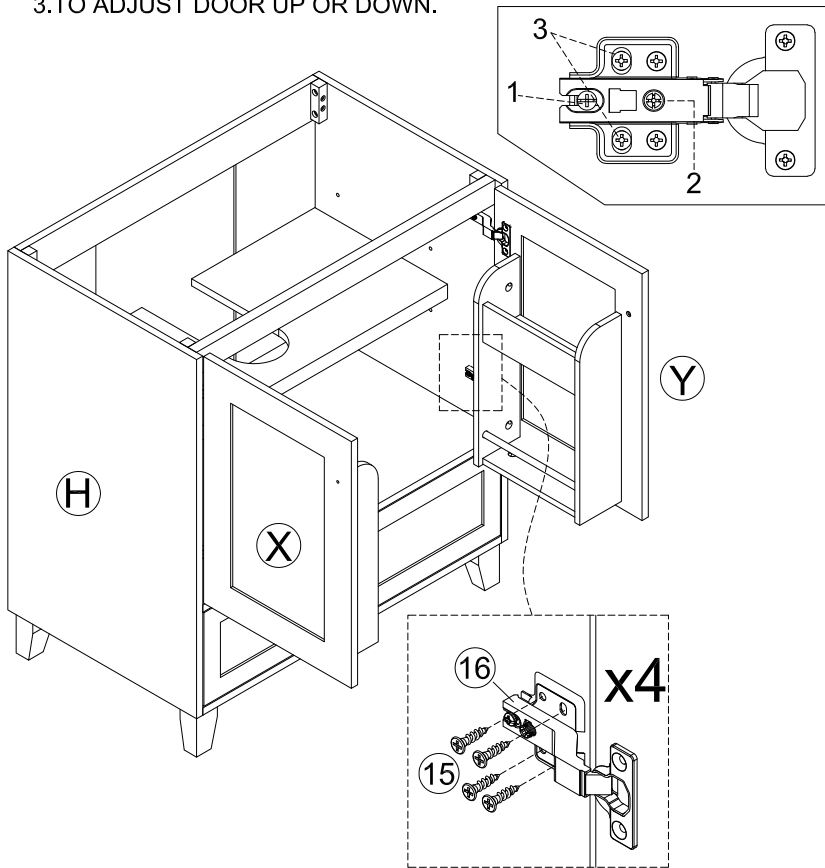


STEP 35

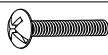
⑮  16pcs
Ø4x12mm


Three-way adjustable hinge for perfectly aligned doors

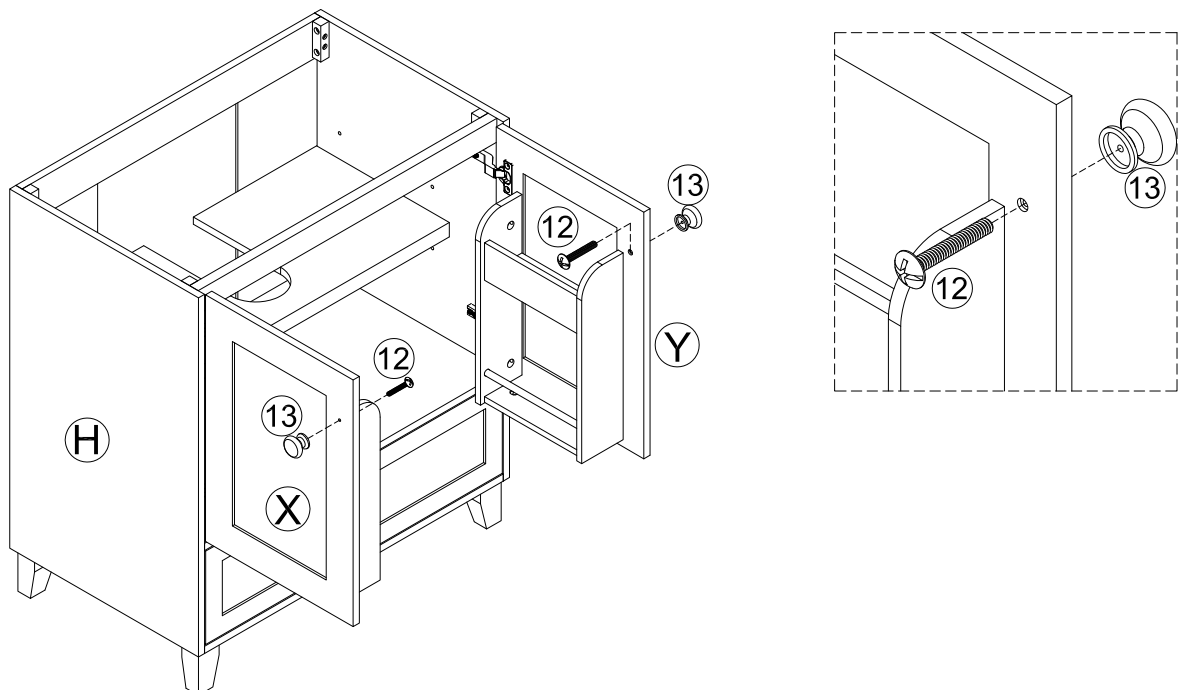
1. TO ADJUST DOOR FORWARD OR BACKWARD.
2. TO ADJUST DOOR TO RIGHT OR TO LEFT.
3. TO ADJUST DOOR UP OR DOWN.



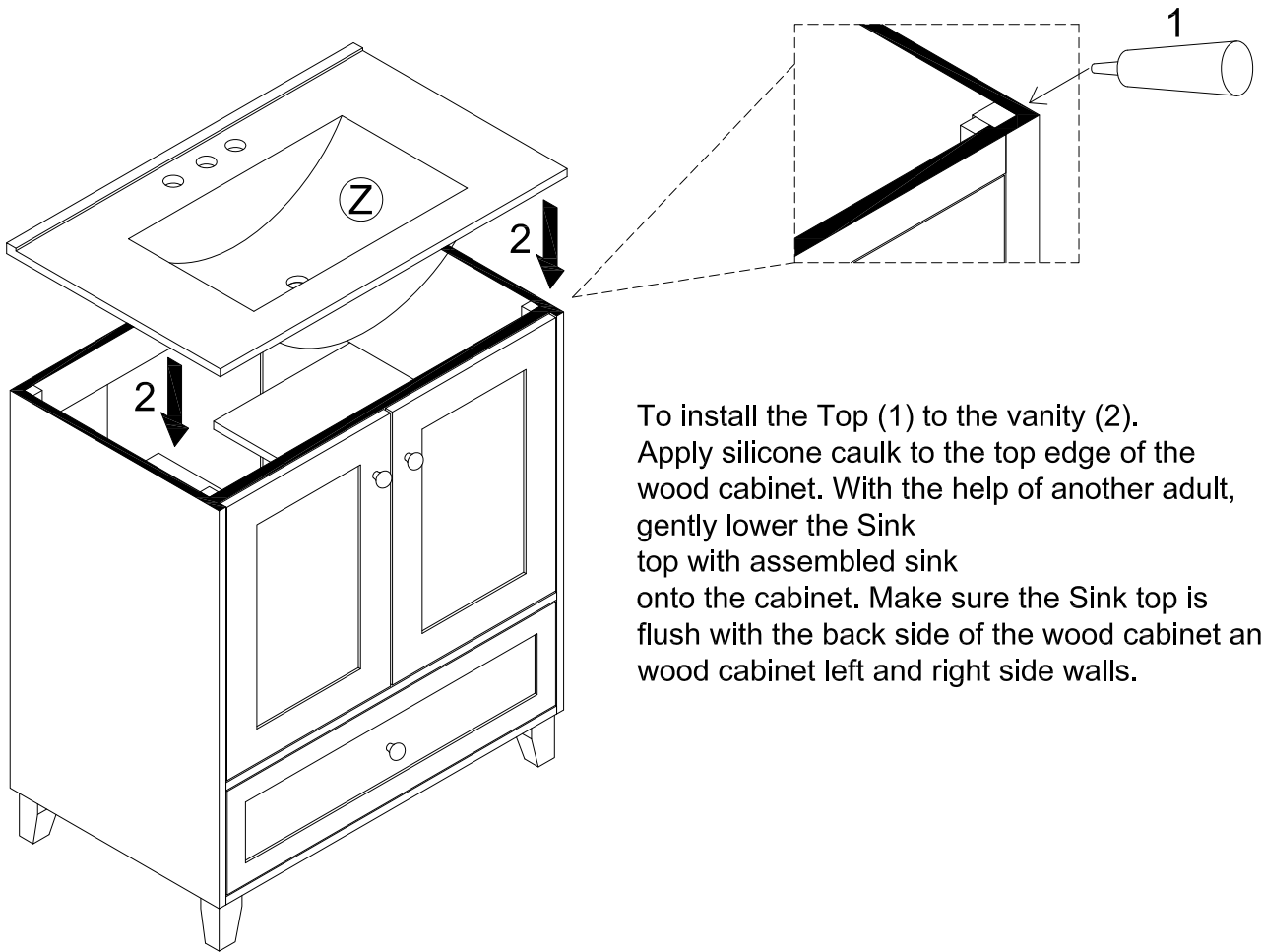
STEP 36

⑫  2pcs
5/32"x18mm

⑬  2pcs



STEP 37



To install the Top (1) to the vanity (2). Apply silicone caulk to the top edge of the wood cabinet. With the help of another adult, gently lower the Sink top with assembled sink onto the cabinet. Make sure the Sink top is flush with the back side of the wood cabinet and the wood cabinet left and right side walls.

STEP 37

