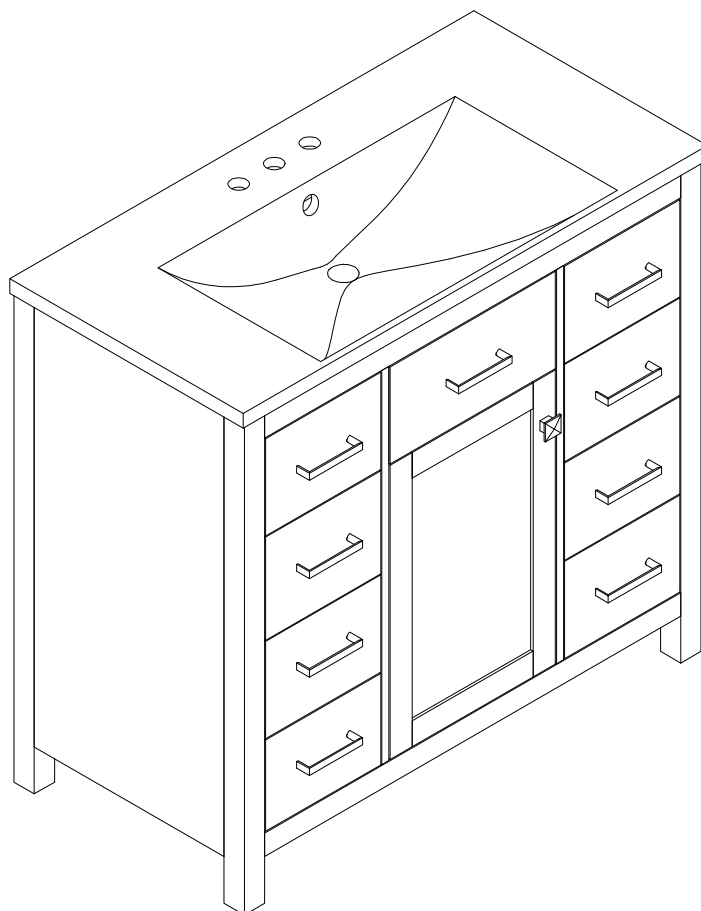


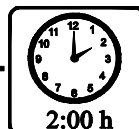
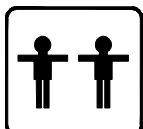
ASSEMBLY INSTRUCTIONS

36 INCH BATH VANITY-CABINET

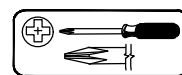


Thank you for purchasing this quality product. Be sure to check all packing material carefully for small parts which may have come loose inside the carton during shipment. Separate, identify and count all parts and hardware. Compare with the parts list to be sure all parts are present.
"DO NOT TIGHTEN SCREWS UNTIL COMPLETELY ASSEMBLED"

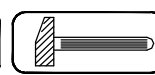
*** Use of power tool to assemble this product will invalidate any claim and damage this product making unsafe !!!**
*** Please assemble on a clean soft surface to avoid damage.**



Tools Required



(Not included)



(Not included)

IMPORTANT:

PLEASE READ INSTRUCTION BEFORE STARTING THE ASSEMBLY

Thank you for buying our products.

Please read the installation manual carefully before installation,

we need you to follow the instructions on the accessories and hardware

step by step assembly complete, our instructions are very detailed.

Products are environmentally friendly products,

Please rest assured that you do not soak in water, do not place very heavy items,

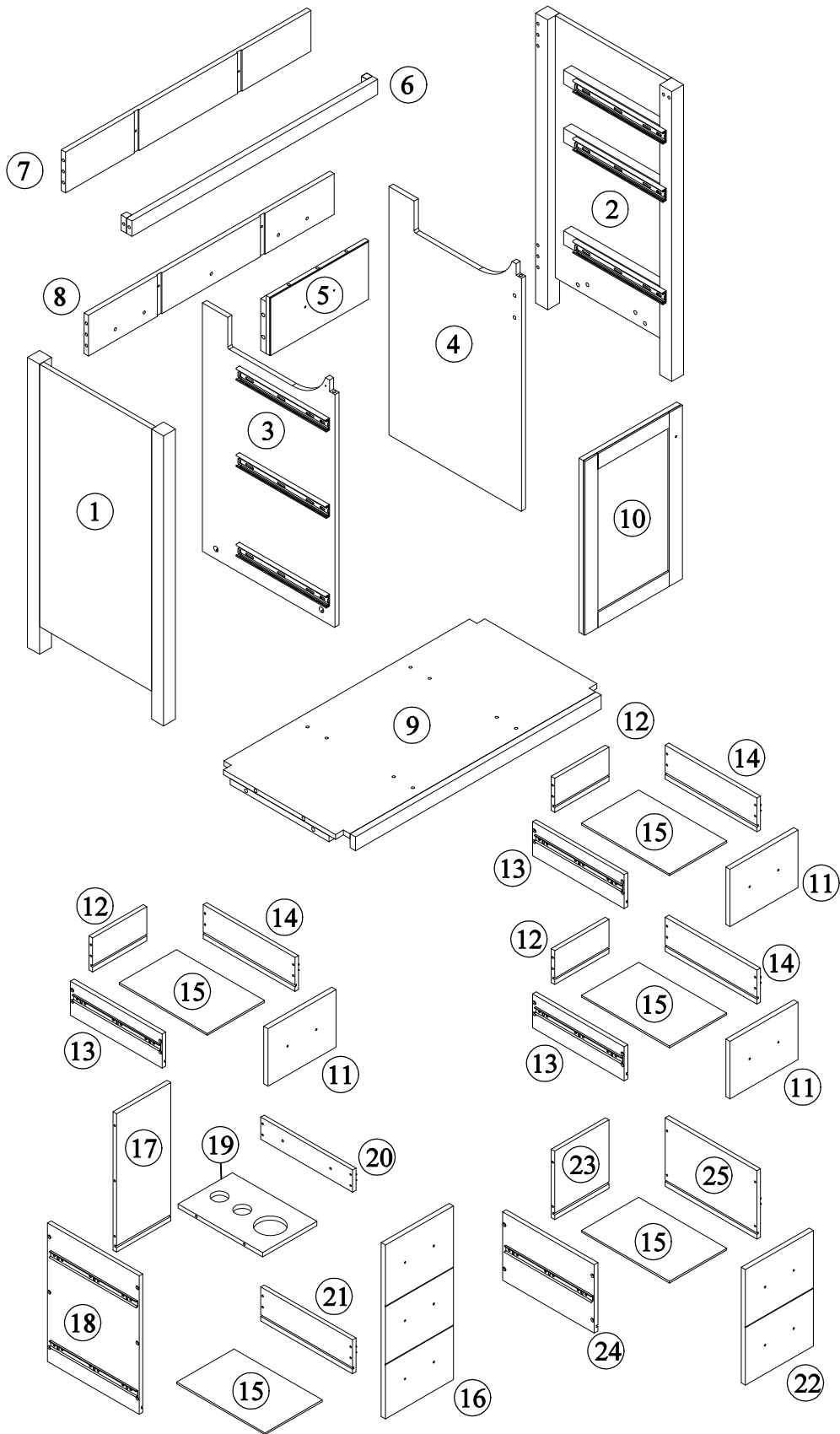
do not malicious push and pull,

if you have any problems in the process of assembly and use, please contact us.

Thank you again for your purchase of our products,

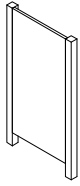
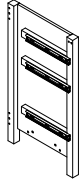
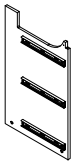
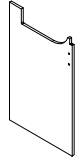
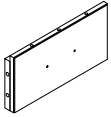
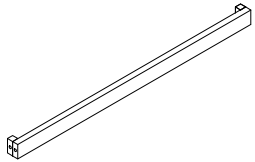
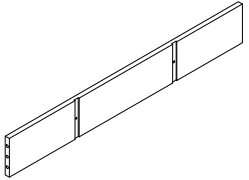
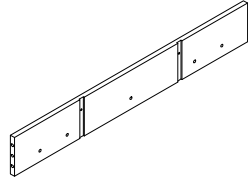
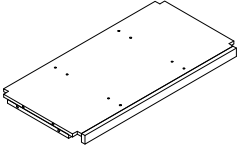
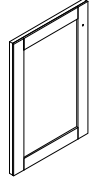
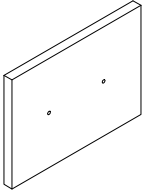
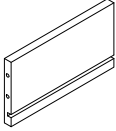
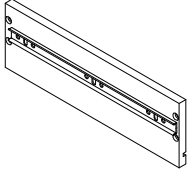
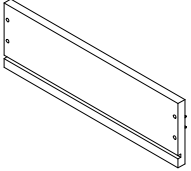
I wish you a happy life.

Detail View - CABINET

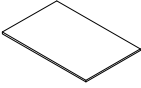
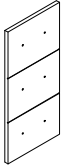
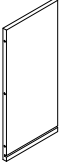
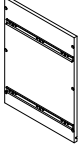
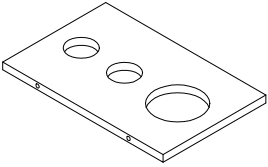
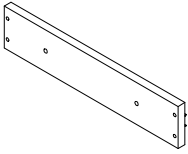
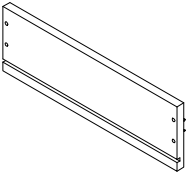
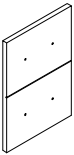
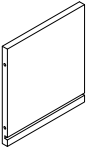
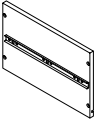
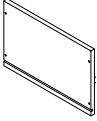


Identifying the Hardware-Identify the hardware using the illustrations below.






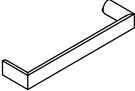
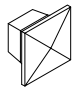
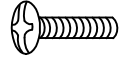




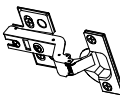
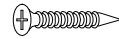
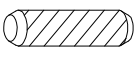
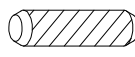

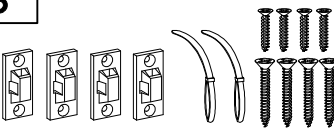
Part List - WF318120

<p>1</p>  <p>Side Panel (L) - 1pc</p>	<p>2</p>  <p>Side Panel (R) - 1pc</p>
<p>3</p>  <p>Panel Mid (L) - 1pc</p>	<p>4</p>  <p>Panel Mid (R) - 1pc</p>
<p>5</p>  <p>Fake Drawer - 1pc</p>	<p>6</p>  <p>Front Bar Top - 1pc</p>
<p>7</p>  <p>Rear Panel Top - 1pc</p>	<p>8</p>  <p>Rear Panel Bottom - 1pc</p>
<p>9</p>  <p>Frame Bottom - 1pc</p>	<p>10</p>  <p>Door Cabinet - 1pc</p>
<p>11</p>  <p>Drawer Face - 3pcs</p>	<p>12</p>  <p>Drawer Panel Rear - 3pcs</p>
<p>13</p>  <p>Drawer Left Panel Side (L) - 3pcs</p>	<p>14</p>  <p>Drawer Left Panel Side (R) - 3pcs</p>

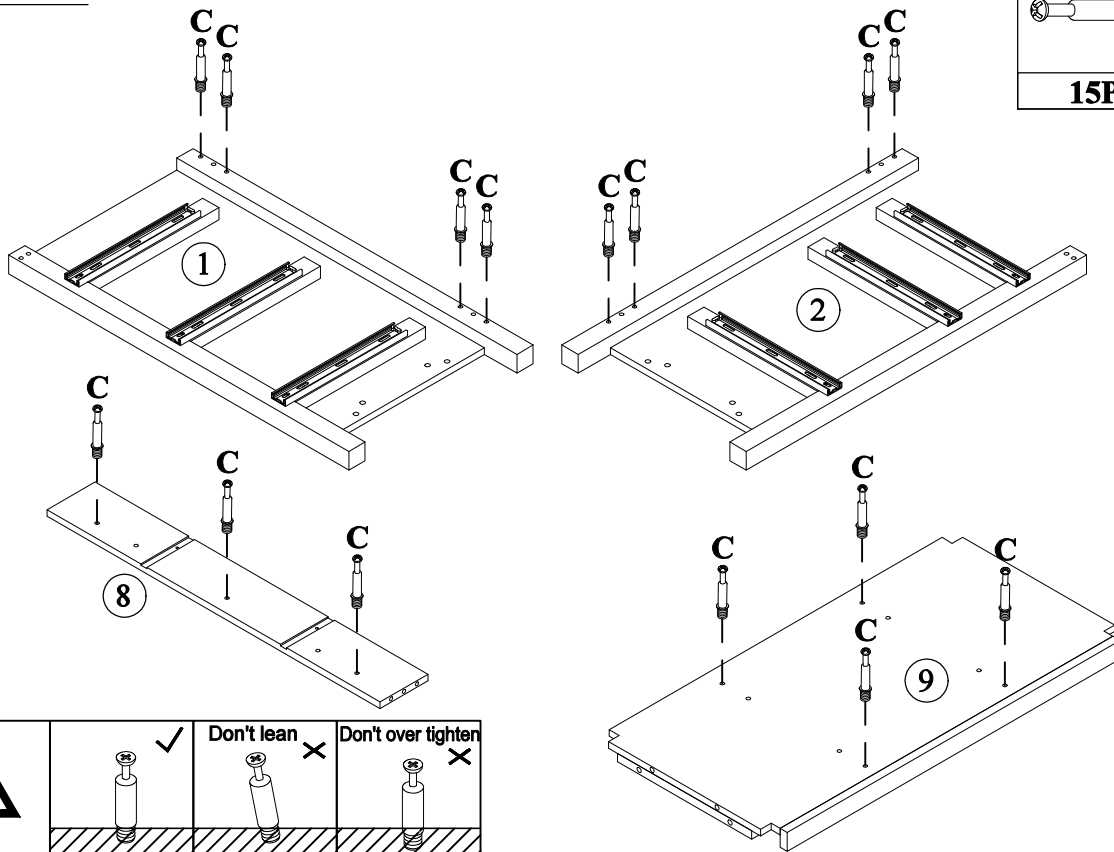
Part List - WF318120

<p>15</p>  <p>Panel Bottom - 5pcs</p>	<p>16</p>  <p>Bottom Drawer Face Left - 1pc</p>
<p>17</p>  <p>Bottom Drawer Left Panel Rear - 1pc</p>	<p>18</p>  <p>Bottom Drawer Left Panel Side (L) - 1pc</p>
<p>19</p>  <p>Bottom Drawer Panel Mid - 1pc</p>	<p>20</p>  <p>Bottom Drawer Left Panel Side (R-A) - 1pc</p>
<p>21</p>  <p>Bottom Drawer Left Panel Side (R-B) - 1pc</p>	<p>22</p>  <p>Bottom Drawer Face Right - 1pc</p>
<p>23</p>  <p>Bottom Drawer Right Panel Rear - 1pc</p>	<p>24</p>  <p>Bottom Drawer Right Panel Side (L) - 1pc</p>
<p>25</p>  <p>Bottom Drawer Right Panel Side (L) - 1pc</p>	

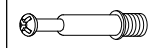
Hardware List - WF318120

<p>A</p>  <p>ø13x1/4"x28mm Hex-Head bolts (10pcs)</p>	<p>B</p>  <p>ø1/4"x16x1mm Washer (10pcs)</p>	<p>C</p>  <p>ø6x35mm Three in one bolts (17pcs)</p>
<p>D</p>  <p>ø14.5x12mm Three in one lock (17pcs)</p>	<p>E</p>  <p>ø8xø4x25mm Round head screw (4pcs)</p>	<p>F</p>  <p>ø8xø4x32mm Round head screw (46pcs)</p>
<p>G</p>  <p>Handle (9pcs)</p>	<p>H</p>  <p>Handle (1pc)</p>	<p>I</p>  <p>ø5/32"x15mm Handle screw (6pcs)</p>
<p>J</p>  <p>ø5/32"x25mm Handle screw (1pcs)</p>	<p>K</p>  <p>ø5/32"x28mm Handle screw (12pcs)</p>	<p>L</p>  <p>L-Bracket (2pc)</p>
<p>M</p>  <p>ø7xø3.5x12mm Round head screw (4pcs)</p>	<p>N</p>  <p>Damping hinge (2pcs)</p>	<p>O</p>  <p>ø7xø3.5x15mm Flat head screw (12pcs)</p>
<p>P</p>  <p>ø8x30mm Wood dowel (19pcs)</p>	<p>Q</p>  <p>ø6x30mm Wood dowel (4pcs)</p>	<p>R</p>  <p>4mm Allen key (1pc)</p>
<p>S</p>  <p>Anti fall hardware (1set)</p>		

STEP: 1

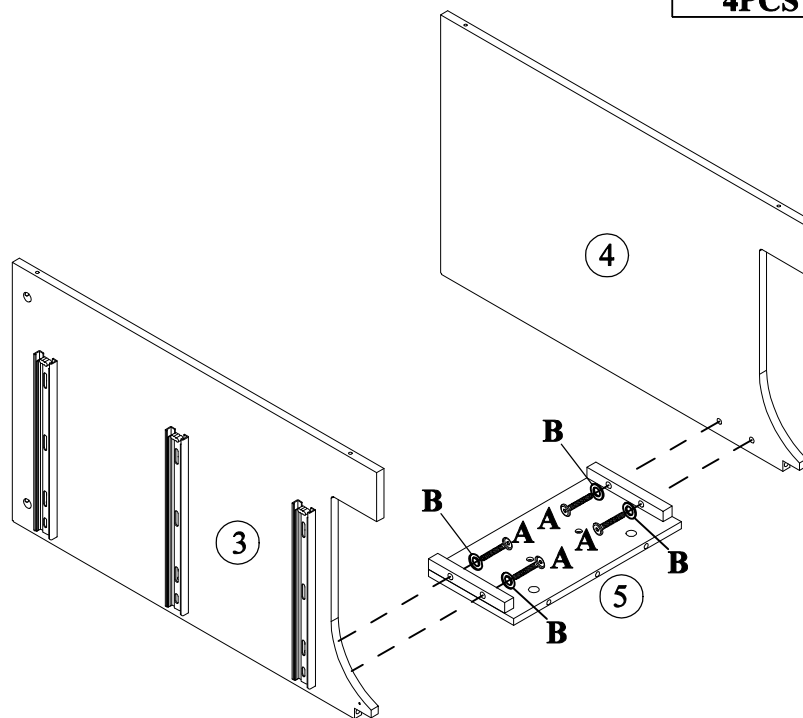


C



15PCS

STEP: 2



A



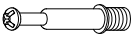




4PCS

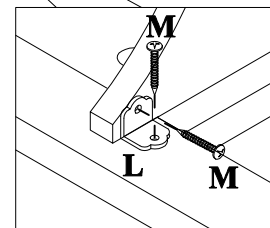
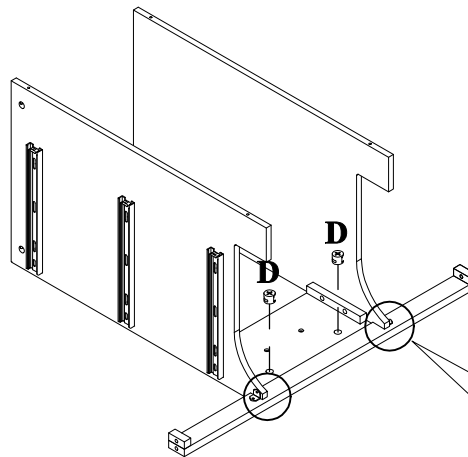
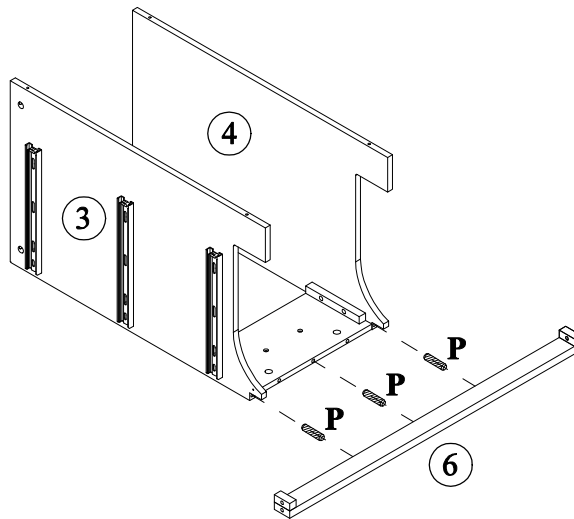
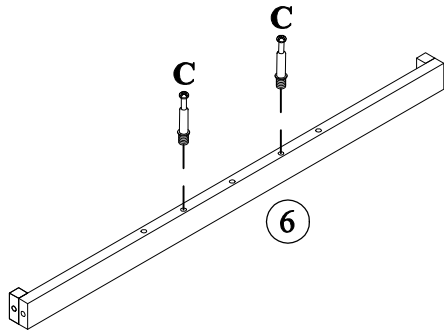
B




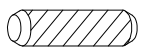
4PCS

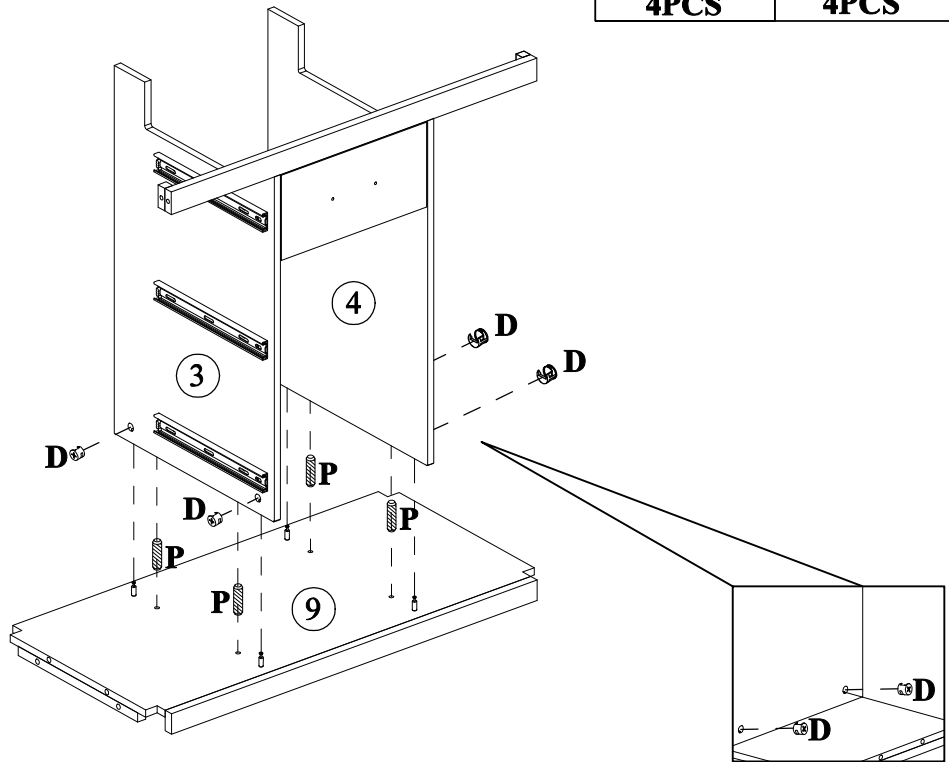
STEP: 3

C 	D 	L 	M 	P 
2PCS	2PCS	2PCS	4PCS	3PCS






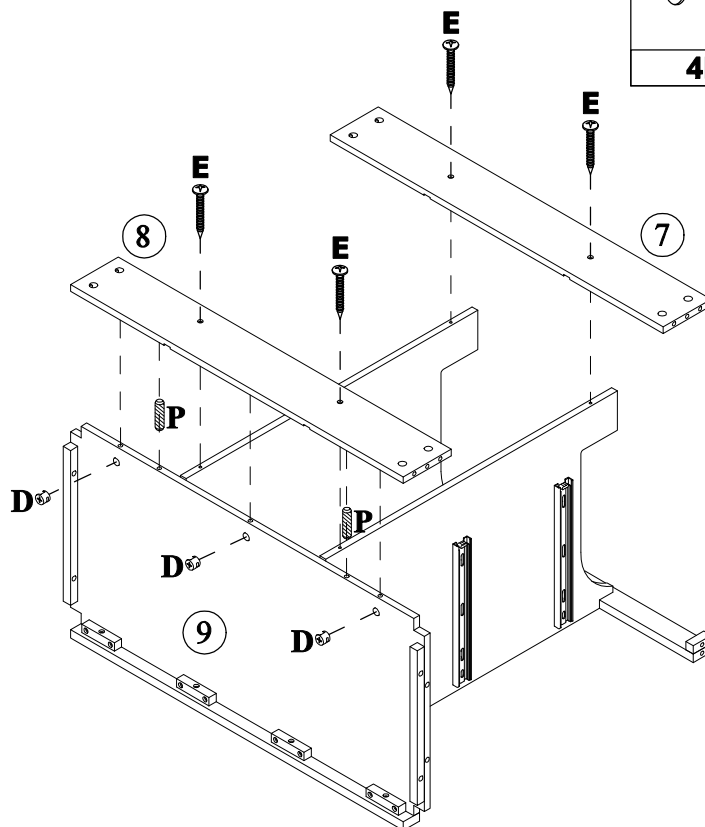
STEP: 4

D		P	
	4PCS		4PCS







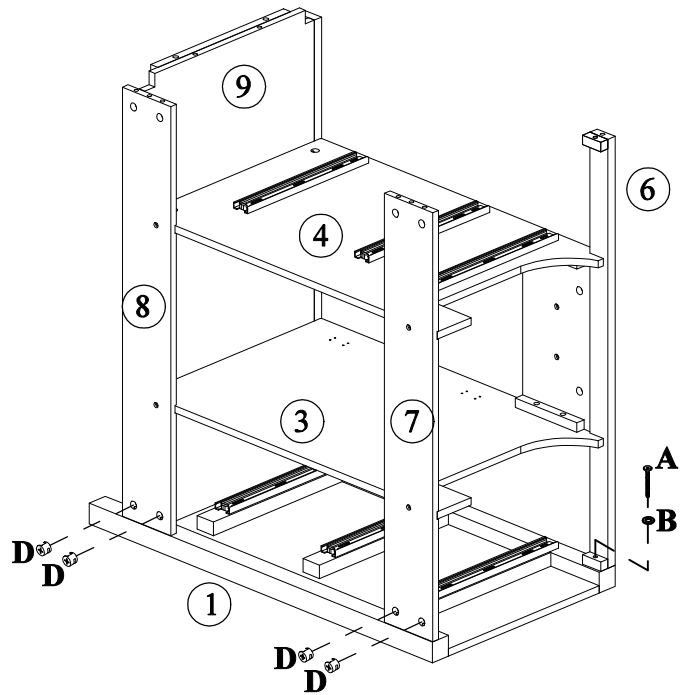
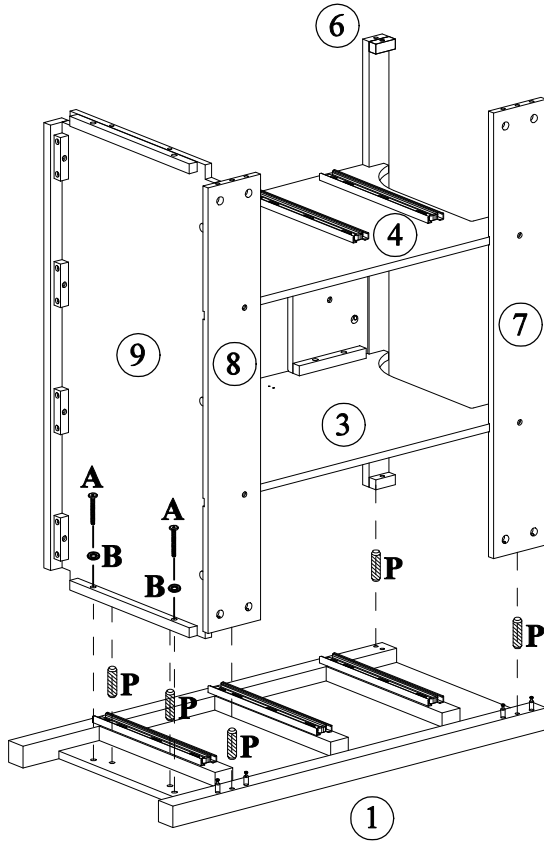
STEP: 5

E		D		P	
	4PCS		3PCS		2PCS







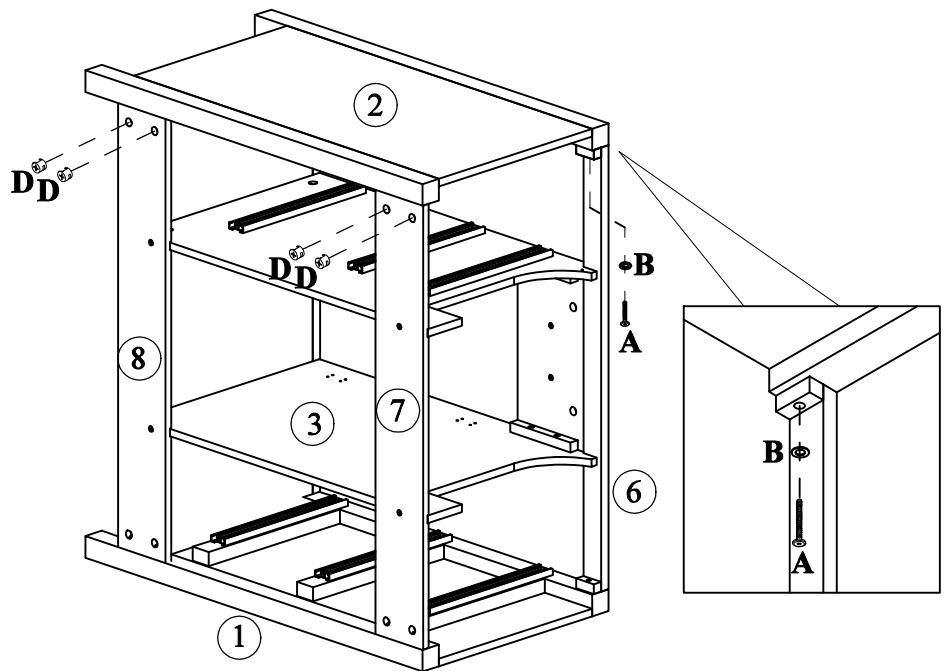
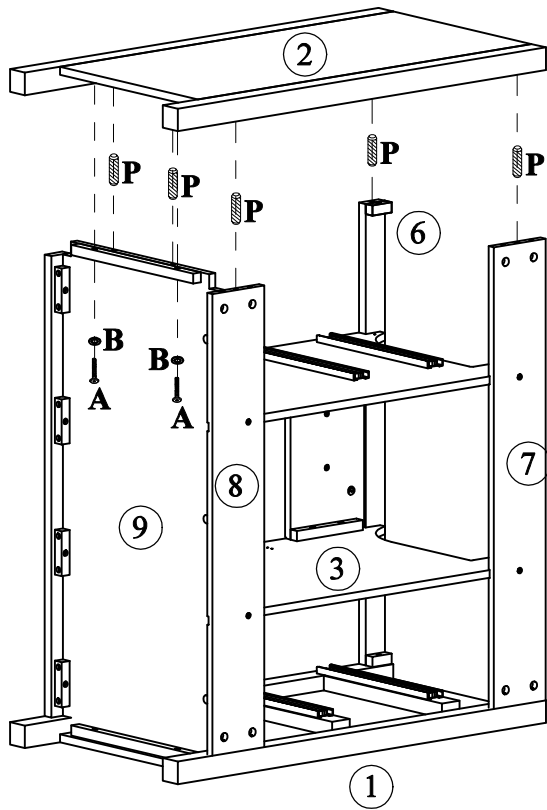
STEP: 6

A	B	D	P
			
3PCS	3PCS	4PCS	5PCS





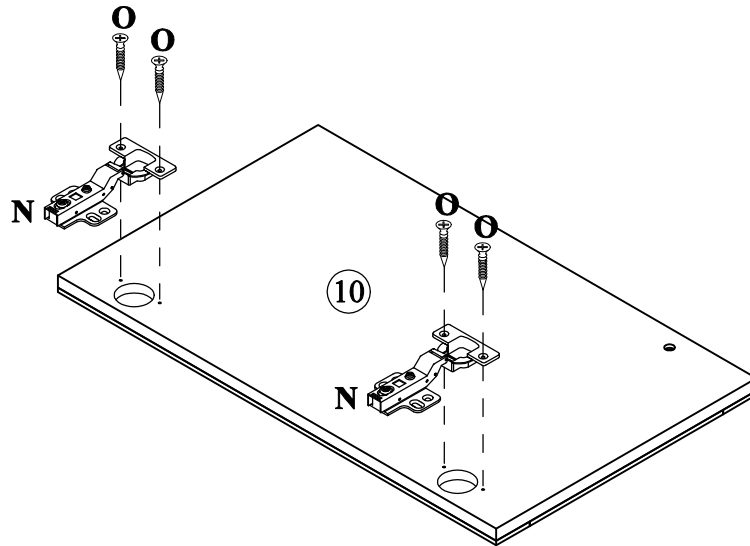
STEP: 7

A	B	D	P
			
3PCS	3PCS	4PCS	5PCS

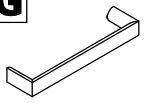
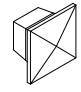
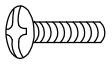
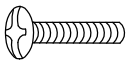


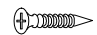
STEP: 8

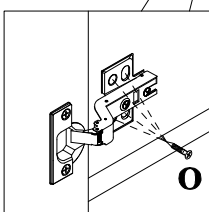
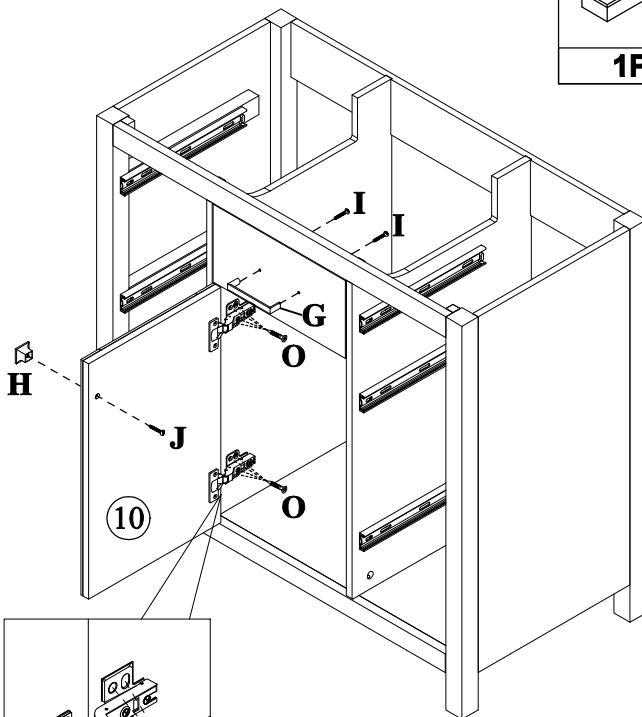
N	O
	
2PCS	4PCS



STEP: 9

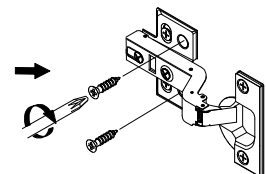
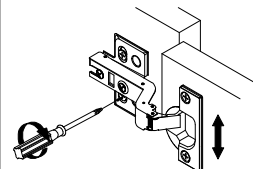
G	H	I	J
			
1PC	1PC	2PCS	1PC

O

8PCS



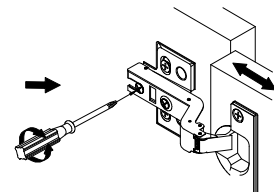
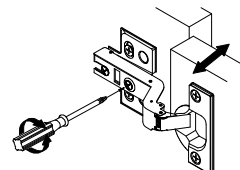
Use the screws to adjust up or down

Use the screws to permanent

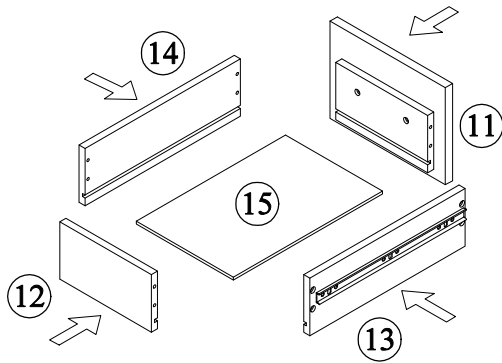



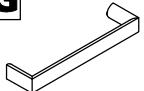

Use the screws to adjust left or right

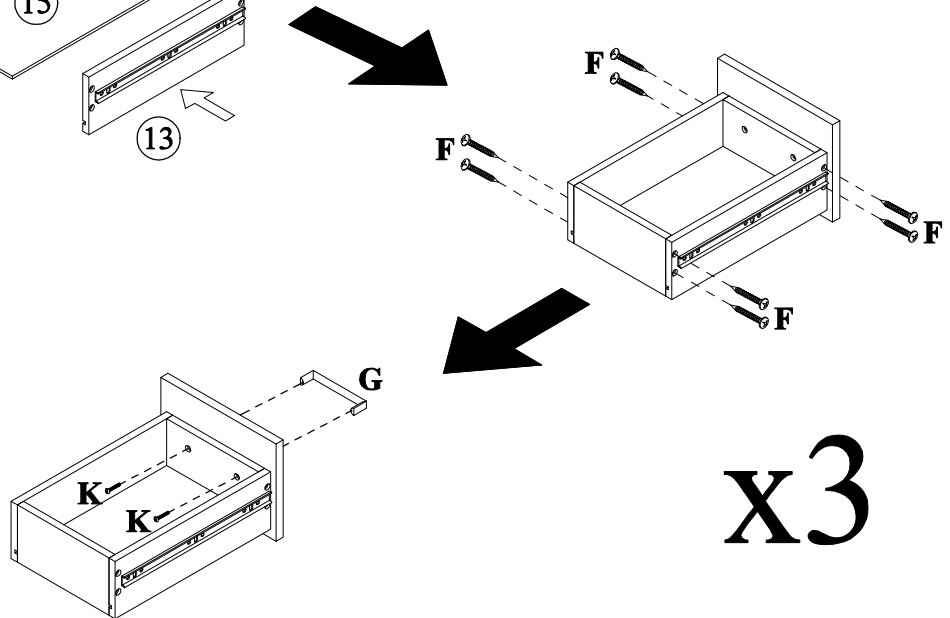
Use the screws to adjust in or out



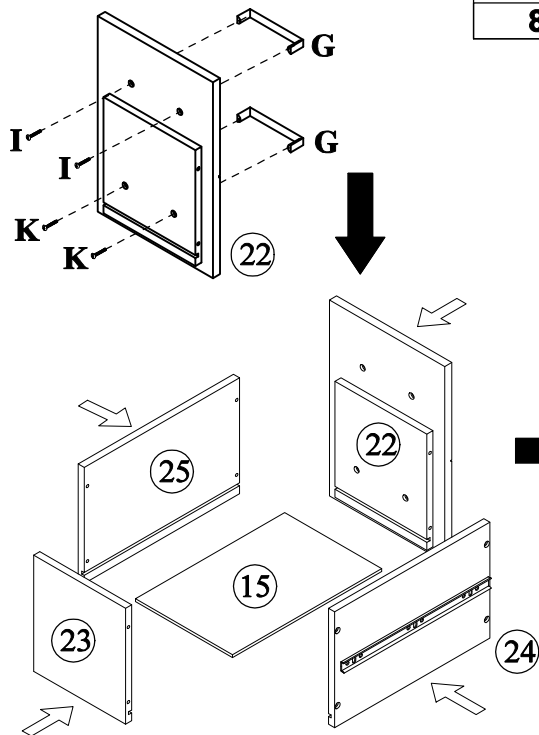
STEP: 10


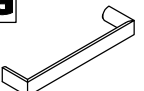




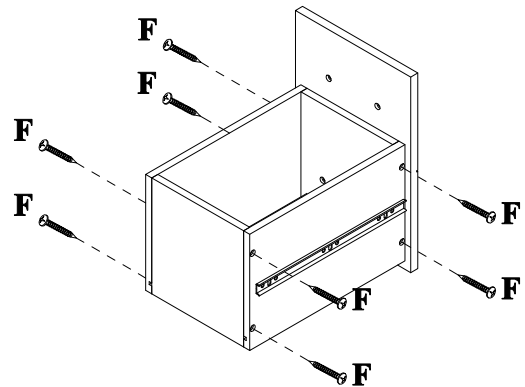
F	G	K
		
24PCS	3PCS	6PCS




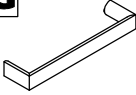
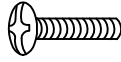


STEP: 11

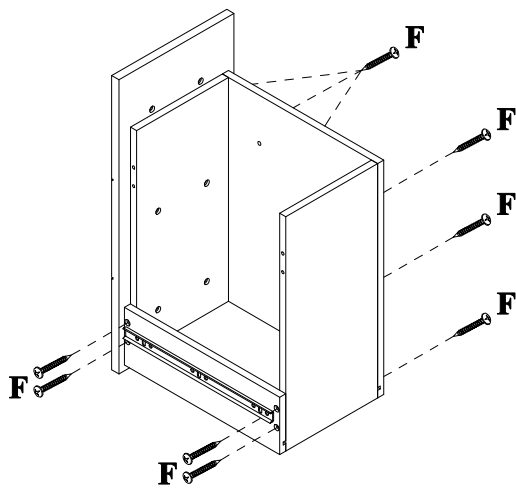
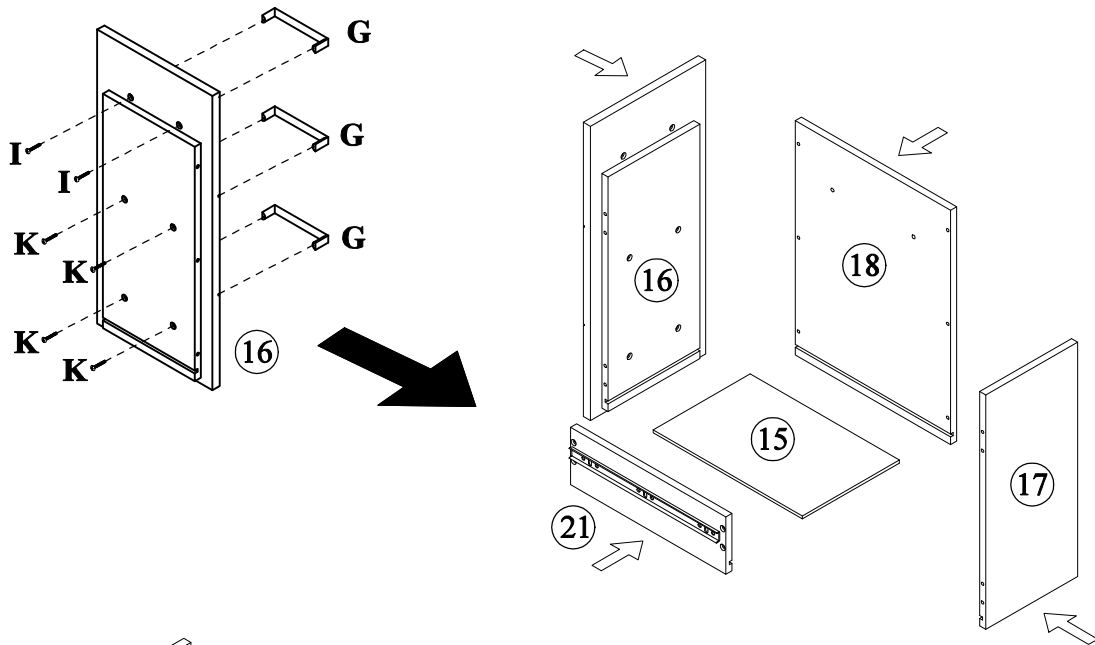


F	G	I	K
			
8PCS	2PCS	2PCS	2PCS

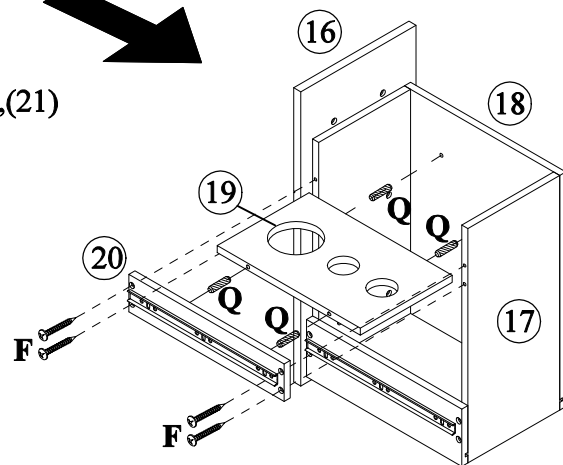


STEP: 12

F	G	I	K	Q
				
14PCS	3PCS	2PCS	4PCS	4PCS

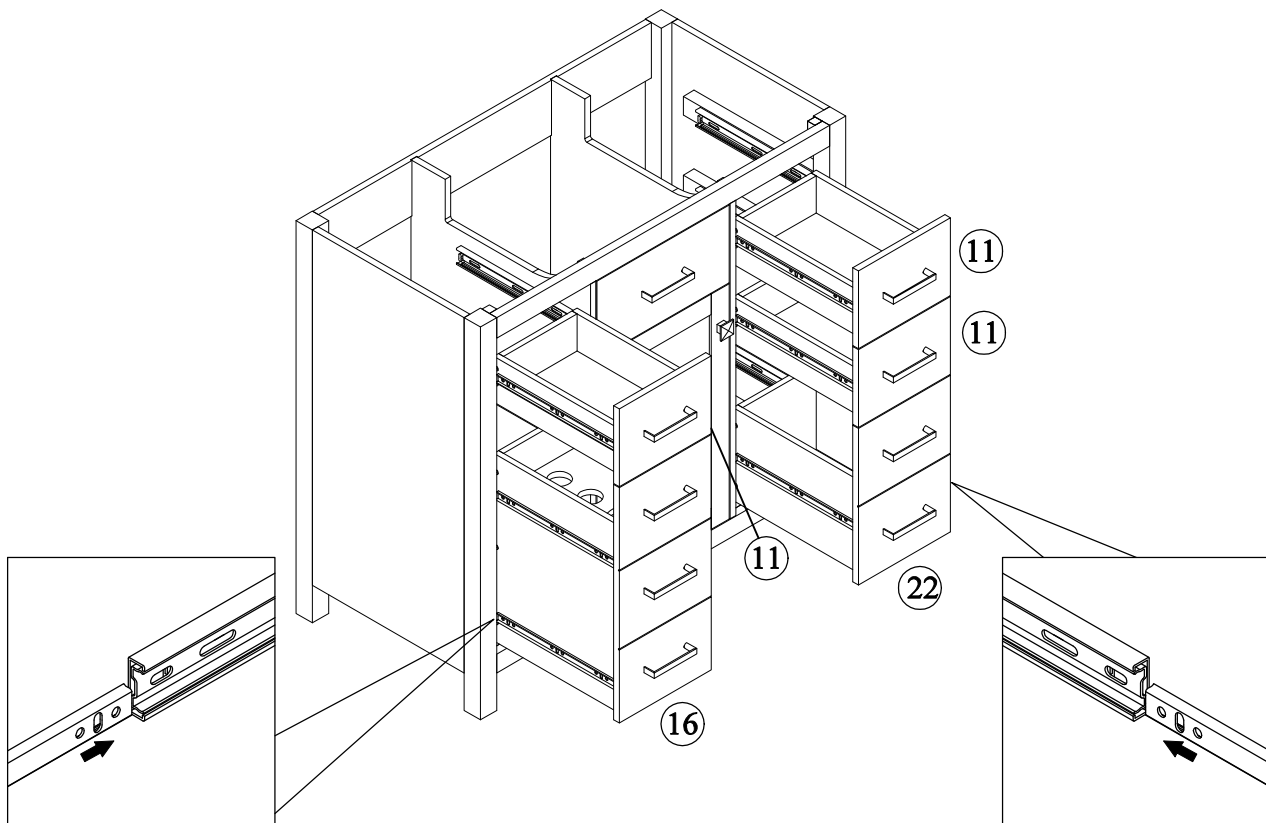


Install 10pcs Screw (F) on the Drawer side (18),(21)

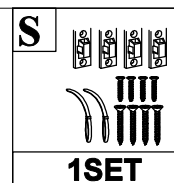
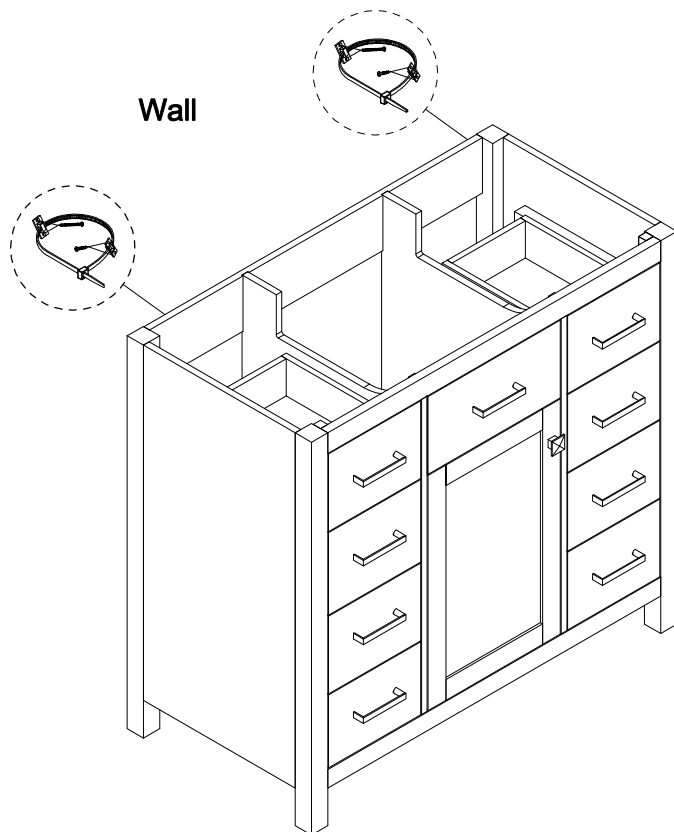


Install 4pcs Screw (F) on the Drawer side (20)

STEP: 13

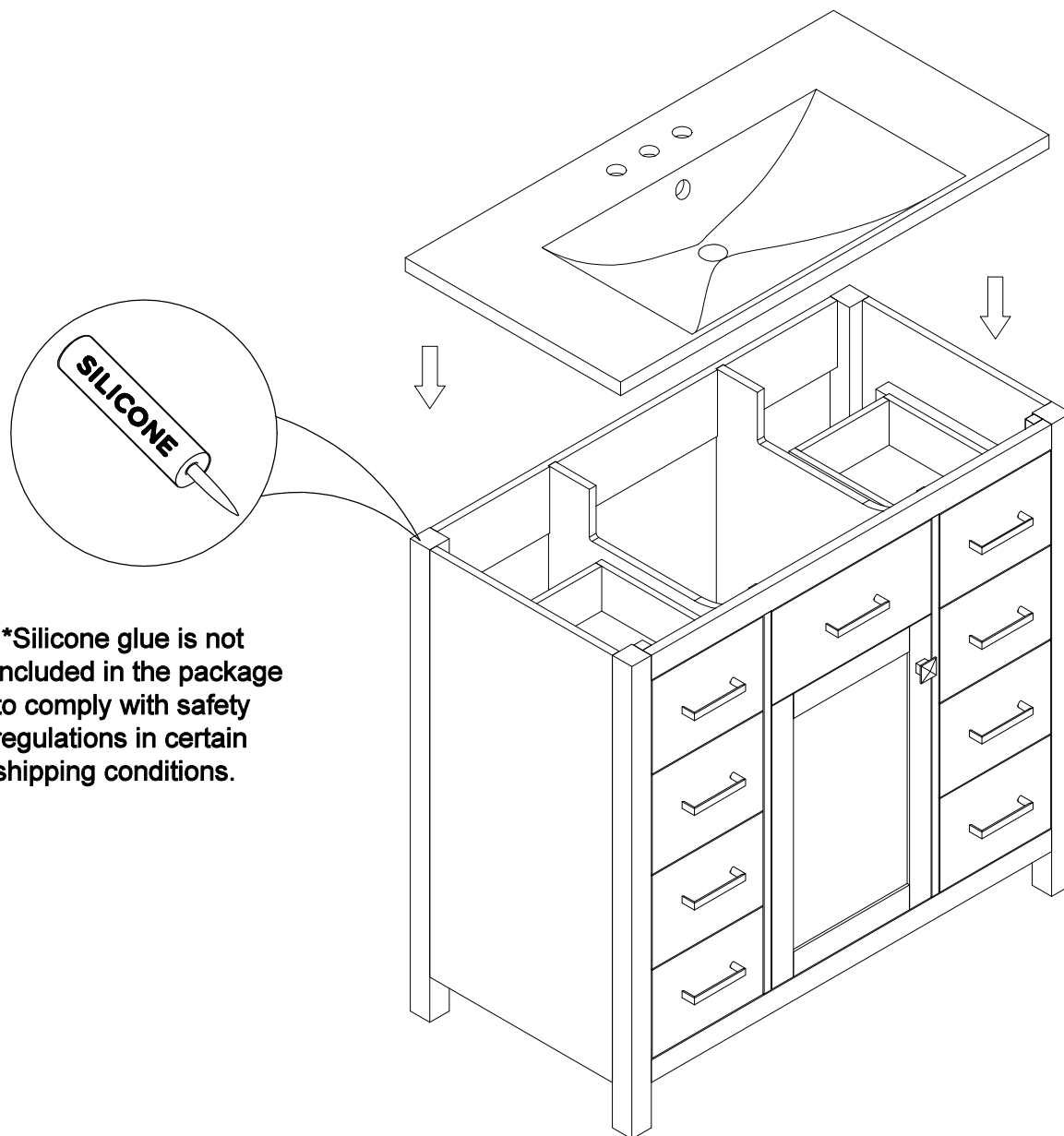


STEP: 14



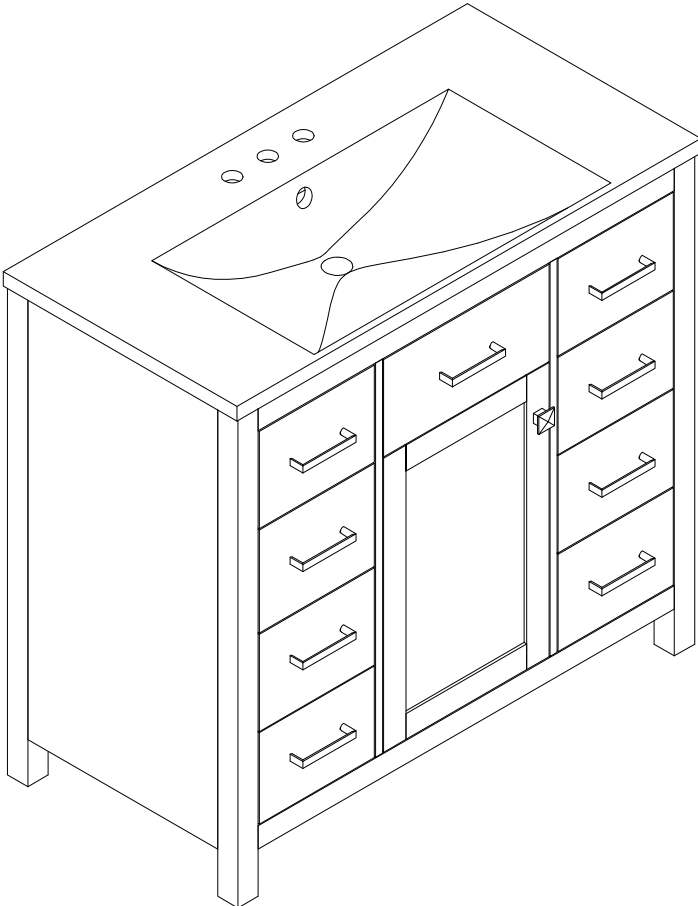
STEP: 15

**Install the sink on the cabinet with glue.
Let stand for 24 hours**

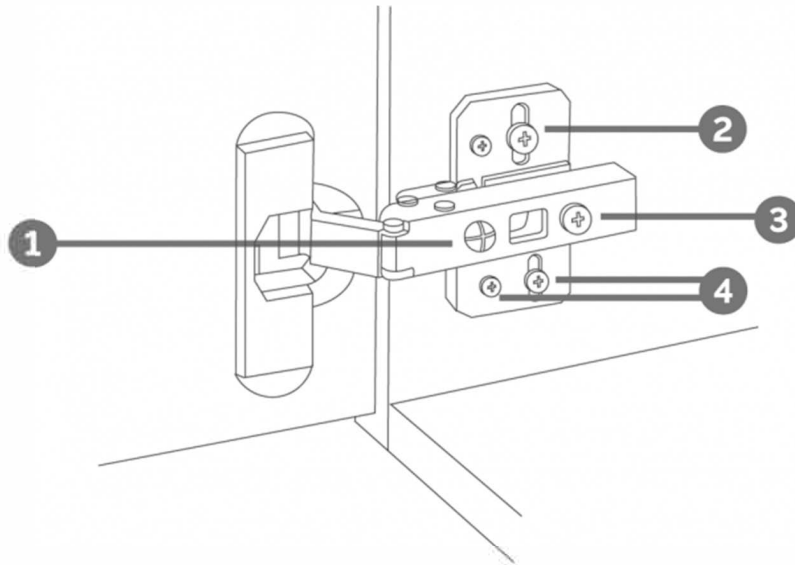


***Silicone glue is not included in the package to comply with safety regulations in certain shipping conditions.**

STEP: 16

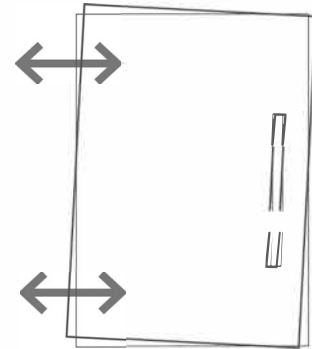


HINGE ADJUSTMENTS



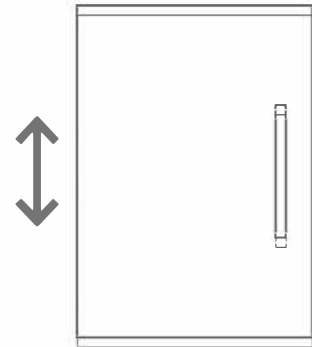
1 Sideways / Tilt adjustment

Turn the screw
clockwise to move the door further away from
the side of the cabinet
anticlockwise to move the door closer to the
side of the cabinet



2 4 Height adjustment

While supporting the weight of the door, turn the
screws
clockwise to move the door up
anticlockwise to move the door down



3 Forward and back adjustment

If the gap between the back of the door and the
cabinet is too small, and the door may not close
fully. Turn the screw
clockwise to decrease the gap between the
door and the cabinet
anticlockwise to increase the gap between the
door and the cabinet

