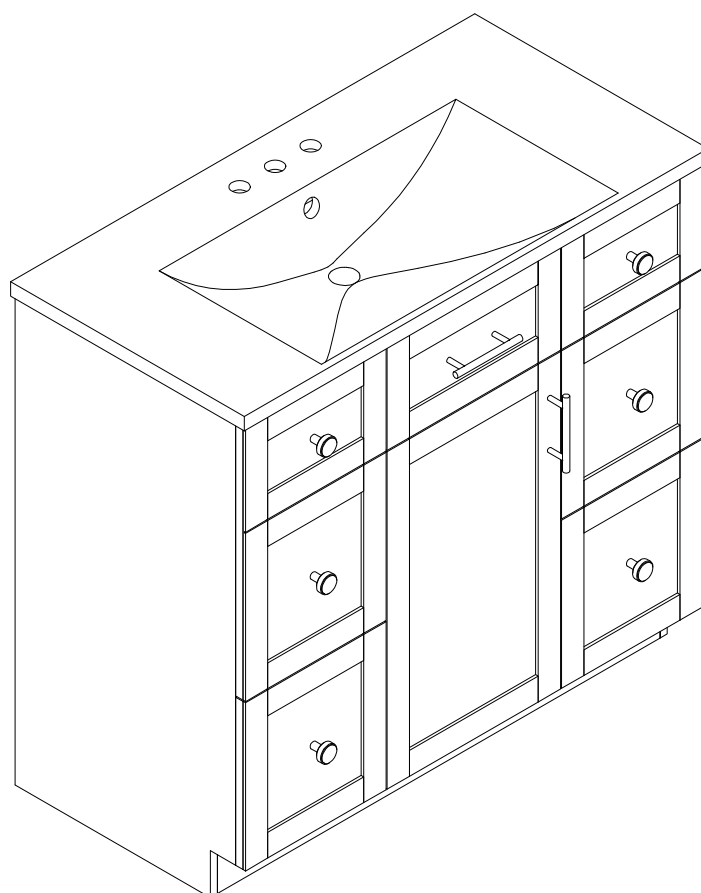


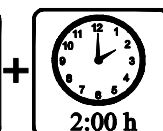
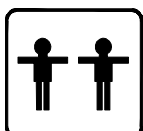
ASSEMBLY INSTRUCTIONS

36 INCH BATH VANITY-CABINET

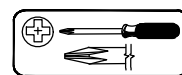


Thank you for purchasing this quality product. Be sure to check all packing material carefully for small parts which may have come loose inside the carton during shipment. Separate, identify and count all parts and hardware. Compare with the parts list to be sure all parts are present.
"DO NOT TIGHTEN SCREWS UNTIL COMPLETELY ASSEMBLED"

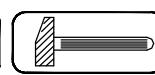
*** Use of power tool to assemble this product will invalidate any claim and damage this product making unsafe !!!**
*** Please assemble on a clean soft surface to avoid damage.**



Tools Required



(Not included)



(Not included)

IMPORTANT:

PLEASE READ INSTRUCTION BEFORE STARTING THE ASSEMBLY

Thank you for buying our products.

Please read the installation manual carefully before installation,

we need you to follow the instructions on the accessories and hardware

step by step assembly complete, our instructions are very detailed.

Products are environmentally friendly products,

Please rest assured that you do not soak in water, do not place very heavy items,

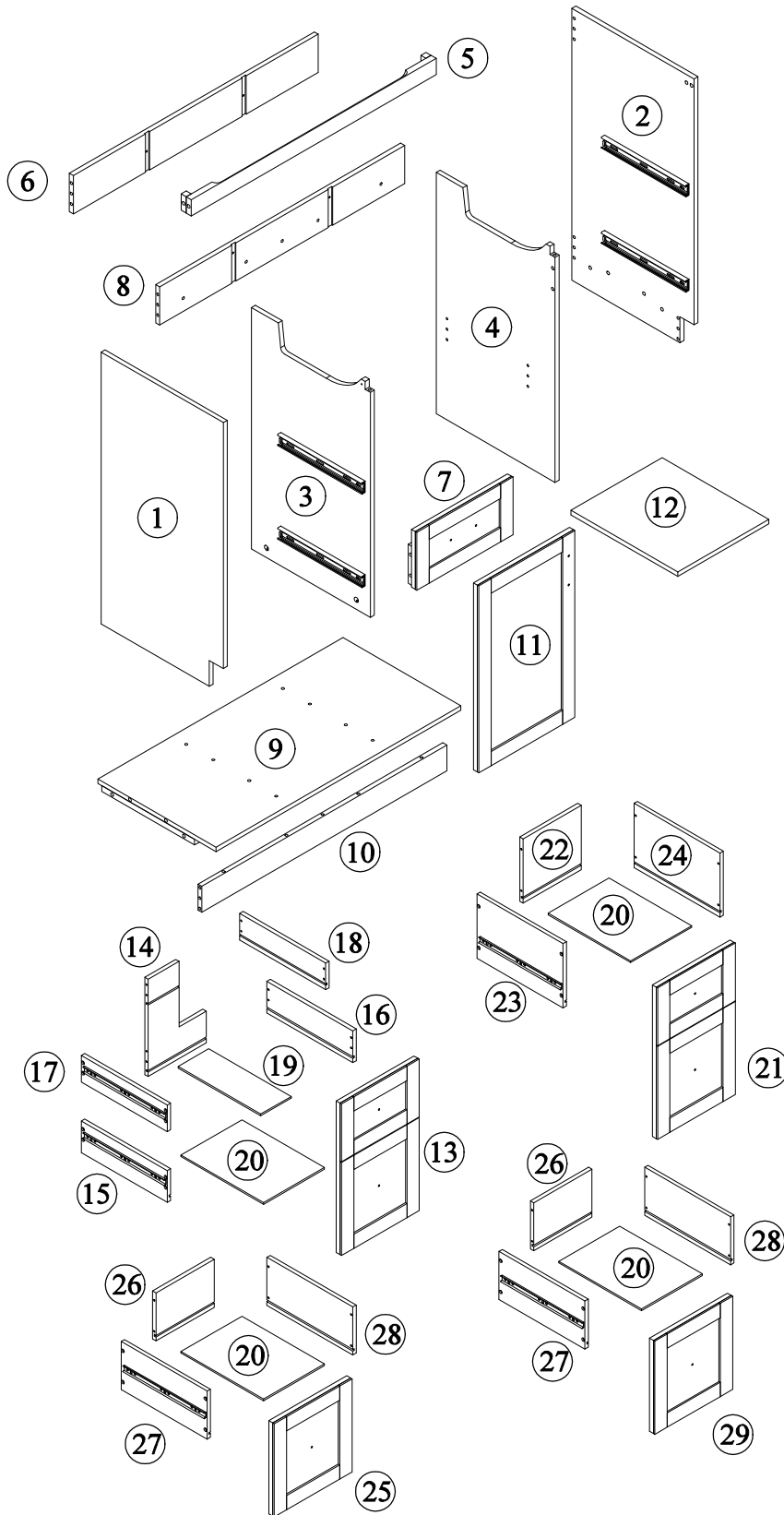
do not malicious push and pull,

if you have any problems in the process of assembly and use, please contact us.

Thank you again for your purchase of our products,





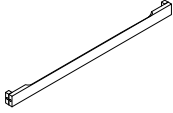
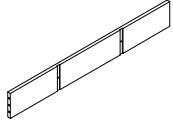
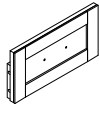
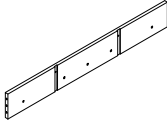
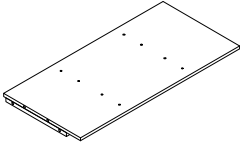
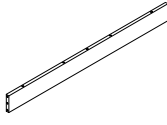

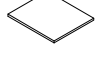
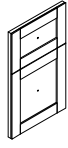
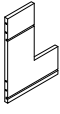
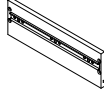
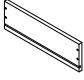
I wish you a happy life.

Detail View - CABINET

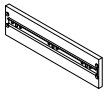
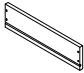

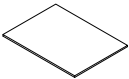
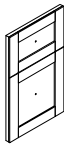
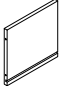
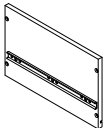
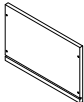
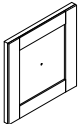
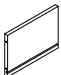
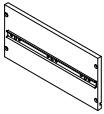
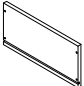
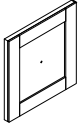


Identifying the Hardware-Identify the hardware using the illustrations below.



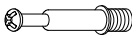



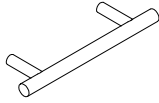

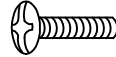


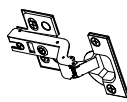
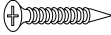
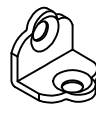

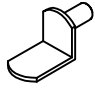
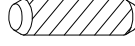

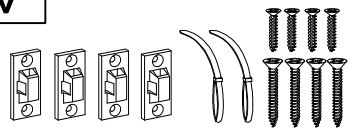
Part List - WF318122

<p>1</p>  <p>Side Panel (L) - 1pc</p>	<p>2</p>  <p>Side Panel (R) - 1pc</p>
<p>3</p>  <p>Panel Mid (L) - 1pc</p>	<p>4</p>  <p>Panel Mid (R) - 1pc</p>
<p>5</p>  <p>Front Bar Top - 1pc</p>	<p>6</p>  <p>Rear Panel Top - 1pc</p>
<p>7</p>  <p>Fake Drawer - 1pc</p>	<p>8</p>  <p>Rear Panel Bottom - 1pc</p>
<p>9</p>  <p>Frame Bottom - 1pc</p>	<p>10</p>  <p>Front Panel Bottom - 1pc</p>
<p>11</p>  <p>Door Cabinet - 1pc</p>	<p>12</p>  <p>Adjustable Shelf - 1pc</p>
<p>13</p>  <p>Top Drawer Face Left - 1pc</p>	<p>14</p>  <p>Top Drawer Panel Rear Left - 1pc</p>
<p>15</p>  <p>Top Drawer Left Panel Side A (L) - 1pc</p>	<p>16</p>  <p>Top Drawer Left Panel Side A (R) - 1pc</p>

Part List - WF318122

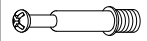
<p>17</p>  <p>Top Drawer Left Panel Side B (L) - 1pc</p>	<p>18</p>  <p>Top Drawer Left Panel Side B (R) - 1pc</p>
<p>19</p>  <p>Panel Bottom(A) - 1pc</p>	<p>20</p>  <p>Panel Bottom (B) - 4pcs</p>
<p>21</p>  <p>Top Drawer Face Right - 1pc</p>	<p>22</p>  <p>Top Drawer Panel Rear Right - 1pc</p>
<p>23</p>  <p>Top Drawer Right Panel Side (L) - 1pc</p>	<p>24</p>  <p>Top Drawer Right Panel Side (R) - 1pc</p>
<p>25</p>  <p>Bottom Drawer Face Left - 1pc</p>	<p>26</p>  <p>Bottom Drawer Panel Rear - 2pcs</p>
<p>27</p>  <p>Bottom Drawer Panel Side (L) - 2pcs</p>	<p>28</p>  <p>Bottom Drawer Panel Side (R) - 2pcs</p>
<p>29</p>  <p>Bottom Drawer Face Right - 1pc</p>	

Hardware List - WF318122

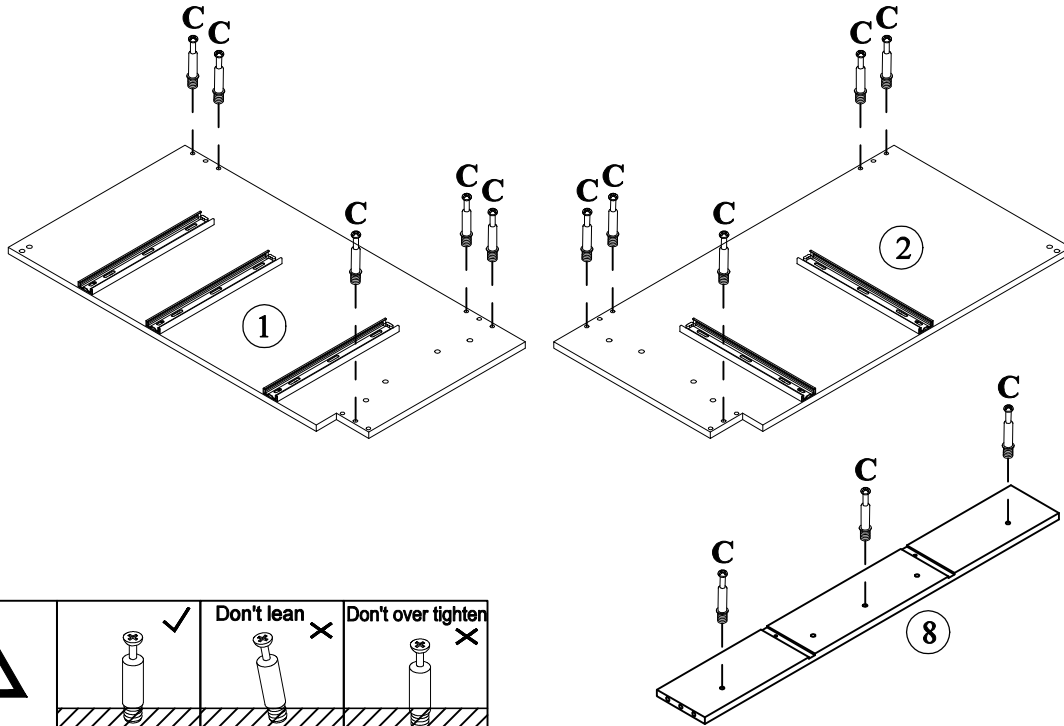
<p>A</p>  <p>ø13x1/4"x28mm Hex-Head bolts (10pcs)</p>	<p>B</p>  <p>ø1/4"x16x1mm Washer (10pcs)</p>	<p>C</p>  <p>ø6x35mm Three in one bolts (20pcs)</p>
<p>D</p>  <p>ø14.5x12mm Three in one lock (20pcs)</p>	<p>E</p>  <p>ø8xø4x25mm Round head screw (4pcs)</p>	<p>F</p>  <p>ø8xø4x32mm Round head screw (40pcs)</p>
<p>G</p>  <p>Handle (2pcs)</p>	<p>H</p>  <p>Handle (6pcs)</p>	<p>I</p>  <p>ø5/32"x15mm Handle screw (4pcs)</p>
<p>J</p>  <p>ø5/32"x20mm Handle screw (2pcs)</p>	<p>K</p>  <p>ø5/32"x28mm Handle screw (4pcs)</p>	<p>L</p>  <p>Damping hinge (2pcs)</p>
<p>M</p>  <p>ø7xø3.5x15mm Flat head screw (12pcs)</p>	<p>Q</p>  <p>L-Bracket (2pc)</p>	<p>R</p>  <p>ø7xø3.5x12mm Round head screw (4pcs)</p>
<p>S</p>  <p>Laminate pad(4pcs)</p>	<p>T</p>  <p>ø8x30mm Wood dowel (24pcs)</p>	<p>U</p>  <p>4mm Allen key (1pc)</p>
<p>V</p>  <p>Anti fall hardware (1set)</p>		

STEP: 1

C



13PCS



STEP: 2

A

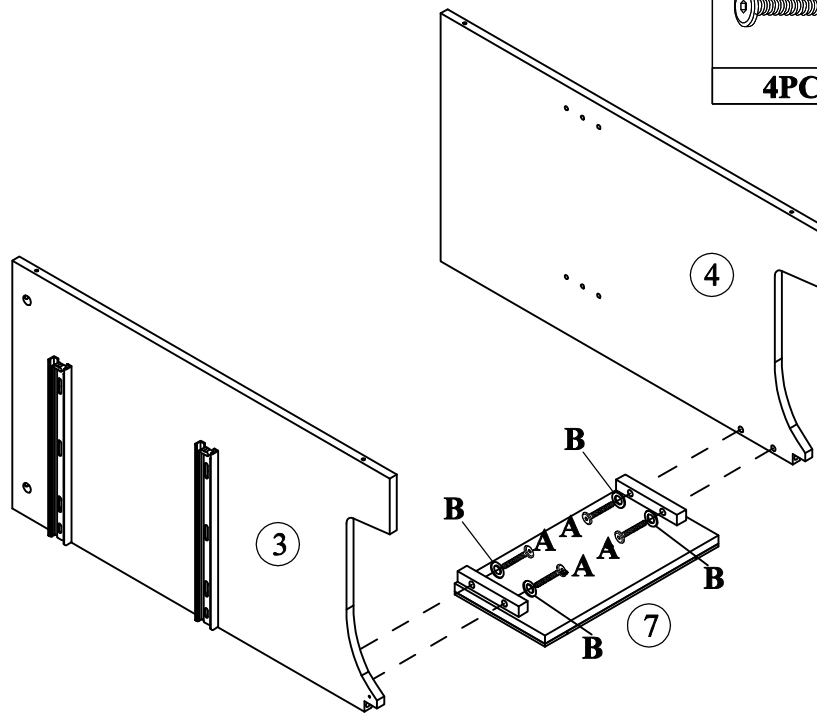


4PCS




B

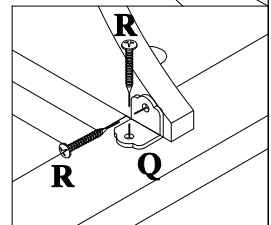
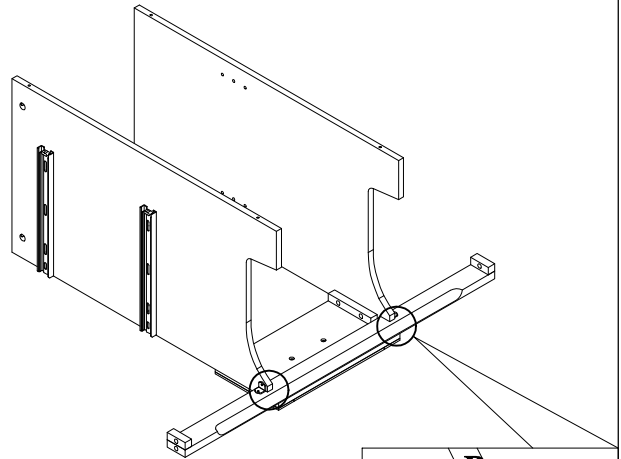
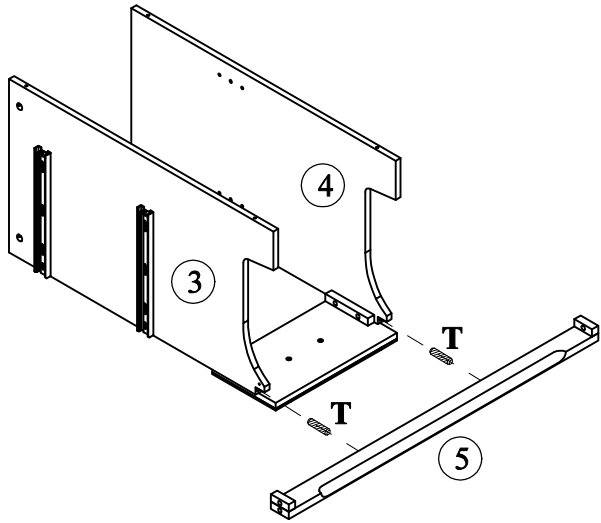


4PCS

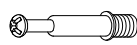




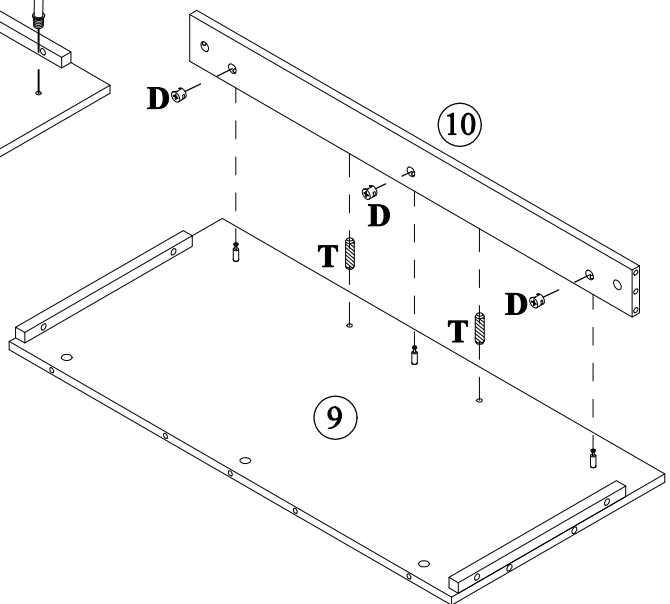
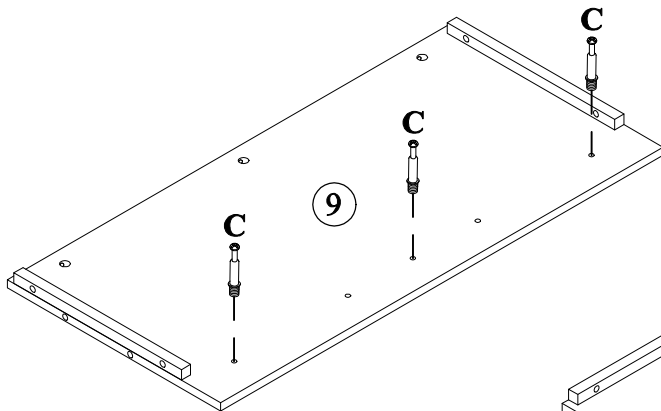
STEP: 3

Q 	R 	T 
2PCS	4PCS	2PCS

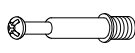

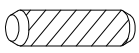


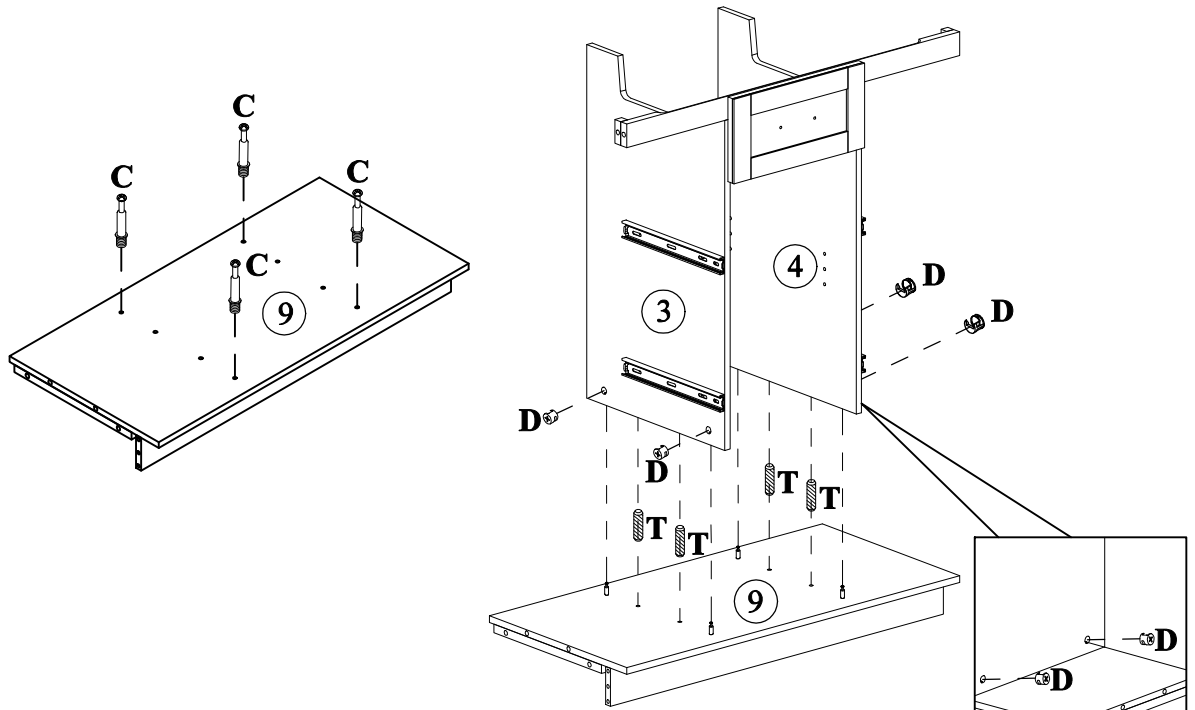
STEP: 4

C 	D 	T 
3PCS	3PCS	2PCS



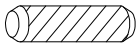


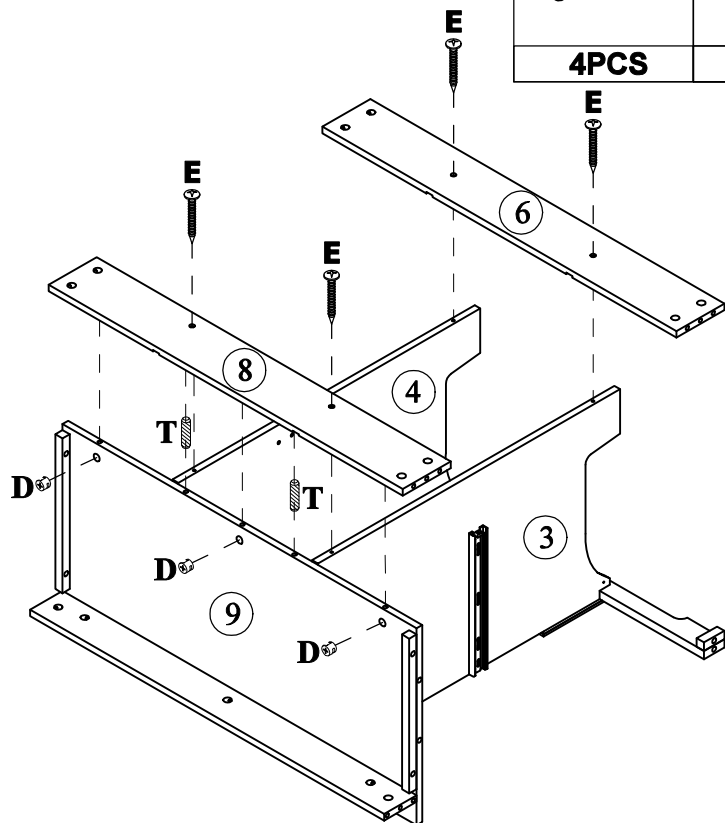
STEP: 5

C	D	T
		
4PCS	4PCS	4PCS







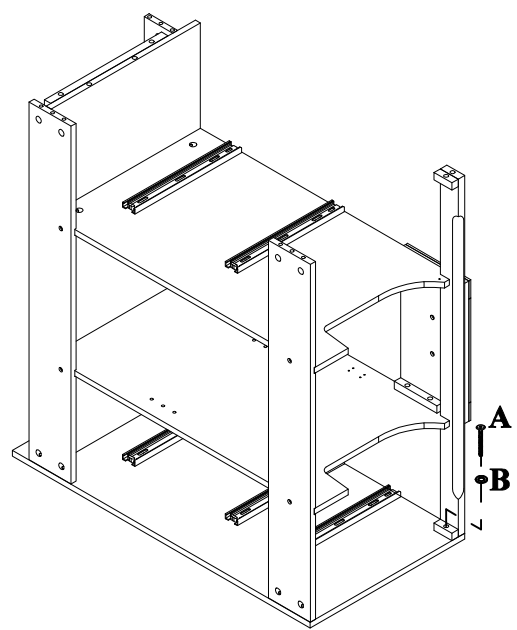
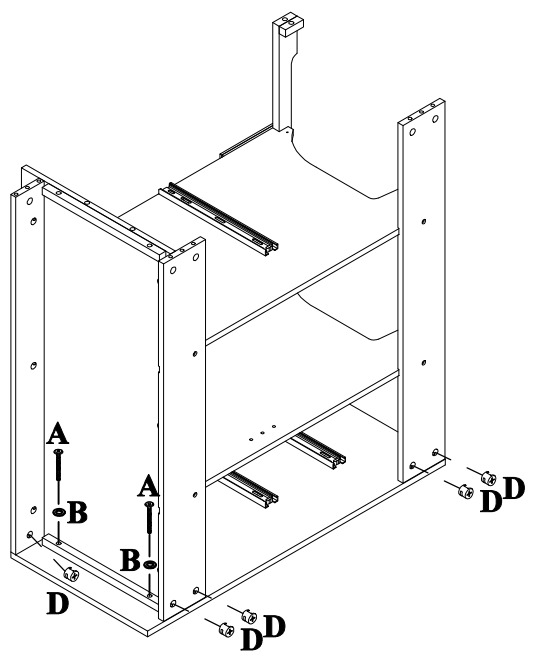
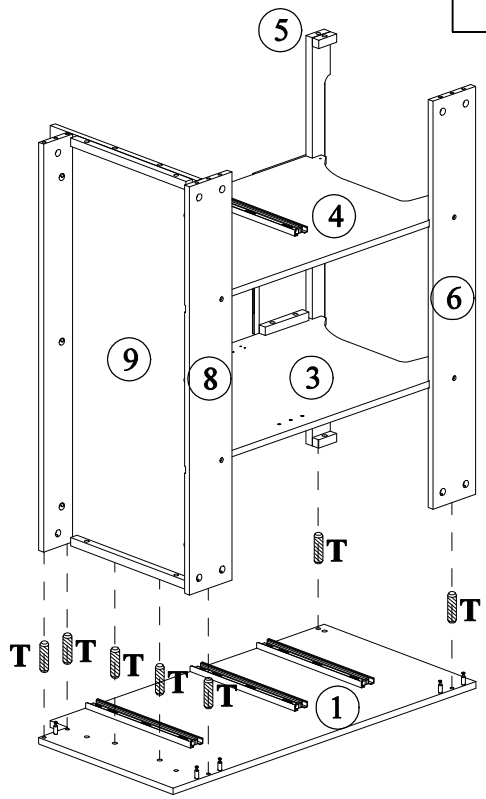
STEP: 6

E	D	T
		
4PCS	3PCS	2PCS

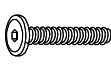


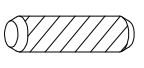


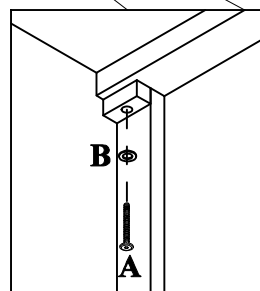
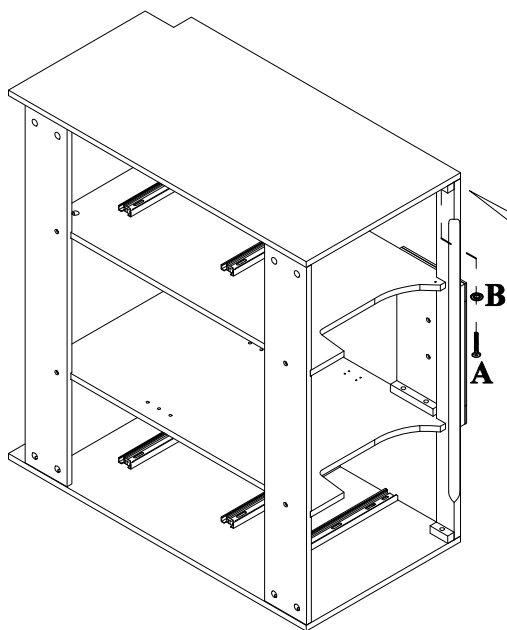
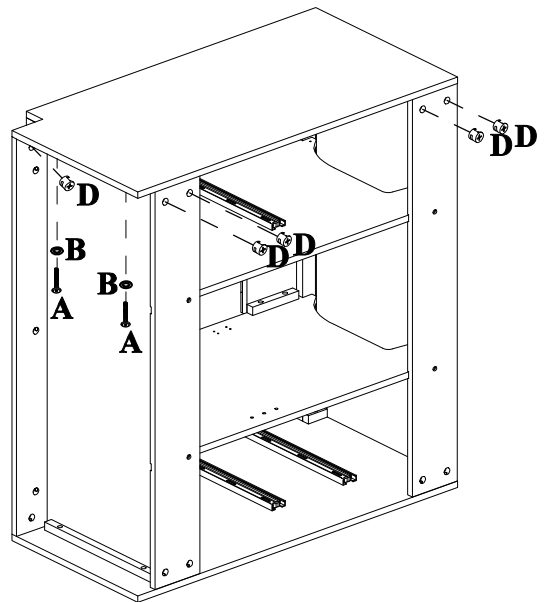
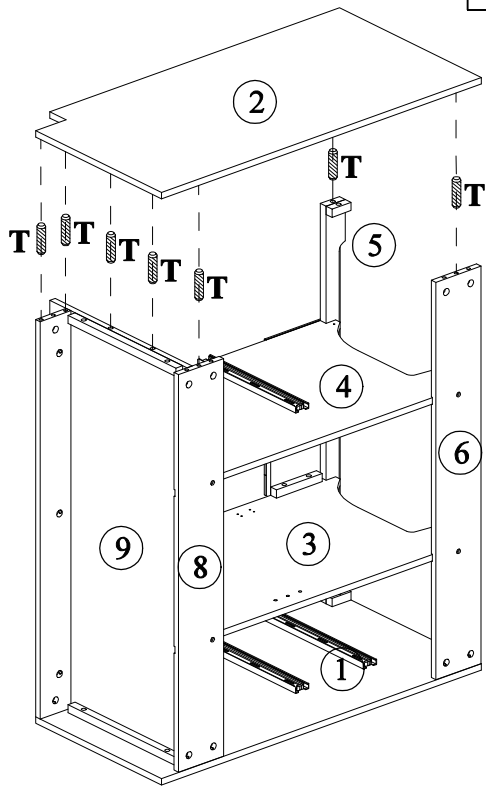
STEP: 7

A	B	D	T
			
3PCS	3PCS	5PCS	7PCS





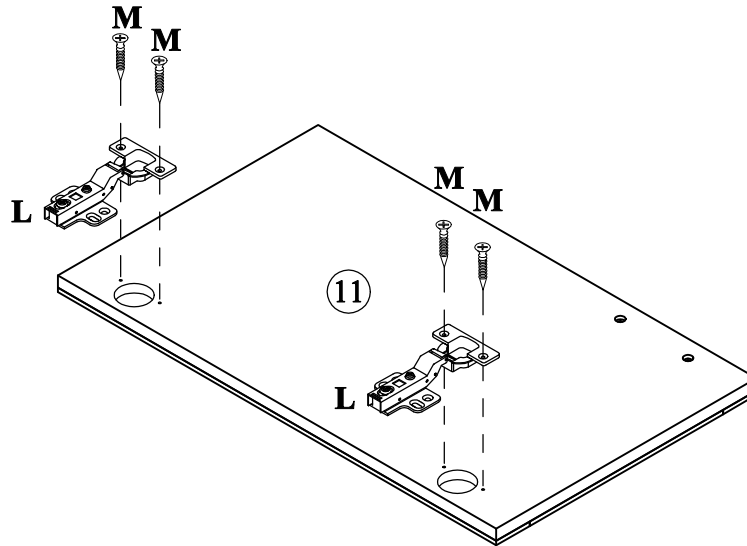
STEP: 8

A	B	D	T
			
3PCS	3PCS	5PCS	7PCS

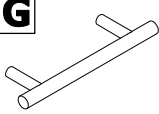
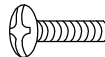
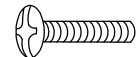
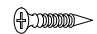


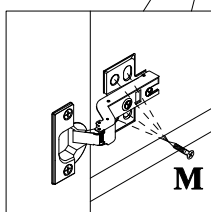
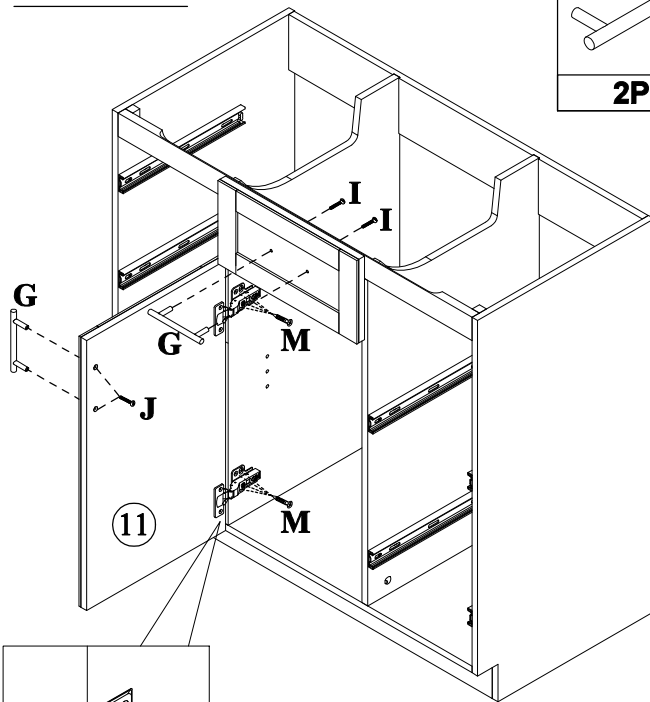
STEP: 9

L		M	
	2PCS		4PCS



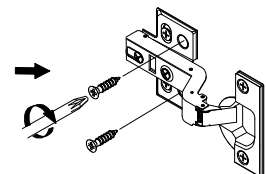
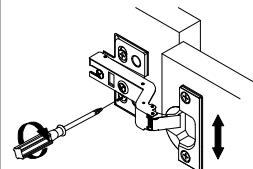
STEP: 10

G		I		J		M	
	2PCS		2PCS		2PCS		8PCS



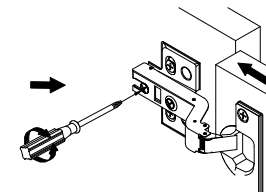
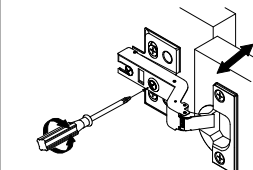
Use the screws to adjust up or down

Use the screws to permanent


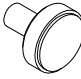
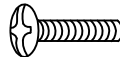
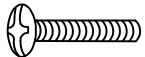


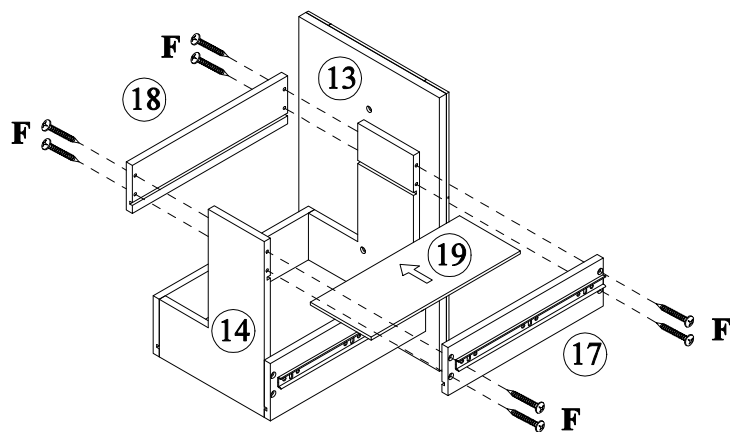
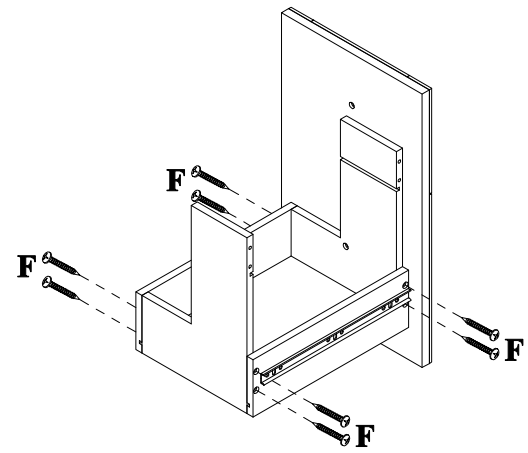
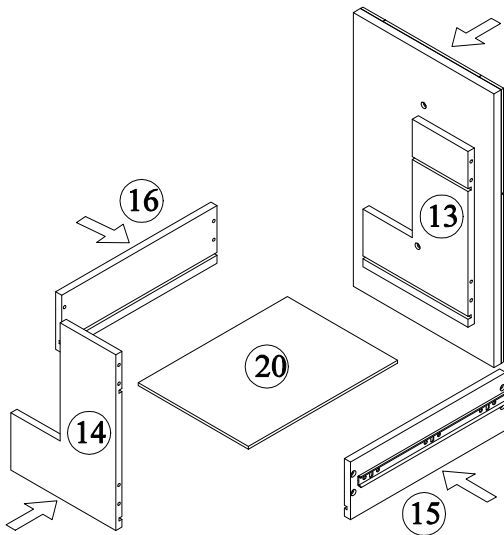
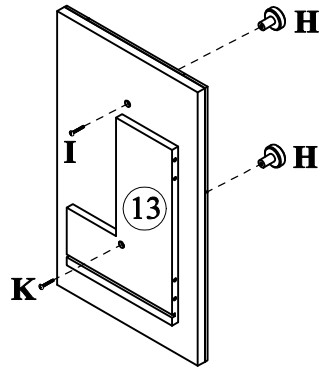
Use the screws to adjust left or right

Use the screws to adjust in or out



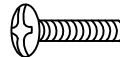
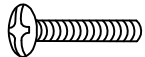


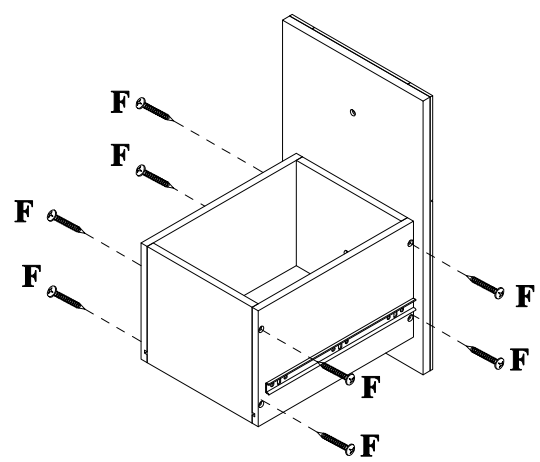
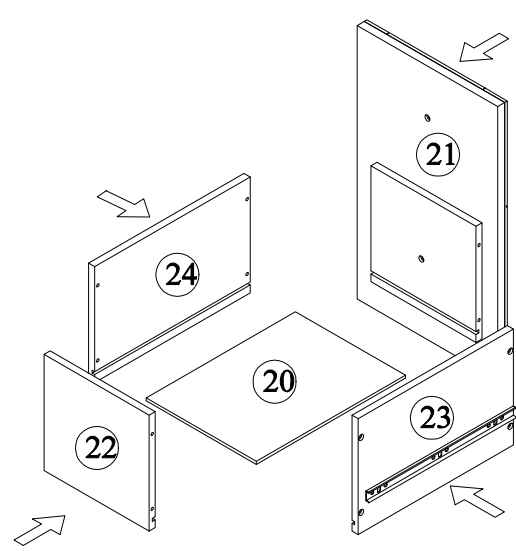
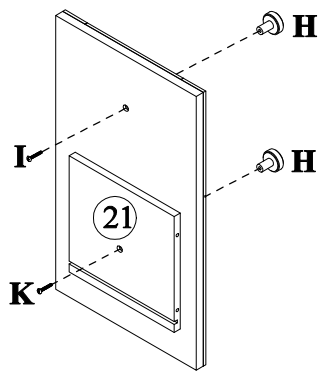
STEP: 11

F	H	I	K
			
16PCS	2PCS	1PC	1PC


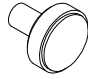



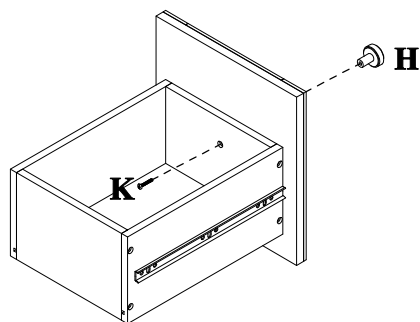
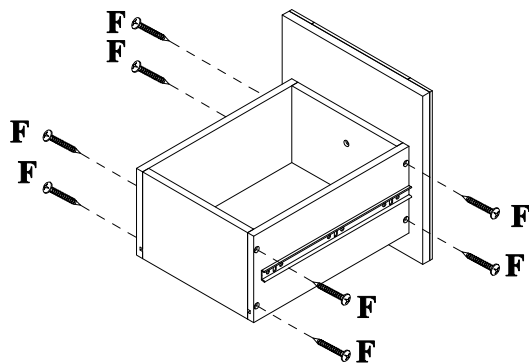
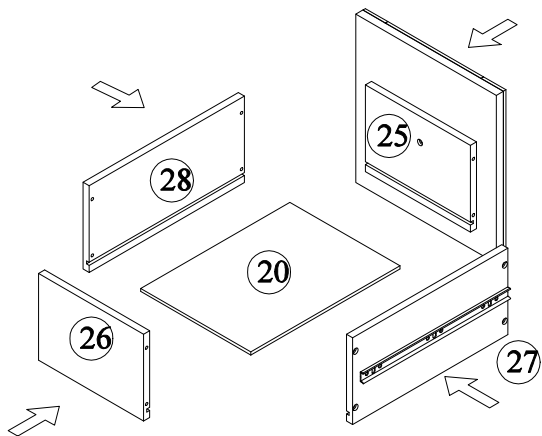
STEP: 12

F 	H 	I 	K 
8PCS	2PCS	1PC	1PC


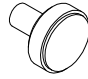
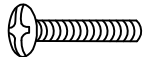


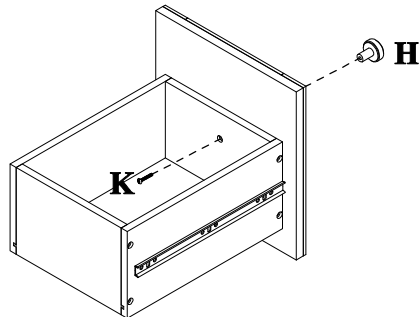
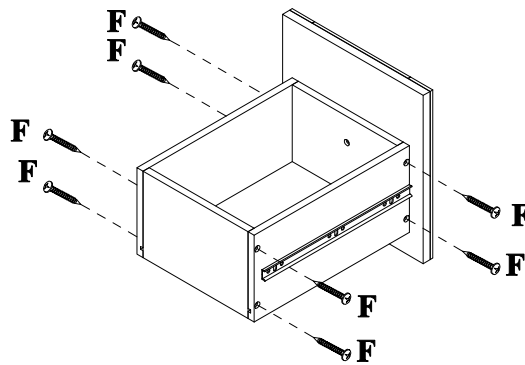
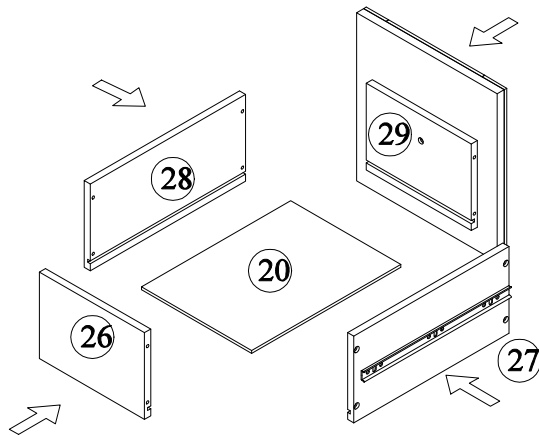
STEP: 13

F 	H 	K 
8PCS	1PC	1PC



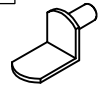
STEP: 14

F 	H 	K 
8PCS	1PC	1PC

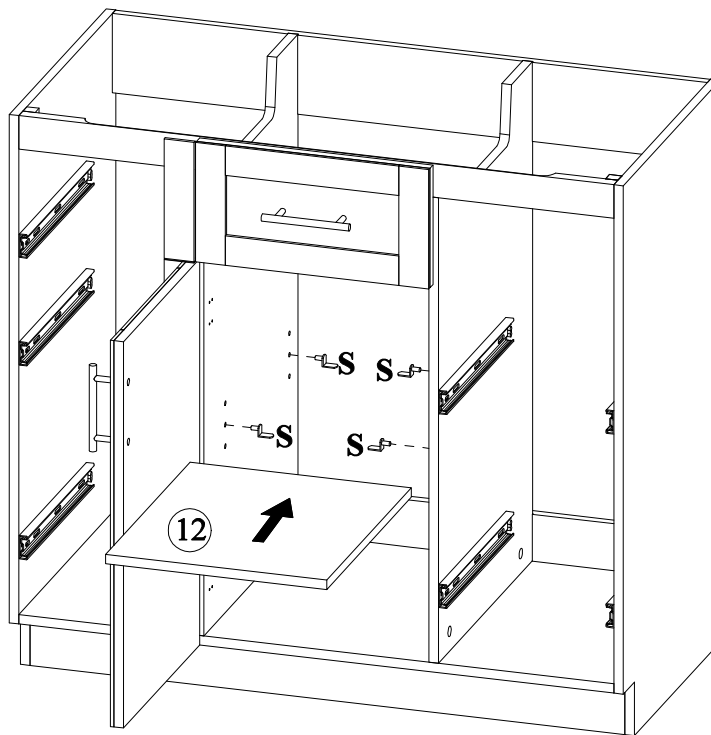


STEP: 15

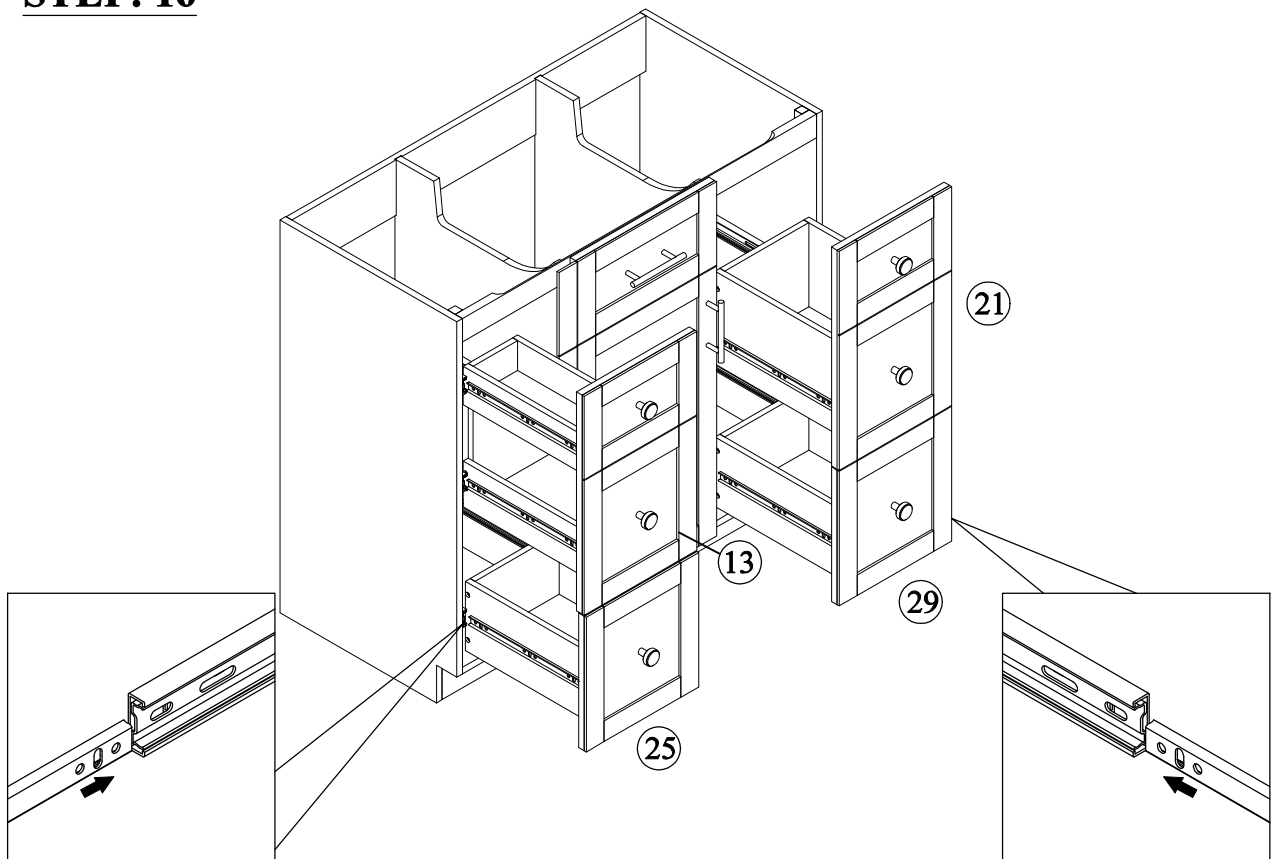
S



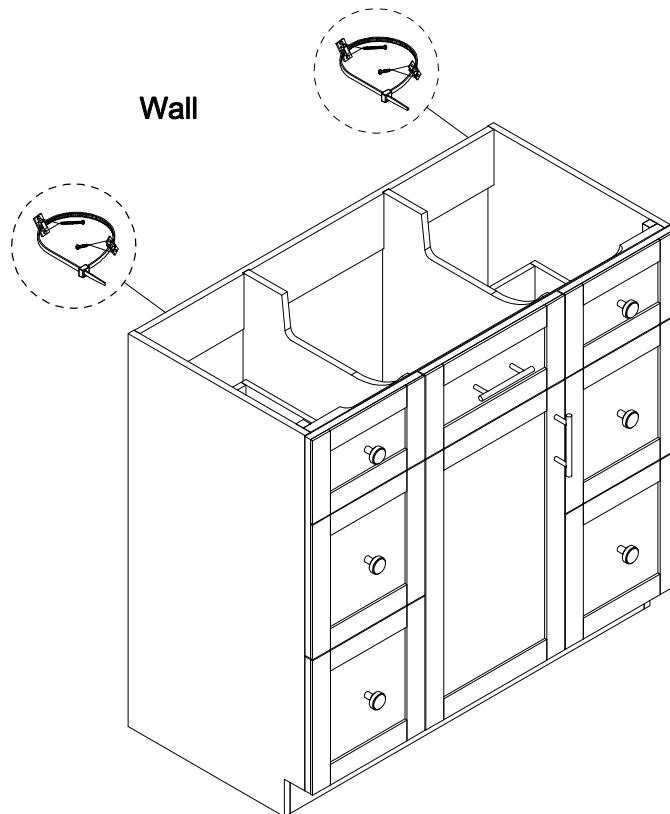
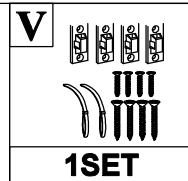
4PCS



STEP: 16

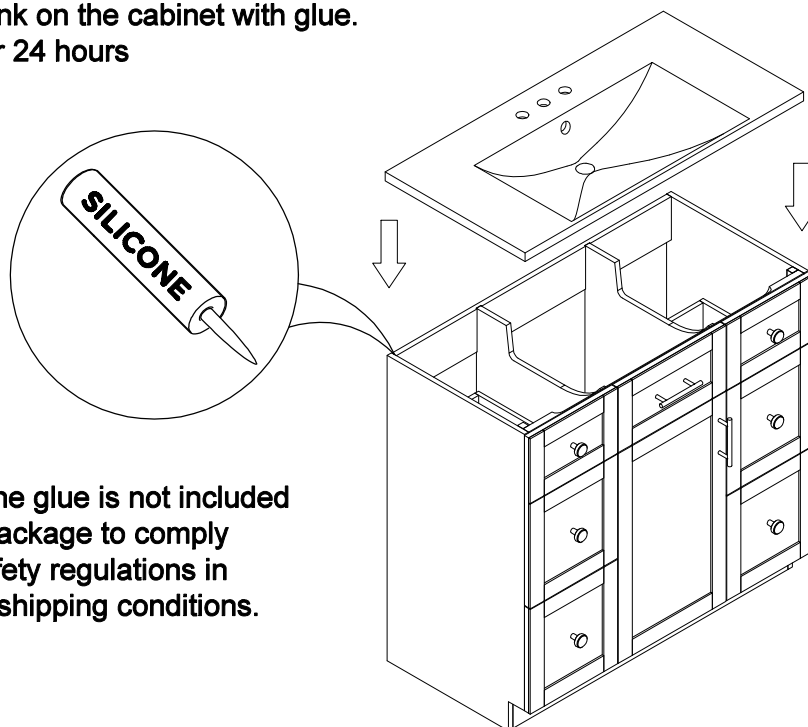


STEP: 17



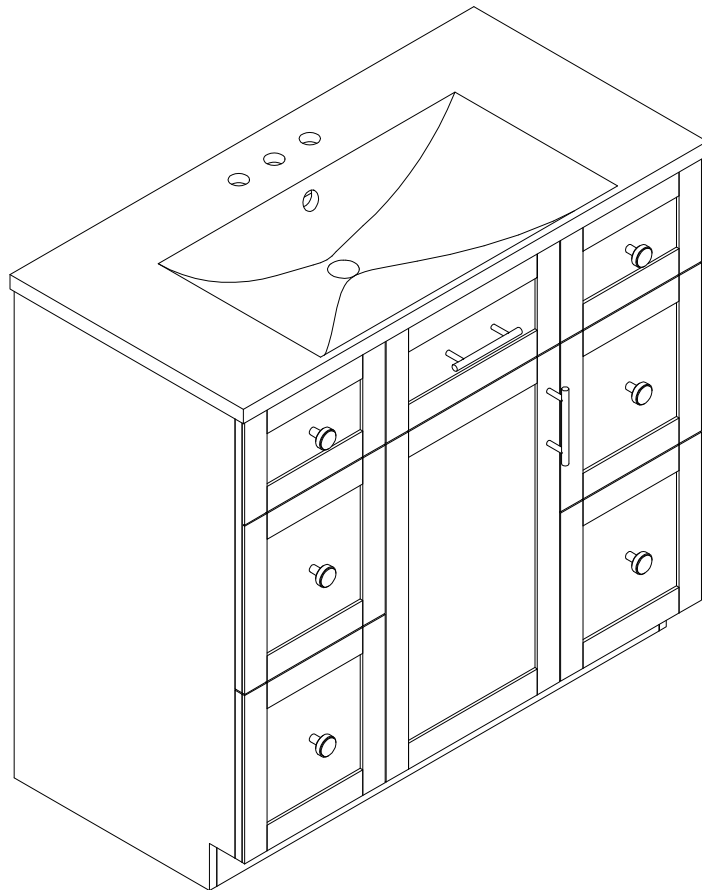
STEP: 18

Install the sink on the cabinet with glue.
Let stand for 24 hours

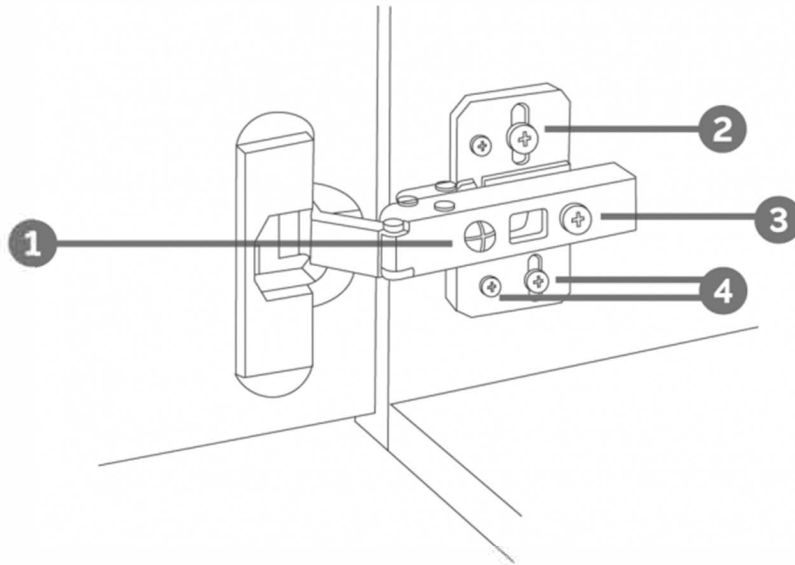


*Silicone glue is not included
in the package to comply
with safety regulations in
certain shipping conditions.

STEP: 19

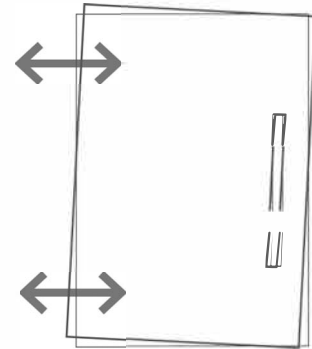


HINGE ADJUSTMENTS



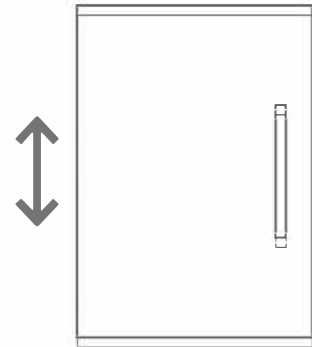
1 Sideways / Tilt adjustment

Turn the screw
clockwise to move the door further away from
the side of the cabinet
anticlockwise to move the door closer to the
side of the cabinet



2 4 Height adjustment

While supporting the weight of the door, turn the
screws
clockwise to move the door up
anticlockwise to move the door down



3 Forward and back adjustment

If the gap between the back of the door and the
cabinet is too small, and the door may not close
fully. Turn the screw
clockwise to decrease the gap between the
door and the cabinet
anticlockwise to increase the gap between the
door and the cabinet

