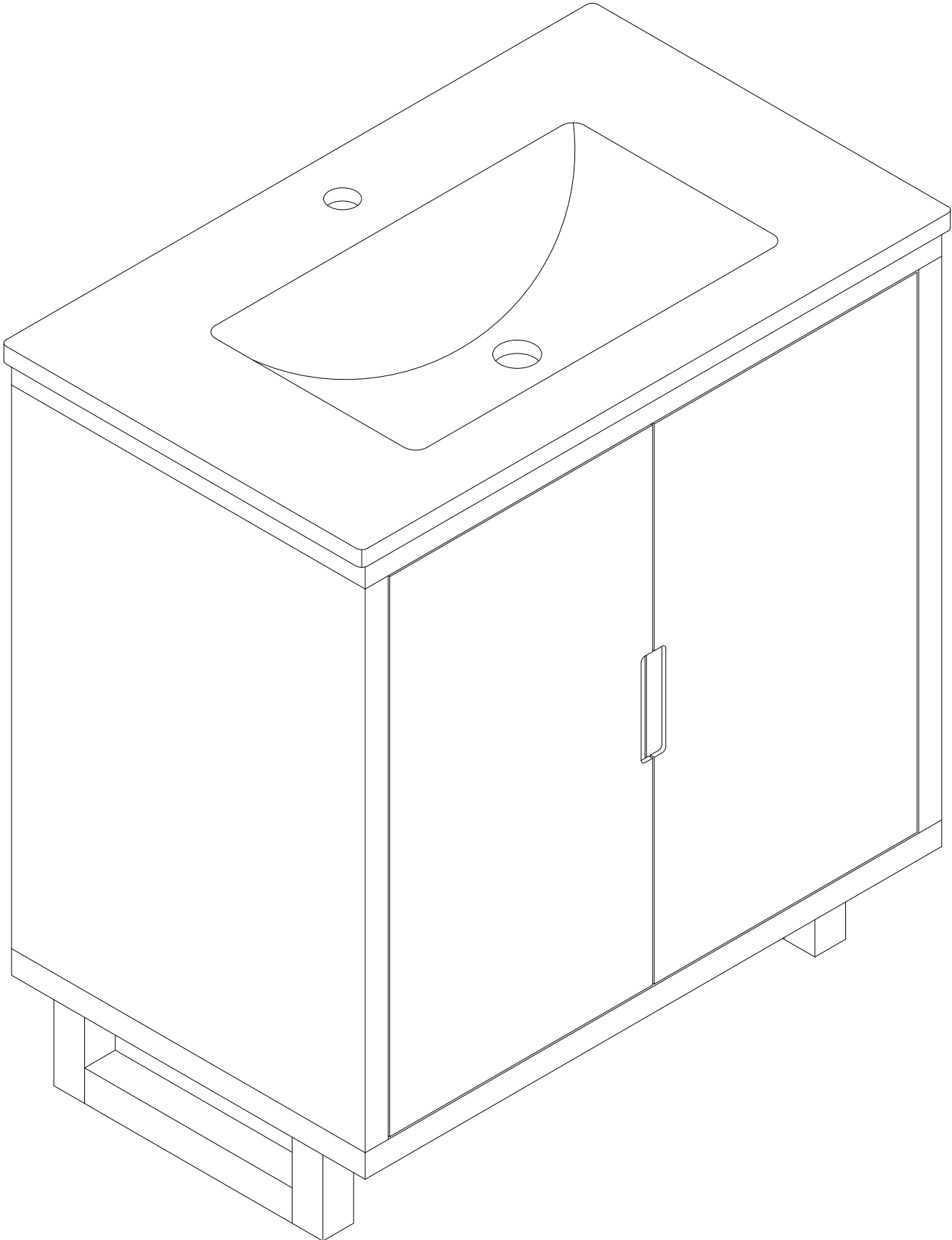
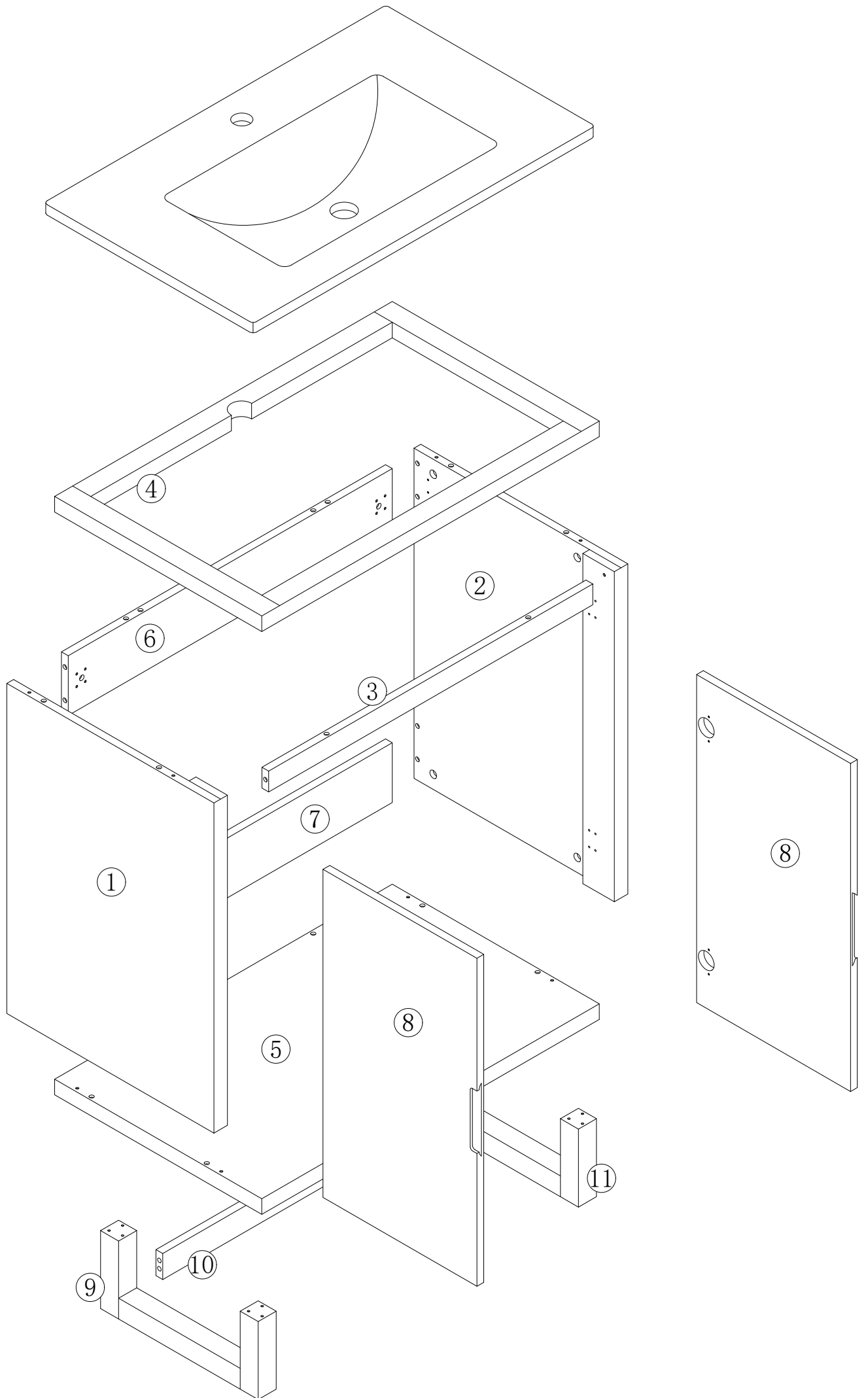
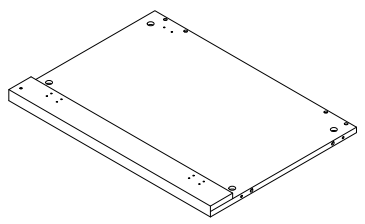
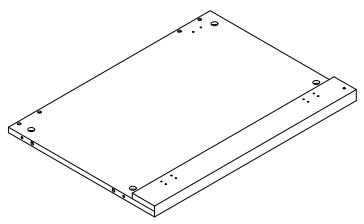
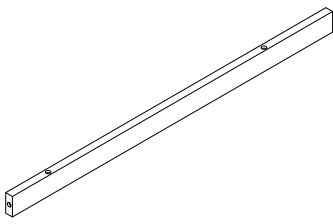
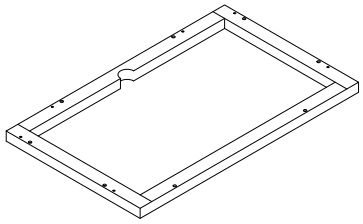
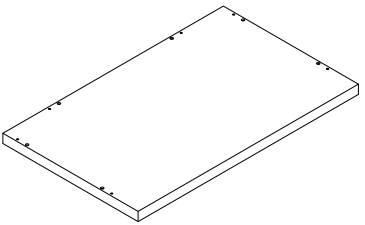
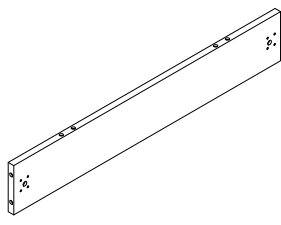
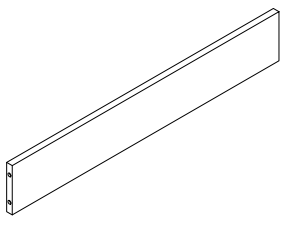
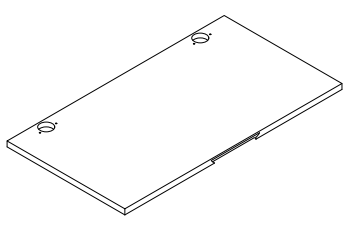
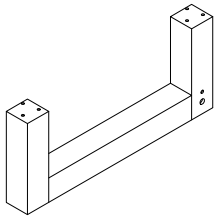
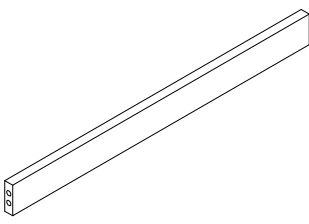
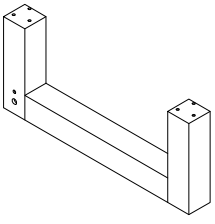


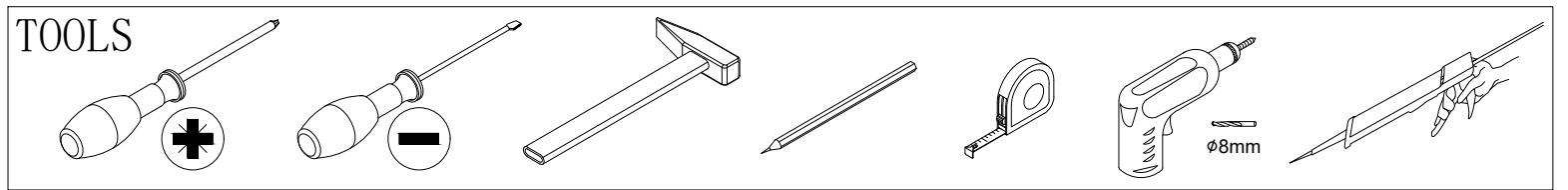
# ASSEMBLY INSTRUCTION

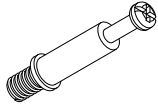




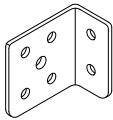
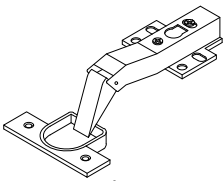

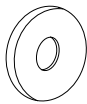
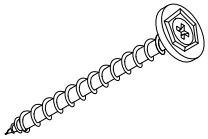
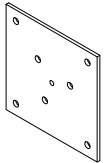
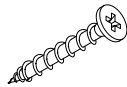
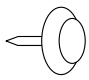
## WF298296AAB



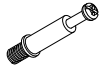



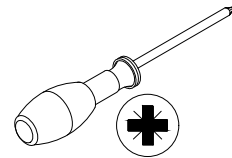
			
① x1	② x1	③ x1	④ x1
			
⑤ x1	⑥ x1	⑦ x1	⑧ x2
			
⑨ x1	⑩ x1	⑪ x1	



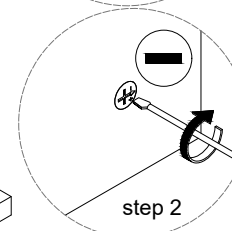
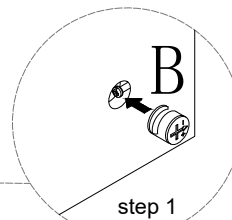
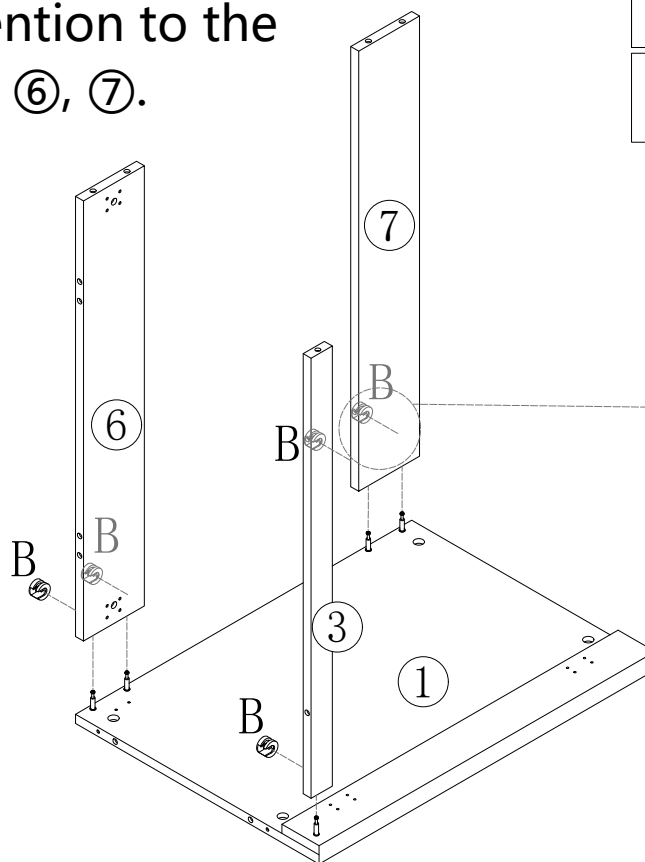
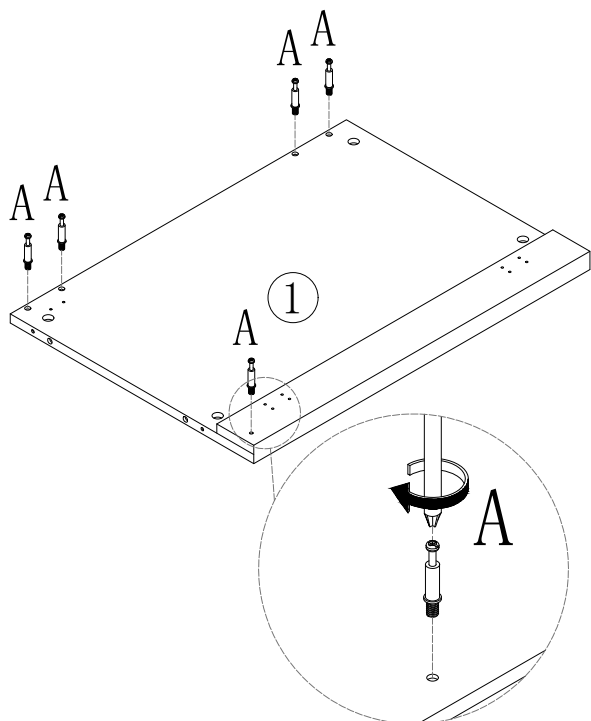
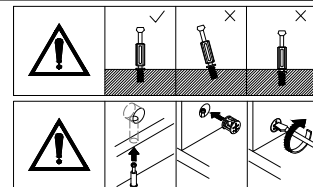
A * 24+2	B * 24+2	C * 16+1	D * 28+2	E * 24+2
				
M6 X 35mm	Ø15 x 12mm	Ø8 x 30mm	M4 x 14mm	M4 x 14mm
F * 2	G * 4	H * 2	I * 2	J * 2
				
	Ø35	Ø8 x 40mm	Ø20	M6 x 60mm
K * 4	L * 12+1	M * 4		
				
	M4 x 35mm	Ø5 x 15mm		

# Setp 1



A * 5	B * 5
	
M6 X 35mm	Ø15 x 12mm

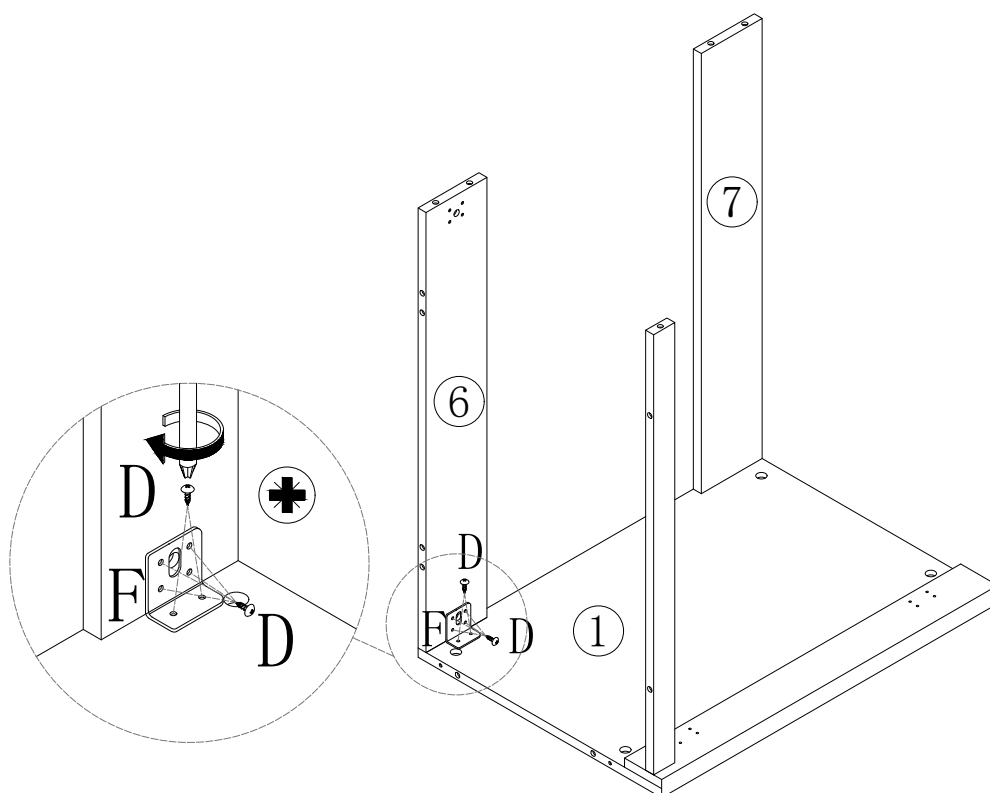
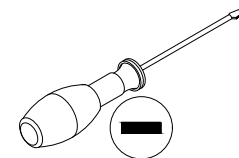


Please pay attention to the direction of ③, ⑥, ⑦.



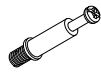
# Setp 2

D * 6	F * 1
	
M4 x 14mm	

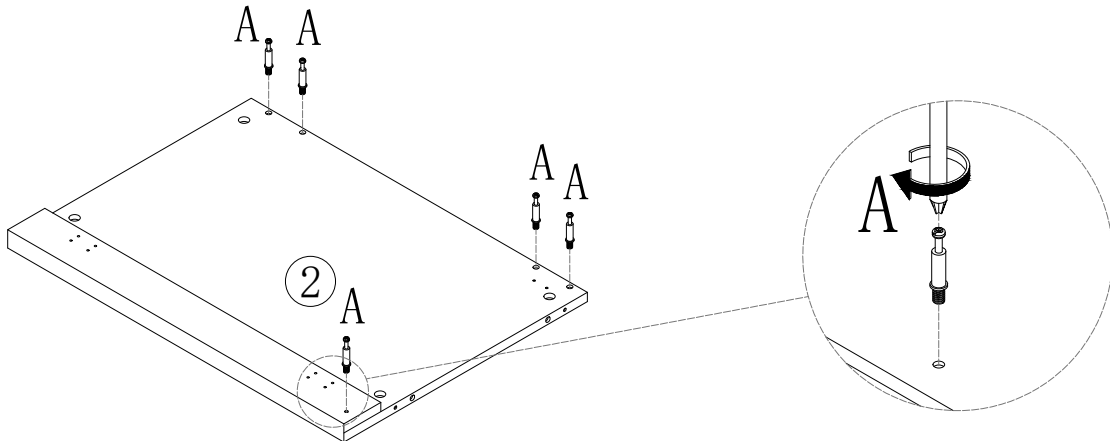
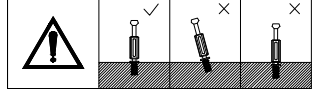
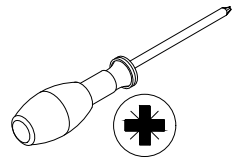


# Setp 3

A \* 5



M6 X 35mm

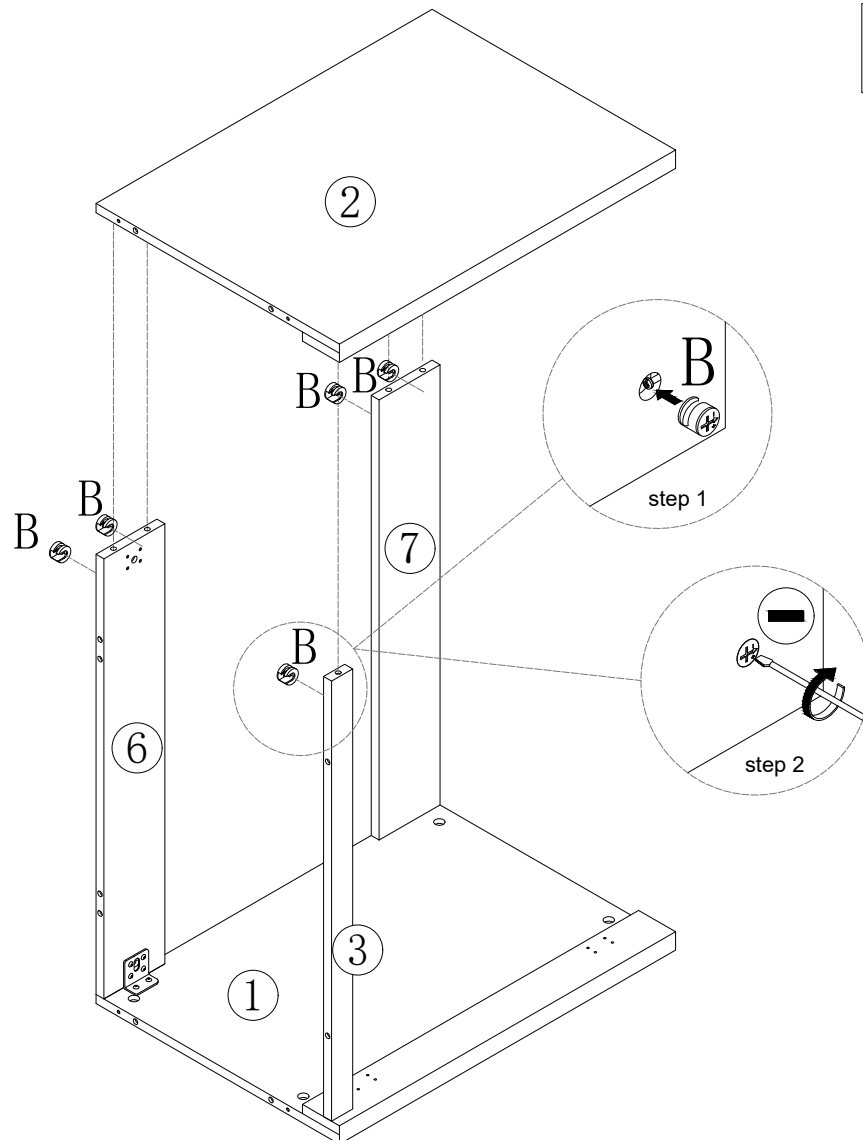
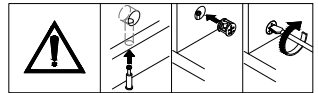
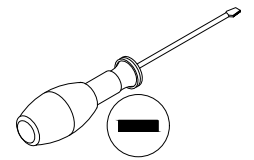


# Setp 4


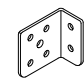

B \* 5

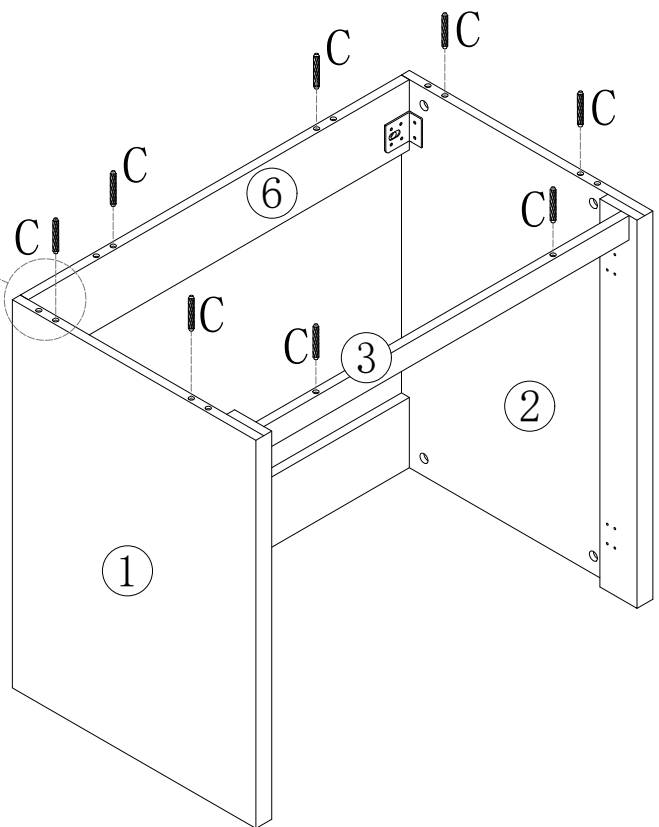
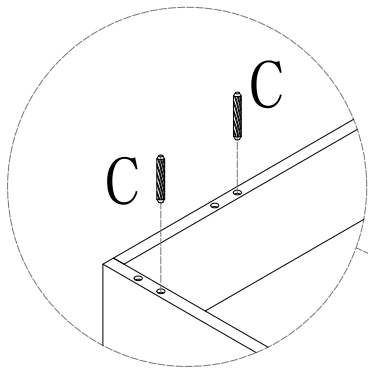
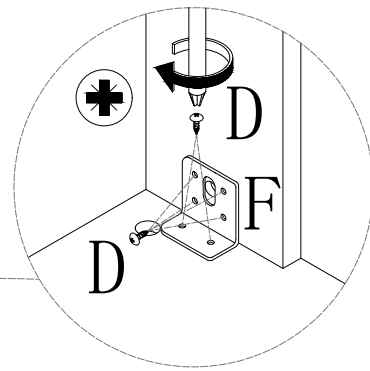
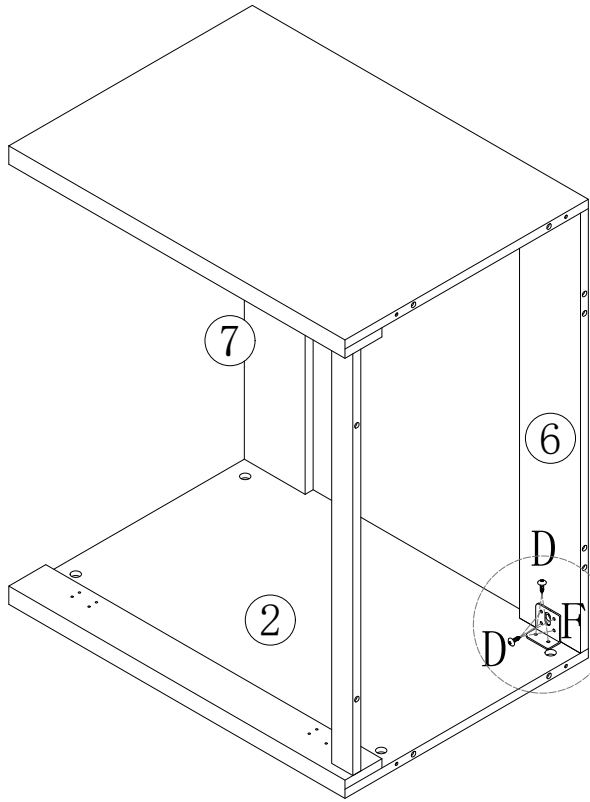
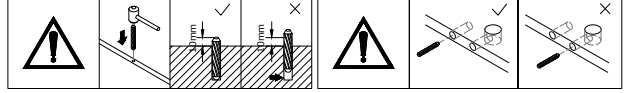
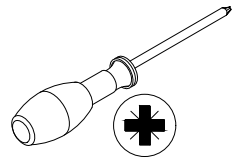


Ø15 x 12mm



# Setp 5

D * 6	F * 1	C * 8
 M4 x 14mm		 Ø8 x 30mm

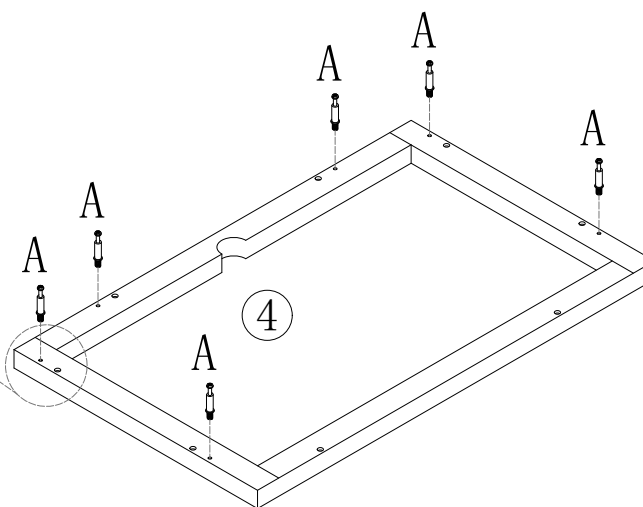
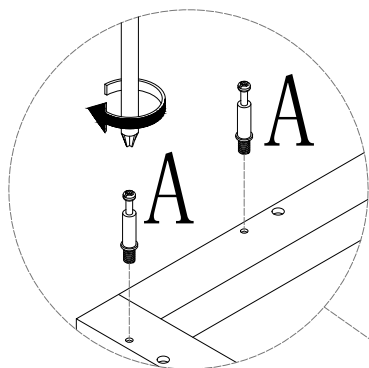
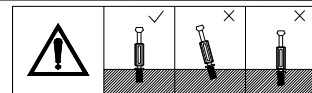


# Setp 6

A \* 6



M6 X 35mm

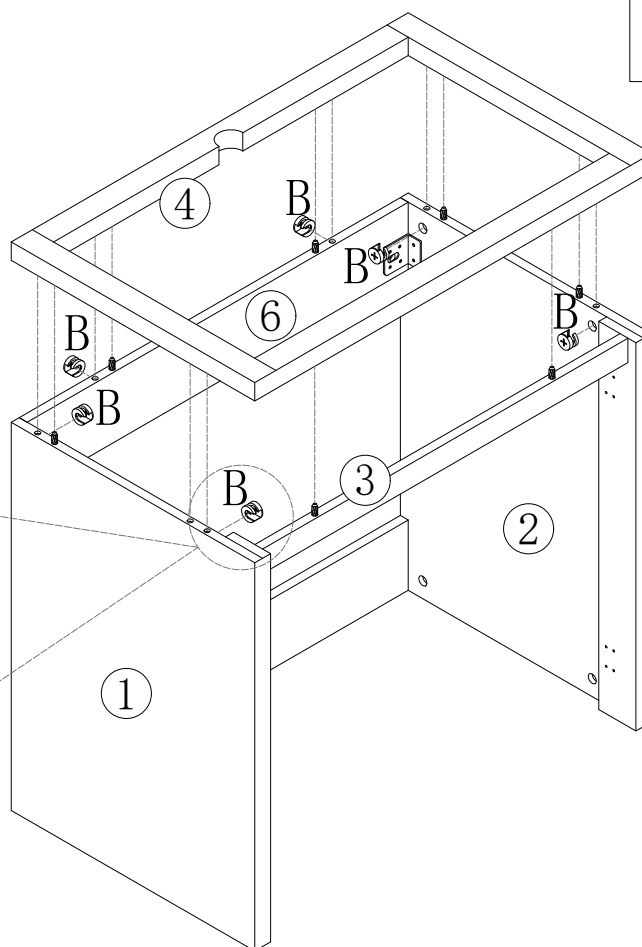
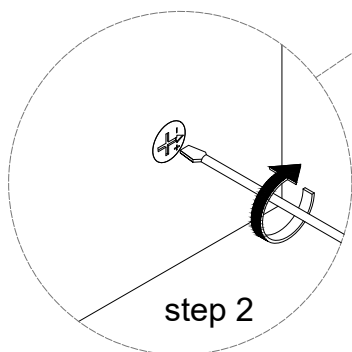
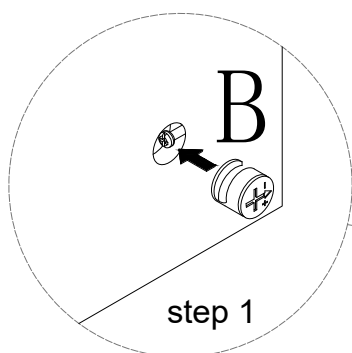
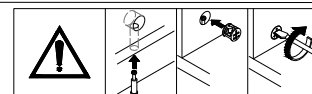
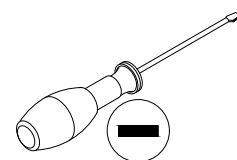


# Setp 7

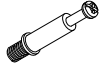


B \* 6

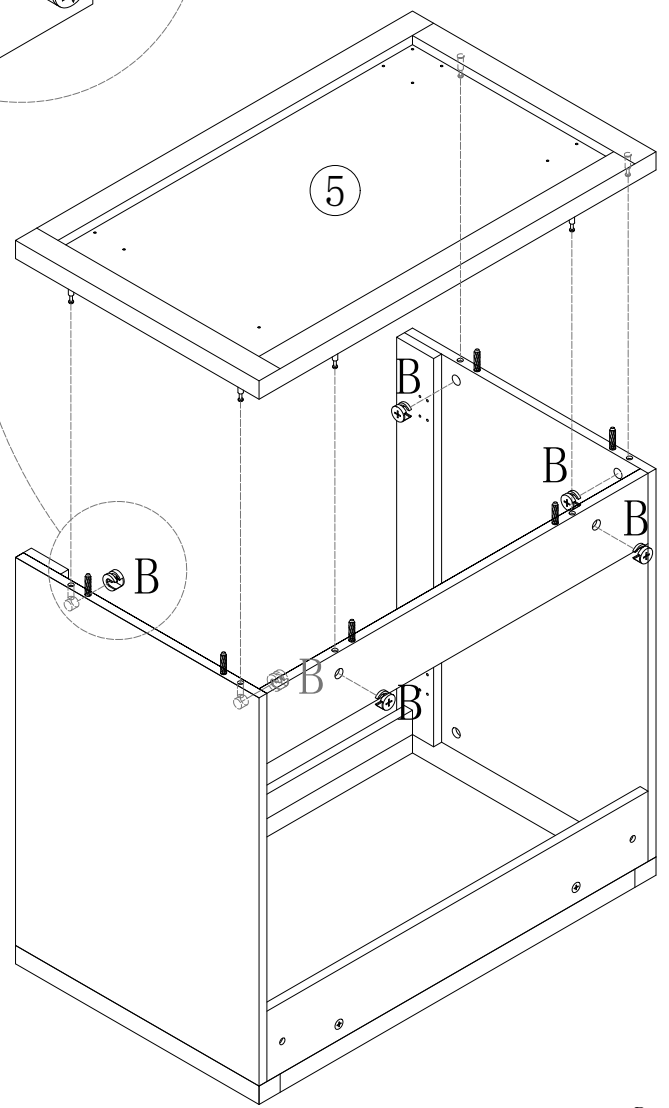
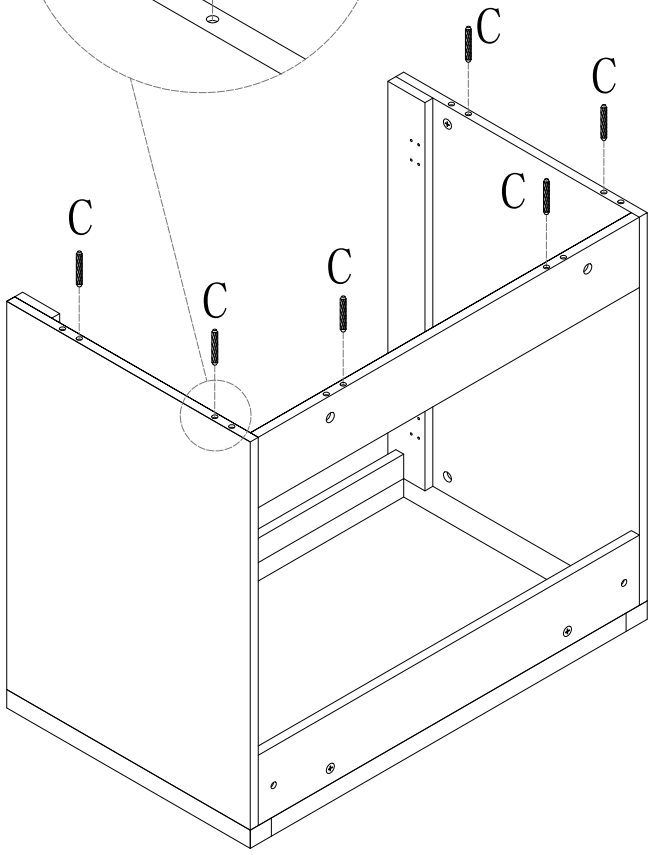
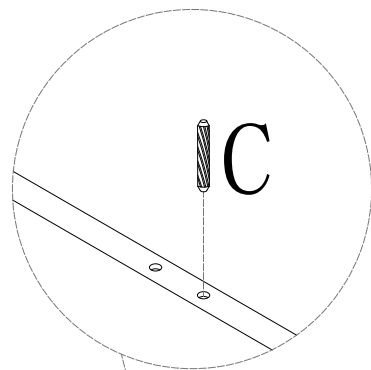
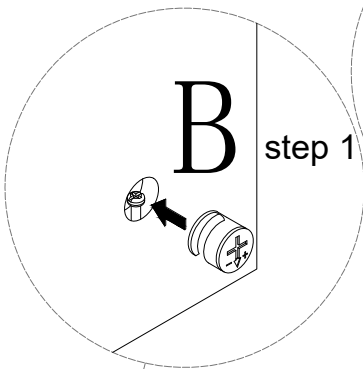
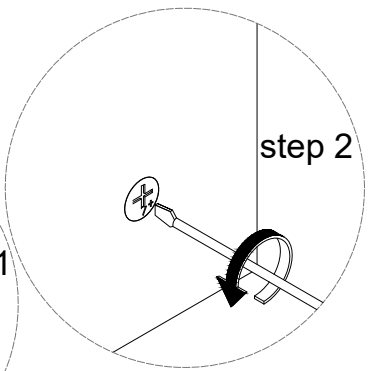
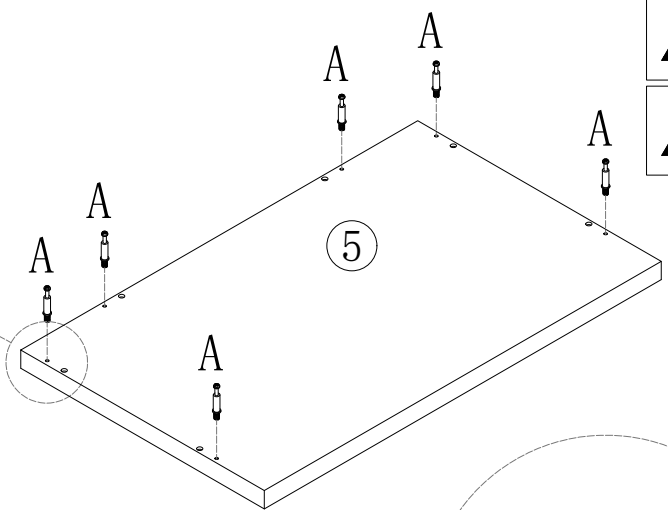
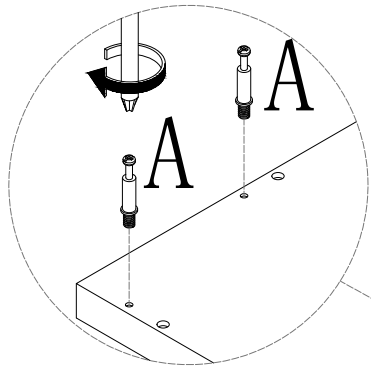
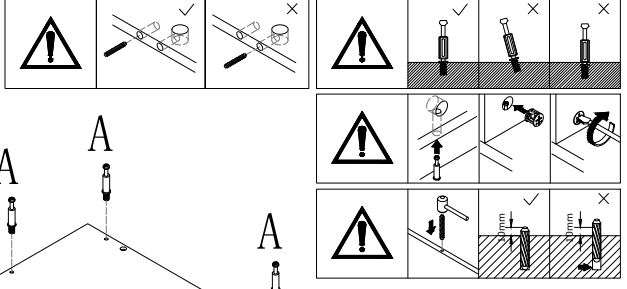
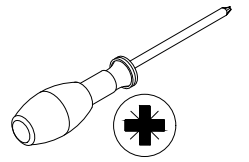


Ø15 x 12mm



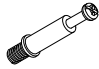
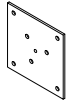

# Setp 8

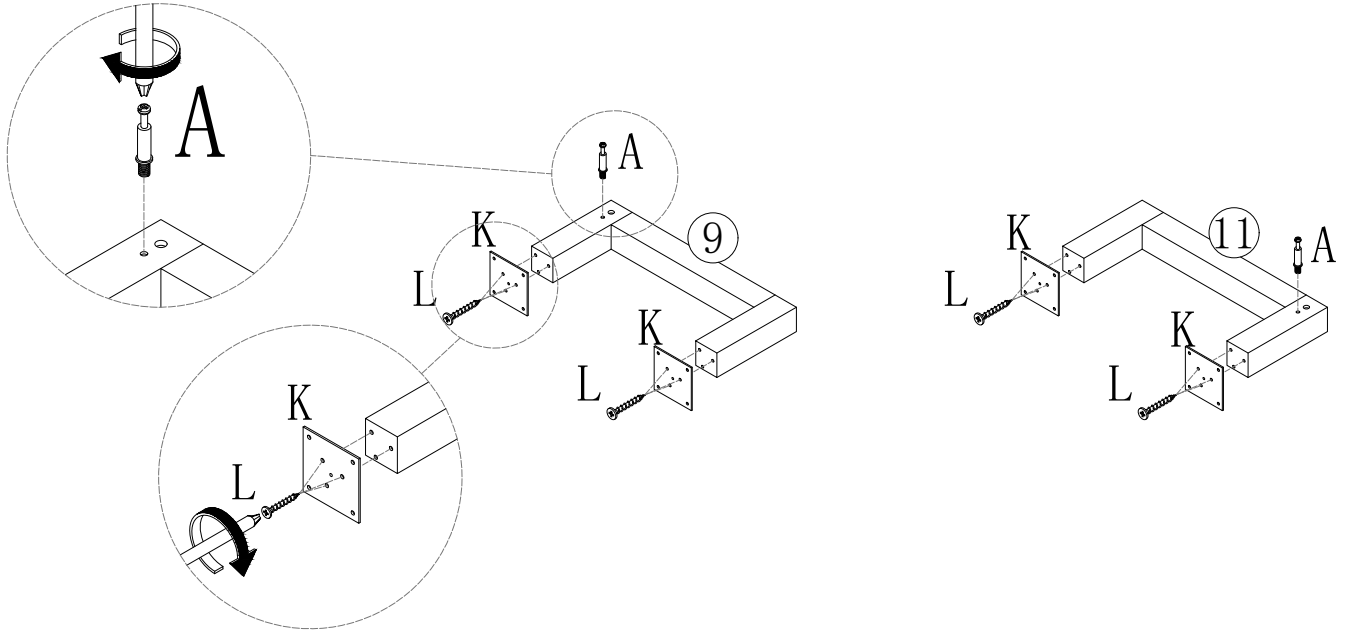
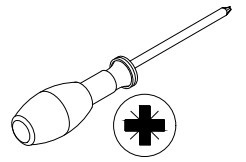
A * 6  M6 X 35mm	C * 6  Ø8 x 30mm	B * 6  Ø15 x 12mm
---------------------------------------------------------------------------------------------------------	---------------------------------------------------------------------------------------------------------	----------------------------------------------------------------------------------------------------------





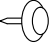


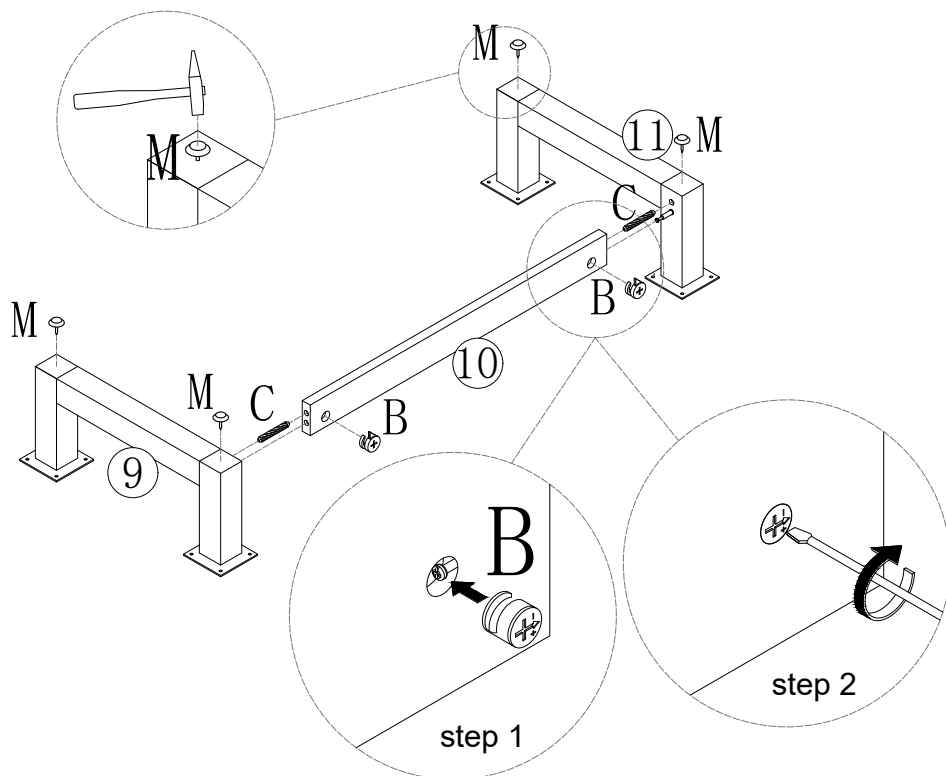
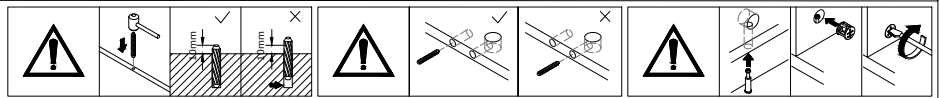
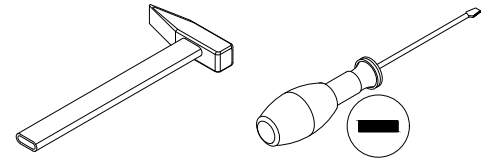
# Setp 9

A * 2	K * 4	L * 12
 M6 X 35mm		 M4 x 35mm



# Setp 10

B * 2	C * 2	M * 4
 Ø15 x 12mm	 Ø8 x 30mm	 Ø5 x 15mm

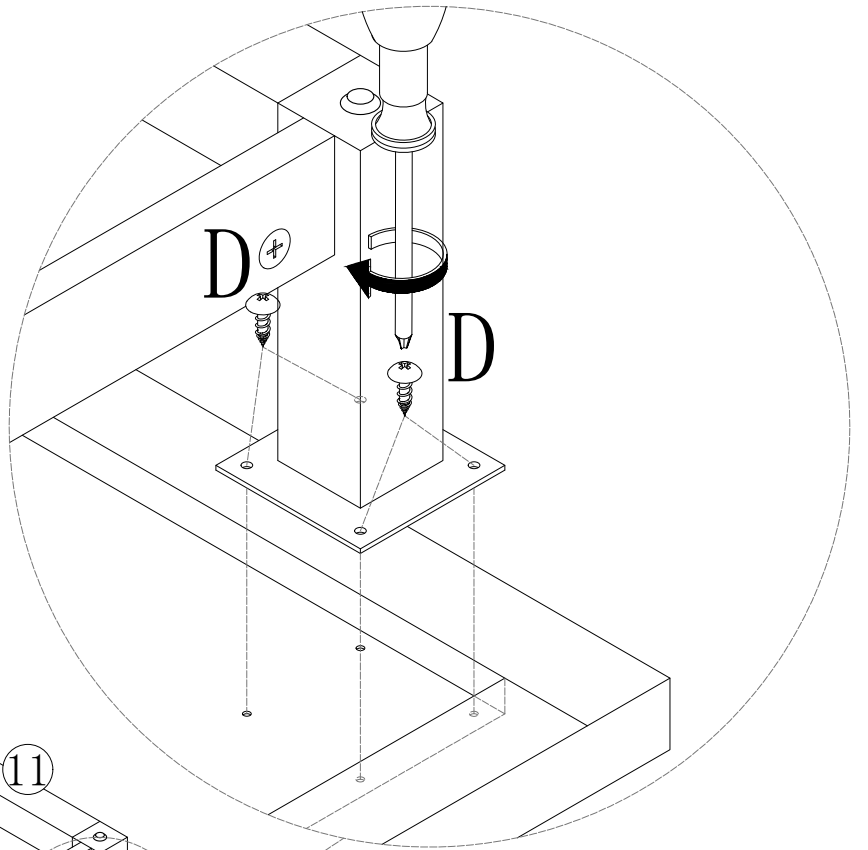
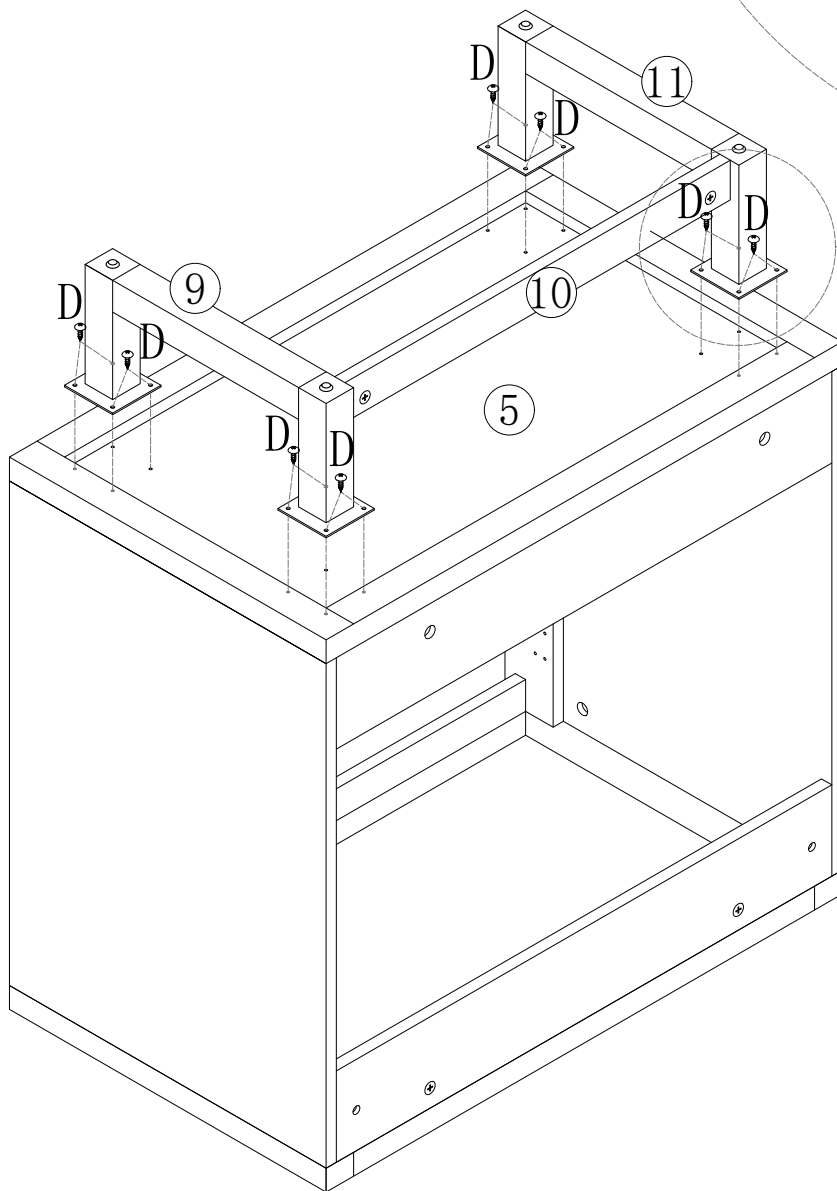
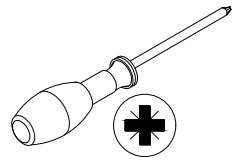


# Setp 11

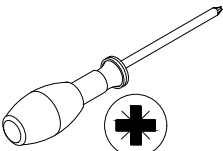

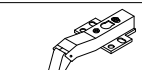
D \* 16

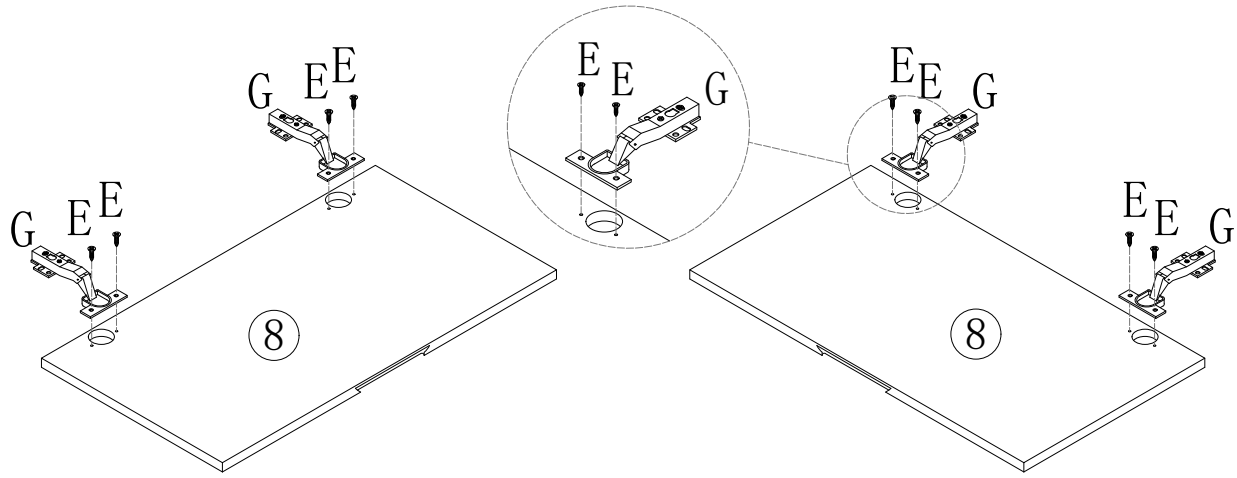


M4 x 14mm



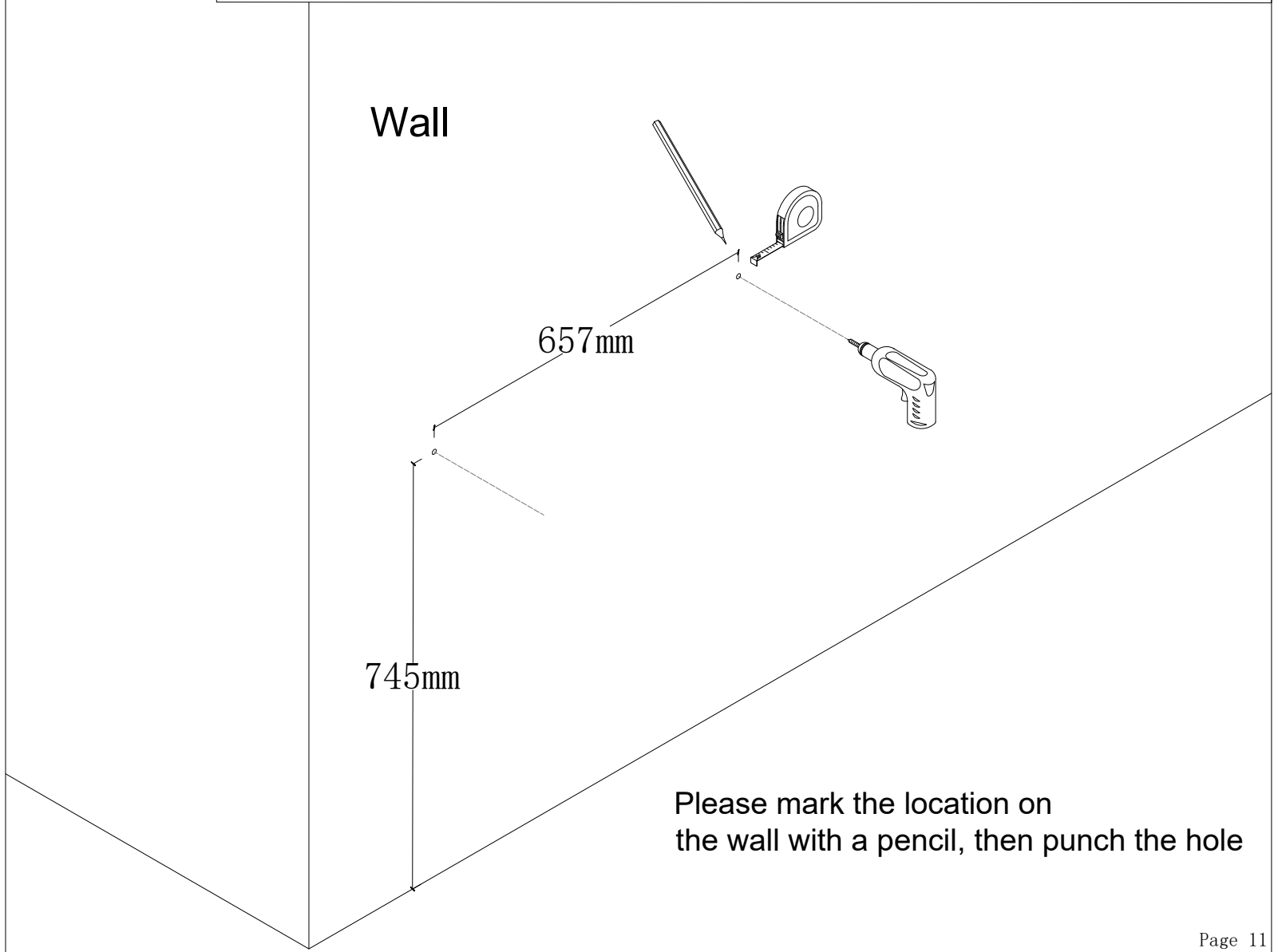
# Setp 12

E * 8	G * 4	
 M4 x 14mm	 Ø35	




# Setp 13

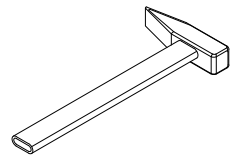
		



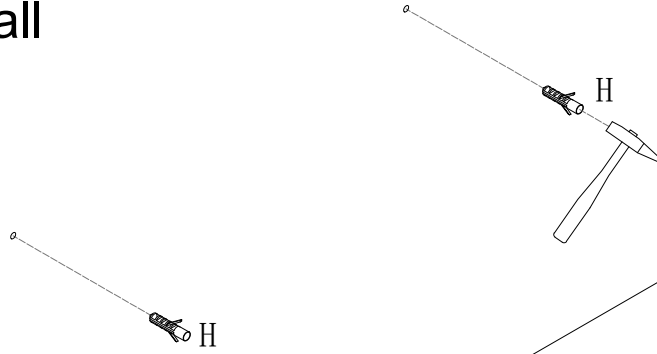
Please mark the location on the wall with a pencil, then punch the hole

# Setp 14



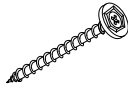
H * 2

Ø8 x 40mm

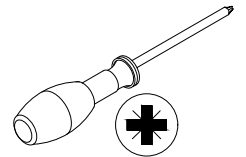


Wall

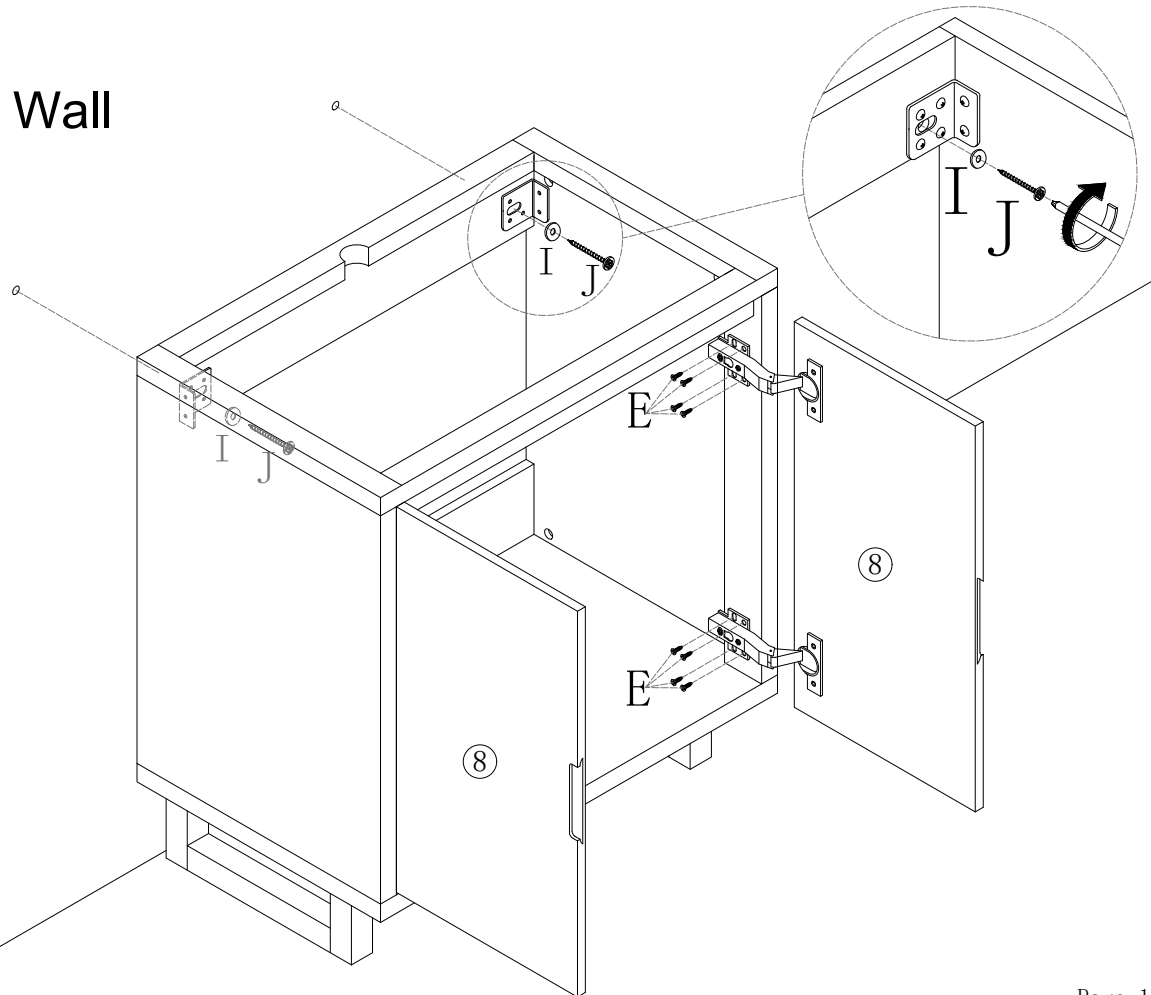


# Setp 15

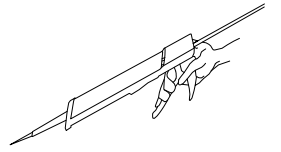
E * 16	I * 2	J * 2
		
M4 x 14mm	Ø20	M6 x 60mm



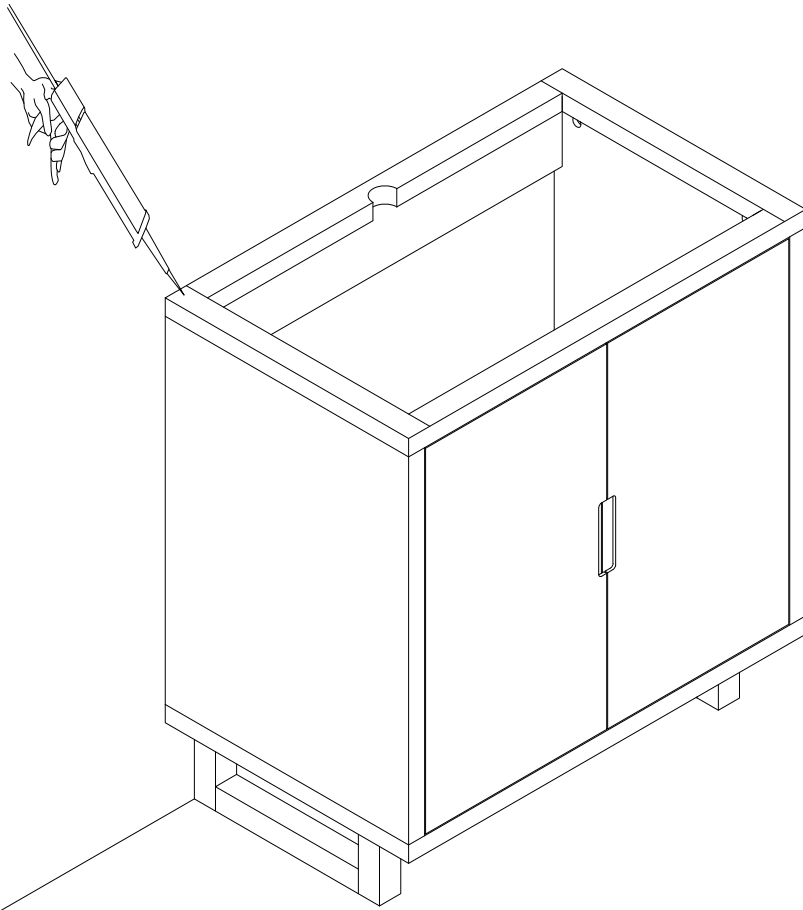
Wall



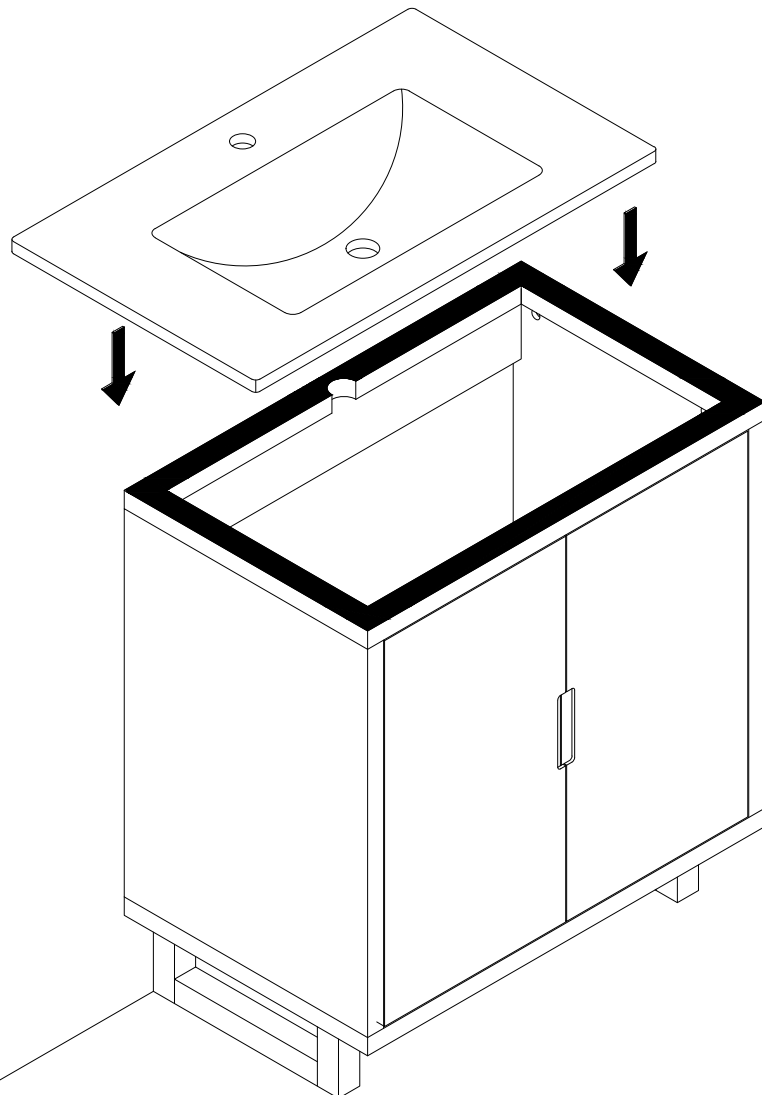
Setp 16

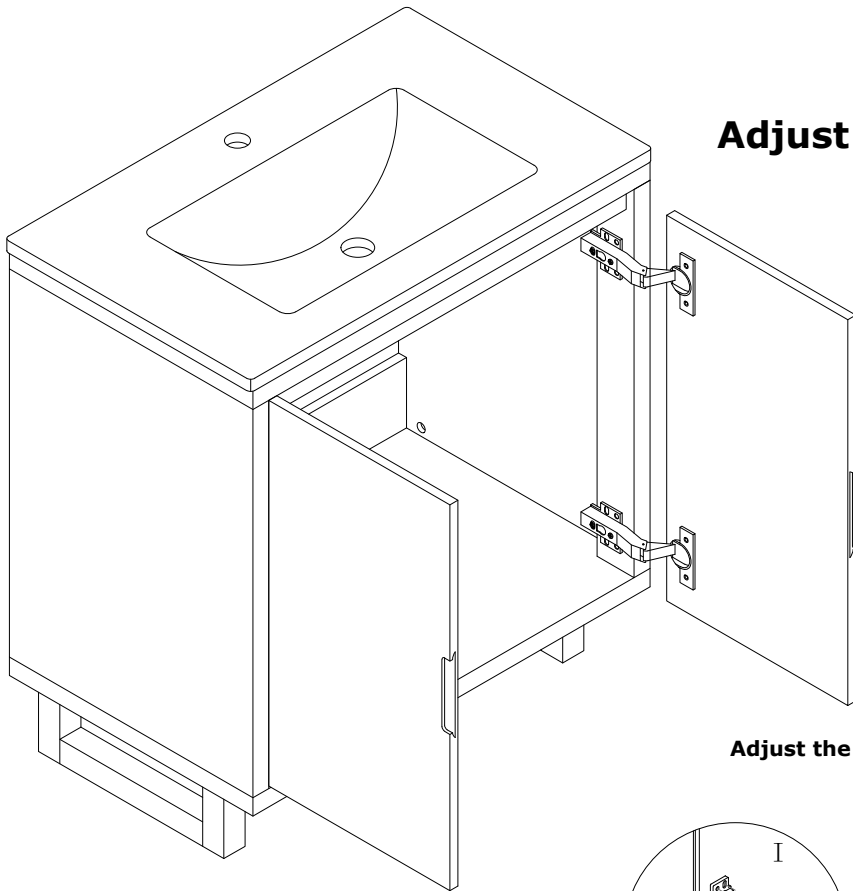
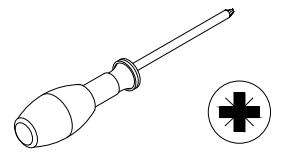


Wall



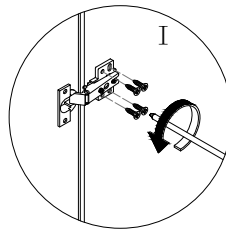
Wall



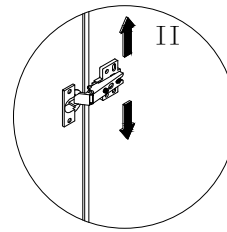


**Adjust door following the direction.**

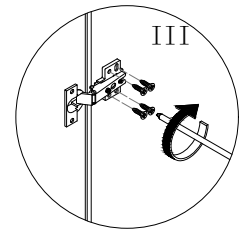
**Adjust the door up and down to match the cabinet.**



I:loosen the screw.



II:Adjust the upper and lower position.

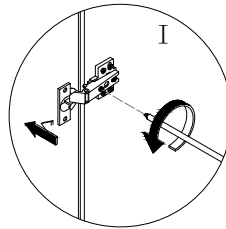


II:tighten the screw.

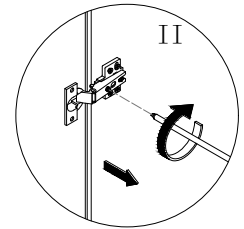


**When the door position is not standard,please adjust the door according to the right picture.**

**Adjust the door left and right to match the cabinet for suitable crack of the door**



I:loosen the screw to keep hinge apply force toward the direction of arrow.

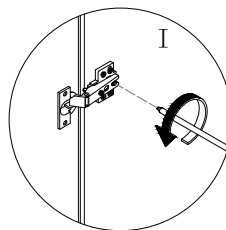


II:tighten the screw to keep hinge apply force toward the direction of arrow.

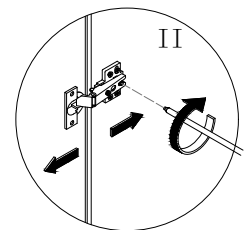


**Please place the cabinet on the flat floor before adjustment.**

**Adjust the door backwards and forwards to match the cabinet.**



I:loosen the screw.



II:Adjust the distance between front and back.

Setp 18

