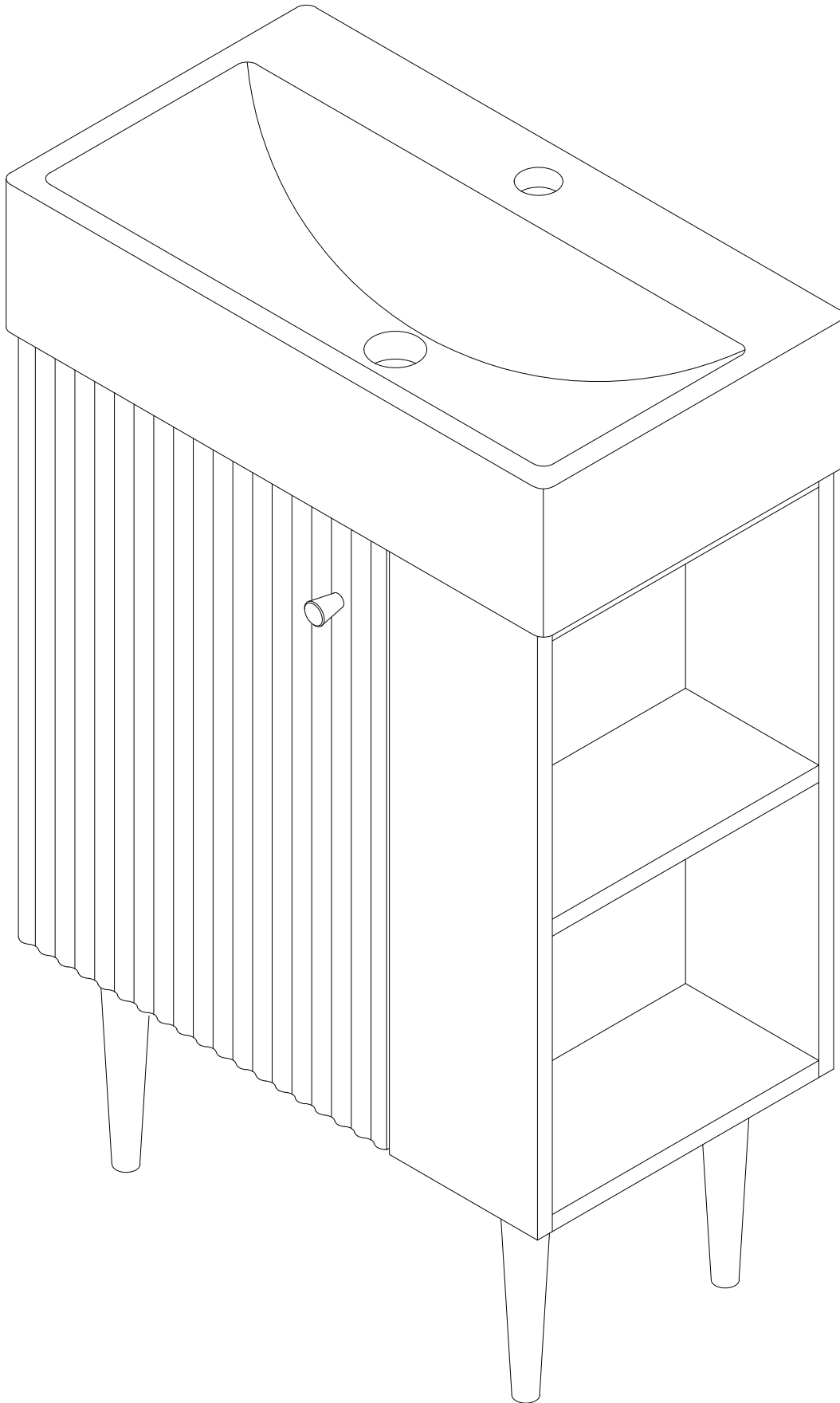
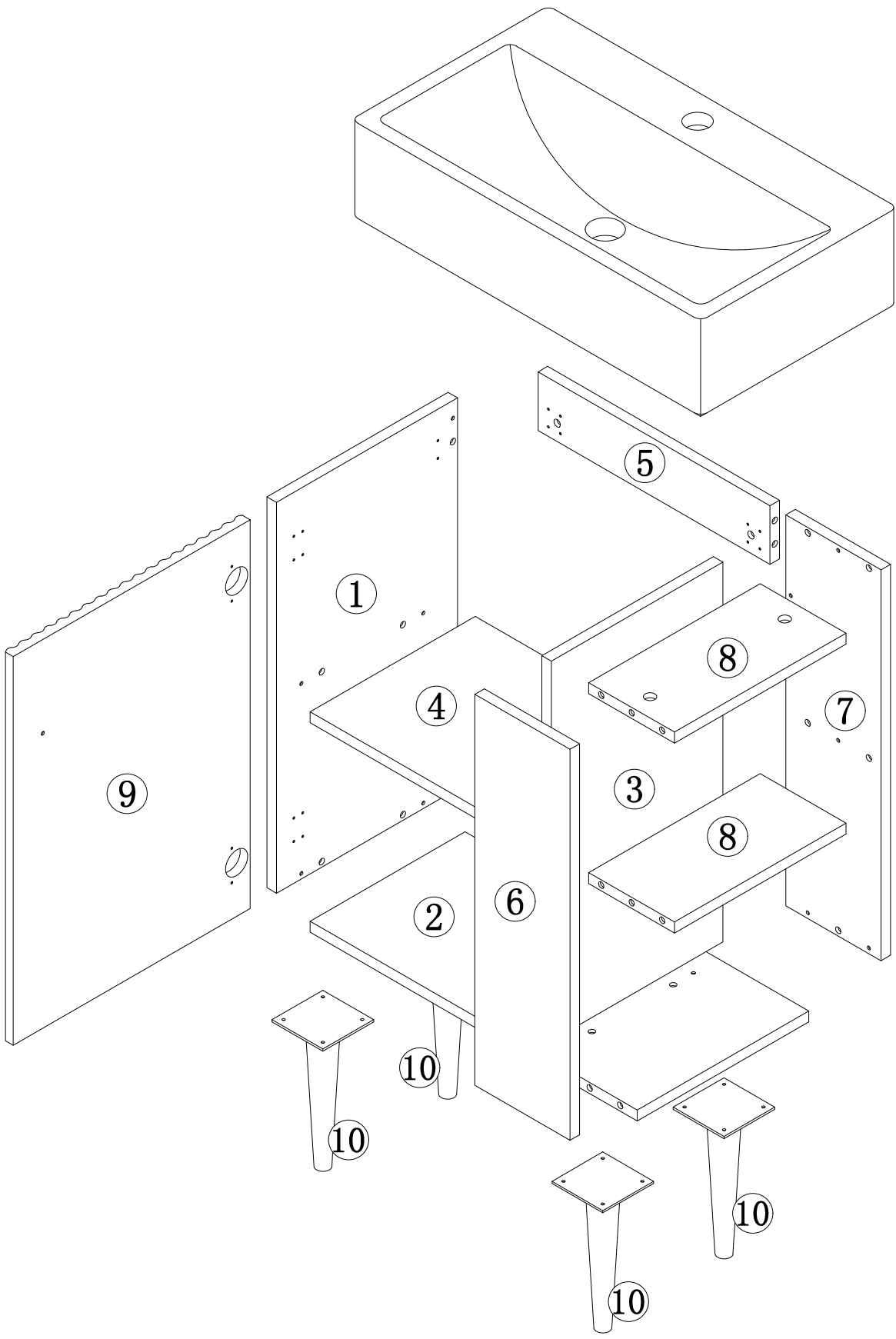
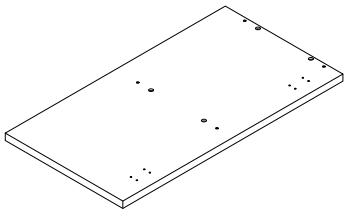
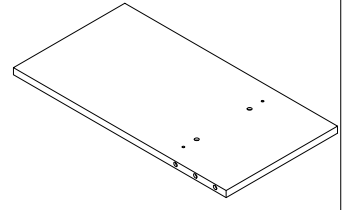
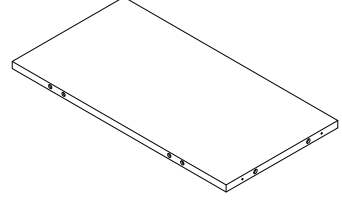
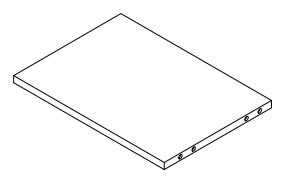
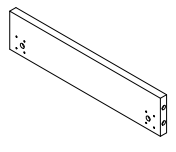
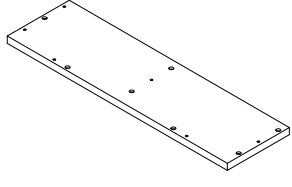
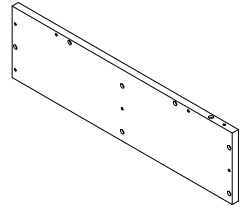
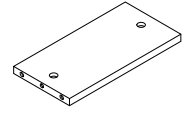
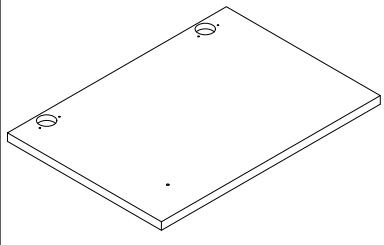
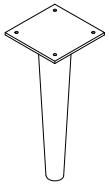


ASSEMBLY INSTRUCTION

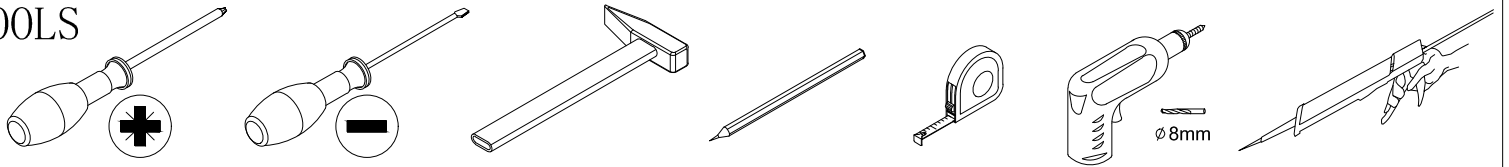
WF297781AAA

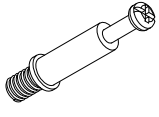
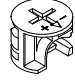
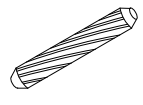


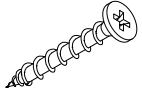


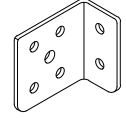
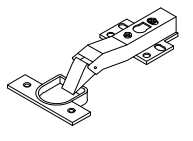

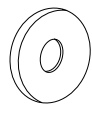
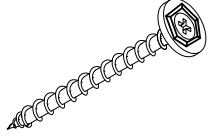




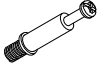

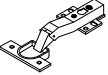
			
① x1	② x1	③ x1	④ x1
			
⑤ x1	⑥ x1	⑦ x1	⑧ x2
			
⑨ x1	⑩ x4		

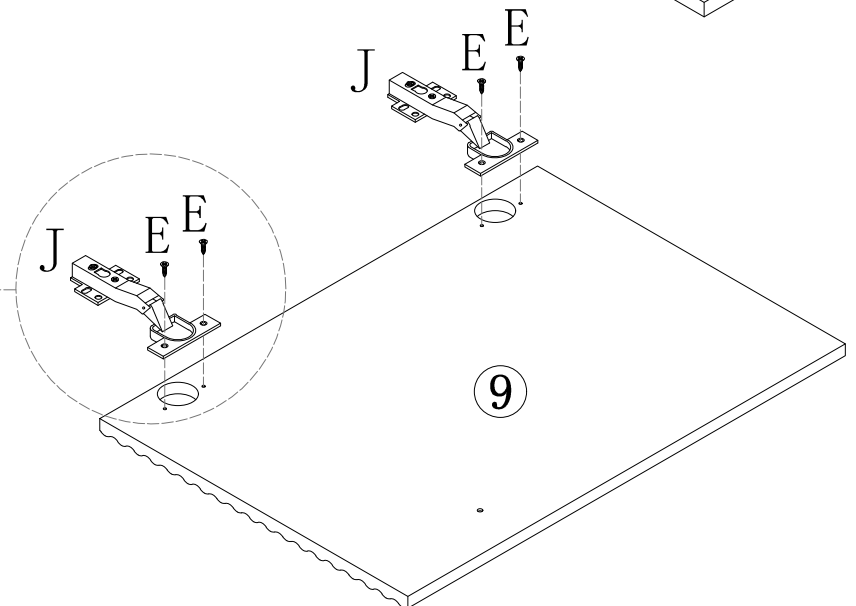
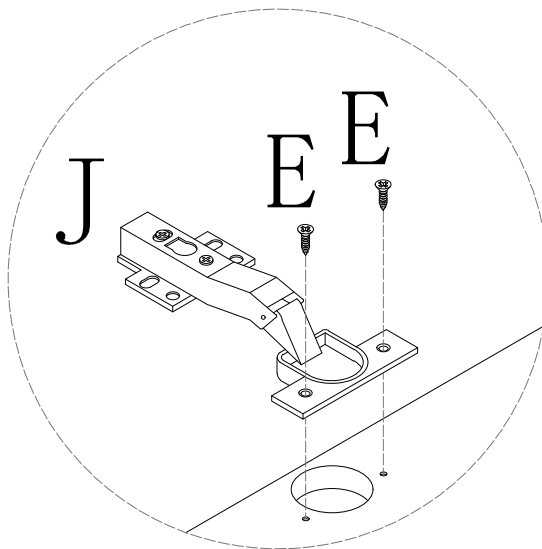
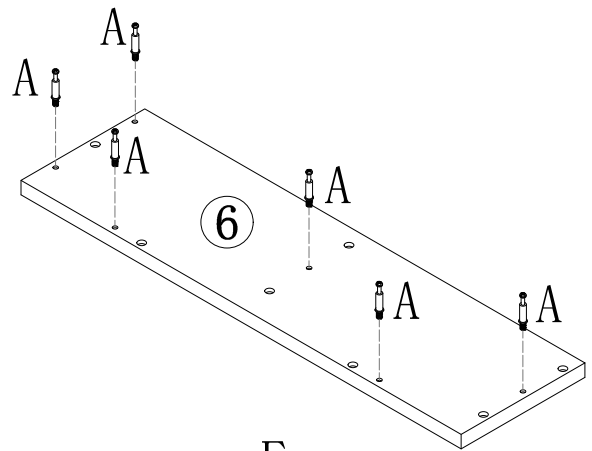
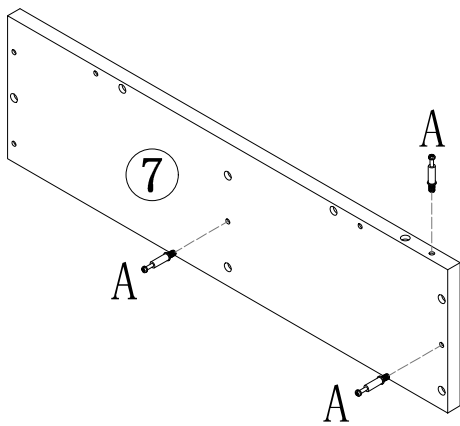
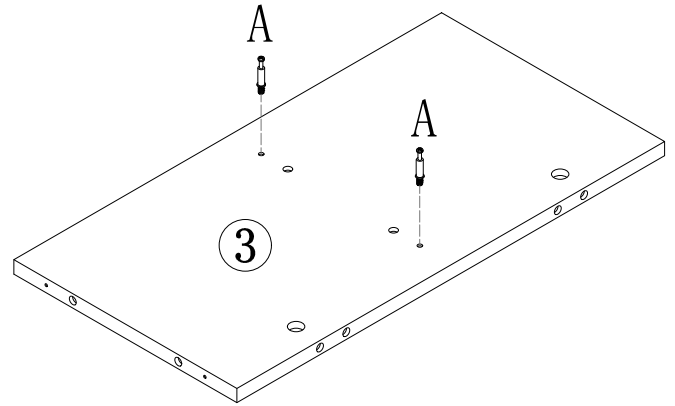
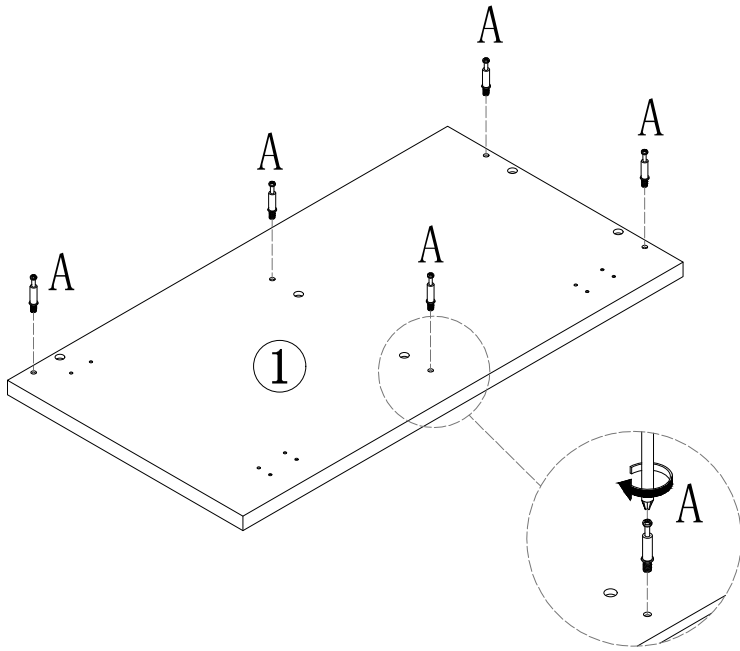
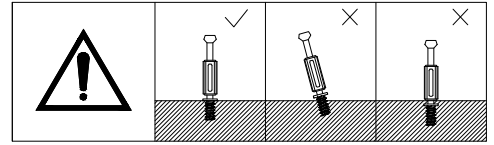
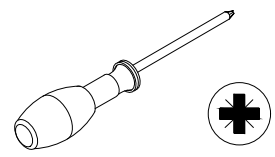
TOOLS





A * 16	B * 16	C * 24	D * 12	E * 28
				
M6 X 35mm	Ø15 x 12mm	Ø8 x 30mm	M4 x 14mm	M4 x 14mm
F * 6	G * 1	H * 1	I * 2	J * 2
				
M5 x 40mm	M4 x 20mm			Ø35
K * 2	L * 2	M * 2		
				
Ø8 x 40mm	Ø20	M6 x 60mm		

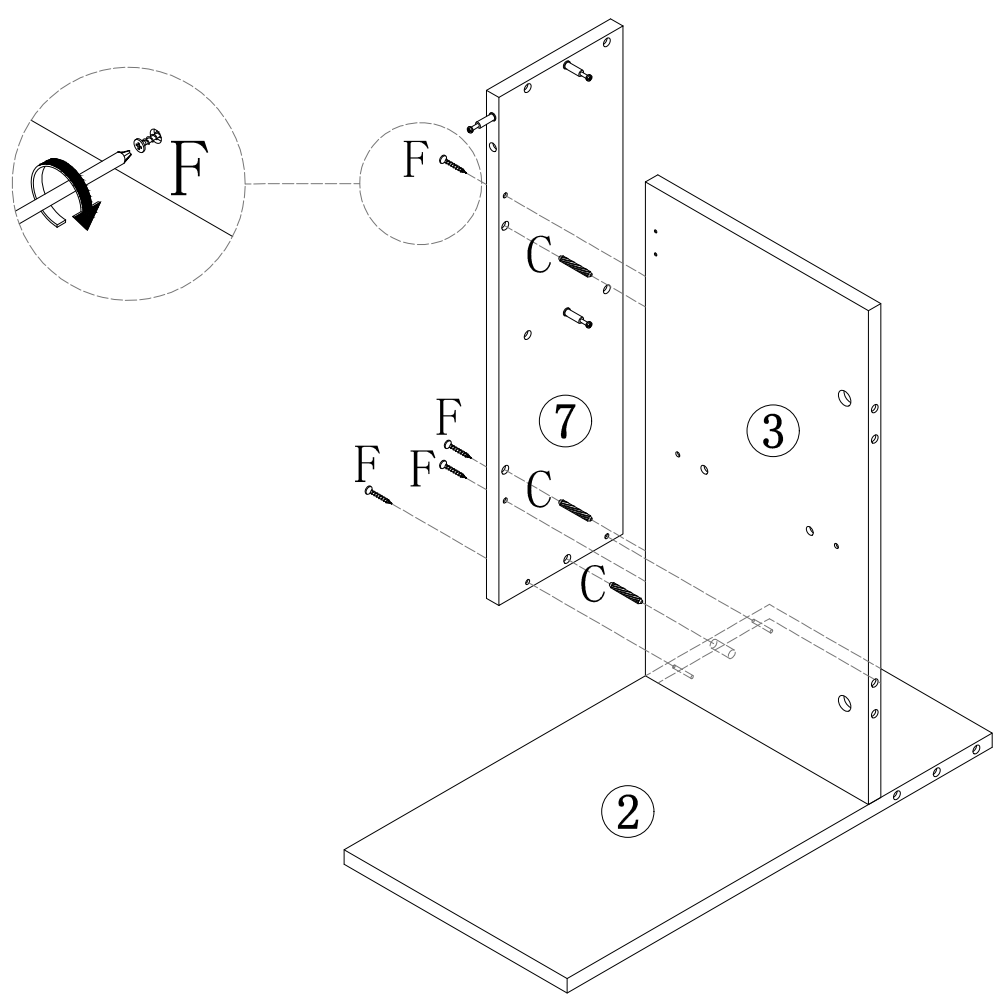
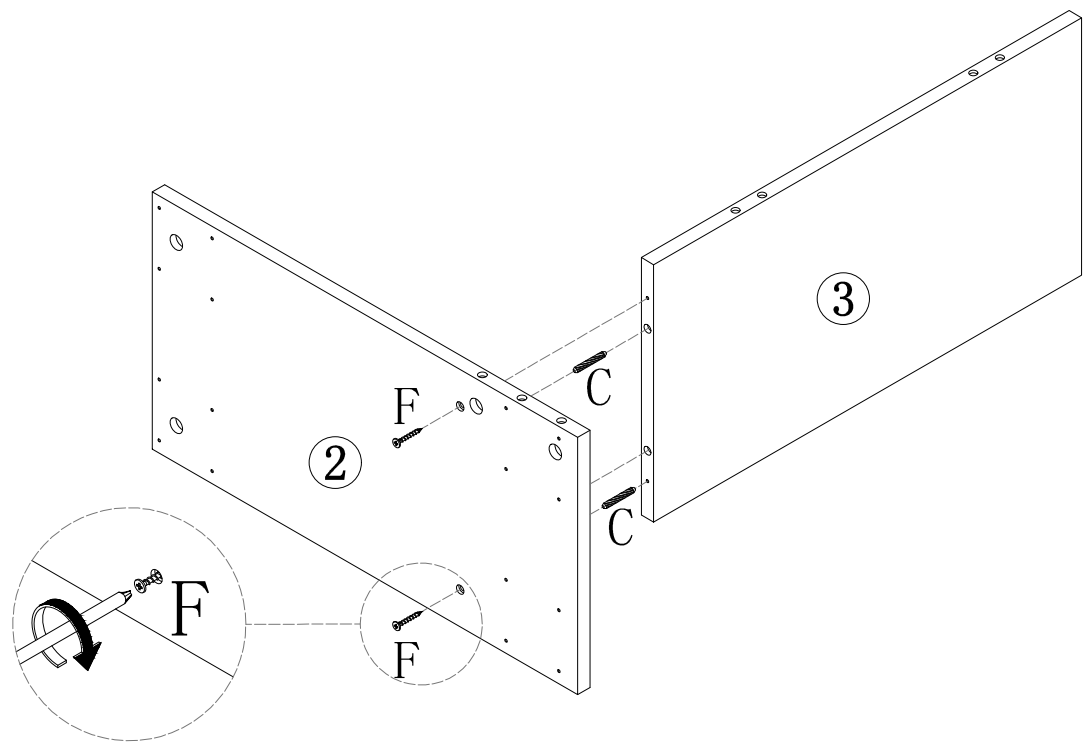
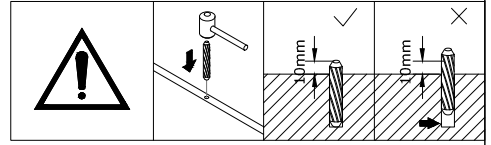
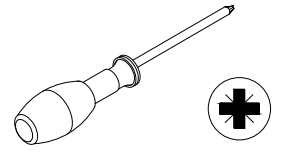
Step 1

A * 16	E * 4	J * 2
		
M6 X 35mm	M4 x 14mm	Ø35





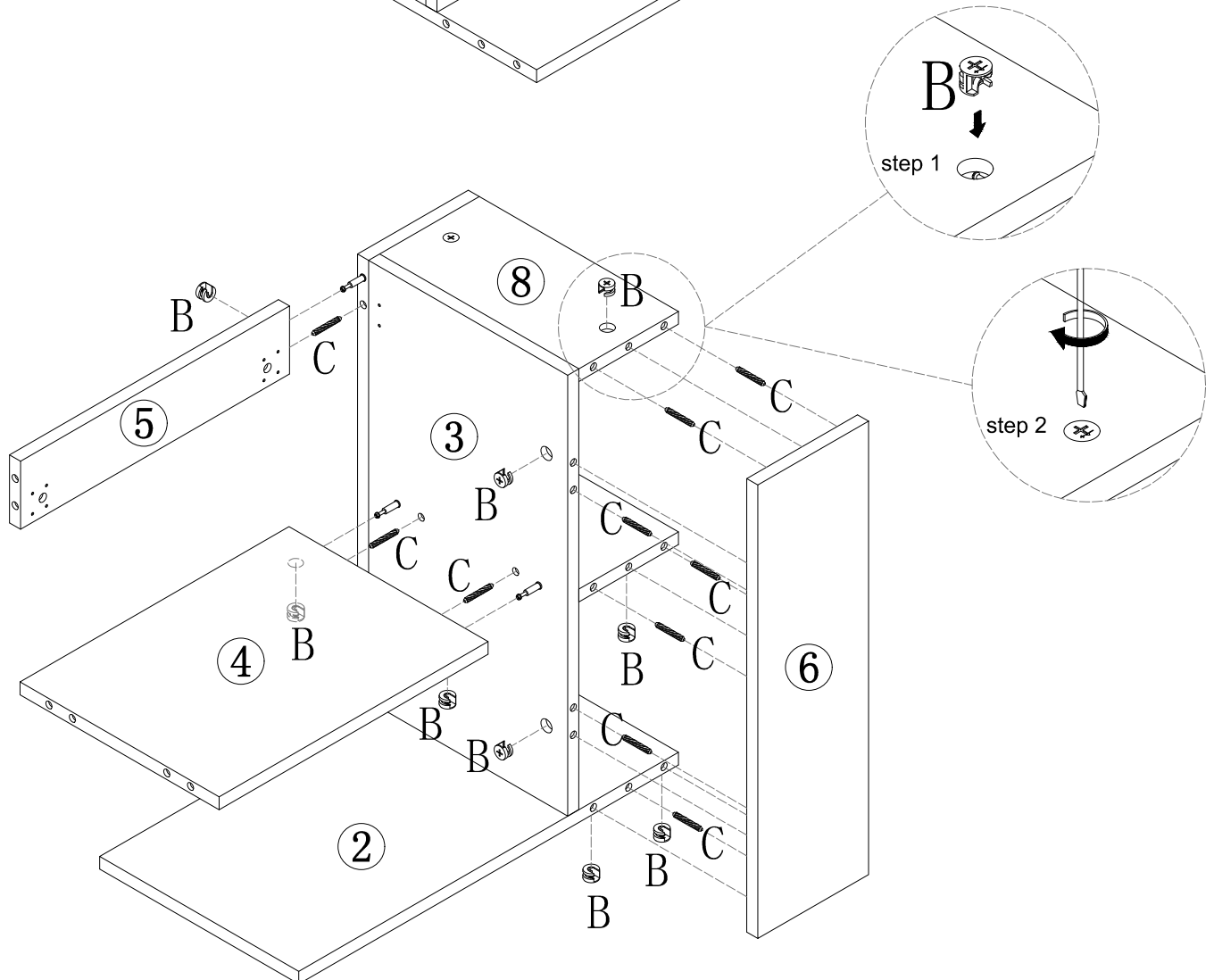
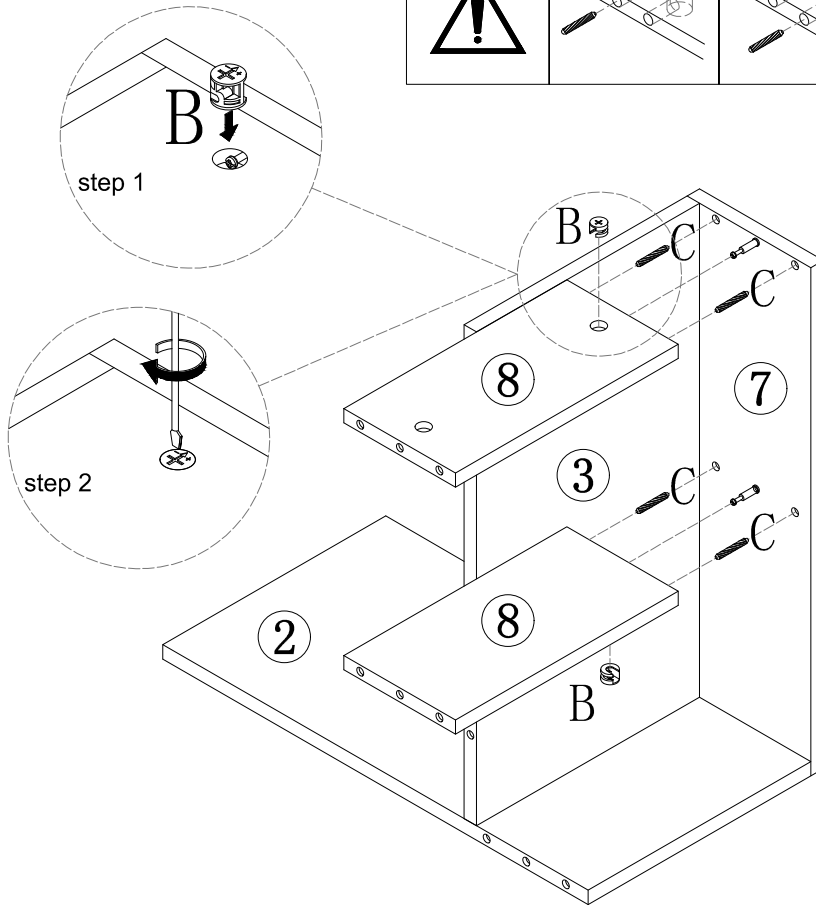
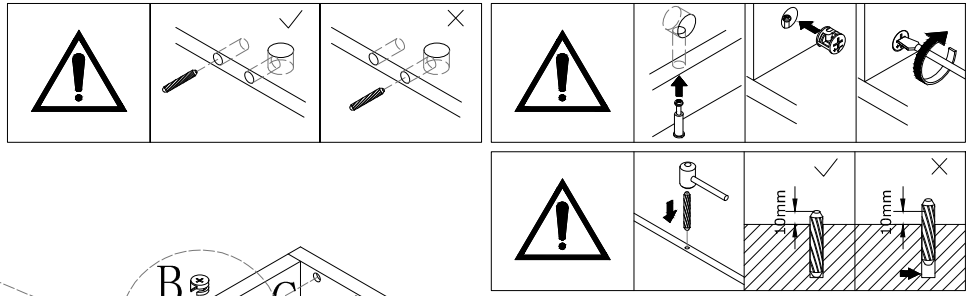
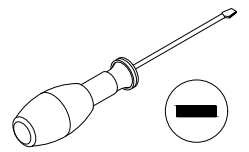
Step 2

C * 5	F * 6
 Ø8 X 30mm	 M5 X 40mm





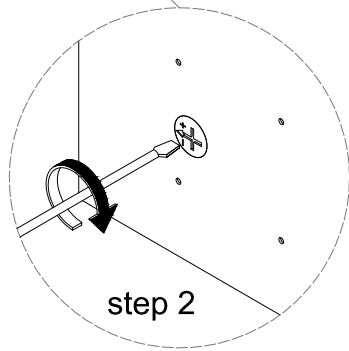
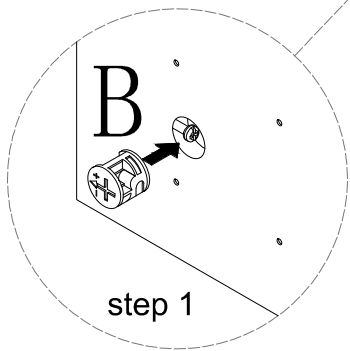
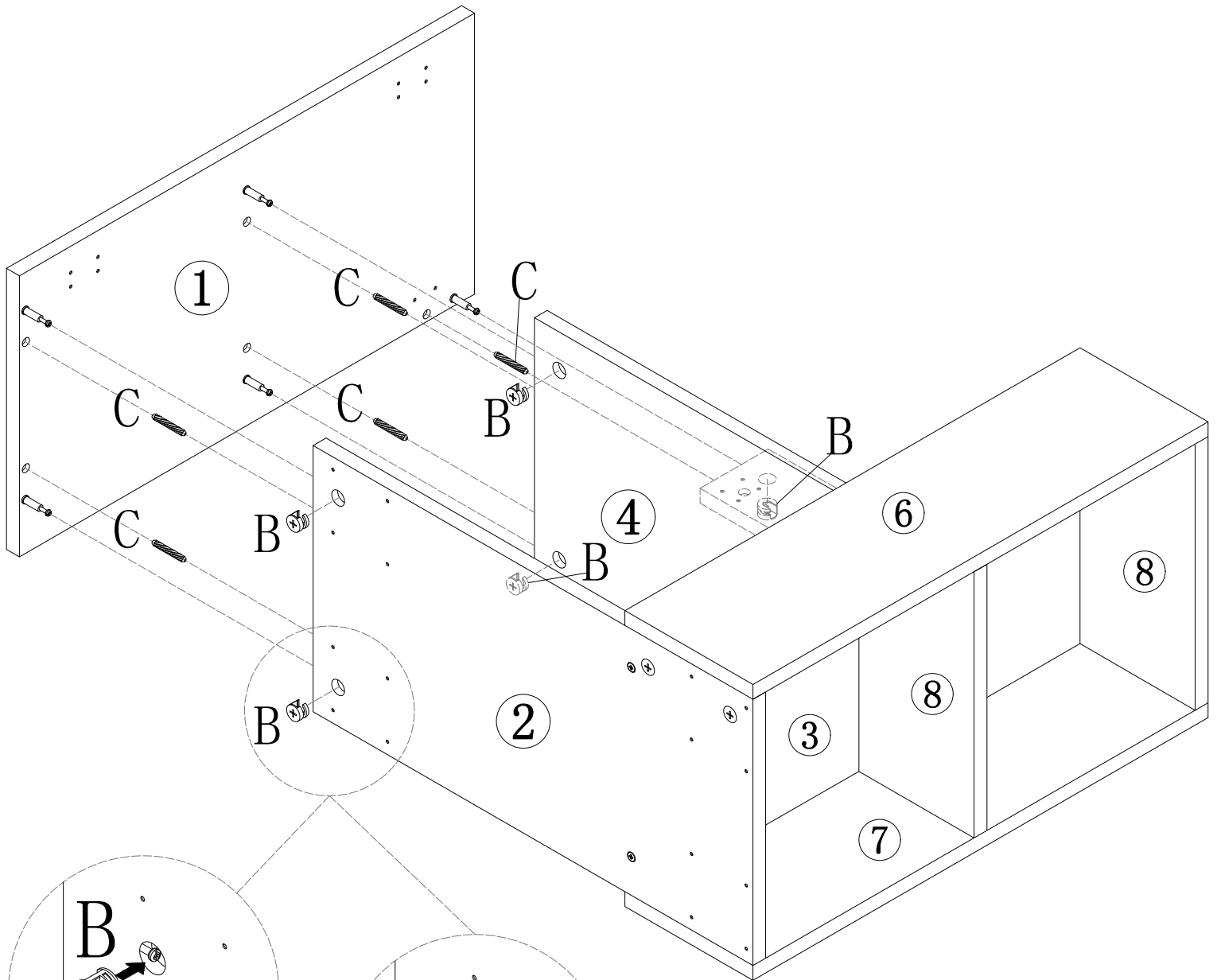
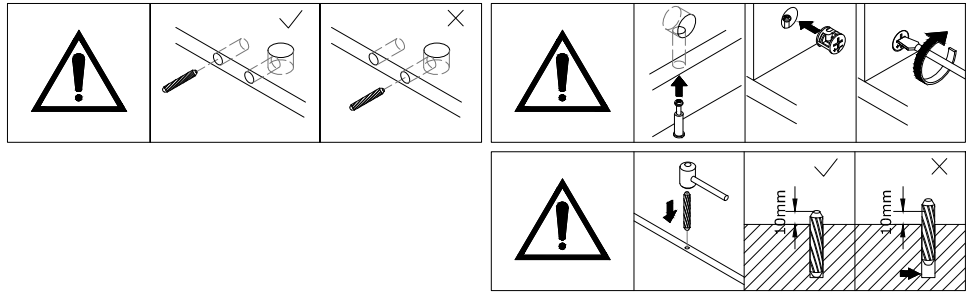
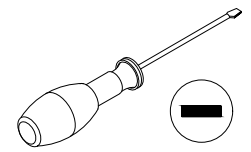
Step 3

B * 11	C * 14
	
Ø15 x 12mm	Ø8 x 30mm



Setp 4

B * 5	C * 5
 Ø15 x 12mm	 Ø8 x 30mm

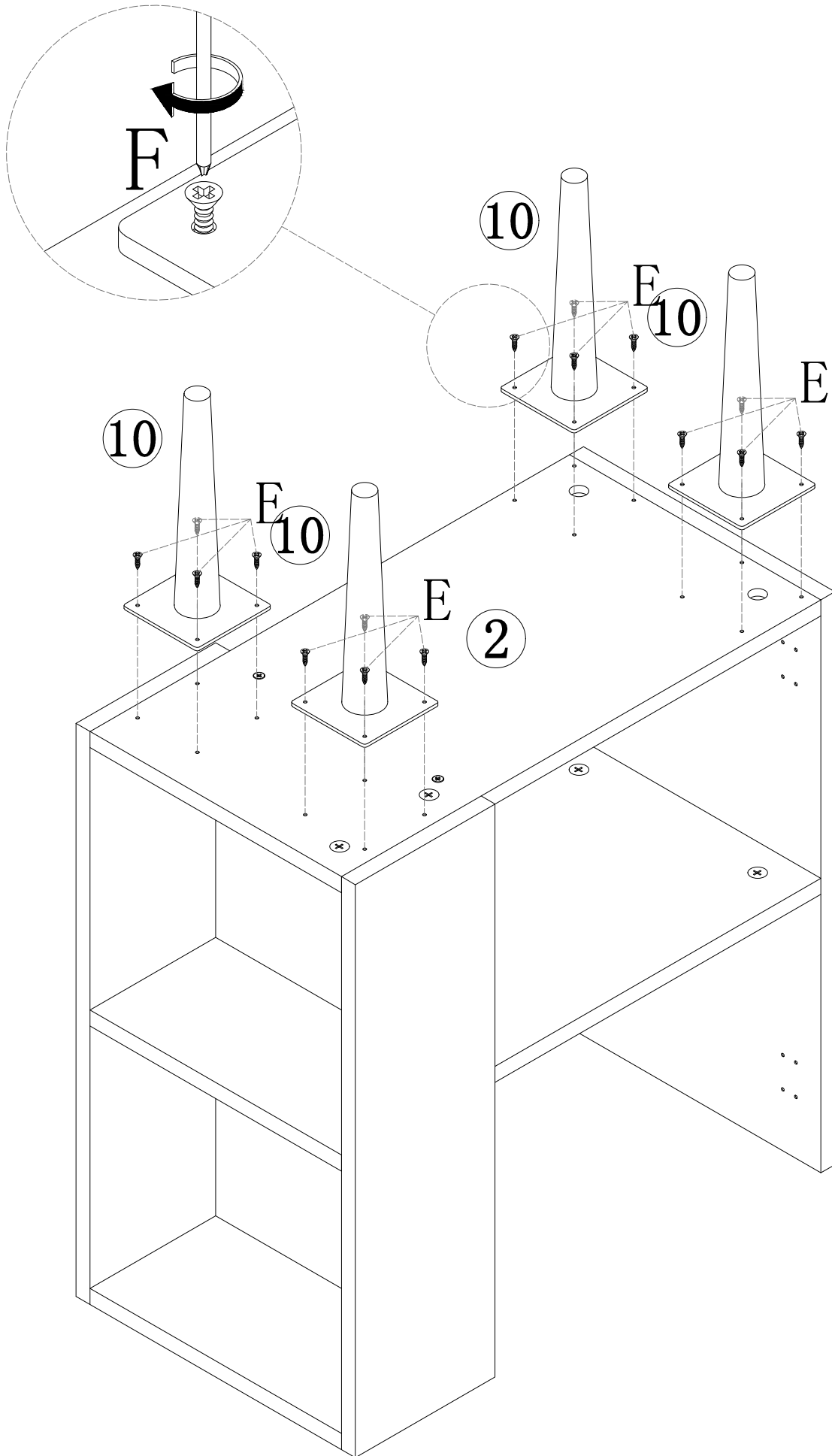
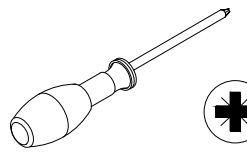


Step 5

E * 16



M4 x 14mm



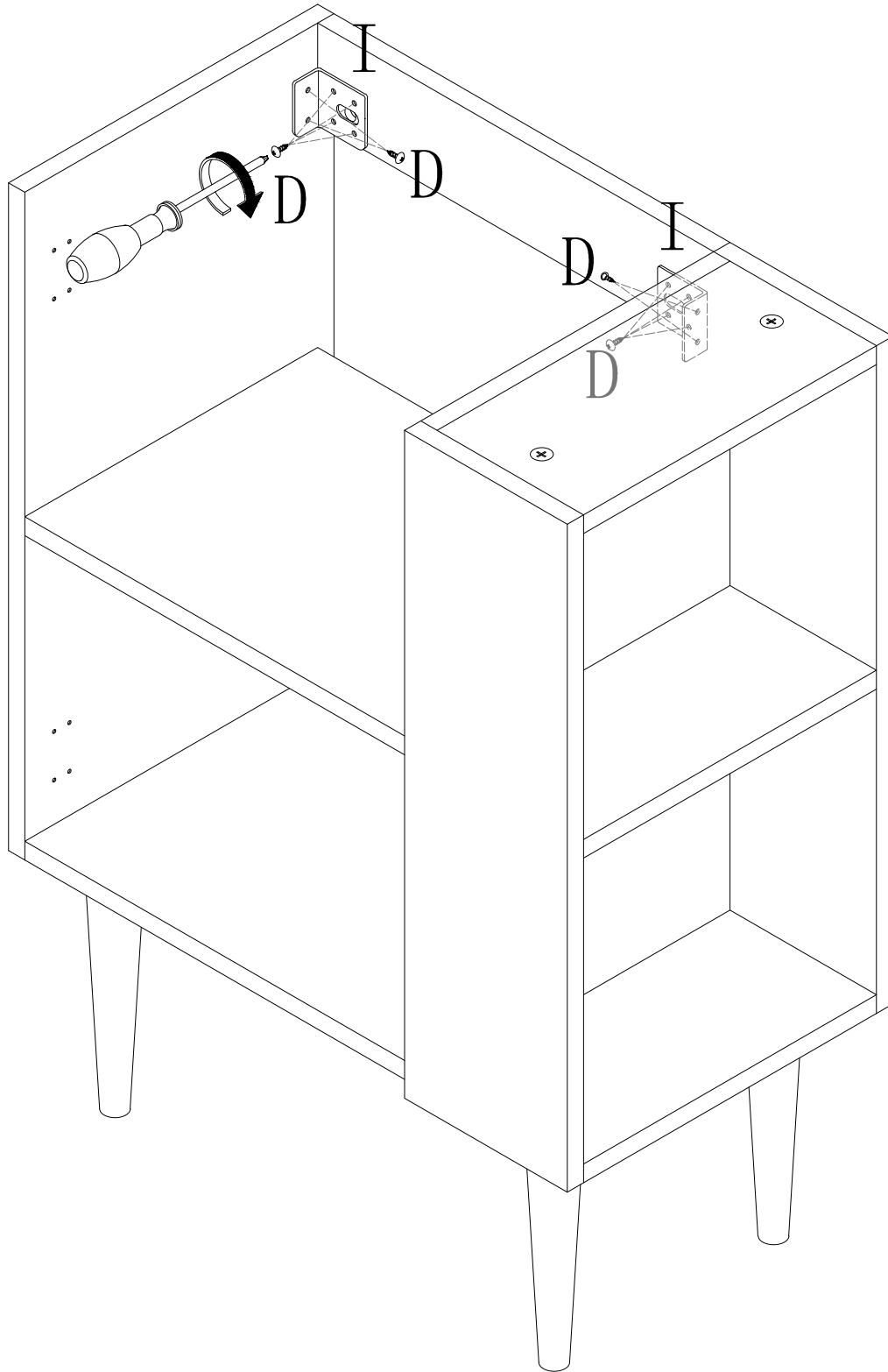
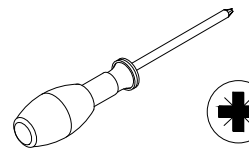
Step 6

D * 12

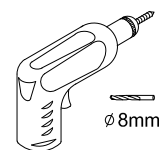
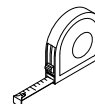
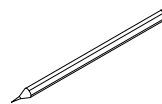
I * 2



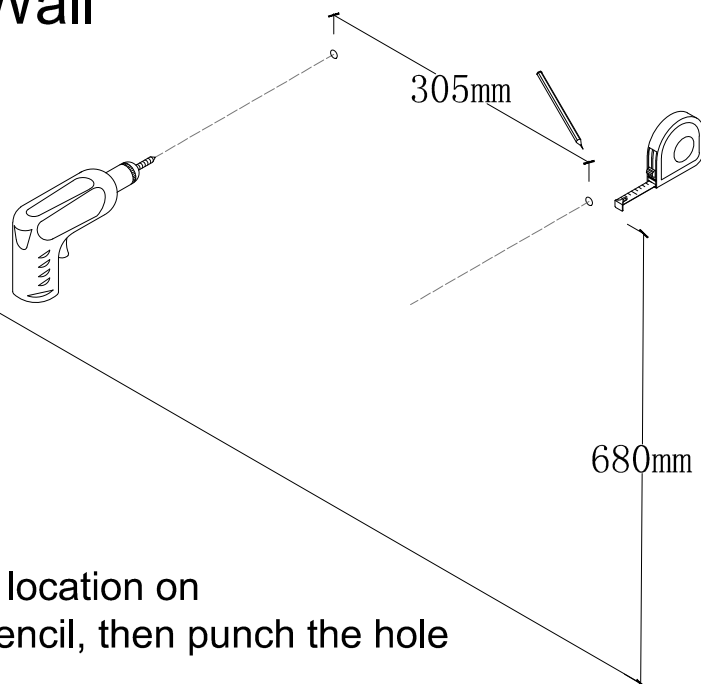
M4 x 14mm



Setp 7




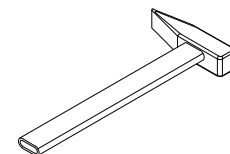
Wall



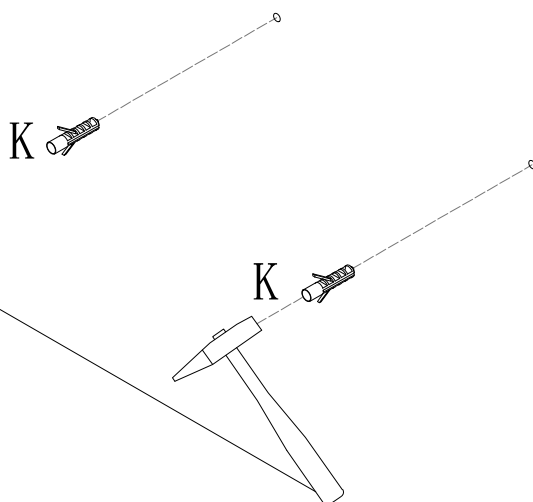
Please mark the location on the wall with a pencil, then punch the hole

Setp 8



K * 2

Ø8 x 40mm

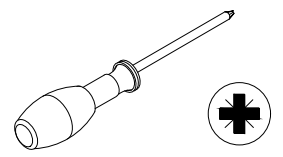


Wall

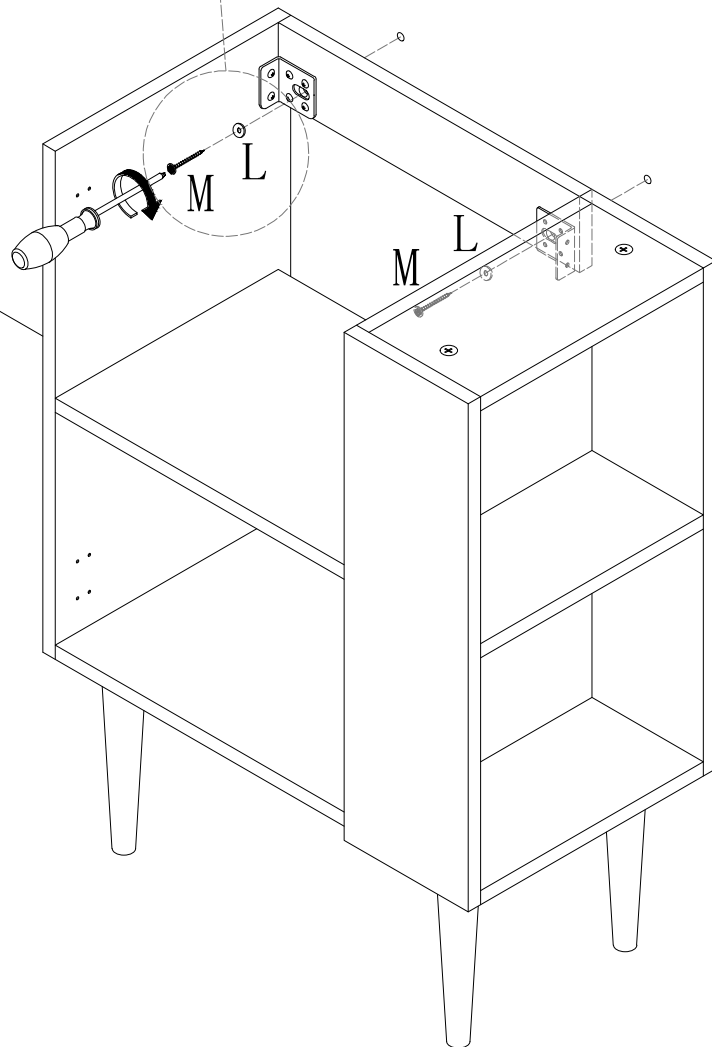
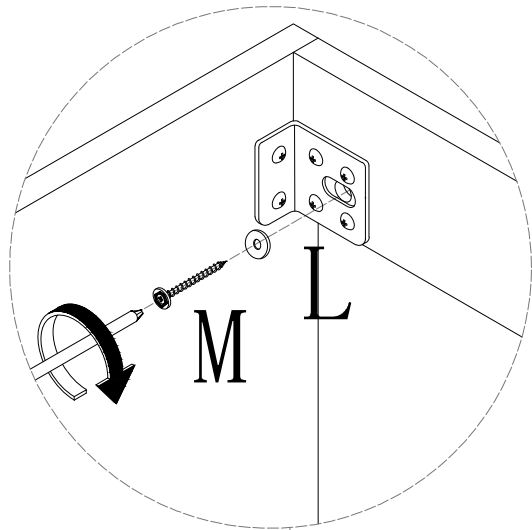


Setp 9

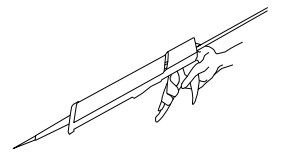
L * 2	M * 2
 Ø16	 M6 x 60mm



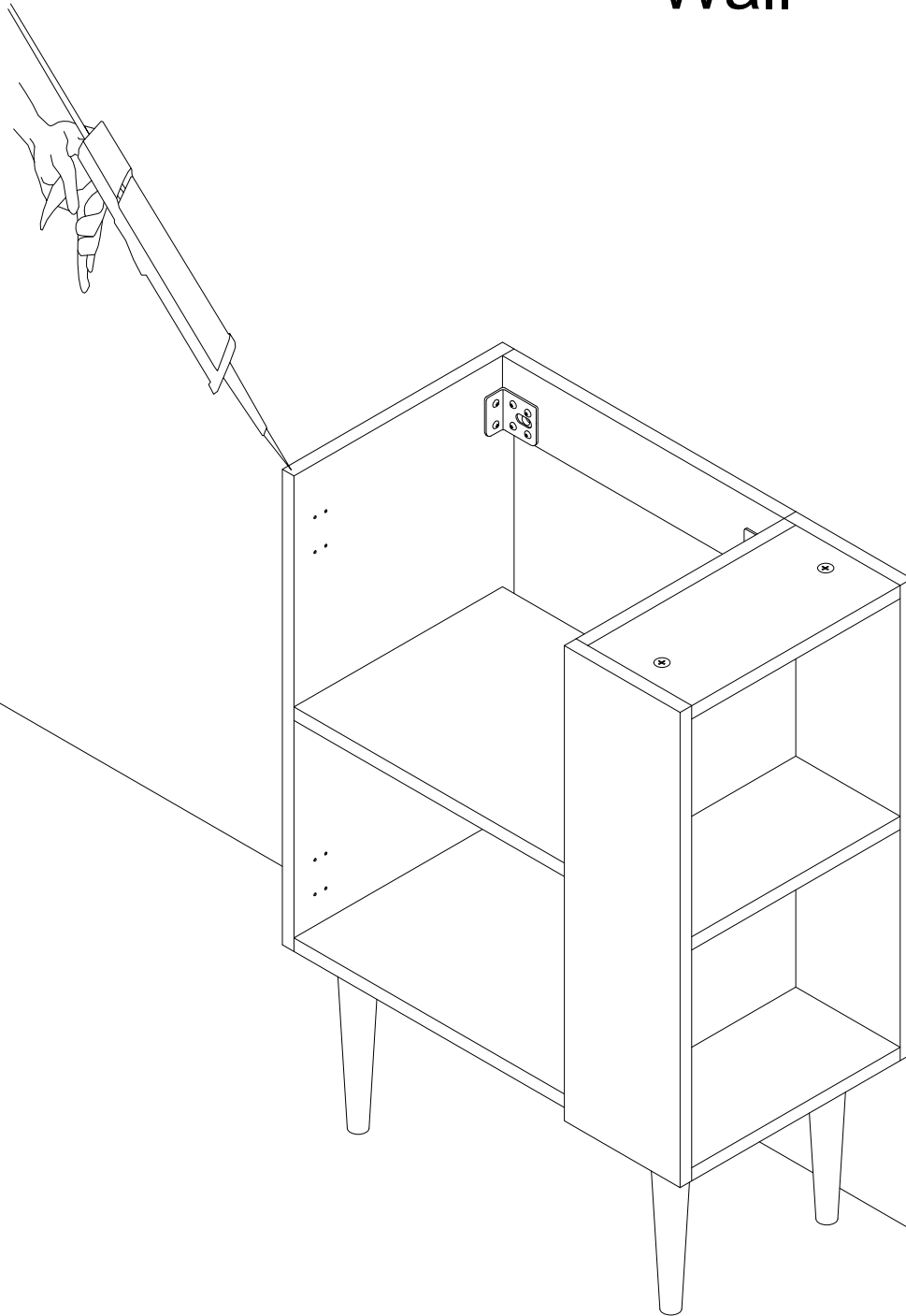
Wall






Setp 10

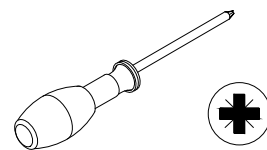


Wall

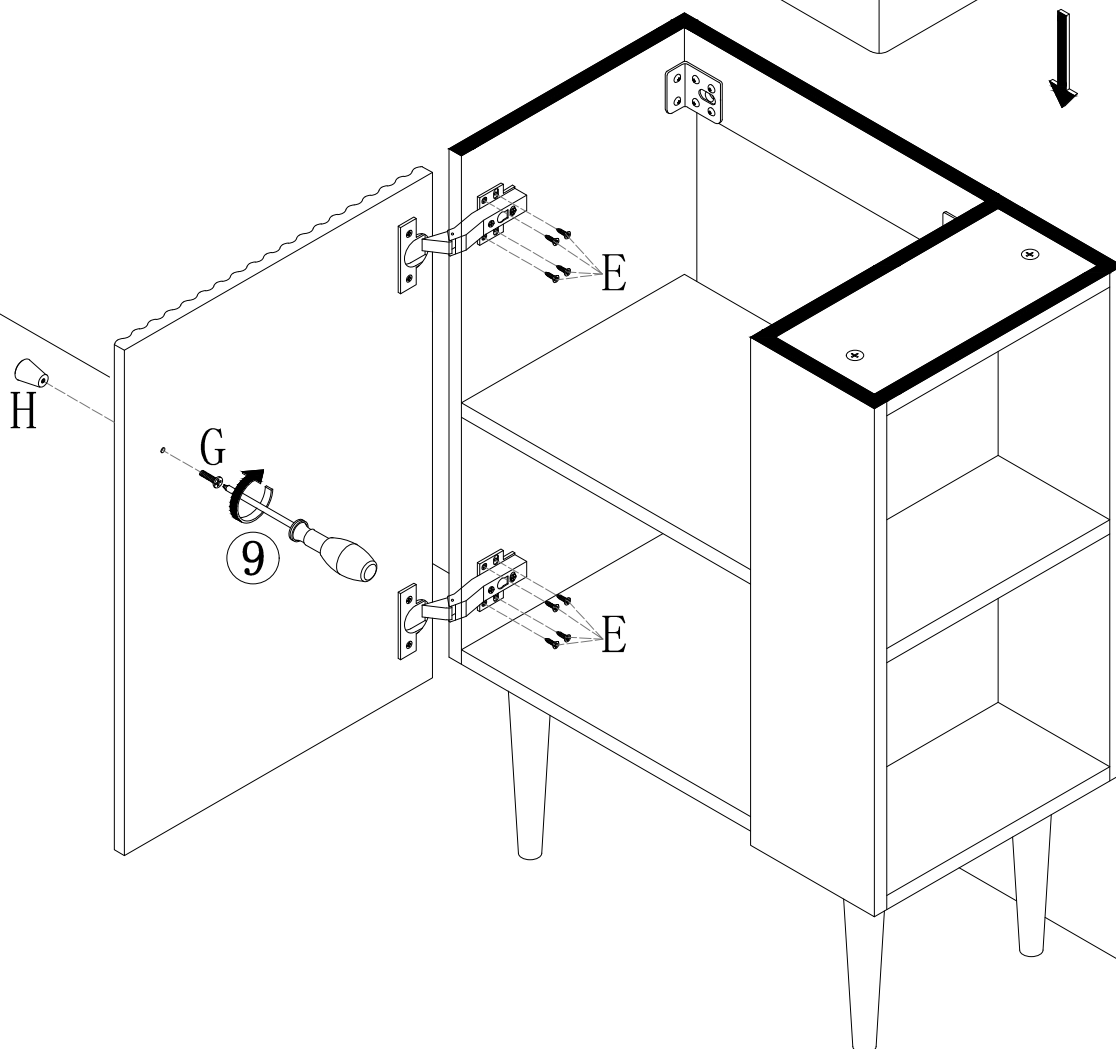
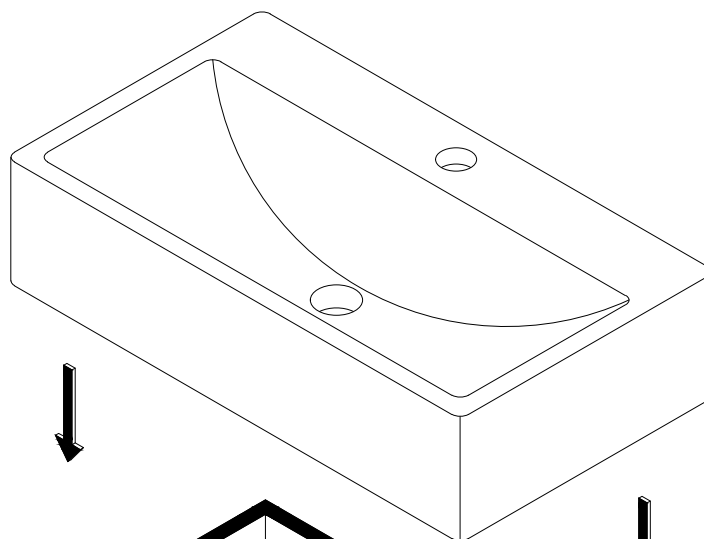


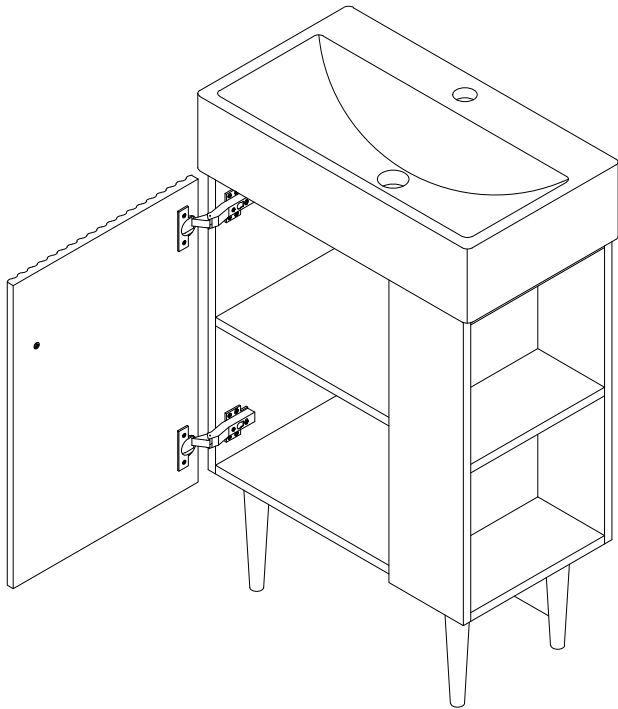
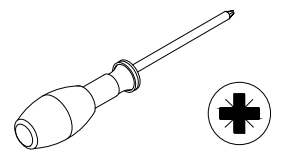
Setp 11

E * 8	G * 1	H * 1
		
M4 x 14mm	M4 x 20mm	



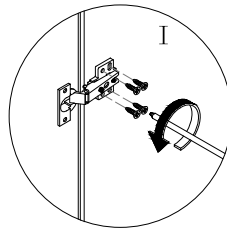
Wall



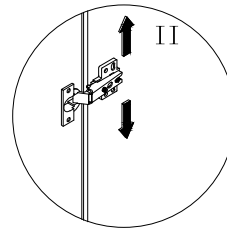


Adjust door following the direction.

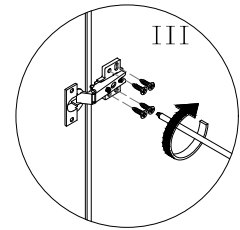
Adjust the door up and down to match the cabinet.



I:loosen the screw.



II:Adjust the upper and lower position.

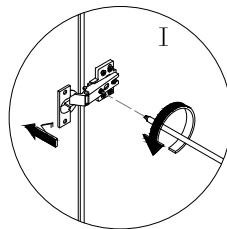


III:tighten the screw.

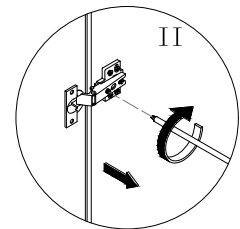


When the door position is not standard,please adjust the door according to the right picture.

Adjust the door left and right to match the cabinet for suitable crack of the door



I:loosen the screw to keep hinge apply force toward the direction of arrow.

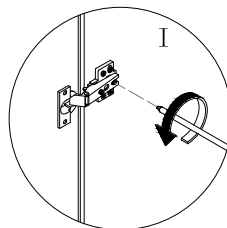


II:tighten the screw to keep hinge apply force toward the direction of arrow.

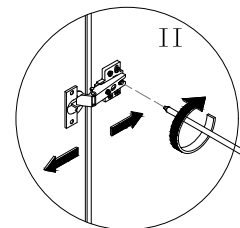


Please place the cabinet on the flat floor before adjustment.

Adjust the door backwards and forwards to match the cabinet.



I:loosen the screw.



II:Adjust the distance between front and back.

Setp 13

