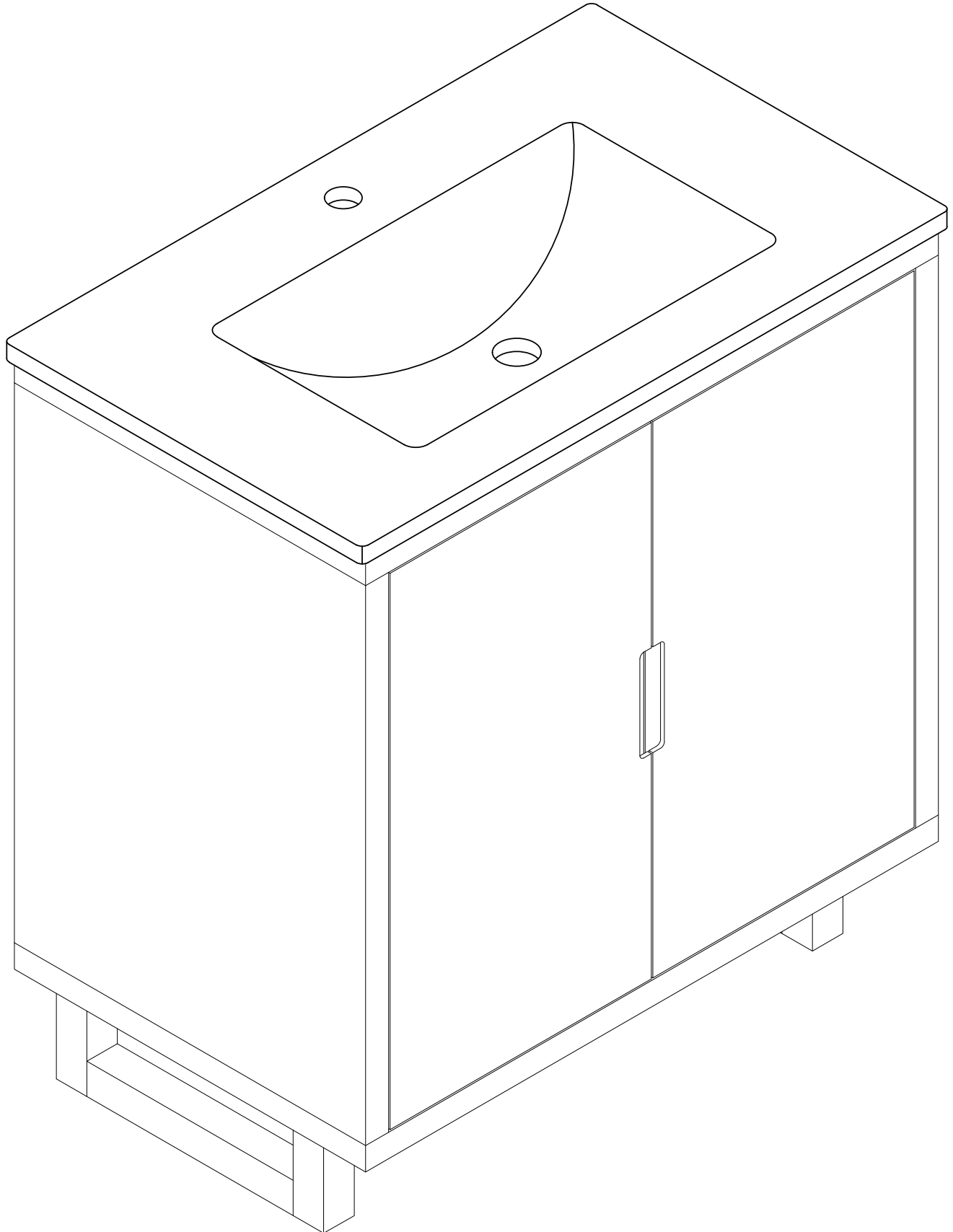
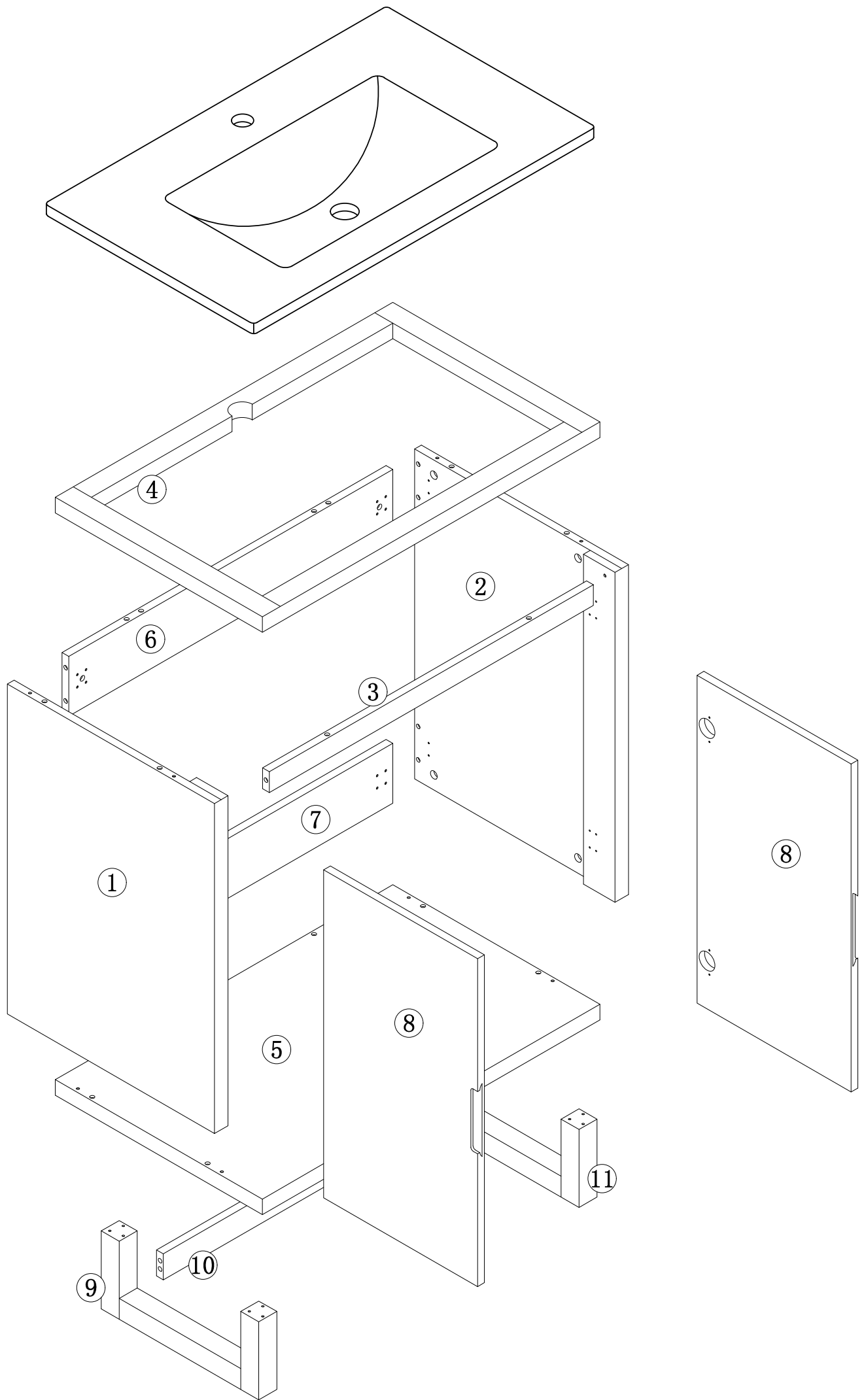
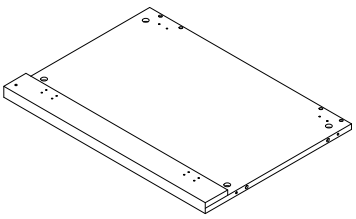
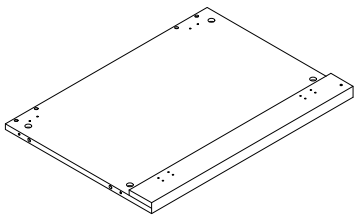
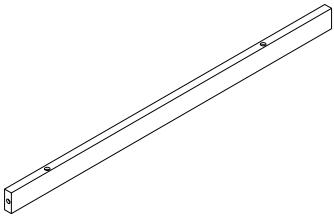
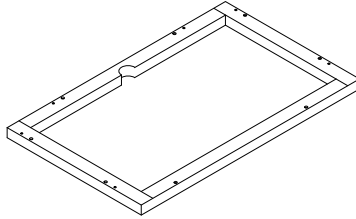
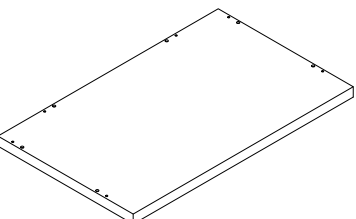
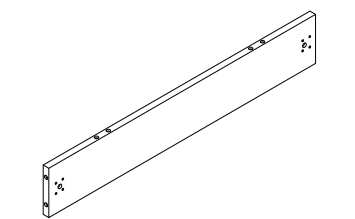
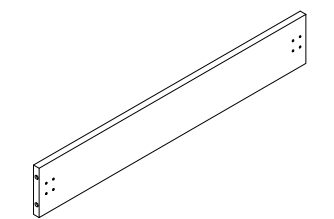
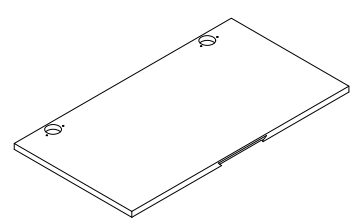
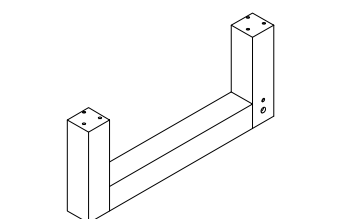
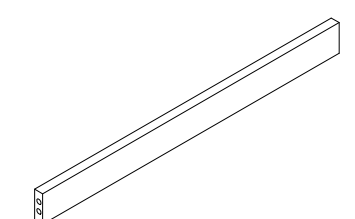
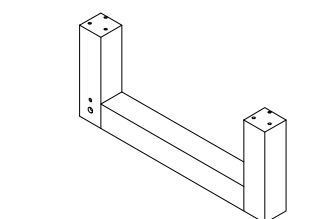


ASSEMBLY INSTRUCTION

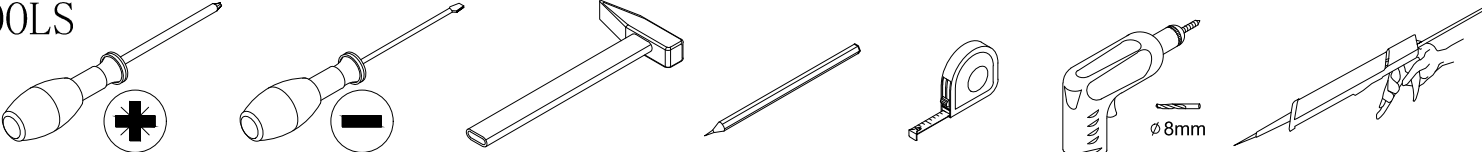
WF298296AAA

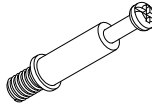

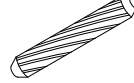


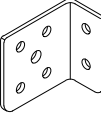
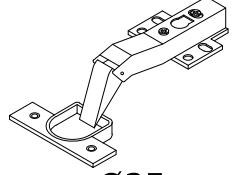

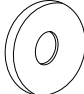
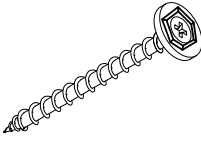
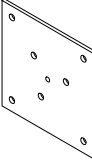
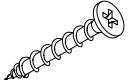
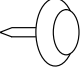




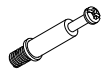
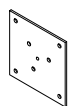

			
① x1	② x1	③ x1	④ x1
			
⑤ x1	⑥ x1	⑦ x1	⑧ x2
			
⑨ x1	⑩ x1	⑪ x1	

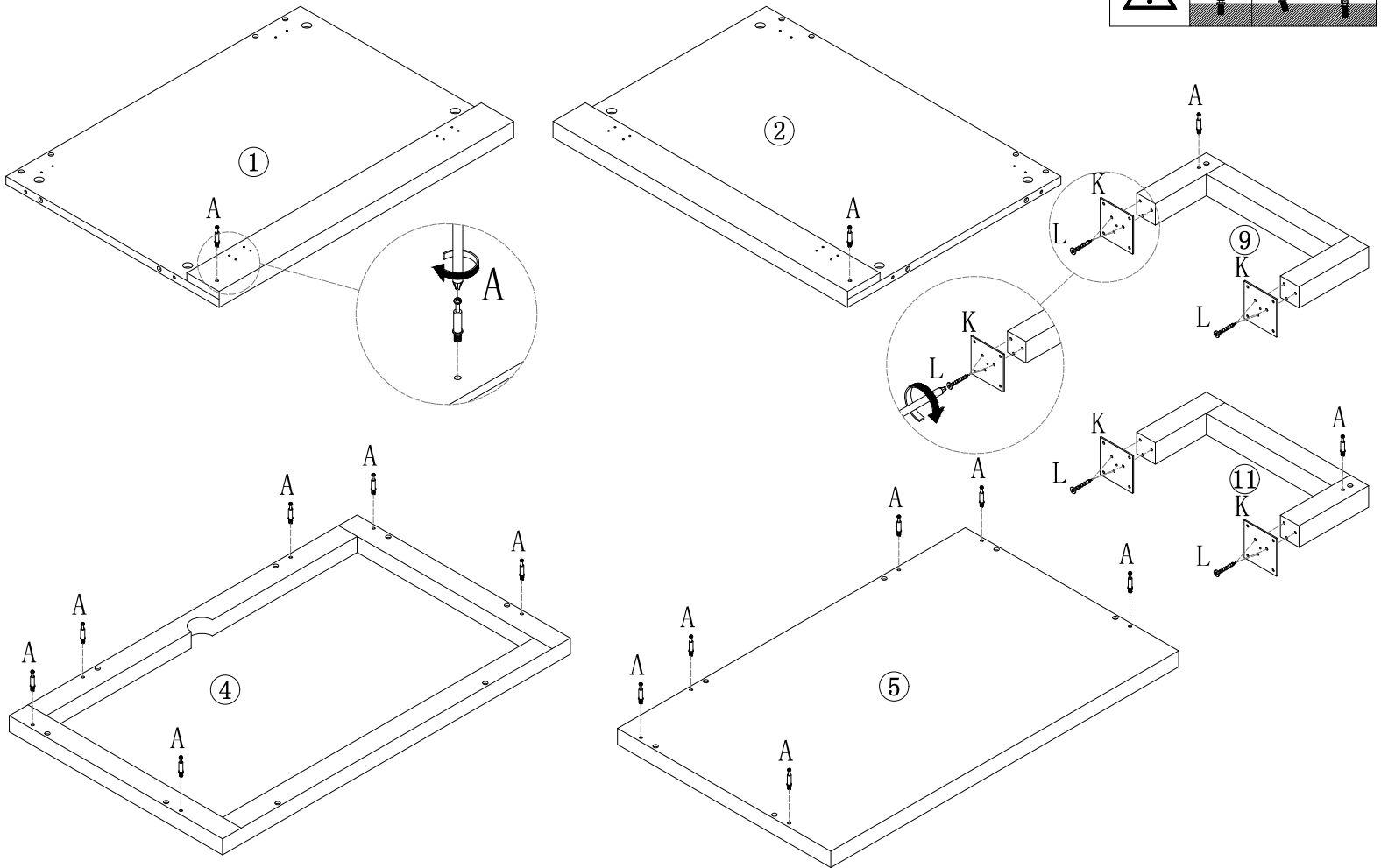
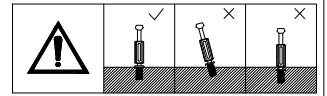
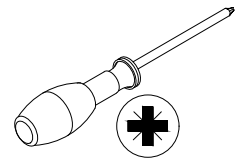
TOOLS






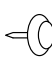
A * 16	B * 16	C * 24	D * 40	E * 24
				
M6 X 35mm	Ø15 x 12mm	Ø8 x 30mm	M4 x 14mm	M4 x 14mm
F * 4	G * 4	H * 2	I * 2	J * 2
				
	Ø35	Ø8 x 40mm	Ø20	M6 x 60mm
K * 4	L * 12	M * 4		
				
	M4 x 35mm	Ø5 x 15mm		

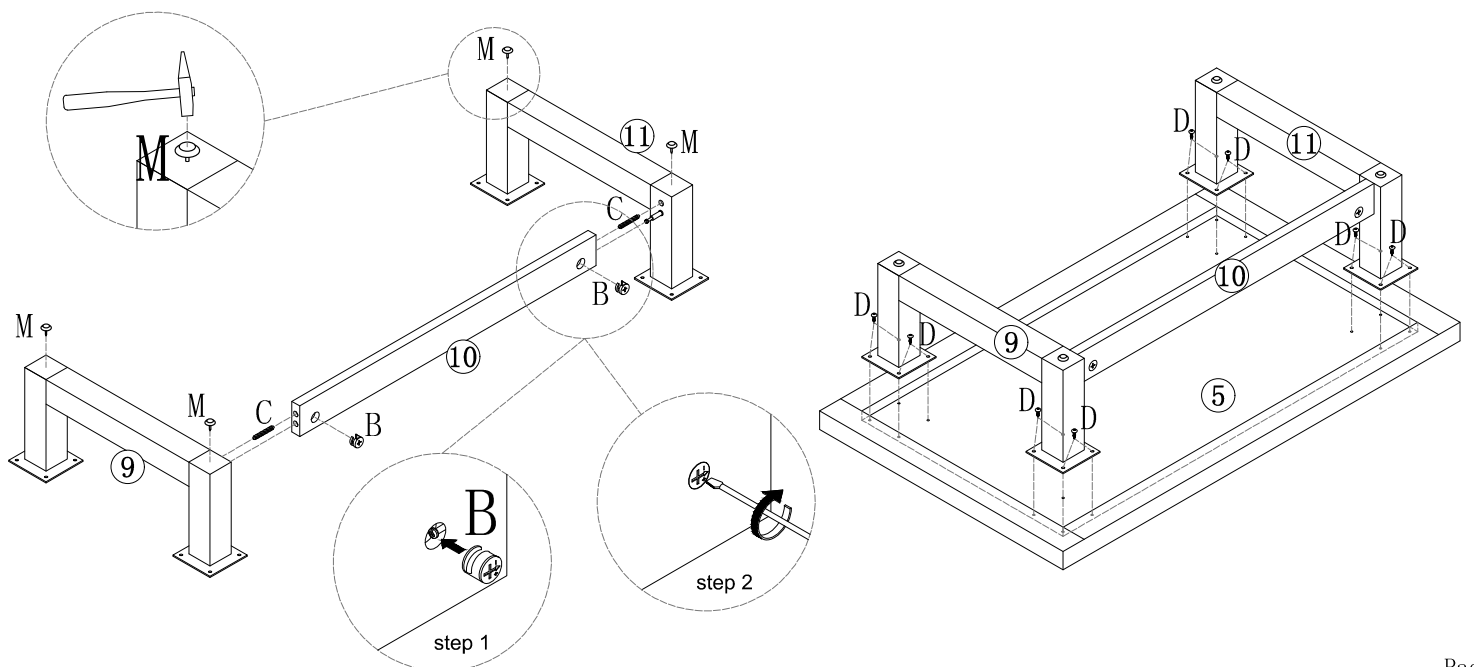
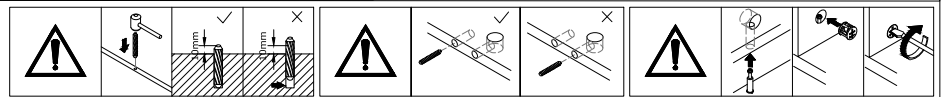
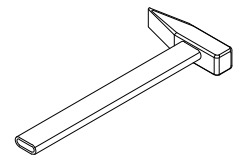
Setp 1

A * 16	K * 4	L * 12
		
M6 X 35mm		M4 x 35mm



Setp 2

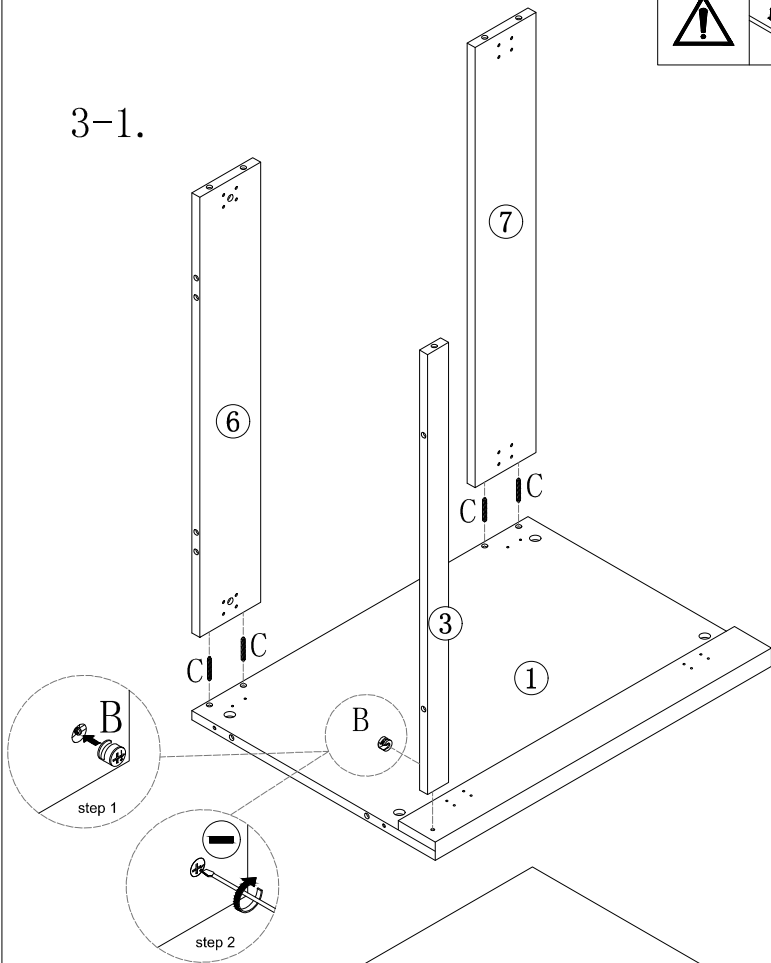
B * 2	C * 2	D * 16	M * 4
			
Ø15 x 12mm	Ø8 x 30mm	M4 x 14mm	Ø5 x 15mm



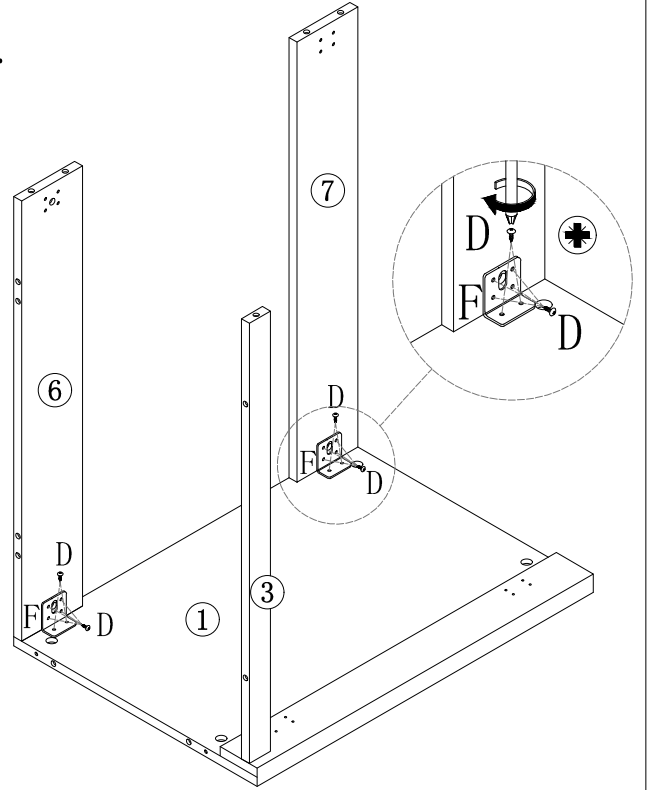
Step 3

B * 2	C * 8	D * 24	F * 4		
 Ø15 x 12mm	 Ø8 x 30mm	 M4 x 14mm			

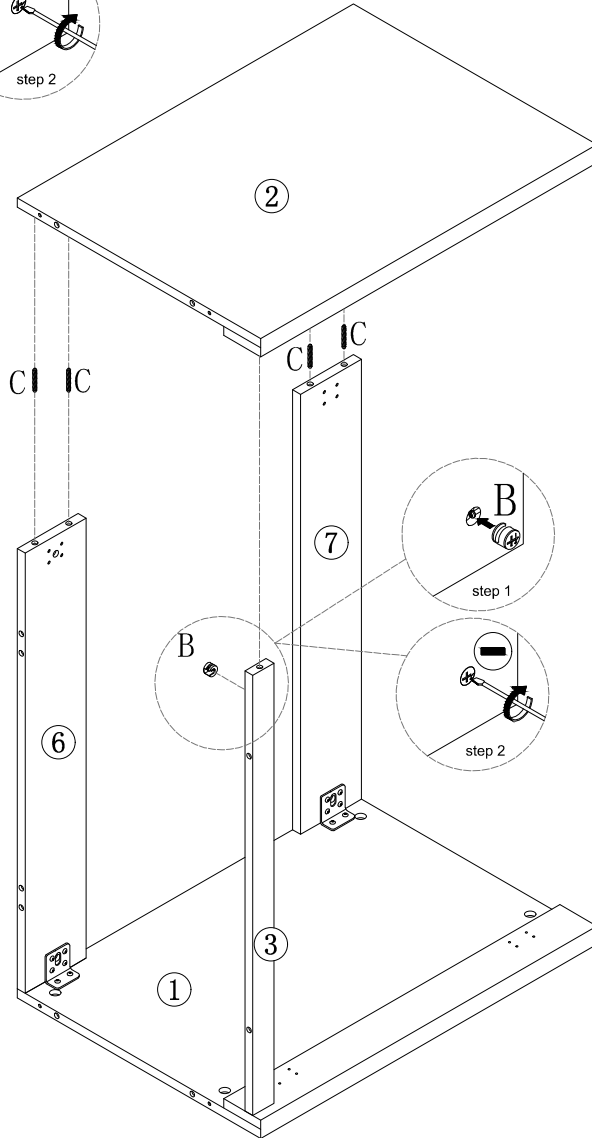
3-1.



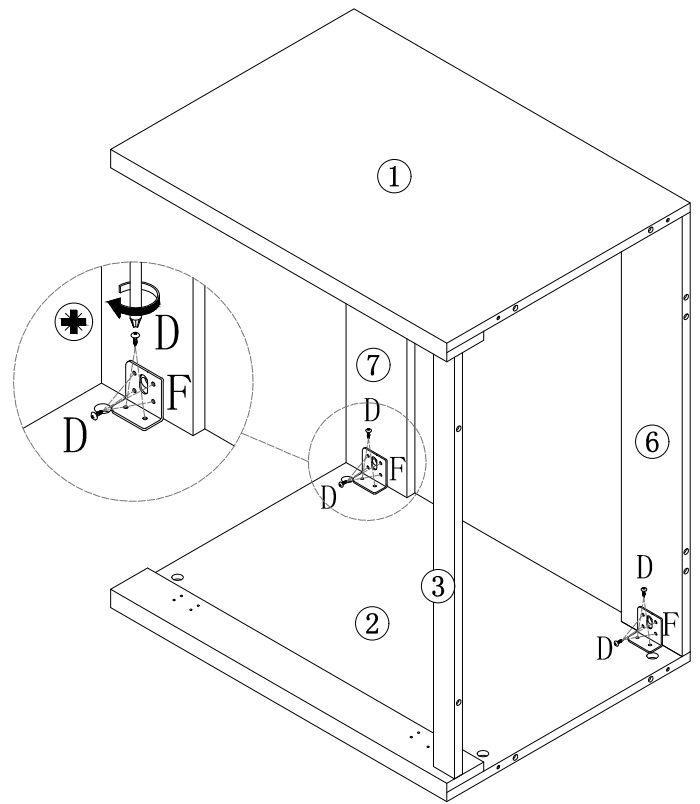
3-2.



3-3.



3-4.



Step 4

B * 12

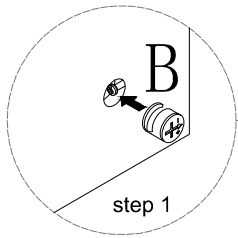
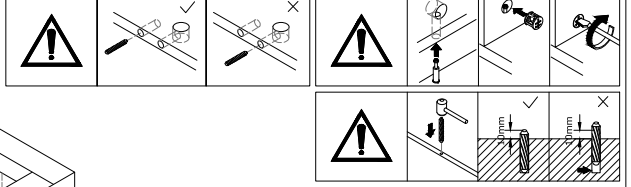
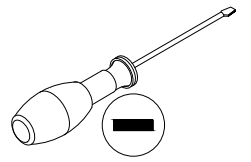
C * 14



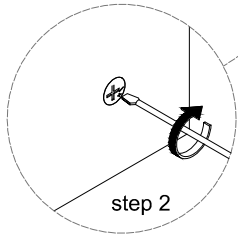
Ø15 x 12mm



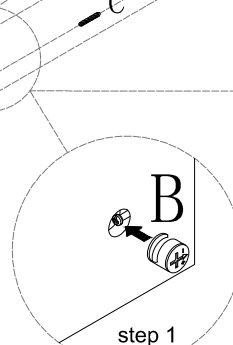
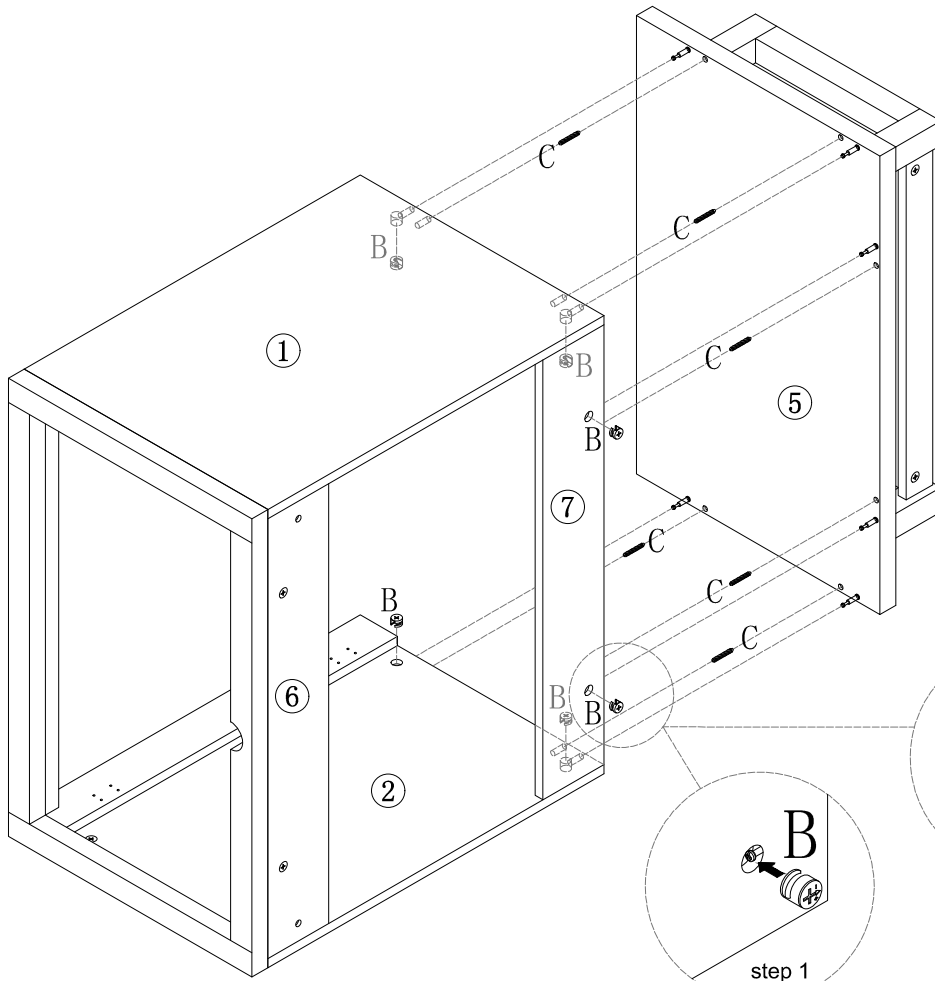
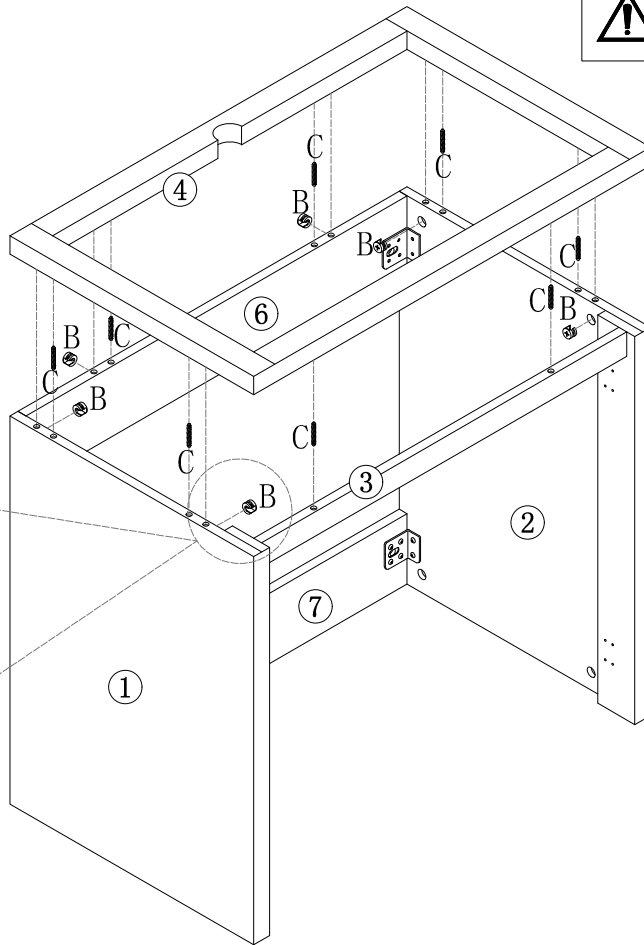
Ø8 x 30mm



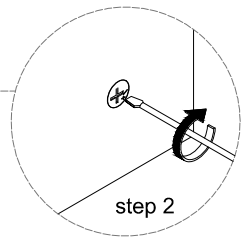
step 1



step 2



step 1



step 2

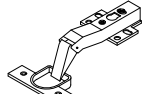
Setp 5

E * 8

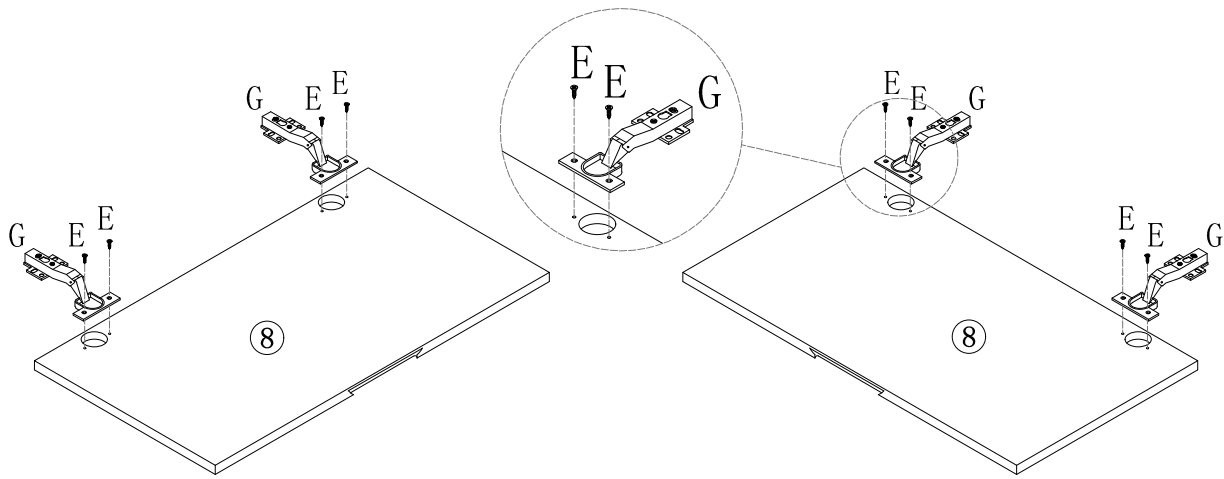
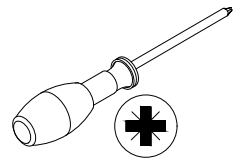
G * 4



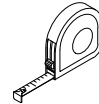
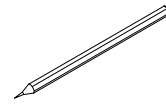
M4 x 14mm



Ø35



Setp 6




Wall

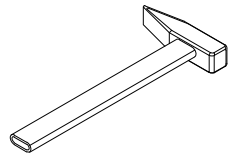
657mm

745mm

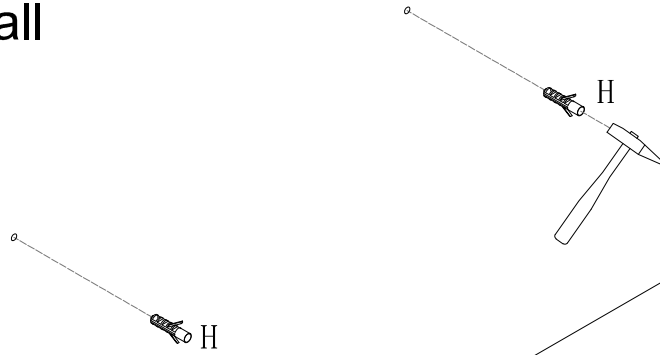
Please mark the location on the wall with a pencil, then punch the hole

Setp 7




H * 2

Ø8 x 40mm

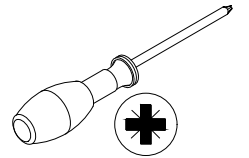


Wall

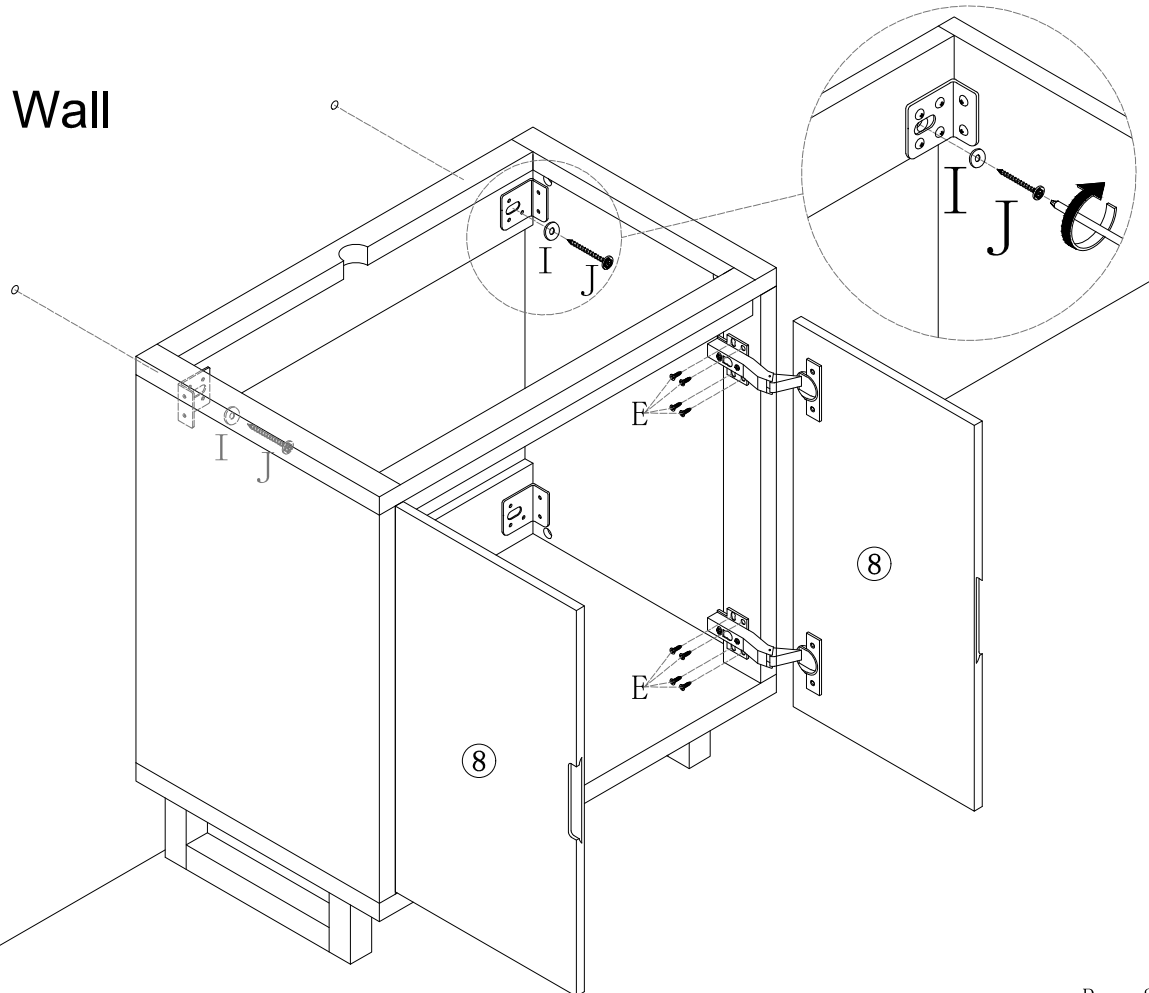


Setp 8

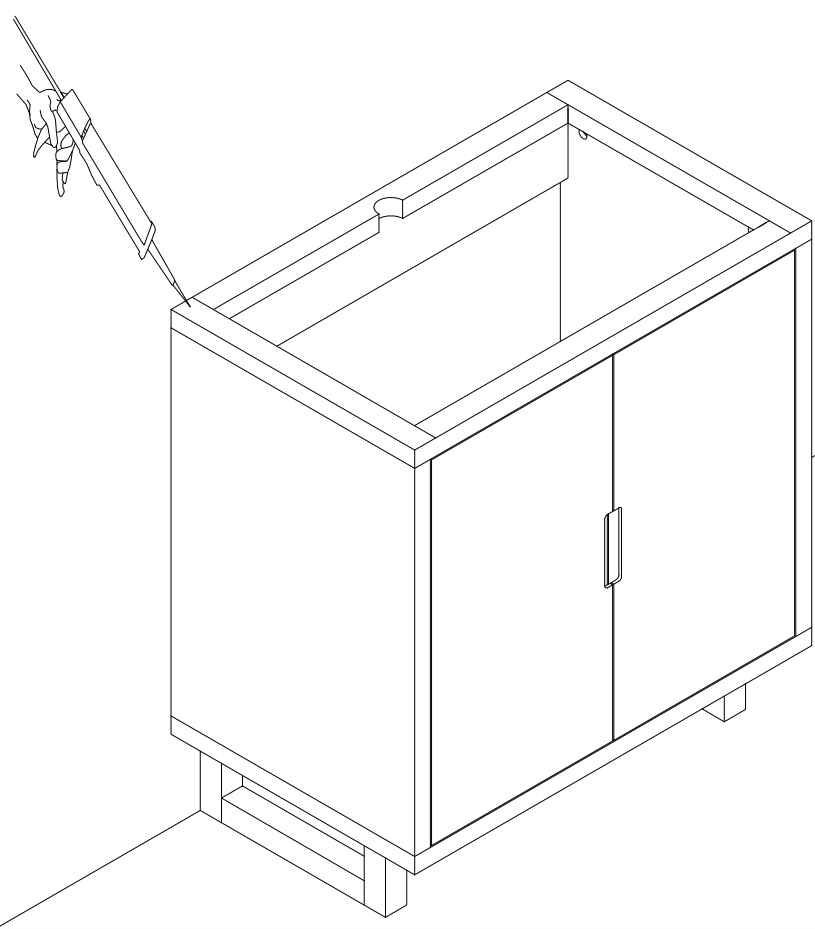
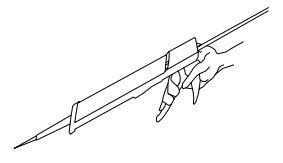
E * 16	I * 2	J * 2
		
M4 x 14mm	Ø20	M6 x 60mm



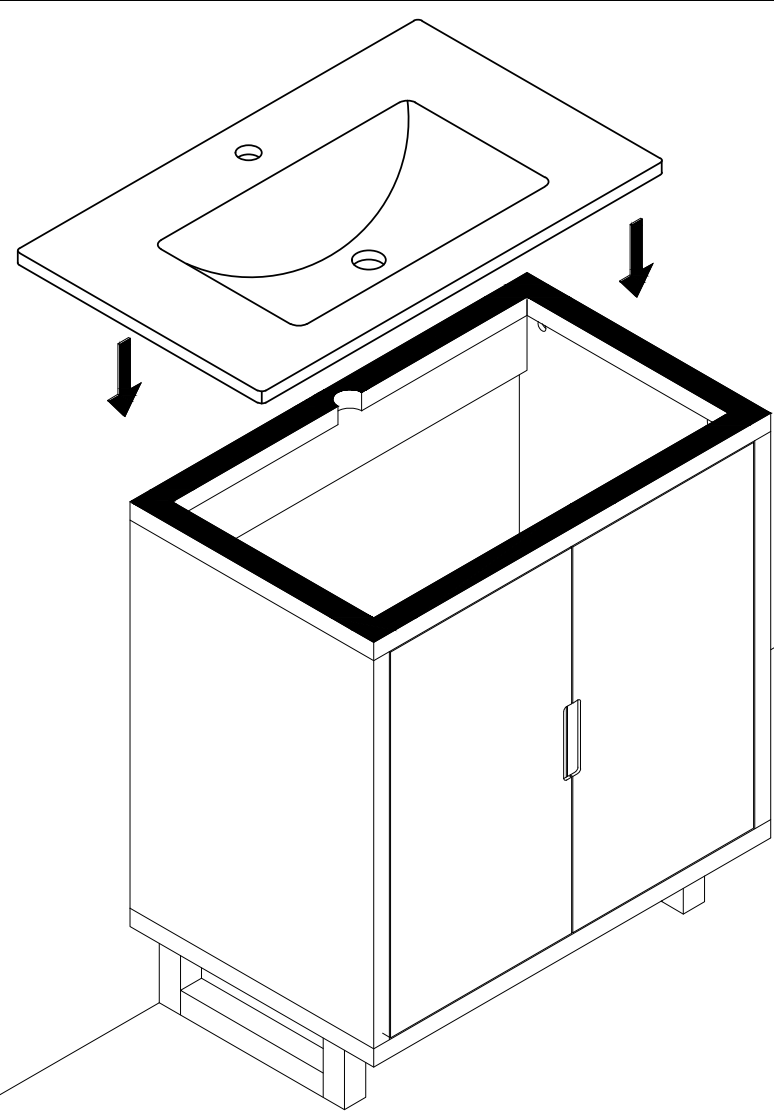
Wall



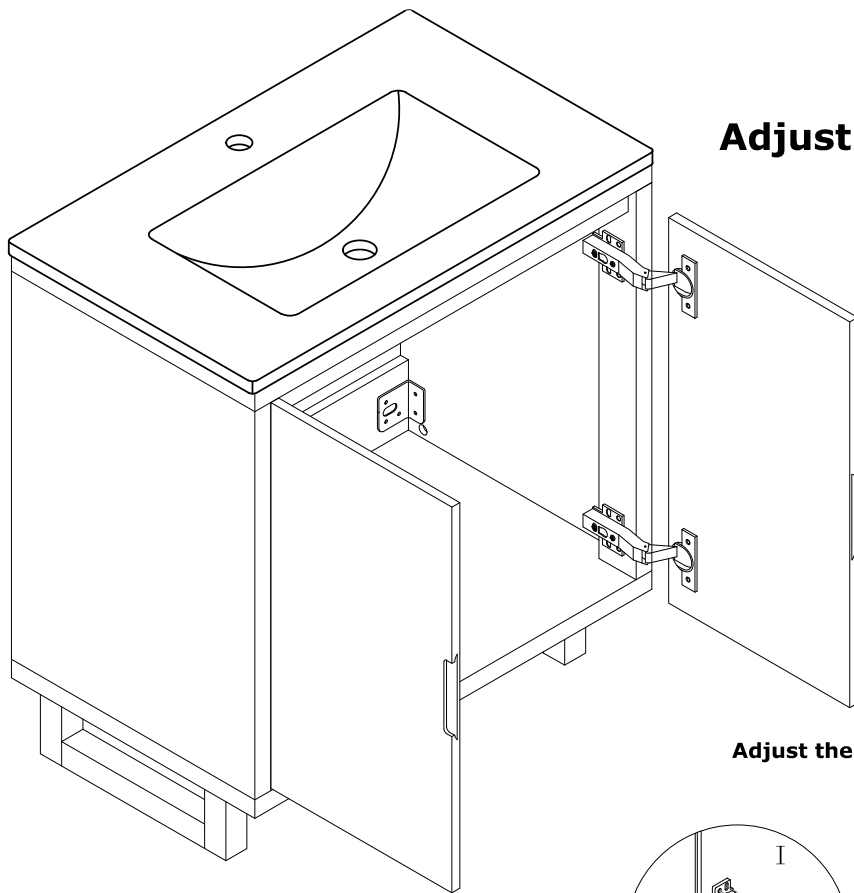
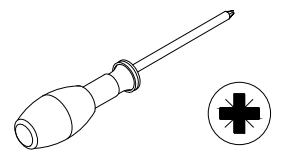
Setp 9



Wall

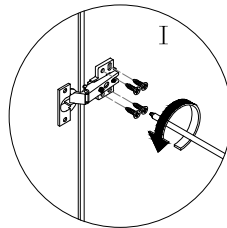


Wall

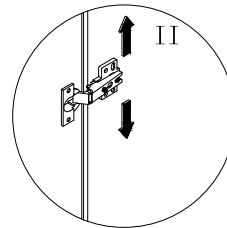


Adjust door following the direction.

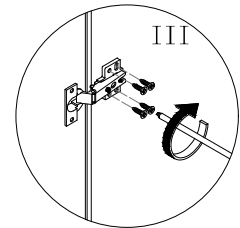
Adjust the door up and down to match the cabinet.



I:loosen the screw.



II:Adjust the upper and lower position.

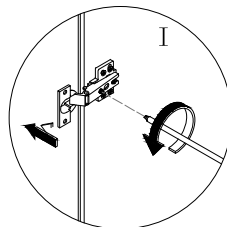


III:tighten the screw.

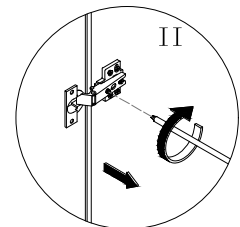


When the door position is not standard,please adjust the door according to the right picture.

Adjust the door left and right to match the cabinet for suitable crack of the door



I:loosen the screw to keep hinge apply force toward the direction of arrow.

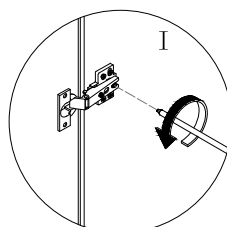


II:tighten the screw to keep hinge apply force toward the direction of arrow.

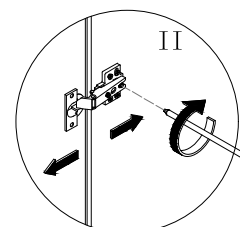


Please place the cabinet on the flat floor before adjustment.

Adjust the door backwards and forwards to match the cabinet.



I:loosen the screw.



II:Adjust the distance between front and back.

Setp 11

