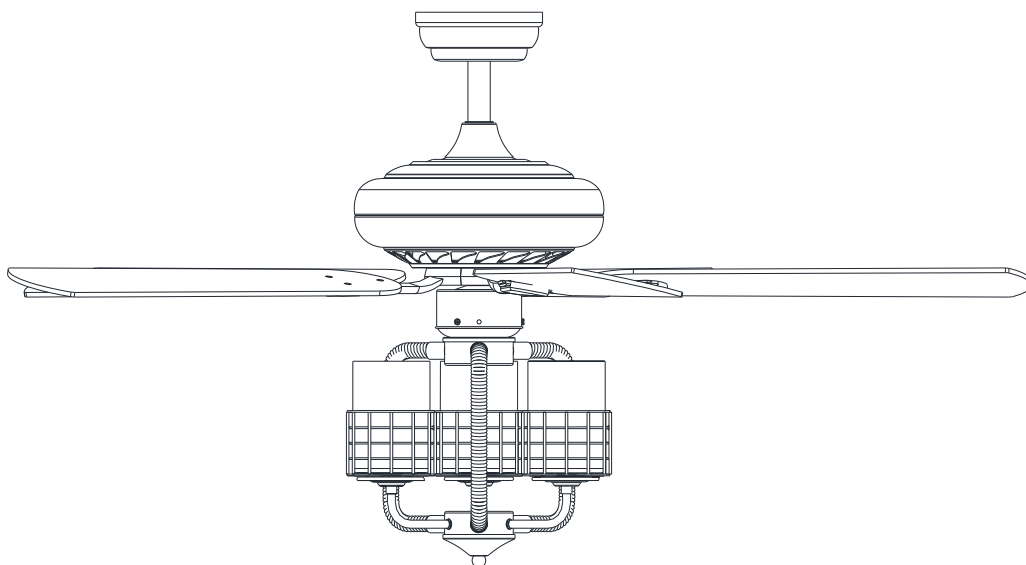

USE AND CARE GUIDE

52-INCH DECORATIVE CEILING FAN



EL2973496AAA

Safety Information

1. To reduce the risk of electric shock, the electricity has been turned off at the circuit breaker or fuse box before begin.
2. All wiring must be in accordance with the National Electrical Code NASI/NEPA 70–1999 and local electrical codes. Electrical installation should be performed by a qualified licensed electrician.
3. The outlet box and support structure must be securely mounted and capable of reliably supporting 35lbs. (15.9kg). Use only UL listed outlet boxes marked “Acceptable for Fan Support of 35lbs(15.9kg) or less.”
4. The fan must be mounted with a minimum of 7 ft. (2m) clearance from the trailing edge of the blades to the floor.
5. Do not operate the reversing switch while the fan blades are in motion. You must turn the fan off and stop the blades before you reverse the blade direction.
6. Do not place objects in the path of the blades.
7. To avoid personal injury or damage to the fan and other items, please be careful when working around or cleaning the fan.
8. Electrical diagrams are for reference only. Light kits that are not packed with the fan must be UL -listed and marked suitable for use with the model fan you are installing. Switches must be UL General Use Switches. Refer to the instructions packaged with the light kits and switches for proper assembly.
9. After making electrical connections , spliced conductors should be turned upward and pushed carefully up into the outlet box. The wires should be spread apart with the grounded conductor and the equipment-grounding conductor on one side of the outlet box.
10. All set screws must be checked and retightened where necessary before installation.

WARNING

To reduce the risk of personal injury, do not bend the blade brackets (also referred to as flanges) during assembly or after installation. Do not insert objects in the path of the blades .

Remove the rubber motor stops on the bottom of the fan before installing the blades or testing the motor.

To reduce the risk of fire or electric shock, do not use this fan with any solid-state speed control device.

To avoid possible electric shock, turn the electricity off at the main fuse box before wiring. If you feel you do not have enough electrical wiring knowledge or experience , contact a licensed electrician.

Electrical diagrams are for reference only. Optional use of any light kit shall be UL-listed and marked suitable for use with this fan.

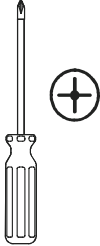
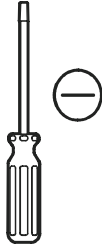
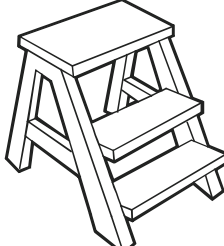
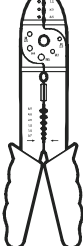
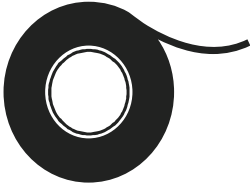
To reduce the risk of fire, electric shock, or personal injury, mount to outlet box marked "Acceptable for fan support of 35 lbs. (15.9 kg) or less" and use the screws provided with the outlet box.

The above data are for reference only, Actually the motor speed of each ceiling fan is a little different. Any products, Subject to actual products as standard.

NOTE	These are approximate measures.They do not include the amps and wattage used by the light kit.
-------------	--

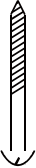
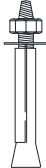



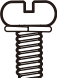


Specifications & measurements shown are subject to± 5% variations.

TOOLS REQUIRED

				
Phillips screwdriver	Flat blade screwdriver	Step ladder	Wire stripper	Electrical tape

HARDWARE INCLUDED

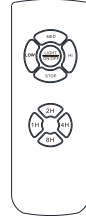
components table

 AA Mounting screws ×4	 BB Expansion bolts ×2	 CC Plastic wire nut (not to scale) ×3	 DD Blade attachment screw ×16	 EE Paper Washers ×16
 FF blade arm screw and lock washer ×1	 5G GG Balance sheet ×2	 HH Balance the clip ×1		

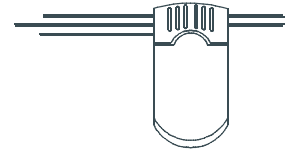
NOTE	Hardware not shown to actual size.
-------------	------------------------------------

Pre-Installation(continued)

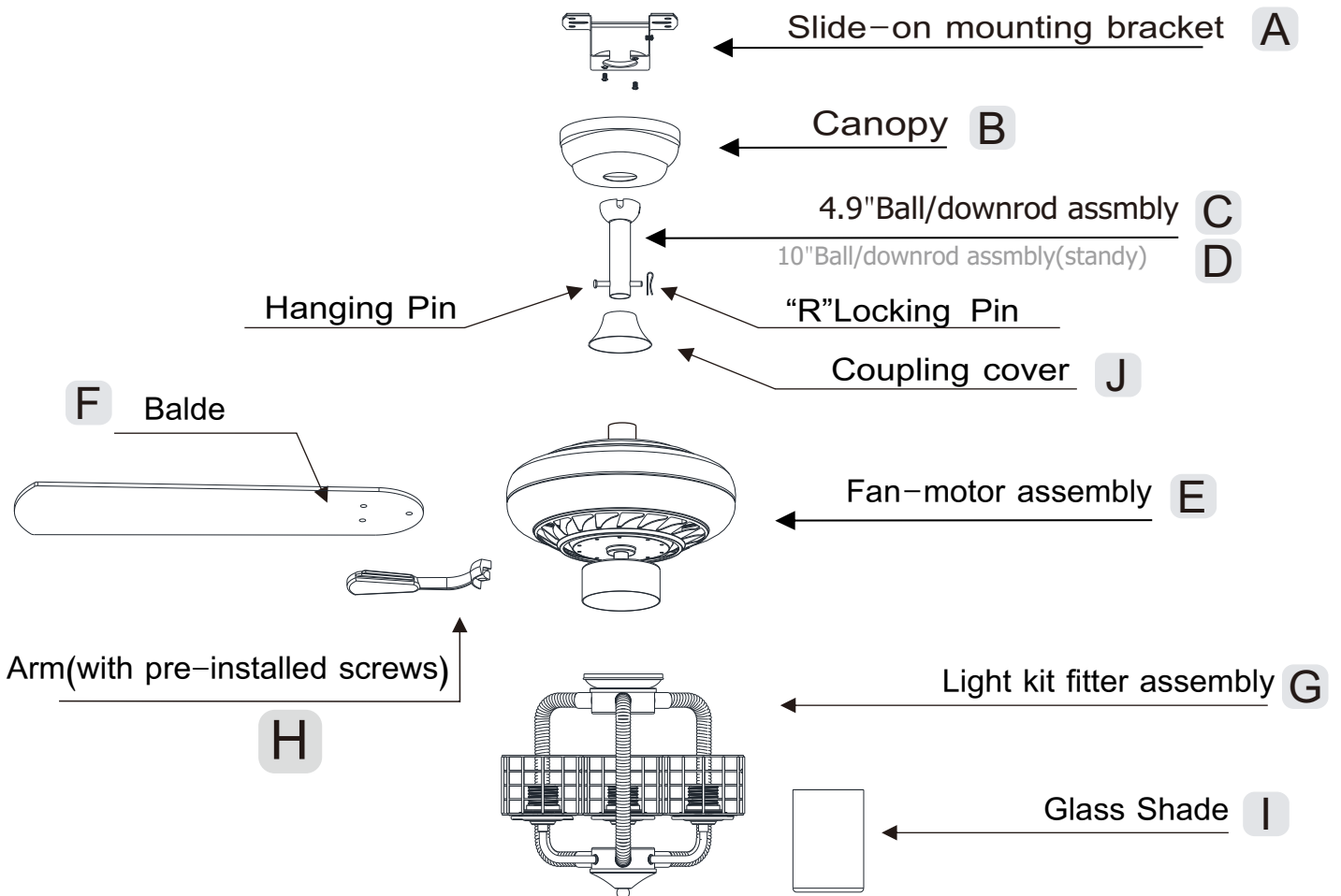
PACKAGE CONTENTS



Remote control (Transmitter)

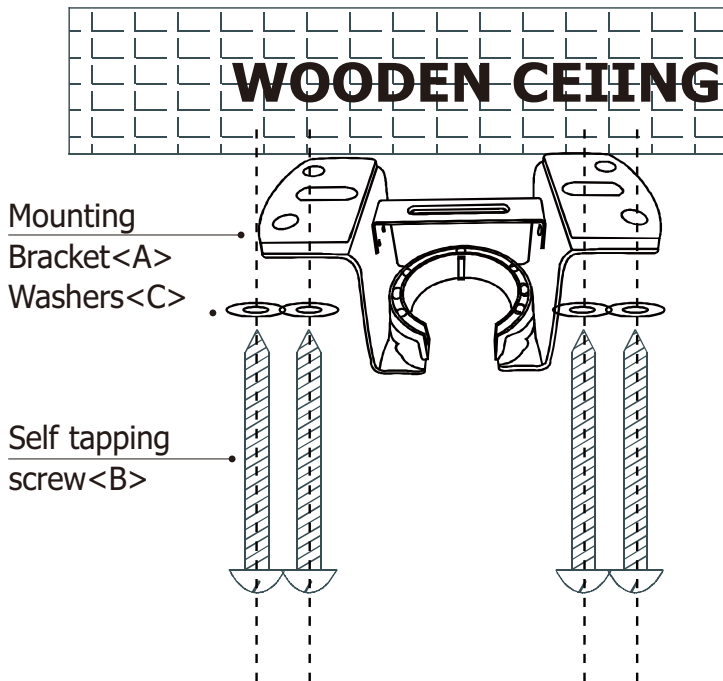


Remote control (receiver)



Pls check whether above accessories are completed or not?Yes, and install.

Installation of the hanging bracket (suspension part)



For wooden ceiling, use wood screw to drill on the wooden beam or the "junction box" to fix the hanging bracket(selection is made according to actual requirements of the customers)

STEP 1 A-WOODEN CEILING

SWITCH OFF THE ELECTRICAL MAINS AT THE CIRCUIT BREAKER FUSE BOX.

- 1) Use the Mounting Bracket (A) as a guide, mark the spots where the 4 Self Tapping Screws (B) will be drilled.
- 2) Remove the Mounting Bracket (A), drill 4 holes for 3MM diameter, install the mounting bracket onto wooden ceiling with the 4 Self Tapping Screws (B) & Washers (C)

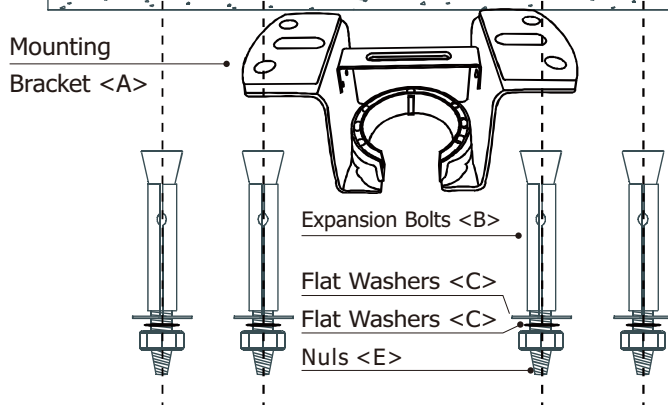


IMPORTANT : SCREWS MUST BE TIGHTENED TILL SNUG

NOTE

According to the ceiling of different materials, use different screws to fix the hanging bracket. Don't fix the hanging bracket on the wood ceiling less than 12MM to prevent danger caused by loosening of screws. After the hanging bracket is completed, ensure that it can withstand the tension test of more than 68KG for safety.

CONCRETE CEILING



For concrete ceiling, use the percussion bit with diameter 8mm to drill holes according to the length of expansion screws. Then use the attached expansion screws to fix the hanging bracket onto the ceiling (selection is made according to actual requirements of the customers).

STEP 2 A-CONCRETE CEILING

SWITCH OFF THE ELECTRICAL MAINS AT THE CIRCUIT BREAKER FUSE BOX.

- 1)Use the Mounting Bracket (A) as a guide, mark the spots where the 4 Expansion Bolts (B)will be drilled.
- 2)Remove the Mounting Bracket (A), drill 4 holes and insert 4 Expansion Bolts (B)into the concrete ceiling, install the mounting bracket and secure with Flat Washers (C), Spring Washers (D) and Nuts (E).



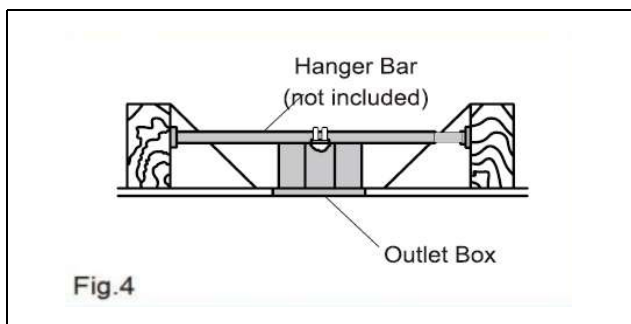
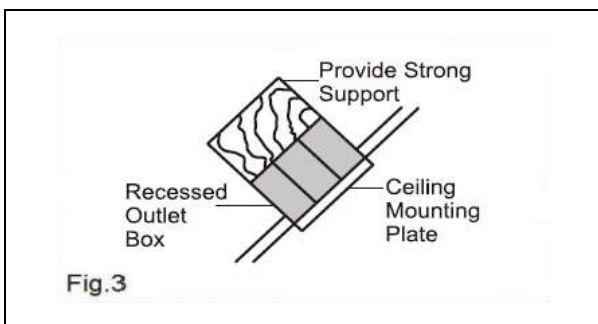
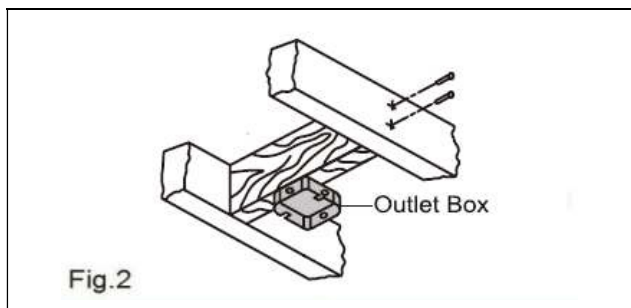
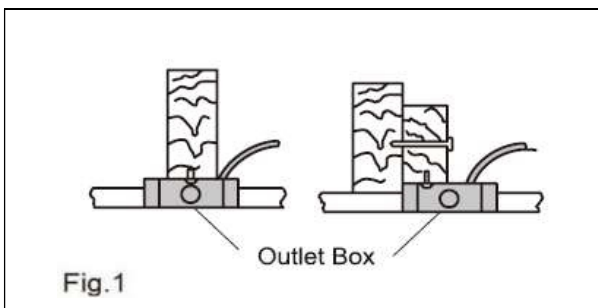
IMPORTANT : SCREWS & NUTS MUST BE TIGHTENED TILL SNUG

Electrical Outlet Box



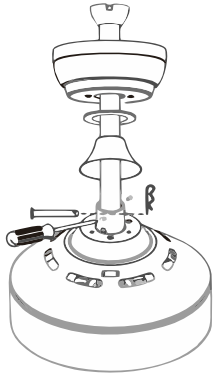
WARNING : Contact a qualified electrician to replace the outlet box if it is not suitable for ceiling cans

- If there is an existing outlet box, ensure it is clearly marked "Suitable for Fan Support". If not, it must be replaced with an approved one.
- Secure the outlet box (or make sure the existing box is secured) directly to the building structure. Use appropriate fasteners and building materials. Wood joist and outlet box must be able to support a minimum of 50 pounds.
- Fig. 1, 2 and 3 are examples of different ways to mount the outlet box in different situations. A hanger support bar may be required.



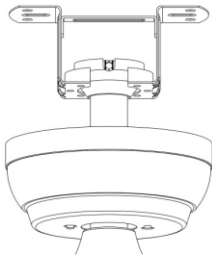
Assembly - Hanging the Fan

Install downrod assembly



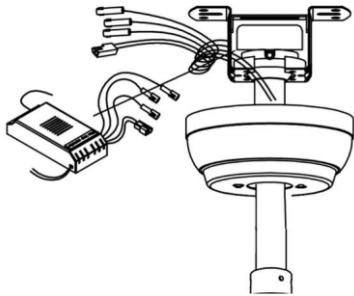
- Insert the motor cover into the motor assembly, align the hole, and then lock the motor cover with screws.
- Carefully feed the motor wires up through the downrod
- Align the holes and replace hanger pin and locking pin.
- Tighten the two collar setscrews.
- Slip coupling cover, canopy cover and canopy onto the downrod.

Hang the fan



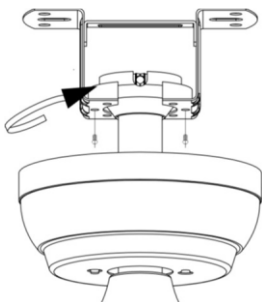
- Lift the fan motor assembly up to the mounting bracket and seat the hanger ball in the mounting bracket socket. Rotate the fan motor assembly until the check groove drops into the registration slot and seats firmly. The downrod should not rotate if this is done correctly

Install remote receiver



- Insert the receiver into the mounting bracket with the flat side of the receiver facing the ceiling

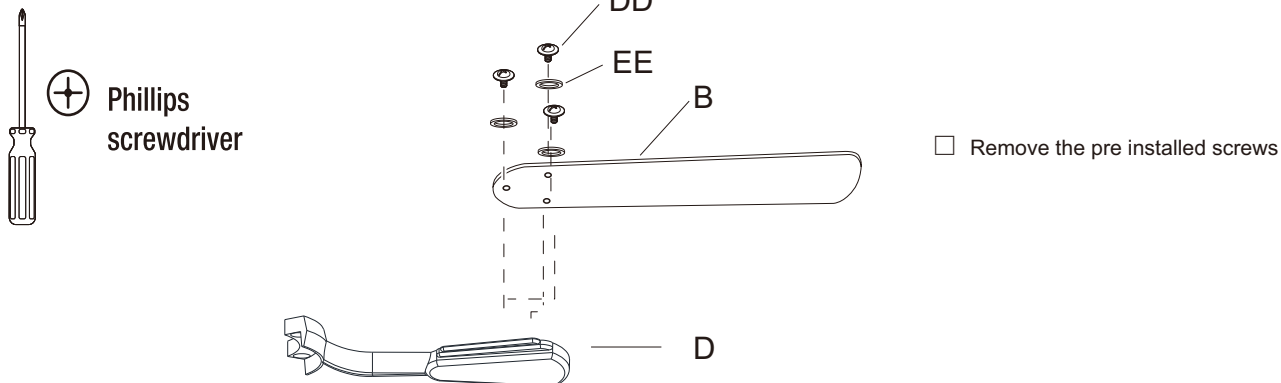
Install canopy



- Ensure the loosened screw is inserted into the key hole on the mounting bracket.
- Carefully raise the canopy up to the mounting bracket. Rotate the canopy clockwise.
- Secure the canopy by replacing the screws previously removed and tightening the screw previously loosened
- Place the canopy cover (if applicable) and rotate the canopy cover clockwise until it locks into position.

Fastening the blade arms to the motor

Attaching the blades to the arms



Fastening the blade arms to the motor



WARNING: Remove the rubber motor stops on the bottom of the fan before installing the blades or testing the motor.



NOTE: Your fan features revolutionary advancements for quick and easy blade installation. Including an alignment post and captive blade arm screws.



NOTE: Your fan blades are reversible. Select the blade side finish which best accentuates your decor.

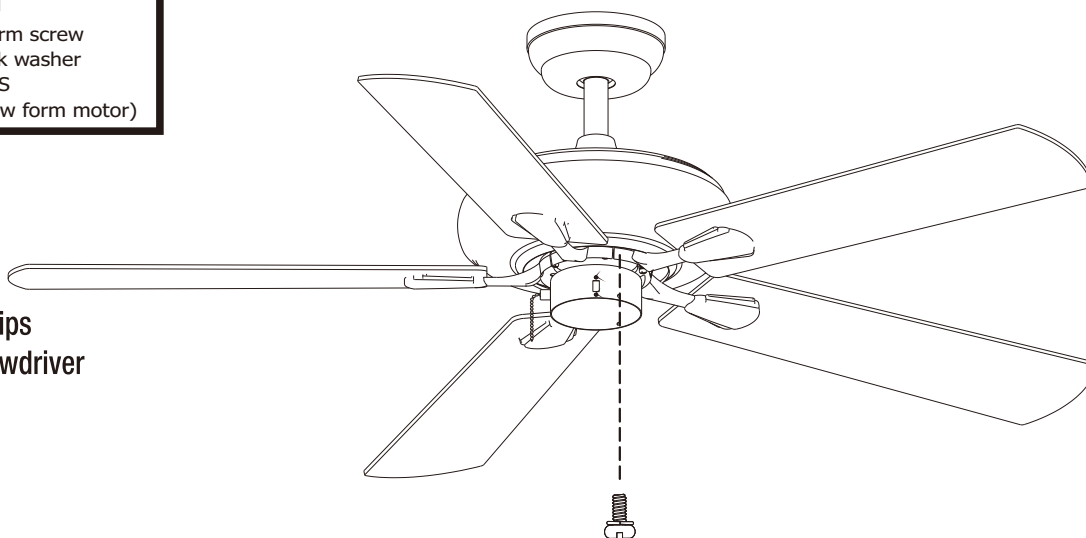


FF

blade arm screw
and lock washer
× 10PCS
(unscrew from motor)

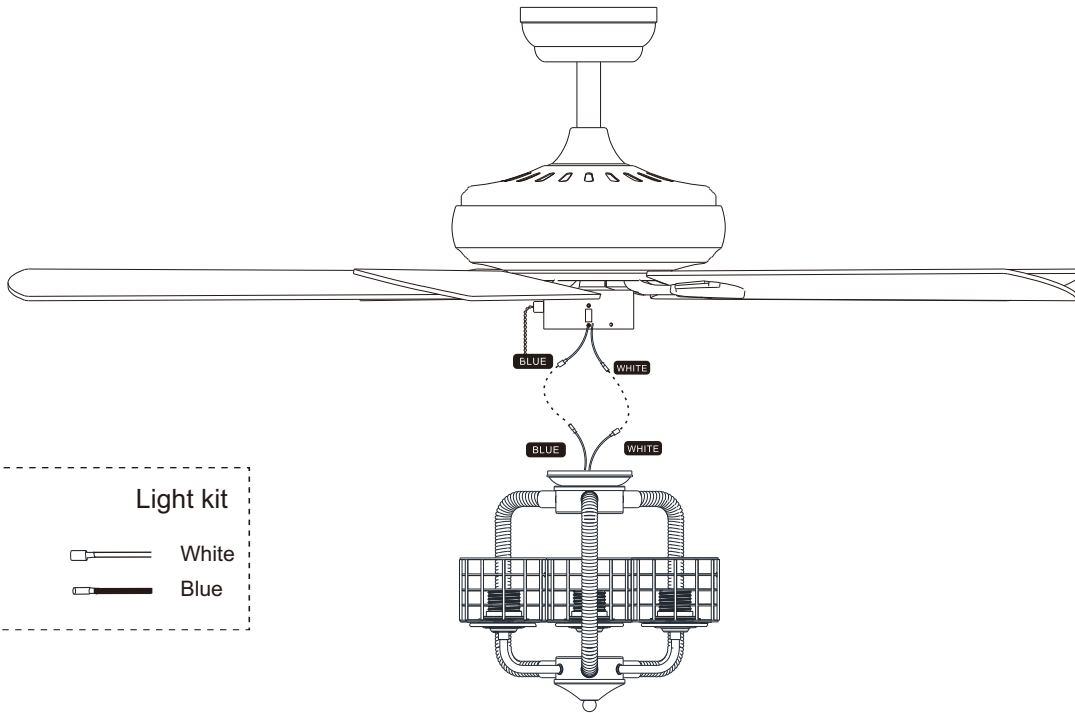


Phillips
screwdriver

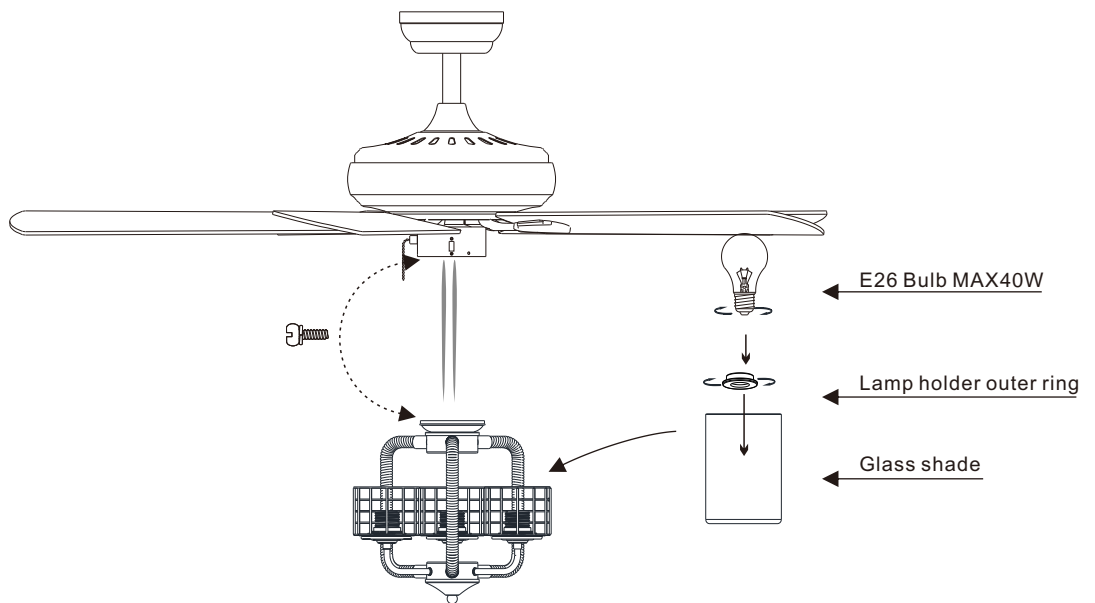


Finish

Assembly-Attaching the Lights



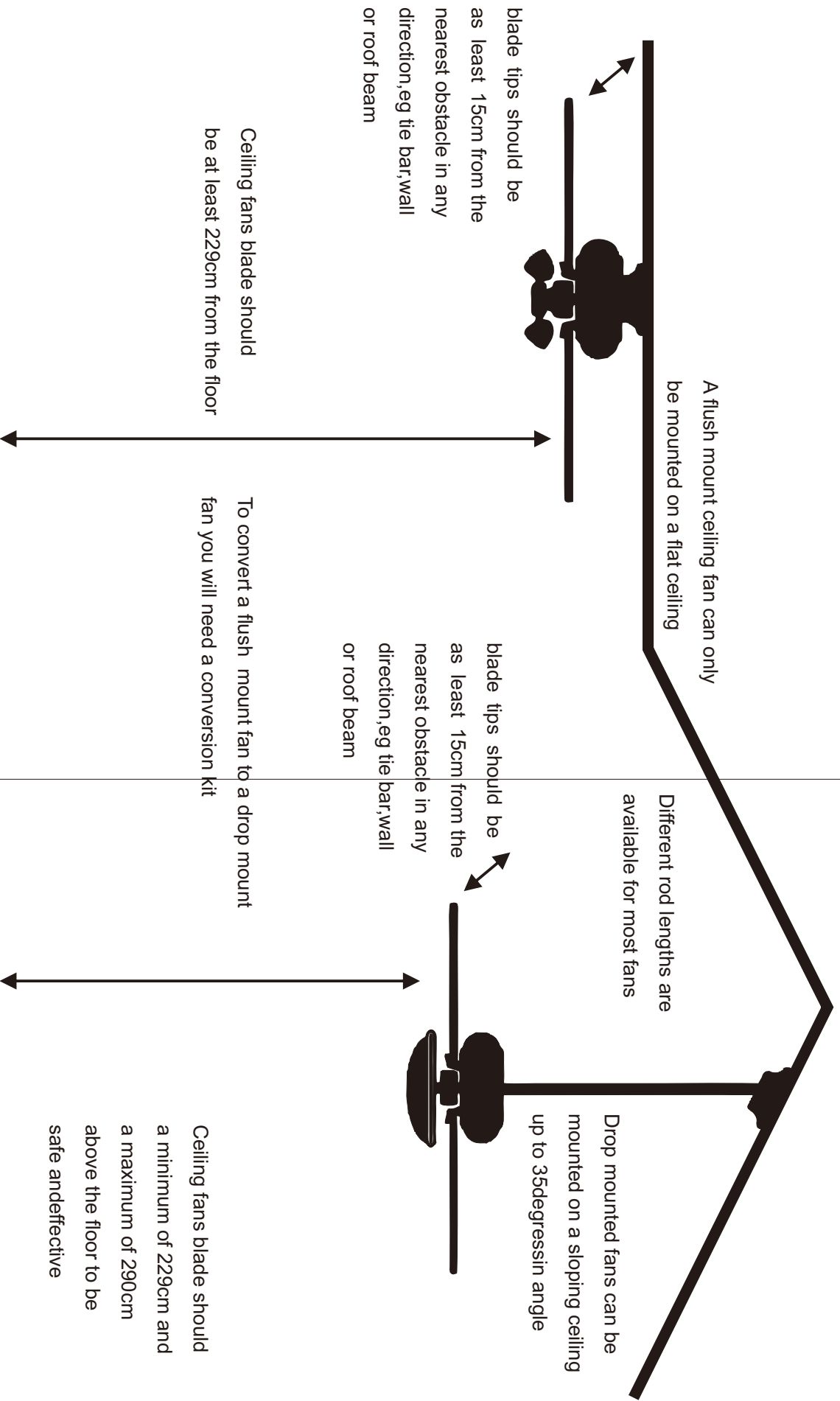
- Insert the "white" line in the switching box of the motor into the "white" line of the light and tie insulated rubber tape.
- Insert the "blue" line in the switching box of the motor into the "blue" line of the light and tie insulated rubber tape.






Phillips screwdriver


- Take the wire into the switching box of the motor.
- Align the opening of switching box of the light at switch locking position of the positive and negative rotation of the motors withching box.
Place the cover screw in the screw of the switching box.
- Put the crystal lamp cover inside the lamp holder and lock the crystal lamp cover with the outer ring of the lamp holder.
- Screw the bulb into the lamp holder(E26*3PCS*MAX40W)


Install the hanging part of the ceiling fan




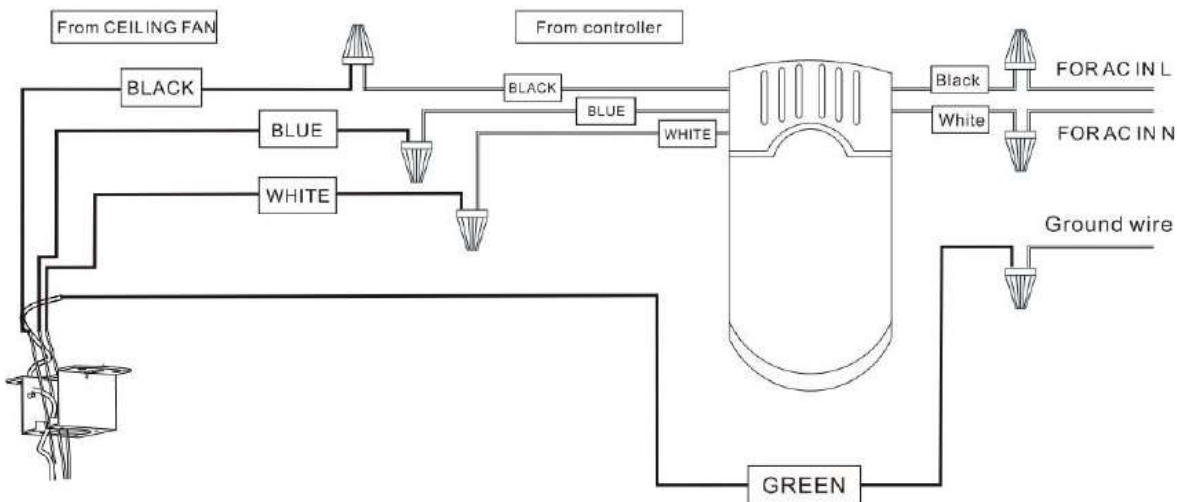
-  **WARNING :** Each wire not supplied with this fan is designed to accept up to one 12-gauge house wire and two wires from the fan. If you have larger than 12-gauge house wiring or more than one house wire to connect to the fan wiring, consult an electrician for the proper size wire nuts to use.
-  **WARNING:** Remove the rubber motor stops on the bottom of the fan before installing the blades or testing the motor.
-  **IMPORTANT:** Use the plastic wire connectors(BB) supplied with your fan. Secure the connectors with electrical tape and ensure there are no loose strands or connections.

1. Making the electrical connections

 **WARNING:** Each wire not supplied with this fan is designed to accept up to one 12-gauge house wire and two wires from the fan. If you have larger than 12-gauge house wiring or more than one house wire to connect to the fan wiring, consult an electrician for the proper size wire nuts to use.

 **IMPORTANT:** Use the plastic wire connectors(BB) supplied with your fan. Secure the connectors with electrical tape and ensure there are no loose strands or connections.

 **WARNING:** Remove the rubber motor stops on the bottom of fan before installing the blades or testing the motor.

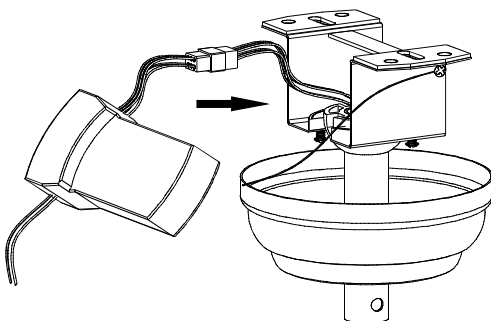


- The motor White wire to the white "TO MOTOR N" wire from Receiver with a wire nut.
- The motor Black wire to the Black "TO MOTOR L" wire from Receiver with a wire nut.
- The lamp Blue wire to the Blue "TO LIGHT" wire from Receiver with a wire nut.
- The White wire from Outlet Box to the red "AC IN N" wire from Receiver with a wire nut.
- The Black wire from Outlet Box to the red "AC IN L" wire from Receiver with a wire nut.
- Connect the supply ground wire to green ground wire from canopy and the green ground wire from the mounting bracket together using a wire nut.
- Tuck all wire nuts and wires carefully up into the Outlet Box, EXCEPT antenna, which should remain outside Outlet Box.

Assembly - Hanging the Fan(continued)

Preparing for mounting

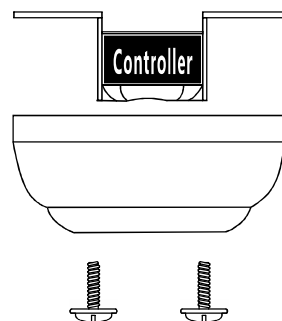
Install remote control



1. Carefully push the canopy to the bottom of the mounting bracket, make two sliding holes aligned to the two prominent screws on the mounting bracket, and then turn clockwise until tight.

2. Push the canopy ring to the bottom of the canopy, slide the inner holes aligned to the two prominent screws on the mounting bracket again, and turn the canopy ring clockwise until tight.

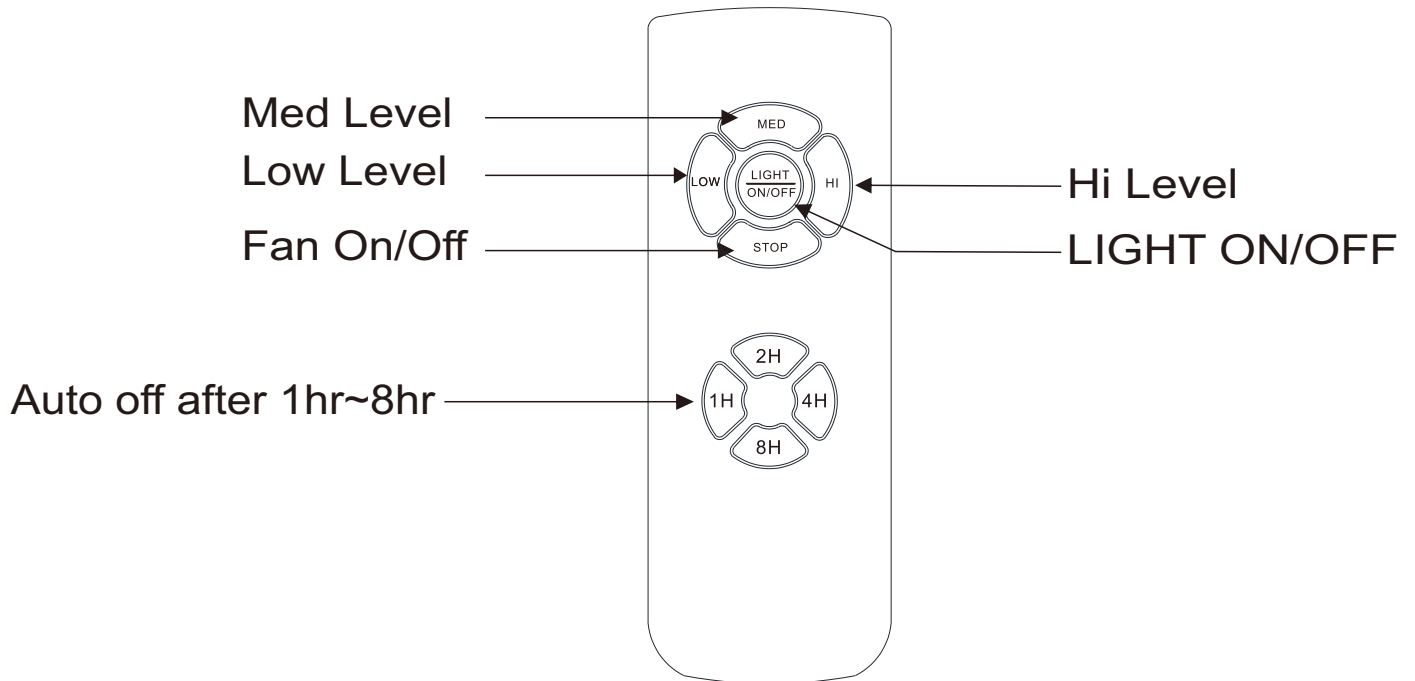
Preparing for mounting



1: Remove the mounting bracket from the canopy by loosening the two canopy screws located in the L shaped slots

2: Remove and save the two canopy screws in the round holes. This will enable you to remove the mounting bracket

Use of remote control



- LOW FanSpeed Low Level
 - MED FanSpeed Middle Level
 - HI FanSpeed High level
 - STOP FanSTOP
-

LIGHT
ON/OFF LIGHT NO/OFF

- 1H Auto off after 1hr
 - 2H Auto off after 2hr
 - 4H Auto off after 4hr
 - 8H Auto off after 8hr
-

Troubleshooting

Problem	Solution
The fan will not start	<ul style="list-style-type: none"> ▪ Check the main and branch circuit fuses or breakers. ▪ Check the line wire connections to the fan and switch wire connections in the switch housing. <hr/> <ul style="list-style-type: none"> ▪ Ensure all motor housing screws are snug. ▪ Ensure the screws that attach the fan blade bracket to the motor hub are tight. ▪ Ensure the wire nut connections are not rattling against each other or the interior wall of the switch housing. ▪ Allow a 24-hour "breaking in" period. Most noises associated with a new fan disappear during this time. ▪ If you are using the Ceiling Fan light kit, ensure the screws securing the glassware are tight. <p>Check that the light bulbs are also secure.</p> <ul style="list-style-type: none"> ▪ Ensure the canopy is a short distance from the ceiling. It should not touch the ceiling. ▪ Ensure your outlet box is secure and rubber isolator pads were used between the mounting plate and outlet box.
The fan wobbles.	<ul style="list-style-type: none"> ▪ Check that all blades and blade arm screws are secure. ▪ Most fan wobble problems are caused when blade levels are unequal. ▪ Check this level by selecting a point on the ceiling above the tip of the blades. ▪ Measure from a point on the center of each blade to the point on the ceiling. Measure this distance.▪ Rotate the fan until the next blade is positioned for measurement. ▪ Repeat for each blade. Any measurement deviation should be within 1/8 in. ▪ Run the fan for ten minutes. If the fan continues to wobble please contact Customer Service.

USE AND CARE GUIDE

EL2973497AAA