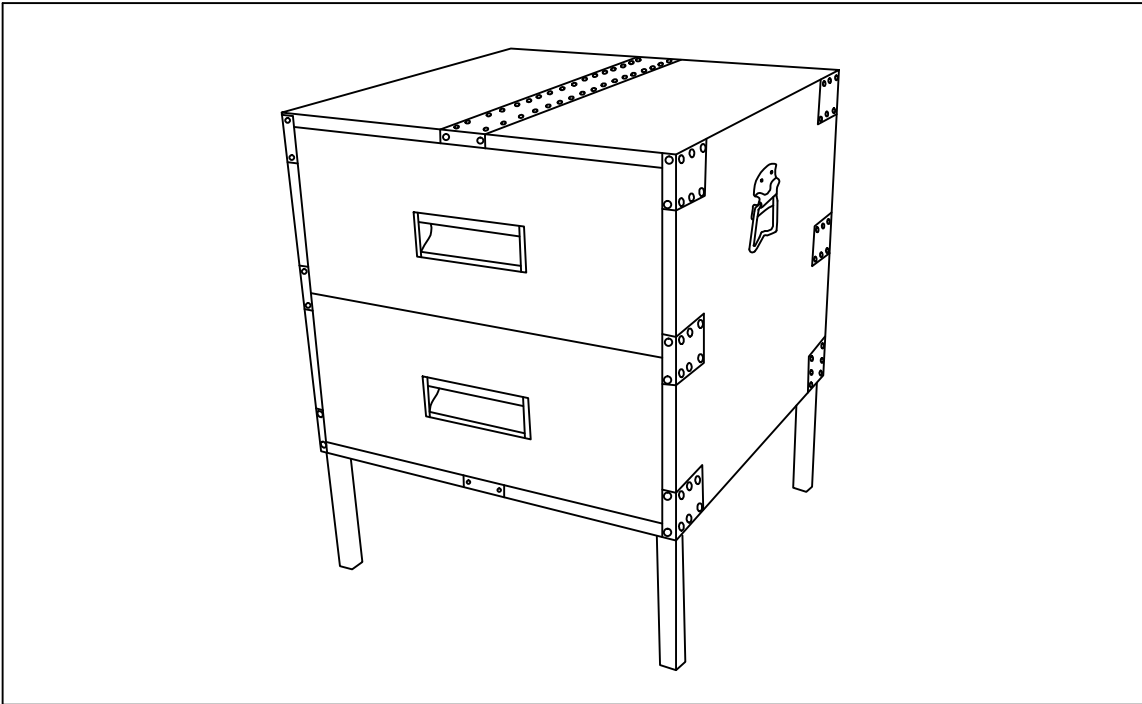
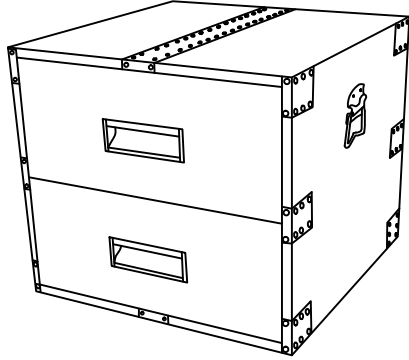
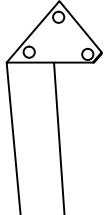


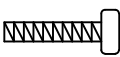
Assembly Instructions



Parts List

lable	Picture	Description	Qty
A			1
B			4

Hardware List

lable	Picture	Description	Size	Qty
H-1		Bolt	M6x15 mm	12

Tool List

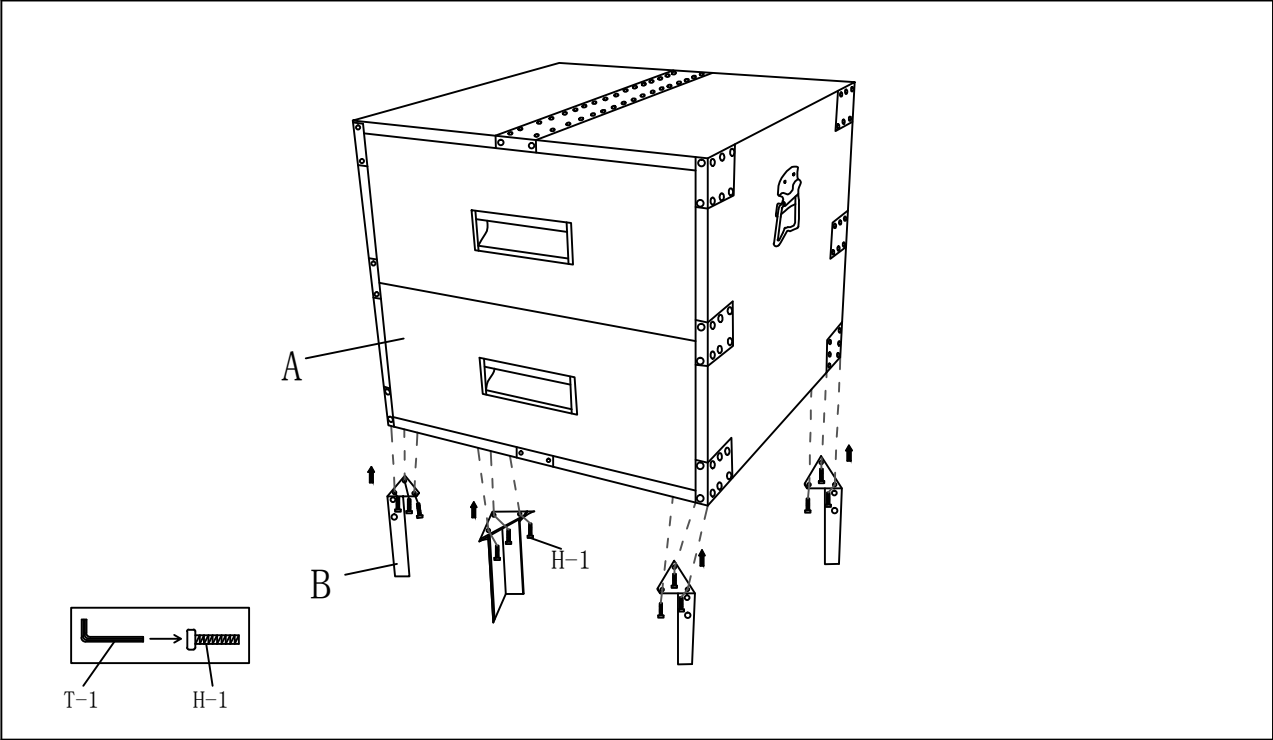
lable	Picture	Description	Qty
T-1		Allen Key	1

Assembly Steps

ATTENTION:

DO NOT COMPLETELY TIGHTEN ANY SCREWS UNTIL ALL PARTS ARE IN PLACE

Step 1



Step 2

