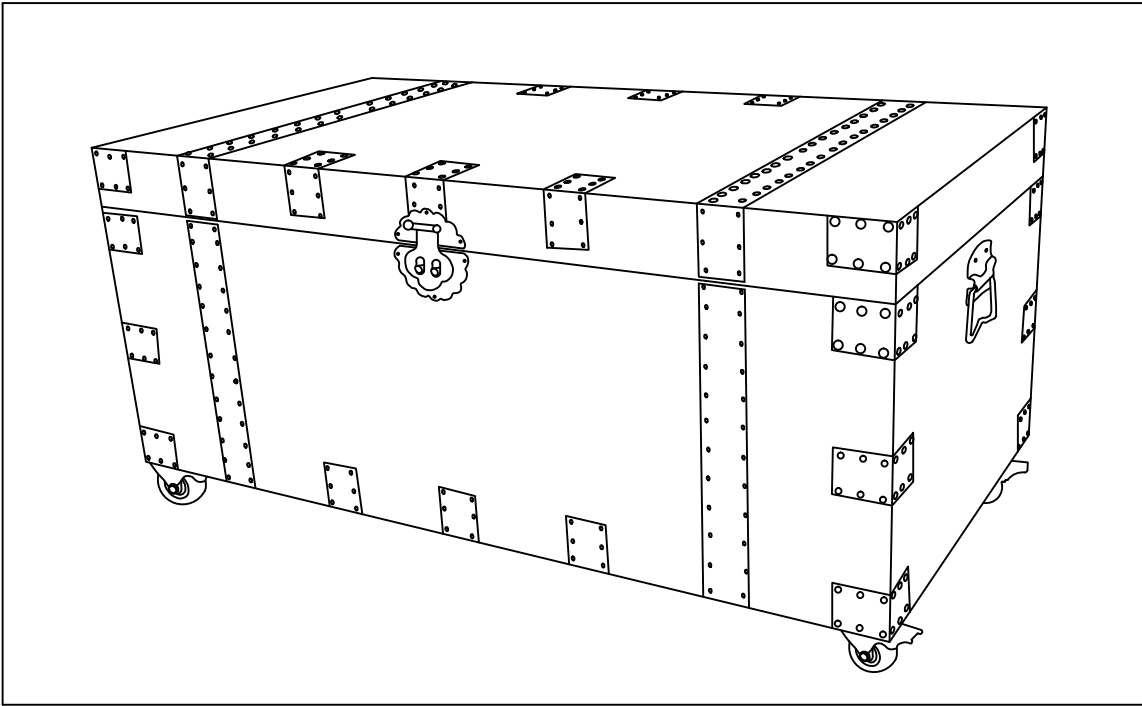
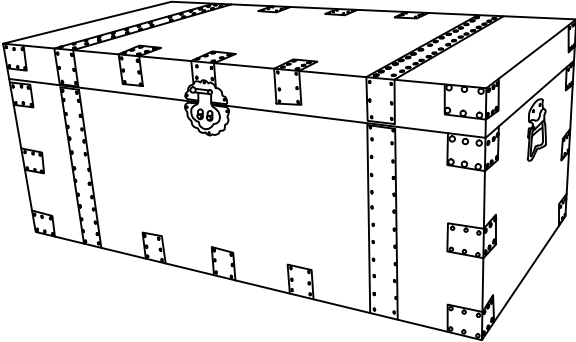




Assembly Instructions



Parts List

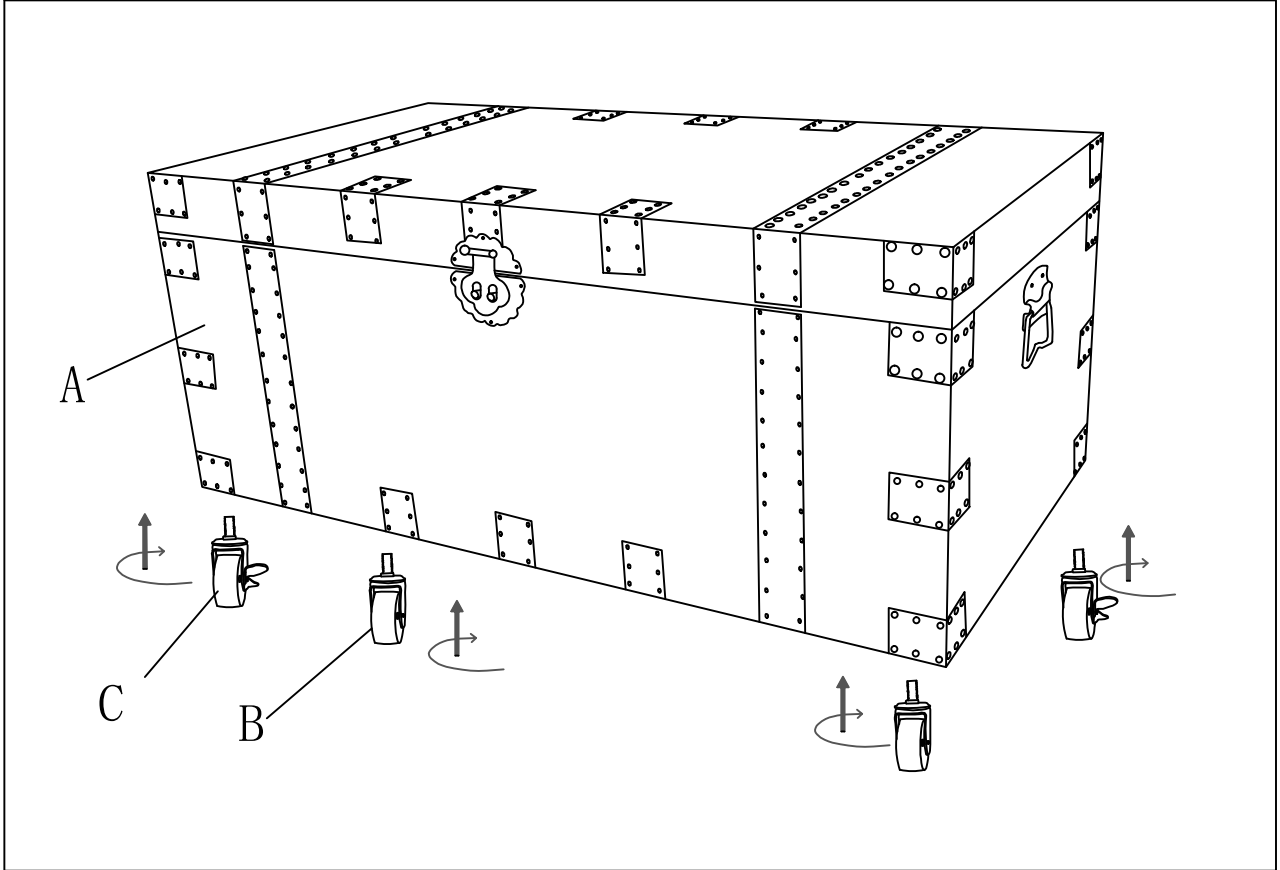
Label	Picture	Description	Qty
A			1
B			2
C		include speed reducer (install along the diagonal)	2

Assembly Steps

ATTENTION:

DO NOT COMPLETELY TIGHTEN ANY SCREWS UNTIL ALL PARTS ARE IN PLACE

Step 1



Step 2

