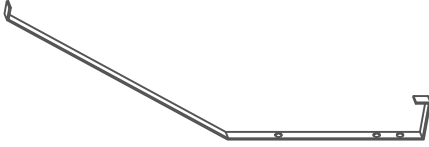
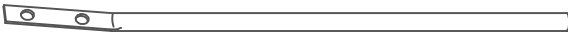
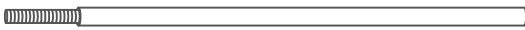

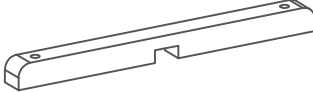
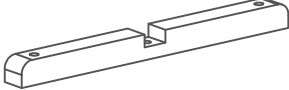






Assembly Instructions




Parts List

| Label | Picture | Qty |
|-------|---|-----|
| A |  | 4 |
| B |  | 4 |
| C |  | 8 |
| D |  | 1 |
| E |  | 1 |
| F |  | 1 |

Hardware List

| Label | Picture | Description | Size | Qty |
|-------|---|-------------|----------|-----|
| H-1 |  | Bolt | M6x15 mm | 4 |
| H-2 |  | Bolt | M6x20 mm | 8 |
| H-3 |  | Bolt | M6x25 mm | 1 |
| H-4 |  | Bolt | M6x45 mm | 4 |

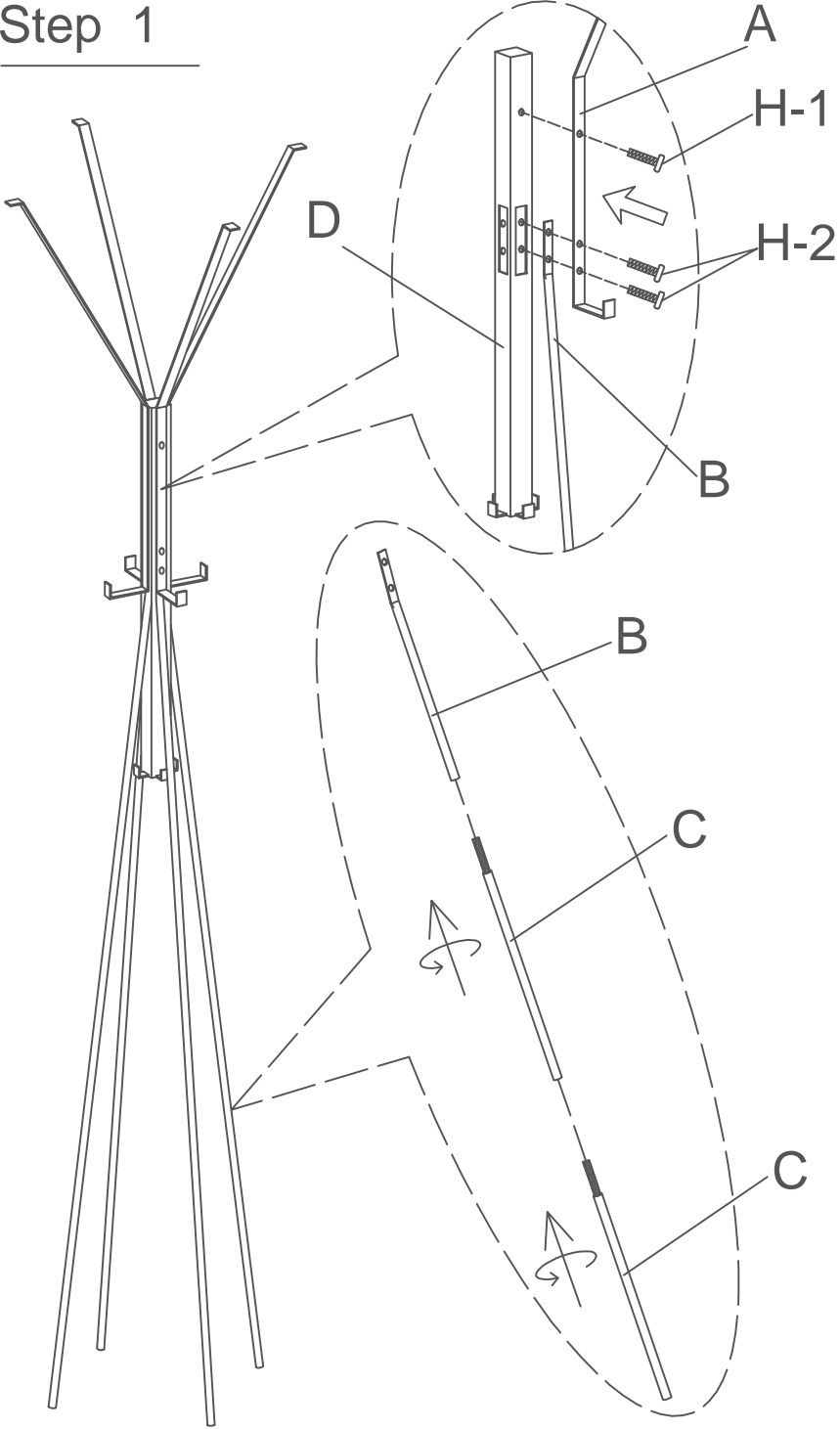
Tool List

| Label | Picture | Description | Size | Qty |
|-------|---|-------------|-------|-----|
| T-1 |  | Allen Key | φ4 mm | 1 |

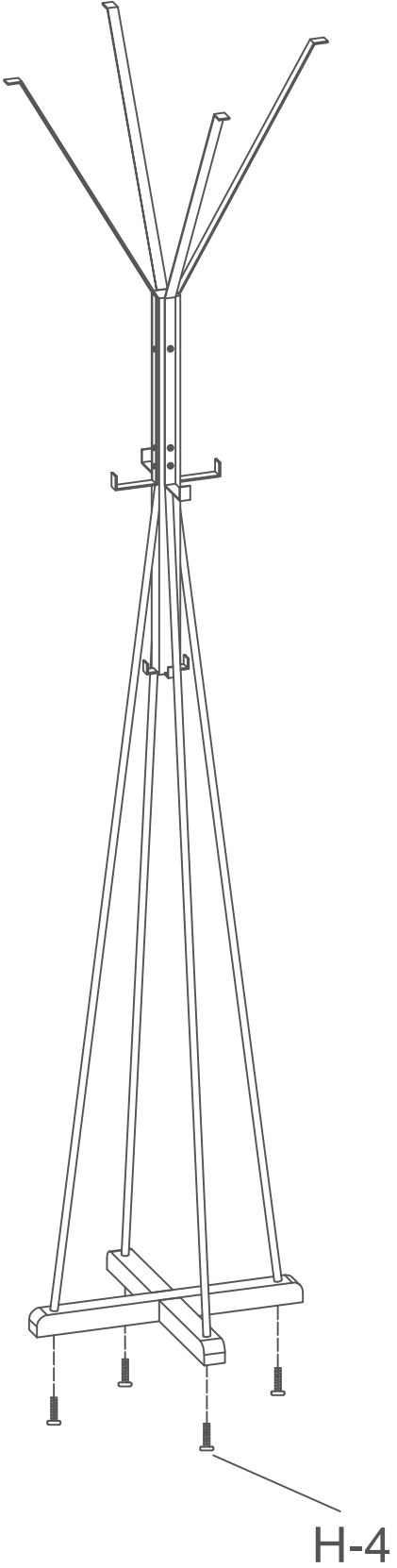
Assembly Steps

ATTENTION:
DO NOT COMPLETELY TIGHTEN ANY SCREWS UNTIL ALL PARTS ARE IN PLACE

Step 1



Step 3



Step 2

