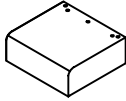






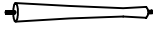







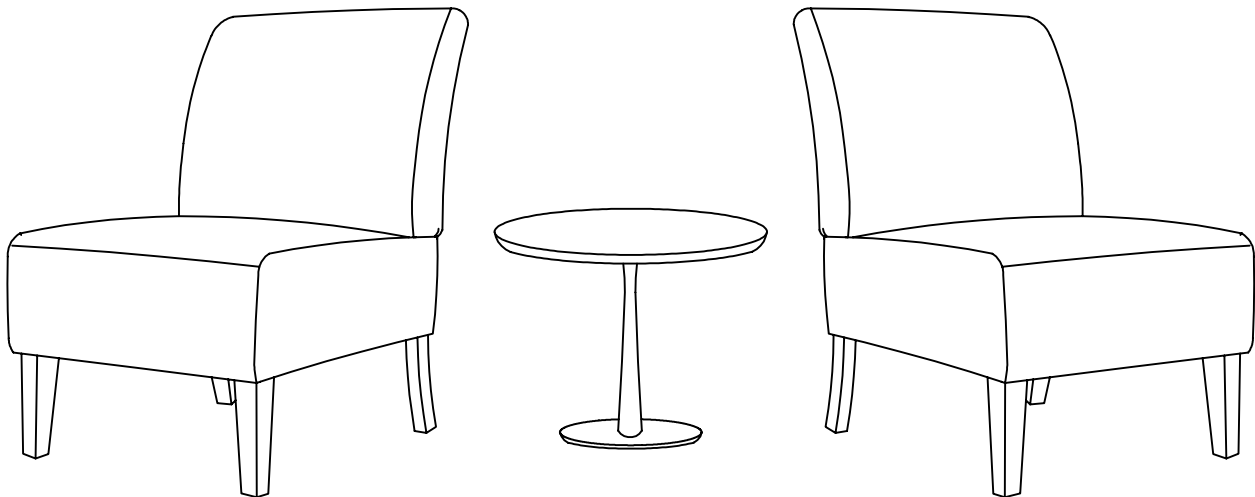
ASSEMBLY INSTRUCTION

Parts List

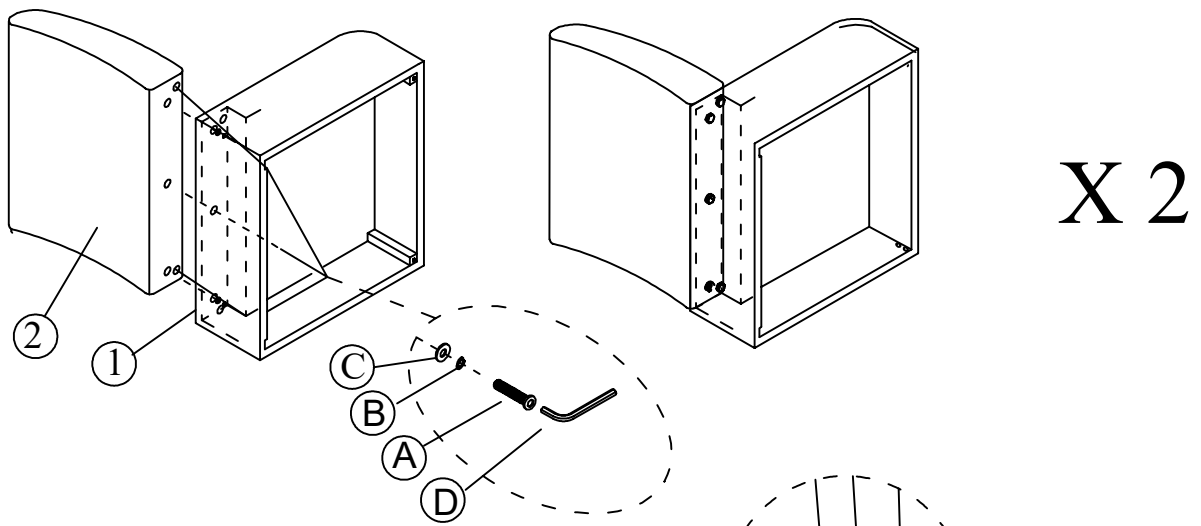
NO.	DESCRIPTION	SKETCH	Q'TY	NO.	DESCRIPTION	SKETCH	Q'TY
1	Seat Frame		2PCS	2	Back Cushion		2PCS
3	Front Left Leg		2PCS	4	Back Leg		4PCS
5	Front Right Leg		2PCS	6	Table		1PC
7	Base		1PC	8	Supporting Rod		1PC

Hardware List

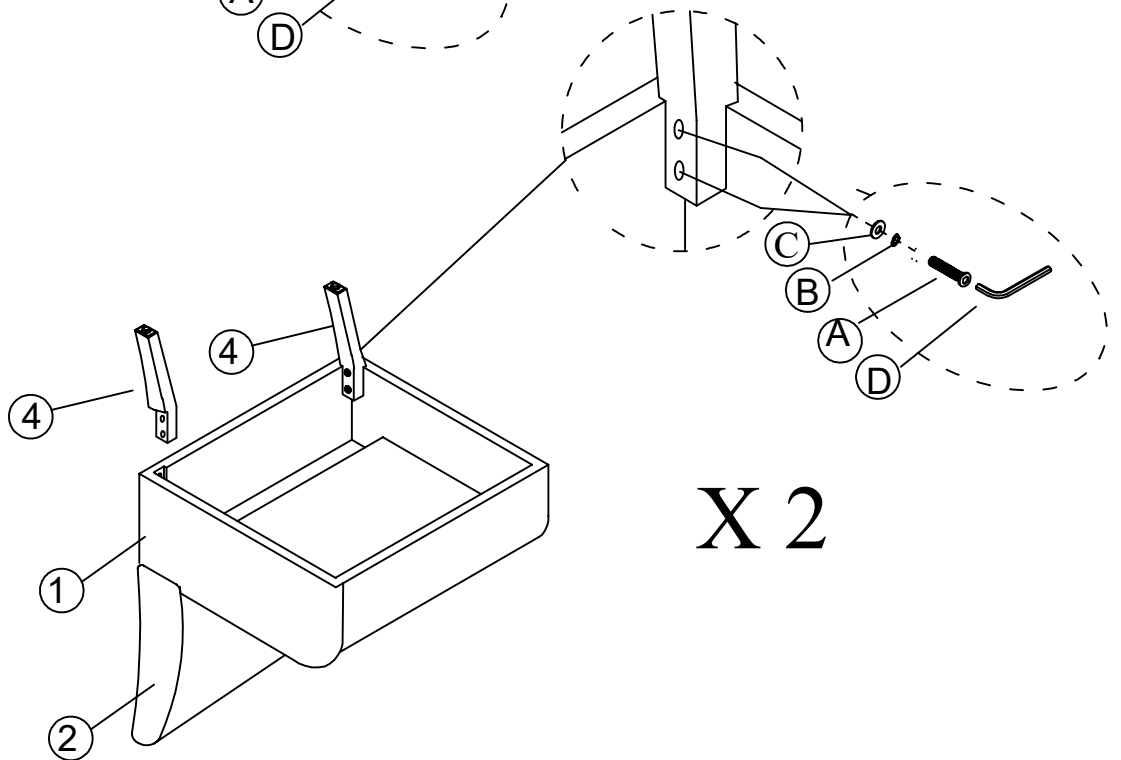
NO.	DESCRIPTION	SKETCH	Q'TY	NO.	DESCRIPTION	SKETCH	Q'TY
A	Bolt		26PCS	B	Lock Washer		26PCS
C	Flat Washer		26PCS	D	Allen Waench		1PC
E	Adjustable Foot		4PCS				



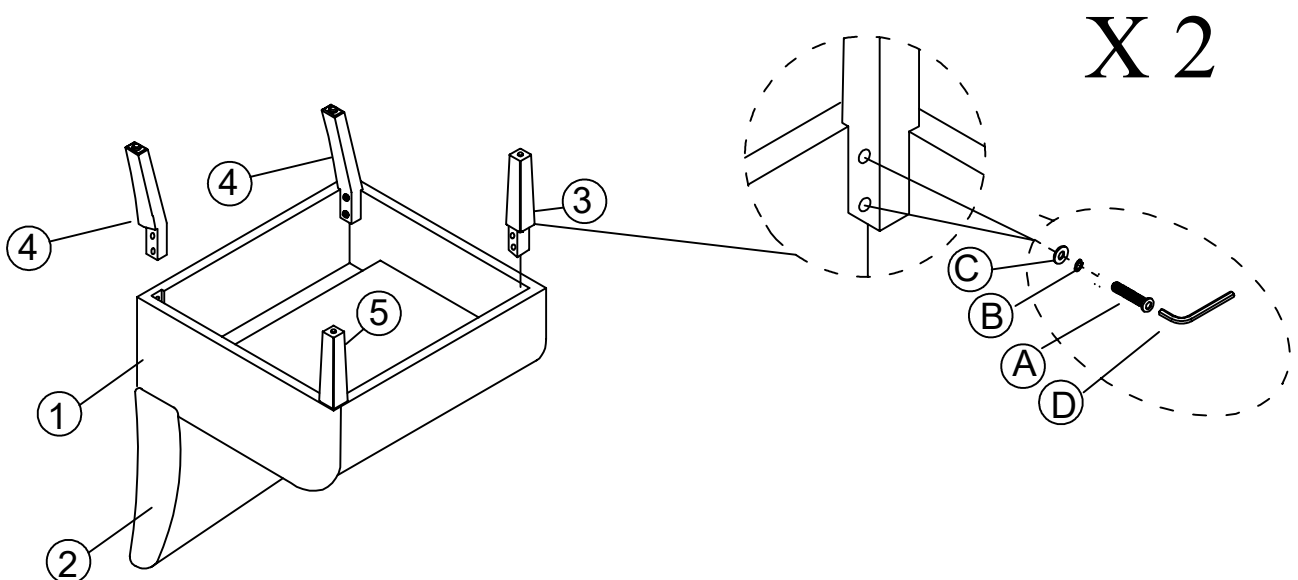
STEP 1



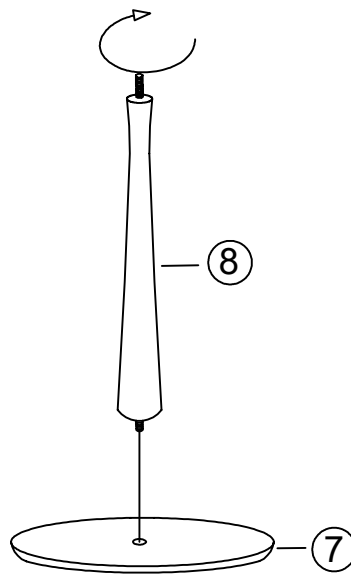
STEP 2



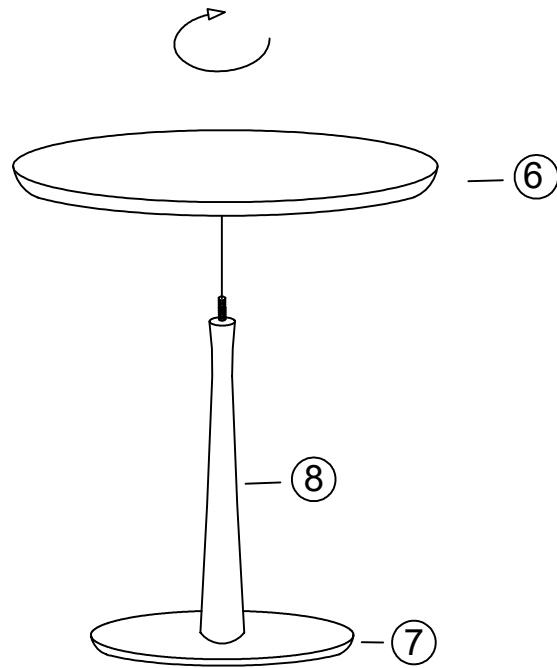
STEP 3



STEP 4



STEP 5



STEP 6

