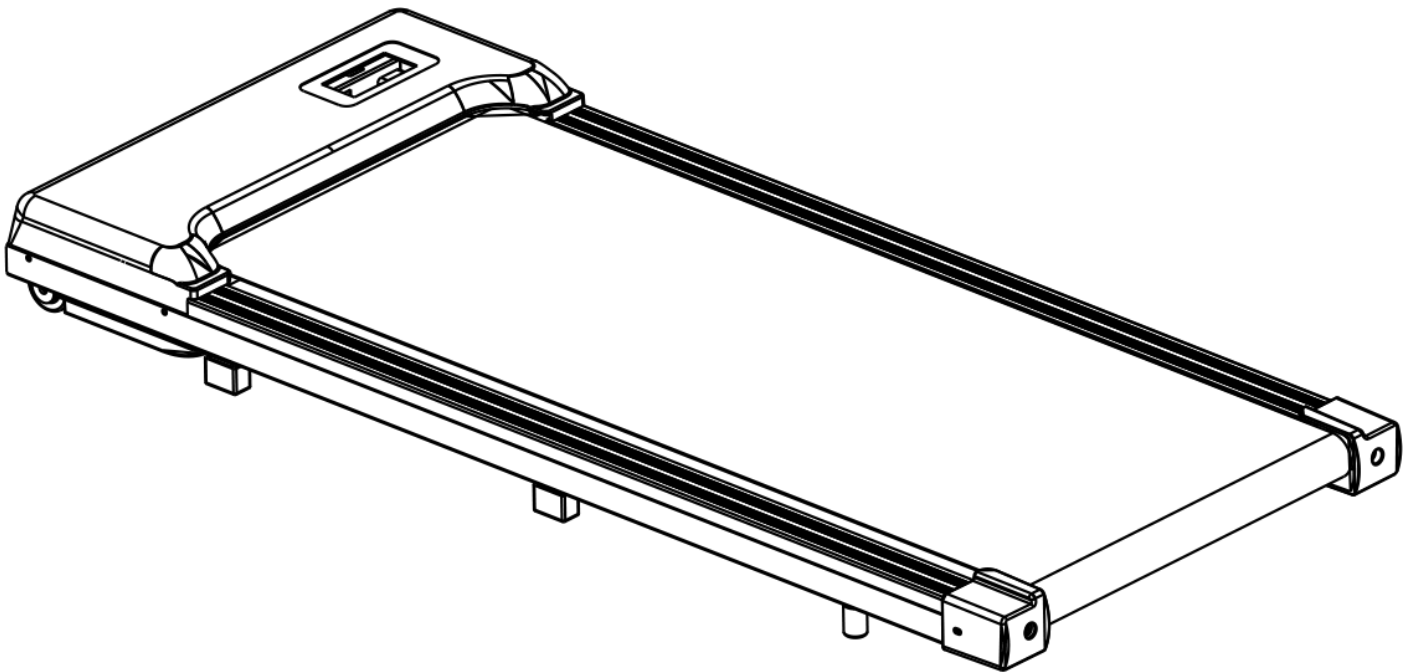


Walking Pad

Under Desk Treadmill

User Manual



Read all instructions carefully before using the product and retain the user manual for future reference.

PLEASE DO NOT RETURN TO STORE



Please do not return this product to the retailer!!

We are able to assist you in ANY way.

If you find that you have any trouble with assembly or missing or damaged parts, please contact the seller

Content

Precautions	1
Parts List	2
Assembly Instructions	3
Operation Guide	4
Remote Control	5
Adjustment & Maintenance	6
Exercise Programs	7
Error Messages & Solutions	8
After Sales Service	9

Precautions

 **Important: Read all instructions before using this treadmill.**

Safety

- * The equipment is for home use rather than commercial use.
- * The walking pad may not be used by persons overweight.
- * Please don't use machine with illness, fatigue and drunk.
- * Please place the product on a flat and solid place to avoid falling. If necessary, use a rubber mat underneath to avoid slipping.
- * Keep children and pets away from the equipment. The equipment is designed for adult.
- * Keep it on a clean and dry place to avoid rusting and other problems we can't control.
- * It is strongly recommended that you wear suitable clothing and footwear.
- * If you feel unwell during using the treadmill, please stop using it immediately and consult your doctor for instructions before next use.
- * For your safety, you must keep at least 1 meter away from anything around.
- * Please warm up before using the treadmill to avoid sports injuries.
- * Cut off the power after you use the treadmill.

Maintenance

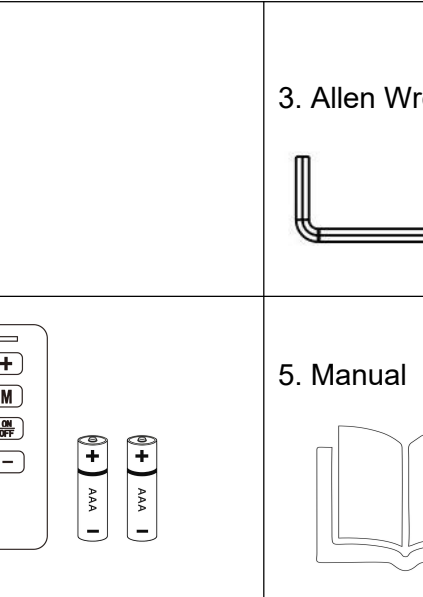


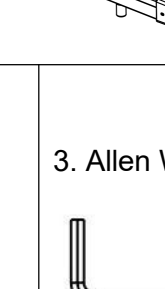
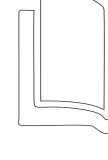
- * Regularly check that elements fastened with nuts and bolts are correctly tightened.
- * To maintain the level of safety, the equipment must be regularly inspected. It is vital that any faulty parts are replaced and that it is not used until completely repaired.
- * As sweat is very corrosive, do not allow it to come into contact with the enameled or chromed parts of the equipment, particularly the computer. Immediately wipe the equipment after training. The enameled parts can be cleaned using a damp sponge. All aggressive or corrosive products should be avoided.

Services:

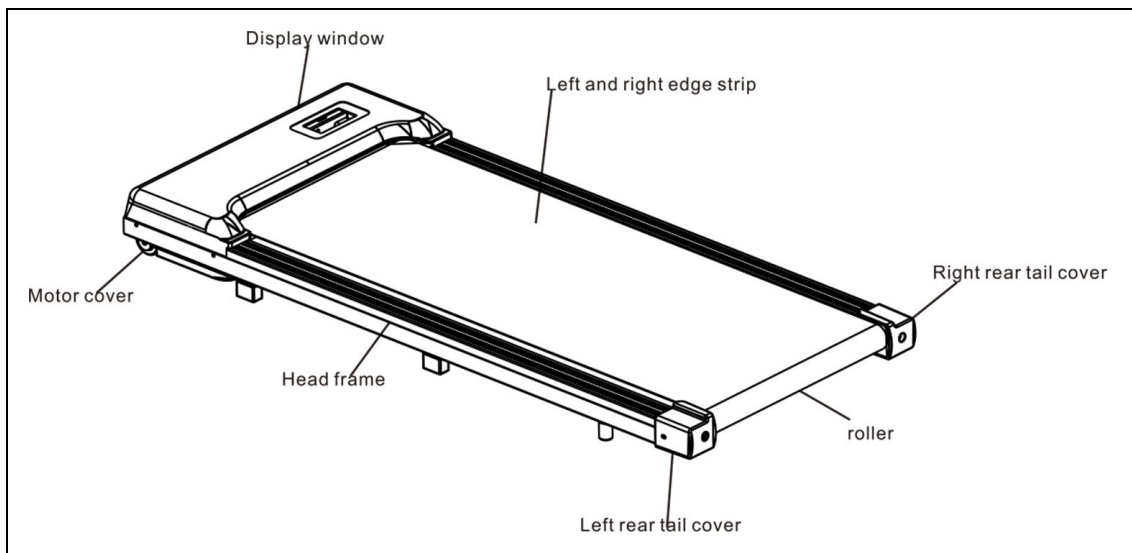
- * The guarantee applies to normal use by a private individual at home. Contact the seller if you have any trouble with this product.

Parts List

Notice: If any part is missing, distorted or broken when you receive the package, please contact us.

 <p>1. Treadmill Main Body</p>	
<p>2. Lubricant</p> 	<p>3. Allen Wrench #5</p> 
<p>4. Remote Control (1.5V AAA Battery x 2)</p> 	<p>5. Manual</p> 

Product Brief



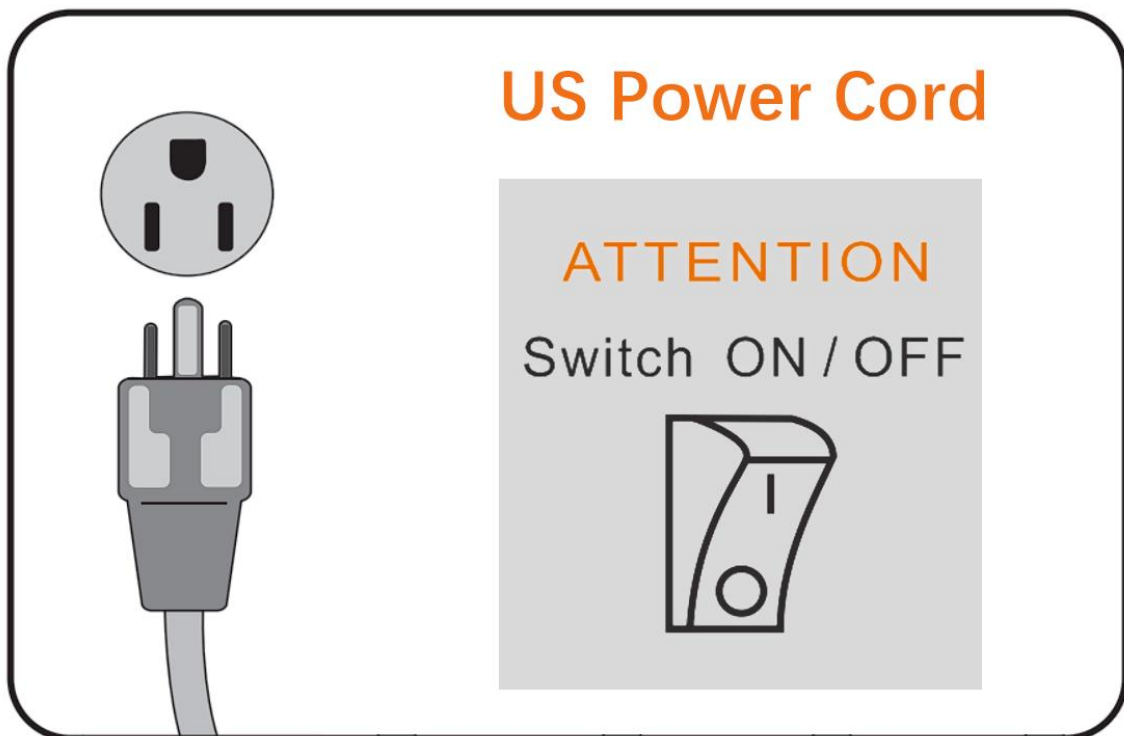
Assembly Instructions

Step 1: Unboxing & Contents Checking

This step requires a second person to help lift the master frame out from the carton, place all the contents neatly on a flat surface, check against the parts list and ensure there are no missing items.

The walking pad treadmill is 99% pre-assembled, the tool kits are prepared for maintenance.

Step 2: Connect the power cord, turn on the power switch to the **ON** position, operate the machine by remote control.



Operation Guide

CONTROL PANEL



Flip the Master Power Switch that is located at the front of treadmill to the ON position.

LED Display Description

- Speed display
- Time display
- Distance display
- Calorie display

Parameter Description

- Minimum display speed of 0.6 MPH
- Maximum display speed of 4.0 MPH

SPEED	0.6 – 4.0 MPH
TIME	0:00-99:59 MIN
DISTANCE	0.00-99.00 MI
CALORIE	0.0-990 KCAL

Plug in the power, turn on the power switch. The display shows the program code first, then the beep will enter the manual standby mode after the full display: SPEED displays 0.0; TIME displays 0:00; DISTANCE displays 0.00; CALORIE displays 0.

 NOTE:

Always stand on the side rails when you start the treadmill, never start the treadmill while you are standing on the running belt.

Remote Control

The remote control was already paired to treadmill before delivery, it can be used immediately, no need to pair it again.

1. Remote control button description:

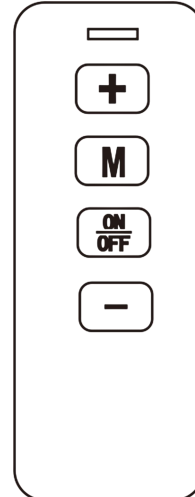
- ON/ OFF

- M (Mode)



- Speed “+” (short-cut key)

- Speed “-” (short-cut key)



2. Remote control function and operation instructions

- **Start Function – ON button:** Start the treadmill

Operation: The PCB controller is in standby mode, press the button to start the treadmill.

- **Stop Function – OFF button:** Stop the treadmill

Operation: Press the button at any time to stop the treadmill.

- **Speed “+” Function:** Adjust speed value in the running state

Operation: When start the treadmill, press the “+” buttons to adjust the speed by 0.1MPH each time, speed keeps increasing when press the buttons for more than 1 second.

- **Speed “-” Function:** Adjust speed value in the running state

Operation: When start the treadmill, press the “-” buttons to adjust the speed by 0.1MPH each time, speed keeps decreasing when press the buttons for more than 1 second.

- **Mode Function:** This button is used to choose below 4 modes as your needs.

*SPEED: This mode displays the current speed value.

*TIME: This mode displays the time you have run.

*DISTANCE: This mode displays the distance you have run.

*CALORIES: This mode displays the calories you have burned during your exercise.

Attention: After acceleration and deceleration, the monitor will automatically switch the mode in turns.

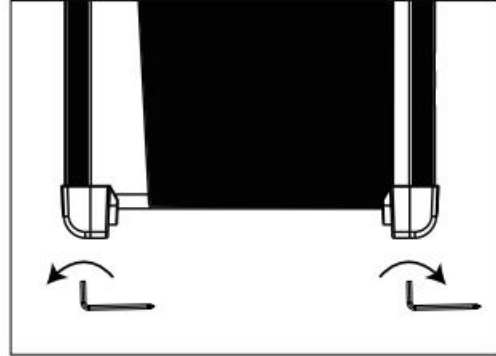
Adjustment & Maintenance

Adjustment of the running belt

The running belt may deflect to one side during transportation, please adjust the running belt as follows.

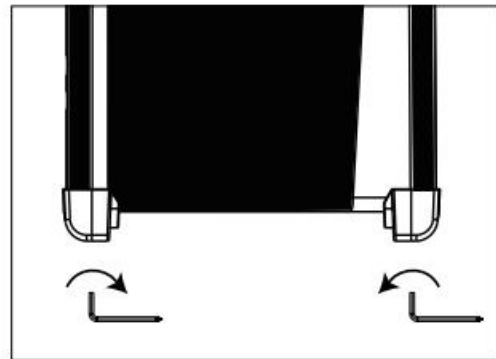
1) If the **left** gap of the running belt is too big, please keep the treadmill running at the slowest speed.

Then screw the **left** adjustment bolt **counter-clockwise** and the **right** adjustment bolt **clockwise** in turns until the belt is centered.



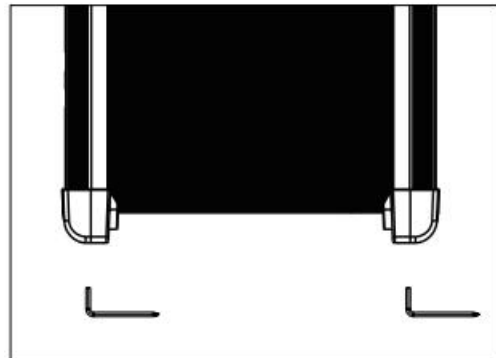
2) If the **right** gap is big, please keep the treadmill running at the slowest speed.

Then screw the **left** adjustment bolt **clockwise** and the **right** adjustment bolt **counter-clockwise** in turns until the belt is centered.



3) If the belt is too tight, the belt may make noise. Please screw both adjustment bolts **counter-clockwise** in turns. And lube the running belt.

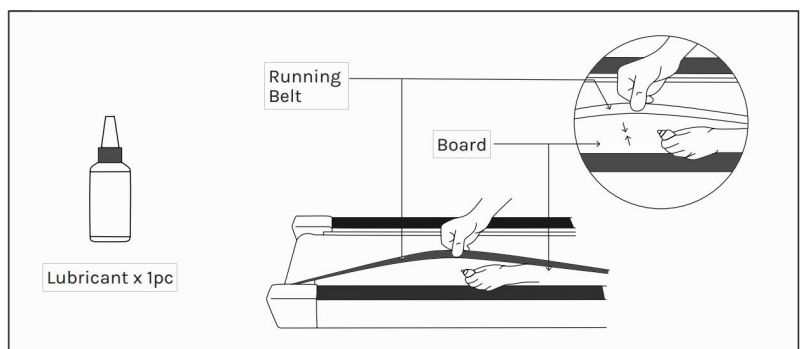
On the contrary, if the belt is too loose, the belt may slip, please screw both adjustment bolts **clockwise** in turns.



Apply the lubricant (Silicone lubricant)

The running belt/ deck plays a major role in the function and life of your treadmill, thus requiring periodic lubrication.

Please **DO NOT** over lubricate the running deck.

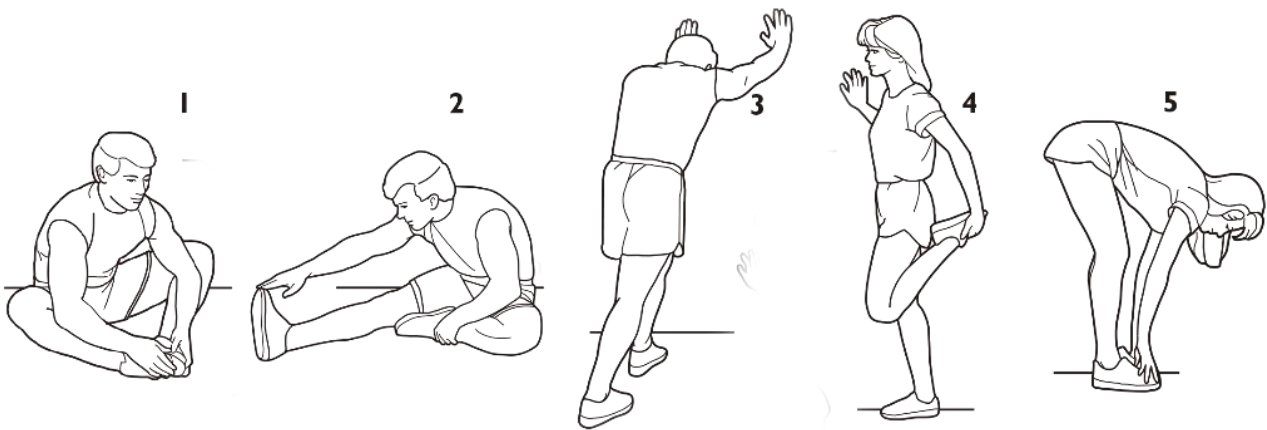


Exercise Programs

WARM UP

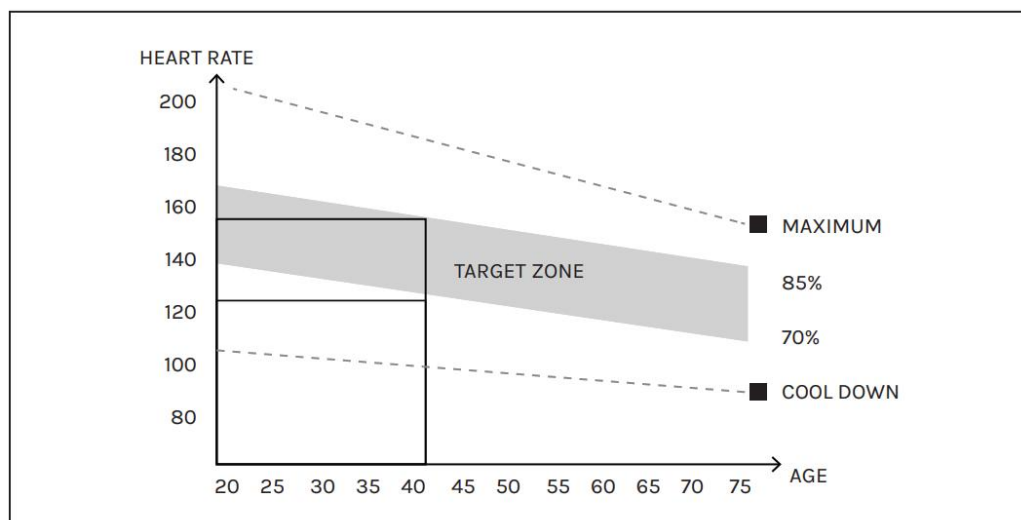
Start each workout with 5 to 10 minutes of stretching and some light exercises. A proper warm-up increases your body temperature, heart rate and circulation in preparation for exercise. Ease into your exercise. After warming up, increase the intensity to your desired exercise program. Be sure to maintain your intensity for maximum performance. Breathe regularly and deeply as you exercise.

- 1. Inner Thigh Stretch** - Sit with the soles of your feet together and your knees outward.
- 2. Hamstring Stretch** - Sit with one leg extended and bring the sole of the opposite foot toward you.
- 3. Calf/Achilles Stretch** - With one leg in front of the other, place your hands forward against a wall.
- 4. Quadriceps Stretch** - With one hand against a wall for balance, grasp one foot with the other hand.
- 5. Toe Touch Stretch** - Stand with your knees bent slightly and slowly bend forward from your hips.



COOL DOWN

Finish each workout with a light jog or walk for at least 1 minute. Then complete 5 to 10 minutes of stretching to cool down. This will increase the flexibility of your muscles and will help prevent postexercise problems



This is how your pulse should behave during general fitness exercise. Remember to warm up and cool down for a few minutes.

Error Messages & Solutions

ERROR	FAILURE DESCRIPTION	SOLUTIONS
E1	After turning on the power, the communication between the monitor and the lower control line is abnormal.	The monitor displays the fault code, and the buzzer sounds 3 times. Possible cause: The communication between the electronic control system and the monitor is blocked. Check whether the circuit connecting the electronic meter is intact. If it is damaged, replace the connecting wire.
E2	The voltage on the motor is not detected by the controller	1. Confirm whether the motor cable has been connected well. 2. Confirm whether the sensor plug is not plugged well or damaged, plug it or replace it. 3. If the motor was damaged, replace the motor.
E3	No speed sensor signal	Confirm whether the motor cable is connected correctly, if not, please reconnect the motor cable. Confirm whether the controller any smells, if yes, please replace the controller.
E5	Overcurrent protection	If the load exceeds the current limit, there is a protective system. If a part of the treadmill is stuck, the system will protect itself too. Please check the current and voltage. And confirm whether something on the treadmill is stuck.
E6	Explosion protection	Confirm whether the voltage is under 50% of the normal voltage. If yes, please re-test with the right voltage to make sure the controller and motor wires are normal.

General Trouble Shooting

PROBLEM	POTENTIAL CAUSES	CORRECTIONS
Treadmill will not start.	1. Treadmill not plugged in. 2. Circuit breaker in the house has been tripped. 3. Treadmill circuit breaker has been tripped.	1. Treadmill plugged in. 2. Circuit breaker in the house has been tripped. 3. Treadmill circuit breaker has been tripped.
Belt slips.	Belt not tight enough.	Adjust belt tension.
Belt hesitates when stepped on.	1. Not enough lubrication applied onto the running deck. 2. Belt is too tight.	1. Apply lubricant. 2. Adjust belt tension.

After Sales Service

To guarantee an efficient service of damaged or missing parts problem, make sure you have the following items before you contact our After Sales Service:

The name or **SKU reference of the product**.

The **PO number** shown on the main chassis or on the packing box.

We will try our best to solve the problem for you ASAP.
